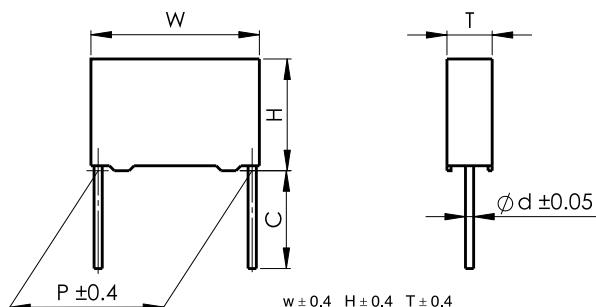


金属化聚丙烯膜电容器 Metallized polypropylene film capacitor(Box-type)

■ 外形图 Outline Drawing



■ 特点

- 金属化聚丙烯膜
- 高频损耗小
- 内部温升小
- 塑料外壳 (UL94 V-0), 阻燃环氧填充

■ 主要用途

- 广泛应用于高频、直流、交流和脉冲电路中
- 电视机、显示器 S 校正电路

■ 技术要求 Specifications

■ Features

- metallized polypropylene film
- Low loss at high frequency
- Small inherent temperature rise
- Plastic case (UL94 V-0), epoxy resin sealing

■ Typical application

- Widely used in high frequency, DC, AC and pulse circuits
- S-correction circuits for TV sets and monitors

| | | | | | | | |
|---|---|--------------|-------|--------|--------|--------|--------|
| 引用标准 Reference Standard | GB/T 10190(IEC 60384-16) | | | | | | |
| 气候类别 Climatic Category | 55/105/56 | | | | | | |
| 额定温度 Rated Temperature | 85℃ | | | | | | |
| 工作温度 Operating Temperature Range | -55℃ ~ 105℃ (+85℃ to +105℃: decreasing factor 1.25% per °C for U _R) | | | | | | |
| 额定电压 Rated Voltage | 160Vdc(90Vac), 250Vdc(160Vac), 400Vdc(220Vac), 630Vdc(250Vac) 1 000Vdc(400Vac), 1 600Vdc(600Vac), 2 000Vdc(700Vac) | | | | | | |
| 电容量范围 Capacitance Range | 0.00056μF ~ 15.0μF | | | | | | |
| 电容量偏差 Capacitance Tolerance | ± 2%(G), ± 3%(H), ± 5%(J), ± 10%(K), ± 20%(M) | | | | | | |
| 耐电压 Voltage Proof | 1.6U _R (5s) | | | | | | |
| 损耗角正切 Dissipation Factor | ≤ 10 × 10 ⁻⁴ (1kHz, 20℃) | | | | | | |
| 绝缘电阻 Insulation Resistance | R ≥ 100 000MΩ, C _N ≤ 0.33μF RC _N ≥ 30 000s, C _N > 0.33μF (20℃, 100V, 1min) | | | | | | |
| 最大脉冲爬升速率 Maximum Pulse Rise Time(dV/dt): 若实际工作电压 U 比额定电压 U _R 低, 电容器可工作在更高的 dV/dt 场合, 这样 dv/dt 允许值应为右表值乘以 U _R /U。 If the working voltage(U) is lower than the rated voltage(U _R), the capacitor can be worked at a higher dV/dt. In this case, the maximum allowed dV/dt is obtain by multiplying the right value with U _R /U. | U _R (V) | dV/dt (V/μs) | | | | | |
| | | P=5.0 | P=7.5 | P=10.0 | P=15.0 | P=22.5 | P=27.5 |
| | 160 | 110 | 310 | 190 | 110 | 65 | 55 |
| | 250 | 270 | 660 | 560 | 310 | 130 | 110 |
| | 400 | 440 | 900 | 780 | 600 | 300 | 130 |
| | 630 | 550 | 1 500 | 1 200 | 900 | 400 | 200 |
| | 1 000 | --- | --- | 2 200 | 2 000 | 800 | --- |
| | 1 600 | --- | --- | --- | 4 500 | 1 800 | --- |
| 2 000 | --- | --- | --- | 9 500 | 4 500 | --- | |



C32
MKP21 series

产品编码说明 Part number system

■ 18位产品代码如下：

The 18 digits part number is formed as follow:

| | | | | | | | | | | | | | | | | | |
|---|---|---|---|---|---|---|---|---|----|----|----|----|----|----|----|----|----|
| 1 | 2 | 3 | 4 | 5 | 6 | 7 | 8 | 9 | 10 | 11 | 12 | 13 | 14 | 15 | 16 | 17 | 18 |
| C | 3 | 2 | | | | | | | | | | | | | | | |

| | | | |
|---------|---------------------------------------|----------------|---|
| 第1~3位 | 型号代码 | Digit 1 to 3 | Series code |
| | C32= MKP21 | | C32= MKP21 |
| 第4~5位 | 直流额定电压 | Digit 4 to 5 | DC rated voltage |
| | 2C=160V 2E=250V 2G=400V 2J=630V | | 2C=160V 2E=250V 2G=400V 2J=630V |
| | 3A=1 000V 3C=1 600V 3D=2 000V | | 3A=1 000V 3C=1 600V 3D=2 000V |
| 第6~8位 | 标称容量 | Digit 6 to 8 | Rated capacitance value |
| | 举例：103=10 × 10 ³ pF=0.01μF | | For example: 103=10 × 10 ³ pF=0.01μF |
| 第9位 | 容量偏差 | Digit 9 | Capacitance tolerance |
| | G= ± 2%,H = ± 3%,J= ± 5% | | G= ± 2%,H = ± 3%,J= ± 5% |
| | K= ± 10%, M= ± 20% | | K= ± 10%, M= ± 20% |
| 第10位 | 引线脚距P | Digit 10 | Pitch |
| | 2=5.0mm 3=7.5mm 4=10.0mm | | 2=5.0mm 3=7.5mm 4=10.0mm |
| | 6=15.0mm 9=22.5mm B=27.5mm | | 6=15.0mm 9=22.5mm B=27.5mm |
| 第11位 | 内部特征码 | Digit 11 | Internal use |
| 第12~15位 | 引线加工和包装代码 | Digit 12 to 15 | Lead form and packaging code |
| 第16~18位 | 内部特征码 | Digit 16 to 18 | Internal use |

■ **Table 1 引线加工和包装代码 lead form and packaging code**

| 第 12 位 Digit 12 | | 第 13 位 Digit 13 | | 第 14 位 Digit 14 | | 第 15 位 Digit 15 | |
|-----------------|---|-----------------|---|-----------------|------------------|-----------------|--|
| 代码 Code | 说明 explanation | 代码 Code | 说明 explanation | 代码 Code | 说明 explanation | 代码 Code | 说明 explanation |
| A | 弹带包装 ammo-pack | 2 | F=5.0mm | 0 | 表示直脚 straight | 1 | 产品在连续的两个载带孔之间 each cap. Among two consecutive holes P3=12.7mm,H=18.5mm (For pitch=5.0/7.5mm) |
| | | 3 | F=7.5mm | | | 5 | P3=25.4mm;H=18.5mm (For pitch=10.0/15.0mm) (Detail parameter refer to pag 17) |
| | | 4 | F=10.0mm | | | | |
| | | 6 | F=15.0mm | | | | |
| C | 直脚 straight lead “C” in the figure above | 代码 Code | 说明 explanation | 0 | | 0 | 引线长度偏差 ± 0.5mm 或标准长度 Length tolerance ± 0.5mm Or standard length |
| | | 00 | 标准的引线长度 (18mm~26mm) standard lead length | | | | |
| | | 45 | 引线长度 4.5mm lead length 4.5mm | | | | |

■ 外形尺寸 Dimensions (mm)

| 160Vdc (90Vac) | | | | | | |
|------------------------------|------|------|-----|------|-----|--------------------|
| C _N (μ F) | W | H | T | P | d | Part number |
| 0.027 | 7.2 | 7.5 | 3.5 | 5.0 | 0.5 | C322C273-20****+++ |
| 0.033 | 7.2 | 7.5 | 3.5 | 5.0 | 0.5 | C322C333-20****+++ |
| 0.039 | 7.2 | 7.5 | 3.5 | 5.0 | 0.5 | C322C393-20****+++ |
| 0.047 | 7.2 | 9.5 | 4.5 | 5.0 | 0.6 | C322C473-20****+++ |
| 0.056 | 7.2 | 9.5 | 4.5 | 5.0 | 0.6 | C322C563-20****+++ |
| 0.068 | 7.2 | 9.5 | 4.5 | 5.0 | 0.6 | C322C683-20****+++ |
| 0.082 | 7.2 | 10.0 | 5.0 | 5.0 | 0.6 | C322C823-20****+++ |
| 0.10 | 7.2 | 10.0 | 5.0 | 5.0 | 0.6 | C322C104-20****+++ |
| 0.12 | 7.2 | 11.0 | 6.0 | 5.0 | 0.6 | C322C124-20****+++ |
| 0.15 | 7.2 | 11.0 | 6.0 | 5.0 | 0.6 | C322C154-20****+++ |
| 0.068 | 10.5 | 9.0 | 4.0 | 7.5 | 0.6 | C322C683-30****+++ |
| 0.082 | 10.5 | 9.0 | 4.0 | 7.5 | 0.6 | C322C823-30****+++ |
| 0.10 | 10.5 | 11.0 | 5.0 | 7.5 | 0.6 | C322C104-30****+++ |
| 0.12 | 10.5 | 11.0 | 5.0 | 7.5 | 0.6 | C322C124-30****+++ |
| 0.15 | 10.5 | 12.0 | 6.0 | 7.5 | 0.6 | C322C154-30****+++ |
| 0.18 | 10.5 | 12.0 | 6.0 | 7.5 | 0.6 | C322C184-30****+++ |
| 0.082 | 13.0 | 9.0 | 4.0 | 10.0 | 0.6 | C322C823-40****+++ |
| 0.10 | 13.0 | 9.0 | 4.0 | 10.0 | 0.6 | C322C104-40****+++ |
| 0.12 | 13.0 | 11.0 | 5.0 | 10.0 | 0.6 | C322C124-40****+++ |
| 0.15 | 13.0 | 11.0 | 5.0 | 10.0 | 0.6 | C322C154-40****+++ |
| 0.18 | 13.0 | 11.0 | 5.0 | 10.0 | 0.6 | C322C184-40****+++ |
| 0.22 | 13.0 | 12.0 | 6.0 | 10.0 | 0.6 | C322C224-40****+++ |
| 0.27 | 13.0 | 12.0 | 6.0 | 10.0 | 0.6 | C322C274-40****+++ |
| 0.18 | 17.5 | 11.0 | 5.0 | 15.0 | 0.8 | C322C184-60****+++ |
| 0.22 | 17.5 | 11.0 | 5.0 | 15.0 | 0.8 | C322C224-60****+++ |
| 0.27 | 17.5 | 11.0 | 5.0 | 15.0 | 0.8 | C322C274-60****+++ |
| 0.33 | 17.5 | 11.0 | 5.0 | 15.0 | 0.8 | C322C334-60****+++ |
| 0.39 | 17.5 | 12.0 | 6.0 | 15.0 | 0.8 | C322C394-60****+++ |
| 0.47 | 17.5 | 12.0 | 6.0 | 15.0 | 0.8 | C322C474-60****+++ |
| 0.56 | 17.5 | 13.5 | 7.5 | 15.0 | 0.8 | C322C564-60****+++ |
| 0.68 | 17.5 | 13.5 | 7.5 | 15.0 | 0.8 | C322C684-60****+++ |

| 160Vdc (90Vac) | | | | | | |
|------------------------------|------|------|------|------|-----|--------------------|
| C _N (μ F) | W | H | T | P | d | Part number |
| 0.82 | 17.5 | 14.5 | 8.5 | 15.0 | 0.8 | C322C824-60****+++ |
| 1.0 | 17.5 | 16.0 | 10.0 | 15.0 | 0.8 | C322C105-60****+++ |
| 1.2 | 17.5 | 16.0 | 10.0 | 15.0 | 0.8 | C322C125-60****+++ |
| 1.5 | 17.5 | 19.0 | 11.0 | 15.0 | 0.8 | C322C155-60****+++ |
| 1.8 | 17.5 | 19.0 | 11.0 | 15.0 | 0.8 | C322C185-60****+++ |
| 0.47 | 26.5 | 15.0 | 6.0 | 22.5 | 0.8 | C322C474-90****+++ |
| 0.56 | 26.5 | 15.0 | 6.0 | 22.5 | 0.8 | C322C564-90****+++ |
| 0.68 | 26.5 | 15.0 | 6.0 | 22.5 | 0.8 | C322C684-90****+++ |
| 0.82 | 26.5 | 16.0 | 7.0 | 22.5 | 0.8 | C322C824-90****+++ |
| 1.0 | 26.5 | 16.0 | 7.0 | 22.5 | 0.8 | C322C105-90****+++ |
| 1.2 | 26.5 | 17.0 | 8.5 | 22.5 | 0.8 | C322C125-90****+++ |
| 1.5 | 26.5 | 17.0 | 8.5 | 22.5 | 0.8 | C322C155-90****+++ |
| 1.8 | 26.5 | 18.5 | 10.0 | 22.5 | 0.8 | C322C185-90****+++ |
| 2.2 | 26.5 | 20.0 | 11.0 | 22.5 | 0.8 | C322C225-90****+++ |
| 2.7 | 26.5 | 22.0 | 12.0 | 22.5 | 0.8 | C322C275-90****+++ |
| 3.3 | 26.5 | 22.0 | 12.0 | 22.5 | 0.8 | C322C335-90****+++ |
| 1.0 | 32.0 | 18.0 | 9.0 | 27.5 | 0.8 | C322C105-B0****+++ |
| 1.2 | 32.0 | 18.0 | 9.0 | 27.5 | 0.8 | C322C125-B0****+++ |
| 1.5 | 32.0 | 18.0 | 9.0 | 27.5 | 0.8 | C322C155-B0****+++ |
| 1.8 | 32.0 | 18.0 | 9.0 | 27.5 | 0.8 | C322C185-B0****+++ |
| 2.2 | 32.0 | 18.0 | 9.0 | 27.5 | 0.8 | C322C225-B0****+++ |
| 2.7 | 32.0 | 20.0 | 11.0 | 27.5 | 0.8 | C322C275-B0****+++ |
| 3.3 | 32.0 | 20.0 | 11.0 | 27.5 | 0.8 | C322C335-B0****+++ |
| 3.9 | 32.0 | 22.0 | 13.0 | 27.5 | 0.8 | C322C395-B0****+++ |
| 4.7 | 32.0 | 28.0 | 14.0 | 27.5 | 0.8 | C322C475-B0****+++ |
| 5.6 | 32.0 | 24.5 | 15.0 | 27.5 | 0.8 | C322C565-B0****+++ |
| 6.8 | 32.0 | 33.0 | 18.0 | 27.5 | 0.8 | C322C685-B0****+++ |
| 8.2 | 32.0 | 33.0 | 18.0 | 27.5 | 0.8 | C322C825-B0****+++ |
| 10.0 | 32.0 | 33.0 | 18.0 | 27.5 | 0.8 | C322C106-B0****+++ |
| 12.0 | 32.0 | 37.0 | 22.0 | 27.5 | 0.8 | C322C126-B0****+++ |
| 15.0 | 32.0 | 37.0 | 22.0 | 27.5 | 0.8 | C322C156-B0****+++ |

备注: 1. “-”表示容量偏差。 “-”=capacitance tolerance code, M=±20%,K=±10%,J=±5%,H=±3%,G=±2%
2. “****”表示引线加工和包装代码(见表1)。“****”=lead form and packing code (refer to table 1)



C32
MKP21 series

■ 外形尺寸 Dimensions (mm)

| 250Vdc (160Vac) | | | | | | |
|------------------------|------|------|-----|------|-----|-------------------|
| C _N (μF) | W | H | T | P | d | Part number |
| 0.012 | 7.2 | 7.5 | 3.5 | 5.0 | 0.5 | C322E123-20****++ |
| 0.015 | 7.2 | 7.5 | 3.5 | 5.0 | 0.5 | C322E153-20****++ |
| 0.018 | 7.2 | 7.5 | 3.5 | 5.0 | 0.5 | C322E183-20****++ |
| 0.022 | 7.2 | 7.5 | 3.5 | 5.0 | 0.5 | C322E223-20****++ |
| 0.027 | 7.2 | 7.5 | 3.5 | 5.0 | 0.5 | C322E273-20****++ |
| 0.033 | 7.2 | 7.5 | 3.5 | 5.0 | 0.5 | C322E333-20****++ |
| 0.039 | 7.2 | 7.5 | 3.5 | 5.0 | 0.5 | C322E393-20****++ |
| 0.047 | 7.2 | 9.5 | 4.5 | 5.0 | 0.6 | C322E473-20****++ |
| 0.056 | 7.2 | 9.5 | 4.5 | 5.0 | 0.6 | C322E563-20****++ |
| 0.068 | 7.2 | 10.0 | 5.0 | 5.0 | 0.6 | C322E683-20****++ |
| 0.082 | 7.2 | 10.0 | 5.0 | 5.0 | 0.6 | C322E823-20****++ |
| 0.10 | 7.2 | 11.0 | 6.0 | 5.0 | 0.6 | C322E104-20****++ |
| 0.12 | 7.2 | 11.0 | 6.0 | 5.0 | 0.6 | C322E124-20****++ |
| 0.027 | 10.5 | 9.0 | 4.0 | 7.5 | 0.6 | C322E273-30****++ |
| 0.033 | 10.5 | 9.0 | 4.0 | 7.5 | 0.6 | C322E333-30****++ |
| 0.039 | 10.5 | 9.0 | 4.0 | 7.5 | 0.6 | C322E393-30****++ |
| 0.047 | 10.5 | 9.0 | 4.0 | 7.5 | 0.6 | C322E473-30****++ |
| 0.056 | 10.5 | 9.0 | 4.0 | 7.5 | 0.6 | C322E563-30****++ |
| 0.068 | 10.5 | 9.0 | 4.0 | 7.5 | 0.6 | C322E683-30****++ |
| 0.082 | 10.5 | 11.0 | 5.0 | 7.5 | 0.6 | C322E823-30****++ |
| 0.10 | 10.5 | 11.0 | 5.0 | 7.5 | 0.6 | C322E104-30****++ |
| 0.12 | 10.5 | 11.0 | 5.0 | 7.5 | 0.6 | C322E124-30****++ |
| 0.15 | 10.5 | 12.0 | 6.0 | 7.5 | 0.6 | C322E154-30****++ |
| 0.18 | 10.5 | 12.0 | 6.0 | 7.5 | 0.6 | C322E184-30****++ |
| 0.033 | 13.0 | 9.0 | 4.0 | 10.0 | 0.6 | C322E333-40****++ |
| 0.039 | 13.0 | 9.0 | 4.0 | 10.0 | 0.6 | C322E393-40****++ |
| 0.047 | 13.0 | 9.0 | 4.0 | 10.0 | 0.6 | C322E473-40****++ |
| 0.056 | 13.0 | 9.0 | 4.0 | 10.0 | 0.6 | C322E563-40****++ |
| 0.068 | 13.0 | 9.0 | 4.0 | 10.0 | 0.6 | C322E683-40****++ |
| 0.082 | 13.0 | 9.0 | 4.0 | 10.0 | 0.6 | C322E823-40****++ |
| 0.10 | 13.0 | 11.0 | 5.0 | 10.0 | 0.6 | C322E104-40****++ |
| 0.12 | 13.0 | 11.0 | 5.0 | 10.0 | 0.6 | C322E124-40****++ |
| 0.15 | 13.0 | 11.0 | 5.0 | 10.0 | 0.6 | C322E154-40****++ |
| 0.18 | 13.0 | 12.0 | 6.0 | 10.0 | 0.6 | C322E184-40****++ |
| 0.22 | 13.0 | 12.0 | 6.0 | 10.0 | 0.6 | C322E224-40****++ |
| 0.10 | 17.5 | 11.0 | 5.0 | 15.0 | 0.8 | C322E104-60****++ |
| 0.12 | 17.5 | 11.0 | 5.0 | 15.0 | 0.8 | C322E124-60****++ |
| 0.15 | 17.5 | 11.0 | 5.0 | 15.0 | 0.8 | C322E154-60****++ |

| 250Vdc (160Vac) | | | | | | |
|------------------------|------|------|------|------|-----|-------------------|
| C _N (μF) | W | H | T | P | d | Part number |
| 0.18 | 17.5 | 11.0 | 5.0 | 15.0 | 0.8 | C322E184-60****++ |
| 0.22 | 17.5 | 11.0 | 5.0 | 15.0 | 0.8 | C322E224-60****++ |
| 0.27 | 17.5 | 12.0 | 6.0 | 15.0 | 0.8 | C322E274-60****++ |
| 0.33 | 17.5 | 12.0 | 6.0 | 15.0 | 0.8 | C322E334-60****++ |
| 0.39 | 17.5 | 13.5 | 7.5 | 15.0 | 0.8 | C322E394-60****++ |
| 0.47 | 17.5 | 13.5 | 7.5 | 15.0 | 0.8 | C322E474-60****++ |
| 0.56 | 17.5 | 13.5 | 7.5 | 15.0 | 0.8 | C322E564-60****++ |
| 0.68 | 17.5 | 14.5 | 8.5 | 15.0 | 0.8 | C322E684-60****++ |
| 0.82 | 17.5 | 16.0 | 10.0 | 15.0 | 0.8 | C322E824-60****++ |
| 1.0 | 17.5 | 16.0 | 10.0 | 15.0 | 0.8 | C322E105-60****++ |
| 1.2 | 17.5 | 19.0 | 11.0 | 15.0 | 0.8 | C322E125-60****++ |
| 0.39 | 26.5 | 15.0 | 6.0 | 22.5 | 0.8 | C322E394-90****++ |
| 0.47 | 26.5 | 15.0 | 6.0 | 22.5 | 0.8 | C322E474-90****++ |
| 0.56 | 26.5 | 15.0 | 6.0 | 22.5 | 0.8 | C322E564-90****++ |
| 0.68 | 26.5 | 15.0 | 6.0 | 22.5 | 0.8 | C322E684-90****++ |
| 0.82 | 26.5 | 15.0 | 6.0 | 22.5 | 0.8 | C322E824-90****++ |
| 1.0 | 26.5 | 16.0 | 7.0 | 22.5 | 0.8 | C322E105-90****++ |
| 1.2 | 26.5 | 17.0 | 8.5 | 22.5 | 0.8 | C322E125-90****++ |
| 1.5 | 26.5 | 17.0 | 8.5 | 22.5 | 0.8 | C322E155-90****++ |
| 1.8 | 26.5 | 18.5 | 10.0 | 22.5 | 0.8 | C322E185-90****++ |
| 2.2 | 26.5 | 20.0 | 11.0 | 22.5 | 0.8 | C322E225-90****++ |
| 2.7 | 26.5 | 22.0 | 12.0 | 22.5 | 0.8 | C322E275-90****++ |
| 0.82 | 32.0 | 18.0 | 9.0 | 27.5 | 0.8 | C322E824-B0****++ |
| 1.0 | 32.0 | 18.0 | 9.0 | 27.5 | 0.8 | C322E105-B0****++ |
| 1.2 | 32.0 | 18.0 | 9.0 | 27.5 | 0.8 | C322E125-B0****++ |
| 1.5 | 32.0 | 18.0 | 9.0 | 27.5 | 0.8 | C322E155-B0****++ |
| 1.8 | 32.0 | 18.0 | 9.0 | 27.5 | 0.8 | C322E185-B0****++ |
| 2.2 | 32.0 | 18.0 | 9.0 | 27.5 | 0.8 | C322E225-B0****++ |
| 2.7 | 32.0 | 20.0 | 11.0 | 27.5 | 0.8 | C322E275-B0****++ |
| 3.3 | 32.0 | 20.0 | 11.0 | 27.5 | 0.8 | C322E335-B0****++ |
| 3.9 | 32.0 | 22.0 | 13.0 | 27.5 | 0.8 | C322E395-B0****++ |
| 4.7 | 32.0 | 28.0 | 14.0 | 27.5 | 0.8 | C322E475-B0****++ |
| 5.6 | 32.0 | 24.5 | 15.0 | 27.5 | 0.8 | C322E565-B0****++ |
| 6.8 | 32.0 | 33.0 | 18.0 | 27.5 | 0.8 | C322E685-B0****++ |
| 8.2 | 32.0 | 33.0 | 18.0 | 27.5 | 0.8 | C322E825-B0****++ |
| 10.0 | 32.0 | 33.0 | 18.0 | 27.5 | 0.8 | C322E106-B0****++ |
| 12.0 | 32.0 | 37.0 | 22.0 | 27.5 | 0.8 | C322E126-B0****++ |
| 15.0 | 32.0 | 37.0 | 22.0 | 27.5 | 0.8 | C322E156-B0****++ |

备注: 1. “-”表示容量偏差。 “-”=capacitance tolerance code, M=±20%,K=±10%,J=±5%,H=±3%,G=±2%
2. “****”表示引线加工和包装代码(见表1)。“****”=lead form and packing code (refer to table 1)

■ 外形尺寸 Dimensions (mm)

| 400Vdc (220Vac) [®] | | | | | | |
|--------------------------------|------|------|-----|------|-----|--------------------|
| C _N (μF) | W | H | T | P | d | Part number |
| 0.0039 | 7.2 | 7.5 | 3.5 | 5.0 | 0.5 | C322G392-20****+++ |
| 0.0047 | 7.2 | 7.5 | 3.5 | 5.0 | 0.5 | C322G472-20****+++ |
| 0.0056 | 7.2 | 7.5 | 3.5 | 5.0 | 0.5 | C322G562-20****+++ |
| 0.0068 | 7.2 | 7.5 | 3.5 | 5.0 | 0.5 | C322G682-20****+++ |
| 0.0082 | 7.2 | 7.5 | 3.5 | 5.0 | 0.5 | C322G822-20****+++ |
| 0.010 | 7.2 | 7.5 | 3.5 | 5.0 | 0.5 | C322G103-20****+++ |
| 0.012 | 7.2 | 7.5 | 3.5 | 5.0 | 0.5 | C322G123-20****+++ |
| 0.015 | 7.2 | 9.5 | 4.5 | 5.0 | 0.6 | C322G153-20****+++ |
| 0.018 | 7.2 | 9.5 | 4.5 | 5.0 | 0.6 | C322G183-20****+++ |
| 0.022 | 7.2 | 9.5 | 4.5 | 5.0 | 0.6 | C322G223-20****+++ |
| 0.027 | 7.2 | 10.0 | 5.0 | 5.0 | 0.6 | C322G273-20****+++ |
| 0.033 | 7.2 | 11.0 | 6.0 | 5.0 | 0.6 | C322G333-20****+++ |
| 0.039 | 7.2 | 11.0 | 6.0 | 5.0 | 0.6 | C322G393-20****+++ |
| 0.047 | 7.2 | 11.0 | 6.0 | 5.0 | 0.6 | C322G473-20****+++ |
| 0.010 | 10.5 | 9.0 | 4.0 | 7.5 | 0.6 | C322G103-30****+++ |
| 0.012 | 10.5 | 9.0 | 4.0 | 7.5 | 0.6 | C322G123-30****+++ |
| 0.015 | 10.5 | 9.0 | 4.0 | 7.5 | 0.6 | C322G153-30****+++ |
| 0.018 | 10.5 | 9.0 | 4.0 | 7.5 | 0.6 | C322G183-30****+++ |
| 0.022 | 10.5 | 9.0 | 4.0 | 7.5 | 0.6 | C322G223-30****+++ |
| 0.027 | 10.5 | 9.0 | 4.0 | 7.5 | 0.6 | C322G273-30****+++ |
| 0.033 | 10.5 | 11.0 | 5.0 | 7.5 | 0.6 | C322G333-30****+++ |
| 0.039 | 10.5 | 11.0 | 5.0 | 7.5 | 0.6 | C322G393-30****+++ |
| 0.047 | 10.5 | 11.0 | 5.0 | 7.5 | 0.6 | C322G473-30****+++ |
| 0.056 | 10.5 | 12.0 | 6.0 | 7.5 | 0.6 | C322G563-30****+++ |
| 0.068 | 10.5 | 12.0 | 6.0 | 7.5 | 0.6 | C322G683-30****+++ |
| 0.015 | 13.0 | 9.0 | 4.0 | 10.0 | 0.6 | C322G153-40****+++ |
| 0.018 | 13.0 | 9.0 | 4.0 | 10.0 | 0.6 | C322G183-40****+++ |
| 0.022 | 13.0 | 9.0 | 4.0 | 10.0 | 0.6 | C322G223-40****+++ |
| 0.027 | 13.0 | 9.0 | 4.0 | 10.0 | 0.6 | C322G273-40****+++ |
| 0.033 | 13.0 | 9.0 | 4.0 | 10.0 | 0.6 | C322G333-40****+++ |
| 0.039 | 13.0 | 9.0 | 4.0 | 10.0 | 0.6 | C322G393-40****+++ |
| 0.047 | 13.0 | 11.0 | 5.0 | 10.0 | 0.6 | C322G473-40****+++ |
| 0.056 | 13.0 | 11.0 | 5.0 | 10.0 | 0.6 | C322G563-40****+++ |
| 0.068 | 13.0 | 11.0 | 5.0 | 10.0 | 0.6 | C322G683-40****+++ |
| 0.082 | 13.0 | 12.0 | 6.0 | 10.0 | 0.6 | C322G823-40****+++ |
| 0.10 | 13.0 | 12.0 | 6.0 | 10.0 | 0.6 | C322G104-40****+++ |
| 0.068 | 17.5 | 11.0 | 5.0 | 15.0 | 0.8 | C322G683-60****+++ |
| 0.082 | 17.5 | 11.0 | 5.0 | 15.0 | 0.8 | C322G823-60****+++ |

| 400Vdc (220Vac) [®] | | | | | | |
|--------------------------------|------|------|------|------|-----|--------------------|
| C _N (μF) | W | H | T | P | d | Part number |
| 0.10 | 17.5 | 11.0 | 5.0 | 15.0 | 0.8 | C322G104-60****+++ |
| 0.12 | 17.5 | 11.0 | 5.0 | 15.0 | 0.8 | C322G124-60****+++ |
| 0.15 | 17.5 | 12.0 | 6.0 | 15.0 | 0.8 | C322G154-60****+++ |
| 0.18 | 17.5 | 12.0 | 6.0 | 15.0 | 0.8 | C322G184-60****+++ |
| 0.22 | 17.5 | 13.5 | 7.5 | 15.0 | 0.8 | C322G224-60****+++ |
| 0.27 | 17.5 | 13.5 | 7.5 | 15.0 | 0.8 | C322G274-60****+++ |
| 0.33 | 17.5 | 14.5 | 8.5 | 15.0 | 0.8 | C322G334-60****+++ |
| 0.39 | 17.5 | 16.0 | 10.0 | 15.0 | 0.8 | C322G394-60****+++ |
| 0.47 | 17.5 | 16.0 | 10.0 | 15.0 | 0.8 | C322G474-60****+++ |
| 0.56 | 17.5 | 19.0 | 11.0 | 15.0 | 0.8 | C322G564-60****+++ |
| 0.68 | 17.5 | 19.0 | 11.0 | 15.0 | 0.8 | C322G684-60****+++ |
| 0.18 | 26.5 | 15.0 | 6.0 | 22.5 | 0.8 | C322G184-90****+++ |
| 0.22 | 26.5 | 15.0 | 6.0 | 22.5 | 0.8 | C322G224-90****+++ |
| 0.27 | 26.5 | 15.0 | 6.0 | 22.5 | 0.8 | C322G274-90****+++ |
| 0.33 | 26.5 | 15.0 | 6.0 | 22.5 | 0.8 | C322G334-90****+++ |
| 0.39 | 26.5 | 16.0 | 7.0 | 22.5 | 0.8 | C322G394-90****+++ |
| 0.47 | 26.5 | 16.0 | 7.0 | 22.5 | 0.8 | C322G474-90****+++ |
| 0.56 | 26.5 | 17.0 | 8.5 | 22.5 | 0.8 | C322G564-90****+++ |
| 0.68 | 26.5 | 17.0 | 8.5 | 22.5 | 0.8 | C322G684-90****+++ |
| 0.82 | 26.5 | 18.5 | 10.0 | 22.5 | 0.8 | C322G824-90****+++ |
| 1.0 | 26.5 | 20.0 | 11.0 | 22.5 | 0.8 | C322G105-90****+++ |
| 1.2 | 26.5 | 22.0 | 12.0 | 22.5 | 0.8 | C322G125-90****+++ |
| 1.5 | 26.5 | 22.0 | 12.0 | 22.5 | 0.8 | C322G155-90****+++ |
| 0.56 | 32.0 | 18.0 | 9.0 | 27.5 | 0.8 | C322G564-B0****+++ |
| 0.68 | 32.0 | 18.0 | 9.0 | 27.5 | 0.8 | C322G684-B0****+++ |
| 0.82 | 32.0 | 18.0 | 9.0 | 27.5 | 0.8 | C322G824-B0****+++ |
| 1.0 | 32.0 | 18.0 | 9.0 | 27.5 | 0.8 | C322G105-B0****+++ |
| 1.2 | 32.0 | 20.0 | 11.0 | 27.5 | 0.8 | C322G125-B0****+++ |
| 1.5 | 32.0 | 20.0 | 11.0 | 27.5 | 0.8 | C322G155-B0****+++ |
| 1.8 | 32.0 | 22.0 | 13.0 | 27.5 | 0.8 | C322G185-B0****+++ |
| 2.2 | 32.0 | 24.5 | 15.0 | 27.5 | 0.8 | C322G225-B0****+++ |
| 2.7 | 32.0 | 28.0 | 14.0 | 27.5 | 0.8 | C322G275-B0****+++ |
| 3.3 | 32.0 | 33.0 | 18.0 | 27.5 | 0.8 | C322G335-B0****+++ |
| 3.9 | 32.0 | 33.0 | 18.0 | 27.5 | 0.8 | C322G395-B0****+++ |
| 4.7 | 32.0 | 37.0 | 22.0 | 27.5 | 0.8 | C322G475-B0****+++ |
| 5.6 | 32.0 | 37.0 | 22.0 | 27.5 | 0.8 | C322G565-B0****+++ |

备注: 1. “-”表示容量偏差。 “-”=capacitance tolerance code, M=±20%,K=±10%,J=±5%,H=±3%,G=±2%
 2. “****”表示引线加工和包装代码(见表1)。“****”=lead form and packing code (refer to table 1)
 3. “@”不用作跨线,请参见抗干扰电容器(Pag.109)
 “@” Not suitable for across-the-line application. Pls refer to Interference Suppression Capacitors(Pag. 109)



C32
MKP21 series

■ 外形尺寸 Dimensions (mm)

| 630Vdc(250Vac) [@] | | | | | | | 630Vdc(250Vac) [@] | | | | | | | 630Vdc(250Vac) [@] | | | | | | |
|-----------------------------|------|------|-----|-----|-----|-------------------|-----------------------------|------|------|-----|------|-----|-------------------|-----------------------------|------|------|------|------|-----|-------------------|
| C _N (μF) | W | H | T | P | d | Part number | C _N (μF) | W | H | T | P | d | Part number | C _N (μF) | W | H | T | P | d | Part number |
| 0.0010 | 7.2 | 7.5 | 3.5 | 5.0 | 0.5 | C322J102-20****++ | 0.027 | 10.5 | 12.0 | 6.0 | 7.5 | 0.6 | C322J273-30****++ | 0.12 | 17.5 | 13.5 | 7.5 | 15.0 | 0.8 | C322J124-60****++ |
| 0.0012 | 7.2 | 7.5 | 3.5 | 5.0 | 0.5 | C322J122-20****++ | 0.033 | 10.5 | 12.0 | 6.0 | 7.5 | 0.6 | C322J333-30****++ | 0.15 | 17.5 | 13.5 | 7.5 | 15.0 | 0.8 | C322J154-60****++ |
| 0.0015 | 7.2 | 7.5 | 3.5 | 5.0 | 0.5 | C322J152-20****++ | 0.0010 | 13.0 | 9.0 | 4.0 | 10.0 | 0.6 | C322J102-40****++ | 0.18 | 17.5 | 14.5 | 8.5 | 15.0 | 0.8 | C322J184-60****++ |
| 0.0018 | 7.2 | 7.5 | 3.5 | 5.0 | 0.5 | C322J182-20****++ | 0.0012 | 13.0 | 9.0 | 4.0 | 10.0 | 0.6 | C322J122-40****++ | 0.22 | 17.5 | 16.0 | 10.0 | 15.0 | 0.8 | C322J224-60****++ |
| 0.0022 | 7.2 | 7.5 | 3.5 | 5.0 | 0.5 | C322J222-20****++ | 0.0015 | 13.0 | 9.0 | 4.0 | 10.0 | 0.6 | C322J152-40****++ | 0.27 | 17.5 | 19.0 | 11.0 | 15.0 | 0.8 | C322J274-60****++ |
| 0.0027 | 7.2 | 7.5 | 3.5 | 5.0 | 0.5 | C322J272-20****++ | 0.0018 | 13.0 | 9.0 | 4.0 | 10.0 | 0.6 | C322J182-40****++ | 0.33 | 17.5 | 19.0 | 11.0 | 15.0 | 0.8 | C322J334-60****++ |
| 0.0033 | 7.2 | 7.5 | 3.5 | 5.0 | 0.5 | C322J332-20****++ | 0.0022 | 13.0 | 9.0 | 4.0 | 10.0 | 0.6 | C322J222-40****++ | 0.082 | 26.5 | 15.0 | 6.0 | 22.5 | 0.8 | C322J823-90****++ |
| 0.0039 | 7.2 | 9.5 | 4.5 | 5.0 | 0.6 | C322J392-20****++ | 0.0027 | 13.0 | 9.0 | 4.0 | 10.0 | 0.6 | C322J272-40****++ | 0.10 | 26.5 | 15.0 | 6.0 | 22.5 | 0.8 | C322J104-90****++ |
| 0.0047 | 7.2 | 9.5 | 4.5 | 5.0 | 0.6 | C322J472-20****++ | 0.0033 | 13.0 | 9.0 | 4.0 | 10.0 | 0.6 | C322J332-40****++ | 0.12 | 26.5 | 15.0 | 6.0 | 22.5 | 0.8 | C322J124-90****++ |
| 0.0056 | 7.2 | 10.0 | 5.0 | 5.0 | 0.6 | C322J562-20****++ | 0.0039 | 13.0 | 9.0 | 4.0 | 10.0 | 0.6 | C322J392-40****++ | 0.15 | 26.5 | 15.0 | 6.0 | 22.5 | 0.8 | C322J154-90****++ |
| 0.0068 | 7.2 | 10.0 | 5.0 | 5.0 | 0.6 | C322J682-20****++ | 0.0047 | 13.0 | 9.0 | 4.0 | 10.0 | 0.6 | C322J472-40****++ | 0.18 | 26.5 | 15.0 | 6.0 | 22.5 | 0.8 | C322J184-90****++ |
| 0.0082 | 7.2 | 11.0 | 6.0 | 5.0 | 0.6 | C322J822-20****++ | 0.0056 | 13.0 | 9.0 | 4.0 | 10.0 | 0.6 | C322J562-40****++ | 0.22 | 26.5 | 16.0 | 7.0 | 22.5 | 0.8 | C322J224-90****++ |
| 0.010 | 7.2 | 11.0 | 6.0 | 5.0 | 0.6 | C322J103-20****++ | 0.0068 | 13.0 | 9.0 | 4.0 | 10.0 | 0.6 | C322J682-40****++ | 0.27 | 26.5 | 17.0 | 8.5 | 22.5 | 0.8 | C322J274-90****++ |
| 0.012 | 7.2 | 11.0 | 6.0 | 5.0 | 0.6 | C322J123-20****++ | 0.0082 | 13.0 | 9.0 | 4.0 | 10.0 | 0.6 | C322J822-40****++ | 0.33 | 26.5 | 17.0 | 8.5 | 22.5 | 0.8 | C322J334-90****++ |
| 0.0010 | 10.5 | 9.0 | 4.0 | 7.5 | 0.6 | C322J102-30****++ | 0.010 | 13.0 | 9.0 | 4.0 | 10.0 | 0.6 | C322J103-40****++ | 0.39 | 26.5 | 18.5 | 10.0 | 22.5 | 0.8 | C322J394-90****++ |
| 0.0012 | 10.5 | 9.0 | 4.0 | 7.5 | 0.6 | C322J122-30****++ | 0.012 | 13.0 | 9.0 | 4.0 | 10.0 | 0.6 | C322J123-40****++ | 0.47 | 26.5 | 18.5 | 10.0 | 22.5 | 0.8 | C322J474-90****++ |
| 0.0015 | 10.5 | 9.0 | 4.0 | 7.5 | 0.6 | C322J152-30****++ | 0.015 | 13.0 | 9.0 | 4.0 | 10.0 | 0.6 | C322J153-40****++ | 0.56 | 26.5 | 20.0 | 11.0 | 22.5 | 0.8 | C322J564-90****++ |
| 0.0018 | 10.5 | 9.0 | 4.0 | 7.5 | 0.6 | C322J182-30****++ | 0.018 | 13.0 | 9.0 | 4.0 | 10.0 | 0.6 | C322J183-40****++ | 0.68 | 26.5 | 22.0 | 12.0 | 22.5 | 0.8 | C322J684-90****++ |
| 0.0022 | 10.5 | 9.0 | 4.0 | 7.5 | 0.6 | C322J222-30****++ | 0.022 | 13.0 | 11.0 | 5.0 | 10.0 | 0.6 | C322J223-40****++ | 0.33 | 32.0 | 18.0 | 9.0 | 27.5 | 0.8 | C322J334-B0****++ |
| 0.0027 | 10.5 | 9.0 | 4.0 | 7.5 | 0.6 | C322J272-30****++ | 0.027 | 13.0 | 11.0 | 5.0 | 10.0 | 0.6 | C322J273-40****++ | 0.39 | 32.0 | 18.0 | 9.0 | 27.5 | 0.8 | C322J394-B0****++ |
| 0.0033 | 10.5 | 9.0 | 4.0 | 7.5 | 0.6 | C322J332-30****++ | 0.033 | 13.0 | 11.0 | 5.0 | 10.0 | 0.6 | C322J333-40****++ | 0.47 | 32.0 | 18.0 | 9.0 | 27.5 | 0.8 | C322J474-B0****++ |
| 0.0039 | 10.5 | 9.0 | 4.0 | 7.5 | 0.6 | C322J392-30****++ | 0.039 | 13.0 | 12.0 | 6.0 | 10.0 | 0.6 | C322J393-40****++ | 0.56 | 32.0 | 20.0 | 11.0 | 27.5 | 0.8 | C322J564-B0****++ |
| 0.0047 | 10.5 | 9.0 | 4.0 | 7.5 | 0.6 | C322J472-30****++ | 0.047 | 13.0 | 12.0 | 6.0 | 10.0 | 0.6 | C322J473-40****++ | 0.68 | 32.0 | 20.0 | 11.0 | 27.5 | 0.8 | C322J684-B0****++ |
| 0.0056 | 10.5 | 9.0 | 4.0 | 7.5 | 0.6 | C322J562-30****++ | 0.027 | 17.5 | 11.0 | 5.0 | 15.0 | 0.8 | C322J273-60****++ | 0.82 | 32.0 | 20.0 | 11.0 | 27.5 | 0.8 | C322J824-B0****++ |
| 0.0068 | 10.5 | 9.0 | 4.0 | 7.5 | 0.6 | C322J682-30****++ | 0.033 | 17.5 | 11.0 | 5.0 | 15.0 | 0.8 | C322J333-60****++ | 1.0 | 32.0 | 22.0 | 13.0 | 27.5 | 0.8 | C322J105-B0****++ |
| 0.0082 | 10.5 | 9.0 | 4.0 | 7.5 | 0.6 | C322J822-30****++ | 0.039 | 17.5 | 11.0 | 5.0 | 15.0 | 0.8 | C322J393-60****++ | 1.2 | 32.0 | 24.5 | 15.0 | 27.5 | 0.8 | C322J125-B0****++ |
| 0.010 | 10.5 | 9.0 | 4.0 | 7.5 | 0.6 | C322J103-30****++ | 0.047 | 17.5 | 11.0 | 5.0 | 15.0 | 0.8 | C322J473-60****++ | 1.5 | 32.0 | 28.0 | 14.0 | 27.5 | 0.8 | C322J155-B0****++ |
| 0.012 | 10.5 | 9.0 | 4.0 | 7.5 | 0.6 | C322J123-30****++ | 0.056 | 17.5 | 11.0 | 5.0 | 15.0 | 0.8 | C322J563-60****++ | 1.8 | 32.0 | 33.0 | 18.0 | 27.5 | 0.8 | C322J185-B0****++ |
| 0.015 | 10.5 | 11.0 | 5.0 | 7.5 | 0.6 | C322J153-30****++ | 0.068 | 17.5 | 12.0 | 6.0 | 15.0 | 0.8 | C322J683-60****++ | 2.2 | 32.0 | 33.0 | 18.0 | 27.5 | 0.8 | C322J225-B0****++ |
| 0.018 | 10.5 | 11.0 | 5.0 | 7.5 | 0.6 | C322J183-30****++ | 0.082 | 17.5 | 12.0 | 6.0 | 15.0 | 0.8 | C322J823-60****++ | 2.7 | 32.0 | 37.0 | 22.0 | 27.5 | 0.8 | C322J275-B0****++ |
| 0.022 | 10.5 | 11.0 | 5.0 | 7.5 | 0.6 | C322J223-30****++ | 0.10 | 17.5 | 13.5 | 7.5 | 15.0 | 0.8 | C322J104-60****++ | 3.3 | 32.0 | 37.0 | 22.0 | 27.5 | 0.8 | C322J335-B0****++ |

- Note: 1. “-” =capacitance tolerance code, M= ± 20%,K= ± 10%,J= ± 5%
 2. “****” =lead form and packing code (refer to table 1)
 3. “@” 不用作跨线, 请参见抗干扰电容器 (Pag.109)
 “@” Not suitable for across-the-line applications.Pls refer to Interference Suppression Capacitors.(Pag.109)

X-ON Electronics

Largest Supplier of Electrical and Electronic Components

Click to view similar products for [Film Capacitors](#) category:

Click to view products by [FARATRONIC](#) manufacturer:

Other Similar products are found below :

[703-6G](#) [82DC4100CK60J](#) [82EC1100DQ50K](#) [MMWAF150KME](#) [PCY2130F30153](#) [QXJ2E474KTPT](#) [QXL2B333KTPT](#) [QXM2G104K](#)
[DPM16S56K-1F](#) [EEC2G505HQA406](#) [B32234-.033@250V-K](#) [B81133-C1104-M3](#) [MTC355L1](#) [217-0716-001](#) [PA225L30](#) [CB182K0184J--](#)
[KP1830-247/061-G](#) [274ACF4400WA0J](#) [274ACF5150WA0J](#) [SCD105K122A3-22](#) [SCD205K122A3-24](#) [PCX2339F65224](#) [PCX2339F65334](#)
[2222 368 55105](#) [2222 370 21683](#) [QXL2E473KTPT](#) [445450-1](#) [MKT182022263473](#) [WMC08P22](#) [46KN410000N1K](#) [46KR368050M1M](#) [ECQ-](#)
[W4223KZ](#) [EEC2G805HQA415](#) [PA103L30](#) [82DC4100AA60K](#) [82EC2150DQ50K](#) [VEA105K50](#) [82IC2150DQ50J](#) [82EC2220DQ50J](#)
[MTC55L4](#) [MTC56L4](#) [730P205X9400](#) [PA104L30](#) [PA224L30](#) [82DC3220AA60J](#) [82EC4100DQ70J](#) [WYP-104M](#) [82CC4220AA70J](#)
[82EC3100Z370J](#) [B32656S8105K566](#)