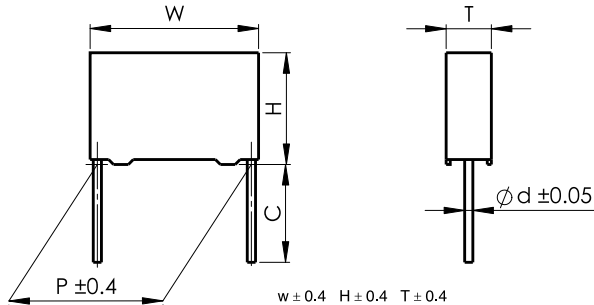




金属化聚丙烯膜电容器 Metallized polypropylene film capacitor (Box-type)

■ 外形图 Outline Drawing



■ 特点

- 高频损耗小
- 内部温升小，耐高温
- 塑料外壳 (UL94 V-0)，阻燃环氧填充

■ 主要用途

- 高压、大电流的脉冲电路
- 电子照明 (如电子镇流器、E-HID)
- 高频交流负荷

■ 技术要求 Specifications

■ Features

- Low loss at high frequency
- Small inherent temperature rise, high temperature range
- Plastic case (UL94 V-0), epoxy resin sealing

■ Typical application

- Pulse applications with high A.C. voltage and high current
- Electric lighting (i.e. electric ballast, E-HID)
- High-frequency A.C. loads

引用标准 Reference Standard	GB/T 14579(IEC 60384-17)				
气候类别 Climatic Category	55/125/56				
额定温度 Rated Temperature	105℃				
工作温度范围 Operating Temperature Range	-55℃ ~ 125℃ (+105℃ to +125℃: decreasing factor 1.25% per °C for U _R)				
电容量范围 Capacitance Range	0.00047μF ~ 0.15μF				
电容量偏差 Capacitance Tolerance	± 3% (H), ± 5% (J), ± 10% (K)				
耐电压 Voltage Proof	1.6U _R (5s)				
损耗角正切 Dissipation Factor	≤ 10 × 10 ⁻⁴ (1kHz, 20℃)				
绝缘电阻 Insulation Resistance	≥ 100 000MΩ (20℃, 100V, 1min)				
最大脉冲爬升速率 Maximum Pulse Rise Time(dV/dt): 若实际工作电压 U 比额定电压 U _R 低, 电容器可工作在更高的 dV/dt 场合, 这样 dV/dt 允许值应为右表值乘以 U _R /U。 If the working voltage(U) is lower than the rated voltage(U _R), the capacitor can be worked at a higher dV/dt. In this case, the maximum allowed dV/dt is obtain by multiplying the right value with U _R /U.	U _R (Vac)	dV/dt (V/μs)			
			P=7.5	P=10.0	P=15.0
	400	3 000	2 200	2 000	800
	500	4 000	3 000	2 500	1 200
	600	6 500	6 000	4 500	1 800
	700	--	9 800	9 500	4 500
900	--	--	10 000	6 000	

U _R	400Vac		500Vac		600Vac		700Vac		900Vac
P (mm)	7.5	> 7.5	7.5	> 7.5	≤ 10.0	> 10.0	10.0	> 10.0	---
Vdc(V)	1 000	1 300	1 300	1 400	1 400	1 600	1 600	2 000	2 500

产品编码说明 Part number system

■ 18位产品代码如下：

The 18 digits part number is formed as follow:

1	2	3	4	5	6	7	8	9	10	11	12	13	14	15	16	17	18
C	3	3															

第1~3位	型号代码 C33=MKP23	Digit 1 to 3	Series code C33=MKP23
第4~5位	交流额定电压 G2=400V H2=500V U1=600V V1=700V X1=900V	Digit 4 to 5	AC rated voltage G2=400V H2=500V U1=600V V1=700V X1=900V
第6~8位	标称容量 举例：103=10 × 10 ³ pF=0.01μF	Digit 6 to 8	Rated capacitance value For example: 103=10 × 10 ³ pF=0.01μF
第9位	容量偏差 H= ± 3% J= ± 5% K= ± 10%	Digit 9	Capacitance tolerance H= ± 3% J= ± 5% K= ± 10%
第10位	引线脚距P 3=7.5mm 4=10.0mm 6=15.0mm 9=22.5mm	Digit 10	Pitch 3=7.5mm 4=10.0mm 6=15.0mm 9=22.5mm
第11位	内部特征码	Digit 11	Internal use
第12~15位	引线加工和包装代码	Digit 12 to 15	Lead form and packaging code
第16~18位	内部特征码	Digit 16 to 18	Internal use

■ Table 1 引线加工和包装代码 lead form and packaging code

第 12 位 Digit 12		第 13 位 Digit 13		第 14 位 Digit 14		第 15 位 Digit 15	
代码 Code	说明 explanation	代码 Code	说明 explanation	代码 Code	说明 explanation	代码 Code	说明 explanation
A	弹带包装 ammo-pack	3	F=7.5mm	0	表示直脚 straight	1	产品在连续的两个载带孔之间 each cap. among two consecutive holes P3=12.7mm,H=18.5mm (For pitch=7.5mm)
		4	F=10.0mm			5	P3=25.4mm;H=18.5mm (For pitch=10/15mm) (Detail parameter refer to pag 17)
C	直脚 straight lead “C” in the figure above	代码 Code	说明 explanation	0		0	引线长度偏差 ± 0.5mm 或标准长度 Length tolerance ± 0.5mm Or standard length
		00	标准的引线长度 (18mm~26mm) standard lead length				
		45	引线长度 4.5mm lead length 4.5mm				



■ 外形尺寸 Dimensions (mm)

400Vac						
C _N (μF)	W	H	T	P	d	Part number
0.00082	10.5	9.0	4.0	7.5	0.6	C33G2821-30****+++
0.0010	10.5	9.0	4.0	7.5	0.6	C33G2102-30****+++
0.0012	10.5	9.0	4.0	7.5	0.6	C33G2122-30****+++
0.0015	10.5	9.0	4.0	7.5	0.6	C33G2152-30****+++
0.0018	10.5	9.0	4.0	7.5	0.6	C33G2182-30****+++
0.0022	10.5	9.0	4.0	7.5	0.6	C33G2222-30****+++
0.0027	10.5	9.0	4.0	7.5	0.6	C33G2272-30****+++
0.0033	10.5	9.0	4.0	7.5	0.6	C33G2332-30****+++
0.0036	10.5	9.0	4.0	7.5	0.6	C33G2362-30****+++
0.0039	10.5	9.0	4.0	7.5	0.6	C33G2392-30****+++
0.0047	10.5	9.0	4.0	7.5	0.6	C33G2472-30****+++
0.0056	10.5	11.0	5.0	7.5	0.6	C33G2562-30****+++
0.0068	10.5	11.0	5.0	7.5	0.6	C33G2682-30****+++
0.0082	10.5	11.0	5.0	7.5	0.6	C33G2822-30****+++
0.010	10.5	12.0	6.0	7.5	0.6	C33G2103-30****+++
0.012	10.5	12.0	6.0	7.5	0.6	C33G2123-30****+++
0.0010	13.0	9.0	4.0	10.0	0.6	C33G2102-40****+++
0.0012	13.0	9.0	4.0	10.0	0.6	C33G2122-40****+++
0.0015	13.0	9.0	4.0	10.0	0.6	C33G2152-40****+++
0.0018	13.0	9.0	4.0	10.0	0.6	C33G2182-40****+++
0.0022	13.0	9.0	4.0	10.0	0.6	C33G2222-40****+++
0.0027	13.0	9.0	4.0	10.0	0.6	C33G2172-40****+++
0.0033	13.0	9.0	4.0	10.0	0.6	C33G2332-40****+++
0.0039	13.0	9.0	4.0	10.0	0.6	C33G2392-40****+++
0.0047	13.0	11.0	5.0	10.0	0.6	C33G2472-40****+++
0.0056	13.0	11.0	5.0	10.0	0.6	C33G2562-40****+++
0.0068	13.0	11.0	5.0	10.0	0.6	C33G2682-40****+++
0.0082	13.0	12.0	6.0	10.0	0.6	C33G2822-40****+++
0.010	13.0	12.0	6.0	10.0	0.6	C33G2103-40****+++

400Vac						
C _N (μF)	W	H	T	P	d	Part number
0.0022	17.5	11.0	5.0	15.0	0.8	C33G2222-60****+++
0.0027	17.5	11.0	5.0	15.0	0.8	C33G2272-60****+++
0.0033	17.5	11.0	5.0	15.0	0.8	C33G2332-60****+++
0.0039	17.5	11.0	5.0	15.0	0.8	C33G2392-60****+++
0.0047	17.5	11.0	5.0	15.0	0.8	C33G2472-60****+++
0.0056	17.5	11.0	5.0	15.0	0.8	C33G2562-60****+++
0.0068	17.5	11.0	5.0	15.0	0.8	C33G2682-60****+++
0.0082	17.5	11.0	5.0	15.0	0.8	C33G2822-60****+++
0.010	17.5	11.0	5.0	15.0	0.8	C33G2103-60****+++
0.012	17.5	11.0	5.0	15.0	0.8	C33G2123-60****+++
0.015	17.5	12.0	6.0	15.0	0.8	C33G2153-60****+++
0.018	17.5	12.0	6.0	15.0	0.8	C33G2183-60****+++
0.022	17.5	13.5	7.5	15.0	0.8	C33G2223-60****+++
0.027	17.5	13.5	7.5	15.0	0.8	C33G2273-60****+++
0.033	17.5	14.5	8.5	15.0	0.8	C33G2333-60****+++
0.039	17.5	16.0	10.0	15.0	0.8	C33G2393-60****+++
0.047	17.5	16.0	10.0	15.0	0.8	C33G2473-60****+++
0.056	17.5	19.0	11.0	15.0	0.8	C33G2563-60****+++
0.068	17.5	19.0	11.0	15.0	0.8	C33G2683-60****+++
0.018	26.5	15.0	6.0	22.5	0.8	C33G2183-90****+++
0.022	26.5	15.0	6.0	22.5	0.8	C33G2223-90****+++
0.027	26.5	15.0	6.0	22.5	0.8	C33G2273-90****+++
0.033	26.5	15.0	6.0	22.5	0.8	C33G2333-90****+++
0.039	26.5	15.0	6.0	22.5	0.8	C33G2393-90****+++
0.047	26.5	16.0	7.0	22.5	0.8	C33G2473-90****+++
0.056	26.5	16.0	7.0	22.5	0.8	C33G2563-90****+++
0.068	26.5	17.0	8.5	22.5	0.8	C33G2683-90****+++
0.082	26.5	17.0	8.5	22.5	0.8	C33G2823-90****+++
0.10	26.5	18.5	10.0	22.5	0.8	C33G2104-90****+++
0.12	26.5	22.0	12.0	22.5	0.8	C33G2124-90****+++
0.15	26.5	22.0	12.0	22.5	0.8	C33G2154-90****+++

备注: 1. “-”表示容量偏差。 “-”=capacitance tolerance code, K=±10%, J=±5.0%, H=±3.0%
 2. “****”表示引线加工和包装代码(见表1)。“****”=lead form and packing code (refer to table 1)

■ 外形尺寸 Dimensions (mm)

500Vac						
C _N (μF)	W	H	T	P	d	Part number
0.00056	10.5	9.0	4.0	7.5	0.6	C33H2561-3S****+++
0.00062	10.5	9.0	4.0	7.5	0.6	C33H2621-3S****+++
0.00068	10.5	9.0	4.0	7.5	0.6	C33H2681-3S****+++
0.00082	10.5	9.0	4.0	7.5	0.6	C33H2821-3S****+++
0.0010	10.5	9.0	4.0	7.5	0.6	C33H2102-3S****+++
0.0012	10.5	9.0	4.0	7.5	0.6	C33H2122-3S****+++
0.0015	10.5	9.0	4.0	7.5	0.6	C33H2152-3S****+++
0.0018	10.5	9.0	4.0	7.5	0.6	C33H2182-3S****+++
0.0022	10.5	11.0	5.0	7.5	0.6	C33H2222-3S****+++
0.0027	10.5	11.0	5.0	7.5	0.6	C33H2272-3S****+++
0.0033	10.5	11.0	5.0	7.5	0.6	C33H2332-3S****+++
0.0036	10.5	12.0	6.0	7.5	0.6	C33H2362-3S****+++
0.0039	10.5	12.0	6.0	7.5	0.6	C33H2392-3S****+++
0.0047	10.5	12.0	6.0	7.5	0.6	C33H2472-3S****+++
0.0056	10.5	12.0	6.0	7.5	0.6	C33H2562-3S****+++
0.0010	13.0	9.0	4.0	10.0	0.6	C33H2102-4S****+++
0.0012	13.0	9.0	4.0	10.0	0.6	C33H2122-4S****+++
0.0015	13.0	9.0	4.0	10.0	0.6	C33H2152-4S****+++
0.0018	13.0	9.0	4.0	10.0	0.6	C33H2182-4S****+++
0.0022	13.0	9.0	4.0	10.0	0.6	C33H2222-4S****+++
0.0027	13.0	9.0	4.0	10.0	0.6	C33H2272-4S****+++
0.0030	13.0	9.0	4.0	10.0	0.6	C33H2302-4S****+++
0.0033	13.0	9.0	4.0	10.0	0.6	C33H2332-4S****+++
0.0039	13.0	11.0	5.0	10.0	0.6	C33H2392-4S****+++
0.0047	13.0	11.0	5.0	10.0	0.6	C33H2472-4S****+++
0.0056	13.0	11.0	5.0	10.0	0.6	C33H2562-4S****+++
0.0068	13.0	12.0	6.0	10.0	0.6	C33H2682-4S****+++
0.0082	13.0	12.0	6.0	10.0	0.6	C33H2822-4S****+++
0.010	13.0	13.0	7.0	10.0	0.6	C33H2103-4S****+++
0.012	13.0	14.0	8.0	10.0	0.6	C33H2123-4S****+++

500Vac						
C _N (μF)	W	H	T	P	d	Part number
0.0033	17.5	11.0	5.0	15.0	0.8	C33H2332-6S****+++
0.0036	17.5	11.0	5.0	15.0	0.8	C33H2362-6S****+++
0.0039	17.5	11.0	5.0	15.0	0.8	C33H2392-6S****+++
0.0047	17.5	11.0	5.0	15.0	0.8	C33H2472-6S****+++
0.0056	17.5	11.0	5.0	15.0	0.8	C33H2562-6S****+++
0.0068	17.5	11.0	5.0	15.0	0.8	C33H2682-6S****+++
0.0082	17.5	11.0	5.0	15.0	0.8	C33H2822-6S****+++
0.010	17.5	11.0	5.0	15.0	0.8	C33H2103-6S****+++
0.012	17.5	12.0	6.0	15.0	0.8	C33H2123-6S****+++
0.015	17.5	12.0	6.0	15.0	0.8	C33H2153-6S****+++
0.018	17.5	13.5	7.5	15.0	0.8	C33H2183-6S****+++
0.022	17.5	13.5	7.5	15.0	0.8	C33H2223-6S****+++
0.027	17.5	13.5	7.5	15.0	0.8	C33H2273-6S****+++
0.030	17.5	14.5	8.5	15.0	0.8	C33H2303-6S****+++
0.033	17.5	16.0	10.0	15.0	0.8	C33H2333-6S****+++
0.036	17.5	16.0	10.0	15.0	0.8	C33H2363-6S****+++
0.039	17.5	16.0	10.0	15.0	0.8	C33H2393-6S****+++
0.047	17.5	19.0	11.0	15.0	0.8	C33H2473-6S****+++
0.056	17.5	19.0	11.0	15.0	0.8	C33H2563-6S****+++
0.010	26.5	15.0	6.0	22.5	0.8	C33H2103-9S****+++
0.012	26.5	15.0	6.0	22.5	0.8	C33H2123-9S****+++
0.015	26.5	15.0	6.0	22.5	0.8	C33H2153-9S****+++
0.018	26.5	15.0	6.0	22.5	0.8	C33H2183-9S****+++
0.022	26.5	15.0	6.0	22.5	0.8	C33H2223-9S****+++
0.027	26.5	15.0	6.0	22.5	0.8	C33H2273-9S****+++
0.033	26.5	16.0	7.0	22.5	0.8	C33H2333-9S****+++
0.036	26.5	16.0	7.0	22.5	0.8	C33H2363-9S****+++
0.039	26.5	16.0	7.0	22.5	0.8	C33H2393-9S****+++
0.047	26.5	17.0	8.5	22.5	0.8	C33H2473-9S****+++
0.056	26.5	17.0	8.5	22.5	0.8	C33H2563-9S****+++
0.068	26.5	18.5	10.0	22.5	0.8	C33H2683-9S****+++
0.082	26.5	18.5	10.0	22.5	0.8	C33H2823-9S****+++
0.10	26.5	22.0	12.0	22.5	0.8	C33H2104-9S****+++
0.12	26.5	22.0	12.0	22.5	0.8	C33H2124-9S****+++

备注: 1. “-”表示容量偏差。 “-”=capacitance tolerance code, K=±10%, J=±5.0%, H=±3.0%
 2. “****”表示引线加工和包装代码(见表1)。“****”=lead form and packing code (refer to table 1)



C33
MKP23 series

■ 外形尺寸 Dimensions (mm)

600Vac						
C _N (μF)	W	H	T	P	d	Part number
0.00047	10.5	9.0	4.0	7.5	0.6	C33U1471-30****++
0.00056	10.5	9.0	4.0	7.5	0.6	C33U1561-30****++
0.00062	10.5	9.0	4.0	7.5	0.6	C33U1621-30****++
0.00068	10.5	9.0	4.0	7.5	0.6	C33U1681-30****++
0.00082	10.5	9.0	4.0	7.5	0.6	C33U1821-30****++
0.0010	10.5	9.0	4.0	7.5	0.6	C33U1102-30****++
0.0012	10.5	9.0	4.0	7.5	0.6	C33U1122-30****++
0.0015	10.5	9.0	4.0	7.5	0.6	C33U1152-30****++
0.0018	10.5	11.0	5.0	7.5	0.6	C33U1182-30****++
0.0022	10.5	11.0	5.0	7.5	0.6	C33U1222-30****++
0.0027	10.5	11.0	5.0	7.5	0.6	C33U1272-30****++
0.0033	10.5	12.0	6.0	7.5	0.6	C33U1332-30****++
0.0036	10.5	12.0	6.0	7.5	0.6	C33U1362-30****++
0.0039	10.5	12.0	6.0	7.5	0.6	C33U1392-30****++
0.0047	10.5	12.0	6.0	7.5	0.6	C33U1472-30****++
0.00056	13.0	9.0	4.0	10.0	0.6	C33U1561-40****++
0.00062	13.0	9.0	4.0	10.0	0.6	C33U1621-40****++
0.00068	13.0	9.0	4.0	10.0	0.6	C33U1681-40****++
0.00082	13.0	9.0	4.0	10.0	0.6	C33U1821-40****++
0.0010	13.0	9.0	4.0	10.0	0.6	C33U1102-40****++
0.0011	13.0	9.0	4.0	10.0	0.6	C33U1112-40****++
0.0012	13.0	9.0	4.0	10.0	0.6	C33U1122-40****++
0.0013	13.0	9.0	4.0	10.0	0.6	C33U1132-40****++
0.0015	13.0	9.0	4.0	10.0	0.6	C33U1152-40****++
0.0017	13.0	9.0	4.0	10.0	0.6	C33U1172-40****++
0.0018	13.0	9.0	4.0	10.0	0.6	C33U1182-40****++
0.0020	13.0	9.0	4.0	10.0	0.6	C33U1202-40****++
0.0022	13.0	9.0	4.0	10.0	0.6	C33U1222-40****++
0.0027	13.0	9.0	4.0	10.0	0.6	C33U1272-40****++
0.0030	13.0	9.0	4.0	10.0	0.6	C33U1302-40****++
0.0033	13.0	9.0	4.0	10.0	0.6	C33U1332-40****++
0.0036	13.0	11.0	5.0	10.0	0.6	C33U1362-40****++
0.0039	13.0	11.0	5.0	10.0	0.6	C33U1392-40****++
0.0047	13.0	11.0	5.0	10.0	0.6	C33U1472-40****++
0.0056	13.0	11.0	5.0	10.0	0.6	C33U1562-40****++
0.0068	13.0	12.0	6.0	10.0	0.6	C33U1682-40****++
0.0082	13.0	12.0	6.0	10.0	0.6	C33U1822-40****++
0.010	13.0	13.0	7.0	10.0	0.6	C33U1103-40****++
0.012	13.0	14.0	8.0	10.0	0.6	C33U1123-40****++

600Vac						
C _N (μF)	W	H	T	P	d	Part number
0.0010	17.5	11.0	5.0	15.0	0.8	C33U1102-60****++
0.0012	17.5	11.0	5.0	15.0	0.8	C33U1122-60****++
0.0015	17.5	11.0	5.0	15.0	0.8	C33U1152-60****++
0.0018	17.5	11.0	5.0	15.0	0.8	C33U1182-60****++
0.0022	17.5	11.0	5.0	15.0	0.8	C33U1222-60****++
0.0027	17.5	11.0	5.0	15.0	0.8	C33U1272-60****++
0.0033	17.5	11.0	5.0	15.0	0.8	C33U1332-60****++
0.0039	17.5	11.0	5.0	15.0	0.8	C33U1392-60****++
0.0047	17.5	11.0	5.0	15.0	0.8	C33U1472-60****++
0.0056	17.5	11.0	5.0	15.0	0.8	C33U1562-60****++
0.0068	17.5	11.0	5.0	15.0	0.8	C33U1682-60****++
0.0082	17.5	12.0	6.0	15.0	0.8	C33U1822-60****++
0.010	17.5	12.0	6.0	15.0	0.8	C33U1103-60****++
0.012	17.5	12.0	6.0	15.0	0.8	C33U1123-60****++
0.015	17.5	13.5	7.5	15.0	0.8	C33U1153-60****++
0.018	17.5	13.5	7.5	15.0	0.8	C33U1183-60****++
0.022	17.5	14.5	8.5	15.0	0.8	C33U1223-60****++
0.027	17.5	16.0	10.0	15.0	0.8	C33U1273-60****++
0.033	17.5	16.0	10.0	15.0	0.8	C33U1333-60****++
0.039	17.5	19.0	11.0	15.0	0.8	C33U1393-60****++
0.047	17.5	19.0	11.0	15.0	0.8	C33U1473-60****++
0.015	26.5	15.0	6.0	22.5	0.8	C33U1153-90****++
0.018	26.5	15.0	6.0	22.5	0.8	C33U1183-90****++
0.022	26.5	15.0	6.0	22.5	0.8	C33U1223-90****++
0.027	26.5	16.0	7.0	22.5	0.8	C33U1273-90****++
0.033	26.5	16.0	7.0	22.5	0.8	C33U1333-90****++
0.039	26.5	17.0	8.5	22.5	0.8	C33U1393-90****++
0.047	26.5	18.5	10.0	22.5	0.8	C33U1473-90****++
0.056	26.5	18.5	10.0	22.5	0.8	C33U1563-90****++
0.068	26.5	22.0	12.0	22.5	0.8	C33U1683-90****++
0.082	26.5	22.0	12.0	22.5	0.8	C33U1823-90****++
0.10	26.5	22.0	12.0	22.5	0.8	C33U1104-90****++

备注: 1. “-”表示容量偏差。 “-”=capacitance tolerance code, K=±10%, J=±5.0%, H=±3.0%
 2. “****”表示引线加工和包装代码(见表1)。“****”=lead form and packing code (refer to table 1)

■ 外形尺寸 Dimensions (mm)

700Vac						
C _N (μF)	W	H	T	P	d	Part number
0.00056	13.0	9.0	4.0	10.0	0.6	C33V1561-40****++
0.00062	13.0	9.0	4.0	10.0	0.6	C33V1621-40****++
0.00068	13.0	9.0	4.0	10.0	0.6	C33V1681-40****++
0.00082	13.0	9.0	4.0	10.0	0.6	C33V1821-40****++
0.0010	13.0	9.0	4.0	10.0	0.6	C33V1102-40****++
0.0012	13.0	9.0	4.0	10.0	0.6	C33V1122-40****++
0.0015	13.0	11.0	5.0	10.0	0.6	C33V1152-40****++
0.0018	13.0	11.0	5.0	10.0	0.6	C33V1182-40****++
0.0022	13.0	11.0	5.0	10.0	0.6	C33V1222-40****++
0.0027	13.0	11.0	5.0	10.0	0.6	C33V1272-40****++
0.0033	13.0	12.0	6.0	10.0	0.6	C33V1332-40****++
0.0036	13.0	12.0	6.0	10.0	0.6	C33V1362-40****++
0.0039	13.0	12.0	6.0	10.0	0.6	C33V1392-40****++
0.0047	13.0	13.0	7.0	10.0	0.6	C33V1472-40****++
0.0056	13.0	13.0	7.0	10.0	0.6	C33V1562-40****++
0.0068	13.0	14.0	8.0	10.0	0.6	C33V1682-40****++
0.0082	13.0	14.0	8.0	10.0	0.6	C33V1822-40****++
0.00056	17.5	11.0	5.0	15.0	0.8	C33V1561-60****++
0.00062	17.5	11.0	5.0	15.0	0.8	C33V1621-60****++
0.00068	17.5	11.0	5.0	15.0	0.8	C33V1681-60****++
0.00082	17.5	11.0	5.0	15.0	0.8	C33V1821-60****++
0.0010	17.5	11.0	5.0	15.0	0.8	C33V1102-60****++
0.0012	17.5	11.0	5.0	15.0	0.8	C33V1122-60****++
0.0015	17.5	11.0	5.0	15.0	0.8	C33V1152-60****++
0.0018	17.5	11.0	5.0	15.0	0.8	C33V1182-60****++
0.0022	17.5	11.0	5.0	15.0	0.8	C33V1222-60****++
0.0027	17.5	11.0	5.0	15.0	0.8	C33V1272-60****++
0.0033	17.5	11.0	5.0	15.0	0.8	C33V1332-60****++
0.0039	17.5	11.0	5.0	15.0	0.8	C33V1392-60****++
0.0047	17.5	11.0	5.0	15.0	0.8	C33V1472-60****++
0.0056	17.5	12.0	6.0	15.0	0.8	C33V1562-60****++
0.0068	17.5	12.0	6.0	15.0	0.8	C33V1682-60****++
0.0082	17.5	13.5	7.5	15.0	0.8	C33V1822-60****++
0.010	17.5	13.5	7.5	15.0	0.8	C33V1103-60****++
0.012	17.5	14.5	8.5	15.0	0.8	C33V1123-60****++
0.015	17.5	14.5	8.5	15.0	0.8	C33V1153-60****++
0.018	17.5	16.0	10.0	15.0	0.8	C33V1183-60****++
0.022	17.5	19.0	11.0	15.0	0.8	C33V1223-60****++
0.0068	26.5	15.0	6.0	22.5	0.8	C33V1682-90****++
0.0082	26.5	15.0	6.0	22.5	0.8	C33V1822-90****++
0.010	26.5	15.0	6.0	22.5	0.8	C33V1103-90****++
0.012	26.5	15.0	6.0	22.5	0.8	C33V1123-90****++
0.015	26.5	15.0	6.0	22.5	0.8	C33V1153-90****++
0.018	26.5	16.0	7.0	22.5	0.8	C33V1183-90****++
0.022	26.5	17.0	8.5	22.5	0.8	C33V1223-90****++
0.027	26.5	17.0	8.5	22.5	0.8	C33V1273-90****++
0.033	26.5	18.5	10.0	22.5	0.8	C33V1333-90****++
0.039	26.5	18.5	10.0	22.5	0.8	C33V1393-90****++
0.047	26.5	22.0	12.0	22.5	0.8	C33V1473-90****++
0.056	26.5	22.0	12.0	22.5	0.8	C33V1563-90****++

900Vac						
C _N (μF)	W	H	T	P	d	Part number
0.00056	17.5	11.0	5.0	15.0	0.8	C33X1561-60****++
0.00068	17.5	11.0	5.0	15.0	0.8	C33X1681-60****++
0.00082	17.5	11.0	5.0	15.0	0.8	C33X1821-60****++
0.0010	17.5	11.0	5.0	15.0	0.8	C33X1102-60****++
0.0012	17.5	11.0	5.0	15.0	0.8	C33X1122-60****++
0.0015	17.5	11.0	5.0	15.0	0.8	C33X1152-60****++
0.0018	17.5	11.0	5.0	15.0	0.8	C33X1182-60****++
0.0022	17.5	11.0	5.0	15.0	0.8	C33X1222-60****++
0.0027	17.5	11.0	5.0	15.0	0.8	C33X1272-60****++
0.0033	17.5	11.0	5.0	15.0	0.8	C33X1332-60****++
0.0039	17.5	12.0	6.0	15.0	0.8	C33X1392-60****++
0.0047	17.5	12.0	6.0	15.0	0.8	C33X1472-60****++
0.0056	17.5	12.0	6.0	15.0	0.8	C33X1562-60****++
0.0068	17.5	13.5	7.5	15.0	0.8	C33X1682-60****++
0.0082	17.5	13.5	7.5	15.0	0.8	C33X1822-60****++
0.010	17.5	14.5	8.5	15.0	0.8	C33X1103-60****++
0.012	17.5	16.0	10.0	15.0	0.8	C33X1123-60****++
0.015	17.5	16.0	10.0	15.0	0.8	C33X1153-60****++
0.018	17.5	19.0	11.0	15.0	0.8	C33X1183-60****++
0.0022	26.5	15.0	6.0	22.5	0.8	C33X1222-90****++
0.0027	26.5	15.0	6.0	22.5	0.8	C33X1272-90****++
0.0033	26.5	15.0	6.0	22.5	0.8	C33X1332-90****++
0.0039	26.5	15.0	6.0	22.5	0.8	C33X1392-90****++
0.0047	26.5	15.0	6.0	22.5	0.8	C33X1472-90****++
0.0056	26.5	15.0	6.0	22.5	0.8	C33X1562-90****++
0.0068	26.5	15.0	6.0	22.5	0.8	C33X1682-90****++
0.0082	26.5	15.0	6.0	22.5	0.8	C33X1822-90****++
0.010	26.5	16.0	7.0	22.5	0.8	C33X1103-90****++
0.012	26.5	16.0	7.0	22.5	0.8	C33X1123-90****++
0.015	26.5	17.0	8.5	22.5	0.8	C33X1153-90****++
0.018	26.5	18.5	10.0	22.5	0.8	C33X1183-90****++
0.022	26.5	18.5	10.0	22.5	0.8	C33X1223-90****++
0.027	26.5	22.0	12.0	22.5	0.8	C33X1273-90****++
0.033	26.5	22.0	12.0	22.5	0.8	C33X1333-90****++

备注: 1. “-”表示容量偏差。 “-”=capacitance tolerance code, H=±3.0%, J=±5.0%, K=±10%
 2. “****”表示引线加工和包装代码(见table 1)。“****”=lead form and packing code(refer to table 1)

X-ON Electronics

Largest Supplier of Electrical and Electronic Components

Click to view similar products for [Film Capacitors](#) category:

Click to view products by [FARATRONIC](#) manufacturer:

Other Similar products are found below :

[703-6G](#) [82EC1100DQ50K](#) [MMWAF150KME](#) [PCY2130F30153](#) [QXJ2E474KTPT](#) [QXL2B333KTPT](#) [QXM2G104K](#) [DPM16S56K-1F](#)
[EEC2G505HQA406](#) [B32234-.033@250V-K](#) [B32520C6332K000](#) [B32522C6104K000](#) [B32523Q3155J](#) [B32676E6755K](#) [B81133-C1104-M3](#)
[MTC355L1](#) [217-0716-001](#) [PA225L30](#) [CB182K0184J--](#) [KP1830-247/061-G](#) [274ACF4400WA0J](#) [SCD105K122A3-22](#) [SCD205K122A3-24](#)
[A521HP102M400C](#) [F601BL225K063CL60A](#) [PCX2339F65224](#) [PCX2339F65334](#) [2222 368 55105](#) [2222 370 21683](#) [QXL2E473KTPT](#)
[445450-1](#) [B32524Q6155J](#) [46KI3100JBM1K](#) [MKP 1839-215-633](#) [MKP 1840-447-165](#) [MKP383510063JKP2T0](#) [WMC08P22](#)
[46KN410000N1K](#) [46KR368050M1M](#) [ECQ-W4223KZ](#) [EEC2G805HQA415](#) [PA103L30](#) [82DC3100DQ50J](#) [82DC4100AA60K](#)
[82EC2150DQ50K](#) [WMF1D68](#) [PHE841ED6150MR17T0](#) [VEA105K50](#) [82EC2220DQ50J](#) [F850AG102M300C](#)