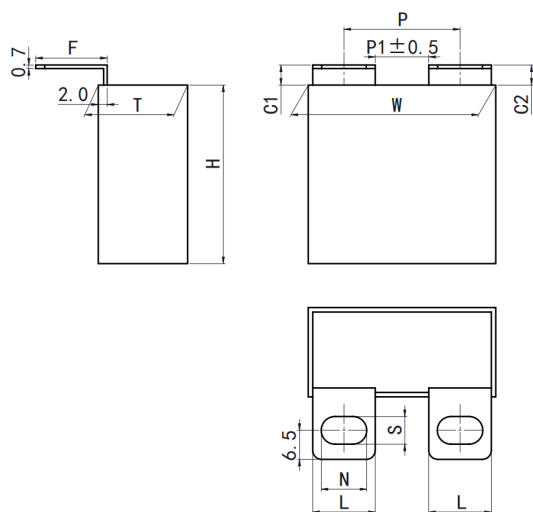


# C38

## IGBT 吸收电容器 (接线片) Snubber capacitor for IGBT(Lug terminals)

### 外形图 Outline Drawing



$L \times F \times N \times S = 14.0 \times 16.0 \times 10.2 \times 6.2$

图 1 (Style 1)

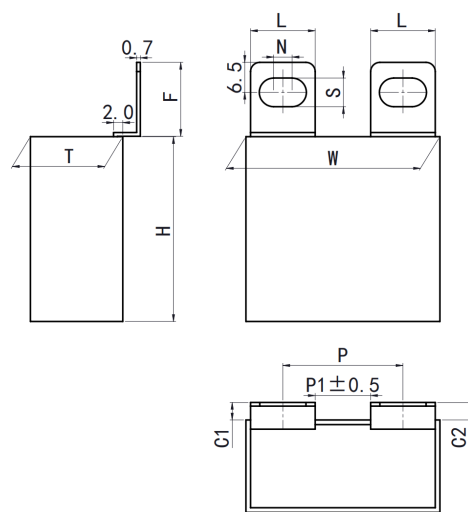
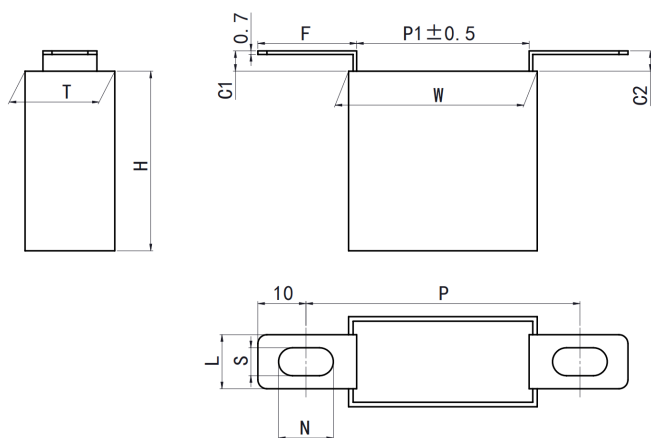
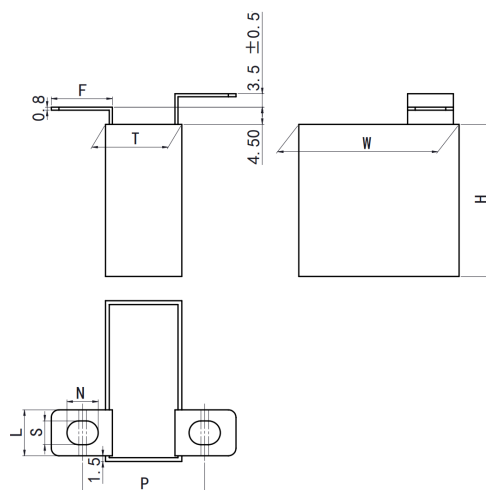


图 2 (Style 2)



$L \times F \times N \times S = 14.0 \times 22.0 \times 11.2 \times 6.2$   
or  
 $L \times F \times N \times S = 12.0 \times 22.0 \times 11.2 \times 6.2$

图 3 (Style 3)



$L \times F \times N \times S = 16.0 \times 12.0 \times 8.2 \times 6.2$

图 4 (Style 4)

### 特点

- 广泛应用于高压高频脉冲电路中
- 损耗小, 内部温升小
- 优异的阻燃性能
- 适合作为 IGBT 的吸收电容

### Features

- Widely used in high voltage, high frequency circuit
- Low loss and small inherent temperature rise
- Excellent active and passive flame resistant abilities
- Especially designed as snubber capacitor for IGBT

### 安全认证 Safety Approvals

|   |  |         |  |
|---|--|---------|--|
| ● |  | UL (美国) | UL 810 (construction only), Max. 5 000Vdc, 90°C<br>证书号 (File No.): E256238, CCN: CZDS2 |
|---|--|---------|--|



## ■ 技术要求 Specifications

|  |  |                      |
|--|--|----------------------|
| 引用标准 Reference Standard  | GB/T 17702 (IEC 61071)                             |                      |
| 气候类别 Climatic Category   | 40/85/56   |                      |
| 工作温度范围(外壳最高温度点)<br>Operating temperature range<br>(Max. temperature of case surface) | -40°C~85°C   |                      |
| 额定电压 Rated Voltage   | 630Vdc ~ 3 000Vdc                                  |                      |
| 电容范围 Capacitance Range   | 0.047μF ~ 9.0μF                                    |                      |
| 电容偏差 Capacitance Tolerance   | ±5% (J), ±10% (K)                                  |                      |
| 耐电压 Voltage Proof  | 1.6U <sub>N</sub> (10s)                            |                      |
| 损耗角正切<br>Dissipation Factor  | ≤5×10 <sup>-4</sup> (20°C, 1kHz)                   |                      |
| 绝缘电阻<br>Insulation Resistance  | IR≥100 000MΩ, C <sub>N</sub> ≤0.33μF               | (20°C, 100Vdc, 1min) |
|  | IR×C <sub>N</sub> ≥30 000s, C <sub>N</sub> >0.33μF |                      |
| 预期寿命<br>Expected lifetime  | 100 000h @ U <sub>N</sub> , θ <sub>hs</sub> =70°C  |                      |

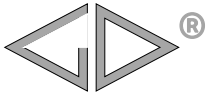
## ■ 产品编码说明 Part number system

### ■ 15 位产品代码如下:

The 15 digits part number is formed as follow:

|   |   |   |   |   |   |   |   |   |    |    |    |    |    |    |
|---|---|---|---|---|---|---|---|---|----|----|----|----|----|----|
| 1 | 2 | 3 | 4 | 5 | 6 | 7 | 8 | 9 | 10 | 11 | 12 | 13 | 14 | 15 |
| C | 3 | 8 |   |   |   |   |   |   |    |    |    |    |    |    |

|           |                                      |                |  |
|-----------|--------------------------------------|----------------|--|
| 第 1~3 位   | 型号代码                                 | Digit 1 to 3   | Series code                                  |
|           | C38                                  |                | C38  |
| 第 4~5 位   | 直流额定电压                               | Digit 4 to 5   | D.C. rated voltage                           |
|           | 2J=630V    1V=700V    1W=850V        |                | 2J=630V    1V=700V    1W=850V                |
|           | 3A=1 000V    3L=1 200V    3C=1 600V  |                | 3A=1 000V    3L=1 200V    3C=1 600V          |
|           | 7M=1 700V    3D=2 000V    3E= 2 500V |                | 7M=1 700V    3D=2 000V    3E= 2 500V         |
|           | 4Q=3 000V                            |                | 4Q=3 000V                                    |
| 第 6~8 位   | 标称容量                                 | Digit 6 to 8   | Rated capacitance value                      |
|           | 举例: 105=10×10 <sup>5</sup> pF=1.0μF  |                | for example: 105=10×10 <sup>5</sup> pF=1.0μF |
| 第 9 位     | 容量偏差                                 | Digit 9        | Capacitance tolerance                        |
|           | J=±5%, K=±10%                        |                | J=±5%, K=±10%                                |
| 第 10 位    | 安装孔距 P                               | Digit 10       | Distance of hole for fixing                  |
|           | 见表 1.2                               |                | Referring to table 1.2                       |
| 第 11 位    | 内部特征码                                | Digit 11       | Internal use                                 |
| 第 12~15 位 | 引出端代码                                | Digit 12 to 15 | Terminals code                               |
|           | 见表 2                                 |                | Referring to table 2                         |



■ Table 1.1 安装孔距的选择 Selecting for distance of hole for fixing

单位: mm

| 额定电压<br>D.C. rated voltage   | 焊片的引出方式<br>Style of solder slice  | 外壳宽度<br>Width of case | 安装孔距<br>Distance of hole for fixing |         | 焊片间距<br>The distance of solder slice |    |
|--|-----------------------------------|-----------------------|-------------------------------------|---------|--------------------------------------|----|
|  |                                   | W                     | P                                   | Code    | P1                                   |    |
| 630Vdc<br>700Vdc<br>850Vdc<br>1 000Vdc                               | 图 1(Style 1)<br>或<br>图 2(Style 2) | 37/42                 | 17 ~ 25                             | B       | 7                                    |    |
|  |                                   |                       | 22 ~ 30                             | C       | 12                                   |    |
|  | 图 3(Style 3)                      | 57                    | 30 ~ 38                             | D       | 20                                   |    |
|  |                                   |                       | 35 ~ 43                             | E       | 25                                   |    |
|  | 图 3(Style 3)                      | 37                    | 52 ~ 62                             | K       | 33                                   |    |
|  |                                   |                       | 42                                  | 57 ~ 67 | L                                    | 38 |
| 57   | 70 ~ 80                           | 7                     | 51                                  |         |                                      |    |
| 1 200Vdc<br>1 600Vdc<br>1 700Vdc<br>2 000Vdc<br>2 500Vdc<br>3 000Vdc | 图 1(Style 1)<br>或<br>图 2(Style 2) | 37/42                 | 16 ~ 24                             | 1       | 6                                    |    |
|  |                                   |                       | 21 ~ 29                             | 2       | 11                                   |    |
|  | 图 2(Style 2)                      | 57                    | 31 ~ 39                             | 3       | 21                                   |    |
|  |                                   |                       | 36 ~ 44                             | 4       | 26                                   |    |
|  | 图 3(Style 3)                      | 37                    | 51 ~ 61                             | 5       | 32                                   |    |
|  |                                   |                       | 42                                  | 56 ~ 66 | 6                                    | 37 |
|  |                                   |                       | 57                                  | 71 ~ 81 | J                                    | 52 |

■ Table 1.2 安装孔距的选择 Selecting for distance of hole for fixing

单位: mm

| 额定电压<br>D.C. rated voltage | 焊片的引出方式<br>Style of solder slice | 外壳厚度<br>Thickness of case | 安装孔距<br>Distance of hole for fixing |      | 焊片间距<br>The distance of solder slice |
|----------------------------|----------------------------------|---------------------------|-------------------------------------|------|--------------------------------------|
|                            |                                  | T                         | P                                   | Code | P1                                   |
| 630Vdc<br>~<br>3 000Vdc    | 图 4(Style 4)                     | 19                        | 30 ~ 34                             | F    | 15                                   |
| 25                         |                                  | 36 ~ 40                   | G                                   | 21   |                                      |
| 30                         |                                  | 41 ~ 45                   | H                                   | 26   |                                      |

注: 图 4 引出方式适用的具体规格, 需根据客户要求设计才能确定。

Whether or not the forth style of solder slice is valid, must be designed on request of customer.

■ Table 2 引出端代码 Terminals code

单位: mm

| 第 13 位 Digit 13      |           |    | 第 14 位 Digit 14                  |               | 第 15 位 Digit 15               |                    | Note<br>(Case dimension of T) |
|----------------------|-----------|----|----------------------------------|---------------|-------------------------------|--------------------|-------------------------------|
| C 高度<br>Height for C |           |    | 焊片的引出方式<br>Style of solder slice |               | 焊片的尺寸<br>Size of solder slice |                    |                               |
| Code                 | C1        | C2 | Code                             | 图(Style)      | Code                          | L×F×N×S            |                               |
| 0                    | (C1=C2)<3 |    | 1                                | 图 1(Style 1)  | 1                             | 14.0×16.0×10.2×6.2 | —                             |
| 1                    | C1=C2=6   |    | 2                                | 图 2(Style 2)  | 2                             | 14.0×22.0×11.2×6.2 | T≥20                          |
|                      |           |    | 3                                | 图 3(Style 3)  |                               | 6                  | 12.0×22.0×11.2×6.2            |
|                      |           |    | 4                                | 图 4 (Style 4) | 0                             | 16.0×12.0×8.2×6.2  | —                             |

注: C1、C2 尺寸可以按用户需要商定。

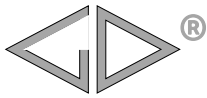
Dimensions of C1 and C2 are adjustable on request.



■ 技术参数 Technical data(mm)

| 630Vdc/700Vdc(420Vac) <sup>#</sup> |           |           |           |                 |           |                        |                        |  |                |
|------------------------------------|-----------|-----------|-----------|-----------------|-----------|------------------------|------------------------|--|----------------|
| C <sub>N</sub><br>(μF)             | W<br>±1.0 | H<br>±1.0 | T<br>±1.0 | dV/dt<br>(V/μs) | Î<br>(A) | ESR<br>@100kHz<br>(mΩ) | L <sub>s</sub><br>(nH) | I <sub>max</sub><br>100kHz@70°C<br>(A) | Part number    |
| 0.68                               | 37.0      | 25.0      | 15.0      | 900             | 612       | 5.0                    | 23                     | 9                                      | C381V684*01*** |
| 1.0                                | 37.0      | 30.0      | 16.0      | 900             | 900       | 5.0                    | 23                     | 12                                     | C381V105*01*** |
| 1.2                                | 37.0      | 30.0      | 16.0      | 900             | 1 080     | 4.5                    | 23                     | 14                                     | C381V125*01*** |
| 1.5                                | 37.0      | 34.0      | 20.0      | 900             | 1 350     | 4.5                    | 23                     | 17                                     | C381V155*01*** |
| 1.8                                | 37.0      | 34.0      | 20.0      | 900             | 1 620     | 4.5                    | 23                     | 18                                     | C381V185*01*** |
| 2.0                                | 42.0      | 40.0      | 20.0      | 600             | 1 200     | 4.0                    | 29                     | 18                                     | C381V205*02*** |
| 2.2                                | 42.0      | 40.0      | 20.0      | 600             | 1 320     | 4.0                    | 29                     | 18.5                                   | C381V225*02*** |
| 2.5                                | 42.0      | 40.0      | 20.0      | 600             | 1 500     | 4.0                    | 29                     | 19                                     | C381V255*02*** |
| 3.0                                | 42.0      | 44.0      | 24.0      | 600             | 1 800     | 4.0                    | 29                     | 20                                     | C381V305*02*** |
| 3.3                                | 42.0      | 44.0      | 24.0      | 600             | 1 980     | 3.5                    | 29                     | 20                                     | C381V335*02*** |
| 4.0                                | 42.0      | 44.0      | 24.0      | 600             | 2 400     | 3.5                    | 29                     | 21                                     | C381V405*02*** |
| 4.7                                | 42.0      | 45.0      | 30.0      | 600             | 2 820     | 3.5                    | 29                     | 23                                     | C381V475*02*** |
| 5.0                                | 42.0      | 45.0      | 30.0      | 600             | 3 000     | 3.0                    | 29                     | 23.5                                   | C381V505*02*** |
| 6.0                                | 42.0      | 43.0      | 42.0      | 600             | 3 600     | 3.0                    | 29                     | 25                                     | C381V605*02*** |
| 6.5                                | 42.0      | 43.0      | 42.0      | 600             | 3 900     | 3.0                    | 29                     | 26                                     | C381V655*02*** |
| 6.5                                | 57.0      | 45.0      | 30.0      | 360             | 2 340     | 2.5                    | 33                     | 24                                     | C381V655*03*** |
| 7.0                                | 57.0      | 45.0      | 30.0      | 360             | 2 520     | 2.5                    | 33                     | 25                                     | C381V705*03*** |
| 8.0                                | 57.0      | 50.0      | 35.0      | 360             | 2 880     | 2.5                    | 33                     | 27                                     | C381V805*03*** |
| 9.0                                | 57.0      | 50.0      | 35.0      | 360             | 3 240     | 2.5                    | 33                     | 29                                     | C381V905*03*** |

| 850Vdc(450Vac)         |           |           |           |                 |           |                        |                        |  |                |
|------------------------|-----------|-----------|-----------|-----------------|-----------|------------------------|------------------------|--|----------------|
| C <sub>N</sub><br>(μF) | W<br>±1.0 | H<br>±1.0 | T<br>±1.0 | dV/dt<br>(V/μs) | Î<br>(A) | ESR<br>@100kHz<br>(mΩ) | L <sub>s</sub><br>(nH) | I <sub>max</sub><br>100kHz@70°C<br>(A) | Part number    |
| 0.47                   | 37.0      | 25.0      | 15.0      | 1 200           | 564       | 5.0                    | 23                     | 9                                      | C381W474*01*** |
| 0.68                   | 37.0      | 30.0      | 16.0      | 1 200           | 816       | 5.0                    | 23                     | 12                                     | C381W684*01*** |
| 1.0                    | 37.0      | 34.0      | 20.0      | 1 200           | 1 200     | 5.0                    | 23                     | 14                                     | C381W105*01*** |
| 1.2                    | 37.0      | 34.0      | 20.0      | 1 200           | 1 440     | 5.0                    | 23                     | 16                                     | C381W125*01*** |
| 1.5                    | 37.0      | 34.0      | 20.0      | 1 200           | 1 800     | 5.0                    | 23                     | 18                                     | C381W155*01*** |
| 1.5                    | 42.0      | 40.0      | 20.0      | 750             | 1 125     | 4.5                    | 29                     | 18.5                                   | C381W155*02*** |
| 2.0                    | 42.0      | 40.0      | 20.0      | 750             | 1 500     | 4.5                    | 29                     | 19                                     | C381W205*02*** |
| 2.2                    | 42.0      | 40.0      | 20.0      | 750             | 1 650     | 4.5                    | 29                     | 19.5                                   | C381W225*02*** |
| 2.5                    | 42.0      | 44.0      | 24.0      | 750             | 1 875     | 4.5                    | 29                     | 20                                     | C381W255*02*** |
| 3.0                    | 42.0      | 44.0      | 24.0      | 750             | 2 250     | 4.5                    | 29                     | 21                                     | C381W305*02*** |
| 3.3                    | 42.0      | 45.0      | 30.0      | 750             | 2 475     | 4.5                    | 29                     | 21.5                                   | C381W335*02*** |
| 4.0                    | 42.0      | 43.0      | 42.0      | 750             | 3 000     | 4.5                    | 29                     | 22                                     | C381W405*02*** |
| 4.0                    | 57.0      | 45.0      | 30.0      | 450             | 1 800     | 4.0                    | 33                     | 23                                     | C381W405*03*** |
| 4.7                    | 57.0      | 45.0      | 30.0      | 450             | 2 115     | 4.0                    | 33                     | 24.5                                   | C381W475*03*** |
| 5.0                    | 57.0      | 45.0      | 30.0      | 450             | 2 250     | 4.0                    | 33                     | 25                                     | C381W505*03*** |
| 6.0                    | 57.0      | 50.0      | 35.0      | 450             | 2 700     | 4.0                    | 33                     | 26                                     | C381W605*03*** |
| 6.5                    | 57.0      | 50.0      | 35.0      | 450             | 2 925     | 4.0                    | 33                     | 27                                     | C381W655*03*** |

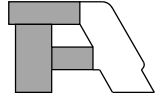


# C38

## ■ 技术参数 Technical data(mm)

| 1 000Vdc(500Vac)       |           |           |           |                 |           |                        |                        |  |                 |
|------------------------|-----------|-----------|-----------|-----------------|-----------|------------------------|------------------------|--|-----------------|
| C <sub>N</sub><br>(μF) | W<br>±1.0 | H<br>±1.0 | T<br>±1.0 | dV/dt<br>(V/μs) | İ<br>(A) | ESR<br>@100kHz<br>(mΩ) | L <sub>s</sub><br>(nH) | I <sub>max</sub><br>100kHz@70°C<br>(A) | Part number     |
| 0.47                   | 37.0      | 25.0      | 15.0      | 1 300           | 611       | 5.0                    | 23                     | 9                                      | C383A474-*01*** |
| 0.68                   | 37.0      | 30.0      | 16.0      | 1 300           | 884       | 5.0                    | 23                     | 10.5                                   | C383A684-*01*** |
| 0.82                   | 37.0      | 30.0      | 16.0      | 1 300           | 1 066     | 5.0                    | 23                     | 12                                     | C383A824-*01*** |
| 1.0                    | 37.0      | 34.0      | 20.0      | 1 300           | 1 300     | 4.5                    | 23                     | 15                                     | C383A105-*01*** |
| 1.2                    | 37.0      | 34.0      | 20.0      | 1 300           | 1 560     | 4.5                    | 23                     | 17                                     | C383A125-*01*** |
| 1.2                    | 42.0      | 40.0      | 20.0      | 850             | 1 020     | 4.5                    | 29                     | 16                                     | C383A125-*02*** |
| 1.5                    | 42.0      | 40.0      | 20.0      | 850             | 1 275     | 4.5                    | 29                     | 16                                     | C383A155-*02*** |
| 2                      | 42.0      | 44.0      | 24.0      | 850             | 1 700     | 4.5                    | 29                     | 17                                     | C383A205-*02*** |
| 2.2                    | 42.0      | 44.0      | 24.0      | 850             | 1 870     | 4.0                    | 29                     | 20                                     | C383A225-*02*** |
| 2.5                    | 42.0      | 45.0      | 30.0      | 850             | 2 125     | 4.0                    | 29                     | 21                                     | C383A255-*02*** |
| 3.0                    | 42.0      | 45.0      | 30.0      | 850             | 2 550     | 4.0                    | 29                     | 21.5                                   | C383A305-*02*** |
| 3.3                    | 42.0      | 43.0      | 42.0      | 850             | 2 805     | 4.0                    | 29                     | 22                                     | C383A335-*02*** |
| 3.3                    | 57.0      | 45.0      | 30.0      | 500             | 1 650     | 4.0                    | 33                     | 20                                     | C383A335-*03*** |
| 4.0                    | 57.0      | 45.0      | 30.0      | 500             | 2 000     | 4.0                    | 33                     | 21                                     | C383A405-*03*** |
| 4.7                    | 57.0      | 50.0      | 35.0      | 500             | 2 350     | 4.0                    | 33                     | 22                                     | C383A475-*03*** |
| 5.0                    | 57.0      | 50.0      | 35.0      | 500             | 2 500     | 4.0                    | 33                     | 23                                     | C383A505-*03*** |

| 1 200Vdc(600Vac)       |           |           |           |                 |           |                        |                        |  |                 |
|------------------------|-----------|-----------|-----------|-----------------|-----------|------------------------|------------------------|--|-----------------|
| C <sub>N</sub><br>(μF) | W<br>±1.0 | H<br>±1.0 | T<br>±1.0 | dV/dt<br>(V/μs) | İ<br>(A) | ESR<br>@100kHz<br>(mΩ) | L <sub>s</sub><br>(nH) | I <sub>max</sub><br>100kHz@70°C<br>(A) | Part number     |
| 0.33                   | 37.0      | 25.0      | 15.0      | 1500            | 495       | 4.5                    | 23                     | 9                                      | C383L334-*01*** |
| 0.47                   | 37.0      | 30.0      | 16.0      | 1500            | 705       | 4.5                    | 23                     | 11                                     | C383L474-*01*** |
| 0.68                   | 37.0      | 34.0      | 20.0      | 1500            | 1 020     | 4.5                    | 23                     | 12.5                                   | C383L684-*01*** |
| 0.75                   | 37.0      | 34.0      | 20.0      | 1500            | 1 125     | 4.5                    | 23                     | 13                                     | C383L754-*01*** |
| 0.82                   | 42.0      | 40.0      | 20.0      | 950             | 779       | 4.0                    | 29                     | 14.5                                   | C383L824-*02*** |
| 1.0                    | 42.0      | 40.0      | 20.0      | 950             | 950       | 4.0                    | 29                     | 16                                     | C383L105-*02*** |
| 1.2                    | 42.0      | 44.0      | 24.0      | 950             | 1 140     | 4.0                    | 29                     | 19                                     | C383L125-*02*** |
| 1.5                    | 42.0      | 44.0      | 24.0      | 950             | 1 425     | 4.0                    | 29                     | 19.5                                   | C383L155-*02*** |
| 2.0                    | 42.0      | 45.0      | 30.0      | 950             | 1 900     | 4.0                    | 29                     | 20                                     | C383L205-*02*** |
| 2.2                    | 42.0      | 43.0      | 42.0      | 950             | 2 090     | 4.0                    | 29                     | 21                                     | C383L225-*02*** |
| 2.5                    | 42.0      | 43.0      | 42.0      | 950             | 2 375     | 4.0                    | 29                     | 22                                     | C383L255-*02*** |
| 2.2                    | 57.0      | 45.0      | 30.0      | 600             | 1 320     | 3.8                    | 33                     | 20                                     | C383L225-*03*** |
| 2.5                    | 57.0      | 45.0      | 30.0      | 600             | 1 500     | 3.8                    | 33                     | 21                                     | C383L255-*03*** |
| 3.0                    | 57.0      | 45.0      | 30.0      | 600             | 1 800     | 3.8                    | 33                     | 22                                     | C383L305-*03*** |
| 3.3                    | 57.0      | 50.0      | 35.0      | 600             | 1 980     | 3.8                    | 33                     | 23                                     | C383L335-*03*** |
| 4.0                    | 57.0      | 50.0      | 35.0      | 600             | 2 400     | 3.8                    | 33                     | 24                                     | C383L405-*03*** |

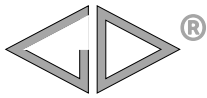


■ 技术参数 Technical data(mm)

| 1 600Vdc(650Vac)       |           |           |           |                 |           |                        |                        |  |                 |
|------------------------|-----------|-----------|-----------|-----------------|-----------|------------------------|------------------------|--|-----------------|
| C <sub>N</sub><br>(μF) | W<br>±1.0 | H<br>±1.0 | T<br>±1.0 | dV/dt<br>(V/μs) | Î<br>(A) | ESR<br>@100kHz<br>(mΩ) | L <sub>s</sub><br>(nH) | I <sub>max</sub><br>100kHz@70°C<br>(A) | Part number     |
| 0.22                   | 37.0      | 25.0      | 15.0      | 1900            | 418       | 6.0                    | 23                     | 8                                      | C383C224-*01*** |
| 0.33                   | 37.0      | 30.0      | 16.0      | 1900            | 627       | 6.0                    | 23                     | 10                                     | C383C334-*01*** |
| 0.39                   | 37.0      | 34.0      | 20.0      | 1900            | 741       | 5.5                    | 23                     | 12                                     | C383C394-*01*** |
| 0.47                   | 37.0      | 34.0      | 20.0      | 1900            | 893       | 5.5                    | 23                     | 14                                     | C383C474-*01*** |
| 0.68                   | 42.0      | 40.0      | 20.0      | 1250            | 850       | 4.0                    | 29                     | 16                                     | C383C684-*02*** |
| 0.82                   | 42.0      | 44.0      | 24.0      | 1250            | 1025      | 4.0                    | 29                     | 19                                     | C383C824-*02*** |
| 1.0                    | 42.0      | 45.0      | 30.0      | 1250            | 1250      | 4.0                    | 29                     | 19.5                                   | C383C105-*02*** |
| 1.2                    | 42.0      | 45.0      | 30.0      | 1250            | 1500      | 4.0                    | 29                     | 20                                     | C383C125-*02*** |
| 1.5                    | 42.0      | 43.0      | 42.0      | 1250            | 1875      | 4.0                    | 29                     | 21                                     | C383C155-*02*** |
| 1.5                    | 57.0      | 45.0      | 30.0      | 750             | 1125      | 3.5                    | 33                     | 22                                     | C383C155-*03*** |
| 2.0                    | 57.0      | 50.0      | 35.0      | 750             | 1500      | 3.5                    | 33                     | 24                                     | C383C205-*03*** |

| 1 700Vdc (675Vac)      |           |           |           |                 |           |                        |                        |  |                 |
|------------------------|-----------|-----------|-----------|-----------------|-----------|------------------------|------------------------|--|-----------------|
| C <sub>N</sub><br>(μF) | W<br>±1.0 | H<br>±1.0 | T<br>±1.0 | dV/dt<br>(V/μs) | Î<br>(A) | ESR<br>@100kHz<br>(mΩ) | L <sub>s</sub><br>(nH) | I <sub>max</sub><br>100kHz@70°C<br>(A) | Part number     |
| 0.15                   | 37.0      | 25.0      | 15.0      | 2000            | 300       | 7.0                    | 23                     | 7                                      | C387M154-*01*** |
| 0.22                   | 37.0      | 30.0      | 16.0      | 2000            | 440       | 6.0                    | 23                     | 9                                      | C387M224-*01*** |
| 0.33                   | 37.0      | 34.0      | 20.0      | 2000            | 660       | 5.5                    | 23                     | 11.5                                   | C387M334-*01*** |
| 0.39                   | 37.0      | 34.0      | 20.0      | 2000            | 780       | 5.5                    | 23                     | 13                                     | C387M394-*01*** |
| 0.47                   | 42.0      | 36.0      | 24.0      | 1260            | 592       | 4.0                    | 29                     | 14                                     | C387M474-*02*** |
| 0.56                   | 42.0      | 36.0      | 24.0      | 1260            | 706       | 4.0                    | 29                     | 15.5                                   | C387M564-*02*** |
| 0.68                   | 42.0      | 44.0      | 24.0      | 1260            | 857       | 3.5                    | 29                     | 18                                     | C387M684-*02*** |
| 0.82                   | 42.0      | 44.0      | 24.0      | 1260            | 1033      | 3.5                    | 29                     | 19                                     | C387M824-*02*** |
| 1.0                    | 42.0      | 45.0      | 30.0      | 1260            | 1260      | 3.5                    | 29                     | 20                                     | C387M105-*02*** |
| 1.2                    | 42.0      | 43.0      | 42.0      | 1260            | 1512      | 3.5                    | 29                     | 21                                     | C387M125-*02*** |
| 1.0                    | 57.0      | 45.0      | 25.0      | 780             | 780       | 3.5                    | 33                     | 18                                     | C387M105-*03*** |
| 1.2                    | 57.0      | 43.5      | 29.5      | 780             | 936       | 3.5                    | 33                     | 19                                     | C387M125-*03*** |
| 1.5                    | 57.0      | 50.0      | 35.0      | 780             | 1170      | 3.0                    | 33                     | 22                                     | C387M155-*03*** |
| 2.0                    | 57.0      | 50.0      | 35.0      | 780             | 1560      | 3.0                    | 33                     | 24                                     | C387M205-*03*** |
| 3.0                    | 57.0      | 55.0      | 45.0      | 780             | 2340      | 3.0                    | 33                     | 28                                     | C387M305-*03*** |

| 2 000Vdc(700Vac)       |           |           |           |                 |           |                        |                        |  |                 |
|------------------------|-----------|-----------|-----------|-----------------|-----------|------------------------|------------------------|--|-----------------|
| C <sub>N</sub><br>(μF) | W<br>±1.0 | H<br>±1.0 | T<br>±1.0 | dV/dt<br>(V/μs) | Î<br>(A) | ESR<br>@100kHz<br>(mΩ) | L <sub>s</sub><br>(nH) | I <sub>max</sub><br>100kHz@70°C<br>(A) | Part number     |
| 0.10                   | 37.0      | 25.0      | 15.0      | 2241            | 224       | 8.0                    | 23                     | 7                                      | C383D104-*01*** |
| 0.15                   | 37.0      | 25.0      | 15.0      | 2241            | 336       | 8.0                    | 23                     | 8.5                                    | C383D154-*01*** |
| 0.22                   | 37.0      | 30.0      | 16.0      | 2241            | 493       | 6.0                    | 23                     | 10                                     | C383D224-*01*** |
| 0.33                   | 37.0      | 34.0      | 20.0      | 2241            | 740       | 6.0                    | 23                     | 13                                     | C383D334-*01*** |
| 0.47                   | 42.0      | 40.0      | 20.0      | 1300            | 611       | 4.0                    | 29                     | 15.5                                   | C383D474-*02*** |
| 0.56                   | 42.0      | 44.0      | 24.0      | 1300            | 728       | 4.0                    | 29                     | 18                                     | C383D564-*02*** |
| 0.68                   | 42.0      | 44.0      | 24.0      | 1300            | 884       | 3.5                    | 29                     | 18.5                                   | C383D684-*02*** |
| 0.82                   | 42.0      | 45.0      | 30.0      | 1300            | 1066      | 3.5                    | 29                     | 19                                     | C383D824-*02*** |
| 1.0                    | 42.0      | 43.0      | 42.0      | 1300            | 1300      | 3.5                    | 29                     | 21                                     | C383D105-*02*** |
| 1.0                    | 57.0      | 45.0      | 30.0      | 850             | 850       | 4.0                    | 33                     | 24                                     | C383D105-*03*** |
| 1.2                    | 57.0      | 45.0      | 30.0      | 850             | 1020      | 4.0                    | 33                     | 23                                     | C383D125-*03*** |
| 1.5                    | 57.0      | 50.0      | 35.0      | 850             | 1275      | 4.0                    | 33                     | 24                                     | C383D155-*03*** |



C38

### ■ 技术参数 Technical data(mm)

| 2 500Vdc(725Vac)       |           |           |           |                 |                  |                        |                        |  |                 |
|------------------------|-----------|-----------|-----------|-----------------|------------------|------------------------|------------------------|--|-----------------|
| C <sub>N</sub><br>(μF) | W<br>±1.0 | H<br>±1.0 | T<br>±1.0 | dV/dt<br>(V/μs) | $\hat{I}$<br>(A) | ESR<br>@100kHz<br>(mΩ) | L <sub>s</sub><br>(nH) | I <sub>max</sub><br>100kHz@70°C<br>(A) | Part number     |
| 0.068                  | 37.0      | 25.0      | 15.0      | 3 230           | 220              | 8.5                    | 23                     | 6.5                                    | C383E683-*01*** |
| 0.10                   | 37.0      | 30.0      | 16.0      | 3 230           | 323              | 8.5                    | 23                     | 8                                      | C383E104-*01*** |
| 0.15                   | 37.0      | 34.0      | 20.0      | 3 230           | 485              | 8.0                    | 23                     | 11                                     | C383E154-*01*** |
| 0.18                   | 37.0      | 34.0      | 20.0      | 3 230           | 581              | 7.5                    | 23                     | 12.5                                   | C383E184-*01*** |
| 0.22                   | 42.0      | 40.0      | 20.0      | 2 100           | 462              | 4.0                    | 29                     | 14                                     | C383E224-*02*** |
| 0.33                   | 42.0      | 44.0      | 24.0      | 2 100           | 693              | 4.0                    | 29                     | 15.5                                   | C383E334-*02*** |
| 0.47                   | 42.0      | 45.0      | 30.0      | 2 100           | 987              | 3.5                    | 29                     | 18                                     | C383E474-*02*** |
| 0.68                   | 42.0      | 43.0      | 42.0      | 2 100           | 1 428            | 3.5                    | 29                     | 18.5                                   | C383E684-*02*** |
| 0.68                   | 57.0      | 45.0      | 30.0      | 1 200           | 816              | 3.5                    | 33                     | 19                                     | C383E684-*03*** |
| 1.0                    | 57.0      | 50.0      | 35.0      | 1 200           | 1 200            | 3.5                    | 33                     | 19.5                                   | C383E105-*03*** |

| 3 000Vdc(750Vac)       |           |           |           |                 |                  |                        |                        |  |                 |
|------------------------|-----------|-----------|-----------|-----------------|------------------|------------------------|------------------------|--|-----------------|
| C <sub>N</sub><br>(μF) | W<br>±1.0 | H<br>±1.0 | T<br>±1.0 | dV/dt<br>(V/μs) | $\hat{I}$<br>(A) | ESR<br>@100kHz<br>(mΩ) | L <sub>s</sub><br>(nH) | I <sub>max</sub><br>100kHz@70°C<br>(A) | Part number     |
| 0.047                  | 37.0      | 25.0      | 15.0      | 3 361           | 158              | 8.5                    | 23                     | 7.5                                    | C384Q473-*01*** |
| 0.068                  | 37.0      | 30.0      | 16.0      | 3 361           | 229              | 8.0                    | 23                     | 9                                      | C384Q683-*01*** |
| 0.10                   | 37.0      | 34.0      | 20.0      | 3 361           | 336              | 7.5                    | 23                     | 10.5                                   | C384Q104-*01*** |
| 0.15                   | 37.0      | 34.0      | 20.0      | 3 361           | 504              | 7.0                    | 23                     | 12                                     | C384Q154-*01*** |
| 0.22                   | 42.0      | 40.0      | 20.0      | 2 050           | 451              | 5.0                    | 29                     | 13                                     | C384Q224-*02*** |
| 0.33                   | 42.0      | 45.0      | 30.0      | 2 050           | 677              | 4.5                    | 29                     | 16.5                                   | C384Q334-*02*** |
| 0.47                   | 42.0      | 43.0      | 42.0      | 2 050           | 964              | 4.0                    | 29                     | 18                                     | C384Q474-*02*** |
| 0.47                   | 57.0      | 45.0      | 30.0      | 1 200           | 564              | 4.0                    | 33                     | 18.5                                   | C384Q474-*03*** |
| 0.68                   | 57.0      | 50.0      | 35.0      | 1 200           | 816              | 4.0                    | 33                     | 19                                     | C384Q684-*03*** |
| 0.82                   | 57.0      | 50.0      | 35.0      | 1 200           | 984              | 3.5                    | 33                     | 20                                     | C384Q824-*03*** |

- 备注 Note: 1. “-”表示容量偏差。 “-” =capacitance tolerance code, J=±5%, K=±10%。  
 2. “\*”表示脚距代码(见 table 1)。“\*\*” = Pitch (refer to table 1)。  
 3. “\*\*\*”表示引出端形式代码(见 table 2)。“\*\*\*\*” =terminal form code(refer to table 2)  
 4. “#”当额定电压为 630Vdc 时,第 4~5 位为 2J。“#” when the rated voltage is 630Vdc, the digit 4~5 is 2J.  
 5. “I<sub>max</sub>”测试条件:环境温度 70°C,频率 100kHz,外壳温度达到 85°C下的有效值。  
 “I<sub>max</sub>” at 100kHz, θ<sub>amb</sub>=70°C, θ<sub>case</sub>=85°C.  
 6. “ESR”、“L<sub>s</sub>”均为典型值。“ESR”、“L<sub>s</sub>” are typical values.

## X-ON Electronics

Largest Supplier of Electrical and Electronic Components

*Click to view similar products for [Film Capacitors](#) category:*

*Click to view products by [FARATRONIC](#) manufacturer:*

Other Similar products are found below :

[703-6G](#) [82DC4100CK60J](#) [82EC1100DQ50K](#) [MMWAF150KME](#) [PCY2130F30153](#) [QXJ2E474KTPT](#) [QXL2B333KTPT](#) [QXM2G104K](#)  
[DPM16S56K-1F](#) [EEC2G505HQA406](#) [B32234-.033@250V-K](#) [B81133-C1104-M3](#) [MTC355L1](#) [217-0716-001](#) [PA225L30](#) [CB182K0184J--](#)  
[KP1830-247/061-G](#) [274ACF4400WA0J](#) [274ACF5150WA0J](#) [SCD105K122A3-22](#) [SCD205K122A3-24](#) [PCX2339F65224](#) [PCX2339F65334](#)  
[2222 368 55105](#) [2222 370 21683](#) [QXL2E473KTPT](#) [445450-1](#) [MKT182022263473](#) [WMC08P22](#) [46KN410000N1K](#) [46KR368050M1M](#) [ECQ-](#)  
[W4223KZ](#) [EEC2G805HQA415](#) [PA103L30](#) [82DC4100AA60K](#) [82EC2150DQ50K](#) [VEA105K50](#) [82IC2150DQ50J](#) [82EC2220DQ50J](#)  
[MTC55L4](#) [MTC56L4](#) [PA104L30](#) [PA224L30](#) [82DC3220AA60J](#) [82EC4100DQ70J](#) [WYP-104M](#) [82CC4220AA70J](#) [82EC3100Z370J](#)  
[B32656S8105K566](#) [EEC2G105HQA401](#)