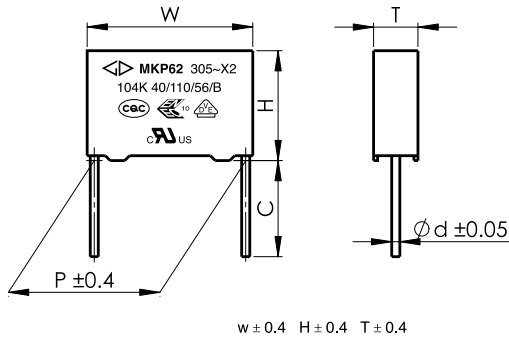


金属化聚丙烯膜抗干扰电容器 (X2类, 305Vac/275Vac, 小型化) Metallized polypropylene film Interference Suppression capacitor (Class X2, 305Vac/275Vac, Miniature version)

■ 外形图 Outline Drawing



■ 特点

- 金属化聚丙烯
- 能承受过压冲击
- 优异的阻燃性能
- 用于电源跨线路等抗干扰场合(室内)

■ Features

- Metallized polypropylene structure
- Withstanding overvoltage stressing
- Excellent active and passive flame resistant abilities
- Used in across-the-line, interference suppression circuit (indoor applications)

■ 安全认证 Safety Approvals

●		CQC (中国)	IEC 60384-14:2013, X2, 305Vac/275Vac, 0.0010 μF~50.0 μF, 40/110/56/B 证书号(Certificate No.): CQC03001002875
●		ENEC-VDE (欧盟)	EN 60384-14:2013, X2, 305Vac/275Vac, 0.0010 μF~50.0 μF, 40/110/56/B 证书号(Certificate No.): 40000358
●		UL/CUL (美国/加拿大)	UL 60384-14:2009, CSA E60384-14:09, X2, 305Vac/275Vac, 0.0010 μF~50.0 μF, 40/110/56/B 证书号(File No.): E186600, CCN: FOWX2/8
●		KC (韩国)	K 60384-14(2006-12), X2, 305Vac/275Vac, 0.0010 μF~3.0 μF, 40/110/56/B 证书号(Certificate No.): SU03060-12001A/12002/12003/12004

■ 技术要求 Specifications

电容器类别 Class	X2 类		
气候类别 / 阻燃等级 Climatic Category/Passive Flammability Category	40/110/56/B		
工作温度范围 Operating Temperature Range	-40°C ~ +110°C		
额定电压 Rated Voltage (U _R)	305Vac/275Vac, 50/60Hz		
最大额定电源电压 Max rated supply mains voltage	250Vac, 50/60Hz		
最大连续直流电压 Maximum continuous DC voltage	560Vdc		
电容量范围 Capacitance Range	0.033μF ~ 0.47μF		
电容量偏差 Capacitance Tolerance	± 10%(K), ± 20%(M)		
耐电压 Voltage Proof	引线之间 Between Terminals:	4.3U _R (dc), 2s	
	极壳之间 Between Terminals To Case:	2 120Vac, 1min	
绝缘电阻 Insulation Resistance	R ≥ 15 000MΩ, C _N ≤ 0.33μF RC _N ≥ 5 000s, C _N > 0.33μF (20°C, 100V, 1min)		
损耗角正切 Dissipation Factor (tan δ)	0.033μF ≤ C _N < 0.47μF	≤ 10 × 10 ⁻⁴ (1kHz, 20°C)	≤ 20 × 10 ⁻⁴ (10kHz, 20°C)
	C _N = 0.47μF	≤ 20 × 10 ⁻⁴ (1kHz, 20°C)	≤ 40 × 10 ⁻⁴ (10kHz, 20°C)



MKP62

Code: C42

产品编码说明 Part number system

■ 18位产品代码如下:

The 18 digits part number is formed as follow:

1	2	3	4	5	6	7	8	9	10	11	12	13	14	15	16	17	18
C	4	2															

第1~3位	型号代码 C42=MKP62	Digit 1 to 3	Series code C42=MKP62
第4~5位	交流额定电压 Q2=305V P2=275V	Digit 4 to 5	AC rated voltage Q2=305V P2=275V
第6~8位	标称容量 举例: 103=10 × 10 ³ pF=0.01μF	Digit 6 to 8	Rated capacitance value For example: 103=10 × 10 ³ pF=0.01μF
第9位	容量偏差 K= ± 10%, M= ± 20%	Digit 9	Capacitance tolerance K= ± 10%, M= ± 20%
第10位	引线脚距P 3=7.5mm 4=10.0mm 6=15.0mm	Digit 10	Pitch 3=7.5mm 4=10.0mm 6=15.0mm
第11位	内部特征码	Digit 11	Internal use
第12~15位	引线加工和包装代码	Digit 12 to 15	Lead form and packaging code
第16~18位	内部特征码	Digit 16 to 18	Internal use

■ Table 1 引线加工和包装代码 lead form and packaging code

第 12 位 Digit 12		第 13 位 Digit 13		第 14 位 Digit 14		第 15 位 Digit 15	
代码 Code	说明 explanation	代码 Code	说明 explanation	代码 Code	说明 explanation	代码 Code	说明 explanation
A	弹带包装 ammo-pack	3	F=7.5mm	0	表示直脚 straight	1	产品在连续的两个载带孔之间 each cap. among two consecutive holes P3=12.7mm,H=18.5mm (For pitch=7.5mm)
		4	F=10.0mm			5	P3=25.4mm;H=18.5mm (For pitch=10.0/15.0mm) (Detail parameter refer to catalogue pag 17)
		6	F=15.0mm				
C	直脚 straight lead “C” in the figure above	代码 Code	说明 explanation	0		0	引线长度偏差 ± 0.5mm 或标准长度 Length tolerance ± 0,5mm Or standard length
		00	标准的引线长度 (18mm~26mm) standard lead length				
		45	引线长度 4.5mm lead length 4.5mm				

■ 外形尺寸 Dimensions (mm)

305Vac/275Vac [#]						
C _N (μF)	W	H	T	P	d	Part number
0.033M	10.5	9.0	4.0	7.5	0.6	C42Q2333M3F****+++
0.033K	10.5	11.0	5.0	7.5	0.6	C42Q2333K3F****+++
0.039	10.5	11.0	5.0	7.5	0.6	C42Q2393-3F****+++
0.047	10.5	11.0	5.0	7.5	0.6	C42Q2473-3F****+++
0.056	10.5	11.0	5.0	7.5	0.6	C42Q2563-3F****+++
0.068	10.5	12.0	6.0	7.5	0.6	C42Q2683-3F****+++
0.082	10.5	12.0	6.0	7.5	0.6	C42Q2823-3F****+++
0.033	13.0	9.0	4.0	10.0	0.6	C42Q2333-4F****+++
0.039	13.0	9.0	4.0	10.0	0.6	C42Q2393-4F****+++
0.047	13.0	9.0	4.0	10.0	0.6	C42Q2473-4F****+++
0.056	13.0	9.0	4.0	10.0	0.6	C42Q2563-4F****+++
0.068	13.0	11.0	5.0	10.0	0.6	C42Q2683-4F****+++
0.082	13.0	11.0	5.0	10.0	0.6	C42Q2823-4F****+++
0.10M	13.0	10.0	5.0	10.0	0.6	C42Q2104M4G****+++
0.10	13.0	11.0	5.0	10.0	0.6	C42Q2104-4F****+++
0.12	13.0	12.0	6.0	10.0	0.6	C42Q2124-4F****+++
0.15M	13.0	12.0	6.0	10.0	0.6	C42Q2154M4F****+++
0.15K	13.0	13.0	7.0	10.0	0.6	C42Q2154K4F****+++
0.18	13.0	13.0	7.0	10.0	0.6	C42Q2184-4F****+++
0.22	13.0	14.0	8.0	10.0	0.6	C42Q2224-4F****+++

305Vac/275Vac [#]						
C _N (μF)	W	H	T	P	d	Part number
0.10	17.5	9.5	5.0	15.0	0.6	C42Q2104-6F****+++
0.12	17.5	9.5	5.0	15.0	0.6	C42Q2124-6F****+++
0.15	17.5	11.0	5.0	15.0	0.6	C42Q2154-6F****+++
0.18M	17.5	11.0	5.0	15.0	0.6	C42Q2184M6F****+++
0.18K	17.5	12.0	6.0	15.0	0.6	C42Q2184K6F****+++
0.22M	17.5	11.5	5.5	15.0	0.6	C42Q2224M6G****+++
0.22	17.5	12.0	6.0	15.0	0.6	C42Q2224-6F****+++
0.27	17.5	13.5	7.5	15.0	0.6	C42Q2274-6F****+++
0.27	17.5	12.5	9.0	15.0	0.6	C42Q2274-6G****+++
0.27	17.5	17.5	6.0	15.0	0.6	C42Q2274-6H****+++
0.33K	17.5	13.5	7.5	15.0	0.6	C42Q2334K6F****+++
0.33M	17.5	12.0	7.0	15.0	0.6	C42Q2334M6G****+++
0.33K	17.5	12.5	9.0	15.0	0.6	C42Q2334K6G****+++
0.33K	17.5	17.5	6.0	15.0	0.6	C42Q2334K6H****+++
0.39	17.5	13.5	7.5	15.0	0.6	C42Q2394-6F****+++
0.39	17.5	12.5	9.0	15.0	0.6	C42Q2394-6G****+++
0.39	17.5	17.5	6.0	15.0	0.6	C42Q2394-6H****+++
0.47M	17.5	14.0	8.0	15.0	0.6	C42Q2474M6F****+++
0.47K	17.5	14.5	8.5	15.0	0.6	C42Q2474K6F****+++
0.47M	17.5	12.5	9.0	15.0	0.6	C42Q2474M6G****+++
0.47M	17.5	17.5	6.0	15.0	0.6	C42Q2474M6H****+++
0.47K	17.5	18.5	7.5	15.0	0.8	C42Q2474K6H****+++

- 备注: 1. “-”表示容量偏差。 “-”=capacitance tolerance code, M=±20%,K=±10%
 2. “****”表示引线加工和包装代码(见table 1)。“****”=lead form and packing code(refer to table 1)
 3. “#”当额定电压为275Vac时,第4~5位是P2。“#”when the rated voltage is 275Vac,the digit 4~5 is P2.
 4. 不用于与电源串联的场合,与电源串联用请参见降压专用电容器P148。
 Not for use in series with the mains,the capacitors for series with the mains,please refer pag.148.

X-ON Electronics

Largest Supplier of Electrical and Electronic Components

Click to view similar products for [Safety Capacitors](#) category:

Click to view products by [FARATRONIC](#) manufacturer:

Other Similar products are found below :

[PME264NE5470MR04](#) [46KI3470DQM1K](#) [46KR410000M1M](#) [49AR410000B1M](#) [46KI333050M1K](#) [46KN333000M1M](#) [46KN422000P0M](#)
[49AN3470ZB01M](#) [46KN347000M1M](#) [46KR422000M1K](#) [DE1E3KX472MJ4BN01F](#) [ECQ-U2A224MLC](#) [46KI3100DQM1M](#) [04068](#)
[46KF268000M1M](#) [46KI3150NDM2M](#) [MKPX2R-1/400/10P27](#) [YP102271K050B20C6P](#) [YP102391K050BAND5P](#) [YP501101K040BAND5P](#)
[YP102681K060B20C6P](#) [YP501121K040B20C6P](#) [YP501471K040B20C6P](#) [YP501102K050HAND5P](#) [YP500101K040B20C2P](#) [BX4002J](#)
[GX2003C](#) [GX3009C](#) [GX3010](#) [GX3024C](#) [GX3045](#) [GX3045C](#) [GX3047](#) [GX3053](#) [GX3074C](#) [GX3083C](#) [GX3085C](#) [GX4015](#) [GX4015C](#)
[GX4017](#) [GX4017-Z](#) [GX4018](#) [GX4045C](#) [GX4053J](#) [GX4056C](#) [GX4070C](#) [GX4089](#) [GX4100C](#) [GX4103J](#) [GX4115](#)