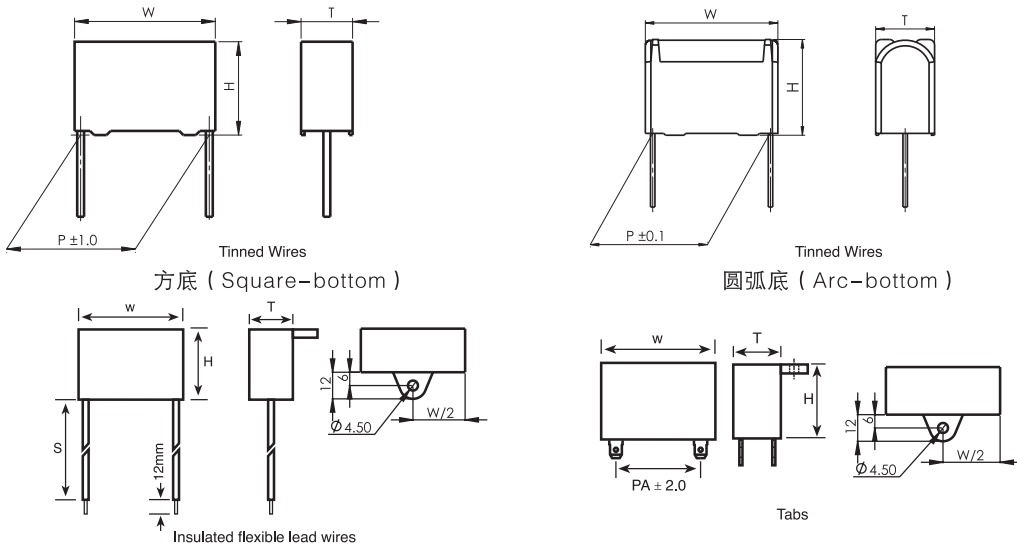




C61
CBB61 series

金属化聚丙烯膜交流电动机电容器 (塑料外壳) Metallized polypropylene film AC motor capacitor (Box-type)

■ 外形图 Outline Drawing



■ 特点

- 适用于频率为50Hz/60Hz交流电源供电的单相电动机启动和运转
- 有自愈特性
- 性能稳定,可靠性高

■ Features

- Widely applied to starting and running of AC single-phase motors at 50Hz/60Hz frequency power
- Self-healing property
- Extremely stable performance and reliability

■ 安全认证 Safety Approvals

●		CQC (中国)	GB/T 3667.1-2016 A.C. motor capacitors (1) 0.1 μ F ~ 9.5 μ F, 450Vac/500Vac Class C or 450Vac Class B, 50/60Hz, S0, SH, 40/70/21 or 40/85/21 证书号(Certificate No.): CQC02002001687 (2) 0.5 μ F ~ 20 μ F, 250Vac, Class C, 50/60Hz, S0, SH, 40/85/21 证书号(Certificate No.): CQC08002024389 (3) 0.5 μ F ~ 20 μ F, 350Vac, Class C, 50/60Hz, S0, SH, 40/85/21 证书号(Certificate No.): CQC08002024390
●		VDE (德国)	EN 60252-1:2011+A1:2013 A.C. motor capacitors (1) 0.1 μ F ~ 9.5 μ F, 450Vac/500Vac Class C or 450Vac Class B, 50/60Hz, S0, SH, 40/70/21 or 40/85/21 证书号(Certificate No.): 40004094 (2) 0.5 μ F ~ 20 μ F, 250Vac, Class C, 50/60Hz, S0, SH, 40/85/21 证书号(Certificate No.): 40023507 (3) 0.5 μ F ~ 20 μ F, 300Vac/350Vac, Class C, 50/60Hz, S0, SH, 40/85/21 证书号(Certificate No.): 40023504
●		UL/CUL (美国/加拿大)	UL 810 CSA, C22.2 No.190(construction only) max.500Vac, 50/60Hz, max.90°C 证书号(File No.): E256238, CCN:CZDS2/8

■ 技术要求 Specifications

额定电压 Rated Voltage	500Vac (50/60Hz)	450Vac (50/60Hz)	300/350Vac (50/60Hz)	250Vac (50/60Hz)	
运行等级 Class of operation	Class C	Class B or Class C	Class C	Class C	
电容量范围 Capacitance Range	0.1 μ F~9.5 μ F	0.1 μ F~9.5 μ F	0.5 μ F~20 μ F	0.5 μ F~20 μ F	
电容量偏差 Capacitance Tolerance	$\pm 5\%$, $\pm 10\%$, $\pm 15\%$				
安全防护等级 Class of safety protection	S0				
气候类别 Climatic Category	40/70/21 or 40/85/21		40/85/21		
耐电压 Voltage Proof	引线之间 Between Terminals	1 000Vac(2s)	900Vac(2s)	700Vac(2s)	500Vac(2s)
	极壳之间 Between Terminals And Case	3 000Vac (60s)			
最高运行电压 Maximum permissible voltage	1.1U _N				
最高运行电流 Maximum permissible current	1.3I _N				
绝缘电阻 Insulation Resistance(IR \times C _N)	$\geq 3\ 000s$ (20°C, 100V, 1min)				
损耗角正切 Dissipation Factor	$\leq 20 \times 10^{-4}$ (1kHz, 20°C)				

产品编码说明 Part number system

■ 18位产品代码如下：

The 18 digits part number is formed as follow:

1	2	3	4	5	6	7	8	9	10	11	12	13	14	15	16	17	18
C	6	1															

第1~3位	型号代码 C61=CBB61	Digit 1 to 3	Series code C61=CBB61
第4~5位	交流额定电压 H2=500V S2=450V R2=350V Q1=300V E2=250V	Digit 4 to 5	AC rated voltage H2=500V S2=450V R2=350V Q1=300V E2=250V
第6~8位	标称容量 举例：105=10 × 10 ⁵ pF=1.0μF	Digit 6 to 8	Rated capacitance value For example: 105=10 × 10 ⁵ pF=1.0μF
第9位	容量偏差 J= ± 5%,K= ± 10%	Digit 9	Capacitance tolerance J= ± 5%,K= ± 10%
第10位	引线脚距 (引线式) 9=22.5mm B=27.5mm D=32.5mm F=37.5mm 外形尺寸的盒子W (插片式/绝缘软引线式) 1=32mm 2=37mm 3=42mm 4=47mm 5=57mm 6=67mm	Digit 10	Pitch (for tinned wire) 9=22.5mm B=27.5mm D=32.5mm F=37.5mm W of the Dimension (for tabs and insulated flexible lead wires) 1=32mm 2=37mm 3=42mm 4=47mm 5=57mm 6=67mm
第11位	内部特征码	Digit 11	Internal use
第12~15位	引出端形式代码	Digit 12 to 15	Terminals code
第16~18位	内部特征码	Digit 16 to 18	Internal use

■ Table 1 引出端代码 Terminals code

第 12 位 Digit 12		第 13 位 Digit 13		第 14 位 Digit 14		第 15 位 Digit 15	
Code	引出端形式 Terminal form	Code	安装形式 Fixed style	Code	引出端长度 Length of lead wire	Code	引出端长度偏差 Length tolerance
0	镀锡的引线 tinned wire	0	PCB (tinned wire)	B	引线长度 5.0mm Lead length 5.0mm	0	标准长度或插片式 Standard length or tabs
3	AMP187# 插片每边 1 个 one AMP187# per side	1	下中耳 Mounting ear in the middle of case's top	9	引线长度 3.9mm Lead length 3.9mm	1	Length tolerance ± 0.5mm
4	AMP187# 插片每边 2 个 Two AMP187# per side			8	8 inch	2	Length tolerance ± 0.4mm
7	AMP250# 插片每边 1 个 One AMP250# per side			0	标准的镀锡引线长度 (最短 5.0mm) 或标准的绝缘软引线长 (最 短 100mm) 或插片式 Standard tinned wire length(5min)or standard insulated flexible wire length(100min) or tabs	3	Length tolerance ± 0.3mm
8	AMP250# 插片每边 2 个 Two AMP250# per side						
B	UL1015 绝缘线剥线式 UL1015 Insulated lead wire						



■ 外形尺寸 Dimensions (mm)

引线式 Tinned lead wire

500Vac(Class C)					
C _N (μF)	W ± 1	H ± 1	T ± 1	P	Part number
0.10	26.5	16.0	7.0	22.5	C61H2104-9000**+++
0.12	26.5	17.0	8.5	22.5	C61H2124-9000**+++
0.14	26.5	18.5	10.0	22.5	C61H2144-9000**+++
0.15	26.5	18.5	10.0	22.5	C61H2154-9000**+++
0.18	26.5	18.5	10.0	22.5	C61H2184-9000**+++
0.22	26.5	20.0	11.0	22.5	C61H2224-9000**+++
0.27	26.5	22.0	12.0	22.5	C61H2274-9000**+++
0.5	32.0	20.0	11.0	27.5	C61H2504-B000**+++
1.0	32.0	22.0	13.0	27.5	C61H2105-B000**+++
1.2	32.0	28.0	14.0	27.5	C61H2125-B000**+++
1.4	32.0	28.0	14.0	27.5	C61H2145-B000**+++
1.5	32.0	28.0	14.0	27.5	C61H2155-B000**+++
1.6	32.0	28.0	14.0	27.5	C61H2165-B000**+++
1.8	32.0	28.0	14.0	27.5	C61H2185-B000**+++
2.0	32.0	33.0	18.0	27.5	C61H2205-B000**+++
2.2	32.0	33.0	18.0	27.5	C61H2225-B000**+++
2.5	32.0	33.0	18.0	27.5	C61H2255-B000**+++
2.8	32.0	33.0	18.0	27.5	C61H2285-B000**+++
3.0	32.0	37.0	22.0	27.5	C61H2305-B000**+++
3.5	32.0	37.0	22.0	27.5	C61H2355-B000**+++
4.0	32.0	37.0	22.0	27.5	C61H2405-B000**+++
★ 1.0	36.0	22.0	11.0	32.5	C61H2105-D000**+++
1.2	36.0	23.0	13.0	32.5	C61H2125-D000**+++
1.4	36.0	24.5	14.0	32.5	C61H2145-D000**+++
1.5	36.0	27.0	14.0	32.5	C61H2155-D000**+++
1.6	36.0	27.0	14.0	32.5	C61H2165-D000**+++
1.8	36.0	29.0	14.0	32.5	C61H2185-D000**+++
2.0	36.0	29.0	14.0	32.5	C61H2205-D000**+++
2.2	36.0	28.0	18.0	32.5	C61H2225-D000**+++
2.5	36.0	28.0	18.0	32.5	C61H2255-D000**+++
2.8	36.0	33.0	18.0	32.5	C61H2285-D000**+++
3.0	36.0	33.0	18.0	32.5	C61H2305-D000**+++

500Vac(Class C)					
C _N (μF)	W ± 1	H ± 1	T ± 1	P	Part number
3.5	36.0	33.0	18.0	32.5	C61H2355-D000**+++
★ 4.0	36.0	37.0	22.0	32.5	C61H2405-D000**+++
★ 4.5	36.0	37.0	22.0	32.5	C61H2455-D000**+++
★ 5.0	36.0	37.0	22.0	32.5	C61H2505-D000**+++
★ 5.5	36.0	41.0	26.0	32.5	C61H2555-D000**+++
★ 6.0	36.0	41.0	26.0	32.5	C61H2605-D000**+++
★ 6.3	36.0	41.0	26.0	32.5	C61H2635-D000**+++
★ 6.5	36.0	41.0	26.0	32.5	C61H2655-D000**+++
★ 7.0	36.0	45.0	30.0	32.5	C61H2705-D000**+++
★ 7.5	36.0	45.0	30.0	32.5	C61H2755-D000**+++
★ 8.0	36.0	45.0	30.0	32.5	C61H2805-D000**+++
★ 8.5	36.0	45.0	30.0	32.5	C61H2855-D000**+++
2.0	42.0	28.0	14.0	37.5	C61H2205-F000**+++
2.2	42.0	28.0	14.0	37.5	C61H2225-F000**+++
2.5	41.0	30.0	16.0	37.5	C61H2255-F000**+++
2.8	41.0	30.0	16.0	37.5	C61H2285-F000**+++
3.0	41.0	32.0	17.0	37.5	C61H2305-F000**+++
3.5	41.0	32.0	17.0	37.5	C61H2355-F000**+++
4.0	41.0	33.5	18.5	37.5	C61H2405-F000**+++
4.5	41.0	37.0	22.0	37.5	C61H2455-F000**+++
5.0	41.0	37.0	22.0	37.5	C61H2505-F000**+++
5.5	41.0	37.0	22.0	37.5	C61H2555-F000**+++
6.0	41.0	37.0	22.0	37.5	C61H2605-F000**+++
6.3	41.0	41.0	26.0	37.5	C61H2635-F000**+++
6.5	41.0	41.0	26.0	37.5	C61H2655-F000**+++
7.0	41.0	41.0	26.0	37.5	C61H2705-F000**+++
7.5	41.0	41.0	26.0	37.5	C61H2755-F000**+++
8.0	42.0	45.0	30.0	37.5	C61H2805-F000**+++
8.5	42.0	45.0	30.0	37.5	C61H2855-F000**+++
9.0	42.0	45.0	30.0	37.5	C61H2905-F000**+++
9.5	42.0	45.0	30.0	37.5	C61H2955-F000**+++

- 备注: 1. “-”表示容量偏差。 “-”=capacitance tolerance code, J=±5%, K=±10%。
 2. “**”表示引出端代码(见table 1)。“**”=terminal form code (refer to table 1)。
 3. When P=22.5/27.5mm, d=0.8±0.05mm; When P>27.5mm, d=1.0±0.05mm。
 4. “★”表示外壳为圆弧底。“★”=Arc-bottom of the outer shell.

■ 外形尺寸 Dimensions (mm)

插片式或绝缘软引出线式 Tabs or Insulated flexible lead wires

500Vac(Class C)						500Vac(Class C)					
C _N (μF)	W ± 1	H ± 1	T ± 1	PA	Part number	C _N (μF)	W ± 1	H ± 1	T ± 1	PA	Part number
0.5	32.0	20.0	11.0	20.0	C61H2504-10**00+++	4.5	37.0	37.0	22.0	25.0	C61H2455-20**00+++
1.0	32.0	22.0	13.0	20.0	C61H2105-10**00+++	5.0	37.0	37.0	22.0	25.0	C61H2505-20**00+++
1.2	32.0	28.0	14.0	20.0	C61H2125-10**00+++	5.5	37.0	41.0	26.0	25.0	C61H2555-20**00+++
1.4	32.0	28.0	14.0	20.0	C61H2145-10**00+++	6.0	37.0	41.0	26.0	25.0	C61H2605-20**00+++
1.5	32.0	28.0	14.0	20.0	C61H2155-10**00+++	6.3	37.0	41.0	26.0	25.0	C61H2635-20**00+++
1.6	32.0	28.0	14.0	20.0	C61H2165-10**00+++	6.5	37.0	41.0	26.0	25.0	C61H2655-20**00+++
1.8	32.0	30.0	16.0	20.0	C61H2185-10**00+++	7.0	37.0	45.0	30.0	25.0	C61H2705-20**00+++
2.0	32.0	33.0	18.0	20.0	C61H2205-10**00+++	7.5	37.0	45.0	30.0	25.0	C61H2755-20**00+++
2.2	32.0	33.0	18.0	20.0	C61H2225-10**00+++	8.0	37.0	45.0	30.0	25.0	C61H2805-20**00+++
2.5	32.0	33.0	18.0	20.0	C61H2255-10**00+++	8.5	37.0	45.0	30.0	25.0	C61H2855-20**00+++
2.8	32.0	33.0	18.0	20.0	C61H2285-10**00+++	2.0	47.0	27.0	15.0	35.0	C61H2205-40**00+++
3.0	32.0	37.0	22.0	20.0	C61H2305-10**00+++	2.5	47.0	27.0	15.0	35.0	C61H2255-40**00+++
3.5	32.0	37.0	22.0	20.0	C61H2355-10**00+++	3.0	47.0	28.0	16.0	35.0	C61H2305-40**00+++
4.0	32.0	37.0	22.0	20.0	C61H2405-10**00+++	3.5	47.0	30.0	18.0	35.0	C61H2355-40**00+++
1.0	37.0	22.0	13.0	25.0	C61H2105-20**00+++	4.0	47.0	30.0	18.0	35.0	C61H2405-40**00+++
1.2	37.0	22.0	13.0	25.0	C61H2125-20**00+++	4.5	47.0	33.0	19.0	35.0	C61H2455-40**00+++
1.4	37.0	28.0	14.0	25.0	C61H2145-20**00+++	5.0	47.0	33.0	21.0	35.0	C61H2505-40**00+++
1.5	37.0	28.0	14.0	25.0	C61H2155-20**00+++	5.5	47.0	34.0	22.0	35.0	C61H2555-40**00+++
1.6	37.0	28.0	14.0	25.0	C61H2165-20**00+++	6.0	47.0	36.0	24.0	35.0	C61H2605-40**00+++
1.8	37.0	28.0	14.0	25.0	C61H2185-20**00+++	6.5	47.0	36.0	24.0	35.0	C61H2655-40**00+++
2.0	37.0	28.0	16.0	25.0	C61H2205-20**00+++	7.0	47.0	36.0	24.0	35.0	C61H2705-40**00+++
2.2	37.0	28.0	16.0	25.0	C61H2225-20**00+++	7.5	47.0	38.0	26.0	35.0	C61H2755-40**00+++
2.5	37.0	30.0	18.0	25.0	C61H2255-20**00+++	8.0	47.0	40.0	28.0	35.0	C61H2805-40**00+++
2.8	37.0	30.0	18.0	25.0	C61H2285-20**00+++	8.5	47.0	40.0	28.0	35.0	C61H2855-40**00+++
3.0	37.0	33.0	18.0	25.0	C61H2305-20**00+++	9.0	47.0	40.0	28.0	35.0	C61H2905-40**00+++
3.5	37.0	33.0	18.0	25.0	C61H2355-20**00+++	9.5	47.0	44.0	30.0	35.0	C61H2955-40**00+++
4.0	37.0	37.0	22.0	25.0	C61H2405-20**00+++						

- 备注: 1. “-”表示容量偏差。“-”=capacitance tolerance code, J=±5%, K=±10%。
 2. “**”表示引出端代码(见table 1)。“**”=terminal form code(refer to table 1)。
 3. 本公司所用插片的尺寸参见外形图。Dimension of tab please refer to outline drawing.
 4. When W=37mm, insulated flexible lead gauge =AWG20; When W > 37mm, insulated flexible lead gauge =AWG18.



C61
CBB61 series

■ 外形尺寸 Dimensions (mm)

引线式 Tinned lead wire						插片式或绝缘软引出线式 Tabs or Insulated flexible lead wires					
450Vac(Class B)						450Vac(Class B)					
C _N (μF)	W ± 1	H ± 1	T ± 1	P	Part number	C _N (μF)	W ± 1	H ± 1	T ± 1	PA	Part number
1.0	32.0	22.0	13.0	27.5	C61S2105-BB00**+++	1.0	37.0	22.0	12.0	25.0	C61S2105-2B**00+++
1.2	32.0	25.0	13.0	27.5	C61S2125-BB00**+++	1.2	37.0	23.0	12.0	25.0	C61S2125-2B**00+++
1.4	32.0	25.0	13.0	27.5	C61S2145-BB00**+++	1.4	37.0	24.0	14.0	25.0	C61S2145-2B**00+++
1.5	32.0	24.5	15.0	27.5	C61S2155-BB00**+++	1.5	37.0	24.0	14.0	25.0	C61S2155-2B**00+++
★ 1.6	32.0	26.0	14.0	27.5	C61S2165-BB00**+++	1.8	37.0	26.0	14.0	25.0	C61S2185-2B**00+++
★ 1.8	32.0	27.0	15.0	27.5	C61S2185-BB00**+++	2.0	37.0	28.0	14.0	25.0	C61S2205-2B**00+++
★ 2.0	32.0	27.0	16.0	27.5	C61S2205-BB00**+++	2.5	37.0	26.0	18.0	25.0	C61S2255-2B**00+++
★ 2.5	32.0	28.0	18.0	27.5	C61S2255-BB00**+++	2.8	37.0	30.0	18.0	25.0	C61S2285-2B**00+++
★ 2.8	32.0	30.0	18.0	27.5	C61S2285-BB00**+++	3.0	37.0	30.0	18.0	25.0	C61S2305-2B**00+++
★ 3.0	32.0	30.0	20.0	27.5	C61S2305-BB00**+++	3.5	37.0	30.0	20.0	25.0	C61S2355-2B**00+++
★ 3.5	32.0	31.0	21.0	27.5	C61S2355-BB00**+++	4.0	37.0	32.0	20.0	25.0	C61S2405-2B**00+++
★ 4.0	32.0	34.0	22.0	27.5	C61S2405-BB00**+++	4.5	37.0	34.0	22.0	25.0	C61S2455-2B**00+++
1.0	36.0	22.5	12.0	32.5	C61S2105-DB00**+++	5.0	37.0	36.0	24.0	25.0	C61S2505-2B**00+++
1.2	36.0	23.0	13.0	32.5	C61S2125-DB00**+++	5.5	37.0	36.0	24.0	25.0	C61S2555-2B**00+++
1.4	36.0	23.0	13.0	32.5	C61S2145-DB00**+++	6.0	37.0	38.0	24.0	25.0	C61S2605-2B**00+++
1.5	36.0	24.5	14.0	32.5	C61S2155-DB00**+++	2.5	47.0	25.0	15.0	35.0	C61S2255-4B**00+++
1.8	36.0	26.0	14.0	32.5	C61S2185-DB00**+++	3.0	47.0	27.0	15.0	35.0	C61S2305-4B**00+++
2.0	36.0	27.0	14.0	32.5	C61S2205-DB00**+++	3.5	47.0	28.0	16.0	35.0	C61S2355-4B**00+++
★ 2.5	36.0	28.0	16.0	32.5	C61S2255-DB00**+++	4.0	47.0	30.0	18.0	35.0	C61S2405-4B**00+++
2.8	36.0	28.0	18.0	32.5	C61S2285-DB00**+++	4.5	47.0	31.0	19.0	35.0	C61S2455-4B**00+++
★ 3.0	36.0	30.5	18.8	32.5	C61S2305-DB00**+++	5.0	47.0	30.0	20.0	35.0	C61S2505-4B**00+++
★ 3.5	36.0	30.5	18.8	32.5	C61S2355-DB00**+++	5.5	47.0	33.0	21.0	35.0	C61S2555-4B**00+++
4.0	36.0	34.0	22.0	32.5	C61S2405-DB00**+++	6.0	47.0	34.0	22.0	35.0	C61S2605-4B**00+++
4.5	36.0	34.0	22.0	32.5	C61S2455-DB00**+++	6.5	47.0	34.0	22.0	35.0	C61S2655-4B**00+++
★ 5.0	36.0	36.0	24.0	32.5	C61S2505-DB00**+++	7.0	47.0	36.0	24.0	35.0	C61S2705-4B**00+++
★ 5.5	36.0	38.0	22.0	32.5	C61S2555-DB00**+++	7.5	47.0	36.0	24.0	35.0	C61S2755-4B**00+++
★ 6.0	36.0	38.0	24.0	32.5	C61S2605-DB00**+++	8.0	47.0	36.0	24.0	35.0	C61S2805-4B**00+++
★ 6.3	36.0	38.0	24.0	32.5	C61S2635-DB00**+++	8.5	47.0	38.0	26.0	35.0	C61S2855-4B**00+++
★ 6.5	36.0	38.0	26.0	32.5	C61S2655-DB00**+++	9.0	47.0	38.0	26.0	35.0	C61S2905-4B**00+++
★ 7.0	36.0	39.0	27.0	32.5	C61S2705-DB00**+++	9.5	47.0	40.0	28.0	35.0	C61S2955-4B**00+++

- 备注: 1. “-”表示容量偏差。 “-” =capacitance tolerance code, J=±5%, K=±10%。
 2. “**”表示引出端代码(见table 1)。“**” =terminal form code (refer to table 1)。
 3. When P=22.5/27.5mm,d=0.8±0.05mm; When P>27.5mm,d=1.0±0.05mm。
 4. 本公司所用插片的尺寸参见外形图。Dimension of tab please refer to outline drawing。
 5. When W=37mm, insulated flexible lead gauge =AWG20; When W>37mm, insulated flexible lead gauge =AWG18。
 6. “★”表示外壳为圆弧底。“★” = Arc-bottom of the outer shell.

■ 外形尺寸 Dimensions (mm)

引线式 Tinned lead wire

450Vac(Class C)					
C _N (μF)	W ± 1	H ± 1	T ± 1	P	Part number
0.10	26.5	16.0	7.0	22.5	C61S2104-9000**+++
0.12	26.5	17.0	8.5	22.5	C61S2124-9000**+++
0.14	26.5	18.5	10.0	22.5	C61S2144-9000**+++
0.15	26.5	18.5	10.0	22.5	C61S2154-9000**+++
0.18	26.5	18.5	10.0	22.5	C61S2184-9000**+++
0.22	26.5	20.0	11.0	22.5	C61S2224-9000**+++
0.27	26.5	22.0	12.0	22.5	C61S2274-9000**+++
0.5	32.0	20.0	11.0	27.5	C61S2504-BS00**+++
★ 1.0	32.0	22.0	11.0	27.5	C61S2105-BS00**+++
1.2	32.0	22.0	13.0	27.5	C61S2125-BS00**+++
1.4	32.0	25.0	13.0	27.5	C61S2145-BS00**+++
1.5	32.0	25.0	13.0	27.5	C61S2155-BS00**+++
1.6	32.0	25.0	13.0	27.5	C61S2165-BS00**+++
1.8	32.0	28.0	14.0	27.5	C61S2185-BS00**+++
2.0	32.0	28.0	14.0	27.5	C61S2205-BS00**+++
2.2	32.0	28.0	14.0	27.5	C61S2225-BS00**+++
2.5	32.0	28.0	17.0	27.5	C61S2255-BS00**+++
2.8	32.0	28.0	17.0	27.5	C61S2285-BS00**+++
3.0	32.0	30.0	18.0	27.5	C61S2305-BS00**+++
3.5	32.0	33.0	18.0	27.5	C61S2355-BS00**+++
4.0	32.0	32.0	20.0	27.5	C61S2405-BS00**+++
★ 1.0	36.0	20.0	10.0	32.5	C61S2105-DS00**+++
★ 1.2	36.0	22.0	11.0	32.5	C61S2125-DS00**+++
★ 1.4	36.0	22.0	11.0	32.5	C61S2145-DS00**+++
★ 1.5	36.0	22.0	11.0	32.5	C61S2155-DS00**+++
1.6	36.0	23.0	13.0	32.5	C61S2165-DS00**+++
1.8	36.0	23.0	13.0	32.5	C61S2185-DS00**+++
2.0	36.0	24.5	14.0	32.5	C61S2205-DS00**+++
2.2	36.0	27.0	14.0	32.5	C61S2225-DS00**+++
2.5	36.0	27.0	14.0	32.5	C61S2255-DS00**+++
2.8	36.0	29.0	14.0	32.5	C61S2285-DS00**+++
3.0	36.0	29.0	14.0	32.5	C61S2305-DS00**+++

450Vac(Class C)					
C _N (μF)	W ± 1	H ± 1	T ± 1	P	Part number
3.5	36.0	28.0	18.0	32.5	C61S2355-DS00**+++
★ 4.0	36.0	30.5	18.8	32.5	C61S2405-DS00**+++
4.5	36.0	33.0	18.0	32.5	C61S2455-DS00**+++
★ 5.0	36.0	32.0	20.0	32.5	C61S2505-DS00**+++
5.5	36.0	34.0	20.0	32.5	C61S2555-DS00**+++
6.0	36.0	34.0	22.0	32.5	C61S2605-DS00**+++
★ 6.3	36.0	36.0	22.0	32.5	C61S2635-DS00**+++
★ 6.5	36.0	36.0	22.0	32.5	C61S2655-DS00**+++
★ 7.0	36.0	36.0	24.0	32.5	C61S2705-DS00**+++
★ 7.5	36.0	38.0	24.0	32.5	C61S2755-DS00**+++
★ 8.0	36.0	38.0	26.0	32.5	C61S2805-DS00**+++
★ 8.5	36.0	38.0	26.0	32.5	C61S2855-DS00**+++
2.0	41.0	24.0	13.0	37.5	C61S2205-FS00**+++
2.2	41.0	24.0	13.0	37.5	C61S2225-FS00**+++
2.5	41.0	26.0	15.0	37.5	C61S2255-FS00**+++
2.8	41.0	26.0	15.0	37.5	C61S2285-FS00**+++
3.0	41.0	26.0	15.0	37.5	C61S2305-FS00**+++
★ 3.5	42.0	28.0	14.0	37.5	C61S2355-FS00**+++
4.0	41.0	30.0	16.0	37.5	C61S2405-FS00**+++
4.5	41.0	32.0	17.0	37.5	C61S2455-FS00**+++
5.0	41.0	30.0	18.0	37.5	C61S2505-FS00**+++
5.5	41.0	33.5	18.5	37.5	C61S2555-FS00**+++
6.0	41.0	33.5	18.5	37.5	C61S2605-FS00**+++
★ 6.3	41.0	34.0	20.0	37.5	C61S2635-FS00**+++
★ 6.5	41.0	34.0	20.0	37.5	C61S2655-FS00**+++
7.0	41.0	37.0	22.0	37.5	C61S2705-FS00**+++
7.5	41.0	37.0	22.0	37.5	C61S2755-FS00**+++
8.0	41.0	37.0	22.0	37.5	C61S2805-FS00**+++
8.5	42.0	36.0	23.0	37.5	C61S2855-FS00**+++
9.0	41.0	37.5	27.5	37.5	C61S2905-FS00**+++
★ 9.5	41.0	38.0	26.0	37.5	C61S2955-FS00**+++

- 备注: 1. “-”表示容量偏差。 “-” =capacitance tolerance code, J= ± 5%, K= ± 10%。
 2. “***”表示引出端代码(见table 1)。“***” =terminal form code (refer to table 1)。
 3. When P=22.5/27.5mm, d=0.8 ± 0.05mm; When P>27.5mm, d=1.0 ± 0.05mm。
 4. “★”表示外壳为圆弧底。“★” = Arc-bottom of the outer shell.



■ 外形尺寸 **Dimensions (mm)**

插片式或绝缘软引出线式 **Tabs or Insulated flexible lead wires**

450Vac(Class C)						450Vac(Class C)					
C _N (μF)	W ± 1	H ± 1	T ± 1	PA	Part number	C _N (μF)	W ± 1	H ± 1	T ± 1	PA	Part number
0.5	32.0	20.0	11.0	20.0	C61S2504-1S**00+++	4.5	37.0	32.0	20.0	25.0	C61S2455-2S**00+++
1.0	32.0	26.0	14.0	20.0	C61S2105-1S**00+++	5.0	37.0	32.0	20.0	25.0	C61S2505-2S**00+++
1.2	32.0	28.0	14.0	20.0	C61S2125-1S**00+++	5.5	37.0	34.0	22.0	25.0	C61S2555-2S**00+++
1.4	32.0	28.0	14.0	20.0	C61S2145-1S**00+++	6.0	37.0	34.0	22.0	25.0	C61S2605-2S**00+++
1.5	32.0	33.0	18.0	20.0	C61S2155-1S**00+++	6.3	37.0	34.0	24.0	25.0	C61S2635-2S**00+++
1.6	32.0	33.0	18.0	20.0	C61S2165-1S**00+++	6.5	37.0	36.0	24.0	25.0	C61S2655-2S**00+++
1.8	32.0	33.0	18.0	20.0	C61S2185-1S**00+++	7.0	37.0	38.0	24.0	25.0	C61S2705-2S**00+++
2.0	32.0	33.0	18.0	20.0	C61S2205-1S**00+++	7.5	37.0	38.0	26.0	25.0	C61S2755-2S**00+++
2.2	32.0	33.0	18.0	20.0	C61S2225-1S**00+++	8.0	37.0	38.0	26.0	25.0	C61S2805-2S**00+++
2.5	32.0	33.0	18.0	20.0	C61S2255-1S**00+++	8.5	37.0	38.0	26.0	25.0	C61S2855-2S**00+++
2.8	32.0	37.0	22.0	20.0	C61S2285-1S**00+++	2.0	47.0	24.0	14.0	35.0	C61S2205-4S**00+++
3.0	32.0	37.0	22.0	20.0	C61S2305-1S**00+++	2.5	47.0	24.0	14.0	35.0	C61S2255-4S**00+++
3.5	32.0	37.0	22.0	20.0	C61S2355-1S**00+++	3.0	47.0	27.0	15.0	35.0	C61S2305-4S**00+++
4.0	32.0	40.0	24.0	20.0	C61S2405-1S**00+++	3.5	47.0	27.0	15.0	35.0	C61S2355-4S**00+++
1.0	37.0	20.0	11.0	25.0	C61S2105-2S**00+++	4.0	47.0	28.0	16.0	35.0	C61S2405-4S**00+++
1.2	37.0	22.0	13.0	25.0	C61S2125-2S**00+++	4.5	47.0	29.0	17.0	35.0	C61S2455-4S**00+++
1.4	37.0	22.0	13.0	25.0	C61S2145-2S**00+++	5.0	47.0	30.0	18.0	35.0	C61S2505-4S**00+++
1.5	37.0	22.0	13.0	25.0	C61S2155-2S**00+++	5.5	47.0	30.0	18.0	35.0	C61S2555-4S**00+++
1.6	37.0	22.0	13.0	25.0	C61S2165-2S**00+++	6.0	47.0	33.0	19.0	35.0	C61S2605-4S**00+++
1.8	37.0	24.0	14.0	25.0	C61S2185-2S**00+++	6.5	47.0	33.0	19.0	35.0	C61S2655-4S**00+++
2.0	37.0	24.0	14.0	25.0	C61S2205-2S**00+++	7.0	47.0	33.0	21.0	35.0	C61S2705-4S**00+++
2.2	37.0	28.0	14.0	25.0	C61S2225-2S**00+++	7.5	47.0	34.0	22.0	35.0	C61S2755-4S**00+++
2.5	37.0	28.0	14.0	25.0	C61S2255-2S**00+++	8.0	47.0	34.0	22.0	35.0	C61S2805-4S**00+++
2.8	37.0	28.0	16.0	25.0	C61S2285-2S**00+++	8.5	47.0	36.0	24.0	35.0	C61S2855-4S**00+++
3.0	37.0	28.0	16.0	25.0	C61S2305-2S**00+++	9.0	47.0	36.0	24.0	35.0	C61S2905-4S**00+++
3.5	37.0	30.0	18.0	25.0	C61S2355-2S**00+++	9.5	47.0	36.0	24.0	35.0	C61S2955-4S**00+++
4.0	37.0	30.0	18.0	25.0	C61S2405-2S**00+++						

- 备注: 1. “-”表示容量偏差。 “-” =capacitance tolerance code, J= ± 5%, K= ± 10%。
 2. “**”表示引出端代码(见table 1)。“**” =terminal form code (refer to table 1)。
 3. 本公司所用插片的尺寸参见外形图。Dimension of tab please refer to outline drawing.
 4. When W=37mm, insulated flexible lead gauge =AWG20; When W > 37mm, insulated flexible lead gauge =AWG18.

■ 外形尺寸 Dimensions (mm)

引线式 Tinned lead wire					
300Vac/350Vac(Class C) [#]					
C _N (μF)	W ± 1	H ± 1	T ± 1	P	Part number
0.5	32.0	17.0	8.0	27.5	C61R2504-B000**+++
0.82	32.0	18.0	9.0	27.5	C61R2824-B000**+++
1.0	32.0	20.0	11.0	27.5	C61R2105-B000**+++
1.5	32.0	22.0	13.0	27.5	C61R2155-B000**+++
2.0	32.0	24.5	15.0	27.5	C61R2205-B000**+++
2.5	32.0	28.0	14.0	27.5	C61R2255-B000**+++
3.0	32.0	28.0	17.0	27.5	C61R2305-B000**+++
3.5	32.0	28.0	17.0	27.5	C61R2355-B000**+++
★ 4.0	32.0	33.0	20.0	27.5	C61R2405-B000**+++
★ 4.5	32.0	33.0	20.0	27.5	C61R2455-B000**+++
★ 5.0	32.0	33.0	20.0	27.5	C61R2505-B000**+++
★ 1.0	36.0	20.0	10.0	32.5	C61R2105-D000**+++
1.5	36.0	23.0	13.0	32.5	C61R2155-D000**+++
2.0	36.0	27.0	14.0	32.5	C61R2205-D000**+++
2.5	36.0	27.0	14.0	32.5	C61R2255-D000**+++
2.8	36.0	28.0	18.0	32.5	C61R2285-D000**+++
3.0	36.0	28.0	18.0	32.5	C61R2305-D000**+++
3.3	36.0	28.0	18.0	32.5	C61R2335-D000**+++
★ 3.5	36.0	30.5	18.8	32.5	C61R2355-D000**+++
★ 4.0	36.0	30.5	18.8	32.5	C61R2405-D000**+++
4.5	36.0	33.0	18.0	32.5	C61R2455-D000**+++
★ 5.0	36.0	33.0	20.0	32.5	C61R2505-D000**+++
★ 5.5	36.0	37.0	22.0	32.5	C61R2555-D000**+++
★ 6.0	36.0	37.0	22.0	32.5	C61R2605-D000**+++
★ 6.5	36.0	37.0	22.0	32.5	C61R2655-D000**+++
★ 7.0	36.0	38.0	24.0	32.5	C61R2705-D000**+++
★ 7.5	36.0	38.0	24.0	32.5	C61R2755-D000**+++
★ 8.0	36.0	41.0	26.0	32.5	C61R2805-D000**+++
★ 9.0	36.0	41.0	26.0	32.5	C61R2905-D000**+++

插片式或绝缘软引出线式 Tabs or Insulated flexible lead wires					
300Vac/350Vac(Class C) [#]					
C _N (μF)	W ± 1	H ± 1	T ± 1	PA	Part number
1.0	37.0	21.0	11.0	25.0	C61R2105-20****+++
1.5	37.0	23.0	13.0	25.0	C61R2155-20****+++
2.0	37.0	28.0	14.0	25.0	C61R2205-20****+++
2.5	37.0	28.0	14.0	25.0	C61R2255-20****+++
3.0	37.0	30.0	18.0	25.0	C61R2305-20****+++
3.5	37.0	30.0	18.0	25.0	C61R2355-20****+++
4.0	37.0	30.0	18.0	25.0	C61R2405-20****+++
4.5	37.0	33.0	20.0	25.0	C61R2455-20****+++
5.0	37.0	33.0	20.0	25.0	C61R2505-20****+++
5.5	37.0	37.0	22.0	25.0	C61R2555-20****+++
6.0	37.0	37.0	22.0	25.0	C61R2605-20****+++
6.5	37.0	37.0	22.0	25.0	C61R2655-20****+++
7.0	37.0	38.0	24.0	25.0	C61R2705-20****+++
7.5	37.0	38.0	24.0	25.0	C61R2755-20****+++
8.0	37.0	41.0	26.0	25.0	C61R2805-20****+++
9.0	37.0	41.0	26.0	25.0	C61R2905-20****+++
3.5	47.0	28.0	16.0	35.0	C61R2355-40****+++
4.0	47.0	28.0	16.0	35.0	C61R2405-40****+++
4.5	47.0	30.0	18.0	35.0	C61R2455-40****+++
5.0	47.0	30.0	18.0	35.0	C61R2505-40****+++
5.5	47.0	32.0	18.0	35.0	C61R2555-40****+++
6.0	47.0	34.0	18.0	35.0	C61R2605-40****+++
6.5	47.0	34.0	20.0	35.0	C61R2655-40****+++
7.0	47.0	34.0	20.0	35.0	C61R2705-40****+++
7.5	47.0	34.0	22.0	35.0	C61R2755-40****+++
8.0	47.0	36.0	24.0	35.0	C61R2805-40****+++
9.0	47.0	36.0	24.0	35.0	C61R2905-40****+++
10.0	47.0	38.0	26.0	35.0	C61R2106-40****+++
11.0	47.0	38.0	26.0	35.0	C61R2116-40****+++
12.0	47.0	40.0	28.0	35.0	C61R2126-40****+++
12.5	47.0	40.0	28.0	35.0	C61R212E-40****+++
13.0	47.0	40.0	28.0	35.0	C61R2136-40****+++
14.0	47.0	44.0	30.0	35.0	C61R2146-40****+++
15.0	47.0	44.0	30.0	35.0	C61R2156-40****+++
17.5	47.0	46.0	32.0	35.0	C61R217E-40****+++
15.0	57.0	40.0	28.0	45.0	C61R2156-50****+++
17.5	57.0	44.0	30.0	45.0	C61R217E-50****+++
20.0	57.0	44.0	30.0	45.0	C61R2206-50****+++
20.0	67.0	42.0	28.0	55.0	C61R2206-60****+++

- 备注: 1. “-”表示容量偏差。 “-”=capacitance tolerance code, J=±5%, K=±10%。
 2. “****”表示引出端代码(见table 1)。“****”=terminal form code(refer to table 1)。
 3. “#”当额定电压为300Vac时,第4~5位是Q1。“#”When the rated voltage is 300Vac,the digit 4~5 is Q1。
 4. When P=22.5/27.5mm,d=0.8±0.05mm; When P>27.5mm,d=1.0±0.05mm。
 5. 本公司所用插片的尺寸参见外形图。Dimension of tab please refer to outline drawing。
 6. When W=37mm, insulated flexible lead gauge =AWG20; When W > 37mm, insulated flexible lead gauge =AWG18。
 7. “★”表示外壳为圆弧底。“★”=Arc-bottom of the outer shell。



■ 外形尺寸 Dimensions (mm)

引线式 Tinned lead wire					
250Vac(Class C)					
C _N (μF)	W ± 1	H ± 1	T ± 1	P	Part number
★ 0.5	32.0	16.0	7.0	27.5	C61E2504-B000**+++
0.82	32.0	17.0	8.0	27.5	C61E2824-B000**+++
1.0	32.0	18.0	9.0	27.5	C61E2105-B000**+++
1.5	32.0	20.0	11.0	27.5	C61E2155-B000**+++
2.0	32.0	20.0	11.0	27.5	C61E2205-B000**+++
2.5	32.0	22.0	13.0	27.5	C61E2255-B000**+++
3.0	32.0	24.5	15.0	27.5	C61E2305-B000**+++
3.5	32.0	24.5	15.0	27.5	C61E2355-B000**+++
4.0	32.0	28.0	17.0	27.5	C61E2405-B000**+++
4.5	32.0	28.0	17.0	27.5	C61E2455-B000**+++
5.0	32.0	28.0	17.0	27.5	C61E2505-B000**+++
★ 1.0	36.0	20.0	10.0	32.5	C61E2105-D000**+++
★ 1.5	36.0	20.0	10.0	32.5	C61E2155-D000**+++
2.0	36.0	23.0	13.0	32.5	C61E2205-D000**+++
2.5	36.0	23.0	13.0	32.5	C61E2255-D000**+++
2.8	36.0	23.0	13.0	32.5	C61E2285-D000**+++
3.0	36.0	27.0	14.0	32.5	C61E2305-D000**+++
3.3	36.0	27.0	14.0	32.5	C61E2335-D000**+++
3.5	36.0	27.0	14.0	32.5	C61E2355-D000**+++
4.0	36.0	27.0	14.0	32.5	C61E2405-D000**+++
★ 4.5	36.0	30.5	18.8	32.5	C61E2455-D000**+++
★ 5.0	36.0	30.5	18.8	32.5	C61E2505-D000**+++
★ 5.5	36.0	30.5	18.8	32.5	C61E2555-D000**+++
★ 6.0	36.0	30.5	18.8	32.5	C61E2605-D000**+++
6.5	36.0	33.0	18.0	32.5	C61E2655-D000**+++
7.0	36.0	33.0	18.0	32.5	C61E2705-D000**+++
★ 7.5	36.0	36.0	20.0	32.5	C61E2755-D000**+++
★ 8.0	36.0	36.0	20.0	32.5	C61E2805-D000**+++
★ 9.0	36.0	36.0	20.0	32.5	C61E2905-D000**+++

插片式或绝缘软引出线式 Tabs or Insulated flexible lead wires					
250Vac(Class C)					
C _N (μF)	W ± 1	H ± 1	T ± 1	PA	Part number
1.0	37.0	20.0	10.0	25.0	C61E2105-20****+++
1.5	37.0	20.0	10.0	25.0	C61E2155-20****+++
2.0	37.0	23.0	13.0	25.0	C61E2205-20****+++
2.5	37.0	23.0	13.0	25.0	C61E2255-20****+++
3.0	37.0	28.0	14.0	25.0	C61E2305-20****+++
3.5	37.0	28.0	14.0	25.0	C61E2355-20****+++
4.0	37.0	28.0	14.0	25.0	C61E2405-20****+++
4.5	37.0	30.0	18.0	25.0	C61E2455-20****+++
5.0	37.0	30.0	18.0	25.0	C61E2505-20****+++
5.5	37.0	30.0	18.0	25.0	C61E2555-20****+++
6.0	37.0	30.0	18.0	25.0	C61E2605-20****+++
6.5	37.0	33.0	18.0	25.0	C61E2655-20****+++
7.0	37.0	33.0	18.0	25.0	C61E2705-20****+++
7.5	37.0	36.0	20.0	25.0	C61E2755-20****+++
8.0	37.0	36.0	20.0	25.0	C61E2805-20****+++
9.0	37.0	36.0	20.0	25.0	C61E2905-20****+++
3.5	47.0	26.0	14.0	35.0	C61E2355-40****+++
4.0	47.0	26.0	14.0	35.0	C61E2405-40****+++
4.5	47.0	26.0	14.0	35.0	C61E2455-40****+++
5.0	47.0	28.0	16.0	35.0	C61E2505-40****+++
5.5	47.0	28.0	16.0	35.0	C61E2555-40****+++
6.0	47.0	28.0	16.0	35.0	C61E2605-40****+++
6.5	47.0	30.0	18.0	35.0	C61E2655-40****+++
7.0	47.0	30.0	18.0	35.0	C61E2705-40****+++
7.5	47.0	30.0	18.0	35.0	C61E2755-40****+++
8.0	47.0	30.0	18.0	35.0	C61E2805-40****+++
9.0	47.0	34.0	18.0	35.0	C61E2905-40****+++
10.0	47.0	34.0	20.0	35.0	C61E2106-40****+++
11.0	47.0	34.0	22.0	35.0	C61E2116-40****+++
12.0	47.0	34.0	22.0	35.0	C61E2126-40****+++
12.5	47.0	36.0	24.0	35.0	C61E212E-40****+++
13.0	47.0	36.0	24.0	35.0	C61E2136-40****+++
14.0	47.0	36.0	24.0	35.0	C61E2146-40****+++
15.0	47.0	38.0	26.0	35.0	C61E2156-40****+++
17.5	47.0	40.0	28.0	35.0	C61E217E-40****+++
15.0	57.0	36.0	22.0	45.0	C61E2156-50****+++
17.5	57.0	38.0	24.0	45.0	C61E217E-50****+++
20.0	57.0	38.0	24.0	45.0	C61E2206-50****+++
20.0	67.0	36.0	24.0	55.0	C61E2206-60****+++

- 备注: 1. “-”表示容量偏差。 “-” =capacitance tolerance code, J= ± 5%, K= ± 10%。
 2. “***”表示引出端代码(见table 1)。“***” =terminal form code (refer to table 1)。
 3. When P=22.5/27.5mm,d=0.8 ± 0.05mm; When P>27.5mm,d=1.0 ± 0.05mm。
 4. 本公司所用插片的尺寸参见外形图。Dimension of tab please refer to outline drawing。
 5. When W=37mm, insulated flexible lead gauge =AWG20; When W > 37mm, insulated flexible lead gauge =AWG18。
 6. “★”表示外壳为圆弧底。“★” = Arc-bottom of the outer shell.

X-ON Electronics

Largest Supplier of Electrical and Electronic Components

Click to view similar products for [Safety Capacitors](#) category:

Click to view products by [FARATRONIC](#) manufacturer:

Other Similar products are found below :

[B32022B3223K026](#) [B32912A3104K026](#) [46KI3470DQM1K](#) [B32913A3154K](#) [B81123C1102M003](#) [MKPY2-.02230020P15](#)
[46KN333000M1M](#) [46KN422000P0M](#) [DE1E3KX222MJ4BN01F](#) [46KR422000M1K](#) [HUB2200-S](#) [46KF268000M1M](#) [46KI3150NDM2M](#)
[PHE840MD6220MD13R30](#) [PHE840MY6470MD14R06](#) [PHE845VD5470MR06](#) [R463N4100ZAM1K](#) [MKPX2R-1/400/10P27](#)
[YP500101K040B20C2P](#) [YU0AH222M090DAMD0B](#) [LS1808N102K302NX080TM](#) [CY1471KE1IEB46X2A2](#) [CY1222ME5IEE48O2A2](#)
[MPX474K31DTEV158G0](#) [CY1471ME19EE45W2A2](#) [MPX104K31D2KN158HF](#) [MPX224K31D2KN158G0](#) [PX104K2W1502](#)
[YU1AH222M090DASD0H](#) [C47S1472K60C000](#) [MP2224K32C5J6LC](#) [H102M050FQ55250L750A](#) [MP2474K32D6R8LC](#)
[MP2224K32C3J6LC](#) [MP2104K32C3J6LC](#) [PX334K2C1006](#) [YU0AC222M080L20C7B](#) [MP2473K27B2X6LC](#) [MP2224K32D4J8LC](#)
[MP2684K32D6T8LC](#) [ST3Y1Y5U332M500VAC](#) [ST3Y1Y5V472M500VAC](#) [MP2474K32D4X8LC](#) [MP2474K32D4J8LC](#)
[YU0AH332M110L4EB0B](#) [CY1681ME1IEE45S2A2](#) [Y1220J-E1I-B4-AC400V](#) [Y1120K-E1I-B4-AC400V](#) [MP2154K32D2R8LC](#)
[ST1Y1Y5V222M500VAC](#)