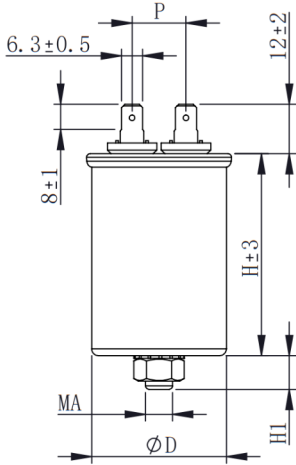


C6M

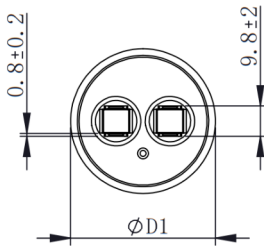
油式单相交流滤波电容器 Oil-filled type single phase AC filter capacitor

■ 外形图 Outline Drawing

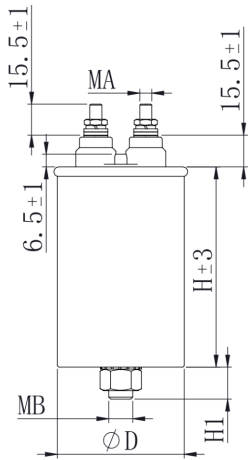
焊片式设计(无滚槽设计, D=40~60) Tab type design (Without channeling, D=40~60)



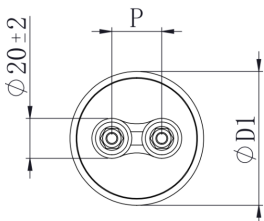
D±1	40	45~50	55	60
H1±1	10	10	12	16
P±1.5	16	18	20	20
MA	M8	M8	M10	M12

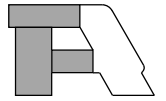


螺栓式设计(无滚槽设计, D=63.5) Bolt type design (Without channeling, D=63.5)

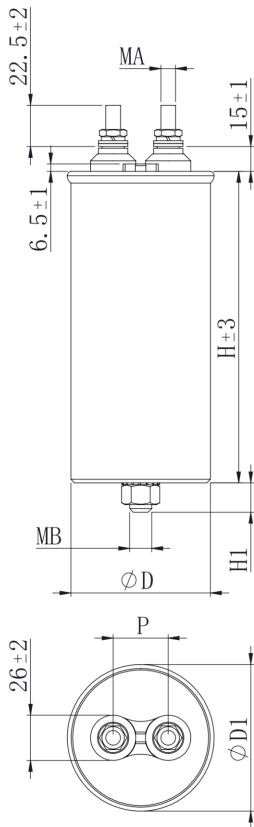


D±1	63.5
H1±1	16
P±1	25
MA	M6
MB	M12



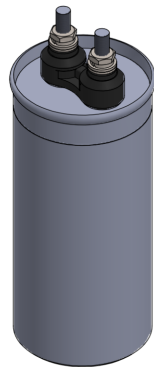
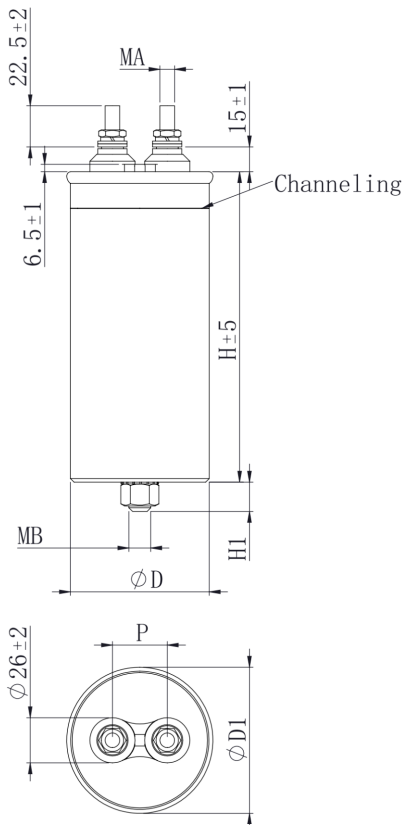


螺栓式设计(无滚槽设计, D=76~116) Bolt type design(Without channeling, D=76~116)

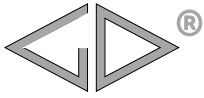


D±1	76~96	106~116
H1±1	16	16
P±1	30	35
MA	M8	M10
MB	M12	M12

螺栓式设计(滚槽设计, D=116) Bolt type design(Channeling, D=116)



D±1	116
H1±1	16
P±1	35
MA	M10
MB	M12



C6M


■ 特点

- 金属化聚丙烯膜设计，自愈性优良
- 防爆设计，过压力保护更安全
- 适用于电力电子设备、UPS 电源中的交流滤波电路，能承受较高的谐波电流及峰值电流、电压
- 对于焊片式，可满足 96h 中性盐雾试验

■ Features

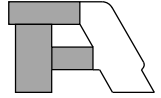
- Metallized polypropylene film design, excellent self-healing property
- Anti-explosion design, more safety overpressure protection
- The capacitors particularly suit for AC filter circuit in power electric equipment and UPS power unit. They have ability to withstand high harmonic current, peak current and peak voltage
- For tab type, the capacitors meet 96h neutral salt spray

■ 安全认证 Safety Approvals

	<p>TUV Rheinland (德国)</p>	<p>EN 61071:2017, EN 61881-1:2011, U_{rms}: 250Vac~1 200Vac, U_N:250Vac~1 700Vac, C_N: 3μF~660μF, -40°C/70°C or -40°C/85°C 证书号(Certificate No.):R 50479662</p>
---	-----------------------------------	---

■ 技术要求 Specifications

引用标准 Reference standards	GB/T 17702 (IEC 61071)
额定均方根电压 Rated RMS voltage (U_{rms})	焊片式 (Tab type) 250Vac ~ 500Vac (可根据客户要求定制 $U_{rms} \leq 660Vac$ 的设计) (The design of $U_{rms} \leq 660Vac$ can be customized according to customer requirements)
	螺栓式 (Bolt type) 250Vac ~ 850Vac (可根据客户要求定制 $U_{rms} \leq 1 500Vac$ 的设计) (The design of $U_{rms} \leq 1 500Vac$ can be customized according to customer requirements)
额定频率 Rated frequency (f_N)	50Hz/60Hz
额定电容量 Rated capacitance (C_N)	焊片式 (Tab type) 10 μ F ~ 150 μ F
	螺栓式 (Bolt type) 10 μ F ~ 600 μ F
电容量偏差 Capacitance tolerance	$\pm 5\%$ (J), $\pm 10\%$ (K), $-5\% \sim +10\%$ (6)
极间耐电压 Test voltage between terminals (U_{T-T})	$2.15U_{rms}$ or $1.5U_N$ (50Hz/60Hz), 10s
极壳耐电压 Test voltage between terminals to case (U_{T-C})	焊片式 (Tab type) 3 000Vac (50Hz/60Hz), 10s
	螺栓式 (Bolt type) 4 000Vac (50Hz/60Hz), 10s
绝缘电阻 Insulation resistance ($IR \times C_N$)	$\geq 10 000s$ (20°C, 500V, 1min)
介质损耗角正切 Dielectric dissipation factor ($\tan \delta_d$)	2×10^{-4}
气候类别 Climatic category	40/70/56
可运行温度范围 (热点温度) Operating temperature range (θ_{hs})	-40°C~ 85°C (建议使用过程中, 保证 $\theta_{hs} \leq 70^\circ C$, 否则会影响寿命) (It is suggested that θ_{hs} should be guaranteed to be less than 70°C in the use process, otherwise the lifetime will be affected)
贮存温度范围 Storage temperature range (θ_s)	-40°C~85°C (若 $\theta_s > 70^\circ C$, 会影响电容寿命) (If $\theta_s > 70^\circ C$, the lifetime will be affected)



预期寿命 Expected lifetime	$\Delta C/C$ ≤ 5% after 100 000h @0.8U _{rms} , θ_{hs} ≤ 70°C	
防爆装置 Explosion-proof device	过压力防护装置 Overpressure disconnecter	
内部填充料 Internal stuffing	Oil (Non PCB)	
冷却方式 Cooling	自然空气或强制制冷 Naturally air-cooled or force cooled	
安装 Installation	位置 Position	端子朝上 Terminals upright
	引出端形式 Terminal form	焊片式 (Tab type) AMP250# 插片每边 2 个 Two AMP250# per side
		螺栓式 (Bolt type) 螺栓式 M6、M8 或 M10 Bolt type M6, M8 or M10
	安装形式 Fixed style	焊片式 (Tab type) 底部螺栓 M8、M10 或 M12 Bottom-bolt M8, M10 or M12 中部卡圈 Ring-clip in the middle of case
螺栓式 (Bolt type) 底部螺栓 M12 Bottom-bolt M12		
电极最大扭矩 Max. torque of terminals	螺栓式 (Bolt type) 3N·m (M6), 6N·m (M8), 8N·m (M10)	
最大安装扭矩 Max. torque of installation	5N·m (M8), 7N·m (M10), 10N·m (M12)	
最高使用海拔 Max. altitude	2 000m: 电流不降额 (No derating for current) 2 000m to 5 000m: 电流每 500m 按 3% 降额 (Decreasing factor 3% per 500m for current)	

■ 产品编码说明 Part number system

15 位产品代码如下:

The 15 digits part number is formed as follow:

1	2	3	4	5	6	7	8	9	10	11	12	13	14	15
C	6	M												

第 1~3 位 型号代码

C6M

Digit 1 to 3

Series code

C6M

第 4~5 位 额定均方根电压

E2=250Vac R1=330Vac H2=500Vac

T1=540Vac U1=600Vac U2=690Vac

V2=760Vac W1=850Vac

Digit 4 to 5

Rated RMS voltage

E2=250Vac R1=330Vac H2=500Vac

T1=540Vac U1=600Vac U2=690Vac

V2=760Vac W1=850Vac

第 6~8 位 标称容量

举例: 506=50 × 10⁶pF=50μF

Digit 6 to 8

Rated capacitance value

For example: 506=50 × 10⁶pF=50μF

第 9 位

容量偏差

J=±5%, K=±10%, 6=-5%~+10%

Digit 9

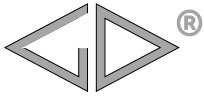
Capacitance tolerance

J=±5%, K=±10%, 6=-5%~+10%

第 10~15 位 内部特征码

Digit 10 to 15

Internal use



C6M

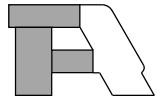
■ 技术参数 Technical data (mm)

焊片式 (Tab type)

U _{rms} =250Vac U _N =350Vac												
C _N (μF)	D±1 (mm)	D1 _{max} (mm)	H (mm)	P±1.5 (mm)	R _s (mΩ)	L _s (nH)	R _{th} (K/W)	I _{max} (A)	Î (kA)	Î _s (kA)	M (kg)	Part number
15	40	44	65	16	7.1	80	21.4	10	0.2	0.6	0.10	C6ME2156-*****
25	45	49	75	18	6.6	100	17.1	12	0.3	0.9	0.14	C6ME2256-*****
35	50	54	75	18	5.1	100	15.1	14	0.4	1.2	0.17	C6ME2356-*****
50	55	59	80	20	4.0	100	12.9	16	0.6	1.8	0.22	C6ME2506-*****
60	60	64	80	20	3.5	100	11.4	16	0.7	2.1	0.26	C6ME2606-*****
80	60	64	90	20	3.7	120	10.6	16	0.8	2.4	0.29	C6ME2806-*****
100	60	64	105	20	4.3	150	9.4	16	0.7	2.1	0.34	C6ME2107-*****
120	60	64	115	20	4.6	170	8.6	16	0.8	2.4	0.38	C6ME2127-*****
140	60	64	130	20	5.1	210	7.8	16	0.8	2.4	0.43	C6ME2147-*****
150	60	64	130	20	4.9	210	7.6	16	0.8	2.4	0.43	C6ME2157-*****

U _{rms} =330Vac U _N =460Vac												
C _N (μF)	D±1 (mm)	D1 _{max} (mm)	H (mm)	P±1.5 (mm)	R _s (mΩ)	L _s (nH)	R _{th} (K/W)	I _{max} (A)	Î (kA)	Î _s (kA)	M (kg)	Part number
15	45	49	65	18	5.8	80	18.7	11	0.3	0.9	0.12	C6MR1156-*****
20	45	49	75	18	6.5	100	16.5	12	0.3	0.9	0.14	C6MR1206-*****
25	50	54	75	18	5.5	100	15.0	13	0.4	1.2	0.17	C6MR1256-*****
30	50	54	75	18	4.8	100	14.3	14	0.5	1.5	0.17	C6MR1306-*****
35	55	59	80	20	4.3	100	12.9	16	0.6	1.8	0.22	C6MR1356-*****
40	60	64	80	20	3.9	100	12.1	16	0.6	1.8	0.26	C6MR1406-*****
50	60	64	90	20	4.3	120	10.9	16	0.7	2.1	0.29	C6MR1506-*****
60	60	64	90	20	3.8	120	10.3	16	0.8	2.4	0.29	C6MR1606-*****
80	60	64	115	20	5.2	170	8.7	16	0.7	2.1	0.38	C6MR1806-*****
100	60	64	130	20	5.5	210	7.7	16	0.8	2.4	0.43	C6MR1107-*****

U _{rms} =500Vac U _N =700Vac												
C _N (μF)	D±1 (mm)	D1 _{max} (mm)	H (mm)	P±1.5 (mm)	R _s (mΩ)	L _s (nH)	R _{th} (K/W)	I _{max} (A)	Î (kA)	Î _s (kA)	M (kg)	Part number
10	45	49	75	18	5.3	100	16.7	11	0.3	0.9	0.14	C6MH2106-*****
12	45	49	75	18	4.6	100	15.9	12	0.4	1.2	0.14	C6MH2126-*****
15	50	54	75	18	4.0	100	14.5	14	0.5	1.5	0.17	C6MH2156-*****
20	55	59	80	20	3.3	100	12.5	16	0.7	2.1	0.22	C6MH2206-*****
25	60	64	80	20	2.9	100	11.4	16	0.9	2.7	0.26	C6MH2256-*****
30	60	64	90	20	3.3	120	10.5	16	0.8	2.4	0.29	C6MH2306-*****
35	60	64	105	20	3.9	150	9.6	16	0.7	2.1	0.34	C6MH2356-*****
40	60	64	105	20	3.6	150	9.1	16	0.9	2.7	0.34	C6MH2406-*****
45	60	64	115	20	4.0	170	8.5	16	0.8	2.4	0.38	C6MH2456-*****
50	60	64	130	20	4.6	210	7.9	16	0.8	2.4	0.43	C6MH2506-*****



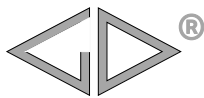
■ 技术参数 Technical data (mm)

螺栓式(Bolt type)

U _{rms} =250Vac U _N =350Vac												
C _N (μF)	D±1 (mm)	D1 _{max} (mm)	H (mm)	P±1 (mm)	R _s (mΩ)	L _s (nH)	R _{th} (K/W)	I _{max} (A)	Î (kA)	Î _s (kA)	M (kg)	Part number
150	76	80	120	30	2.8	140	7.3	35	2.4	7.2	0.6	C6ME2157-*****
160	76	80	120	30	2.6	140	7.1	36	2.6	7.8	0.6	C6ME2167-*****
180	76	80	130	30	2.9	160	6.7	35	2.4	7.2	0.6	C6ME2187-*****
200	76	80	130	30	2.7	160	6.5	37	2.7	8.1	0.6	C6ME2207-*****
230	76	80	145	30	3.0	190	6.0	36	2.4	7.1	0.7	C6ME2237-*****
250	76	80	170	30	2.0	110	5.3	47	2.6	7.8	0.8	C6ME2257-*****
300	76	80	200	30	1.9	140	4.7	51	4.8	14.4	1.0	C6ME2307-*****
350	76	80	200	30	1.8	140	4.4	54	5.6	16.8	1.0	C6ME2357-*****
400	86	90	200	30	1.6	140	4.3	57	6.4	19.2	1.3	C6ME2407-*****
500	86	90	220	30	1.7	160	3.8	59	6.6	19.8	1.4	C6ME2507-*****
600	86	90	250	30	1.8	190	3.4	59	6.2	18.6	1.6	C6ME2607-*****

U _{rms} =330Vac U _N =460Vac												
C _N (μF)	D±1 (mm)	D1 _{max} (mm)	H (mm)	P±1 (mm)	R _s (mΩ)	L _s (nH)	R _{th} (K/W)	I _{max} (A)	Î (kA)	Î _s (kA)	M (kg)	Part number
80	63.5	67.5	110	25	3.7	140	8.7	25	1.2	3.6	0.4	C6MR1806-*****
100	76	80	120	30	3.1	140	7.4	31	1.6	4.8	0.6	C6MR1107-*****
120	76	80	120	30	2.8	140	6.9	34	1.9	5.7	0.6	C6MR1127-*****
140	76	80	145	30	3.7	190	6.3	31	1.4	4.2	0.7	C6MR1147-*****
150	76	80	145	30	3.5	190	6.1	32	1.6	4.8	0.7	C6MR1157-*****
160	76	80	145	30	3.4	190	6.0	33	1.7	5.1	0.7	C6MR1167-*****
180	76	80	170	30	1.7	110	5.2	49	1.9	5.7	0.8	C6MR1187-*****
200	76	80	200	30	2.0	140	4.8	47	3.2	9.6	1.0	C6MR1207-*****
230	76	80	200	30	2.0	140	4.6	49	3.7	11.1	1.0	C6MR1237-*****
250	76	80	200	30	1.9	140	4.4	51	4.0	12.0	1.0	C6MR1257-*****
300	86	90	200	30	1.7	140	4.1	54	4.8	14.4	1.3	C6MR1307-*****
350	86	90	220	30	1.7	160	3.8	55	4.6	13.8	1.4	C6MR1357-*****
400	86	90	250	30	2.0	190	3.5	54	4.1	12.3	1.6	C6MR1407-*****

U _{rms} =500Vac U _N =700Vac												
C _N (μF)	D±1 (mm)	D1 _{max} (mm)	H (mm)	P±1 (mm)	R _s (mΩ)	L _s (nH)	R _{th} (K/W)	I _{max} (A)	Î (kA)	Î _s (kA)	M (kg)	Part number
20	76	80	75	30	1.9	80	9.8	22	1.2	3.6	0.4	C6MH2206-*****
50	76	80	120	30	2.6	140	7.5	32	1.2	3.6	0.6	C6MH2506-*****
60	76	80	120	30	2.3	140	7.1	34	1.4	4.2	0.6	C6MH2606-*****
70	76	80	145	30	3.1	190	6.4	32	1.1	3.3	0.8	C6MH2706-*****
80	76	80	145	30	2.8	190	6.1	34	1.2	3.6	0.8	C6MH2806-*****
90	76	80	145	30	2.6	190	5.8	36	1.4	4.2	0.8	C6MH2906-*****
100	76	80	200	30	1.7	140	4.9	48	2.3	6.9	1.1	C6MH2107-*****
133	86	90	200	30	1.5	140	4.4	53	3.1	9.3	1.1	C6MH2A00-*****
150	86	90	200	30	1.4	140	4.2	55	3.5	10.5	1.1	C6MH2157-*****
200	86	90	220	30	1.4	160	3.7	58	3.9	11.7	1.2	C6MH2207-*****
250	86	90	250	30	1.5	190	3.2	59	3.8	11.4	1.4	C6MH2257-*****



C6M

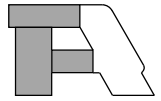
■ 技术参数 Technical data (mm)

螺栓式(Bolt type)

U _{rms} =540Vac U _N =760Vac												
C _N (μF)	D±1 (mm)	D1 _{max} (mm)	H (mm)	P±1 (mm)	R _s (mΩ)	L _s (nH)	R _{th} (K/W)	I _{max} (A)	Î (kA)	Î _s (kA)	M (kg)	Part number
22	76	80	85	30	1.8	80	9.6	29	1.4	4.2	0.4	C6MT1226-*****
33	76	80	105	30	1.8	120	8.3	33	1.4	4.2	0.5	C6MT1336-*****
47	76	80	120	30	2.4	140	7.1	33	1.1	3.3	0.6	C6MT1476-*****
60	76	80	145	30	3.1	190	6.2	33	0.9	2.7	0.7	C6MT1606-*****
68	76	80	145	30	2.8	190	5.9	35	1.0	3.0	0.7	C6MT1686-*****
82	76	80	170	30	1.4	110	4.9	50	2.7	8.1	0.8	C6MT1826-*****
100	86	90	170	30	1.3	110	4.6	54	3.3	9.9	1.0	C6MT1107-*****
120	76	80	250	30	2.1	190	3.8	49	1.8	5.4	1.2	C6MT1127-*****
150	86	90	250	30	1.9	190	3.6	53	2.3	6.9	1.5	C6MT1157-*****
200	96	101	250	30	1.6	190	3.2	58	3.0	9.0	1.9	C6MT1207-*****
250	106	111	250	35	1.4	190	2.9	62	3.8	11.4	2.3	C6MT1257-*****
300	106	111	250	35	1.3	190	2.7	64	4.5	13.5	2.3	C6MT1307-*****

U _{rms} =600Vac U _N =850Vac												
C _N (μF)	D±1 (mm)	D1 _{max} (mm)	H (mm)	P±1 (mm)	R _s (mΩ)	L _s (nH)	R _{th} (K/W)	I _{max} (A)	Î (kA)	Î _s (kA)	M (kg)	Part number
22	76	80	105	30	2.6	120	8.2	28	0.8	2.4	0.5	C6MU1226-*****
33	76	80	120	30	2.7	140	7.1	31	0.8	2.4	0.6	C6MU1336-*****
47	76	80	170	30	2.1	120	5.3	41	1.7	5.1	0.8	C6MU1476-*****
50	76	80	170	30	2.1	120	5.2	42	1.8	5.4	0.8	C6MU1506-*****
60	86	90	170	30	1.9	110	4.8	45	2.2	6.6	1.0	C6MU1606-*****
68	86	90	170	30	1.4	110	4.7	51	2.4	7.2	1.0	C6MU1686-*****
82	86	90	200	30	1.7	140	4.1	52	2.1	6.3	1.2	C6MU1826-*****
100	76	80	250	30	2.2	190	3.5	51	1.6	4.8	1.2	C6MU1107-*****
120	86	90	250	30	1.9	190	3.4	54	2.0	6.0	1.5	C6MU1127-*****
150	96	101	250	30	1.7	190	3.1	57	2.4	7.2	1.9	C6MU1157-*****
180	106	111	250	35	1.6	190	2.8	62	2.9	8.7	2.3	C6MU1187-*****
200	116	121	250	35	1.4	190	2.8	64	3.3	9.9	2.8	C6MU1207-*****

U _{rms} =690Vac U _N =980Vac												
C _N (μF)	D±1 (mm)	D1 _{max} (mm)	H (mm)	P±1 (mm)	R _s (mΩ)	L _s (nH)	R _{th} (K/W)	I _{max} (A)	Î (kA)	Î _s (kA)	M (kg)	Part number
15	76	80	95	30	2.4	100	9.4	25	0.8	2.4	0.5	C6MU2156-*****
22	76	80	105	30	2.4	120	8.1	28	0.9	2.7	0.5	C6MU2226-*****
33	76	80	170	30	2.1	120	6.0	36	1.3	3.9	0.8	C6MU2336-*****
47	86	90	170	30	1.8	110	5.3	42	1.9	5.7	1.0	C6MU2476-*****
60	86	90	200	30	2.0	140	4.6	43	1.7	5.1	1.2	C6MU2606-*****
68	86	90	200	30	1.6	140	4.4	49	1.9	5.7	1.2	C6MU2686-*****
82	86	90	250	30	2.0	190	3.8	48	1.5	4.5	1.5	C6MU2826-*****
100	86	90	250	30	1.8	190	3.5	52	1.8	5.4	1.5	C6MU2107-*****
120	96	101	250	30	1.6	190	3.3	55	2.2	6.6	1.9	C6MU2127-*****
150	106	111	250	35	1.4	190	3.0	59	2.7	8.1	2.3	C6MU2157-*****
200	116	121	250	35	1.3	190	2.8	64	3.3	9.9	2.8	C6MU2207-*****



■ 技术参数 Technical data (mm)

螺栓式(Bolt type)

U _{rms} =760Vac/850Vac* U _N =1 070Vac/1 200Vac												
C _N (μF)	D±1 (mm)	D1 _{max} (mm)	H (mm)	P±1 (mm)	R _s (mΩ)	L _s (nH)	R _{th} (K/W)	I _{max} (A)	Î (kA)	Î _s (kA)	M (kg)	Part number
10	76	80	95	30	2.7	100	8.8	22	0.6	1.8	0.5	C6MW1106-*****
15	76	80	105	30	2.7	120	7.6	26	0.7	2.1	0.5	C6MW1156-*****
22	76	80	145	30	4.4	190	6.3	25	0.5	1.5	0.7	C6MW1226-*****
33	76	80	170	30	1.9	110	4.9	40	1.5	4.5	0.8	C6MW1336-*****
47	86	90	200	30	2.1	140	4.2	43	1.7	5.1	1.2	C6MW1476-*****
68	86	90	250	30	2.0	190	3.4	49	1.4	4.2	1.5	C6MW1686-*****
82	96	101	250	30	1.8	190	3.2	52	1.7	5.1	1.9	C6MW1826-*****
100	96	101	250	30	1.6	190	2.9	56	2.1	6.3	1.9	C6MW1107-*****
150	116	121	250	35	1.5	190	2.6	62	2.9	8.7	2.8	C6MW1157-*****

备注 Note:1. “-”表示电容量偏差。 “-” = Capacitance tolerance code, J=±5%, K=±10%, 6=-5%~+10%.

2. “*****”表示内部特征码。 “*****” = Internal use

3. “#”当额定均方根电压为760Vac时，第4~5位是V2。 “#” when the rated RMS voltage is 760Vac, the digit 4~5 is V2.

4. “R_{th}”是指在自然冷却条件下，电容器热点到环境的热阻。

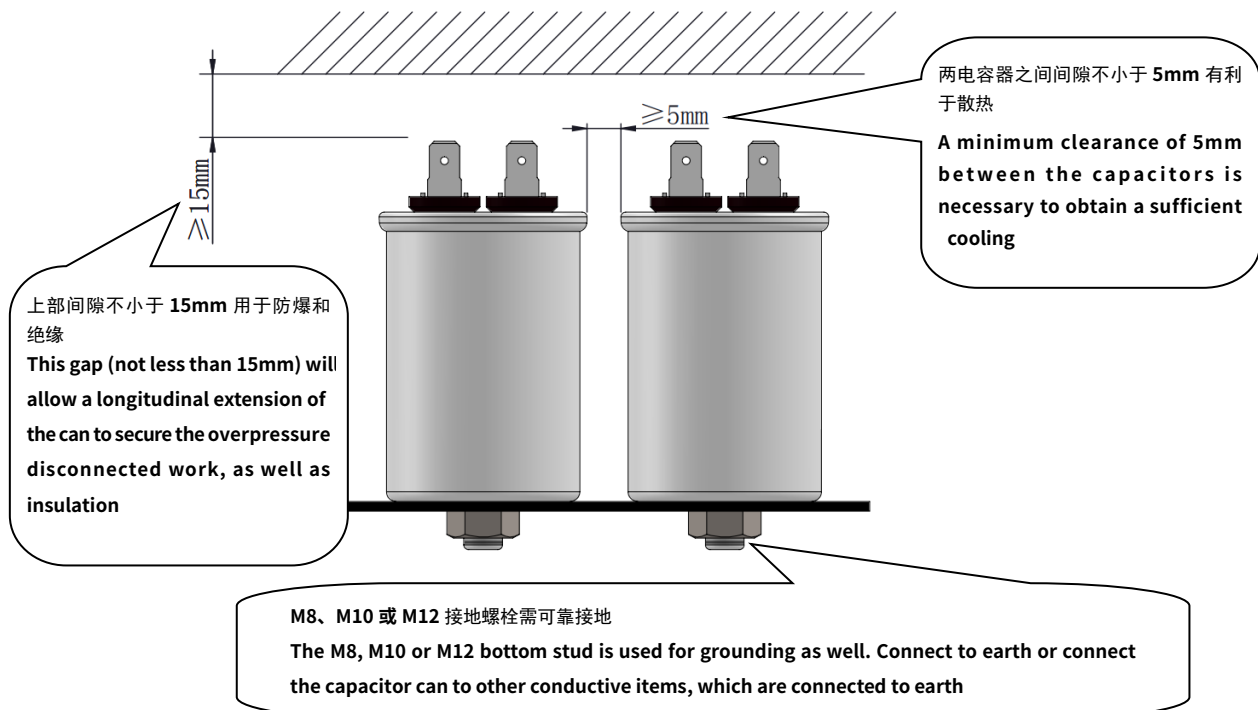
“R_{th}” = R_{th} between hotspot and ambient on natural cooling condition.

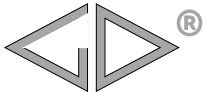
5. I_{max}可应要求提供更高数值。 For I_{max} higher values available on request.

■ 安装空间要求 Installation space requirements

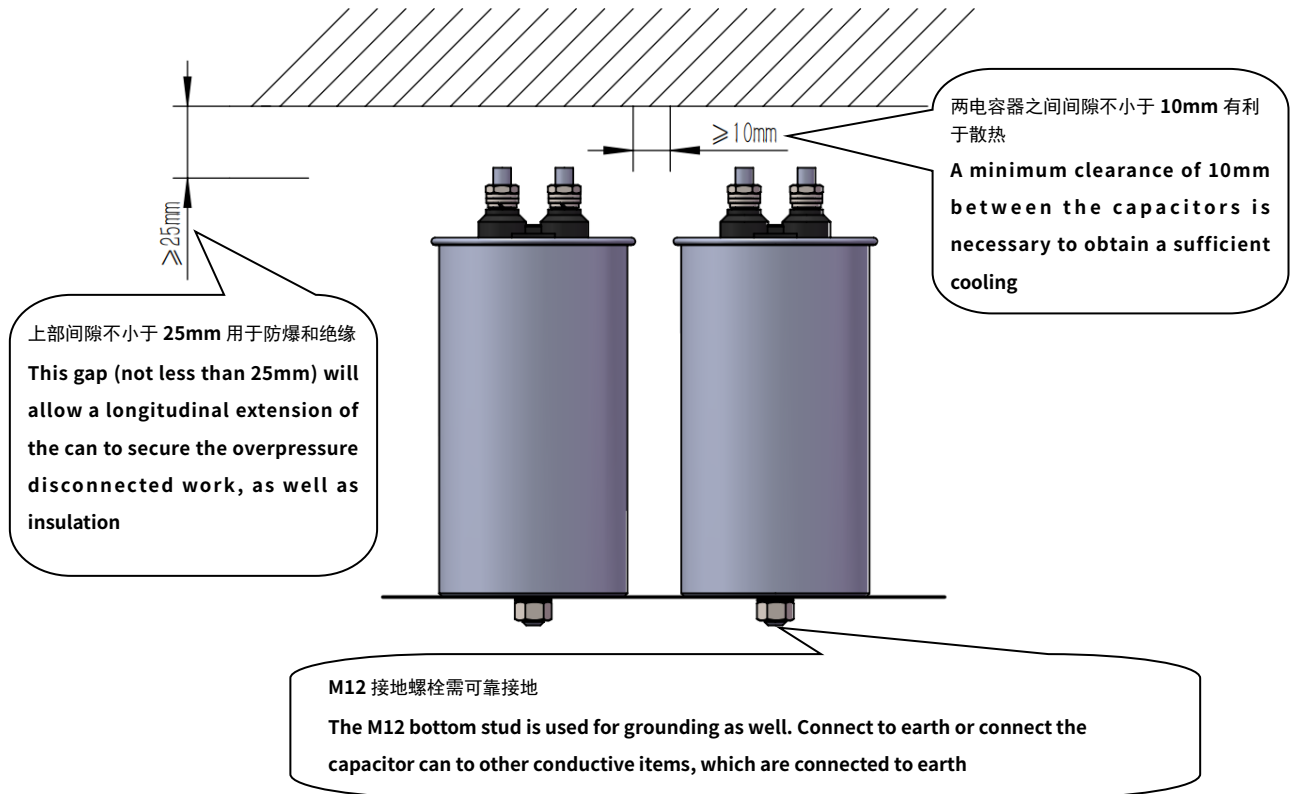
电容要安装在阴凉、通风良好的位置，且其周围不能有热辐射的物体，如滤波电路电抗器、太阳直射。

The capacitor is to be installed at a cool and well-ventilated place, and must not be installed within the range of heat radiating objects, e.g. filter circuit reactors, direct sun radiation.





C6M

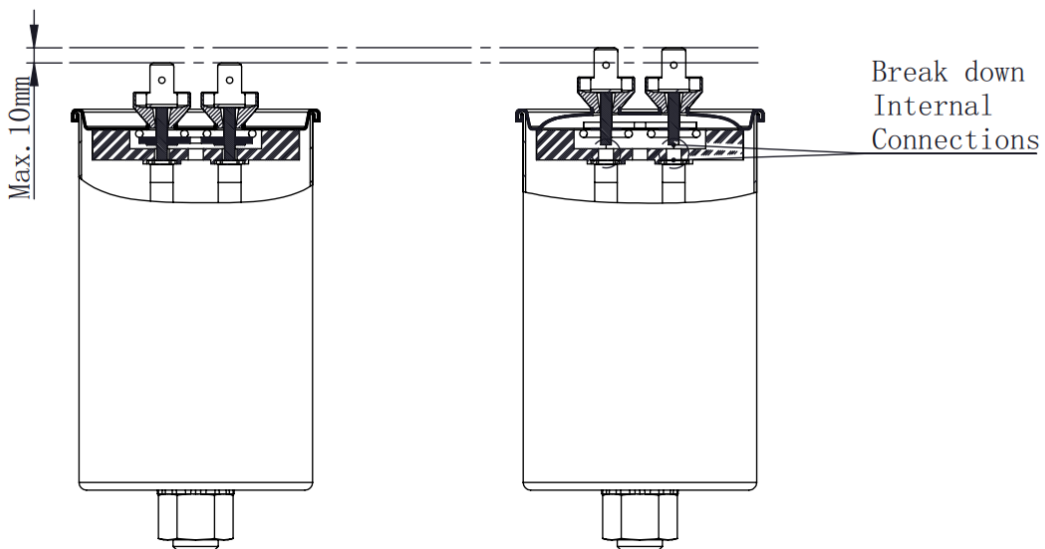


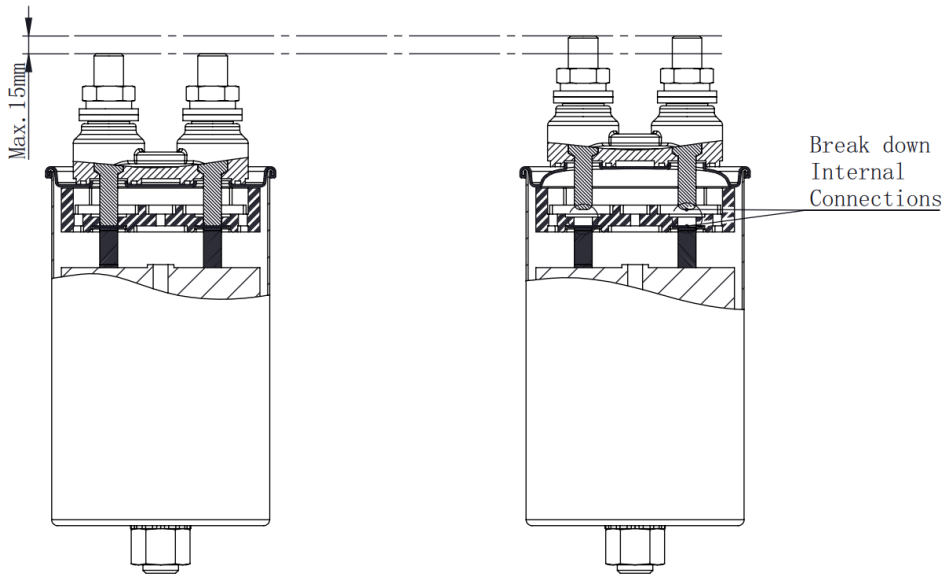
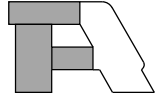
电容主要是通过底部螺栓安装固定，若需要其它安装固定方式，请联系我司技术人员确认。

The capacitor is mainly installed by bolts at the bottom. If you need other installation methods, please contact our technical staff to check.

电容的过压力防护装置需要通过盖面鼓起动作，所以盖面到引出端顶部间不能安装影响防爆动作的其它配件，装置动作前后如下图所示。

The overpressure disconnector of the capacitor is triggered by the cover bulge, so no other components can be installed between the cover and the top of the terminal end that affect the overpressure disconnector action. Before and after the action of the overpressure disconnector is shown in the figure below.





电容必须要垂直安装，且引出端子朝上。

The capacitor must be mounted vertically with the terminal is upward.

■ 连接电缆(以 C6M 螺栓式为例) Connection of the supply cable(Take C6M bolt type as an example)

产品本体（参考外形图的 $\phi D \times H$ ）上部必须保持足够的空间（参考安装空间要求），该空间内不能安装其它组件。

Keep enough space (refer to the outline drawing $\phi D \times H$) on the top of the capacitors (refer to installation space requirements) and no other components can be installed in this space.

连接电缆要使用软性电线并保持松弛，不能用硬芯电缆，若使用母排等连接方式，请联系我司技术人员确认。

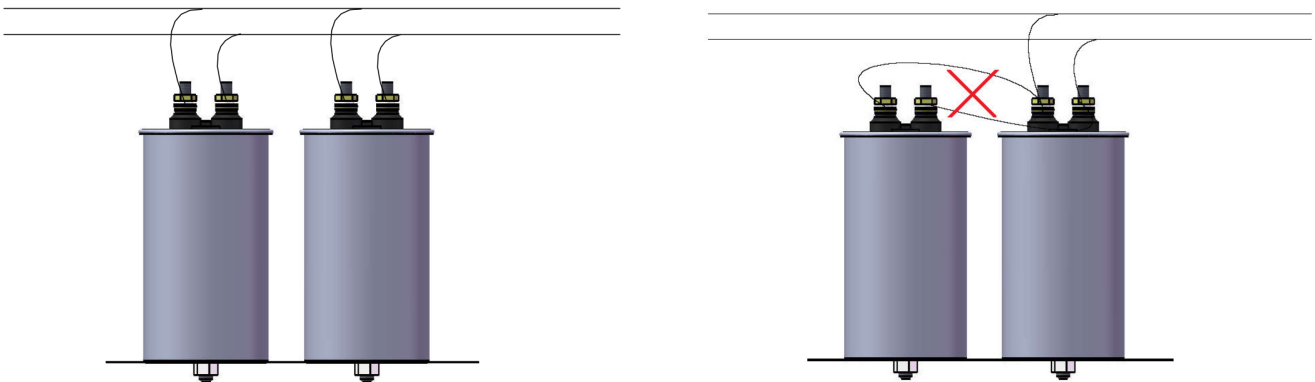
The connection cable shall be of flexible type and keep slack, do not use hard core cable. If using busbar connection or other methods, please contact our technical staff to check.

可根据实际电流值来选择合适的电缆。

According to actual result to choose the appropriate cable.

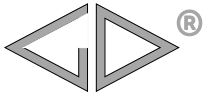
对于多个电容器并联，每个电容器采用直接连接到母线上方式，若有其他连接方式请联系我们。

For capacitors connected in parallel, each capacitor should use independent lead wires, if you have any other connection way please contact us.

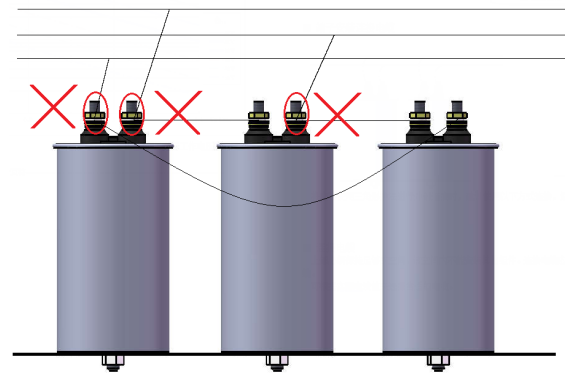
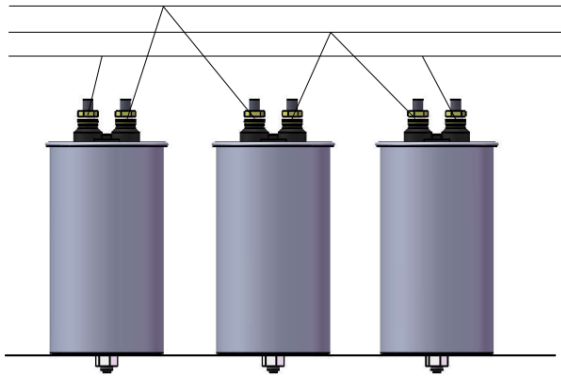


将电容使用三角形接法进行外部连接时，建议使用以下方式连接，避免汇流导致端子过热。

When the capacitors are connected externally by the delta connection method, it is recommended to use the following way connection, avoid terminals overheating due to current confluence.



C6M



■ 安装注意事项 Installation cautions

操作前注意电容器必须充分放电。

Discharge the capacitor completely before operation.

注意端子最大可承受电流，端子总电流不得超出规定的最大值：

Pay attention to the Max. Current on the terminals, the total current on terminals must not go beyond the Max. current by specified:

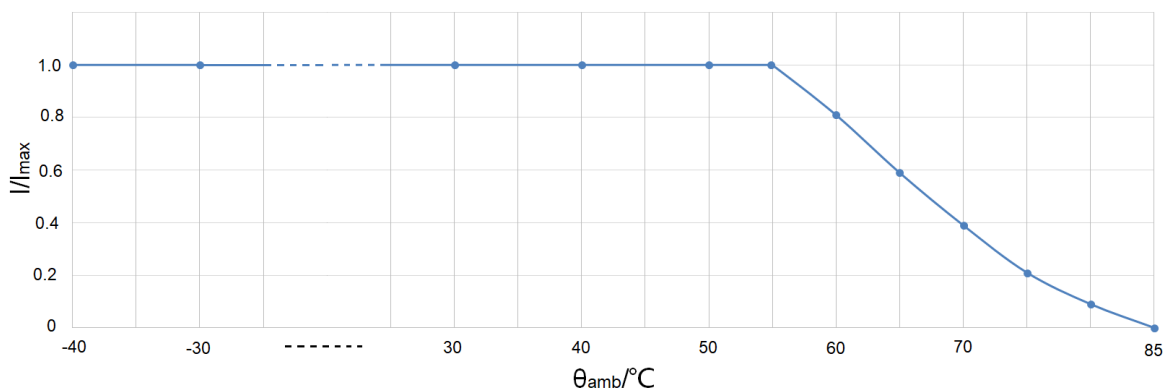
- 焊片式 AMP250#引出端子最大电流为 16A。
The Max. Current on terminals is 16A for tab type AMP250# terminals.
- M6 引出螺栓最大电流为 60A。
The Max. Current on terminals is 60A for Bolt M6 terminals.
- M8 引出螺栓最大电流为 80A。
The Max. Current on terminals is 80A for Bolt M8 terminals.
- M10 引出螺栓最大电流为 100A。
The Max. Current on terminals is 100A for Bolt M10 terminals.

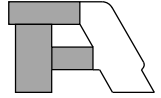
■ 环境温度 Ambient temperature

建议电容使用环境温度 $\leq 55^{\circ}\text{C}$ ；当环境温度 $> 55^{\circ}\text{C}$ 时，随环境温度升高，电容发热功率应逐渐下降，当环境温度达最高温度 85°C 时，电容发热功率为 0W 。电容环境温度的使用，可参照预期寿命曲线和电流随环境温度降额曲线。

The capacitors' working ambient temperature that we recommend is 55°C (or lower). When the ambient temperature exceeds 55°C , considering the ambient temperature rising, the active power of the capacitor should be gradually decreased(When it gets to the highest temperature(85°C), the active power of the capacitor should be decreased to 0 Watt). If you want to know more details about the capacitors' operating temperature, please refers to the expected lifetime curves of capacitors and the current derating curve with ambient temperature.

电流随环境温度降额曲线
Current derating curve with ambient temperature





■ 冲击电流限制 Inrush current limitation

当电容器接入电路或设备切换时可能会出现高幅值和高频率的暂态过电流，暂态过电流可能是额定电流数十倍或更大的冲击电流，但要保证电容器不在电流超过 I_{\max} (最大电流)、 \hat{I} (最大峰值电流)和 \hat{I}_s (最大冲击电流)规定的最大参数值下运行。

Transient overcurrents of high amplitude and frequency may occur when capacitors are switched into the circuit or the equipment is switched. Transient overcurrent may be tens of times the rated current or greater impulse current. However, make sure that the capacitor does not operate with current exceeding the maximum parameters specified by I_{\max} (maximum current), \hat{I} (maximum peak current) and \hat{I}_s (maximum impulse current).

I_{\max} : 连续运行时的最大均方根电流。

I_{\max} : **The maximum RMS current at continuous operation.**

\hat{I} : 在连续运行中出现的最大重复峰值电流，通常持续时间为 ms 级。

\hat{I} : **The maximum repeated peak current that occurs in continuous operation. Usually the duration is ms level.**

\hat{I}_s : 由切换或系统中任何其它扰动所感应的非重复峰值电流，此电流只允许持续比基本周期短的时间和出现有限的次数，通常持续时间为 μs 级且在生命周期内不超过 1 000 次。

\hat{I}_s : **A non-repeating peak current induced by a switch or any other disturbance in the system that is allowed to last only a limited number of times shorter than the base period. Usually the duration is μs level and it occurs not more than 1 000 times in a lifetime.**

■ 谐波 Harmonics

谐波是由于一些非线性电器运行时造成的，这些载荷诸如现代电力电子中的转换器、电气传动、焊接机、备用电源等。谐波由一系列频率为 50Hz 或 60Hz 倍数的正弦电流和电压组成。

Harmonics result from the operation of electrical loads with non-linear voltage-current characteristics. They are caused by loads operated with modern power electronic, such as converters, electrical drives, welding machines and stand-by power supplies. Harmonics are sinusoidal voltages and currents with frequencies that are multiples of a 50Hz or 60Hz power supply frequency.

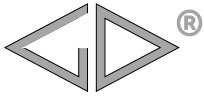
在使用过程中计算产品的温升以及核心热点温度是必要的，若使用过程中理论计算出的电容器热点超出了允许的最高范围，建议检查输入线的电流总谐波畸变率 THD_i ，并按以下要求执行：

It is necessary to calculate the temperature rise of the capacitors from hotspot to case during the using process. If the temperature rise of theoretical calculation of capacitors' hotspot beyond the maximum allowable range, we would propose to check the total harmonic current distortion (THD_i) of the input terminals, and according to the following requirements:

- 当 $I_N \geq 40A$ 时，建议 $THD_i \leq 100\%$ 。
When $I_N \geq 40A$, suggest $THD_i \leq 100\%$.
- 当 $40A > I_N \geq 35A$ 时，建议 $THD_i \leq 150\%$ 。
When $40A > I_N \geq 35A$, suggest $THD_i \leq 150\%$.
- 当 $35A > I_N \geq 30A$ 时，建议 $THD_i \leq 200\%$ 。
When $35A > I_N \geq 30A$, suggest $THD_i \leq 200\%$.
- 当 $30A > I_N \geq 25A$ 时，建议 $THD_i \leq 250\%$ 。
When $30A > I_N \geq 25A$, suggest $THD_i \leq 250\%$.
- 当 $25A > I_N \geq 20A$ 时，建议 $THD_i \leq 300\%$ 。
When $25A > I_N \geq 20A$, suggest $THD_i \leq 300\%$.
- 当 $I_N < 20A$ 时，关于 THD_i 的限定，请联系我司技术人员确认。
When $I_N < 20A$, please contact our technical staff to check the THD_i limit.

(注： I_N 是指额定均方根电压、额定容量条件下的基波电流。)

(Note: I_N is the fundamental current under rated RMS voltage and rated capacity.)



C6M

$$THD_i = \frac{\sqrt{\sum_{n=1}^{\infty} I_n^2}}{I_0} \times 100(\%)$$

(THD_i: 电流总谐波畸变率, I₀: 实际工作的基波电流, I_n: 实际工作的谐波电流)

(THD_i: Total current harmonic distortion, I₀: Actual working fundamental current, I_n: Actual working harmonic current)

■ 安全注意事项 Safety

电容器外壳保持良好和可靠接地。

Maintain good and effective earthing for enclosures of capacitors.

拆装电容器时要确保电容器已放电干净。

Handle capacitor to ensure capacitor has discharge clean.

遵循良好的工程规范。

Follow good engineering practices.

■ 过流/短路保护 Over current/short circuit protection

建议使用限流熔断器或塑壳断路器来进行短路保护。短路保护的元件以及连接电缆需能长时间承受 1.5 倍电容器额定电流。

HRC-fuse or MCCB for short circuit protection is recommended to use. Short circuit protection equipment and connection cable should be selected so that the 1.5 times rated current of the capacitor can be managed permanently.

限流熔断器额定电流值应为正常电容电流的 1.6~1.8 倍。

HRC-fuse rating has to be 1.6 to 1.8 times nominal capacitor current.

使用热磁继电器为过载保护。

Use thermal magnetic overcurrent relays for overload protection.

将电容使用星形接法进行外部连接时, 为了保证三相电压不发生偏压, 建议中性点接地使用。

When the capacitors are connected externally by the star connection method, the neutral point grounding is recommended for keep the three-phase voltage balance.

■ 维护 Maintenance

检查连接线与端子螺丝是否打紧。

Check tightness of Connections/terminals periodically.

定期清理引出端子避免因灰尘或其他可导电的垃圾引起短路。

Clean the terminals periodically to avoid dust or other conductive garbage can cause a short-circuit.

检查短路保护保险丝。

Check short circuit protection fuses.

每半年使用电流钳表或其他在线测电流的工具测量电容器电流。

Every half a year use current clamp table or other on-line measuring tools of current measurement capacitor current.

■ 安装与调试步骤 Installation & commissioning procedures

1. 打开包装箱取出电容

Unpack Capacitor

取电容时请勿直接抓取端子。

Do not touch capacitor terminals by hand directly while taking them

2. 检查电容器外观 (是否有机械损伤)

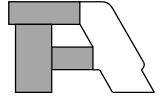
Check Physically

3. 固定好电容器

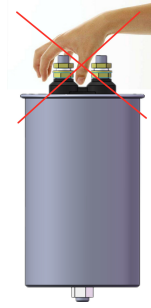
Fixed capacitors



C6M



4. 确保使用电容器场合的电压、频率、温度在电容器额定值以下
Ensure for correctness of supply voltage, frequency, temperature
5. 连接好电容器
Connect Capacitor
6. 打开电源开关
Switch on supply
7. 检查主回路的电压与电流是否正常
Check main supply Voltage & current
8. 电容器正常运行
Capacitor is commissioned



■ 预期寿命 Expected lifetime

电容器的应用中，有多种因素会影响到电容器的使用寿命，比如电压、温度、电流、电网谐波、光照或辐射以及其它一些未知的因素。预期寿命仅考虑电压、温度的关系，基于长期耐久性试验的合格结果，再通过预期寿命理论计算公式计算该电容在不同工况下的预期寿命。因此，预期寿命仅作为选型参考，而不代表电容器的实际使用寿命，也不代表质保要求。

For capacitors application, various factors will affect the expected lifetime of capacitors, such as voltage, temperature, current, network harmonics, humidity, lighting or radiation and other unknown factors. The lifetime only considers the relationship between voltage and temperature. Based on the qualified results of long-term durability test, the lifetime curve of the capacitor under different working conditions is calculated by using the theoretical calculation formula of lifetime. Therefore, the lifetime is only used as a reference for selection, and does not represent the actual service life of the capacitor, nor does it represent the quality assurance requirements.

X-ON Electronics

Largest Supplier of Electrical and Electronic Components

Click to view similar products for [Film Capacitors](#) category:

Click to view products by [FARATRONIC](#) manufacturer:

Other Similar products are found below :

[703-6G](#) [82DC4100CK60J](#) [82EC1100DQ50K](#) [MMWAF150KME](#) [PCY2130F30153](#) [QXJ2E474KTPT](#) [QXL2B333KTPT](#) [QXM2G104K](#)
[DPM16S56K-1F](#) [EEC2G505HQA406](#) [B32234-.033@250V-K](#) [B81133-C1104-M3](#) [MTC355L1](#) [217-0716-001](#) [PA225L30](#) [CB182K0184J--](#)
[KP1830-247/061-G](#) [274ACF4400WA0J](#) [274ACF5150WA0J](#) [SCD105K122A3-22](#) [SCD205K122A3-24](#) [PCX2339F65224](#) [PCX2339F65334](#)
[2222 368 55105](#) [2222 370 21683](#) [QXL2E473KTPT](#) [445450-1](#) [MKT182022263473](#) [WMC08P22](#) [46KN410000N1K](#) [46KR368050M1M](#) [ECQ-](#)
[W4223KZ](#) [EEC2G805HQA415](#) [PA103L30](#) [82DC4100AA60K](#) [82EC2150DQ50K](#) [VEA105K50](#) [82IC2150DQ50J](#) [82EC2220DQ50J](#)
[MTC55L4](#) [MTC56L4](#) [PA104L30](#) [PA224L30](#) [82DC3220AA60J](#) [82EC4100DQ70J](#) [WYP-104M](#) [82CC4220AA70J](#) [82EC3100Z370J](#)
[B32656S8105K566](#) [EEC2G105HQA401](#)