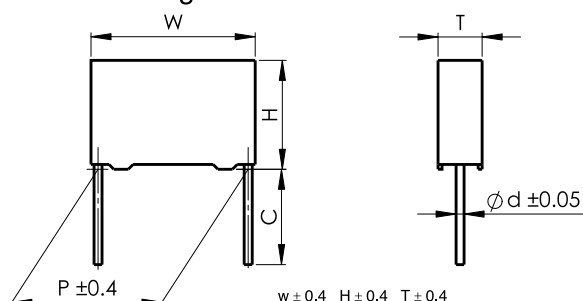




塑料外壳双面金属化聚丙烯膜电容器

Double sided metallized polypropylene film capacitor (Box-type)

■ 外形图 Outline Drawing



■ 特点

- 双面金属化聚丙烯膜
- 损耗小，内部温升小
- 负电容量温度系数
- 优异的阻燃性能

■ 主要用途

- 广泛应用于高压高频脉冲电路中
- 电子镇流器和节能灯中
- 吸收和SCR整流电路

■ 技术要求 Specifications

■ Features

- Doublesided metallized polypropylene film
- Low loss and small inherent temperature rise
- Negative temperature coefficient of capacitance
- Excellent active and passive flame resistant abilities

■ Typical Applications

- Widely used in high voltage, high frequency and pulse circuit
- Electronic ballasts and compact lamps
- SNUBBER and SCR commutating circuits

引用标准 Reference Standard	GB/T 10190(IEC 60384-16)					
气候类别 Climatic Category	40/105/56					
额定温度 Rated Temperature	85°C for U_R (dc); 75°C for U_R (ac)					
工作温度 Operating Temperature Range	-40°C ~105°C (+85°C to +105°C: decreasing factor 1.25% per °C for U_R (dc)) (+75°C to +105°C: decreasing factor 1.35% per °C for U_R (ac))					
额定电压 Rated Voltage	250V, 400V, 630V, 1 000V, 1 600V, 2 000V					
电容量范围 Capacitance Range	0.00022μF ~ 3.9μF					
电容量偏差 Capacitance Tolerance	± 2%(G), ± 3%(H), ± 5%(J), ± 10%(K), ± 20%(M)					
耐电压 Voltage Proof	1.6 U_R (5s)					
损耗角正切 Dissipation Factor	≤ 10 × 10 ⁻⁴ (1kHz, 20°C)					
绝缘电阻 Insulation Resistance	R ≥ 100 000MΩ, C_N ≤ 0.33μF R C_N ≥ 30 000, C_N > 0.33μF (20°C ,100V, 1min)					
最大脉冲爬升速率 Maximum Pulse Rise Time(dV/dt): 若实际工作电压 U 比额定电压 U_R 低, 电容器可工作在更高的 dV/dt 场合, 这样 dv/dt 允许值应为右表值乘以 U_R/U 。 If the working voltage(U) is lower than the rated voltage(U_R), the capacitor can be worked at a higher dV/dt. In this case, the maximum allowed dV/dt is obtain by multiplying the right value with U_R/U .	U_R (V)	dV/dt (V/μs)				
		P=7.5	P=10.0	P=15.0	P=22.5	P=27.5
	250	1 200	1 000	550	250	200
	400	1 800	1 500	900	500	300
	630	3 200	3 200	2 500	1 500	900
	1 000	6 000	6 000	3 300	2 100	1 000
1 600	---	---	6 000	3 000	2 000	
2 000	---	---	10 000	5 000	2 200	

产品编码说明 Part number system

■ 18位产品代码如下：

The 18 digits part number is formed as follow:

1	2	3	4	5	6	7	8	9	10	11	12	13	14	15	16	17	18
C	8	2															

第1~3位	型号代码 C82= MMKP82	Digit 1 to 3	Series code C82= MMKP82
第4~5位	直流额定电压 2E=250V 2G=400V 2J=630V 3A=1 000V 3C=1 600V 3D=2 000V	Digit 4 to 5	D.C. rated voltage 2E=250V 2G=400V 2J=630V 3A=1 000V 3C=1 600V 3D=2 000V
第6~8位	标称容量 举例：103=10 × 10 ³ pF=0.01μF	Digit 6 to 8	Rated capacitance value For example: 103=10 × 10 ³ pF=0.01μF
第9位	容量偏差 G= ± 2%,H = ± 3%,J= ± 5% K= ± 10%, M= ± 20%	Digit 9	Capacitance tolerance G= ± 2%,H = ± 3%,J= ± 5% K= ± 10%, M= ± 20%
第10位	引线脚距P 3=7.5mm 4=10.0mm 6=15.0mm 9=22.5mm B=27.5mm	Digit 10	Pitch 3=7.5mm 4=10.0mm 6=15.0mm 9=22.5mm B=27.5mm
第11位	内部特征码	Digit 11	Internal use
第12~15位	引线加工和包装代码	Digit 12 to 15	Lead form and packaging code
第16~18位	内部特征码	Digit 16 to 18	Internal use

■ Table 1 引线加工和包装代码 lead form and packaging code

第 12 位 Digit 12		第 13 位 Digit 13		第 14 位 Digit 14		第 15 位 Digit 15	
代码 Code	说明 explanation	代码 Code	说明 explanation	代码 Code	说明 explanation	代码 Code	说明 explanation
A	弹带包装 ammo-pack	3	F=7.5mm	0	表示直脚 straight	1	产品在连续的两个载带孔之间 each cap. among two consecutive holes P3=12.7mm,H=18.5mm (For pitch=7.5mm)
		4 6	F=10.0mm F=15.0mm			5	P3=25.4mm;H=18.5mm (For pitch=10/15mm) (Detail parameter refer to pag 17)
C	直脚 straight lead “C” in the figure above	代码 Code	说明 explanation			0	引线长度偏差 ± 0.5mm 或标准长度 Length tolerance ± 0.5mm Or standard length
		00	标准的引线长度 (18mm~26mm) standard lead length				
		45	引线长度 4.5mm lead length 4.5mm				



■ 外形尺寸 Dimensions (mm)

250Vdc(180Vac)						
C _N (μF)	W	H	T	P	d	Part number
0.0068	10.5	9.0	4.0	7.5	0.6	C822E682-30****++
0.0082	10.5	9.0	4.0	7.5	0.6	C822E822-30****++
0.010	10.5	9.0	4.0	7.5	0.6	C822E103-30****++
0.012	10.5	9.0	4.0	7.5	0.6	C822E123-30****++
0.015	10.5	9.0	4.0	7.5	0.6	C822E153-30****++
0.018	10.5	9.0	4.0	7.5	0.6	C822E183-30****++
0.022	10.5	9.0	4.0	7.5	0.6	C822E223-30****++
0.027	10.5	11.0	5.0	7.5	0.6	C822E273-30****++
0.033	10.5	11.0	5.0	7.5	0.6	C822E333-30****++
0.039	10.5	12.0	6.0	7.5	0.6	C822E393-30****++
0.047	10.5	12.0	6.0	7.5	0.6	C822E473-30****++
0.027	13.0	9.0	4.0	10.0	0.6	C822E273-40****++
0.033	13.0	9.0	4.0	10.0	0.6	C822E333-40****++
0.039	13.0	9.0	4.0	10.0	0.6	C822E393-40****++
0.047	13.0	11.0	5.0	10.0	0.6	C822E473-40****++
0.056	13.0	11.0	5.0	10.0	0.6	C822E563-40****++
0.068	13.0	12.0	6.0	10.0	0.6	C822E683-40****++
0.082	13.0	12.0	6.0	10.0	0.6	C822E823-40****++
0.068	17.5	11.0	5.0	15.0	0.8	C822E683-60****++
0.082	17.5	11.0	5.0	15.0	0.8	C822E823-60****++
0.10	17.5	11.0	5.0	15.0	0.8	C822E104-60****++
0.12	17.5	12.0	6.0	15.0	0.8	C822E124-60****++
0.15	17.5	12.0	6.0	15.0	0.8	C822E154-60****++
0.18	17.5	13.5	7.5	15.0	0.8	C822E184-60****++
0.22	17.5	13.5	7.5	15.0	0.8	C822E224-60****++
0.27	17.5	14.5	8.5	15.0	0.8	C822E274-60****++
0.33	17.5	16.0	10.0	15.0	0.8	C822E334-60****++
0.39	17.5	16.0	10.0	15.0	0.8	C822E394-60****++
0.22	26.5	15.0	6.0	22.5	0.8	C822E224-90****++
0.27	26.5	15.0	6.0	22.5	0.8	C822E274-90****++
0.33	26.5	15.0	6.0	22.5	0.8	C822E334-90****++
0.39	26.5	16.0	7.0	22.5	0.8	C822E394-90****++
0.47	26.5	16.0	7.0	22.5	0.8	C822E474-90****++
0.56	26.5	17.0	8.5	22.5	0.8	C822E564-90****++
0.68	26.5	18.5	10.0	22.5	0.8	C822E684-90****++
0.82	26.5	18.5	10.0	22.5	0.8	C822E824-90****++
1.0	26.5	22.0	12.0	22.5	0.8	C822E105-90****++
0.82	32.0	18.0	9.0	27.5	0.8	C822E824-B0****++
1.0	32.0	20.0	11.0	27.5	0.8	C822E105-B0****++
1.2	32.0	20.0	11.0	27.5	0.8	C822E125-B0****++
1.5	32.0	22.0	13.0	27.5	0.8	C822E155-B0****++
1.8	32.0	24.5	15.0	27.5	0.8	C822E185-B0****++
2.2	32.0	24.5	15.0	27.5	0.8	C822E225-B0****++
2.7	32.0	33.0	18.0	27.5	0.8	C822E275-B0****++
3.3	32.0	33.0	18.0	27.5	0.8	C822E335-B0****++
3.9	32.0	33.0	18.0	27.5	0.8	C822E395-B0****++

400Vdc(250Vac) [@]						
C _N (μF)	W	H	T	P	d	Part number
0.0027	10.5	9.0	4.0	7.5	0.6	C822G272-30****++
0.0033	10.5	9.0	4.0	7.5	0.6	C822G332-30****++
0.0039	10.5	9.0	4.0	7.5	0.6	C822G392-30****++
0.0047	10.5	9.0	4.0	7.5	0.6	C822G472-30****++
0.0056	10.5	9.0	4.0	7.5	0.6	C822G562-30****++
0.0068	10.5	9.0	4.0	7.5	0.6	C822G682-30****++
0.0082	10.5	9.0	4.0	7.5	0.6	C822G822-30****++
0.010	10.5	9.0	4.0	7.5	0.6	C822G103-30****++
0.012	10.5	9.0	4.0	7.5	0.6	C822G123-30****++
0.015	10.5	11.0	5.0	7.5	0.6	C822G153-30****++
0.018	10.5	11.0	5.0	7.5	0.6	C822G183-30****++
0.022	10.5	12.0	6.0	7.5	0.6	C822G223-30****++
0.027	10.5	12.0	6.0	7.5	0.6	C822G273-30****++
0.010	13.0	9.0	4.0	10.0	0.6	C822G103-40****++
0.012	13.0	9.0	4.0	10.0	0.6	C822G123-40****++
0.015	13.0	9.0	4.0	10.0	0.6	C822G153-40****++
0.018	13.0	9.0	4.0	10.0	0.6	C822G183-40****++
0.022	13.0	9.0	4.0	10.0	0.6	C822G223-40****++
0.027	13.0	11.0	5.0	10.0	0.6	C822G273-40****++
0.033	13.0	11.0	5.0	10.0	0.6	C822G333-40****++
0.039	13.0	12.0	6.0	10.0	0.6	C822G393-40****++
0.047	13.0	12.0	6.0	10.0	0.6	C822G473-40****++
0.033	17.5	11.0	5.0	15.0	0.8	C822G333-60****++
0.039	17.5	11.0	5.0	15.0	0.8	C822G393-60****++
0.047	17.5	11.0	5.0	15.0	0.8	C822G473-60****++
0.056	17.5	11.0	5.0	15.0	0.8	C822G563-60****++
0.068	17.5	12.0	6.0	15.0	0.8	C822G683-60****++
0.082	17.5	12.0	6.0	15.0	0.8	C822G823-60****++
0.10	17.5	13.5	7.5	15.0	0.8	C822G104-60****++
0.12	17.5	13.5	7.5	15.0	0.8	C822G124-60****++
0.15	17.5	14.5	8.5	15.0	0.8	C822G154-60****++
0.18	17.5	16.0	10.0	15.0	0.8	C822G184-60****++
0.22	17.5	16.0	10.0	15.0	0.8	C822G224-60****++
0.27	17.5	19.0	11.0	15.0	0.8	C822G274-60****++
0.12	26.5	15.0	6.0	22.5	0.8	C822G124-90****++
0.15	26.5	15.0	6.0	22.5	0.8	C822G154-90****++
0.18	26.5	15.0	6.0	22.5	0.8	C822G184-90****++
0.22	26.5	16.0	7.0	22.5	0.8	C822G224-90****++
0.27	26.5	17.0	8.5	22.5	0.8	C822G274-90****++
0.33	26.5	17.0	8.5	22.5	0.8	C822G334-90****++
0.39	26.5	18.5	10.0	22.5	0.8	C822G394-90****++
0.47	26.5	18.5	10.0	22.5	0.8	C822G474-90****++
0.56	26.5	22.0	12.0	22.5	0.8	C822G564-90****++
0.68	26.5	22.0	12.0	22.5	0.8	C822G684-90****++
0.39	32.0	18.0	9.0	27.5	0.8	C822G394-B0****++
0.47	32.0	18.0	9.0	27.5	0.8	C822G474-B0****++
0.56	32.0	20.0	11.0	27.5	0.8	C822G564-B0****++
0.68	32.0	20.0	11.0	27.5	0.8	C822G684-B0****++
0.82	32.0	22.0	13.0	27.5	0.8	C822G824-B0****++
1.0	32.0	24.5	15.0	27.5	0.8	C822G105-B0****++
1.2	32.0	24.5	15.0	27.5	0.8	C822G125-B0****++
1.5	32.0	33.0	18.0	27.5	0.8	C822G155-B0****++
1.8	32.0	33.0	18.0	27.5	0.8	C822G185-B0****++

备注: 1. “-”表示容量偏差。“-”=capacitance tolerance code, M=±20%,K=±10%,J=±5%,H=±3%,G=±2%
 2. “****”表示引线加工和包装代码(见表1)。“****”=lead form and packing code (refer to table 1)
 3. “@”不用作跨线,请参见抗干扰电容器(Pag.109)
 “@” Not suitable for across-the-line applications. Pls refer to Interference Suppression Capacitors(Pag.109)

■ 外形尺寸 Dimensions (mm)

630Vdc(400Vac)						
C _N (μF)	W	H	T	P	d	Part number
0.00068	10.5	9.0	4.0	7.5	0.6	C822J681-30****+++
0.00082	10.5	9.0	4.0	7.5	0.6	C822J821-30****+++
0.0010	10.5	9.0	4.0	7.5	0.6	C822J102-30****+++
0.0012	10.5	9.0	4.0	7.5	0.6	C822J122-30****+++
0.0015	10.5	9.0	4.0	7.5	0.6	C822J152-30****+++
0.0018	10.5	9.0	4.0	7.5	0.6	C822J182-30****+++
0.0022	10.5	9.0	4.0	7.5	0.6	C822J222-30****+++
0.0027	10.5	9.0	4.0	7.5	0.6	C822J272-30****+++
0.0033	10.5	9.0	4.0	7.5	0.6	C822J332-30****+++
0.0039	10.5	9.0	4.0	7.5	0.6	C822J392-30****+++
0.0047	10.5	9.0	4.0	7.5	0.6	C822J472-30****+++
0.0056	10.5	9.0	4.0	7.5	0.6	C822J562-30****+++
0.0068	10.5	11.0	5.0	7.5	0.6	C822J682-30****+++
0.0082	10.5	11.0	5.0	7.5	0.6	C822J822-30****+++
0.010	10.5	12.0	6.0	7.5	0.6	C822J103-30****+++
0.012	10.5	12.0	6.0	7.5	0.6	C822J123-30****+++
0.0039	13.0	9.0	4.0	10.0	0.6	C822J392-40****+++
0.0047	13.0	9.0	4.0	10.0	0.6	C822J472-40****+++
0.0056	13.0	9.0	4.0	10.0	0.6	C822J562-40****+++
0.0068	13.0	9.0	4.0	10.0	0.6	C822J682-40****+++
0.0082	13.0	9.0	4.0	10.0	0.6	C822J822-40****+++
0.010	13.0	11.0	5.0	10.0	0.6	C822J103-40****+++
0.012	13.0	11.0	5.0	10.0	0.6	C822J123-40****+++
0.015	13.0	12.0	6.0	10.0	0.6	C822J153-40****+++
0.018	13.0	12.0	6.0	10.0	0.6	C822J183-40****+++
0.010	17.5	11.0	5.0	15.0	0.8	C822J103-60****+++
0.012	17.5	11.0	5.0	15.0	0.8	C822J123-60****+++
0.015	17.5	11.0	5.0	15.0	0.8	C822J153-60****+++
0.018	17.5	11.0	5.0	15.0	0.8	C822J183-60****+++
0.022	17.5	11.0	5.0	15.0	0.8	C822J223-60****+++
0.027	17.5	11.0	5.0	15.0	0.8	C822J273-60****+++
0.033	17.5	12.0	6.0	15.0	0.8	C822J333-60****+++

630Vdc(400Vac)						
C _N (μF)	W	H	T	P	d	Part number
0.039	17.5	12.0	6.0	15.0	0.8	C822J393-60****+++
0.047	17.5	12.0	6.0	15.0	0.8	C822J473-60****+++
0.056	17.5	13.5	7.5	15.0	0.8	C822J563-60****+++
0.068	17.5	14.5	8.5	15.0	0.8	C822J683-60****+++
0.082	17.5	14.5	8.5	15.0	0.8	C822J823-60****+++
0.10	17.5	16.0	10.0	15.0	0.8	C822J104-60****+++
0.12	17.5	19.0	11.0	15.0	0.8	C822J124-60****+++
0.047	26.5	15.0	6.0	22.5	0.8	C822J473-90****+++
0.056	26.5	15.0	6.0	22.5	0.8	C822J563-90****+++
0.068	26.5	15.0	6.0	22.5	0.8	C822J683-90****+++
0.082	26.5	15.0	6.0	22.5	0.8	C822J823-90****+++
0.10	26.5	15.0	6.0	22.5	0.8	C822J104-90****+++
0.12	26.5	16.0	7.0	22.5	0.8	C822J124-90****+++
0.15	26.5	17.0	8.5	22.5	0.8	C822J154-90****+++
0.18	26.5	17.0	8.5	22.5	0.8	C822J184-90****+++
0.22	26.5	18.5	10.0	22.5	0.8	C822J224-90****+++
0.27	26.5	22.0	12.0	22.5	0.8	C822J274-90****+++
0.33	26.5	22.0	12.0	22.5	0.8	C822J334-90****+++
0.39	26.5	22.0	12.0	22.5	0.8	C822J394-90****+++
0.15	32.0	18.0	9.0	27.5	0.8	C822J154-B0****+++
0.18	32.0	18.0	9.0	27.5	0.8	C822J184-B0****+++
0.22	32.0	18.0	9.0	27.5	0.8	C822J224-B0****+++
0.27	32.0	18.0	9.0	27.5	0.8	C822J274-B0****+++
0.33	32.0	20.0	11.0	27.5	0.8	C822J334-B0****+++
0.39	32.0	20.0	11.0	27.5	0.8	C822J394-B0****+++
0.47	32.0	22.0	13.0	27.5	0.8	C822J474-B0****+++
0.56	32.0	22.0	13.0	27.5	0.8	C822J564-B0****+++
0.68	32.0	24.5	15.0	27.5	0.8	C822J684-B0****+++
0.82	32.0	28.0	14.0	27.5	0.8	C822J824-B0****+++
1.0	32.0	33.0	18.0	27.5	0.8	C822J105-B0****+++
1.2	32.0	33.0	18.0	27.5	0.8	C822J125-B0****+++

备注: 1. “-”表示容量偏差。 “-”=capacitance tolerance code, M=±20%,K=±10%,J=±5%,H=±3%,G=±2%
2. “****”表示引线加工和包装代码(见table 1)。“****”=lead form and packing code(refer to table 1)

X-ON Electronics

Largest Supplier of Electrical and Electronic Components

Click to view similar products for [Film Capacitors](#) category:

Click to view products by [FARATRONIC](#) manufacturer:

Other Similar products are found below :

[M83421/01-3089R](#) [703-6G](#) [F450KG153J250ALH0J](#) [750-1018](#) [FKP1-1000160010P15](#) [FKP1-1500160010P15](#) [82EC1100DQ50K](#)
[MMWAF150KME](#) [PCY2130F30153](#) [PME261JB5220KR19T0](#) [A521HH333M035C](#) [QXJ2E474KTPT](#) [QXL2B333KTPT](#) [QXM2G104K](#)
[B32234-.033@250V-K](#) [B32520C6332K000](#) [B32522C6104K000](#) [B32523Q3155J](#) [B32676E6755K](#) [B81133-C1104-M3](#) [MTC355L1](#) [217-0716-001](#) [PA225L30](#) [221A10-120](#) [CB182K0184J--](#) [KP1830-247/061-G](#) [SCD105K122A3-22](#) [SCD205K122A3-24](#) [F601BL225K063CL60A](#)
[PCX2339F65224](#) [PCX2339F65334](#) [2222 368 55105](#) [2222 370 21683](#) [QXL2E473KTPT](#) [445450-1](#) [B32524Q6155J](#) [46KI3100JBM1K](#) [MKP](#)
[1839-215-633](#) [MKP 1840-447-165](#) [MKP383510063JKP2T0](#) [MKT182022263473](#) [WMC08P22](#) [YE333](#) [ECQ-W4223KZ](#) [EEC2G805HQA415](#)
[PA103L30](#) [82DC3100DQ50J](#) [82EC2150DQ50K](#) [WMF1D68](#) [PHE841ED6150MR17T0](#)