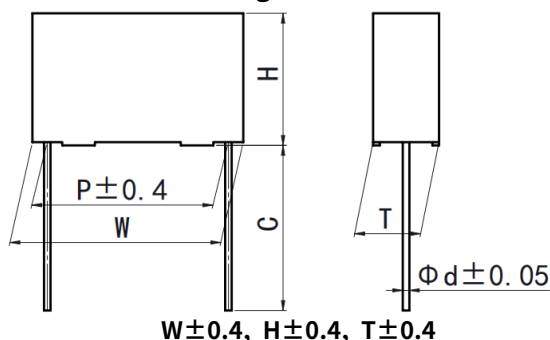


**C82**  
MMKP82 series

## 塑料外壳双面金属化聚丙烯膜电容器 Double sided metallized polypropylene film capacitor (Box-type)

### 外形图 Outline Drawing



### 特点

- 双面金属化聚丙烯膜
- 损耗小，内部温升小
- 负电容量温度系数
- 优异的阻燃性能

### 主要用途

- 广泛应用于高压高频脉冲电路中
- 电子镇流器和节能灯中
- 吸收和 SCR 整流电路

### Features

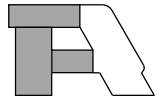
- Doublesided metallized polypropylene film
- Low loss and small inherent temperature rise
- Negative temperature coefficient of capacitance
- Excellent active and passive flame resistant abilities

### Typical Applications

- Widely used in high voltage, high frequency and pulse circuit
- Electronic ballasts and compact lamps
- SNUBBER and SCR commutating circuits

### 技术要求 Specifications

|  |   |             |        |        |        |        |
|--|---|-------------|--------|--------|--------|--------|
| 引用标准 Reference Standard  | GB/T 10190 (IEC 60384-16)   |             |        |        |        |        |
| 气候类别 Climatic Category   | 40/105/56   |             |        |        |        |        |
| 额定温度 Rated Temperature   | 85°C for $U_R$ (dc); 75°C for $U_R$ (ac)  |             |        |        |        |        |
| 工作温度 Operating Temperature Range   | -40°C~105°C<br>(+85°C to +105°C: decreasing factor 1.25% per °C for $U_R$ (dc))<br>(+75°C to +105°C: decreasing factor 1.35% per °C for $U_R$ (ac)) |             |        |        |        |        |
| 额定电压 Rated Voltage   | 250V, 400V, 630V, 1 000V, 1 600V, 2 000V  |             |        |        |        |        |
| 电容量范围 Capacitance Range  | 0.00022μF~3.9μF   |             |        |        |        |        |
| 电容量偏差 Capacitance Tolerance  | ±2%(G), ±3%(H), ±5%(J), ±10%(K), ±20%(M)  |             |        |        |        |        |
| 耐电压 Voltage Proof  | 1.6 $U_R$ (5s)  |             |        |        |        |        |
| 损耗角正切 Dissipation Factor   | ≤10×10 <sup>-4</sup> (20°C, 1kHz)   |             |        |        |        |        |
| 绝缘电阻 Insulation Resistance   | R≥100 000MΩ, $C_N$ ≤0.33μF<br>RC <sub>N</sub> ≥30 000s, $C_N$ >0.33μF (20°C, 100V, 1min)  |             |        |        |        |        |
| 最大脉冲爬升速率 Maximum Pulse Rise Time(dV/dt):若实际工作电压 U 比额定电压 $U_R$ 低, 电容器可工作在更高的 dV/dt 场合, 这样 dV/dt 允许值应为右表值乘以 $U_R/U$ 。<br>If the working voltage(U) is lower than the rated voltage( $U_R$ ),the capacitor can be worked at a higher dV/dt. In this case, the maximum allowed dV/dt is obtain by multiplying the right value with $U_R/U$ . | $U_R$ (V)   | dV/dt(V/μs) |        |        |        |        |
|  |   | P=7.5       | P=10.0 | P=15.0 | P=22.5 | P=27.5 |
|  | 250   | 1200        | 1000   | 550    | 250    | 200    |
|  | 400   | 1800        | 1500   | 900    | 500    | 300    |
|  | 630   | 3200        | 3200   | 2500   | 1500   | 900    |
|  | 1000  | 6000        | 6000   | 3300   | 2100   | 1000   |
| 1600   | -   | -           | 6000   | 3000   | 2000   |        |
| 2000   | -   | -           | 10000  | 5000   | 2200   |        |



■ 产品编码说明 Part number system

■ 15 位产品代码如下：

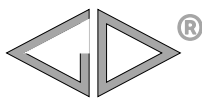
The 15 digits part number is formed as follow:

|   |   |   |   |   |   |   |   |   |    |    |    |    |    |    |
|---|---|---|---|---|---|---|---|---|----|----|----|----|----|----|
| 1 | 2 | 3 | 4 | 5 | 6 | 7 | 8 | 9 | 10 | 11 | 12 | 13 | 14 | 15 |
| C | 8 | 2 |   |   |   |   |   |   |    |    |    |    |    |    |

|           |                                     |                |   |
|-----------|-------------------------------------|----------------|---|
| 第 1~3 位   | 型号代码                                | Digit 1 to 3   | Series code                                   |
|           | C82= MMKP82                         |                | C82= MMKP82                                   |
| 第 4~5 位   | 直流额定电压                              | Digit 4 to 5   | D.C. rated voltage                            |
|           | 2E=250V 2G=400V 2J=630V             |                | 2E=250V 2G=400V 2J=630V                       |
|           | 3A=1000V 3C=1600V 3D=2000V          |                | 3A=1000V 3C=1600V 3D=2000V                    |
| 第 6~8 位   | 标称容量                                | Digit 6 to 8   | Rated capacitance value                       |
|           | 举例:103=10×10 <sup>3</sup> pF=0.01μF |                | for example: 103=10×10 <sup>3</sup> pF=0.01μF |
| 第 9 位     | 容量偏差                                | Digit 9        | Capacitance tolerance                         |
|           | G=±2%, H=±3%, J=±5%                 |                | G=±2%, H=±3%, J=±5%                           |
|           | K=±10%, M=±20%                      |                | K=±10%, M=±20%                                |
| 第 10 位    | 引线脚距 P                              | Digit 10       | Pitch   |
|           | 3=7.5mm 4=10.0mm 6=15.0mm           |                | 3=7.5mm 4=10.0mm 6=15.0mm                     |
|           | 9=22.5mm B=27.5mm                   |                | 9=22.5mm B=27.5mm                             |
| 第 11 位    | 内部特征码                               | Digit 11       | Internal use                                  |
| 第 12~15 位 | 引线加工和包装代码                           | Digit 12 to 15 | Lead form and packaging code                  |

■ Table 1 引线加工和包装代码 lead form and packaging code

| 第 12 位 Digit 12 |   | 第 13 位 Digit 13 |  | 第 14 位 Digit 14 |                  | 第 15 位 Digit 15 |   |
|-----------------|---|-----------------|--|-----------------|------------------|-----------------|---|
| 代码 Code         | 说明 explanation                                    | 代码 Code         | 说明 explanation                             | 代码 Code         | 说明 explanation   | 代码 Code         | 说明 explanation  |
| A               | 弹带包装<br>ammo-pack                                 | 3               | F=7.5mm                                    | 0               | 表示直脚<br>straight | 1               | 产品在连续的两个载带孔之间<br>each cap. among two consecutive holes<br>P3=12.7mm, H=18.5mm (For pitch=7.5mm) |
|                 |   | 4               | F=10.0mm                                   |                 |                  | 5               | P3=25.4mm; H=18.5mm (For pitch=10/15mm)<br>(Detail parameter refer to page 16)                  |
|                 |   | 6               | F=15.0mm                                   |                 |                  |                 |   |
| C               | 直脚<br>straight lead<br>“C” in the<br>figure above | 代码 Code         | 说明 explanation                             | 0               |                  | 0               | 引线长度偏差 ±0.5mm<br>Length tolerance ±0.5mm  |
|                 |   | 00              | 标准的引线长度(18mm~26mm)<br>standard lead length |                 |                  |                 |   |
|                 |   | 45              | 引线长度 4.5mm<br>lead length 4.5mm            |                 |                  |                 |   |



# C82

## MMKP82 series

### ■ 外形尺寸 Dimensions(mm)

| 250Vdc (180Vac)        |      |      |      |      |     |                 |
|------------------------|------|------|------|------|-----|-----------------|
| C <sub>N</sub><br>(μF) | W    | H    | T    | P    | d   | Part number     |
| 0.0068                 | 10.5 | 9.0  | 4.0  | 7.5  | 0.6 | C822E682-30**** |
| 0.0082                 | 10.5 | 9.0  | 4.0  | 7.5  | 0.6 | C822E822-30**** |
| 0.010                  | 10.5 | 9.0  | 4.0  | 7.5  | 0.6 | C822E103-30**** |
| 0.012                  | 10.5 | 9.0  | 4.0  | 7.5  | 0.6 | C822E123-30**** |
| 0.015                  | 10.5 | 9.0  | 4.0  | 7.5  | 0.6 | C822E153-30**** |
| 0.018                  | 10.5 | 9.0  | 4.0  | 7.5  | 0.6 | C822E183-30**** |
| 0.022                  | 10.5 | 9.0  | 4.0  | 7.5  | 0.6 | C822E223-30**** |
| 0.027                  | 10.5 | 11.0 | 5.0  | 7.5  | 0.6 | C822E273-30**** |
| 0.033                  | 10.5 | 11.0 | 5.0  | 7.5  | 0.6 | C822E333-30**** |
| 0.039                  | 10.5 | 12.0 | 6.0  | 7.5  | 0.6 | C822E393-30**** |
| 0.047                  | 10.5 | 12.0 | 6.0  | 7.5  | 0.6 | C822E473-30**** |
| 0.027                  | 13.0 | 9.0  | 4.0  | 10.0 | 0.6 | C822E273-40**** |
| 0.033                  | 13.0 | 9.0  | 4.0  | 10.0 | 0.6 | C822E333-40**** |
| 0.039                  | 13.0 | 9.0  | 4.0  | 10.0 | 0.6 | C822E393-40**** |
| 0.047                  | 13.0 | 11.0 | 5.0  | 10.0 | 0.6 | C822E473-40**** |
| 0.056                  | 13.0 | 11.0 | 5.0  | 10.0 | 0.6 | C822E563-40**** |
| 0.068                  | 13.0 | 12.0 | 6.0  | 10.0 | 0.6 | C822E683-40**** |
| 0.082                  | 13.0 | 12.0 | 6.0  | 10.0 | 0.6 | C822E823-40**** |
| 0.068                  | 17.5 | 11.0 | 5.0  | 15.0 | 0.8 | C822E683-60**** |
| 0.082                  | 17.5 | 11.0 | 5.0  | 15.0 | 0.8 | C822E823-60**** |
| 0.10                   | 17.5 | 11.0 | 5.0  | 15.0 | 0.8 | C822E104-60**** |
| 0.12                   | 17.5 | 12.0 | 6.0  | 15.0 | 0.8 | C822E124-60**** |
| 0.15                   | 17.5 | 12.0 | 6.0  | 15.0 | 0.8 | C822E154-60**** |
| 0.18                   | 17.5 | 13.5 | 7.5  | 15.0 | 0.8 | C822E184-60**** |
| 0.22                   | 17.5 | 13.5 | 7.5  | 15.0 | 0.8 | C822E224-60**** |
| 0.27                   | 17.5 | 14.5 | 8.5  | 15.0 | 0.8 | C822E274-60**** |
| 0.33                   | 17.5 | 16.0 | 10.0 | 15.0 | 0.8 | C822E334-60**** |
| 0.39                   | 17.5 | 16.0 | 10.0 | 15.0 | 0.8 | C822E394-60**** |
| 0.22                   | 26.5 | 15.0 | 6.0  | 22.5 | 0.8 | C822E224-90**** |
| 0.27                   | 26.5 | 15.0 | 6.0  | 22.5 | 0.8 | C822E274-90**** |
| 0.33                   | 26.5 | 15.0 | 6.0  | 22.5 | 0.8 | C822E334-90**** |
| 0.39                   | 26.5 | 16.0 | 7.0  | 22.5 | 0.8 | C822E394-90**** |
| 0.47                   | 26.5 | 16.0 | 7.0  | 22.5 | 0.8 | C822E474-90**** |
| 0.56                   | 26.5 | 17.0 | 8.5  | 22.5 | 0.8 | C822E564-90**** |
| 0.68                   | 26.5 | 18.5 | 10.0 | 22.5 | 0.8 | C822E684-90**** |
| 0.82                   | 26.5 | 18.5 | 10.0 | 22.5 | 0.8 | C822E824-90**** |
| 1.0                    | 26.5 | 22.0 | 12.0 | 22.5 | 0.8 | C822E105-90**** |
| 0.82                   | 32.0 | 18.0 | 9.0  | 27.5 | 0.8 | C822E824-B0**** |
| 1.0                    | 32.0 | 20.0 | 11.0 | 27.5 | 0.8 | C822E105-B0**** |
| 1.2                    | 32.0 | 20.0 | 11.0 | 27.5 | 0.8 | C822E125-B0**** |
| 1.5                    | 32.0 | 22.0 | 13.0 | 27.5 | 0.8 | C822E155-B0**** |
| 1.8                    | 32.0 | 24.5 | 15.0 | 27.5 | 0.8 | C822E185-B0**** |
| 2.2                    | 32.0 | 24.5 | 15.0 | 27.5 | 0.8 | C822E225-B0**** |
| 2.7                    | 32.0 | 33.0 | 18.0 | 27.5 | 0.8 | C822E275-B0**** |
| 3.3                    | 32.0 | 33.0 | 18.0 | 27.5 | 0.8 | C822E335-B0**** |
| 3.9                    | 32.0 | 33.0 | 18.0 | 27.5 | 0.8 | C822E395-B0**** |

| 400Vdc (250Vac) <sup>@</sup> |      |      |      |       |     |                 |
|------------------------------|------|------|------|-------|-----|-----------------|
| C <sub>N</sub><br>(μF)       | W    | H    | T    | P     | d   | Part number     |
| 0.0027                       | 10.5 | 9.0  | 4.0  | 7.5   | 0.6 | C822G272-30**** |
| 0.0033                       | 10.5 | 9.0  | 4.0  | 7.5   | 0.6 | C822G332-30**** |
| 0.0039                       | 10.5 | 9.0  | 4.0  | 7.5   | 0.6 | C822G392-30**** |
| 0.0047                       | 10.5 | 9.0  | 4.0  | 7.5   | 0.6 | C822G472-30**** |
| 0.0056                       | 10.5 | 9.0  | 4.0  | 7.5   | 0.6 | C822G562-30**** |
| 0.0068                       | 10.5 | 9.0  | 4.0  | 7.5   | 0.6 | C822G682-30**** |
| 0.0082                       | 10.5 | 9.0  | 4.0  | 7.5   | 0.6 | C822G822-30**** |
| 0.010                        | 10.5 | 9.0  | 4.0  | 7.5   | 0.6 | C822G103-30**** |
| 0.012                        | 10.5 | 9.0  | 4.0  | 7.5   | 0.6 | C822G123-30**** |
| 0.015                        | 10.5 | 11.0 | 5.0  | 7.5   | 0.6 | C822G153-30**** |
| 0.018                        | 10.5 | 11.0 | 5.0  | 7.5   | 0.6 | C822G183-30**** |
| 0.022                        | 10.5 | 12.0 | 6.0  | 7.5   | 0.6 | C822G223-30**** |
| 0.027                        | 10.5 | 12.0 | 6.0  | 7.5   | 0.6 | C822G273-30**** |
| 0.010                        | 13.0 | 9.0  | 4.0  | 10.0  | 0.6 | C822G103-40**** |
| 0.012                        | 13.0 | 9.0  | 4.0  | 10.0  | 0.6 | C822G123-40**** |
| 0.015                        | 13.0 | 9.0  | 4.0  | 10.0  | 0.6 | C822G153-40**** |
| 0.018                        | 13.0 | 9.0  | 4.0  | 10.0  | 0.6 | C822G183-40**** |
| 0.022                        | 13.0 | 9.0  | 4.0  | 10.0  | 0.6 | C822G223-40**** |
| 0.027                        | 13.0 | 11.0 | 5.0  | 10.0  | 0.6 | C822G273-40**** |
| 0.033                        | 13.0 | 11.0 | 5.0  | 10.0  | 0.6 | C822G333-40**** |
| 0.039                        | 13.0 | 12.0 | 6.0  | 10.0  | 0.6 | C822G393-40**** |
| 0.047                        | 13.0 | 12.0 | 6.0  | 10.0  | 0.6 | C822G473-40**** |
| 0.033                        | 17.5 | 11.0 | 5.0  | 15.0  | 0.8 | C822G333-60**** |
| 0.039                        | 17.5 | 11.0 | 5.0  | 15.0  | 0.8 | C822G393-60**** |
| 0.047                        | 17.5 | 11.0 | 5.0  | 15.0  | 0.8 | C822G473-60**** |
| 0.056                        | 17.5 | 11.0 | 5.0  | 15.0  | 0.8 | C822G563-60**** |
| 0.068                        | 17.5 | 12.0 | 6.0  | 15.0  | 0.8 | C822G683-60**** |
| 0.082                        | 17.5 | 12.0 | 6.0  | 15.0  | 0.8 | C822G823-60**** |
| 0.10                         | 17.5 | 13.5 | 7.5  | 15.0  | 0.8 | C822G104-60**** |
| 0.12                         | 17.5 | 13.5 | 7.5  | 15.0  | 0.8 | C822G124-60**** |
| 0.15                         | 17.5 | 14.5 | 8.5  | 15.0  | 0.8 | C822G154-60**** |
| 0.18                         | 17.5 | 16.0 | 10.0 | 15.0  | 0.8 | C822G184-60**** |
| 0.22                         | 17.5 | 16.0 | 10.0 | 15.0  | 0.8 | C822G224-60**** |
| 0.27                         | 17.5 | 19.0 | 11.0 | 15.0  | 0.8 | C822G274-60**** |
| 0.12                         | 26.5 | 15.0 | 6.0  | 22.5  | 0.8 | C822G124-90**** |
| 0.15                         | 26.5 | 15.0 | 6.0  | 22.5  | 0.8 | C822G154-90**** |
| 0.18                         | 26.5 | 15.0 | 6.0  | 22.5  | 0.8 | C822G184-90**** |
| 0.22                         | 26.5 | 16.0 | 7.0  | 22.5  | 0.8 | C822G224-90**** |
| 0.27                         | 26.5 | 17.0 | 8.5  | 22.5  | 0.8 | C822G274-90**** |
| 0.33                         | 26.5 | 17.0 | 8.5  | 22.50 | 0.8 | C822G334-90**** |
| 0.39                         | 26.5 | 18.5 | 10.0 | 22.5  | 0.8 | C822G394-90**** |
| 0.47                         | 26.5 | 18.5 | 10.0 | 22.5  | 0.8 | C822G474-90**** |
| 0.56                         | 26.5 | 22.0 | 12.0 | 22.5  | 0.8 | C822G564-90**** |
| 0.68                         | 26.5 | 22.0 | 12.0 | 22.5  | 0.8 | C822G684-90**** |
| 0.39                         | 32.0 | 18.0 | 9.0  | 27.5  | 0.8 | C822G394-B0**** |
| 0.47                         | 32.0 | 18.0 | 9.0  | 27.5  | 0.8 | C822G474-B0**** |
| 0.56                         | 32.0 | 20.0 | 11.0 | 27.5  | 0.8 | C822G564-B0**** |
| 0.68                         | 32.0 | 20.0 | 11.0 | 27.5  | 0.8 | C822G684-B0**** |
| 0.82                         | 32.0 | 22.0 | 13.0 | 27.5  | 0.8 | C822G824-B0**** |
| 1.0                          | 32.0 | 24.5 | 15.0 | 27.5  | 0.8 | C822G105-B0**** |
| 1.2                          | 32.0 | 24.5 | 15.0 | 27.5  | 0.8 | C822G125-B0**** |
| 1.5                          | 32.0 | 33.0 | 18.0 | 27.5  | 0.8 | C822G155-B0**** |
| 1.8                          | 32.0 | 33.0 | 18.0 | 27.5  | 0.8 | C822G185-B0**** |

备注 Note: 1. “-”表示容量偏差。 “.”=capacitance tolerance code. M=±20%, K=±10%, J=±5%, H=±3%, G=±2%。  
 2. “\*\*\*\*”表示引线加工和包装代码(见表1)。“\*\*\*\*”=lead form and packing code (refer to table 1).  
 3. “@”不用作跨线,请参见抗干扰电容器(Page 109).  
 “@” Not suitable for across-the-line application. Pls refer to Interference Suppression Capacitors(Page 109).



■ 外形尺寸 Dimensions(mm)

| 630Vdc (400Vac)        |      |      |     |      |     |                 |
|------------------------|------|------|-----|------|-----|-----------------|
| C <sub>N</sub><br>(μF) | W    | H    | T   | P    | d   | Part number     |
| 0.00068                | 10.5 | 9.0  | 4.0 | 7.5  | 0.6 | C822J681-30**** |
| 0.00082                | 10.5 | 9.0  | 4.0 | 7.5  | 0.6 | C822J821-30**** |
| 0.0010                 | 10.5 | 9.0  | 4.0 | 7.5  | 0.6 | C822J102-30**** |
| 0.0012                 | 10.5 | 9.0  | 4.0 | 7.5  | 0.6 | C822J122-30**** |
| 0.0015                 | 10.5 | 9.0  | 4.0 | 7.5  | 0.6 | C822J152-30**** |
| 0.0018                 | 10.5 | 9.0  | 4.0 | 7.5  | 0.6 | C822J182-30**** |
| 0.0022                 | 10.5 | 9.0  | 4.0 | 7.5  | 0.6 | C822J222-30**** |
| 0.0027                 | 10.5 | 9.0  | 4.0 | 7.5  | 0.6 | C822J272-30**** |
| 0.0033                 | 10.5 | 9.0  | 4.0 | 7.5  | 0.6 | C822J332-30**** |
| 0.0039                 | 10.5 | 9.0  | 4.0 | 7.5  | 0.6 | C822J392-30**** |
| 0.0047                 | 10.5 | 9.0  | 4.0 | 7.5  | 0.6 | C822J472-30**** |
| 0.0056                 | 10.5 | 9.0  | 4.0 | 7.5  | 0.6 | C822J562-30**** |
| 0.0068                 | 10.5 | 11.0 | 5.0 | 7.5  | 0.6 | C822J682-30**** |
| 0.0082                 | 10.5 | 11.0 | 5.0 | 7.5  | 0.6 | C822J822-30**** |
| 0.010                  | 10.5 | 12.0 | 6.0 | 7.5  | 0.6 | C822J103-30**** |
| 0.012                  | 10.5 | 12.0 | 6.0 | 7.5  | 0.6 | C822J123-30**** |
| 0.0039                 | 13.0 | 9.0  | 4.0 | 10.0 | 0.6 | C822J392-40**** |
| 0.0047                 | 13.0 | 9.0  | 4.0 | 10.0 | 0.6 | C822J472-40**** |
| 0.0056                 | 13.0 | 9.0  | 4.0 | 10.0 | 0.6 | C822J562-40**** |
| 0.0068                 | 13.0 | 9.0  | 4.0 | 10.0 | 0.6 | C822J682-40**** |
| 0.0082                 | 13.0 | 9.0  | 4.0 | 10.0 | 0.6 | C822J822-40**** |
| 0.010                  | 13.0 | 11.0 | 5.0 | 10.0 | 0.6 | C822J103-40**** |
| 0.012                  | 13.0 | 11.0 | 5.0 | 10.0 | 0.6 | C822J123-40**** |
| 0.015                  | 13.0 | 12.0 | 6.0 | 10.0 | 0.6 | C822J153-40**** |
| 0.018                  | 13.0 | 12.0 | 6.0 | 10.0 | 0.6 | C822J183-40**** |
| 0.010                  | 17.5 | 11.0 | 5.0 | 15.0 | 0.8 | C822J103-60**** |
| 0.012                  | 17.5 | 11.0 | 5.0 | 15.0 | 0.8 | C822J123-60**** |
| 0.015                  | 17.5 | 11.0 | 5.0 | 15.0 | 0.8 | C822J153-60**** |
| 0.018                  | 17.5 | 11.0 | 5.0 | 15.0 | 0.8 | C822J183-60**** |
| 0.022                  | 17.5 | 11.0 | 5.0 | 15.0 | 0.8 | C822J223-60**** |
| 0.027                  | 17.5 | 11.0 | 5.0 | 15.0 | 0.8 | C822J273-60**** |
| 0.033                  | 17.5 | 12.0 | 6.0 | 15.0 | 0.8 | C822J333-60**** |

| 630Vdc (400Vac)        |      |      |      |      |     |                 |
|------------------------|------|------|------|------|-----|-----------------|
| C <sub>N</sub><br>(μF) | W    | H    | T    | P    | d   | Part number     |
| 0.039                  | 17.5 | 12.0 | 6.0  | 15.0 | 0.8 | C822J393-60**** |
| 0.047                  | 17.5 | 12.0 | 6.0  | 15.0 | 0.8 | C822J473-60**** |
| 0.056                  | 17.5 | 13.5 | 7.5  | 15.0 | 0.8 | C822J563-60**** |
| 0.068                  | 17.5 | 14.5 | 8.5  | 15.0 | 0.8 | C822J683-60**** |
| 0.082                  | 17.5 | 14.5 | 8.5  | 15.0 | 0.8 | C822J823-60**** |
| 0.10                   | 17.5 | 16.0 | 10.0 | 15.0 | 0.8 | C822J104-60**** |
| 0.12                   | 17.5 | 19.0 | 11.0 | 15.0 | 0.8 | C822J124-60**** |
| 0.047                  | 26.5 | 15.0 | 6.0  | 22.5 | 0.8 | C822J473-90**** |
| 0.056                  | 26.5 | 15.0 | 6.0  | 22.5 | 0.8 | C822J563-90**** |
| 0.068                  | 26.5 | 15.0 | 6.0  | 22.5 | 0.8 | C822J683-90**** |
| 0.082                  | 26.5 | 15.0 | 6.0  | 22.5 | 0.8 | C822J823-90**** |
| 0.10                   | 26.5 | 15.0 | 6.0  | 22.5 | 0.8 | C822J104-90**** |
| 0.12                   | 26.5 | 16.0 | 7.0  | 22.5 | 0.8 | C822J124-90**** |
| 0.15                   | 26.5 | 17.0 | 8.5  | 22.5 | 0.8 | C822J154-90**** |
| 0.18                   | 26.5 | 17.0 | 8.5  | 22.5 | 0.8 | C822J184-90**** |
| 0.22                   | 26.5 | 18.5 | 10.0 | 22.5 | 0.8 | C822J224-90**** |
| 0.27                   | 26.5 | 22.0 | 12.0 | 22.5 | 0.8 | C822J274-90**** |
| 0.33                   | 26.5 | 22.0 | 12.0 | 22.5 | 0.8 | C822J334-90**** |
| 0.39                   | 26.5 | 22.0 | 12.0 | 22.5 | 0.8 | C822J394-90**** |
| 0.15                   | 32.0 | 18.0 | 9.0  | 27.5 | 0.8 | C822J154-B0**** |
| 0.18                   | 32.0 | 18.0 | 9.0  | 27.5 | 0.8 | C822J184-B0**** |
| 0.22                   | 32.0 | 18.0 | 9.0  | 27.5 | 0.8 | C822J224-B0**** |
| 0.27                   | 32.0 | 18.0 | 9.0  | 27.5 | 0.8 | C822J274-B0**** |
| 0.33                   | 32.0 | 20.0 | 11.0 | 27.5 | 0.8 | C822J334-B0**** |
| 0.39                   | 32.0 | 20.0 | 11.0 | 27.5 | 0.8 | C822J394-B0**** |
| 0.47                   | 32.0 | 22.0 | 13.0 | 27.5 | 0.8 | C822J474-B0**** |
| 0.56                   | 32.0 | 22.0 | 13.0 | 27.5 | 0.8 | C822J564-B0**** |
| 0.68                   | 32.0 | 24.5 | 15.0 | 27.5 | 0.8 | C822J684-B0**** |
| 0.82                   | 32.0 | 28.0 | 14.0 | 27.5 | 0.8 | C822J824-B0**** |
| 1.0                    | 32.0 | 33.0 | 18.0 | 27.5 | 0.8 | C822J105-B0**** |
| 1.2                    | 32.0 | 33.0 | 18.0 | 27.5 | 0.8 | C822J125-B0**** |

备注 Note: 1. “-”表示容量偏差。 “-”=capacitance tolerance code. M=±20%, K=±10%, J=±5%, H=±3%, G=±2%。  
2. “\*\*\*\*”表示引线加工和包装代码(见表1)。“\*\*\*\*”=lead form and packing code (refer to table 1).



## X-ON Electronics

Largest Supplier of Electrical and Electronic Components

*Click to view similar products for [Film Capacitors](#) category:*

*Click to view products by [FARATRONIC](#) manufacturer:*

Other Similar products are found below :

[703-6G](#) [82DC4100CK60J](#) [82EC1100DQ50K](#) [MMWAF150KME](#) [PCY2130F30153](#) [QXJ2E474KTPT](#) [QXL2B333KTPT](#) [QXM2G104K](#)  
[DPM16S56K-1F](#) [EEC2G505HQA406](#) [B32234-.033@250V-K](#) [B81133-C1104-M3](#) [MTC355L1](#) [217-0716-001](#) [PA225L30](#) [CB182K0184J--](#)  
[KP1830-247/061-G](#) [274ACF4400WA0J](#) [274ACF5150WA0J](#) [SCD105K122A3-22](#) [SCD205K122A3-24](#) [PCX2339F65224](#) [PCX2339F65334](#)  
[2222 368 55105](#) [2222 370 21683](#) [QXL2E473KTPT](#) [445450-1](#) [MKT182022263473](#) [WMC08P22](#) [46KN410000N1K](#) [46KR368050M1M](#) [ECQ-](#)  
[W4223KZ](#) [EEC2G805HQA415](#) [PA103L30](#) [82DC4100AA60K](#) [82EC2150DQ50K](#) [VEA105K50](#) [82IC2150DQ50J](#) [82EC2220DQ50J](#)  
[MTC55L4](#) [MTC56L4](#) [PA104L30](#) [PA224L30](#) [82DC3220AA60J](#) [82EC4100DQ70J](#) [WYP-104M](#) [82CC4220AA70J](#) [82EC3100Z370J](#)  
[B32656S8105K566](#) [EEC2G105HQA401](#)