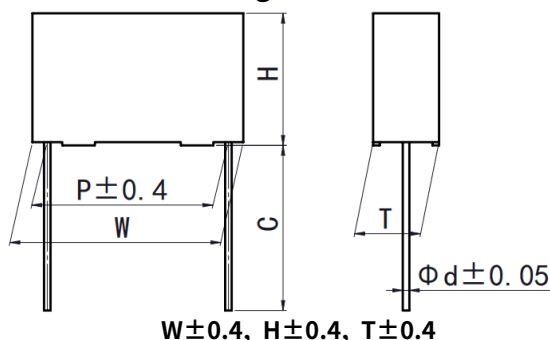


C82
MMKP82 series

塑料外壳双面金属化聚丙烯膜电容器 Double sided metallized polypropylene film capacitor (Box-type)

外形图 Outline Drawing



特点

- 双面金属化聚丙烯膜
- 损耗小，内部温升小
- 负电容量温度系数
- 优异的阻燃性能

主要用途

- 广泛应用于高压高频脉冲电路中
- 电子镇流器和节能灯中
- 吸收和 SCR 整流电路

Features

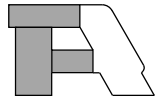
- Doublesided metallized polypropylene film
- Low loss and small inherent temperature rise
- Negative temperature coefficient of capacitance
- Excellent active and passive flame resistant abilities

Typical Applications

- Widely used in high voltage, high frequency and pulse circuit
- Electronic ballasts and compact lamps
- SNUBBER and SCR commutating circuits

技术要求 Specifications

引用标准 Reference Standard	GB/T 10190 (IEC 60384-16)					
气候类别 Climatic Category	40/105/56					
额定温度 Rated Temperature	85°C for U_R (dc); 75°C for U_R (ac)					
工作温度 Operating Temperature Range	-40°C~105°C (+85°C to +105°C: decreasing factor 1.25% per °C for U_R (dc)) (+75°C to +105°C: decreasing factor 1.35% per °C for U_R (ac))					
额定电压 Rated Voltage	250V, 400V, 630V, 1 000V, 1 600V, 2 000V					
电容量范围 Capacitance Range	0.00022μF~3.9μF					
电容量偏差 Capacitance Tolerance	±2%(G), ±3%(H), ±5%(J), ±10%(K), ±20%(M)					
耐电压 Voltage Proof	1.6 U_R (5s)					
损耗角正切 Dissipation Factor	≤10×10 ⁻⁴ (20°C, 1kHz)					
绝缘电阻 Insulation Resistance	R≥100 000MΩ, C_N ≤0.33μF RC _N ≥30 000s, C_N >0.33μF (20°C, 100V, 1min)					
最大脉冲爬升速率 Maximum Pulse Rise Time(dV/dt):若实际工作电压 U 比额定电压 U_R 低, 电容器可工作在更高的 dV/dt 场合, 这样 dV/dt 允许值应为右表值乘以 U_R/U 。 If the working voltage(U) is lower than the rated voltage(U_R),the capacitor can be worked at a higher dV/dt. In this case, the maximum allowed dV/dt is obtain by multiplying the right value with U_R/U .	U_R (V)	dV/dt(V/μs)				
		P=7.5	P=10.0	P=15.0	P=22.5	P=27.5
	250	1200	1000	550	250	200
	400	1800	1500	900	500	300
	630	3200	3200	2500	1500	900
	1000	6000	6000	3300	2100	1000
1600	-	-	6000	3000	2000	
2000	-	-	10000	5000	2200	



■ 产品编码说明 Part number system

■ 15 位产品代码如下：

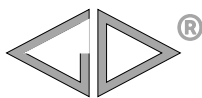
The 15 digits part number is formed as follow:

1	2	3	4	5	6	7	8	9	10	11	12	13	14	15
C	8	2												

第 1~3 位	型号代码	Digit 1 to 3	Series code
	C82= MMKP82		C82= MMKP82
第 4~5 位	直流额定电压	Digit 4 to 5	D.C. rated voltage
	2E=250V 2G=400V 2J=630V		2E=250V 2G=400V 2J=630V
	3A=1000V 3C=1600V 3D=2000V		3A=1000V 3C=1600V 3D=2000V
第 6~8 位	标称容量	Digit 6 to 8	Rated capacitance value
	举例:103=10×10 ³ pF=0.01μF		for example: 103=10×10 ³ pF=0.01μF
第 9 位	容量偏差	Digit 9	Capacitance tolerance
	G=±2%, H=±3%, J=±5%		G=±2%, H=±3%, J=±5%
	K=±10%, M=±20%		K=±10%, M=±20%
第 10 位	引线脚距 P	Digit 10	Pitch
	3=7.5mm 4=10.0mm 6=15.0mm		3=7.5mm 4=10.0mm 6=15.0mm
	9=22.5mm B=27.5mm		9=22.5mm B=27.5mm
第 11 位	内部特征码	Digit 11	Internal use
第 12~15 位	引线加工和包装代码	Digit 12 to 15	Lead form and packaging code

■ Table 1 引线加工和包装代码 lead form and packaging code

第 12 位 Digit 12		第 13 位 Digit 13		第 14 位 Digit 14		第 15 位 Digit 15	
代码 Code	说明 explanation	代码 Code	说明 explanation	代码 Code	说明 explanation	代码 Code	说明 explanation
A	弹带包装 ammo-pack	3	F=7.5mm	0	表示直脚 straight	1	产品在连续的两个载带孔之间 each cap. among two consecutive holes P3=12.7mm, H=18.5mm (For pitch=7.5mm)
		4	F=10.0mm			5	P3=25.4mm; H=18.5mm (For pitch=10/15mm) (Detail parameter refer to page 16)
		6	F=15.0mm				
C	直脚 straight lead “C” in the figure above	代码 Code	说明 explanation	0		0	引线长度偏差 ±0.5mm Length tolerance ±0.5mm
		00	标准的引线长度(18mm~26mm) standard lead length				
		45	引线长度 4.5mm lead length 4.5mm				



C82

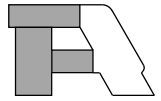
MMKP82 series

■ 外形尺寸 Dimensions(mm)

250Vdc (180Vac)						
C _N (μF)	W	H	T	P	d	Part number
0.0068	10.5	9.0	4.0	7.5	0.6	C822E682-30****
0.0082	10.5	9.0	4.0	7.5	0.6	C822E822-30****
0.010	10.5	9.0	4.0	7.5	0.6	C822E103-30****
0.012	10.5	9.0	4.0	7.5	0.6	C822E123-30****
0.015	10.5	9.0	4.0	7.5	0.6	C822E153-30****
0.018	10.5	9.0	4.0	7.5	0.6	C822E183-30****
0.022	10.5	9.0	4.0	7.5	0.6	C822E223-30****
0.027	10.5	11.0	5.0	7.5	0.6	C822E273-30****
0.033	10.5	11.0	5.0	7.5	0.6	C822E333-30****
0.039	10.5	12.0	6.0	7.5	0.6	C822E393-30****
0.047	10.5	12.0	6.0	7.5	0.6	C822E473-30****
0.027	13.0	9.0	4.0	10.0	0.6	C822E273-40****
0.033	13.0	9.0	4.0	10.0	0.6	C822E333-40****
0.039	13.0	9.0	4.0	10.0	0.6	C822E393-40****
0.047	13.0	11.0	5.0	10.0	0.6	C822E473-40****
0.056	13.0	11.0	5.0	10.0	0.6	C822E563-40****
0.068	13.0	12.0	6.0	10.0	0.6	C822E683-40****
0.082	13.0	12.0	6.0	10.0	0.6	C822E823-40****
0.068	17.5	11.0	5.0	15.0	0.8	C822E683-60****
0.082	17.5	11.0	5.0	15.0	0.8	C822E823-60****
0.10	17.5	11.0	5.0	15.0	0.8	C822E104-60****
0.12	17.5	12.0	6.0	15.0	0.8	C822E124-60****
0.15	17.5	12.0	6.0	15.0	0.8	C822E154-60****
0.18	17.5	13.5	7.5	15.0	0.8	C822E184-60****
0.22	17.5	13.5	7.5	15.0	0.8	C822E224-60****
0.27	17.5	14.5	8.5	15.0	0.8	C822E274-60****
0.33	17.5	16.0	10.0	15.0	0.8	C822E334-60****
0.39	17.5	16.0	10.0	15.0	0.8	C822E394-60****
0.22	26.5	15.0	6.0	22.5	0.8	C822E224-90****
0.27	26.5	15.0	6.0	22.5	0.8	C822E274-90****
0.33	26.5	15.0	6.0	22.5	0.8	C822E334-90****
0.39	26.5	16.0	7.0	22.5	0.8	C822E394-90****
0.47	26.5	16.0	7.0	22.5	0.8	C822E474-90****
0.56	26.5	17.0	8.5	22.5	0.8	C822E564-90****
0.68	26.5	18.5	10.0	22.5	0.8	C822E684-90****
0.82	26.5	18.5	10.0	22.5	0.8	C822E824-90****
1.0	26.5	22.0	12.0	22.5	0.8	C822E105-90****
0.82	32.0	18.0	9.0	27.5	0.8	C822E824-B0****
1.0	32.0	20.0	11.0	27.5	0.8	C822E105-B0****
1.2	32.0	20.0	11.0	27.5	0.8	C822E125-B0****
1.5	32.0	22.0	13.0	27.5	0.8	C822E155-B0****
1.8	32.0	24.5	15.0	27.5	0.8	C822E185-B0****
2.2	32.0	24.5	15.0	27.5	0.8	C822E225-B0****
2.7	32.0	33.0	18.0	27.5	0.8	C822E275-B0****
3.3	32.0	33.0	18.0	27.5	0.8	C822E335-B0****
3.9	32.0	33.0	18.0	27.5	0.8	C822E395-B0****

400Vdc (250Vac) [@]						
C _N (μF)	W	H	T	P	d	Part number
0.0027	10.5	9.0	4.0	7.5	0.6	C822G272-30****
0.0033	10.5	9.0	4.0	7.5	0.6	C822G332-30****
0.0039	10.5	9.0	4.0	7.5	0.6	C822G392-30****
0.0047	10.5	9.0	4.0	7.5	0.6	C822G472-30****
0.0056	10.5	9.0	4.0	7.5	0.6	C822G562-30****
0.0068	10.5	9.0	4.0	7.5	0.6	C822G682-30****
0.0082	10.5	9.0	4.0	7.5	0.6	C822G822-30****
0.010	10.5	9.0	4.0	7.5	0.6	C822G103-30****
0.012	10.5	9.0	4.0	7.5	0.6	C822G123-30****
0.015	10.5	11.0	5.0	7.5	0.6	C822G153-30****
0.018	10.5	11.0	5.0	7.5	0.6	C822G183-30****
0.022	10.5	12.0	6.0	7.5	0.6	C822G223-30****
0.027	10.5	12.0	6.0	7.5	0.6	C822G273-30****
0.010	13.0	9.0	4.0	10.0	0.6	C822G103-40****
0.012	13.0	9.0	4.0	10.0	0.6	C822G123-40****
0.015	13.0	9.0	4.0	10.0	0.6	C822G153-40****
0.018	13.0	9.0	4.0	10.0	0.6	C822G183-40****
0.022	13.0	9.0	4.0	10.0	0.6	C822G223-40****
0.027	13.0	11.0	5.0	10.0	0.6	C822G273-40****
0.033	13.0	11.0	5.0	10.0	0.6	C822G333-40****
0.039	13.0	12.0	6.0	10.0	0.6	C822G393-40****
0.047	13.0	12.0	6.0	10.0	0.6	C822G473-40****
0.033	17.5	11.0	5.0	15.0	0.8	C822G333-60****
0.039	17.5	11.0	5.0	15.0	0.8	C822G393-60****
0.047	17.5	11.0	5.0	15.0	0.8	C822G473-60****
0.056	17.5	11.0	5.0	15.0	0.8	C822G563-60****
0.068	17.5	12.0	6.0	15.0	0.8	C822G683-60****
0.082	17.5	12.0	6.0	15.0	0.8	C822G823-60****
0.10	17.5	13.5	7.5	15.0	0.8	C822G104-60****
0.12	17.5	13.5	7.5	15.0	0.8	C822G124-60****
0.15	17.5	14.5	8.5	15.0	0.8	C822G154-60****
0.18	17.5	16.0	10.0	15.0	0.8	C822G184-60****
0.22	17.5	16.0	10.0	15.0	0.8	C822G224-60****
0.27	17.5	19.0	11.0	15.0	0.8	C822G274-60****
0.12	26.5	15.0	6.0	22.5	0.8	C822G124-90****
0.15	26.5	15.0	6.0	22.5	0.8	C822G154-90****
0.18	26.5	15.0	6.0	22.5	0.8	C822G184-90****
0.22	26.5	16.0	7.0	22.5	0.8	C822G224-90****
0.27	26.5	17.0	8.5	22.5	0.8	C822G274-90****
0.33	26.5	17.0	8.5	22.50	0.8	C822G334-90****
0.39	26.5	18.5	10.0	22.5	0.8	C822G394-90****
0.47	26.5	18.5	10.0	22.5	0.8	C822G474-90****
0.56	26.5	22.0	12.0	22.5	0.8	C822G564-90****
0.68	26.5	22.0	12.0	22.5	0.8	C822G684-90****
0.39	32.0	18.0	9.0	27.5	0.8	C822G394-B0****
0.47	32.0	18.0	9.0	27.5	0.8	C822G474-B0****
0.56	32.0	20.0	11.0	27.5	0.8	C822G564-B0****
0.68	32.0	20.0	11.0	27.5	0.8	C822G684-B0****
0.82	32.0	22.0	13.0	27.5	0.8	C822G824-B0****
1.0	32.0	24.5	15.0	27.5	0.8	C822G105-B0****
1.2	32.0	24.5	15.0	27.5	0.8	C822G125-B0****
1.5	32.0	33.0	18.0	27.5	0.8	C822G155-B0****
1.8	32.0	33.0	18.0	27.5	0.8	C822G185-B0****

备注 Note: 1. “-”表示容量偏差。 “.”=capacitance tolerance code. M=±20%, K=±10%, J=±5%, H=±3%, G=±2%。
 2. “****”表示引线加工和包装代码(见表1)。“****”=lead form and packing code (refer to table 1).
 3. “@”不用作跨线,请参见抗干扰电容器(Page 109).
 “@” Not suitable for across-the-line application. Pls refer to Interference Suppression Capacitors(Page 109).

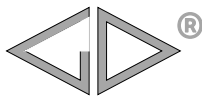


■ 外形尺寸 Dimensions(mm)

630Vdc (400Vac)						
C _N (μF)	W	H	T	P	d	Part number
0.00068	10.5	9.0	4.0	7.5	0.6	C822J681-30****
0.00082	10.5	9.0	4.0	7.5	0.6	C822J821-30****
0.0010	10.5	9.0	4.0	7.5	0.6	C822J102-30****
0.0012	10.5	9.0	4.0	7.5	0.6	C822J122-30****
0.0015	10.5	9.0	4.0	7.5	0.6	C822J152-30****
0.0018	10.5	9.0	4.0	7.5	0.6	C822J182-30****
0.0022	10.5	9.0	4.0	7.5	0.6	C822J222-30****
0.0027	10.5	9.0	4.0	7.5	0.6	C822J272-30****
0.0033	10.5	9.0	4.0	7.5	0.6	C822J332-30****
0.0039	10.5	9.0	4.0	7.5	0.6	C822J392-30****
0.0047	10.5	9.0	4.0	7.5	0.6	C822J472-30****
0.0056	10.5	9.0	4.0	7.5	0.6	C822J562-30****
0.0068	10.5	11.0	5.0	7.5	0.6	C822J682-30****
0.0082	10.5	11.0	5.0	7.5	0.6	C822J822-30****
0.010	10.5	12.0	6.0	7.5	0.6	C822J103-30****
0.012	10.5	12.0	6.0	7.5	0.6	C822J123-30****
0.0039	13.0	9.0	4.0	10.0	0.6	C822J392-40****
0.0047	13.0	9.0	4.0	10.0	0.6	C822J472-40****
0.0056	13.0	9.0	4.0	10.0	0.6	C822J562-40****
0.0068	13.0	9.0	4.0	10.0	0.6	C822J682-40****
0.0082	13.0	9.0	4.0	10.0	0.6	C822J822-40****
0.010	13.0	11.0	5.0	10.0	0.6	C822J103-40****
0.012	13.0	11.0	5.0	10.0	0.6	C822J123-40****
0.015	13.0	12.0	6.0	10.0	0.6	C822J153-40****
0.018	13.0	12.0	6.0	10.0	0.6	C822J183-40****
0.010	17.5	11.0	5.0	15.0	0.8	C822J103-60****
0.012	17.5	11.0	5.0	15.0	0.8	C822J123-60****
0.015	17.5	11.0	5.0	15.0	0.8	C822J153-60****
0.018	17.5	11.0	5.0	15.0	0.8	C822J183-60****
0.022	17.5	11.0	5.0	15.0	0.8	C822J223-60****
0.027	17.5	11.0	5.0	15.0	0.8	C822J273-60****
0.033	17.5	12.0	6.0	15.0	0.8	C822J333-60****

630Vdc (400Vac)						
C _N (μF)	W	H	T	P	d	Part number
0.039	17.5	12.0	6.0	15.0	0.8	C822J393-60****
0.047	17.5	12.0	6.0	15.0	0.8	C822J473-60****
0.056	17.5	13.5	7.5	15.0	0.8	C822J563-60****
0.068	17.5	14.5	8.5	15.0	0.8	C822J683-60****
0.082	17.5	14.5	8.5	15.0	0.8	C822J823-60****
0.10	17.5	16.0	10.0	15.0	0.8	C822J104-60****
0.12	17.5	19.0	11.0	15.0	0.8	C822J124-60****
0.047	26.5	15.0	6.0	22.5	0.8	C822J473-90****
0.056	26.5	15.0	6.0	22.5	0.8	C822J563-90****
0.068	26.5	15.0	6.0	22.5	0.8	C822J683-90****
0.082	26.5	15.0	6.0	22.5	0.8	C822J823-90****
0.10	26.5	15.0	6.0	22.5	0.8	C822J104-90****
0.12	26.5	16.0	7.0	22.5	0.8	C822J124-90****
0.15	26.5	17.0	8.5	22.5	0.8	C822J154-90****
0.18	26.5	17.0	8.5	22.5	0.8	C822J184-90****
0.22	26.5	18.5	10.0	22.5	0.8	C822J224-90****
0.27	26.5	22.0	12.0	22.5	0.8	C822J274-90****
0.33	26.5	22.0	12.0	22.5	0.8	C822J334-90****
0.39	26.5	22.0	12.0	22.5	0.8	C822J394-90****
0.15	32.0	18.0	9.0	27.5	0.8	C822J154-B0****
0.18	32.0	18.0	9.0	27.5	0.8	C822J184-B0****
0.22	32.0	18.0	9.0	27.5	0.8	C822J224-B0****
0.27	32.0	18.0	9.0	27.5	0.8	C822J274-B0****
0.33	32.0	20.0	11.0	27.5	0.8	C822J334-B0****
0.39	32.0	20.0	11.0	27.5	0.8	C822J394-B0****
0.47	32.0	22.0	13.0	27.5	0.8	C822J474-B0****
0.56	32.0	22.0	13.0	27.5	0.8	C822J564-B0****
0.68	32.0	24.5	15.0	27.5	0.8	C822J684-B0****
0.82	32.0	28.0	14.0	27.5	0.8	C822J824-B0****
1.0	32.0	33.0	18.0	27.5	0.8	C822J105-B0****
1.2	32.0	33.0	18.0	27.5	0.8	C822J125-B0****

备注 Note: 1. “-”表示容量偏差。 “-”=capacitance tolerance code. M=±20%, K=±10%, J=±5%, H=±3%, G=±2%。
2. “****”表示引线加工和包装代码(见表1)。“****”=lead form and packing code (refer to table 1).



C82

MMKP82 series

外形尺寸 Dimensions(mm)

1 000Vdc(600Vac)							1 600Vdc(650Vac)							2 000Vdc(700Vac)						
C _N (μF)	W	H	T	P	d	Part number	C _N (μF)	W	H	T	P	d	Part number	C _N (μF)	W	H	T	P	d	Part number
0.00047K	10.5	9.0	4.0	7.5	0.6	C823A471K30****	0.00068	17.5	11.0	5.0	15.0	0.8	C823C681-60****	0.00022	17.5	11.0	5.0	15.0	0.8	C823D221-60****
0.00056	10.5	9.0	4.0	7.5	0.6	C823A561-30****	0.00082	17.5	11.0	5.0	15.0	0.8	C823C821-60****	0.00027	17.5	11.0	5.0	15.0	0.8	C823D271-60****
0.00068	10.5	9.0	4.0	7.5	0.6	C823A681-30****	0.0010	17.5	11.0	5.0	15.0	0.8	C823C102-60****	0.00033	17.5	11.0	5.0	15.0	0.8	C823D331-60****
0.00082	10.5	9.0	4.0	7.5	0.6	C823A821-30****	0.0012	17.5	11.0	5.0	15.0	0.8	C823C122-60****	0.00039	17.5	11.0	5.0	15.0	0.8	C823D391-60****
0.0010	10.5	9.0	4.0	7.5	0.6	C823A102-30****	0.0015	17.5	11.0	5.0	15.0	0.8	C823C152-60****	0.00047	17.5	11.0	5.0	15.0	0.8	C823D471-60****
0.0012	10.5	11.0	5.0	7.5	0.6	C823A122-30****	0.0018	17.5	11.0	5.0	15.0	0.8	C823C182-60****	0.00056	17.5	11.0	5.0	15.0	0.8	C823D561-60****
0.0015	10.5	11.0	5.0	7.5	0.6	C823A152-30****	0.0022	17.5	11.0	5.0	15.0	0.8	C823C222-60****	0.00068	17.5	11.0	5.0	15.0	0.8	C823D681-60****
0.0018	10.5	11.0	5.0	7.5	0.6	C823A182-30****	0.0027	17.5	11.0	5.0	15.0	0.8	C823C272-60****	0.00082	17.5	11.0	5.0	15.0	0.8	C823D821-60****
0.0022	10.5	11.0	5.0	7.5	0.6	C823A222-30****	0.0033	17.5	11.0	5.0	15.0	0.8	C823C332-60****	0.0010	17.5	11.0	5.0	15.0	0.8	C823D102-60****
0.0027	10.5	12.0	6.0	7.5	0.6	C823A272-30****	0.0039	17.5	11.0	5.0	15.0	0.8	C823C392-60****	0.0012	17.5	11.0	5.0	15.0	0.8	C823D122-60****
0.0033	10.5	12.0	6.0	7.5	0.6	C823A332-30****	0.0047	17.5	11.0	5.0	15.0	0.8	C823C472-60****	0.0015	17.5	11.0	5.0	15.0	0.8	C823D152-60****
0.0010	13.0	9.0	4.0	10.0	0.6	C823A102-40****	0.0056	17.5	11.0	5.0	15.0	0.8	C823C562-60****	0.0018	17.5	11.0	5.0	15.0	0.8	C823D182-60****
0.0012	13.0	9.0	4.0	10.0	0.6	C823A122-40****	0.0068	17.5	11.0	5.0	15.0	0.8	C823C682-60****	0.0022	17.5	11.0	5.0	15.0	0.8	C823D222-60****
0.0015	13.0	9.0	4.0	10.0	0.6	C823A152-40****	0.0082	17.5	12.0	6.0	15.0	0.8	C823C822-60****	0.0027	17.5	11.0	5.0	15.0	0.8	C823D272-60****
0.0018	13.0	9.0	4.0	10.0	0.6	C823A182-40****	0.010	17.5	12.0	6.0	15.0	0.8	C823C103-60****	0.0033	17.5	12.0	6.0	15.0	0.8	C823D332-60****
0.0022	13.0	9.0	4.0	10.0	0.6	C823A222-40****	0.012	17.5	13.5	7.5	15.0	0.8	C823C123-60****	0.0039	17.5	12.0	6.0	15.0	0.8	C823D392-60****
0.0027	13.0	9.0	4.0	10.0	0.6	C823A272-40****	0.015	17.5	13.5	7.5	15.0	0.8	C823C153-60****	0.0047	17.5	12.0	6.0	15.0	0.8	C823D472-60****
0.0033	13.0	9.0	4.0	10.0	0.6	C823A332-40****	0.018	17.5	14.5	8.5	15.0	0.8	C823C183-60****	0.0056	17.5	13.5	7.5	15.0	0.8	C823D562-60****
0.0039	13.0	11.0	5.0	10.0	0.6	C823A392-40****	0.022	17.5	14.5	8.5	15.0	0.8	C823C223-60****	0.0068	17.5	13.5	7.5	15.0	0.8	C823D682-60****
0.0047	13.0	11.0	5.0	10.0	0.6	C823A472-40****	0.027	17.5	16.0	10.0	15.0	0.8	C823C273-60****	0.0082	17.5	14.5	8.5	15.0	0.8	C823D822-60****
0.0056	13.0	12.0	6.0	10.0	0.6	C823A562-40****	0.033	17.5	19.0	11.0	15.0	0.8	C823C333-60****	0.010	17.5	16.0	10.0	15.0	0.8	C823D103-60****
0.0068	13.0	12.0	6.0	10.0	0.6	C823A682-40****	0.015	26.5	15.0	6.0	22.5	0.8	C823C153-90****	0.012	17.5	16.0	10.0	15.0	0.8	C823D123-60****
0.0082	17.5	11.0	5.0	15.0	0.8	C823A822-60****	0.018	26.5	15.0	6.0	22.5	0.8	C823C183-90****	0.015	17.5	19.0	11.0	15.0	0.8	C823D153-60****
0.010	17.5	11.0	5.0	15.0	0.8	C823A103-60****	0.022	26.5	15.0	6.0	22.5	0.8	C823C223-90****	0.0010	26.5	15.0	6.0	22.5	0.8	C823D102-90****
0.012	17.5	11.0	5.0	15.0	0.8	C823A123-60****	0.027	26.5	15.0	6.0	22.5	0.8	C823C273-90****	0.0012	26.5	15.0	6.0	22.5	0.8	C823D122-90****
0.015	17.5	11.0	5.0	15.0	0.8	C823A153-60****	0.033	26.5	16.0	7.0	22.5	0.8	C823C333-90****	0.0015	26.5	15.0	6.0	22.5	0.8	C823D152-90****
0.018	17.5	13.5	7.5	15.0	0.8	C823A183-60****	0.039	26.5	17.0	8.5	22.5	0.8	C823C393-90****	0.0018	26.5	15.0	6.0	22.5	0.8	C823D182-90****
0.022	17.5	13.5	7.5	15.0	0.8	C823A223-60****	0.047	26.5	18.5	10.0	22.5	0.8	C823C473-90****	0.0022	26.5	15.0	6.0	22.5	0.8	C823D222-90****
0.027	17.5	14.5	8.5	15.0	0.8	C823A273-60****	0.056	26.5	18.5	10.0	22.5	0.8	C823C563-90****	0.0027	26.5	15.0	6.0	22.5	0.8	C823D272-90****
0.033	17.5	14.5	8.5	15.0	0.8	C823A333-60****	0.068	26.5	22.0	12.0	22.5	0.8	C823C683-90****	0.0033	26.5	15.0	6.0	22.5	0.8	C823D332-90****
0.039	17.5	16.0	10.0	15.0	0.8	C823A393-60****	0.082	26.5	22.0	12.0	22.5	0.8	C823C823-90****	0.0039	26.5	15.0	6.0	22.5	0.8	C823D392-90****
0.047	17.5	19.0	11.0	15.0	0.8	C823A473-60****	0.039	32.0	18.0	9.0	27.5	0.8	C823C393-B0****	0.0047	26.5	15.0	6.0	22.5	0.8	C823D472-90****
0.027	26.5	15.0	6.0	22.5	0.8	C823A273-90****	0.047	32.0	18.0	9.0	27.5	0.8	C823C473-B0****	0.0056	26.5	15.0	6.0	22.5	0.8	C823D562-90****
0.033	26.5	15.0	6.0	22.5	0.8	C823A333-90****	0.056	32.0	18.0	9.0	27.5	0.8	C823C563-B0****	0.0068	26.5	15.0	6.0	22.5	0.8	C823D682-90****
0.039	26.5	15.0	6.0	22.5	0.8	C823A393-90****	0.068	32.0	18.0	9.0	27.5	0.8	C823C683-B0****	0.0082	26.5	15.0	6.0	22.5	0.8	C823D822-90****
0.047	26.5	16.0	7.0	22.5	0.8	C823A473-90****	0.082	32.0	20.0	11.0	27.5	0.8	C823C823-B0****	0.010	26.5	15.0	6.0	22.5	0.8	C823D103-90****
0.056	26.5	16.0	7.0	22.5	0.8	C823A563-90****	0.10	32.0	20.0	11.0	27.5	0.8	C823C104-B0****	0.012	26.5	15.0	6.0	22.5	0.8	C823D123-90****
0.068	26.5	17.0	8.5	22.5	0.8	C823A683-90****	0.12	32.0	22.0	13.0	27.5	0.8	C823C124-B0****	0.015	26.5	16.0	7.0	22.5	0.8	C823D153-90****
0.082	26.5	18.5	10.0	22.5	0.8	C823A823-90****	0.15	32.0	24.5	15.0	27.5	0.8	C823C154-B0****	0.018	26.5	16.0	7.0	22.5	0.8	C823D183-90****
0.10	26.5	18.5	10.0	22.5	0.8	C823A104-90****	0.18	32.0	24.5	15.0	27.5	0.8	C823C184-B0****	0.022	26.5	17.0	8.5	22.5	0.8	C823D223-90****
0.12	26.5	22.0	12.0	22.5	0.8	C823A124-90****	0.22	32.0	33.0	18.0	27.5	0.8	C823C224-B0****	0.027	26.5	18.5	10.0	22.5	0.8	C823D273-90****
0.15	26.5	22.0	12.0	22.5	0.8	C823A154-90****	0.27	32.0	33.0	18.0	27.5	0.8	C823C274-B0****	0.033	26.5	18.5	10.0	22.5	0.8	C823D333-90****
0.10	32.0	18.0	9.0	27.5	0.8	C823A104-B0****	0.33	32.0	33.0	18.0	27.5	0.8	C823C334-B0****	0.039	26.5	22.0	12.0	22.5	0.8	C823D393-90****
0.12	32.0	20.0	11.0	27.5	0.8	C823A124-B0****								0.047	26.5	22.0	12.0	22.5	0.8	C823D473-90****
0.15	32.0	20.0	11.0	27.5	0.8	C823A154-B0****								0.022	32.0	18.0	9.0	27.5	0.8	C823D223-B0****
0.18	32.0	22.0	13.0	27.5	0.8	C823A184-B0****								0.027	32.0	18.0	9.0	27.5	0.8	C823D273-B0****
0.22	32.0	22.0	13.0	27.5	0.8	C823A224-B0****								0.033	32.0	18.0	9.0	27.5	0.8	C823D333-B0****
0.27	32.0	24.5	15.0	27.5	0.8	C823A274-B0****								0.039	32.0	20.0	11.0	27.5	0.8	C823D393-B0****
0.33	32.0	28.0	14.0	27.5	0.8	C823A334-B0****								0.047	32.0	20.0	11.0	27.5	0.8	C823D473-B0****
0.39	32.0	33.0	18.0	27.5	0.8	C823A394-B0****								0.056	32.0	22.0	13.0	27.5	0.8	C823D563-B0****
0.47	32.0	33.0	18.0	27.5	0.8	C823A474-B0****								0.068	32.0	22.0	13.0	27.5	0.8	C823D683-B0****
														0.082	32.0	24.5	15.0	27.5	0.8	C823D823-B0****
														0.10	32.0	28.0	14.0	27.5	0.8	C823D104-B0****
														0.12	32.0	33.0	18.0	27.5	0.8	C823D124-B0****
														0.15	32.0	33.0	18.0	27.5	0.8	C823D154-B0****

备注 Note: 1. “-”表示容量偏差。 “-”=capacitance tolerance code. M=±20%, K=±10%, J=±5%, H=±3%, G=±2%。
2. “****”表示引线加工和包装代码(见表1)。“****”=lead form and packing code (refer to table 1).

X-ON Electronics

Largest Supplier of Electrical and Electronic Components

Click to view similar products for [Film Capacitors](#) category:

Click to view products by [FARATRONIC](#) manufacturer:

Other Similar products are found below :

[703-6G](#) [82DC4100CK60J](#) [82EC1100DQ50K](#) [MMWAF150KME](#) [PCY2130F30153](#) [QXJ2E474KTPT](#) [QXL2B333KTPT](#) [QXM2G104K](#)
[DPM16S56K-1F](#) [EEC2G505HQA406](#) [B32234-.033@250V-K](#) [B81133-C1104-M3](#) [MTC355L1](#) [217-0716-001](#) [PA225L30](#) [CB182K0184J--](#)
[KP1830-247/061-G](#) [274ACF4400WA0J](#) [274ACF5150WA0J](#) [SCD105K122A3-22](#) [SCD205K122A3-24](#) [PCX2339F65224](#) [PCX2339F65334](#)
[2222 368 55105](#) [2222 370 21683](#) [QXL2E473KTPT](#) [445450-1](#) [MKT182022263473](#) [WMC08P22](#) [46KN410000N1K](#) [46KR368050M1M](#) [ECQ-](#)
[W4223KZ](#) [EEC2G805HQA415](#) [PA103L30](#) [82DC4100AA60K](#) [82EC2150DQ50K](#) [VEA105K50](#) [82IC2150DQ50J](#) [82EC2220DQ50J](#)
[MTC55L4](#) [MTC56L4](#) [PA104L30](#) [PA224L30](#) [82DC3220AA60J](#) [82EC4100DQ70J](#) [WYP-104M](#) [82CC4220AA70J](#) [82EC3100Z370J](#)
[B32656S8105K566](#) [EEC2G105HQA401](#)