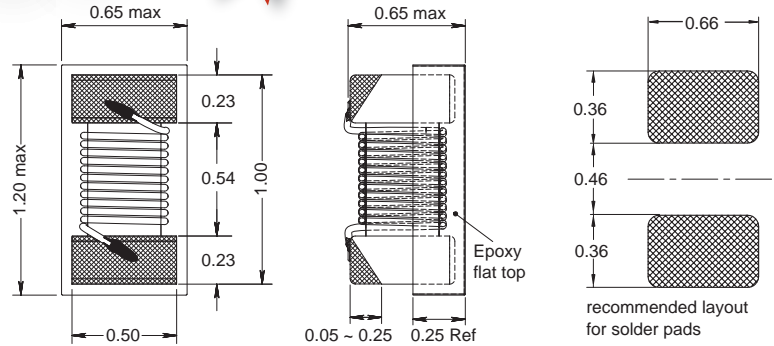
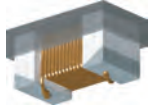
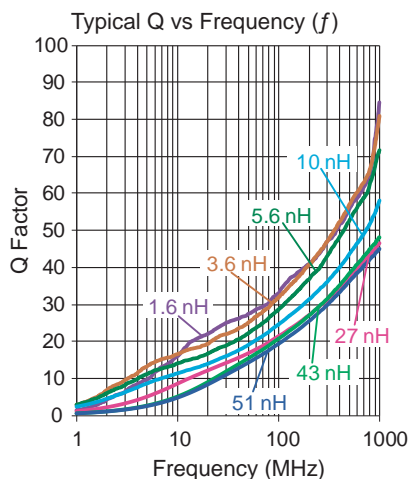
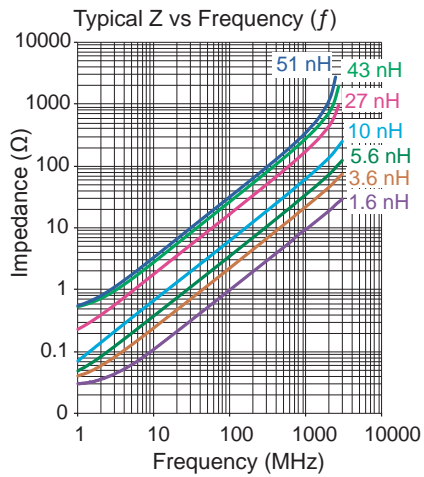
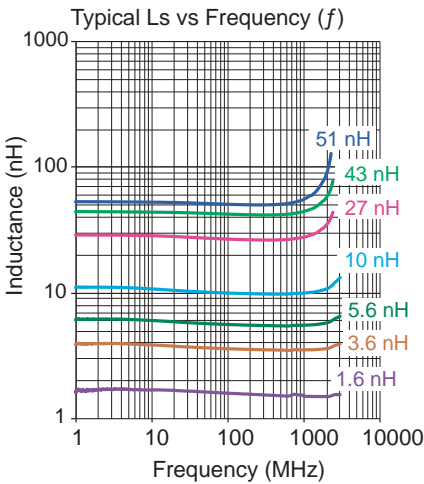


0402 AQC

Engineer's Kit : EK-0402AQC-X



Chip Inductors for RF Applications (Wire wound - open)



| Part No | Inductance L (nH) | f _L (MHz) | Tol ± (%) | Q min | f _Q (MHz) | SRF typ (GHz) | DCR max (Ω) | Rated DC Current (A) |
|-----------------|-------------------|----------------------|-----------|-------|----------------------|---------------|-------------|----------------------|
| 0402AQC-0N9M-YY | 0.9 | 100 | 20 | 24 | 250 | 18 | 0.015 | 3.00 |
| 0402AQC-1N6K-YY | 1.6 | 100 | 10 | 24 | 250 | 18 | 0.040 | 2.00 |
| 0402AQC-2N8K-YY | 2.8 | 100 | 10 | 27 | 250 | 13.5 | 0.040 | 2.00 |
| 0402AQC-2N9K-YY | 2.9 | 100 | 10 | 27 | 250 | 12.5 | 0.040 | 2.00 |
| 0402AQC-3N0K-YY | 3.0 | 100 | 10 | 30 | 250 | 12.5 | 0.040 | 2.00 |
| 0402AQC-3N3K-YY | 3.3 | 100 | 10 | 30 | 250 | 14.0 | 0.040 | 2.00 |
| 0402AQC-3N6K-YY | 3.6 | 100 | 10 | 30 | 250 | 10.0 | 0.040 | 2.00 |
| 0402AQC-3N9K-YY | 3.9 | 100 | 10 | 32 | 250 | 10.0 | 0.040 | 2.00 |
| 0402AQC-4N3K-YY | 4.3 | 100 | 10 | 32 | 250 | 9.60 | 0.060 | 1.80 |
| 0402AQC-4N7K-YY | 4.7 | 100 | 10 | 31 | 250 | 8.00 | 0.050 | 1.85 |
| 0402AQC-5N1K-YY | 5.1 | 100 | 10 | 31 | 250 | 8.00 | 0.050 | 1.85 |
| 0402AQC-5N6K-YY | 5.6 | 100 | 10 | 31 | 250 | 8.00 | 0.050 | 1.85 |
| 0402AQC-5N9K-YY | 5.9 | 100 | 10 | 31 | 250 | 8.00 | 0.050 | 1.85 |
| 0402AQC-6N2K-YY | 6.2 | 100 | 10 | 31 | 250 | 8.00 | 0.050 | 1.80 |
| 0402AQC-6N8J-YY | 6.8 | 100 | 5 | 30 | 250 | 7.00 | 0.065 | 1.70 |
| 0402AQC-7N2J-YY | 7.2 | 100 | 5 | 31 | 250 | 7.00 | 0.065 | 1.70 |
| 0402AQC-7N5J-YY | 7.5 | 100 | 5 | 31 | 250 | 7.00 | 0.065 | 1.70 |
| 0402AQC-8N2J-YY | 8.2 | 100 | 5 | 30 | 250 | 6.50 | 0.065 | 1.65 |
| 0402AQC-8N7J-YY | 8.7 | 100 | 5 | 30 | 250 | 6.50 | 0.070 | 1.50 |
| 0402AQC-9N0J-YY | 9.0 | 100 | 5 | 30 | 250 | 6.50 | 0.078 | 1.50 |
| 0402AQC-9N1J-YY | 9.1 | 100 | 5 | 30 | 250 | 6.50 | 0.078 | 1.50 |
| 0402AQC-9N2J-YY | 9.2 | 100 | 5 | 30 | 250 | 6.00 | 0.078 | 1.50 |
| 0402AQC-9N5J-YY | 9.5 | 100 | 5 | 30 | 250 | 6.00 | 0.080 | 1.50 |
| 0402AQC-010J-YY | 10 | 100 | 5 | 30 | 250 | 6.00 | 0.080 | 1.50 |
| 0402AQC-011J-YY | 11 | 100 | 5 | 30 | 250 | 6.00 | 0.080 | 1.50 |
| 0402AQC-012J-YY | 12 | 100 | 5 | 30 | 250 | 5.20 | 0.095 | 1.35 |
| 0402AQC-013J-YY | 13 | 100 | 5 | 30 | 250 | 5.20 | 0.095 | 1.35 |
| 0402AQC-015J-YY | 15 | 100 | 5 | 28 | 250 | 5.50 | 0.120 | 1.15 |
| 0402AQC-016J-YY | 16 | 100 | 5 | 26 | 250 | 5.00 | 0.140 | 1.10 |
| 0402AQC-017J-YY | 17 | 100 | 5 | 26 | 250 | 5.00 | 0.140 | 1.10 |
| 0402AQC-018J-YY | 18 | 100 | 5 | 26 | 250 | 5.00 | 0.140 | 1.10 |
| 0402AQC-019J-YY | 19 | 100 | 5 | 26 | 250 | 5.00 | 0.140 | 1.10 |
| 0402AQC-020J-YY | 20 | 100 | 5 | 26 | 250 | 4.50 | 0.225 | 0.80 |
| 0402AQC-021J-YY | 21 | 100 | 5 | 26 | 250 | 4.50 | 0.225 | 0.80 |
| 0402AQC-022J-YY | 22 | 100 | 5 | 25 | 250 | 4.50 | 0.225 | 0.80 |
| 0402AQC-023J-YY | 23 | 100 | 5 | 25 | 250 | 4.50 | 0.225 | 0.80 |
| 0402AQC-024J-YY | 24 | 100 | 5 | 25 | 250 | 4.00 | 0.225 | 0.80 |
| 0402AQC-025J-YY | 25 | 100 | 5 | 25 | 250 | 4.00 | 0.255 | 0.80 |
| 0402AQC-026J-YY | 26 | 100 | 5 | 25 | 250 | 4.00 | 0.270 | 0.80 |
| 0402AQC-027J-YY | 27 | 100 | 5 | 25 | 250 | 4.00 | 0.270 | 0.80 |
| 0402AQC-030J-YY | 30 | 100 | 5 | 25 | 250 | 3.80 | 0.290 | 0.70 |
| 0402AQC-033J-YY | 33 | 100 | 5 | 25 | 250 | 3.60 | 0.345 | 0.65 |
| 0402AQC-036J-YY | 36 | 100 | 5 | 25 | 250 | 3.50 | 0.455 | 0.60 |
| 0402AQC-039J-YY | 39 | 100 | 5 | 25 | 250 | 3.40 | 0.455 | 0.60 |
| 0402AQC-043J-YY | 43 | 100 | 5 | 25 | 250 | 3.40 | 0.585 | 0.45 |
| 0402AQC-047J-YY | 47 | 100 | 5 | 25 | 250 | 3.20 | 0.600 | 0.45 |
| 0402AQC-051J-YY | 51 | 100 | 5 | 25 | 250 | 2.90 | 0.690 | 0.45 |

Core Material : Ceramic

Revision date : 28 Sep 2021

SPQ : Taped / Reel 1000 [-08]
5000 [-01]

Remarks: - Unlisted inductance values available upon request.
- 3% and 5% tolerance available upon request.

• All dimensions in mm

X-ON Electronics

Largest Supplier of Electrical and Electronic Components

Click to view similar products for [Fixed Inductors](#) category:

Click to view products by [Fastron](#) manufacturer:

Other Similar products are found below :

[CR43NP-680KC](#) [CR54NP-820KC](#) [CR54NP-8R5MC](#) [CTX32CT-100](#) [70F224AI](#) [MGDQ4-00004-P](#) [MHL1ECTTP18NJ](#) [MHL1JCTTD12NJ](#)
[PE-51506NL](#) [PE-53601NL](#) [PE-53602NL](#) [PE-53630NL](#) [PE-53824SNLT](#) [PE-62892NL](#) [PE-92100NL](#) [PG0434.801NLT](#) [PG0936.113NLT](#)
[9310-16](#) [PM06-2N7](#) [PM06-39NJ](#) [A01TK](#) [1206CS-471XJ](#) [HC2-2R2TR](#) [HC2LP-R47-R](#) [HC3-2R2-R](#) [1206CS-151XG](#) [RCH664NP-140L](#)
[RCH664NP-4R7M](#) [RCH8011NP-221L](#) [RCP1317NP-332L](#) [RCP1317NP-391L](#) [RCR1010NP-470M](#) [RCR110DNP-331L](#) [DH2280-4R7M](#)
[DS1608C-106](#) [ASPI-4020HI-R10M-T](#) [B10TJ](#) [B82477P4333M](#) [B82498B3101J000](#) [B82498B3680J000](#) [ELJ-RE27NJF2](#) [1812CS-153XJ](#)
[1812CS-183XJ](#) [1812CS-223XJ](#) [1812LS-104XJ](#) [1812LS-105XJ](#) [1812LS-124XJ](#) [1812LS-154XJ](#) [1812LS-223XJ](#) [1812LS-224XJ](#)