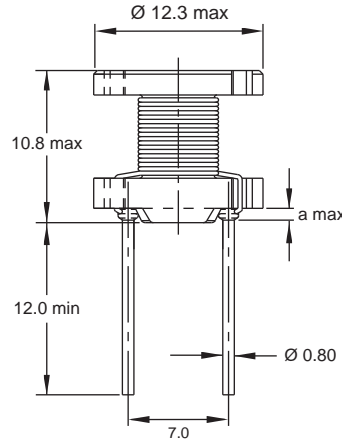
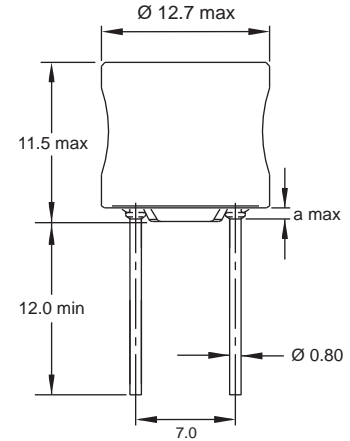


# 09 HCP, 09 HCP/T

For High Currents

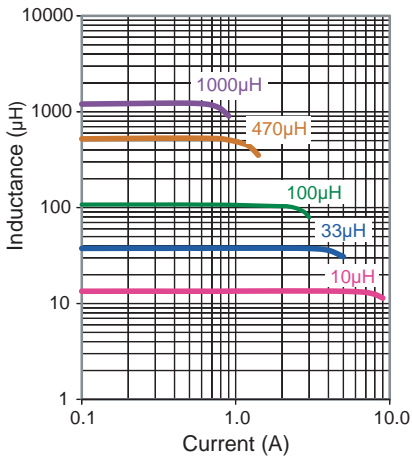


09 HCP



09 HCP/T  
(With Tube)

Typical Ls vs Current (I)



Part No	Inductance L (µH)	f <sub>L</sub> (kHz)	Tol. ± (%)	DCR max (Ω)	Rated DC Current (A)		Dimension a max
					I <sub>N</sub> max	I <sub>sat</sub> typ	
* 09HCP-100M-50	10	100kHz, 1V	<b>20</b>	0.014	5.12	6.70	3.0
* 09HCP-120M-50	12	100kHz, 1V	<b>20</b>	0.018	5.00	5.90	3.0
* 09HCP-150M-50	15	100kHz, 1V	<b>20</b>	0.020	4.60	5.30	3.0
* 09HCP-180M-50	18	100kHz, 1V	<b>20</b>	0.024	4.50	4.80	3.0
* 09HCP-220M-50	22	100kHz, 1V	<b>20</b>	0.031	4.10	4.30	3.0
* 09HCP-270M-50	27	100kHz, 1V	<b>20</b>	0.036	3.50	3.90	3.0
* 09HCP-330M-50	33	100kHz, 1V	<b>20</b>	0.037	3.10	3.60	3.0
* 09HCP-390M-50	39	100kHz, 1V	<b>20</b>	0.044	3.10	3.30	3.0
* 09HCP-470M-50	47	100kHz, 1V	<b>20</b>	0.054	3.10	3.00	3.0
* 09HCP-560M-50	56	100kHz, 1V	<b>20</b>	0.062	2.60	2.80	3.0
* 09HCP-680M-50	68	100kHz, 1V	<b>20</b>	0.072	2.60	2.50	3.0
09HCP-820X-50	82	100kHz, 1V	<b>10,20</b>	0.089	2.30	2.10	3.0
09HCP-101X-50	100	100kHz, 1V	<b>10,20</b>	0.103	2.30	2.00	3.0
09HCP-121X-50	120	100kHz, 1V	<b>10,20</b>	0.128	1.90	1.80	3.0
09HCP-151X-50	150	100kHz, 1V	<b>10,20</b>	0.173	1.60	1.60	2.0
09HCP-181X-50	180	100kHz, 1V	<b>10,20</b>	0.191	1.50	1.50	2.0
09HCP-221X-50	220	100kHz, 1V	<b>10,20</b>	0.226	1.40	1.30	2.0
09HCP-271X-50	270	100kHz, 1V	<b>10,20</b>	0.288	1.30	1.20	2.0
09HCP-331X-50	330	100kHz, 1V	<b>10,20</b>	0.332	1.30	1.10	2.0
09HCP-391X-50	390	100kHz, 1V	<b>10,20</b>	0.442	1.00	1.00	2.0
09HCP-471X-50	470	100kHz, 1V	<b>10,20</b>	0.498	1.00	0.90	2.0
09HCP-561X-50	560	100kHz, 1V	<b>10,20</b>	0.564	1.00	0.80	2.0
09HCP-681X-50	680	100kHz, 1V	<b>10,20</b>	0.644	0.80	0.80	2.0
09HCP-821X-50	820	100kHz, 1V	<b>10,20</b>	0.911	0.70	0.70	2.0
09HCP-102X-50	1000	100kHz, 1V	<b>10,20</b>	1.022	0.60	0.70	2.0
09HCP-122X-50	1200	100kHz, 1V	<b>10,20</b>	1.200	0.60	0.67	2.0

Core Material : Ferrite

Revision date : 14 Sep 2020

SPQ :	Packing Form	Loose / Box
	Radial	200 [-50]

Remarks: - Also available with shorter leads.

- All 09HCP, 09HCP/T are specified for 150°C except the models with \*, which are specified for 125°C.

Pluggable Inductors (Pin Type Coils)

## X-ON Electronics

Largest Supplier of Electrical and Electronic Components

*Click to view similar products for [Fixed Inductors](#) category:*

*Click to view products by [Fastron](#) manufacturer:*

Other Similar products are found below :

[CR32NP-100KC](#) [CR43NP-680KC](#) [CR54NP-820KC](#) [CR54NP-8R5MC](#) [CTX32CT-100](#) [70F224AI](#) [MGDQ4-00004-P](#) [MHL1ECTTP18NJ](#)  
[MHL1JCTTD12NJ](#) [PE-51506NL](#) [PE-53601NL](#) [PE-53602NL](#) [PE-53630NL](#) [PE-53824SNLT](#) [PE-62892NL](#) [PE-92100NL](#) [PG0434.801NLT](#)  
[PG0936.113NLT](#) [9310-16](#) [PM06-2N7](#) [PM06-39NJ](#) [A01TK](#) [1206CS-471XJ](#) [HC2-2R2TR](#) [HC2LP-R47-R](#) [HC3-2R2-R](#) [1206CS-151XG](#)  
[RCH664NP-140L](#) [RCH664NP-4R7M](#) [RCH8011NP-221L](#) [RCP1317NP-332L](#) [RCP1317NP-391L](#) [RCR1010NP-470M](#) [RCR110DNP-331L](#)  
[DH2280-4R7M](#) [DS1608C-106](#) [ASPI-4020HI-R10M-T](#) [B10TJ](#) [B82477P4333M](#) [B82498B3101J000](#) [B82498B3680J000](#) [ELJ-RE27NJF2](#)  
[1812CS-153XJ](#) [1812CS-183XJ](#) [1812CS-223XJ](#) [1812LS-104XJ](#) [1812LS-105XJ](#) [1812LS-124XJ](#) [1812LS-154XJ](#) [1812LS-223XJ](#)