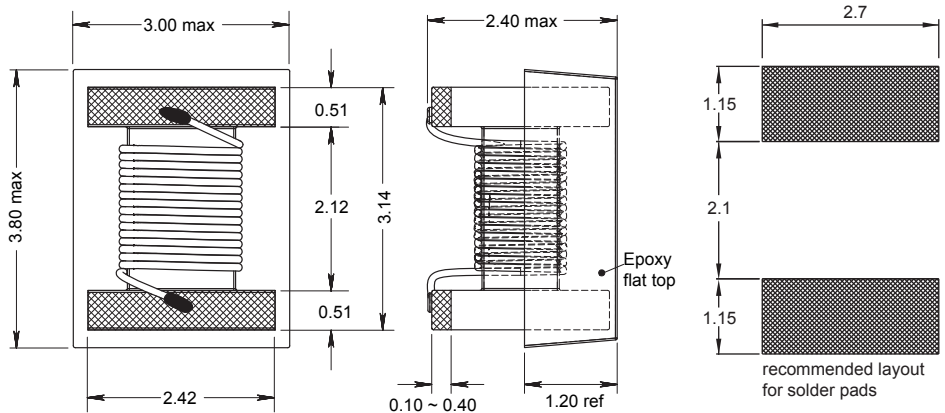
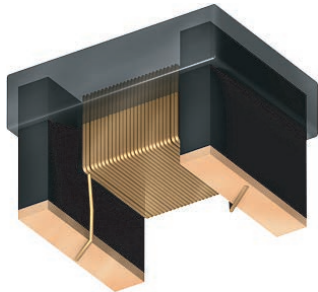
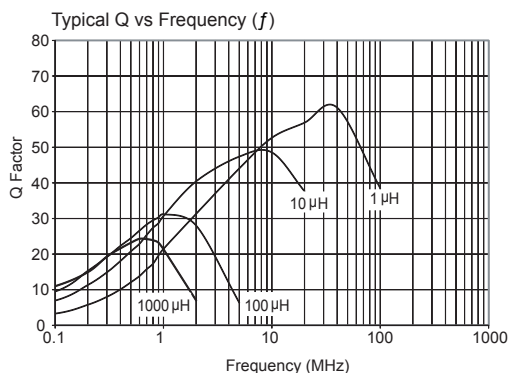
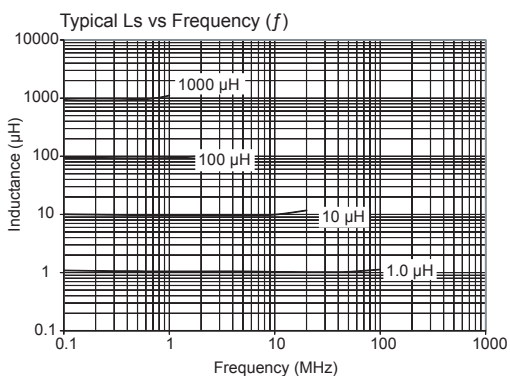
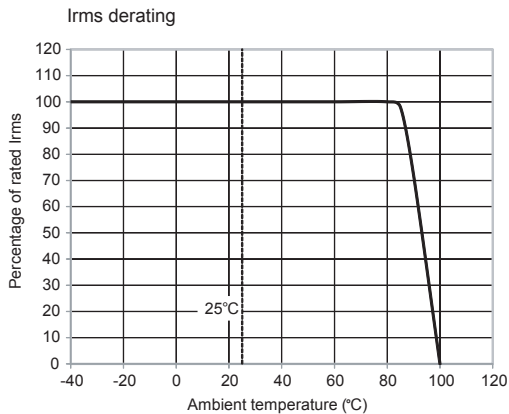


# 1210 F

Engineer's Kit : EK-1210F-X



Chip Inductors for RF Applications (Wire wound -open)



Part No	Inductance	f <sub>L</sub>	Tol	Q	f <sub>Q</sub>	SRF	DCR	Rated DC
	L (µH)	(MHz)	± (%)	min	(MHz)	min (MHz)	max (Ω)	Current max (mA)
1210F-R10K-YY	0.1	25	10	40	25	375	0.15	1131
1210F-1R0K-YY	1.0	1	10	30	7.96	200	0.28	600
1210F-1R2K-YY	1.2	1	10	30	7.96	200	0.32	560
1210F-1R5K-YY	1.5	1	10	30	7.96	200	0.34	535
1210F-1R8K-YY	1.8	1	10	30	7.96	150	0.41	490
1210F-2R2K-YY	2.2	1	10	30	7.96	150	0.43	480
1210F-2R7K-YY	2.7	1	10	30	7.96	150	0.49	450
1210F-3R3K-YY	3.3	1	10	30	7.96	90	0.55	425
1210F-3R9K-YY	3.9	1	10	30	7.96	80	0.59	410
1210F-4R7K-YY	4.7	1	10	30	7.96	70	0.65	390
1210F-5R6K-YY	5.6	1	10	30	7.96	40	0.71	375
1210F-6R8K-YY	6.8	1	10	27	7.96	28	0.78	360
1210F-8R2K-YY	8.2	1	10	27	7.96	25	0.92	330
1210F-100K-YY	10	1	10	27	2.52	15	0.98	320
1210F-120K-YY	12	0.1	10	27	2.52	13	1.10	300
1210F-150K-YY	15	0.1	10	27	2.52	12	1.25	280
1210F-180K-YY	18	0.1	10	27	2.52	11	1.35	270
1210F-220K-YY	22	0.1	10	27	2.52	10	1.45	260
1210F-270K-YY	27	0.1	10	26	2.52	9.0	1.65	245
1210F-330K-YY	33	0.1	10	25	2.52	8.0	1.85	230
1210F-390K-YY	39	0.1	10	25	2.52	7.0	2.05	220
1210F-470K-YY	47	0.1	10	25	2.52	6.5	2.30	210
1210F-560K-YY	56	0.1	10	24	2.52	6.0	2.50	200
1210F-680K-YY	68	0.1	10	23	2.52	5.5	2.80	190
1210F-820K-YY	82	0.1	10	22	2.52	5.0	3.20	175
1210F-101K-YY	100	0.1	10	22	2.52	4.5	4.70	145
1210F-121K-YY	120	0.1	10	30	0.796	4.2	5.20	140
1210F-151K-YY	150	0.1	10	30	0.796	4.0	6.10	130
1210F-181K-YY	180	0.1	10	27	0.796	3.6	6.90	120
1210F-221K-YY	220	0.1	10	25	0.796	3.3	7.50	115
1210F-271K-YY	270	0.1	10	23	0.796	3.0	12.5	90
1210F-331K-YY	330	0.1	10	23	0.796	2.8	14.1	85
1210F-391K-YY	390	0.1	10	23	0.796	2.5	15.3	80
1210F-471K-YY	470	0.1	10	22	0.796	2.3	20.5	75
1210F-561K-YY	560	0.1	10	22	0.796	2.2	23.0	70
1210F-681K-YY	680	0.1	10	22	0.796	1.9	25.0	65
1210F-821K-YY	820	0.1	10	20	0.796	1.7	28.0	60
1210F-102K-YY	1000	0.1	10	18	0.796	1.6	32.0	55

Single layer (typ)

Core Material : Ferrite

Revision date : 23 Jul 2015

SPQ : Taped / Reel 800 [-01]  
3000 [-04]

Remarks : - For not listed inductance values please check availability with us.  
- 2% and 5% tolerance available on request.

## X-ON Electronics

Largest Supplier of Electrical and Electronic Components

*Click to view similar products for [Fixed Inductors](#) category:*

*Click to view products by [Fastron](#) manufacturer:*

Other Similar products are found below :

[MLZ1608M6R8WTD25](#) [MLZ1608N6R8LT000](#) [MLZ1608N3R3LTD25](#) [MLZ1608N3R3LT000](#) [MLZ1608N150LT000](#)  
[MLZ1608M150WTD25](#) [MLZ1608M3R3WTD25](#) [MLZ1608M3R3WT000](#) [MLZ1608M150WT000](#) [MLZ1608A1R5WT000](#)  
[MLZ1608N1R5LT000](#) [B82432C1333K000](#) [PCMB053T-1R0MS](#) [PCMB053T-1R5MS](#) [PCMB104T-1R5MS](#) [CR32NP-100KC](#) [CR32NP-151KC](#) [CR32NP-180KC](#) [CR32NP-181KC](#) [CR32NP-1R5MC](#) [CR32NP-390KC](#) [CR32NP-3R9MC](#) [CR32NP-680KC](#) [CR32NP-820KC](#)  
[CR32NP-8R2MC](#) [CR43NP-390KC](#) [CR43NP-560KC](#) [CR43NP-680KC](#) [CR54NP-181KC](#) [CR54NP-470LC](#) [CR54NP-820KC](#) [CR54NP-8R5MC](#)  
[MGDQ4-00004-P](#) [MGDU1-00016-P](#) [MHL1ECTTP18NJ](#) [MHL1JCTTD12NJ](#) [PE-51506NL](#) [PE-53601NL](#) [PE-53630NL](#) [PE-53824SNLT](#) [PE-62892NL](#) [PE-92100NL](#) [PG0434.801NLT](#) [PG0936.113NLT](#) [PM06-2N7](#) [PM06-39NJ](#) [HC2LP-R47-R](#) [HC2-R47-R](#) [HC3-2R2-R](#) [HC8-1R2-R](#)