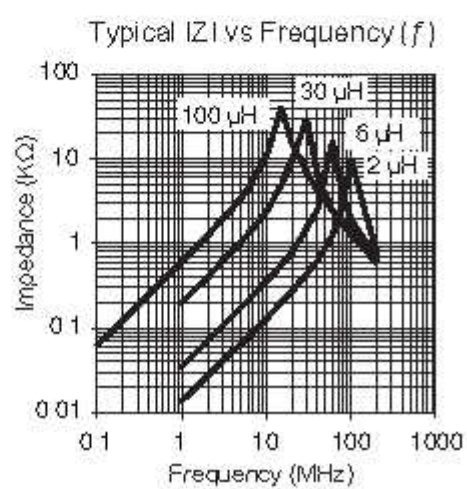
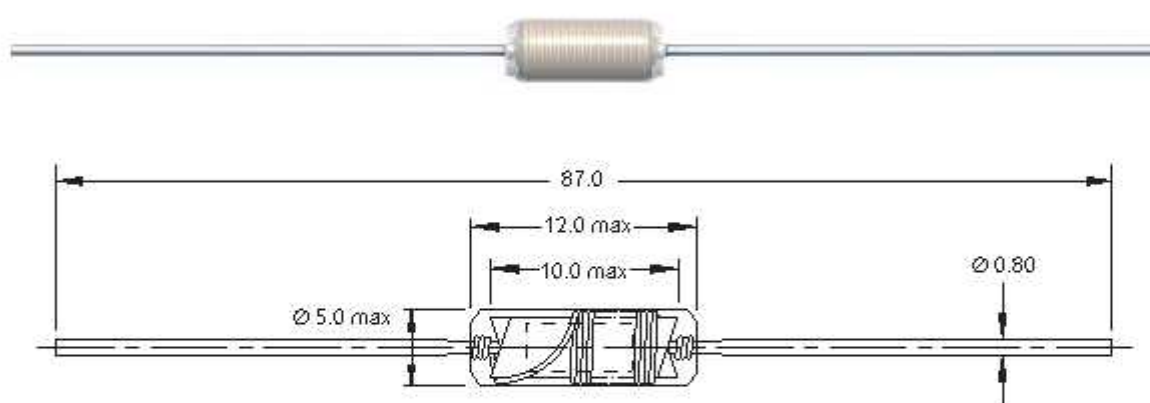


MISC 



Part No	Inductance	f_L	Tol	DCR	Rated DC
	L (μH)	(kHz)	± (%)	max (mΩ)	Current (A)
MISC-1R0M-YY	1	1000	20	18	4
MISC-2R0M-YY	2	1000	20	54	3
MISC-3R0M-YY	3	1000	20	93	2
MISC-6R0M-YY	6	1000	20	228	1.5
MISC-140M-YY	14	100	20	912	0.7
MISC-300M-YY	30	100	20	3240	0.4
MISC-400M-YY	40	100	20	4290	0.3
MISC-101M-YY	100	100	20	22800	0.15

Single layer

Material : Iron Dust

Revision date 27 Aug 2013

SPQ :

Packing Form	Reel
Axial	1500 [-01]

Remarks :

- Available also without insulating material (MISC/B)
- Loose packing [-00] available on request
- Single layer - Model with Insulation Foil are suitable for Application in "Power Line", rated voltage 230V AC (Test voltage 500V DC)

Suppression Coils

All dimensions in mm

X-ON Electronics

Largest Supplier of Electrical and Electronic Components

Click to view similar products for [Fixed Inductors](#) category:

Click to view products by [Fastron](#) manufacturer:

Other Similar products are found below :

[MLZ1608M6R8WTD25](#) [MLZ1608N6R8LT000](#) [MLZ1608N3R3LTD25](#) [MLZ1608N3R3LT000](#) [MLZ1608N150LT000](#)
[MLZ1608M150WTD25](#) [MLZ1608M3R3WTD25](#) [MLZ1608M3R3WT000](#) [MLZ1608M150WT000](#) [MLZ1608A1R5WT000](#)
[MLZ1608N1R5LT000](#) [B82432C1333K000](#) [PCMB053T-1R0MS](#) [PCMB053T-1R5MS](#) [PCMB104T-1R5MS](#) [CR32NP-100KC](#) [CR32NP-151KC](#) [CR32NP-180KC](#) [CR32NP-181KC](#) [CR32NP-1R5MC](#) [CR32NP-390KC](#) [CR32NP-3R9MC](#) [CR32NP-680KC](#) [CR32NP-820KC](#)
[CR32NP-8R2MC](#) [CR43NP-390KC](#) [CR43NP-560KC](#) [CR43NP-680KC](#) [CR54NP-181KC](#) [CR54NP-470LC](#) [CR54NP-820KC](#) [CR54NP-8R5MC](#)
[MGDQ4-00004-P](#) [MGDU1-00016-P](#) [MHL1ECTTP18NJ](#) [MHL1JCTTD12NJ](#) [PE-51506NL](#) [PE-53601NL](#) [PE-53630NL](#) [PE-53824SNLT](#) [PE-62892NL](#) [PE-92100NL](#) [PG0434.801NLT](#) [PG0936.113NLT](#) [PM06-2N7](#) [PM06-39NJ](#) [HC2LP-R47-R](#) [HC2-R47-R](#) [HC3-2R2-R](#) [HC8-1R2-R](#)