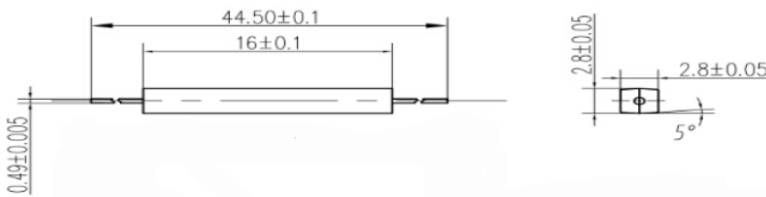
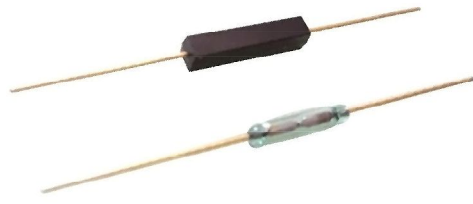



PCB/SMD Mount Reed Switch/Sensor

| | | | |
|---|--|---|------------|
| Product Name | Normally Open Reed Sensor | Item No. | FRS-16A45H |
|   | | Advantages: <ol style="list-style-type: none"> 1. Easy installation, operate in magnetic field. 2. Passive switch, no need outer power 3. Cut through any non-iron materials. | |
| Item Numbers | FRS-16A45H  | | |
| Built-in reed switch | MKA-14103 | | |
| Switch Form | Form A-SPST | | |
| Operate Range (AT) | 8-35 | | |
| Operate Time (ms) | 1.0 | | |
| Resonant Frequency (Hz) | 4000 | | |
| Switched Power (max.) | 10 | | |
| Switched Vdc/Vac (max.) | 100 | | |
| Switched Current (max.) | 0.5 | | |
| Carry Current (max.) | 1.0 | | |
| Breakdown Voltage (min.) | 220 | | |
| Contact Resist. (max.) | 100 | | |
| Contact Capacit. (max.) | 0.7 | | |
| Insulation Resist. (min.) | 10 ⁸ | | |
| Mould Case | Black Epoxy Resin | | |
| Sealed technique | Black Epoxy Resin | | |
| Work Temperature | -40~+125 | | |
| Installation | 2 leads, Plug-in | | |

X-ON Electronics

Largest Supplier of Electrical and Electronic Components

Click to view similar products for [Industrial Hall Effect/Magnetic Sensors](#) category:

Click to view products by [FAST Sensors](#) manufacturer:

Other Similar products are found below :

[GT-14114](#) [GT-14123](#) [GTN2C15C](#) [GT-12076](#) [GT-14049](#) [GT-14067](#) [GT-14132](#) [GT-18030](#) [MZ07A108](#) [PST360G2-1S-C0000-ERA360-05K](#)
[MZC1-2V2PS-KP0](#) [PSC360G2-F1P-C0000-ERA360-05K-200](#) [115L 9E 502 W06017](#) [115L 5,2E 502 W06017](#) [115L 14E 502 W06017](#)
[103SR14A-1](#) [55100-3H-04-A](#) [MZT7-03VPS-KW0](#) [MZT8-03VPS-KW0](#) [A1326LLHLT-T](#) [ACS770LCB-100U-PFF-T](#) [55505-00-02-B](#) [GN](#)
[55.2-ND-15-3](#) [GN 55.2-ND-18-3](#) [GN 55.2-ND-4-3](#) [GN 55.2-ND-8-3](#) [GN 55.2-SC-10-3](#) [GN 55.4-ND-10-7,5-2](#) [GN 55.4-ND-12-9,5-2,5](#) [GN](#)
[55.4-ND-26-20,3-5](#) [GN 55.4-ND-7,5-4-1,5](#) [101MG7-BP](#) [103SR18-1](#) [A1324LUA-T](#) [MXM1120KIT](#) [MXM1120SOKIT](#) [A3212EUA-T](#)
[AA006-02E](#) [55140-3H-03-A](#) [55100-2M-02-A](#) [MM12-60APS-ZUK](#) [ACX04-F99-I-V15](#) [GN 55.1-SC-24-11.5-4](#) [MZA70155](#) [MZR40158](#)
[PW520000](#) [ADH025-00E](#) [MZT7-03VPS-KP0](#) [MZT8-03VPS-KR0](#) [MZT8-03VPS-KP0](#)