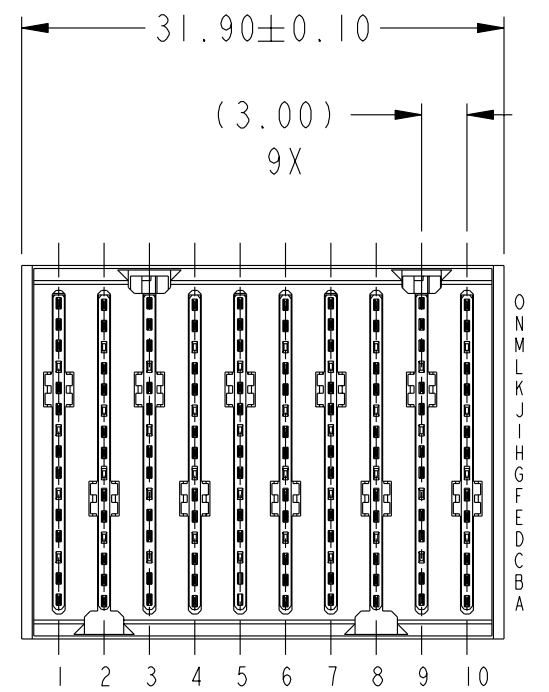
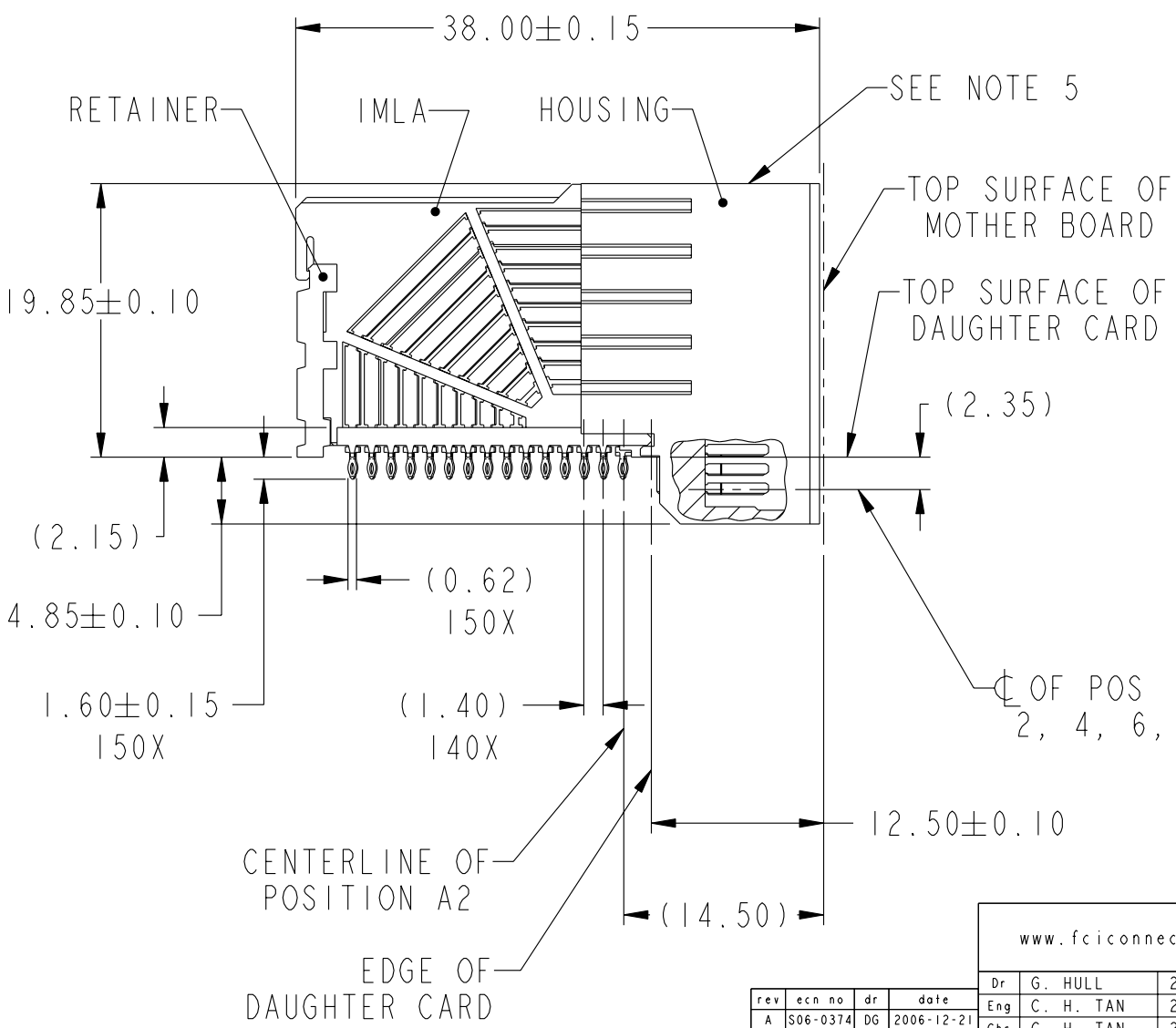


Product number
SEE TABLE, SHEET 5

A
B
C
D



SEE TABLE (SHEET 5) FOR LOCATION OF SHORT-DETECT

www.fciconnect.com		surface 3.2 ASME Y14.5	tolerance std ASME Y14.5	projection MM
		TOLERANCES UNLESS OTHERWISE SPECIFIED		MM
Dr	G. HULL	2006-03-03	ANGULAR	0.X ±
Eng	C. H. TAN	2006-03-03	LINEAR	0.XX ±
Chr	C. H. TAN	2006-12-21	0° ±°	0.XXX ±
Appr	JOEY NG	2006-12-21	Product family	AirMax VS
			Spec ref	ECN ***
FCI			AirMax VS R/A HEADER ASSY	dwg no
			PRESS-FIT, 150 POS, 32MM W/ SHORT-DETECT PINS	10066670
			catalog no	CUSTOMER
			sheet 1 of 5	Rev. A

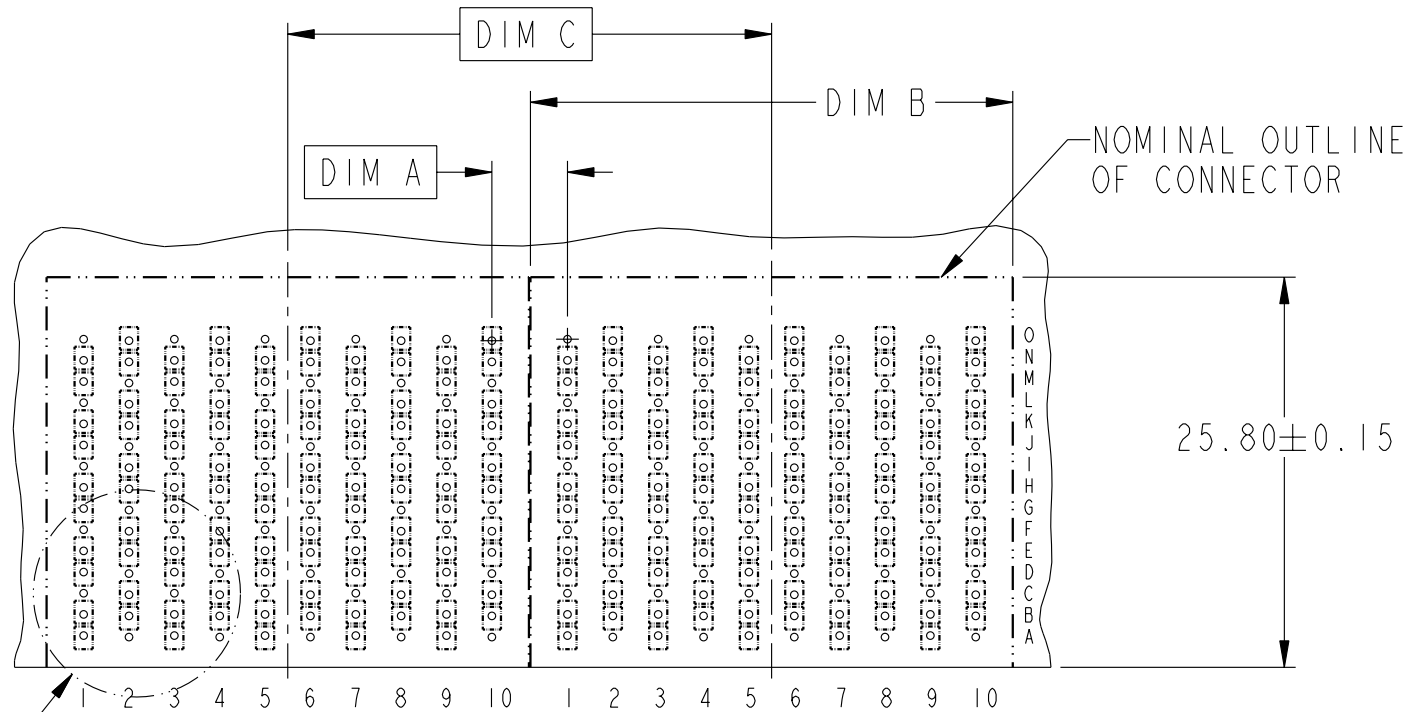
rev	ecn no	dr	date
A	S06-0374	DG	2006-12-21
-	-	-	-
-	-	-	-
-	-	-	-
-	-	-	-
-	-	-	-

REV F - 2006-04-17



Copyright FCI.

DESCRIPTION	DIM A	DIM B	DIM C
2-32MM MODULES PLACED END-TO-END	5.00	31.90 2X	32.00
1-30MM MODULE & 1-32MM MODULE PLACED END-TO-END	4.00	29.90 1X & 31.90 1X	31.00



DETAIL A

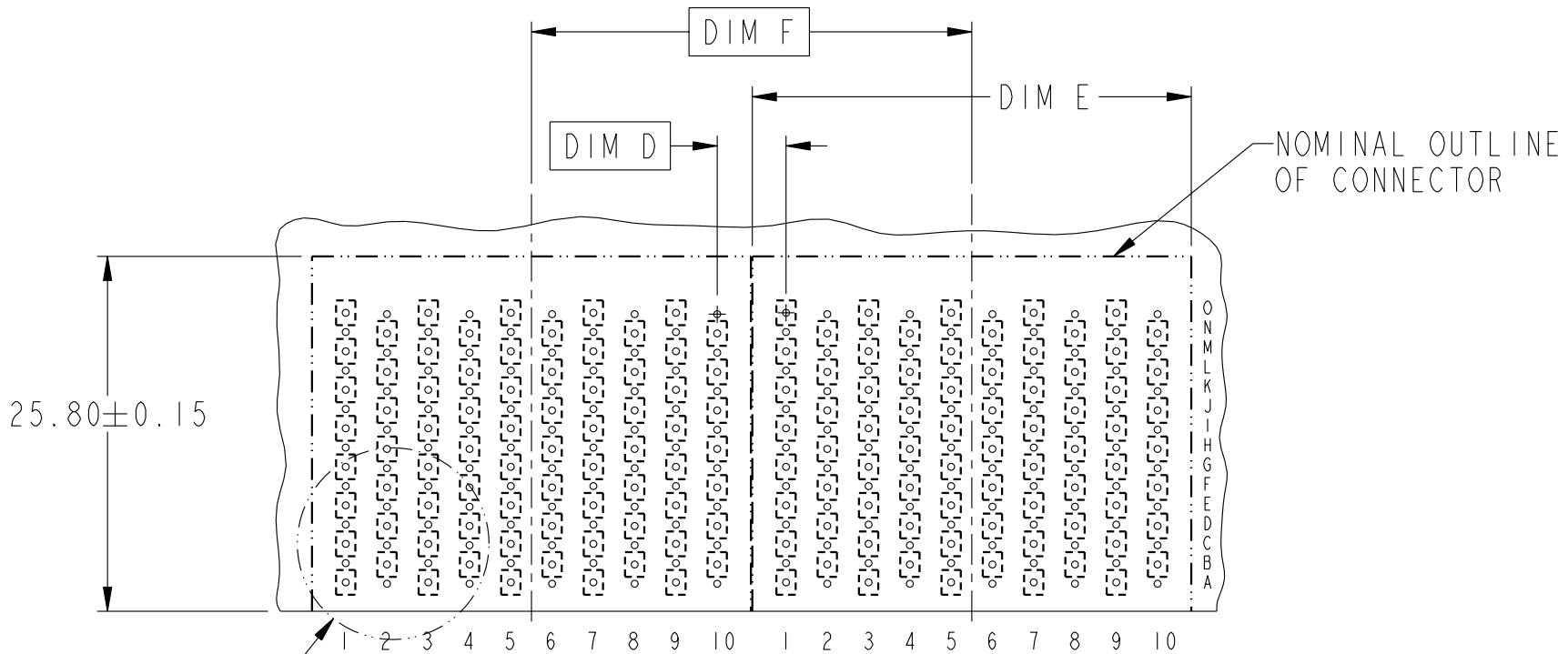
RECOMMENDED PCB LAYOUT
FOR DIFFERENTIAL APPLICATIONS
COMPONENT SIDE
(TWO ADJACENT FOOTPRINTS SHOWN)
NOTES 6 & 7



title	AirMax VS R/A HEADER ASSY	dwg no	10066670	Rev.	A
	PRESS-FIT, 150 POS., 32MM W/ SHORT-DETECT PINS				
catalog no	-	CUSTOMER	sheet 2 of 5		



DESCRIPTION	DIM D	DIM E	DIM F
2-32MM MODULES PLACED END-TO-END	5.00	31.90 2X	32.00
1-30MM MODULE & 1-32MM MODULE PLACED END-TO-END	4.00	29.90 1X & 31.90 1X	31.00



RECOMMENDED PCB LAYOUT
FOR SINGLE ENDED APPLICATIONS
COMPONENT SIDE
(TWO ADJACENT FOOTPRINTS SHOWN)
NOTES 6 & 7



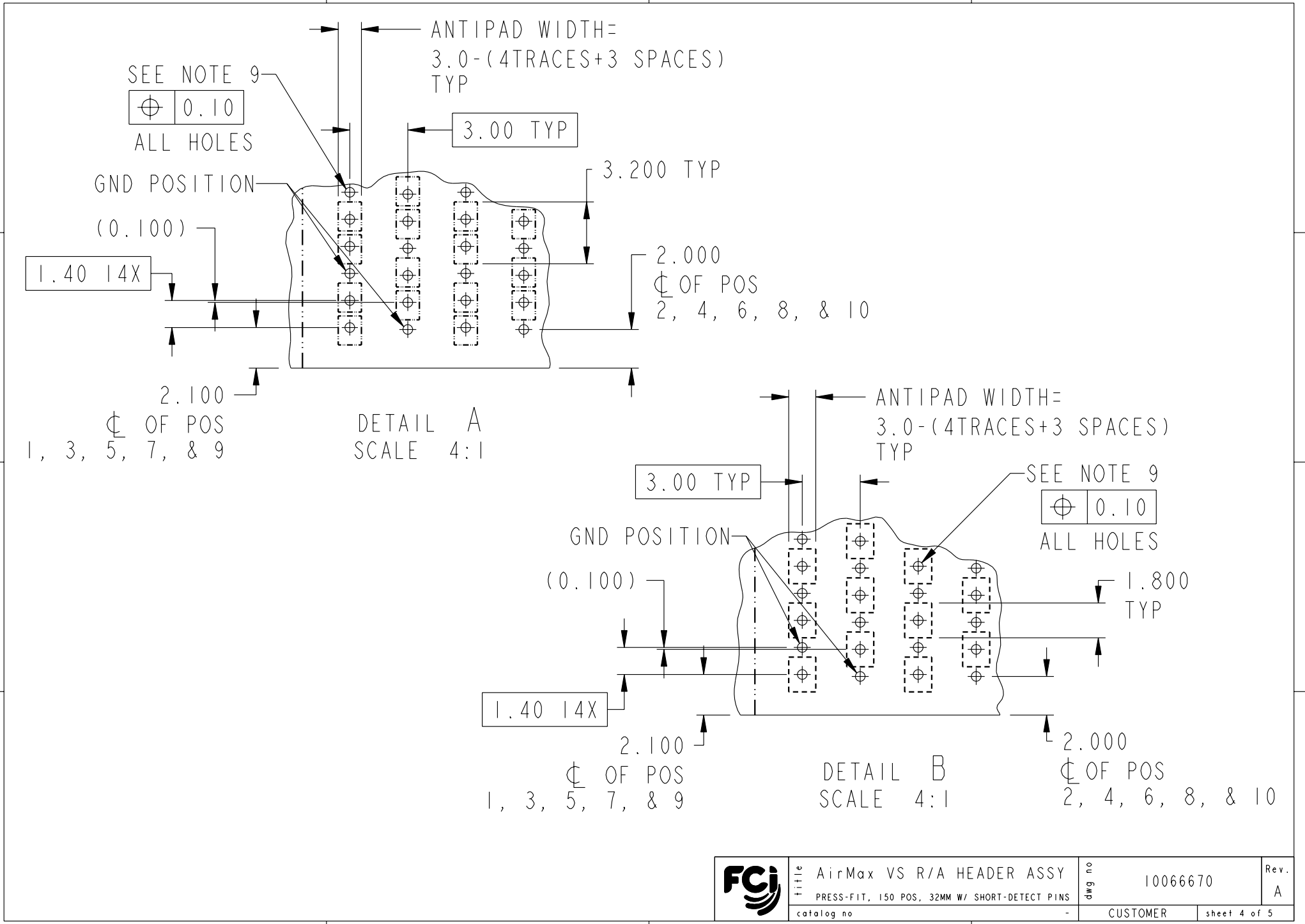
Copyright FCI.



Title	AirMax VS R/A HEADER ASSY		dwg no	10066670	Rev.	A
	PRESS-FIT, 150 POS, 32MM W/ SHORT-DETECT PINS			CUSTOMER		sheet 3 of 5
catalog no	-					



Copyright FCI.



REV F - 2006-04-17



AirMax VS R/A HEADER ASSY
 PRESS-FIT, 150 POS, 32MM W/ SHORT-DETECT PINS
 catalog no -

dwg no 10066670
 CUSTOMER sheet 4 of 5

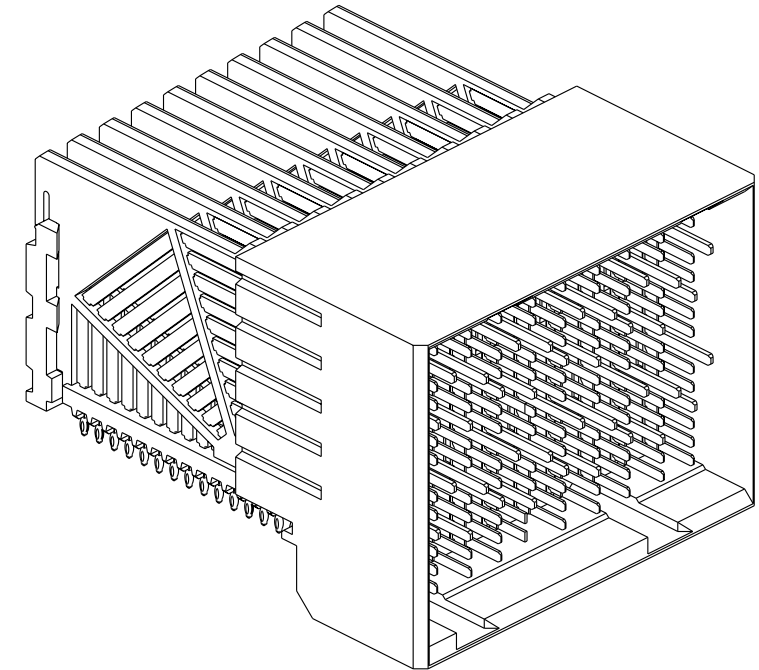
Rev. A

PART NUMBER	PRESS-FIT TAIL PLATING TYPE	SHORT DETECT POSITION (SEE NOTE 13)
10066670-100001LF	TIN OVER NICKEL (LEAD FREE)	A5
10066670-100002LF	TIN OVER NICKEL (LEAD FREE)	A5, B5

NOTES:

1. CONNECTOR MATERIALS:
HOUSING & RETAINER: HIGH TEMP THERMOPLASTIC, NATURAL, UL94V-0
IMLA PLASTIC: HIGH TEMP THERMOPLASTIC, BLACK, UL94V-0
CONTACT: COPPER ALLOY
2. CONTACT PLATING:
SEPARABLE INTERFACE:
PERFORMANCE-BASED PLATING, QUALIFIED TO MEET THE REQUIREMENTS OF FCI PRODUCT SPECIFICATION GS-12-239 INCLUDING TELCORDIA GR-1217-CORE (NOVEMBER 1995) CENTRAL OFFICE TEST SEQUENCE

PRESS-FIT TAILS: SEE TABLE
3. PRODUCT SPECIFICATION: GS-12-239
4. APPLICATION SPECIFICATION: GS-20-035
5. PRODUCT MARKING, (PART NUMBER & LOT CODE), ON THIS SURFACE
6. REFER TO CUSTOMER DRAWING 10035911 FOR INFORMATION REGARDING PCB LAYOUT OF POWER AND GUIDE MODULES RELATIVE TO SIGNAL MODULES
7. POSITIONS F AND L OF ODD NUMBERED COLUMNS AND POSITIONS G AND M OF EVEN NUMBERED COLUMNS CORRESPOND TO EARLY MATE HEADER PINS
8. THERE IS NO GROUND BUSSING WITHIN THE CONNECTOR SYSTEM
9. REFER TO CUSTOMER DRAWING 10045979 FOR INFORMATION ON PCB HOLE DIAMETERS AND PLATING OPTIONS.



10. LEAD FREE PRODUCT MEETS EUROPEAN UNION DIRECTIVES AND OTHER COUNTRY REGULATIONS AS DESCRIBED IN GS-22-008.
11. THE HOUSING WILL WITHSTAND EXPOSURE TO 260°C PEAK TEMPERATURE FOR 40 SECONDS IN A CONVECTION, INFRA-RED OR VAPOR PHASE REFLOW OVEN.
12. PACKAGING MEETS GS-14-920 LEAD FREE LABELING SPECIFICATION.
13. MATING PIN HAS 0.5MM LESS NOMINAL WIPE THAN THE SHORTEST SIGNAL PIN.

FCI	title	AirMax VS R/A HEADER ASSY	dwg no	10066670	Rev.	A
		PRESS-FIT, 150 POS, 32MM W/ SHORT-DETECT PINS				
	catalog no	-	CUSTOMER	sheet 5 of 5		



X-ON Electronics

Largest Supplier of Electrical and Electronic Components

Click to view similar products for [DIN 41612 Connectors](#) category:

Click to view products by [FCT Electronics](#) manufacturer:

Other Similar products are found below :

[09231126901](#) [PCN10F-24P-2.54DS\(72\)](#) [004.767](#) [02221602702](#) [024069](#) [602427301412000](#) [013275](#) [691327-1](#) [74670-0732](#) [74680-0340](#)
[75880-0015](#) [76453-0014](#) [86093159ALF](#) [923454](#) [QLC260R](#) [120X10099X](#) [120X10019X](#) [120X10089X](#) [120X10129X](#) [121A10039X](#)
[121A10309X](#) [122A10019X](#) [122A10029X](#) [122A10249X](#) [122A10669X](#) [122A11089X](#) [122A13089X](#) [121B10409X](#) [122A10089X](#)
[122A10129X](#) [122A10349X](#) [122A13359X](#) [1377391-4](#) [DIN-048CPC-SR1-MH](#) [1393583-2](#) [1393726-7](#) [140X10059X](#) [140X10129X](#) [143-1913-](#)
[000](#) [143-1908-000](#) [1484472-1](#) [173052](#) [2110070-1](#) [2110070-2](#) [CBC20T00-008FDS5-0-1-002VR](#) [983-0SE12-12P6](#) [17041102202](#) [172699-](#)
[5036](#) [173051](#) [20 8457096 010 025](#)