

SD41343

CABLE SIZES ACCOMMODATED

CATALOG NO.	FIG	COPPER AND ALUMINUM (AWG.)			A.C.S.R.(AWG.)		
		RUN	TAP	MAX CABLE COMBINATION	RUN	TAP	MAX CABLE COMBINATION
		KSU17	2	12 STR(.092)/12 SOL(.081)	12 STR(.092)/12 SOL(.081)	TWO 6 SOL (.162)	#8(.158 DIA)6-1
KSU20	2	10 STR(.115)/10 SOL(.102)	10 STR(.115)/10 SOL(.102)	TWO 4 SOL (.204)	#6(.198 DIA)6-1	#6(.198 DIA)6-1	TWO #6(.198 DIA)6-1
KSU22	2	10 STR(.115)/10 SOL(.102)	10 STR(.115)/10 SOL(.102)	TWO 2 SOL (.258)	#6(.198 DIA)6-1	#6(.198 DIA)6-1	TWO #4(.257 DIA)7-1
KSU23	2	8 STR (.148)	8 SOL (.129)	TWO 2 STR (.291)	#3(.281 DIA)6-1	#6(.198 DIA)6-1	TWO #2(.316 DIA)6-1
KSU25	2	2 STR (.292)	10 STR (.116)	TWO 1/0 STR (.373)	#3(.281 DIA)6-1	#6(.198 DIA)6-1	TWO #1(.355 DIA)6-1
KSU26	2	2 STR (.292)	8 STR (.146)	TWO 2/0 STR (.418)	#1(.355 DIA)6-1	#6(.198 DIA)6-1	TWO 1/0(.398 DIA)5-1
KSU27	1	1 STR (.332)	8 SOL (.129)	TWO 3/0 STR (.470)	#1(.355 DIA)6-1	#8(.158 DIA)6-1	TWO 2/0(.447 DIA)5-1
KSU29	1	1 STR (.332)	8 STR (.146)	TWO 250 KCM (.575)	2/0(.447 DIA)5-1	#6(.198 DIA)6-1	TWO 4/0(.563 DIA)5-1
KSU31	1	1/0 STR (.373)	4 STR (.232)	TWO 350 KCM (.681)	3/0(.502 DIA)6-1	#4(.250 DIA)6-1	TWO 4/0(.563 DIA)5-1
KSU34	1	400 KCM (.728)	2 STR (.291)	TWO 500 KCM (.814)	336.4 KCM(.741 DIA)30-7	#2(.316 DIA)6-1	TWO 477 KCM(.814 DIA)19-1
KSU39	1	500 KCM (.813)	1/0 STR (.373)	TWO 750 KCM (.998)	477 KCM(.814 DIA)18-1	1/0(.398 DIA)6-1	TWO 655.6 KCM(1.000 DIA)24-7
KSU44	1	750 KCM (.998)	2/0 STR (.418)	TWO 1000 KCM (1.152)	655.6 KCM(1.000 DIA)24-7	2/0(.447 DIA)6-1	TWO 874.5 KCM(1.146 DIA)54-7

METRIC CABLE SIZES ACCOMMODATED

CATALOG NO.	FIG	COPPER AND ALUMINUM			A.C.S.R.		
		RUN	TAP	MAX CABLE COMBINATION	RUN	TAP	MAX CABLE COMBINATION
		KSU17	2	4mm ² STR(2.7)/4mm ² SOL(2.3)	4mm ² STR(2.7)/4mm ² SOL(2.3)	TWO 10mm ² SOL(3.2)	16/2.5(5.4 DIA)6-1
KSU20	2	6mm ² STR(3.3)/6mm ² SOL(2.8)	6mm ² STR(3.3)/6mm ² SOL(2.8)	TWO 16mm ² STR(5.1)	16/2.5(5.4 DIA)6-1	16/2.5(5.4 DIA)6-1	---
KSU22	2	6mm ² STR(3.3)/6mm ² SOL(2.8)	6mm ² STR(3.3)/6mm ² SOL(2.8)	TWO 25mm ² STR(6.3)	16/2.5(5.4 DIA)6-1	16/2.5(5.4 DIA)6-1	TWO 16/2.5(5.4 DIA)6-1
KSU23	2	10mm ² STR(4.0)	10mm ² SOL(4.0)	TWO 35mm ² STR(7.5)	35/6mm ² (8.1 DIA)6-1	16/2.5(5.4 DIA)6-1	TWO 35/6(8.1 DIA)6-1
KSU25	2	35mm ² STR(7.5)	6mm ² STR(3.3)	TWO 50mm ² STR(9.0)	35/6mm ² (8.1 DIA)6-1	16/2.5(5.4 DIA)6-1	TWO 35/6(8.1 DIA)6-1
KSU26	2	35mm ² STR(7.5)	10mm ² STR(4.0)	TWO 70mm ² STR(10.5)	50/8(9.6 DIA)6-1	16/2.5(5.4 DIA)6-1	TWO 50/8(9.6 DIA)6-1
KSU27	1	50mm ² STR(9.0)	10mm ² STR(3.2)	TWO 95mm ² STR(12.5)	50/8(9.6 DIA)6-1	16/2.5(5.4 DIA)6-1	TWO 44/32(11.2 DIA)14-7
KSU29	1	50mm ² STR(9.0)	10mm ² STR(4.0)	TWO 120mm ² STR(14.0)	70/12(11.7 DIA)26-7	16/2.5(5.4 DIA)6-1	TWO 95/15(13.6 DIA)26-7
KSU31	1	70mm ² STR(10.5)	16mm ² STR(5.1)	TWO 185mm ² STR(17.5)	95/15(13.6 DIA)26-7	25/4(6.9 DIA)6-1	TWO 95/15(13.6 DIA)26-7
KSU34	1	240mm ² STR(20.6)	35mm ² STR(7.5)	TWO 240mm ² STR(20.6)	170/40(18.9 DIA)30-7	35/6(8.1 DIA)6-1	TWO 210/35(20.3 DIA)26-7
KSU39	1	240mm ² STR(20.6)	50mm ² STR(9.0)	TWO 300mm ² STR(27.5)	210/50(21.0 DIA)30-7	44/32(11.2 DIA)14-7	TWO 340/30(25.0 DIA)48-7
KSU44	1	300mm ² STR(22.5)	70mm ² STR(10.5)	TWO 500mm ² STR(29.1)	380/50(27.0 DIA)54-7	50/30(11.7 DIA)12-7	TWO 435/55(288 DIA)54-7

NOTES:

1. MATERIAL: COPPER ALLOY
2. FINISH: TIN PLATED
3. IN KSU26, SPACER ON DWG. A-20269 IS AN ACCEPTABLE ALTERNATE. WITH THIS SPACER, MIN. RUN CONDUCTOR IS 1/0 STR (.373 DIA.).
4. DIMENSIONS IN BRACKETS [] ARE IN MILLIMETERS ROUNDED OFF TO THE NEAREST MILLIMETER, UNLESS OTHERWISE NOTED, AND ARE FOR REFERENCE ONLY.
5. K&S SERVITS™ ARE MANUFACTURED WITH SERRATIONS LOCATED IN THE BODY (PRESSURE BAR SERRATIONS OPTIONAL) AND SPACER.
6. CONDUCTORS IN ABOVE TABLES MAY BE USED IN ANY COMBINATION PROVIDED THEY FALL WITHIN THE RANGE OF THE SIZE SERVIT™ USED. THIS SERVIT™ CAN ALSO ACCOMMODATE STEEL AND STEEL - COPPER COMPOSITE CABLE OF EQUIVALENT DIAMETERS IN ANY COMBINATION.
7. SPECIAL INSTRUCTION FOR ALUMINUM CONDUCTORS: WHEN USED ON ALUMINUM CONDUCTORS, SNEAR PENETROX™ "A" OR EQUIVALENT ON THE CONDUCTOR STRANDS. SCRATCH BRUSHING THE ALUMINUM CONDUCTORS (BUT NOT THE CONNECTOR) AFTER APPLYING THE COMPOUND IS RECOMMENDED. PENETROX™ "A" MAY BE PURCHASED FROM FC-BURNEDY ENG. CO.
8. UL 486A LISTED, FILE NO. E9498.; COPPER CONDUCTORS ONLY.

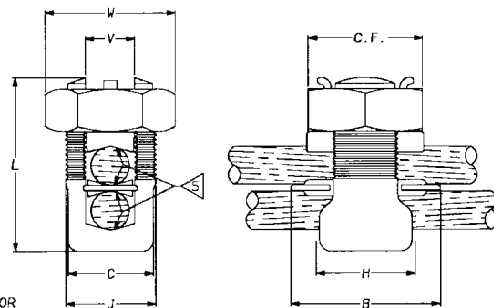


FIG. 1

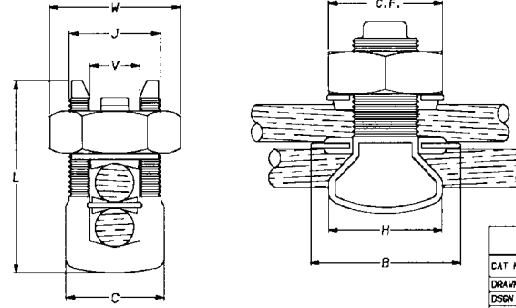
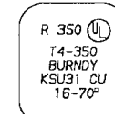
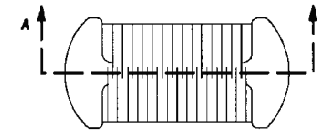


FIG. 2

REV.	DATE	DESCRIPTION	BY	C.K'D.
5	12/15/93	REVISION TO DWG. ADDRESS METRIC WIRE SIZES FOR C&A	RDP	KM
6	3/15/95	REVISION TO DWG. ADDRESS METRIC WIRE SIZES FOR C&A	JWA	RDP
7	1/23/97	REVISION TO DWG. ADDRESS METRIC WIRE SIZES FOR C&A	PL	JLM
8	5/27/98	REVISION TO DWG. ADDRESS METRIC WIRE SIZES FOR C&A	DB	BM
9	11/20/98	REVISION TO DWG. ADDRESS METRIC WIRE SIZES FOR C&A	BM	PL



TYPICAL LETTERING



SECTION A-A

VIEW OF TYPICAL SPACER USED WITH TYPICAL PRESSURE BAR AND BODY

SUPSEDES DRAWINGS: SD78307 5085473

UNIVERSAL SERVIT™

CAT NO. **KSU--(TABLE)** SCALE

DRAWN: P HARRICK 11/4/98 CHECKED: ERD 12/2/98 FILE SIZE

DSGN APPL. NFG APPL.

D.A. APPL. MFG APPL.

CAD FILE: SD41343-01.9 PW REF. N/A

FRAMATOME CONNECTORS USA INC. PROJECT:

BURNEDY ELECTRICAL

MANCHESTER, NH 03109 DRAWING NO. **SD41343** REV. **9**

U. S. A. SHEET 1 of 2

1-800-246-4175

REV. 051295

X-ON Electronics

Largest Supplier of Electrical and Electronic Components

Click to view similar products for [Cable Ties](#) category:

Click to view products by [FCT Electronics](#) manufacturer:

Other Similar products are found below :

[20093-0](#) [SJ-3463](#) [SJ3518FR-1x50](#) [SJ3526N-Beige-2"x50yd](#) [SJ3526N BLACK 58" X 50YD](#) [SJ3571](#) [SJ-3571-1"x50yd-Black](#) [20113-0](#)
[T56137](#) [3-350087-0](#) [CTB75X75BKA-C](#) [3722](#) [561-B110120](#) [561-EZAB580T](#) [561-EZS375B40](#) [561-N3510](#) [561-TA250125](#) [08350-0](#) [08443-0](#)
[08600-0](#) [10035-0](#) [10036-0](#) [10037-0](#) [10325-0](#) [10362-0](#) [10606-0](#) [561-EZ250](#) [561-EZ500](#) [561-EZ625](#) [561-EZ750](#) [561-TA00600](#) [SJ3519FR](#)
[BLACK 1X50](#) [SJ3527N-Beige-2"x50yd](#) [SJ3527N-LOOP-BLACK-1](#) [SJ3572-2"x50yd-Black](#) [157-00039](#) [3719](#) [SJ-3401 BLACK 1"](#) [08445-0](#)
[08582-0](#) [08386-0](#) [10431-0](#) [08359-0](#) [10056-0](#) [10620-0](#) [10345-0](#) [10344-0](#) [08416-0](#) [08384-0](#) [08401-0](#)