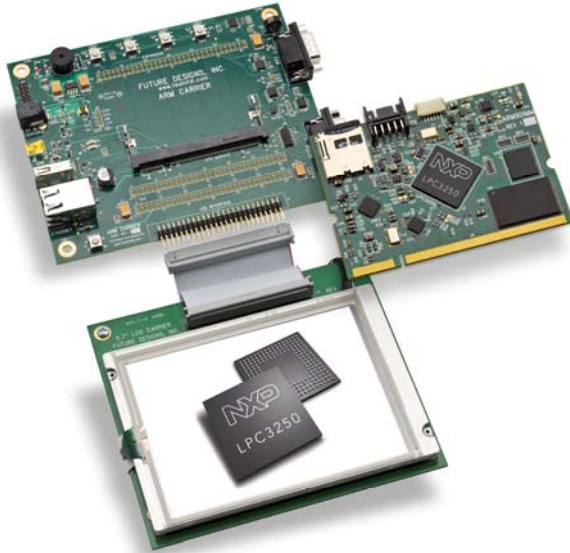


5.7" VGA Touch Screen LCD Kit

DK-57VTS-LPC3250

For the NXP LPC3250

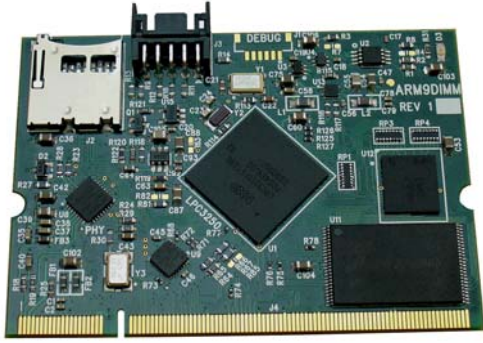


Highlights

- **SOMDIMM – CPU Module based on SODIMM form factor (Dual Inline Memory Module)**
 - **LPC3250 266MHz ARM926EJ-S based microcontroller**
 - **256KB of Internal SRAM, 512MB* NAND FLASH, 64MB* of External SDRAM**
 - **10/100 Ethernet PHY**
 - **Micro SD Memory Socket**
 - **Mini-JTAG Debug Connector**
- **CARRIER – Generic Carrier Board for CPU and LCD Modules**
 - **200-pin SOMDIMM Socket, supporting various processor modules**
 - **10/100 Ethernet Port, USB Host and Device ports**
 - **One RS-232 port (Male DB9), External I2C interface**
 - **3-axis Digital Accelerometer & Temperature Sensor**
 - **Real-time Clock with SuperCap backup**
 - **TFT interface for Graphics LCD displays up to 1024x768 resolution, 18-bit color**
 - **Flexible Power Supply input can be wall supply or 5V USB**
- **LCDCARRIER**
 - **5.7" VGA Display (640 x480) with Touch Screen Interface**
 - **Optional 3.5" or 5.7" QVGA board, up to 10.4" XGA Board**
- **Software Included**
 - **Linux Operating System**
 - **VMWare Development Virtual Machine Image**
 - **Linux Driver support: LCD frame buffer, Touch screen, NAND-Flash, SDRAM, MMC, USB, I2C, SPI, DMA, Ethernet, RS232, and RTC.**
- **Supplied with easy-to-use application documents for all hardware and software**
- **Platform is based on a modular design for maximum flexibility**
- **Additional CPU DIMM and LCD Carrier boards under development**

The DK-57VTS-LPC3250 is optimized to save development time in typical embedded control applications. The modular format uses a base Carrier Board, a core CPU SOMDIMM and an LCD Carrier Board. The base Carrier Board includes expansion connectors for added flexibility and a range of configurations. FDI offers low cost customization services for customer specific hardware, software or packaging applications at volumes of 500 units or more.

Features



SOMDIMM-LPC3250 Description

The SOMDIMM-LPC3250 includes an NXP LPC3250 ARM9EJ-S based microcontroller running the open source Linux software platform. The LPC3250 has 256KB of internal SRAM memory, a 10/100 Ethernet Media Access Controller (MAC), a USB full speed device/host/OTG controller, seven UARTs, and a collection of serial communications interfaces. The SOMDIMM-LPC3250 also includes 64MB* of external SDRAM and 512MB* of external NAND FLASH.

Actual PCB dimensions are 2.66" x 1.89"

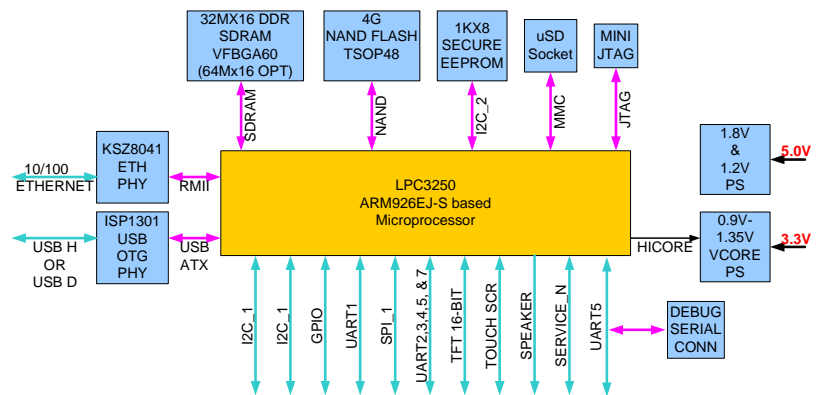
Software Included:

Linux Board Support Package

- Linux Operating System
- Bootloader (both primary boot loader and u-boot bootloader)
- VMWare Development Virtual Machine Image

Linux Drivers support:

- LCD frame buffer
- Touch Screen
- NAND-Flash, SDRAM, MMC
- USB, SPI, DMA, Ethernet, RS232, I2C, RTC.



SOMDIMM Block Diagram

Ordering Information

Part Number: DK-57VTS-LPC3250
NXP Part Number: OM11082
Suggested Resale Price: \$515.00(USD)
Order Online at: www.mouser.com

Warranty: 30-day money back guarantee
Phone 256-883-1240 Fax 256-883-1241
sales@teamfdi.com www.teamfdi.com

* Rev 2 SOMDIMM-LPC3250 and later

Kit Contents:

- SOMDIMM-LPC3250 Board
- CARRIER Board
- LCDCARRIER Board & 5.7" VGA LCD Touch Screen
- 5VDC, 2.3A North American Power Supply
- USB and Ethernet Cables
- Segger JTAG Debugger with cables

Download Users Manual, documents, schematics, and software examples at:

www.teamfdi.com/SOMDIMM-LPC3250

FDI *Future Designs, Inc.*
Your Development Partner

X-ON Electronics

Largest Supplier of Electrical and Electronic Components

Click to view similar products for [Development Boards & Kits - ARM category](#):

Click to view products by [FDI manufacturer](#):

Other Similar products are found below :

[SAFETI-HSK-RM48](#) [PICOHOBBITFL](#) [CC-ACC-MMK-2443](#) [EVALSPEAR320CPU](#) [TMDX570LS04HDK](#) [TXSD-SV70](#) [TXSD-SV71](#)
[YGRPEACHNORMAL](#) [PICODWARFFL](#) [YR8A77450HA02BG](#) [3580](#) [32F3348DISCOVERY](#) [ATTINY1607](#) [CURIOSITY NANO](#)
[PIC16F15376](#) [CURIOSITY NANO BOARD](#) [PIC18F47Q10](#) [CURIOSITY NANO](#) [VISIONSTK-6ULL V.2.0](#) [DEV-17717](#) [EAK00360](#)
[YR0K77210B000BE](#) [RTK7EKA2L1S00001BE](#) [SLN-VIZN-IOT](#) [LV18F V6 DEVELOPMENT SYSTEM](#) [READY FOR AVR BOARD](#)
[READY FOR PIC BOARD](#) [READY FOR PIC \(DIP28\)](#) [AVRPLC16 V6 PLC SYSTEM](#) [MIKROLAB FOR AVR XL](#) [MIKROLAB FOR PIC L](#)
[MINI-AT BOARD - 5V](#) [MINI-M4 FOR STELLARIS](#) [MOD-09.Z](#) [BUGGY + CLICKER 2 FOR PIC32MX + BLUETOOT](#) [1410](#) [LETS](#)
[MAKE PROJECT PROGRAM. RELAY PIC](#) [LETS MAKE - VOICE CONTROLLED LIGHTS](#) [LPC-H2294](#) [DSPIC-READY2 BOARD](#)
[DSPIC-READY3 BOARD](#) [MIKROBOARD FOR ARM 64-PIN](#) [MIKROLAB FOR AVR](#) [MIKROLAB FOR AVR L](#) [MIKROLAB FOR](#)
[DSPIC](#) [MIKROLAB FOR DSPIC XL](#) [MIKROLAB FOR PIC32](#) [MIKROLAB FOR TIVA](#) [EASYAVR V7](#) [EASYMX PRO FOR TIVA C](#)
[SERIES](#) [EASYMX PRO V7 FOR STM32](#) [EASYPIC FUSION V7](#) [MINI-32 BOARD](#)