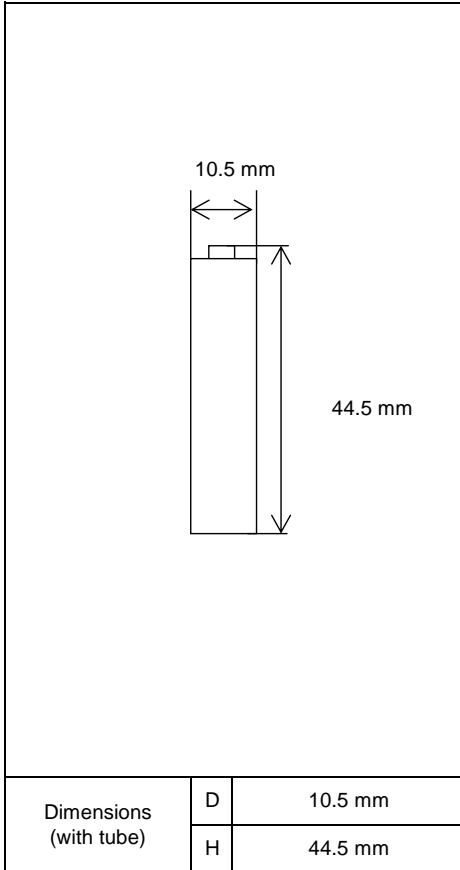


Specifications

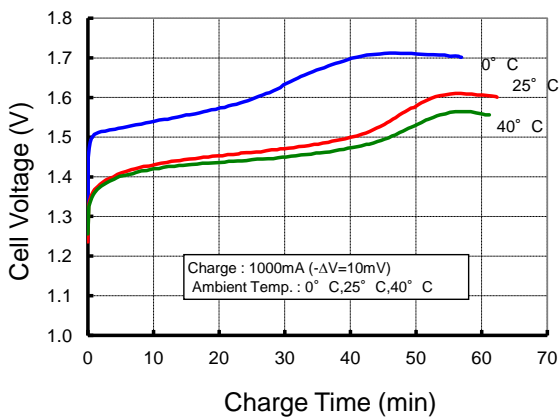


Type : Nickel-Metal Hydride Battery		Size : AAA Consumer Type
Capacity ¹⁾	Typical	1000mAh
	Minimum	930mAh
Nominal Voltage		1.2V
Charging Current x Time	Fast Charge ²⁾	1000 mA x about 1.1h
Ambient Temp.	Charge Condition	Fast Charge ²⁾ 0°C - 40°C
	Discharge Condition 0°C - 50°C	
	Storage Condition	Less than 30days
Less than 90days		-20°C - 40°C
Less than 1year		-20°C - 30°C
Internal Impedance ³⁾ (after discharge to E.V.=1.0V)		Approx. 40mΩ (at 1000Hz)
Weight ⁴⁾		Approx. 13 g
Size ⁴⁾ : (Diameter) x (Height)		10.5(D) x 44.5(H) mm

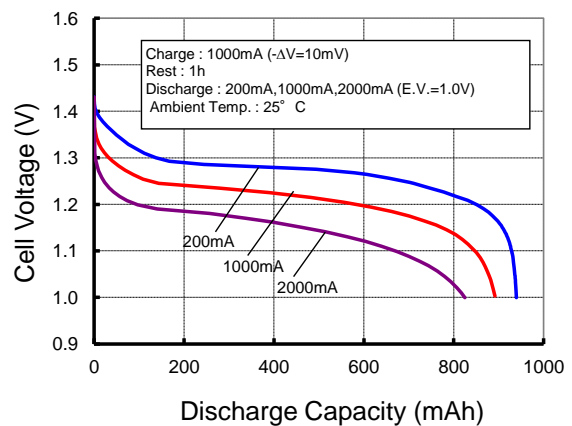
- 1) Single cell capacity under the following condition.
Charge : 100mA x 16h, Discharge : 200mA (E.V.=1.0V) at 20°C
- 2) Use recommended charging system.
- 3) After a few charge and discharge cycles under the above 1) condition.
- 4) With tube.

Typical Characteristics

Charge



Discharge



X-ON Electronics

Largest Supplier of Electrical and Electronic Components

Click to view similar products for [NiMH - Nickel Metal Hydride Battery](#) category:

Click to view products by [FDK Batteries](#) manufacturer:

Other Similar products are found below :

[HHR-75AAA/B](#) [BK-110FHB01](#) [NH1250AA](#) [NH-3000SC](#) [NH-2100A](#) [NH-600AAA](#) [NH-B320](#) [HHR-26SCPYP01](#) [NH-1500AA](#) [NH-1250AAL](#) [NH-7000D](#) [BK-200AAB9B](#) [BK-250AB01](#) [BK-80AAAB9B](#) [HHR-200AB20](#) [HHR-210AB18](#) [HHR-25SCHY03](#) [HHR-300CHA03](#)
[HHR-30SCPYP20](#) [HHR-370AHA05](#) [HHR-60AAAHB2](#)