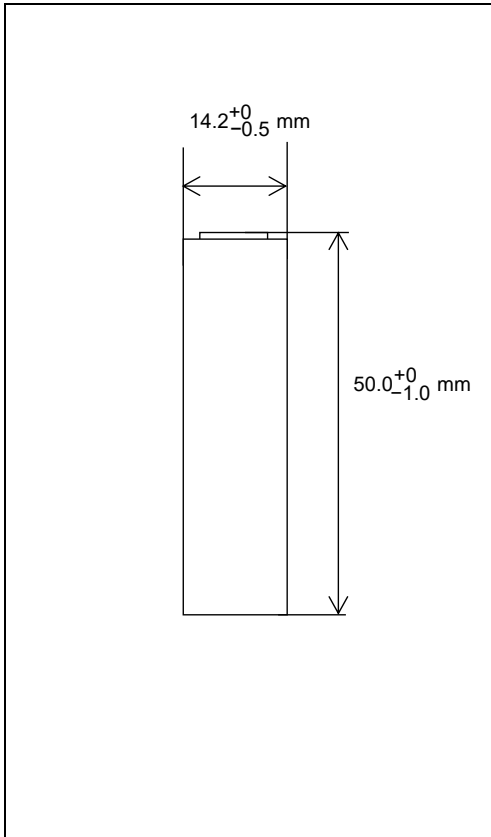


Data sheet

Dimensions



| | | |
|--|----------|------------------|
| Dimensions (including tube) | Diameter | 14.2 +0/ -0.5 mm |
| | Height | 50.0 +0/ -1.0 mm |
| Approx. Weight (including tube) | | 27 g |
| Approx. Internal Impedance at 1kHz 20°C ₅₎ | | 25 mΩ |

5) After 3 cycles of charge and discharge under the conditions of 1), followed by the measurement 1~4 hours later.

Capacity

| | |
|-----------------------|----------|
| Nominal ₁₎ | 1650 mAh |
| Minimum ₁₎ | 1500 mAh |

1)Single cell capacity under the following condition.

Charge : 150 mA x 16 hours, Discharge : 300 mA(E.V.=1.00 V) at 20 °C

General Specifications

| | | |
|---------------------------------|-----------------------------------|---|
| Nominal Voltage | | 1.2 V |
| End Voltage | | 1.00 V |
| Charging Current x Time | | Fast Charge ₂₎ 1650 mA x about 1.1 hours |
| Ambient Temp. | Charge Condition ₃₎ | Fast Charge ₂₎ 0 °C ~ +40 °C |
| | Discharge Condition ₃₎ | Recommended 0 °C ~ +50 °C |
| Relative Humidity ₄₎ | | 45 % ~ 85 % |

2)Use recommended charging system.

3)Charge or discharge on outside the recommended temperature range may generate the battery degradation.

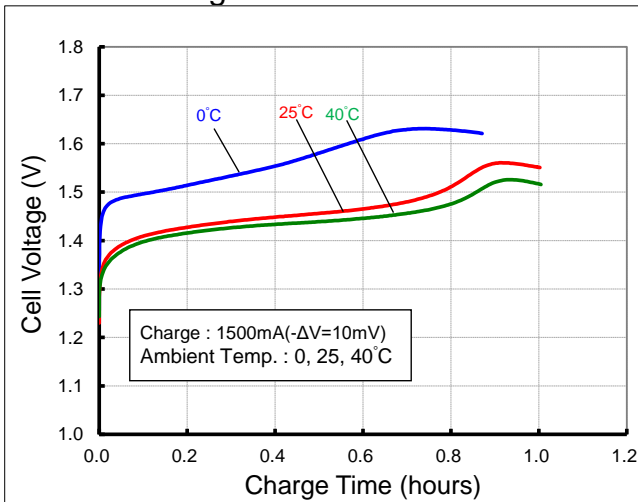
4)No water condensation.

Storage Conditions

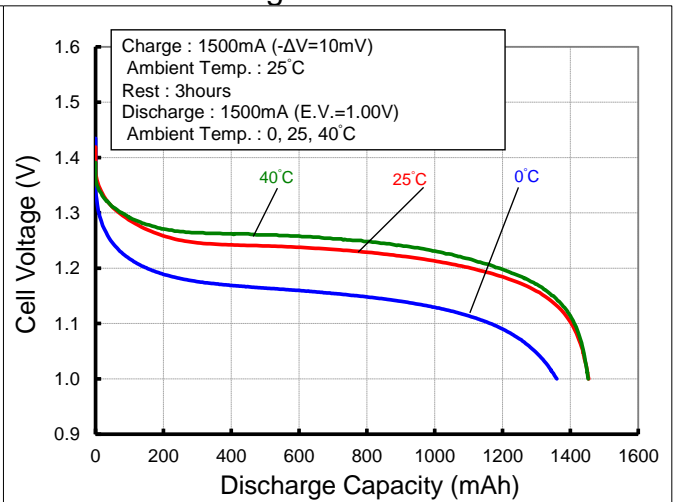
| | | |
|---------------------------------|-------------------|-----------------|
| Ambient Temp. | Less than 30 days | -20 °C ~ +50 °C |
| | Less than 90 days | -20 °C ~ +40 °C |
| | Less than 1 year | -20 °C ~ +30 °C |
| Relative Humidity ₆₎ | | 45 % ~ 85 % |

6)No water condensation.

Nominal Charge Characteristics



Nominal Discharge Characteristics



- Single cell performance and lifespan are greatly affected by usage and temperature conditions.
- Test results vary depending on individual cells.
- Each values included in this material are intended to describe performance. They are not guaranteed.

X-ON Electronics

Largest Supplier of Electrical and Electronic Components

Click to view similar products for [NiMH - Nickel Metal Hydride Battery](#) category:

Click to view products by [FDK Batteries](#) manufacturer:

Other Similar products are found below :

[HHR-75AAA/B](#) [BK-110FHB01](#) [NH1250AA](#) [NH-3000SC](#) [NH-2100A](#) [NH-600AAA](#) [NH-B320](#) [HHR-26SCPYP01](#) [NH-1500AA](#) [NH-1250AAL](#) [NH-7000D](#) [BK-200AAB9B](#) [BK-250AB01](#) [BK-80AAAB9B](#) [HHR-200AB20](#) [HHR-210AB18](#) [HHR-25SCHY03](#) [HHR-300CHA03](#)
[HHR-30SCPYP20](#) [HHR-370AHA05](#) [HHR-60AAAHB2](#)