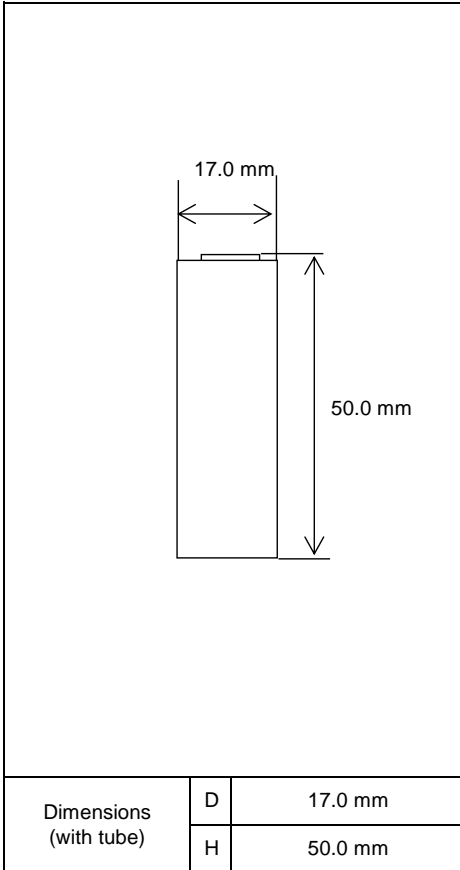


### Specifications

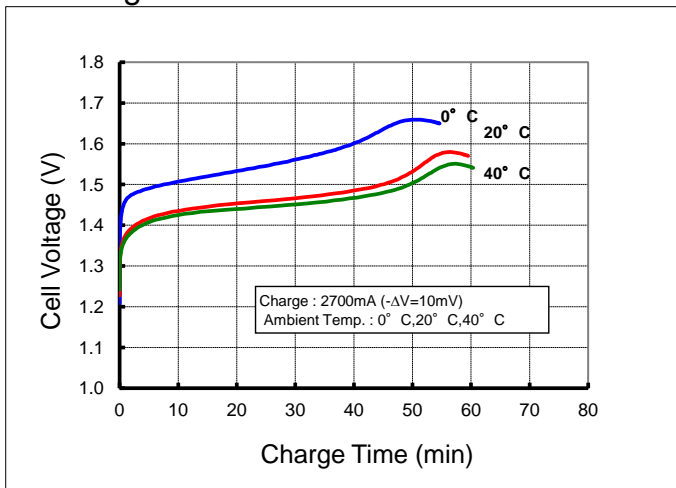


Type : Nickel-Metal Hydride Battery		Size : A	
Capacity <sup>1)</sup>	Typical	2700mAh	
	Minimum	2450mAh	
Nominal Voltage		1.2V	
Charging Current x Time	Fast Charge <sup>2)</sup>	2700 mA x about 1.1h	
Ambient Temp.	Charge Condition	Fast Charge <sup>2)</sup>	
	Discharge Condition		
	Storage Condition	Less than 30days	0°C ~ +40°C
		Less than 90days	0°C ~ +50°C
Less than 1year		-20°C ~ +50°C	
Internal Impedance <sup>3)</sup> (after discharge to E.V.=1.0V)		Approx. 20mΩ(at 1000Hz)	
Weight <sup>4)</sup>		Approx. 37 g	
Size <sup>4)</sup> : (Diameter) x (Height)		17.0(D) x 50.0(H) mm	

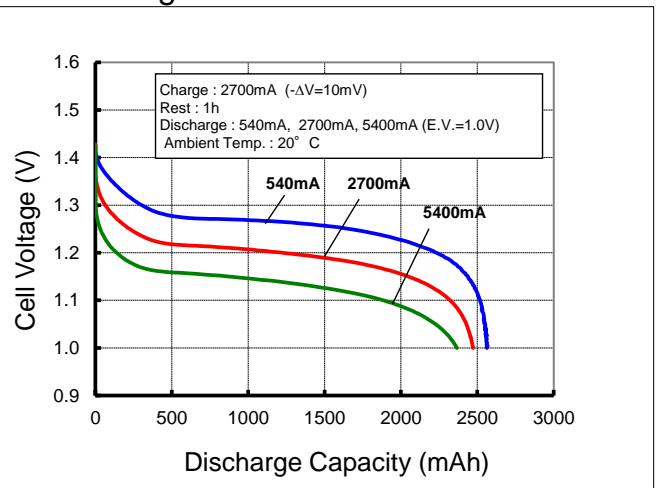
- 1) Single cell capacity under the following condition.  
Charge : 270mA x 16h, Discharge : 540mA (E.V.=1.0V) at 20°C
- 2) Use recommended charging system.
- 3) After a few charge and discharge cycles under the above 1) condition.
- 4) With tube.

### Typical Characteristics

#### Charge



#### Discharge



## **X-ON Electronics**

Largest Supplier of Electrical and Electronic Components

*Click to view similar products for [fdk batteries](#) manufacturer:*

Other Similar products are found below :

[FGMD12SR6020NA](#) [FGSD12SR6006NA](#) [FGSR12SR6003NA](#) [FGLD12SR6040NA](#) [FGSD12SR6003NA](#) [FGMS12SR6020NA](#)

[FGLS12SR6040NA](#) [HR-AAU](#)