



Negative Three Terminal Voltage Regulators

负三端稳压管

FHP79XXA

产品特性 Features

输出电压 Output Voltage	稳压管 Regulators
-5V	FHP7905A
-12V	FHP7912A
-15V	FHP7915A
最大输出电流 Max Output Current	1.5A
过载保护 Internal thermal overload protection	
短路电流限制 Internal short-current limiting	
输出端最大安全工作区域 Output transistor safe-area compensation	
输出电压精度在 4%以内 Output voltage offered in 4% tolerance	

封装形式 Package



1:GND 2:Input 3:Output

功能图 Functional diagram

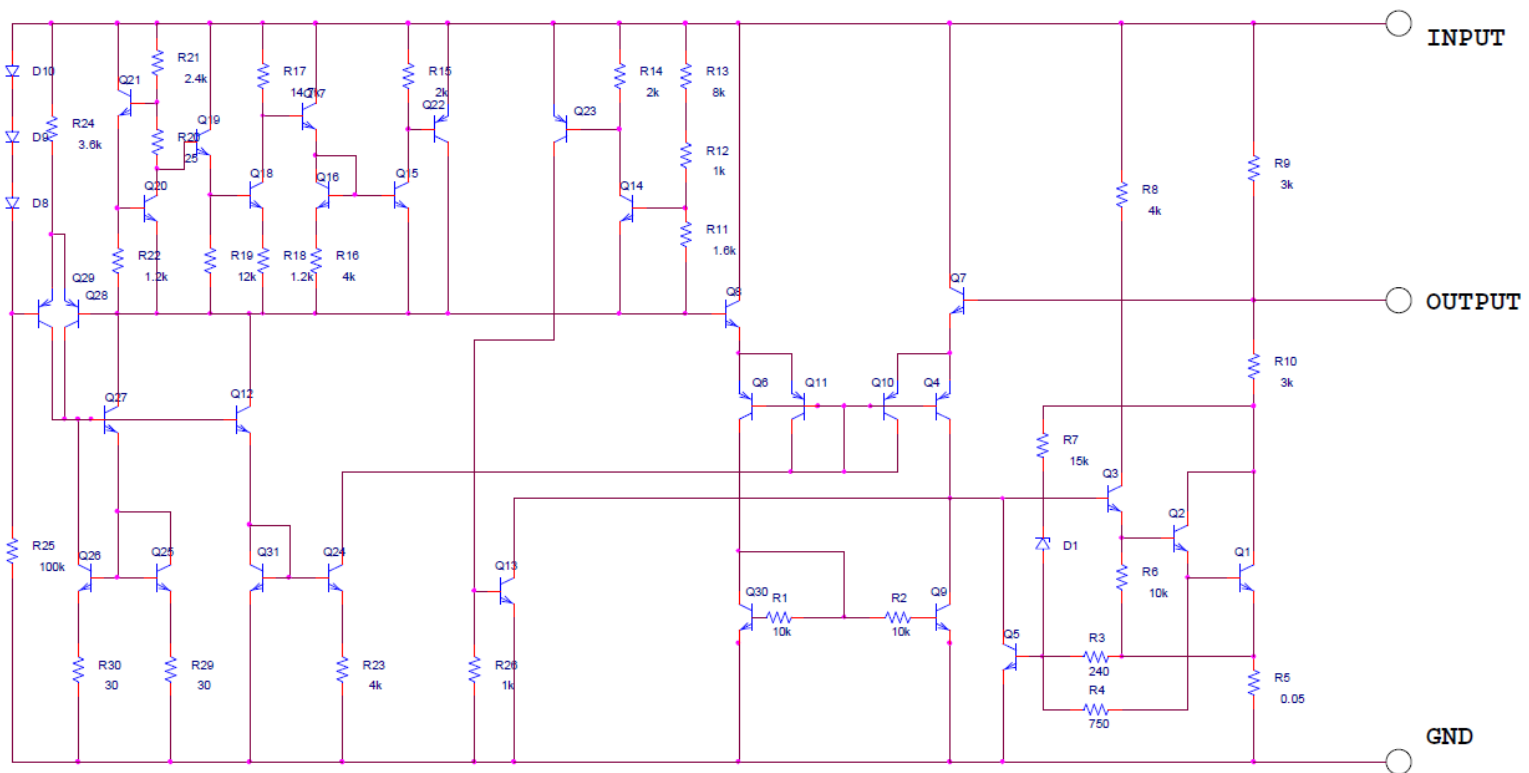
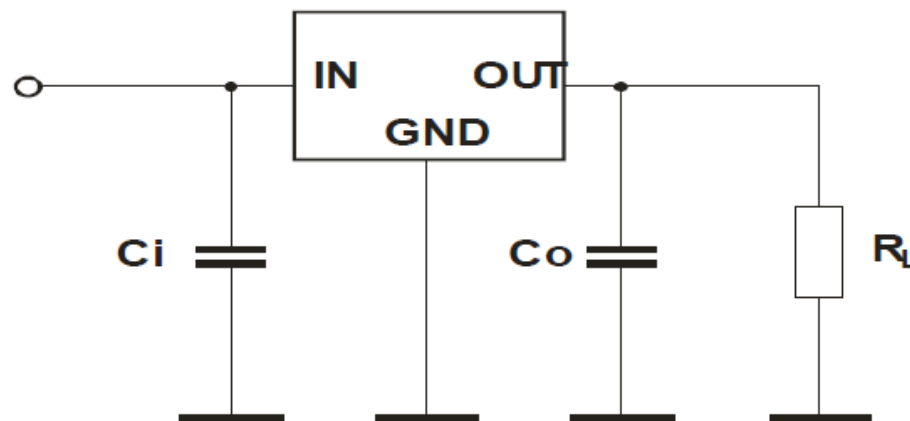


Fig.1

典型应用电路 Typical application circuit



$C_i = 0.33\mu\text{F}$, $C_o = 0.1\mu\text{F}$

Fig.2

绝对最大额定值 Absolute Maximum Rating (Ta = 25°C unless otherwise noted)

Parameter	Symbol	Limit		Unit
输入电压 Input Voltage	Vin	for -5V to -12V -15V	-35 -40	V
功率损耗 Power Dissipation	Pd	Internal Limited		W
结温 Junction Temperature	Tj	+125		°C
存储温度 Storage Temperature Range	Tstg	-65~+150		°C
结-壳的热阻 Thermal Resistance -Junction to Case	ReJC	5		°C/W
结-环境的热阻 Thermal Resistance -Junction to Ambient	ReJA	60		°C/W

FHP7905A电参数特性 Electrical Characteristics

(Vin = -10V, Iout = 500mA, 0°C ≤ Tj ≤ 125°C, Cin = 0.33μF, Cout = 0.1μF; unless otherwise specified.)

Parameter	Symbol	Test Condition	Min	Typ	Max	Unit
输出电压 Output voltage	Vout	Tj = 25°C -7.0V ≤ Vin ≤ -20V, 5mA ≤ Iout ≤ 1A, PD ≤ 15W	-4.80 -4.75	-5 -5	-5.20 -5.25	V
线性调节 Line Regulation	REGline	Tj = 25°C	--	8	100	mV
		-7.0V ≤ Vin ≤ -25V -8V ≤ Vin ≤ -12V	--	2	50	
负载调节 Load Regulation	REGload	Tj = 25°C	--	35	100	mV
		5mA ≤ Iout ≤ 1.5A 250mA ≤ Iout ≤ 750mA	--	10	50	
静态电流 Quiescent Current	Iq	Iout = 0, Tj = 25°C	--	3.2	8	mA
静态电流变化 Quiescent Current Change	ΔIq	-7.0V ≤ Vin ≤ -25V 5mA ≤ Iout ≤ 1A	--	--	1.3 0.5	
输出电压纹波 Output Noise Voltage	Vn	10Hz ≤ f ≤ 100KHz, Tj = 25°C	--	40	--	μV
浪涌衰减 Ripple Rejection Ratio	RR	f = 120Hz, ΔVi = 10V	62	74	--	dB
衰减电压 Voltage Drop	Vdrop	Iout = 1A, Tj = 25°C	--	2	--	V
短路电流 Output Short Circuit Current	Ios	Tj = 25°C	--	200	--	mA
峰值电流 Peak Output Current	Io peak	Tj = 25°C	--	2.2	--	A
输出电压特性 Temperature Coefficient of Output Voltage	ΔVout / ΔTj	Iout = 5mA, 0°C ≤ Tj ≤ 125°C	--	-0.2	--	mV / °C

FHP7912A电参数特性 Electrical Characteristics

($V_{in} = -19V$, $I_{out} = 500mA$, $0^{\circ}C \leq T_j \leq 125^{\circ}C$, $C_{in} = 0.33\mu F$, $C_{out} = 0.1\mu F$; unless otherwise specified.)

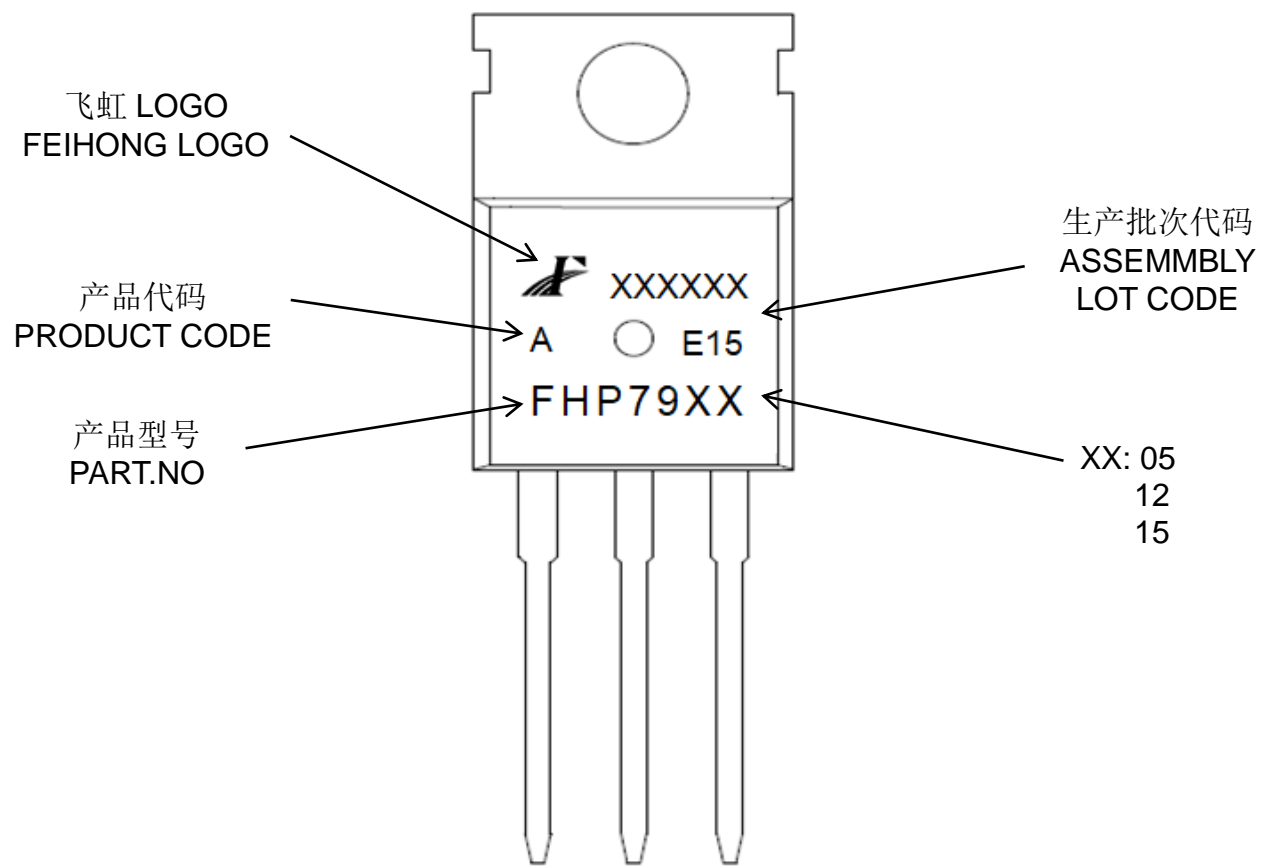
Parameter	Symbol	Test Condition	Min	Typ	Max	Unit	
输出电压 Output voltage	Vout	$T_j = 25^{\circ}C$	-11.5	-12	-12.5	V	
		$-15.5V \leq V_{in} \leq -27V$, $5mA \leq I_{out} \leq 1A$, $PD \leq 15W$	-11.4	-12	-12.6		
线性调节 Line Regulation	REGline	$T_j = 25^{\circ}C$	$-14.5V \leq V_{in} \leq -30V$	--	14	240	mV
			$-16V \leq V_{in} \leq -22V$	--	5	120	
负载调节 Load Regulation	REGload	$T_j = 25^{\circ}C$	$5mA \leq I_{out} \leq 1.5A$	--	40	240	mV
			$250mA \leq I_{out} \leq 750mA$	--	10	100	
静态电流 Quiescent Current	Iq	$I_{out} = 0$, $T_j = 25^{\circ}C$	--	3.2	8	mA	
静态电流变化 Quiescent Current Change	ΔIq	$-14.5V \leq V_{in} \leq -30V$ $5mA \leq I_{out} \leq 1A$	--	--	1.3 0.5		
输出电压纹波 Output Noise Voltage	Vn	$10Hz \leq f \leq 100KHz$, $T_j = 25^{\circ}C$	--	40	--	μV	
浪涌衰减 Ripple Rejection Ratio	RR	$f = 120Hz$, $\Delta V_i = 10V$	62	74	--	dB	
衰减电压 Voltage Drop	Vdrop	$I_{out} = 1A$, $T_j = 25^{\circ}C$	--	2	--	V	
短路电流 Output Short Circuit Current	Ios	$T_j = 25^{\circ}C$	--	200	--	mA	
峰值电流 Peak Output Current	I _{o peak}	$T_j = 25^{\circ}C$	--	2.2	--	A	
输出电压特性 Temperature Coefficient of Output Voltage	$\Delta V_{out} / \Delta T_j$	$I_{out} = 5mA$, $0^{\circ}C \leq T_j \leq 125^{\circ}C$	--	-0.2	--	mV/ $^{\circ}C$	

FHP7915A电参数特性 Electrical Characteristics

($V_{in} = -23V$, $I_{out} = 500mA$, $0^{\circ}C \leq T_j \leq 125^{\circ}C$, $C_{in} = 0.33\mu F$, $C_{out} = 0.1\mu F$; unless otherwise specified.)

Parameter	Symbol	Test Condition	Min	Typ	Max	Unit	
输出电压 Output voltage	Vout	$T_j = 25^{\circ}C$	-14.4	-15	-15.6	V	
		$-18V \leq V_{in} \leq -30V$, $5mA \leq I_{out} \leq 1A$, $PD \leq 15W$	-14.25	-15	-15.75		
线性调节 Line Regulation	REGline	$T_j = 25^{\circ}C$	$-17.5V \leq V_{in} \leq -30V$	--	15	300	mV
			$-20V \leq V_{in} \leq -26V$	--	5	150	
负载调节 Load Regulation	REGload	$T_j = 25^{\circ}C$	$5mA \leq I_{out} \leq 1.5A$	--	50	300	mV
			$250mA \leq I_{out} \leq 750mA$	--	10	150	
静态电流 Quiescent Current	Iq	$I_{out} = 0$, $T_j = 25^{\circ}C$	--	3.2	8	mA	
静态电流变化 Quiescent Current Change	ΔIq	$-7.0V \leq V_{in} \leq -25V$ $5mA \leq I_{out} \leq 1A$	--	--	1.3 0.5		
输出电压纹波 Output Noise Voltage	Vn	$10Hz \leq f \leq 100KHz$, $T_j = 25^{\circ}C$	--	40	--	μV	
浪涌衰减 Ripple Rejection Ratio	RR	$f = 120Hz$, $\Delta V_i = 10V$	62	74	--	dB	
衰减电压 Voltage Drop	Vdrop	$I_{out} = 1A$, $T_j = 25^{\circ}C$	--	2	--	V	
短路电流 Output Short Circuit Current	Ios	$T_j = 25^{\circ}C$	--	200	--	mA	
峰值电流 Peak Output Current	I _{o peak}	$T_j = 25^{\circ}C$	--	2.2	--	A	
输出电压特性 Temperature Coefficient of Output Voltage	$\Delta V_{out} / \Delta T_j$	$I_{out} = 5mA$, $0^{\circ}C \leq T_j \leq 125^{\circ}C$	--	-0.2	--	mV/ $^{\circ}C$	

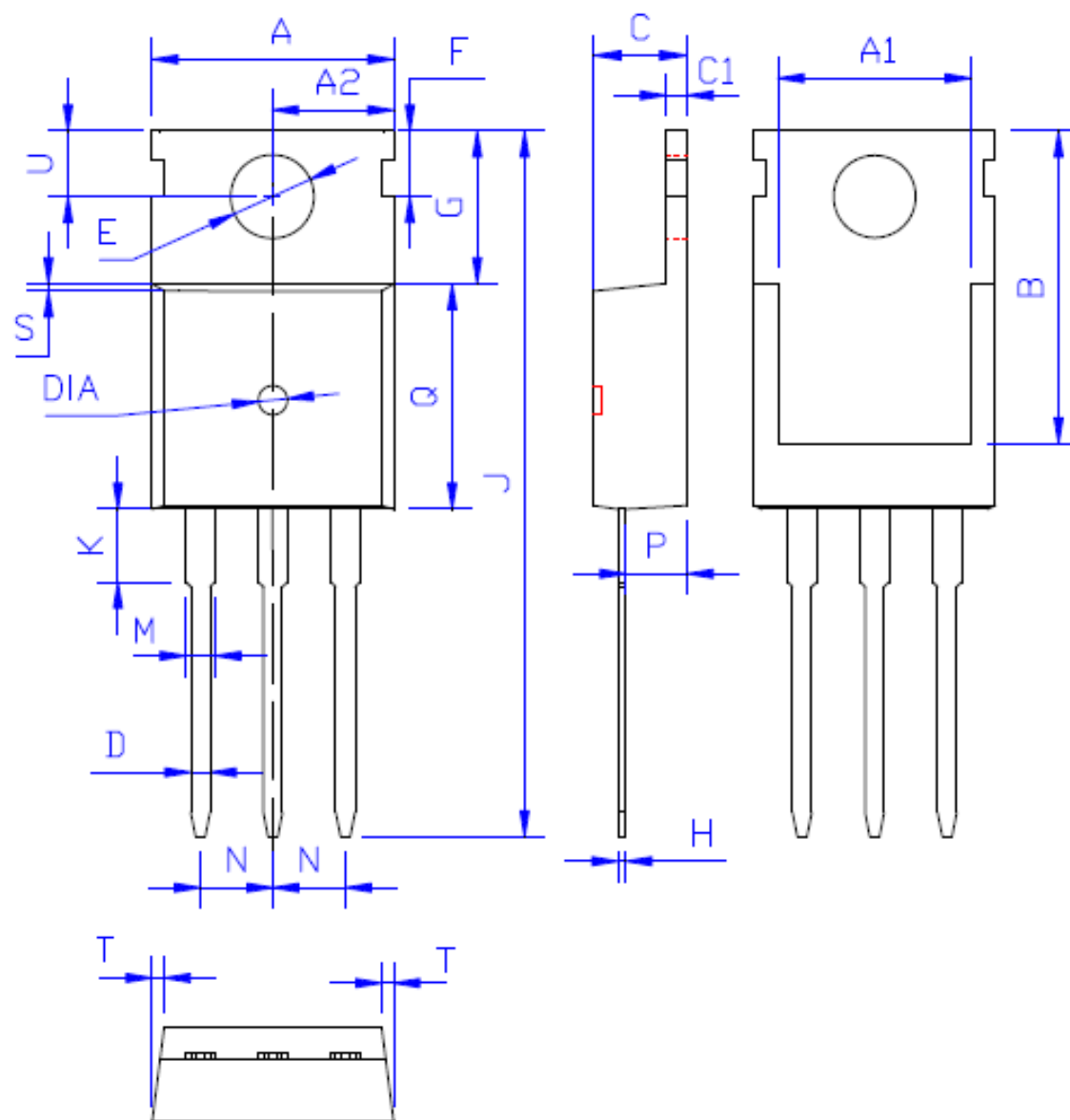
印记 Marking:



外形尺寸:

Package Dimension:

TO-220



DIM	MILLIMETERS
A	10.00 ± 0.30
A1	8.00 ± 0.30
A2	5.00 ± 0.30
B	13.20 ± 0.40
C	4.50 ± 0.20
C1	1.30 ± 0.20
D	0.80 ± 0.20
E	3.60 ± 0.20
F	3.00 ± 0.30
G	6.60 ± 0.40
H	0.50 ± 0.20
J	28.88 ± 0.50
K	3.00 ± 0.30
M	1.30 ± 0.30
N	Typical 2.54
P	2.40 ± 0.40
Q	9.20 ± 0.40
S	0.25 ± 0.15
T	0.25 ± 0.15
U	2.80 ± 0.30
DIA	宽 1.50 ± 0.10 深 0.50 MAX

(Unit: mm)

X-ON Electronics

Largest Supplier of Electrical and Electronic Components

Click to view similar products for [feihong](#) manufacturer:

Other Similar products are found below :

[FHD4N65D](#) [FHP740C](#) [FHF8N80B](#) [FHP10N60A](#) [FHF20N65A](#) [FHP3205B](#) [FHP830B](#) [FHP4N60A](#) [FHP13N50A](#) [FHA150N06C](#) [KA7812B](#)
[FHT5N60D](#) [FHD2N65D](#) [FHS90N08C](#) [FHA50N50A](#) [FHF18N50C](#) [FHP150N1F4A](#) [FHP1906A](#) [FHA20N65A](#) [FHA28N50A](#) [FHU4N60A](#)
[FHF2N60E](#) [TIP127C](#) [TIP41CA](#) [FHU70N03A](#) [FHF7N65A](#) [FHF5N60A](#) [FHP730A](#) [FHF7N60A](#) [FHF2N65D](#) [FHD5N65B](#) [FHS150N03A](#)
[FHU2N60A](#) [FHS80N07A](#) [FHF10100A](#) [FHP5N65B](#) [FHS150N1F4A](#) [FHA9N90D](#) [FHU4N65B](#) [FHP830A](#) [FHU2N65A](#) [FHF18N50A](#)
[FHF30100A](#) [FHF5N65B](#) [FHP30100A](#) [FHF20150A](#) [FHU4N60E](#) [FHP20200A](#) [FHP100N03B](#) [C2073B](#)