



Negative Three Terminal Voltage Regulators

负三端稳压管

KA79XXA

产品特性 Features

输出电压 Output Voltage	稳压管 Regulators
-5V	KA7905A
-12V	KA7912A
-15V	KA7915A
最大输出电流 Max Output Current	1.5A
过载保护 Internal thermal overload protection	
短路电流限制 Internal short-current limiting	
输出端最大安全工作区域 Output transistor safe-area compensation	
输出电压精度在 4%以内 Output voltage offered in 4% tolerance	

封装形式 Package



1 2 3

1:GND 2:Input 3:Output

功能图 Functional diagram

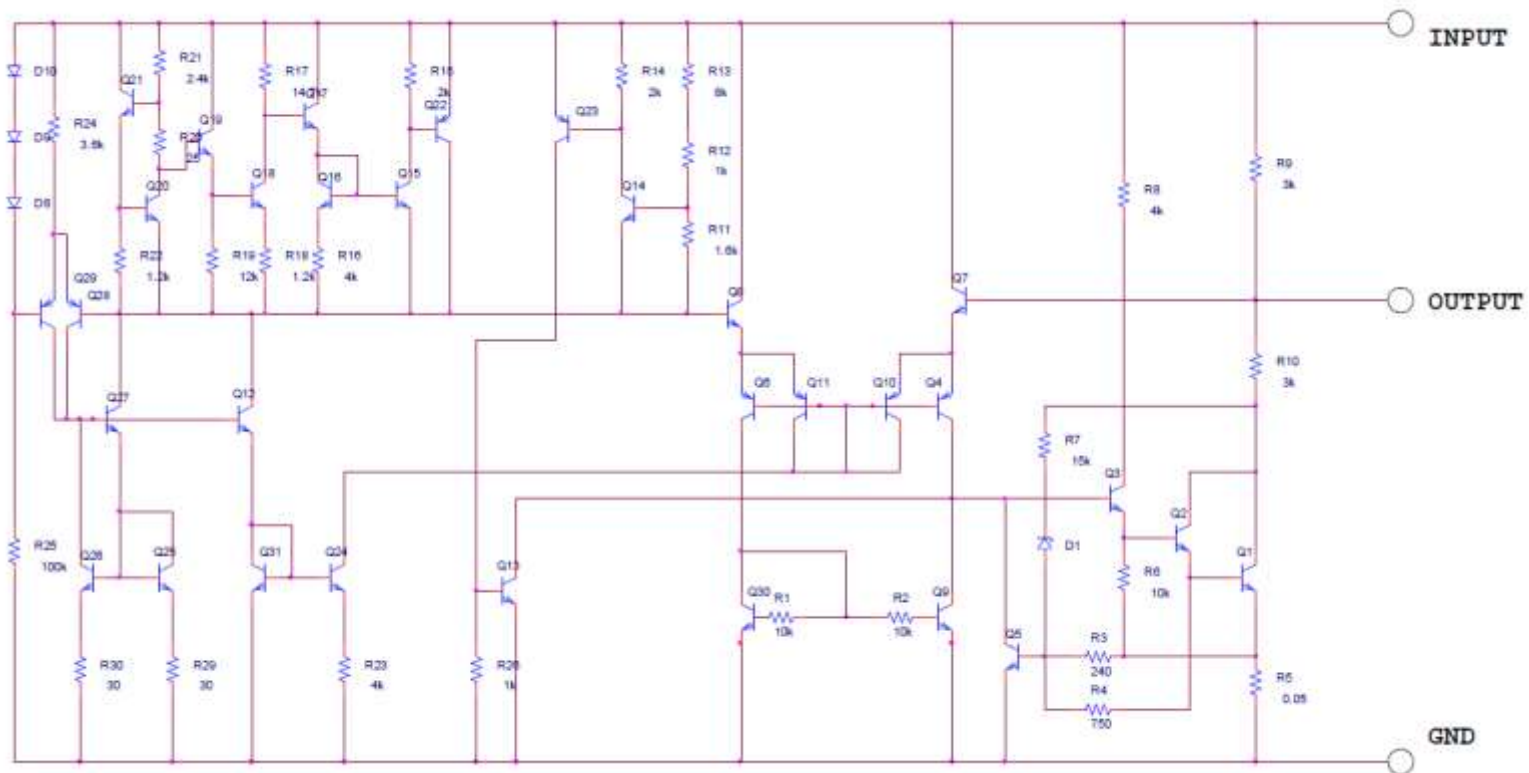
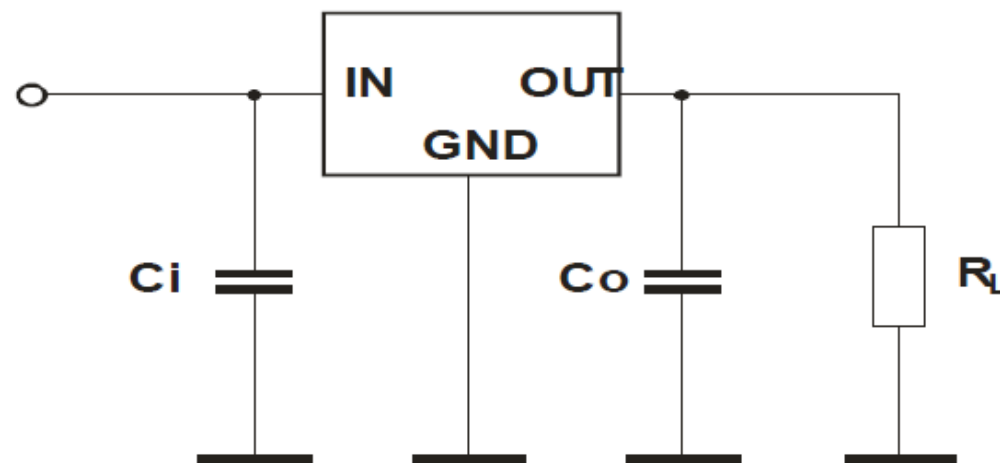


Fig.1

典型应用电路 Typical application circuit



$$C_i = 0.33\mu\text{F}, C_o = 0.1\mu\text{F}$$

Fig.2

绝对最大额定值 Absolute Maximum Rating (Ta = 25 °C unless otherwise noted)

Parameter	Symbol	Limit	Unit	
输入电压 Input Voltage	V _{in}	for -5V to -12V -15V	-35 -40	V
功率损耗 Power Dissipation	P _D	Internal Limited	W	
结温 Junction Temperature	T _j	+125	°C	
存储温度 Storage Temperature Range	T _{STG}	-65~+150	°C	
结-壳的热阻 Thermal Resistance -Junction to Case	R _{θJC}	5	°C/W	
结-环境的热阻 Thermal Resistance -Junction to Ambient	R _{θJA}	60	°C/W	

KA7905A电参数特性 Electrical Characteristics

(V_{in} = -10V, I_{out} = 500mA, 0 °C ≤ T_j ≤ 125 °C, C_{in} = 0.33μF, C_{out} = 0.1μF; unless otherwise specified.)

Parameter	Symbol	Test Condition	Min	Typ	Max	Unit
输出电压 Output voltage	V _{out}	T _j = 25 °C -7.0V ≤ V _{in} ≤ -20V, 5mA ≤ I _{out} ≤ 1A, P _D ≤ 15W	-4.80 -4.75	-5 -5	-5.20 -5.25	V
线性调节 Line Regulation	REG _{line}	T _j = 25 °C -7.0V ≤ V _{in} ≤ -25V -8V ≤ V _{in} ≤ -12V	-- --	8 2	100 50	mV
负载调节 Load Regulation	REG _{load}	T _j = 25 °C 5mA ≤ I _{out} ≤ 1A 250mA ≤ I _{out} ≤ 750mA	-- --	35 10	100 50	mV
静态电流 Quiescent Current	I _q	I _{out} = 0, T _j = 25 °C	--	3.2	8	mA
静态电流变化 Quiescent Current Change	ΔI _q	-7.0V ≤ V _{in} ≤ -25V 5mA ≤ I _{out} ≤ 1A	-- --	-- --	1.3 0.5	mA
输出电压纹波 Output Noise Voltage	V _n	10Hz ≤ f ≤ 100KHz, T _j = 25 °C	--	40	--	μV
浪涌衰减 Ripple Rejection Ratio	RR	f = 120Hz, -8V ≤ V _{in} ≤ -18V	62	74	--	dB
衰减电压 Voltage Drop	V _{drop}	I _{out} = 1A, T _j = 25 °C	--	2	--	V
短路电流 Output Short Circuit Current	I _{os}	T _j = 25 °C	--	200	--	mA
峰值电流 Peak Output Current	I _{o peak}	T _j = 25 °C	--	2.2	--	A
输出电压特性 Temperature Coefficient of Output Voltage	ΔV _{out} / ΔT _j	I _{out} = 5mA, 0 °C ≤ T _j ≤ 125 °C	--	-0.2	--	mV/°C

KA7912A电参数特性 Electrical Characteristics

($V_{in} = -19V$, $I_{out} = 500mA$, $0^{\circ}C \leq T_j \leq 125^{\circ}C$, $C_{in} = 0.33\mu F$, $C_{out} = 0.1\mu F$; unless otherwise specified.)

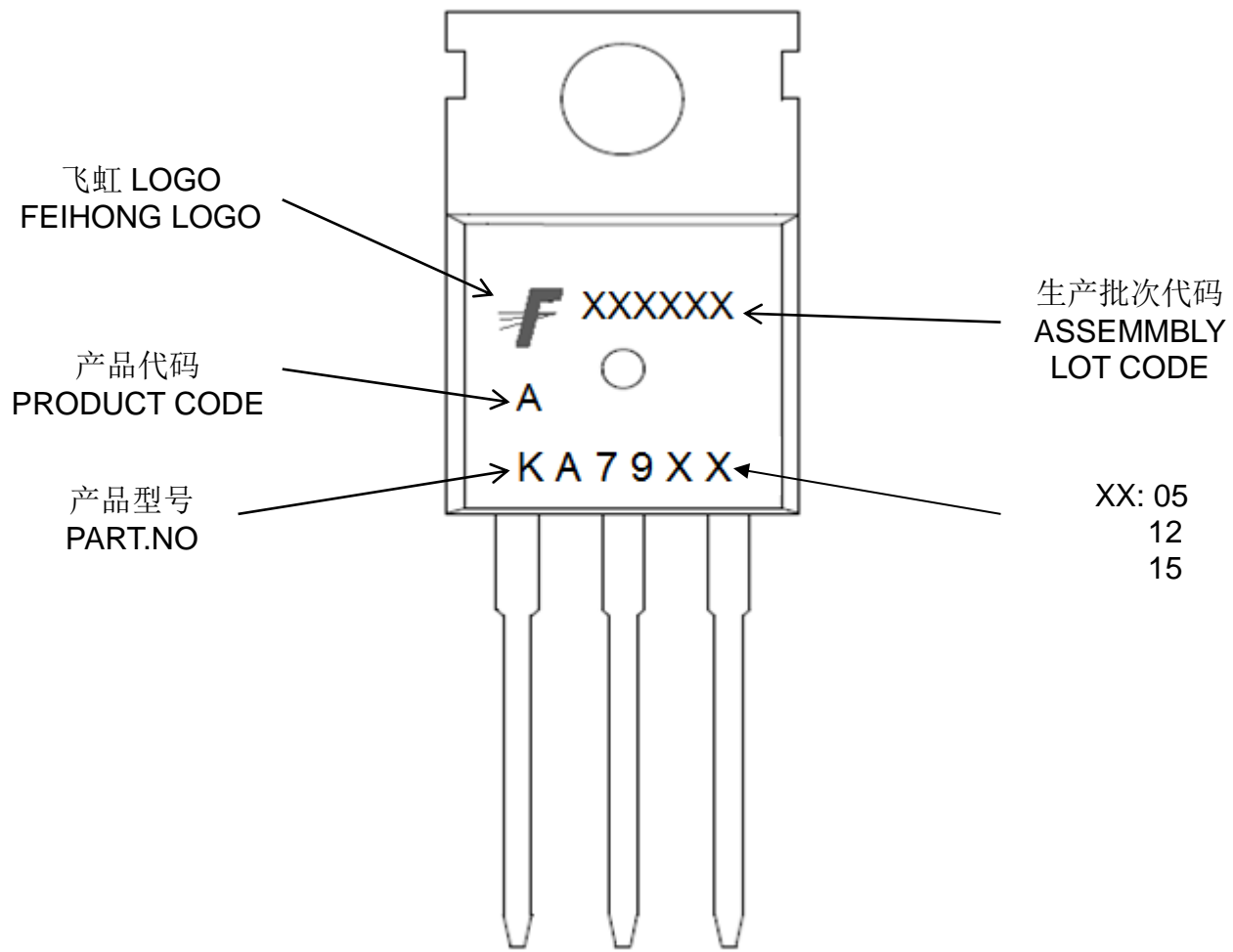
Parameter	Symbol	Test Condition	Min	Typ	Max	Unit	
输出电压 Output voltage	Vout	$T_j = 25^{\circ}C$	-11.5	-12	-12.5	V	
		$-7.0V \leq V_{in} \leq -20V$, $5mA \leq I_{out} \leq 1A$, $PD \leq 15W$	-11.4	-12	-12.6		
线性调节 Line Regulation	REGline	$T_j = 25^{\circ}C$	$-14.5V \leq V_{in} \leq -30V$	--	14	240	mV
			$-16V \leq V_{in} \leq -22V$	--	5	120	
负载调节 Load Regulation	REGload	$T_j = 25^{\circ}C$	$5mA \leq I_{out} \leq 1A$	--	40	240	mV
			$250mA \leq I_{out} \leq 750mA$	--	10	100	
静态电流 Quiescent Current	Iq	$I_{out} = 0$, $T_j = 25^{\circ}C$	--	3.2	8	mA	
静态电流变化 Quiescent Current Change	ΔIq	$-7.0V \leq V_{in} \leq -25V$	--	--	1.3		
		$5mA \leq I_{out} \leq 1A$	--	--	0.5		
输出电压纹波 Output Noise Voltage	Vn	$10Hz \leq f \leq 100KHz$, $T_j = 25^{\circ}C$	--	40	--	μV	
浪涌衰减 Ripple Rejection Ratio	RR	$f = 120Hz$, $-8V \leq V_{in} \leq -18V$	62	74	--	dB	
衰减电压 Voltage Drop	Vdrop	$I_{out} = 1A$, $T_j = 25^{\circ}C$	--	2	--	V	
短路电流 Output Short Circuit Current	Ios	$T_j = 25^{\circ}C$	--	200	--	mA	
峰值电流 Peak Output Current	I _{o peak}	$T_j = 25^{\circ}C$	--	2.2	--	A	
输出电压特性 Temperature Coefficient of Output Voltage	$\Delta V_{out} / \Delta T_j$	$I_{out} = 5mA$, $0^{\circ}C \leq T_j \leq 125^{\circ}C$	--	-0.2	--	mV/ $^{\circ}C$	

KA7915A电参数特性 Electrical Characteristics

($V_{in} = -19V$, $I_{out} = 500mA$, $0^{\circ}C \leq T_j \leq 125^{\circ}C$, $C_{in} = 0.33\mu F$, $C_{out} = 0.1\mu F$; unless otherwise specified.)

Parameter	Symbol	Test Condition	Min	Typ	Max	Unit	
输出电压 Output voltage	Vout	$T_j = 25^{\circ}C$	-14.4	-15	-15.6	V	
		$-7.0V \leq V_{in} \leq -20V$, $5mA \leq I_{out} \leq 1A$, $PD \leq 15W$	-14.25	-15	-15.75		
线性调节 Line Regulation	REGline	$T_j = 25^{\circ}C$	$-17.5V \leq V_{in} \leq -30V$	--	15	300	mV
			$-20V \leq V_{in} \leq -26V$	--	5	150	
负载调节 Load Regulation	REGload	$T_j = 25^{\circ}C$	$5mA \leq I_{out} \leq 1A$	--	50	300	mV
			$250mA \leq I_{out} \leq 750mA$	--	10	150	
静态电流 Quiescent Current	Iq	$I_{out} = 0$, $T_j = 25^{\circ}C$	--	3.2	8	mA	
静态电流变化 Quiescent Current Change	ΔIq	$-7.0V \leq V_{in} \leq -25V$	--	--	1.3		
		$5mA \leq I_{out} \leq 1A$	--	--	0.5		
输出电压纹波 Output Noise Voltage	Vn	$10Hz \leq f \leq 100KHz$, $T_j = 25^{\circ}C$	--	40	--	μV	
浪涌衰减 Ripple Rejection Ratio	RR	$f = 120Hz$, $-8V \leq V_{in} \leq -18V$	62	74	--	dB	
衰减电压 Voltage Drop	Vdrop	$I_{out} = 1A$, $T_j = 25^{\circ}C$	--	2	--	V	
短路电流 Output Short Circuit Current	Ios	$T_j = 25^{\circ}C$	--	200	--	mA	
峰值电流 Peak Output Current	I _{o peak}	$T_j = 25^{\circ}C$	--	2.2	--	A	
输出电压特性 Temperature Coefficient of Output Voltage	$\Delta V_{out} / \Delta T_j$	$I_{out} = 5mA$, $0^{\circ}C \leq T_j \leq 125^{\circ}C$	--	-0.2	--	mV/ $^{\circ}C$	

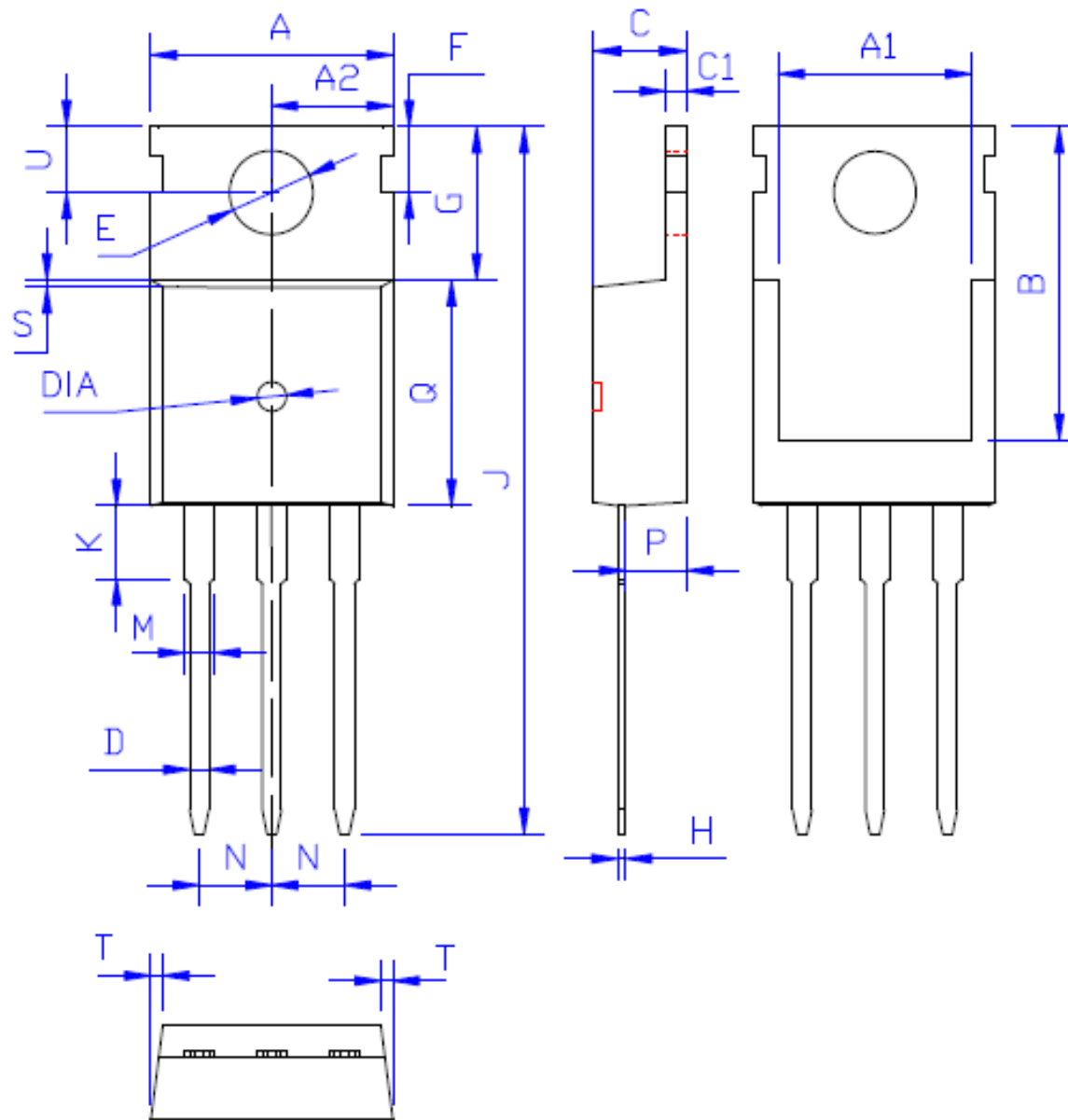
印记 Marking:



外形尺寸:

Package Dimension:

TO-220



DIM	MILLIMETERS
A	10.00 ± 0.30
A1	8.00 ± 0.30
A2	5.00 ± 0.30
B	13.20 ± 0.40
C	4.50 ± 0.20
C1	1.30 ± 0.20
D	0.80 ± 0.20
E	3.60 ± 0.20
F	3.00 ± 0.30
G	6.60 ± 0.40
H	0.50 ± 0.20
J	28.88 ± 0.50
K	3.00 ± 0.30
M	1.30 ± 0.30
N	Typical 2.54
P	2.40 ± 0.40
Q	9.20 ± 0.40
S	0.25 ± 0.15
T	0.25 ± 0.15
U	2.80 ± 0.30
DIA	宽 1.50 ± 0.10 深 0.50 MAX

(Unit: mm)

X-ON Electronics

Largest Supplier of Electrical and Electronic Components

Click to view similar products for [Linear Voltage Regulators](#) category:

Click to view products by [FeiHong](#) manufacturer:

Other Similar products are found below :

[LV56831P-E](#) [LV5684PVD-XH](#) [MCDTSA6-2R](#) [L4953G](#) [L7815ACV-DG](#) [PQ3DZ53U](#) [LV56801P-E](#) [TCR3DF13,LM\(CT](#)
[TCR3DF39,LM\(CT](#) [TLE42794G](#) [L78L05CZ/1SX](#) [L78LR05DL-MA-E](#) [L78MR05-E](#) [033150D](#) [033151B](#) [090756R](#) [636416C](#)
[NCV78M15BDTG](#) [702482B](#) [714954EB](#) [TLE42794GM](#) [TLE42994GM](#) [ZMR500QFTA](#) [BA033LBSG2-TR](#) [NCV78M05ABDTRKG](#)
[NCV78M08BDTRKG](#) [NCP7808TG](#) [NCV571SN12T1G](#) [LV5680P-E](#) [CAJ24C256YI-GT3](#) [L78M15CV-DG](#) [L9474N](#)
[TLS202B1MBV33HTSA1](#) [L79M05T-E](#) [NCP571SN09T1G](#) [MAX15006AASA/V+](#) [MIC5283-5.0YML-T5](#) [L4969URTR-E](#) [L78LR05D-MA-E](#)
[NCV7808BDTRKG](#) [L9466N](#) [NCP7805ETG](#) [SC7812CTG](#) [NCV7809BTG](#) [NCV571SN09T1G](#) [NCV317MBTG](#) [MC78M15CDTT5G](#)
[MC78M12CDTT5G](#) [L9468N](#) [LT1054IS8#TRPBF](#)