

# DATA SHEET

**TX36/23/15**  
**Soft Ferrites**

Supersedes data of September 2004

2008 Sep 01

**RING CORES (TOROIDS)**

**Effective core parameters**

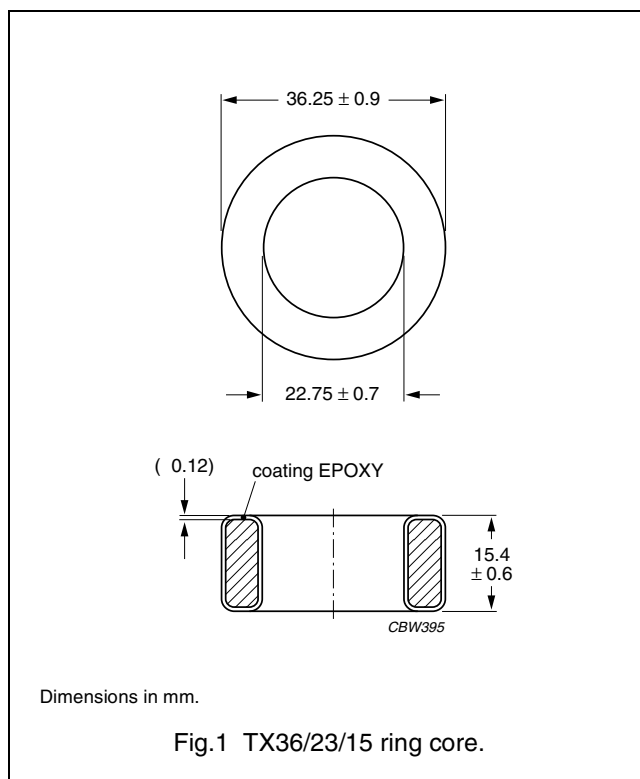
SYMBOL	PARAMETER	VALUE	UNIT
$\Sigma(l/A)$	core factor (C1)	0.919	mm <sup>-1</sup>
$V_e$	effective volume	8740	mm <sup>3</sup>
$l_e$	effective length	89.7	mm
$A_e$	effective area	97.5	mm <sup>2</sup>
m	mass of core	≈ 40	g

**Coating**

The cores are coated with epoxy, flame retardant in accordance with "UL 94V-0"; UL file number E 228348. The colour is white. Maximum operating temperature is 200 °C.

**Isolation voltage**

DC isolation voltage: 2000 V. Contacts are applied on the edge of the ring core, which is also the critical point for the winding operation.



**Ring core data**

GRADE	$A_L$ (nH)	$\mu_i$	TYPE NUMBER
4C65	170 ± 25%	≈ 125	TX36/23/15-4C65
4A11	940 ± 25%	≈ 700 <sup>(1)</sup>	TX36/23/15-4A11
3R1 <sup>(2)</sup>	—	≈ 800	TX36/23/15-3R1
3S4 <span style="background-color: black; color: white; padding: 0 2px;">des</span>	2285 ± 25%	≈ 1700	TX36/23/15-3S4
3F3	2420 ± 25%	≈ 1800	TX36/23/15-3F3
3C90	3090 ± 20%	≈ 2300	TX36/23/15-3C90
3C81	3670 ± 20%	≈ 2700	TX36/23/15-3C81
3C11	5800 ± 25%	≈ 4300	TX36/23/15-3C11
3E25	7390 ± 25%	≈ 5500	TX36/23/15-3E25
3E27 <span style="background-color: black; color: white; padding: 0 2px;">des</span>	6800 ± 20%	≈ 5000	TX36/23/15-3E27
3E5	11400 ± 30%	≈ 8500	TX36/23/15-3E5
3E6	13600 ± 30%	≈ 10400	TX36/23/15-3E6

1. Old permeability specification maintained.
2. Due to the rectangular BH-loop of 3R1, inductance values strongly depend on the magnetic state of the ring core and measuring conditions. Therefore no  $A_L$  value is specified. For the application in magnetic amplifiers  $A_L$  is not a critical parameter.

**WARNING**

Do not use 3R1 cores close to their mechanical resonant frequency. For more information refer to "3R1" material specification in this data handbook.

**Properties of cores under power conditions**

GRADE	B (mT) at	CORE LOSS (W) at		
	H = 250 A/m; f = 25 kHz; T = 100 °C	f = 25 kHz; $\hat{B}$ = 200 mT; T = 100 °C	f = 100 kHz; $\hat{B}$ = 100 mT; T = 100 °C	f = 400 kHz; $\hat{B}$ = 50 mT; T = 100 °C
3C81	≥320	≤ 1.7	–	–
3C90	≥320	≤ 0.96	≤ 0.96	–
3F3	≥320	–	≤0.95	≤1.7




**DATA SHEET STATUS DEFINITIONS**

DATA SHEET STATUS	PRODUCT STATUS	DEFINITIONS
Preliminary specification	Development	This data sheet contains preliminary data. Ferroxcube reserves the right to make changes at any time without notice in order to improve design and supply the best possible product.
Product specification	Production	This data sheet contains final specifications. Ferroxcube reserves the right to make changes at any time without notice in order to improve design and supply the best possible product.

**DISCLAIMER**

**Life support applications** — These products are not designed for use in life support appliances, devices, or systems where malfunction of these products can reasonably be expected to result in personal injury. Ferroxcube customers using or selling these products for use in such applications do so at their own risk and agree to fully indemnify Ferroxcube for any damages resulting from such application.

**PRODUCT STATUS DEFINITIONS**

STATUS	INDICATION	DEFINITION
<b>Prototype</b>		These are products that have been made as development samples for the purposes of technical evaluation only. The data for these types is provisional and is subject to change.
<b>Design-in</b>		These products are recommended for new designs.
<b>Preferred</b>		These products are recommended for use in current designs and are available via our sales channels.
<b>Support</b>		These products are <b>not</b> recommended for new designs and may not be available through all of our sales channels. Customers are advised to check for availability.

## X-ON Electronics

Largest Supplier of Electrical and Electronic Components

*Click to view similar products for [Ferrite Toroids / Ferrite Rings](#) category:*

*Click to view products by [Ferroxcube](#) manufacturer:*

Other Similar products are found below :

[5943001601](#) [28B0200-4](#) [28B0250-1](#) [29D3800-000](#) [28B0137-3](#) [4327 018 35221](#) [432703013571](#) [432703033201](#) [4327 030 37511](#) [4327 030 37911](#) [4327 030 57161](#) [432703057191](#) [B62152P0007X030](#) [432202090241](#) [432202101631](#) [432202133882](#) [432703012441](#) [4327 030 12521](#) [4327 030 57111](#) [5343232001](#) [5943000901](#) [432703034521](#) [5961004101](#) [5961000621](#) [4078034621](#) [4077378111](#) [28B1250-2](#) [28B2000-3](#) [28B1387-1](#) [B64291A1304X000](#) [28B2400-0](#) [B64290A0699X010](#) [5510-017](#) [5961000811](#) [CBCT-35-1](#) [CBCT-120-1](#) [CBCT-70-1](#) [5977004801](#) [5976000201](#) [5968003801](#) [5975011101](#) [5977000501](#) [5978008001](#) [28B0355-0](#) [7427018](#) [M-060](#) [CST29/19/7.5-4S2](#) [T9X8X5](#) [4077485111](#)  
[TN10/6/4-3F3](#)