



F&F Filipowski sp. j.
 Konstytucyjna 79/81 95-200 Pabianice
 phone/fax: (+48 42) 215 23 83 / 227 09 71 POLAND
 http://www.fif.com.pl e-mail: fif@fif.com.pl

MICROWAVE MOTION DETECTOR

DRM-02

WARRANTY. The F&F products are covered by a warranty of the 24 months from the date of purchase. Effective only with proof of purchase. Contact your dealer or directly with us. More information how to make a complaint can be found on the website: www.fif.com.pl/reklamacja



Do not dispose of this device to a garbage bin with other unsorted waste! In accordance with the Waste Electrical and Electronic Equipment Act any household electro-waste can be turned in free of charge and in any quantity to a collection point established for this purpose, as well as to the store in the event of purchasing new equipment (as per the old for new rule, regardless of brand). Electro-waste thrown in the garbage bin or abandoned in the bosom of nature pose a threat to the environment and human health.



Purpose

The motion detector is used for automatic, temporary lighting attach if a person or another object appears in detector's range in places such as hallways, courtyards, approaches and driveways, garages, etc.

Microwave sensor allows for motion detection by wooden boards, plasterboard panels, glass and plastics.

Functioning

DRM sensor emits and bounces high-frequency 5.8 GHz electromagnetic waves. The sensor detects changes in the reflected waves caused by movement of the object in the area of detection. The sensor detects movement of an object to and from the sensor. Movement in the range of detection will automatically attach the lighting for time set by the user. After this time the lights will be turned off automatically. The motion sensor is equipped with light dependant relay able to attaching lighting during the day. Detection status and standby to attach lights are activated only after dusk. Sensor activation time might be adjust by the user.

In addition, there is a possibility of adjustment of the detection area in range 3-10 m (for h= 2.5 m) and the receiver actuation time adjustment to 8 s ÷ 12 min. The inclusion of the receiver is signaled by a shining green LED. Sensor can work indoors. The sensor allows for motion detection by wooden boards, plasterboard panels, glass and plastics. Temperature changes do not affect on motion detection

ATTENTION!

The power of microwave radiation is relatively low and is completely safe for humans and animals. Its value is less than 10 mW. By comparison, microwaves and cell phones radiate about 1000mW of power (100 times harder).

Settings

Detection range

Radius of the sensor detection can be adjusted in the range from 2 m to 10 m (the parameters for the sensor mounted at a height of 2.5 m). Rotate the knob to the right [max] increases the area of a field of detection, rotate left [min] reduces the area of the field detection.

Actuation time

Receiver's actuation time can be adjusted between 8 s for 12 min. Rotate knob to the right [max] increases ON time, rotate left [min] reduces the attached time. After a set time receiver is turned off automatically.

Sensitivity of light dependant relay

Sensitivity of light dependant relay can be adjusted in range from 2 Lx to 2000 Lx. Rotate the knob toward to the „moon” sign - attached later, rotation to the „sun” sign - attached earlier. In order to sensor was active throughout the day, set the knob maximally toward the „sun”.

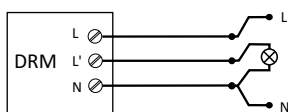
Technical data

supply	230V AC
current load	<5A
frequency of the microwaves radiation	5,8GHz
power radiation	<10mW
detection range	360°
detection ray - adjustable (for h=2,5m)	1÷10m
activation treshold - adjustable	2÷2000Lx
receiver's activation time - adjustable	8s÷12min.
activation delay	1s
power consumption	0,9W
connection	screw terminals 1mm ²
working temperature	-25÷50°C
dimensions	Ø103 h=42mm
fixed	two screws to the substrate
protection level	IP40

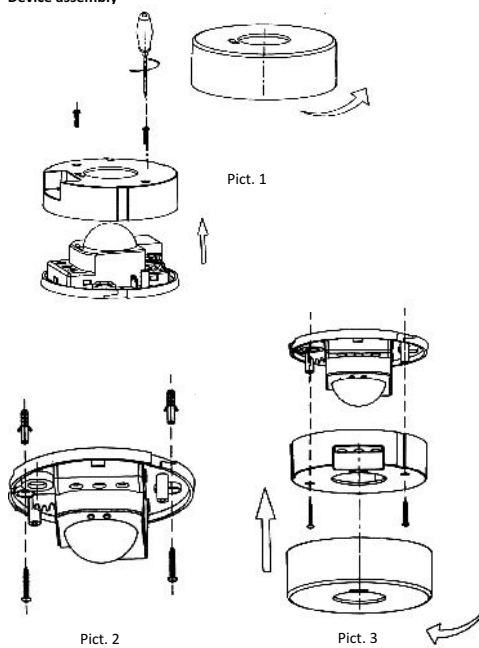
Assembly

1. Unscrew the outer shield of the detector. Unscrew the two screws and remove the sensor cover (Pict. 1).
2. Disconnect the power.
3. Wires provide throughout eyelet rubber in mounting base of the sensor.
4. Basis with two screws attached to the substrate. (Pict. 2).
5. Connect according to schema.
6. Set area of detection, set the sensitivity of the light dependant relay and activation time.
7. Assemble the sensor's cover housing (Pict. 3).

Wiring diagram



Device assembly



X-ON Electronics

Largest Supplier of Electrical and Electronic Components

Click to view similar products for [Photoelectric Sensors](#) category:

Click to view products by [F&F](#) manufacturer:

Other Similar products are found below :

[7442AD2X5FRX](#) [7443AR0X5FRX](#) [7452AD4D4NNX](#) [7655AR-04-F-1-2-RX](#) [7694ADE04DS2X](#) [FE7C-FRC6S-M](#) [FX-305](#) [Q45VR2FPQ](#)
[Q45VR2LVW/8](#) [E3JUXM4MN](#) [E3S3LE21](#) [E3SCT11M1J03M](#) [E3VDS70C43S](#) [E3XNM16](#) [BR23P](#) [HOA6563-001](#) [OJ-3307-30N8](#) [OS-](#)
[311A-30](#) [P34036](#) [P60001](#) [PB10CNT15PO](#) [S14132](#) [S52101](#) [S56258](#) [SH-32R](#) [FD-SN500](#) [SU-79](#) [T36342](#) [T40300](#) [T60001](#) [PD60CNX20BP](#)
[FX-302-HY](#) [PX-22](#) [PZ2-51P](#) [CX-491-P-J](#) [CYNUTX10](#) [UZB802](#) [UZB803](#) [UZFRG1](#) [UZFRG4](#) [UZFRT4](#) [UZFTT8](#) [ZX-XC4A 4M](#) [E3D-](#)
[R3Y1](#) [E3E23Y2US](#) [E3E-R1Y2](#) [E3SDS20E1](#) [E3TFD14N](#) [E3XR-CC4](#) [E3ZT61M1J03M](#)