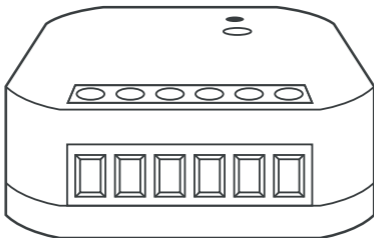




Light

www.getproxi.com

Information about the rB-D1S2 module



Use

The rB-D1S2 module is a dimmer module that controls the dimming of a light source, or is used for the connection of a double momentary switch.

It is designed for lightbulbs, dimmable energy-saving lightbulbs and dimmable LED lightbulbs.

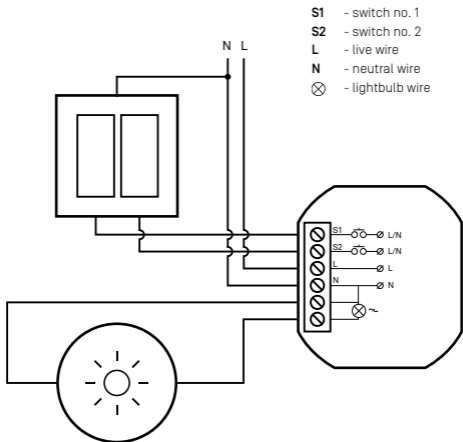
More information at www.getproxi.com.

Operation

The module allows the connected device to be controlled via a smartphone as well as a traditional switch.

The Proxi application can be downloaded for free from Google Play and the App Store and it runs on any smartphone equipped with Bluetooth 4.0 and iOS or Android version 4.3 or above.

Connection schematic



Installation

1. Disconnect the power circuit and using an appropriate device, check that there is no voltage in the power circuit.
 2. Connect the switch wires to the S1 and S2 contacts.
 3. Connect the light bulb wires to the appropriate module contacts as shown on the diagram.
 4. Connect the live and neutral wires to the appropriate L and N contacts.
 5. Insert the module into the junction box.
 6. Connect the power supply.
- If the module has been installed correctly, the blue diode on the module should blink.

Technical data



power	AC 230 V / 50 Hz
voltage range	-20%, +10%
rated power consumption	0,4 W
radio connection	bluetooth 2,4 GHz
signal strength	1 mW
transmission type	two directional
encoding	yes
receivers	100W for capacitive and inductive loads 150W for resistive loads
input	triggered by the L or N level 2x contact
controlling current	<= 1 mA
storage temperature	-20°C, +50°C
operating temperature	0°C, +45°C
humidity	<= 85% (without water vapour condensation and corrosive gases)
dimensions	49 x 44 x 22 mm
protection code	IP 20
type of housing	junction box
security	1A current limiter
overheating protection	yes
autonomus mode	yes

Warranty F&F products are guaranteed for 24 months from the date of purchase.



F&F Filipowski sp. j. ul. Konstanynowska
79/81, 09-200 Pabianice POLAND
tel./fax +48 42 2152383 fif@fif.com.pl,
www.fif.com.pl

©2014 F&F Filipowski sp. j.
All rights reserved.



X-ON Electronics

Largest Supplier of
Electrical and Electronic
Components

*Click to view similar
products for [Power
Management IC Development
Tools](#) category:*

*Click to view products by
[F&F](#) manufacturer:*

Other Similar products are
found below :

[EVAL6482H-DISC](#)

[EVAL-ADM1060EBZ](#)

[EVAL-ADM1073MEBZ](#)

[EVAL-ADM1166TQEBZ](#)

[EVAL-ADM1168LQEBZ](#)

[EVAL-ADM1171EBZ](#)

[EVAL-ADM1276EBZ](#)

[EVB-EN5319QI](#) [EVB-](#)

EN5335QI EVB-

EN5336QI EVB-

EN5365QI EVB-

EN6347QI EVB-

EP5348UI EVB-

EP5357HUI

MIC2205YML EV

MIC23158YML EV

MIC23451-AAAYFL EV

MIC38150HYHL EV

MIC5281YMME EV

ADM00513 ADM8612-

EVALZ ADM8613-

EVALZ ADP1055-

EVALZ ADP122-3.3-

EVALZ ADP130-0.8-

EVALZ ADP130-1.2-

EVALZ ADP130-1.5-

EVALZ ADP130-1.8-

EVALZ ADP160UJZ-

REDYKIT ADP162UJZ-

REDYKIT ADP1712-3.3-

EVALZ ADP1714-3.3-

EVALZ ADP1715-3.3-

EVALZ ADP1716-2.5-

EVALZ ADP1752-1.5-

EVALZ ADP1754-1.5-

EVALZ ADP1828LC-

EVALZ ADP1870-0.3-

EVALZ ADP1871-0.6-

EVALZ ADP1873-0.6-

EVALZ ADP1874-0.3-

EVALZ ADP1876-

EVALZ ADP1878-0.6-

EVALZ ADP1879-1.0-

EVALZ ADP1882-1.0-

EVALZ ADP1883-0.6-

EVALZ ADP1883-1.0-

EVALZ ADP195CP-

EVALZ ADP197CB-

EVALZ ADP199CB-

EVALZ