



FFSD-10-D-02.00-01-N

FFSD SERIES

(1.27 mm) .050"

# TIGER EYE™ FLAT IDC WIRE CABLES

Mates with:  
FTS, FTSH, EHF,  
SHF, ESHF

**SPECIFICATIONS**

For complete specifications see [www.samtec.com?FFSD](http://www.samtec.com?FFSD)

**Insulator Material:**

PBT

**Contact:**

BeCu

**Plating:**

10 μ" (0.25 μm) Au over 50 μ" (1.27 μm) Ni on contact area; Sn over 50 μ" (1.27 μm) Ni on balance

**Wire:**

30 AWG

**Current Rating (FFSD/FTSH):**

2.3 A per pin  
(2 pins powered)

**Operating Temp Range:**

-40 °C to +105 °C

**Lead Size Accepted:**

(0.41 mm) .016" SQ

**Insertion Depth:**

(2.64 mm) .104" to

(3.17 mm) .125"

**RoHS Compliant:**

Yes

**RECOGNITIONS**

For complete scope of recognitions see [www.samtec.com/quality](http://www.samtec.com/quality)

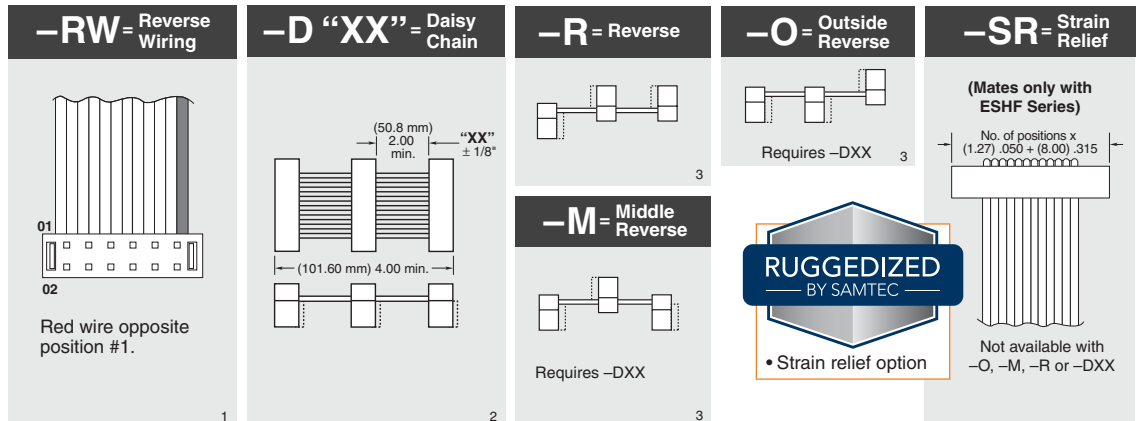


FILE NO. E111594



**ALSO AVAILABLE**  
(MOQ Required)

- Other sizes



- Strain relief option

**Note:** This Series is non-standard, non-returnable.

Due to technical progress, all designs, specifications and components are subject to change without notice.

[WWW.SAMTEC.COM](http://WWW.SAMTEC.COM)

All parts within this catalog are built to Samtec's specifications. Customer specific requirements must be approved by Samtec and identified in a Samtec customer-specific drawing to apply.

## X-ON Electronics

Largest Supplier of Electrical and Electronic Components

*Click to view similar products for [Ribbon Cables / IDC Cables](#) category:*

*Click to view products by [Samtec](#) manufacturer:*

Other Similar products are found below :

[FSK-12A Ribbon Cable, 6 Pin, 500mm](#) [AWG28-10G](#) [EHJ3C](#) [EHJ4C](#) [EHJ5C](#) [cab-LVDV-PWR-10-15](#) [FSP-25A](#) [Ribbon Cable, 4 Pin, 350mm](#)  
[Ribbon Cable, 6 Pin, 300mm](#) [cab-LVDV-DAT-34-15](#) [49635-C62-S2](#) [1-3636-600-5204](#) [92315-1408](#) [100063-0094](#) [100063-0106](#) [100063-0102](#)  
[100063-0104](#) [MMSD-02-20C-F-15.00-S-K](#) [100063-0099](#) [100063-0105](#) [100063-0095](#) [100063-0103](#) [100063-0093](#) [100063-0091](#) [2200000068](#)  
[100063-0092](#) [100063-0101](#) [100063-0100](#) [100063-0097](#) [TFSDT-08-28-H-15.00-S](#) [S1SD-02-30-GF-09.00-L](#) [MMSD-02-22C-F-15.00-S-K](#)  
[S1SS-02-28C-GF-02.00-L](#) [S1SDT-02-28-GF-03.00-L](#) [2-1589735-3](#) [JSM015PP2DCC23N](#) [92301-0283](#) [TCSD-22-D-26.00-01](#) [S1SST-07-30-](#)  
[GF-06.00-L](#) [T2SD-20-24-L-07.87-TR-NUS](#) [DS1057-01-44A282R-30.5](#) [FFSD-06-S-17.00-01-N](#) [IDSS-03-D-20.00-T](#) [TCMD-17-S-36.00-01-](#)  
[SR](#) [92301-0718](#) [839023](#) [490107670612S](#) [MMSDT-06-20-S-05.5-D-K-LDX](#) [IDD-04-G](#)