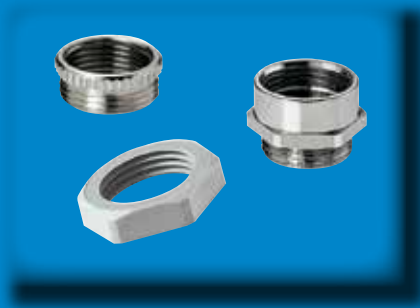


Cable glands and cable entries



For demanding environments

Contents

| | |
|---|----------------|
| Plastic cable glands and accessories | 1 |
| Plastic cable glands | 2 – 6 |
| Hexagonal locknut, plastic | 7 – 8 |
| Screw plug, plastic | 9 – 10 |
| Adapter, plastic | 11 |
| Blanking plug, plastic | 12 |
| Metal cable glands and accessories | 13 |
| Metal cable glands | 14 – 16 |
| Hexagonal locknut, metal | 17 |
| Screw plug, metal | 18 |
| Adapter, metal | 19 |
| EMC cable glands and accessories | 20 |
| EMC cable glands | 21 – 24 |
| Hexagonal locknut, EMC | 25 – 26 |
| EX cable glands and accessories | 27 |
| Ex cable gland, plastic | 28 |
| Ex screw plug, plastic | 29 |
| Ex blanking plug, plastic | 30 |
| Ex cable gland, metal | 31 |
| Ex screw plug, metal | 32 |
| Ex EMC cable gland | 33 |
| Venting element | 34 - 36 |
| Cable gland accessories | |
| O-ring | 37 |
| Dust cap | 38 |
| Cable entry systems | 40 |
| Membrane cable glands | 40 – 43 |
| Cable entry plates and entry sets | 44 |

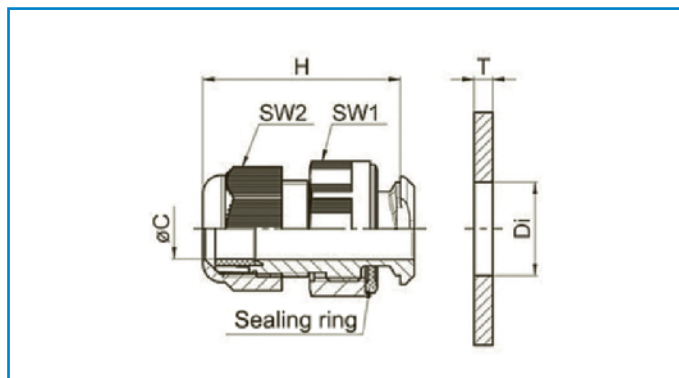
PLASTIC CABLE GLANDS AND ACCESSORIES



Plastic cable gland

GPAQF M

Metric thread



Technical details

| | |
|----------------------|--|
| Dome nut | Polyamide PA6 V-2 |
| Sealing ring | Polychloroprene-Nitrile rubber CR/NBR |
| Gland body | Polyamide PA6 V-2 |
| Mounting nut | Polyamide PA6 GF30 |
| Moulded sealing ring | Nitrile-Polytetrafluorethylene rubber NBR/PTFE |

Properties

- Quick and easy installation without special tools
- Trouble-free mounting and dismantling from one side
- Locknut on the inner side dispensable
- Advantageous for installation in areas with limited space
- Installation in clearance holes with dimensions according to EN 50262
- No inner thread required
- Continuously adjustable in wall thickness from 1 - 4 mm
- Integrated anchorage
- Wide sealing and clamping range

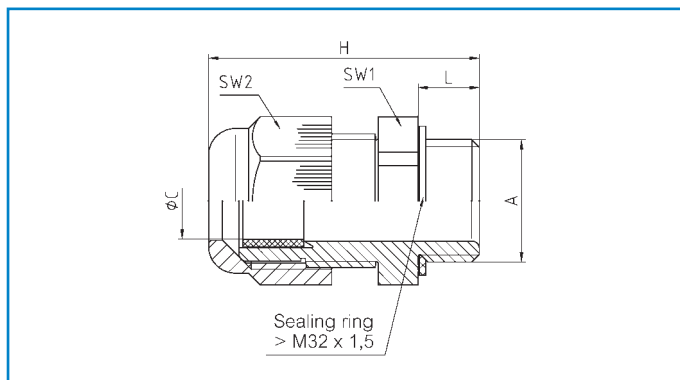
Temperature range -20...+100 °C
Protection grade IP68

| Order symbol | Code | EAN | A | Di mm | T mm | øC mm | SW1 mm | SW2 mm | H mm | Pack |
|-----------------|---------|---------------|-----|-------------|-------|---------|--------|--------|------|------|
| RAL 7035 | | | | | | | | | | |
| GPAQF M16 | 7016860 | 6418074090577 | M16 | 16,1 - 16,3 | 1 - 4 | 5 - 10 | 24 | 20 | 38,5 | 100 |
| GPAQF M20 | 7016861 | 6418074090584 | M20 | 20,1 - 20,4 | 1 - 4 | 8 - 13 | 26 | 24 | 42,5 | 100 |
| GPAQF M25 | 7016862 | 6418074090591 | M25 | 25,1 - 25,4 | 1 - 4 | 11 - 17 | 32 | 29 | 48 | 50 |
| GPAQF M32 | 7016863 | 6418074090607 | M32 | 32,1 - 32,4 | 1 - 4 | 15 - 21 | 42 | 36 | 58,5 | 25 |

Plastic cable gland

GPA M/ML

Metric thread



Technical details

Dome nut: Polyamide PA6 V-2
 Sealing ring: Polychloroprene-Nitrile rubber CR/NBR
 Gland body: Polyamide PA6 V-2
 Connecting thread: metric as per EN 60423

Properties

- Integrated anchorage
- Wide sealing and clamping range
- Easy-to-install

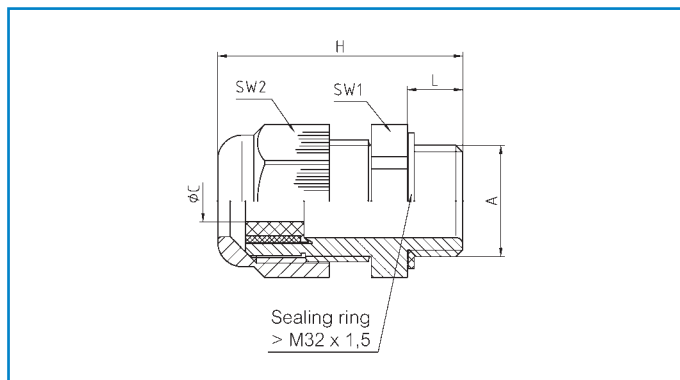
Temperature range: -20...+100 °C
 Protection grade: IP68 – 5 bar
 Test standard: EN 50262 / UL 514B

| Order symbol | Code | EAN | A | ØC mm | L mm | SW1 mm | SW2 mm | H mm | Pack |
|---|---------|---------------|-----------|----------|---------|-----------|-----------|---------|------|
| RAL 7035: Connecting thread: standard length | | | | | | | | | |
| GPA M12 | 7016400 | 6418074054845 | M12 x 1,5 | 3 – 6 | 8 | 15 | 15 | 31 | 100 |
| GPA M16 | 7016401 | 6418074054852 | M16 x 1,5 | 5 – 10 | 8 | 20 | 20 | 35,5 | 100 |
| GPA M20 | 7016402 | 6418074054869 | M20 x 1,5 | 8 – 13 | 8 | 24 | 24 | 36 | 100 |
| GPA M25 | 7016403 | 6418074054876 | M25 x 1,5 | 11 – 17 | 8 | 29 | 29 | 43 | 50 |
| GPA M32 | 7016404 | 6418074054883 | M32 x 1,5 | 15 – 21 | 10 | 36 | 36 | 50 | 25 |
| GPA M40 | 7016405 | 6418074054890 | M40 x 1,5 | 19 – 28 | 10 | 46 | 46 | 51 | 10 |
| GPA M50 | 7016406 | 6418074054906 | M50 x 1,5 | 27 – 35 | 12 | 55 | 55 | 61,5 | 5 |
| GPA M63 | 7016407 | 6418074054913 | M63 x 1,5 | 32 – 42 | 12 | 68 | 68 | 65,5 | 5 |
| RAL 7035: Connecting thread: long | | | | | | | | | |
| GPA M12L | 7016533 | 6418074056337 | M12 x 1,5 | 3 – 6 | 15 | 15 | 15 | 38 | 100 |
| GPA M16L | 7016534 | 6418074056344 | M16 x 1,5 | 5 – 10 | 15 | 20 | 20 | 42,5 | 100 |
| GPA M20L | 7016535 | 6418074056351 | M20 x 1,5 | 8 – 13 | 15 | 24 | 24 | 43 | 100 |
| GPA M25L | 7016536 | 6418074056368 | M25 x 1,5 | 11 – 17 | 15 | 29 | 29 | 50 | 50 |
| GPA M32L | 7016537 | 6418074056375 | M32 x 1,5 | 15 – 21 | 15 | 36 | 36 | 55 | 25 |
| GPA M40L | 7016538 | 6418074056382 | M40 x 1,5 | 19 – 28 | 18 | 46 | 46 | 59 | 10 |
| GPA M50L | 7016539 | 6418074056399 | M50 x 1,5 | 27 – 35 | 18 | 55 | 55 | 67,5 | 5 |
| GPA M63L | 7016540 | 6418074056405 | M63 x 1,5 | 32 – 42 | 18 | 68 | 68 | 71,5 | 5 |
| RAL 9005: Connecting thread: standard length | | | | | | | | | |
| GPA M12 9005 | 7016950 | 6418074093295 | M12 x 1,5 | 3 – 6 | 8 | 15 | 15 | 31 | 100 |
| GPA M16 9005 | 7016951 | 6418074093301 | M16 x 1,5 | 5 – 10 | 8 | 20 | 20 | 35,5 | 100 |
| GPA M20 9005 | 7016952 | 6418074093318 | M20 x 1,5 | 8 – 13 | 8 | 24 | 24 | 36 | 100 |
| GPA M25 9005 | 7016953 | 6418074093325 | M25 x 1,5 | 11 – 17 | 8 | 29 | 29 | 43 | 50 |
| GPA M32 9005 | 7016954 | 6418074093332 | M32 x 1,5 | 15 – 21 | 10 | 36 | 36 | 50 | 25 |
| GPA M40 9005 | 7016955 | 6418074093349 | M40 x 1,5 | 19 – 28 | 10 | 46 | 46 | 51 | 10 |
| GPA M50 9005 | 7016956 | 6418074093356 | M50 x 1,5 | 27 – 35 | 12 | 55 | 55 | 61,5 | 5 |
| GPA M63 9005 | 7016957 | 6418074093363 | M63 x 1,5 | 32 – 42 | 12 | 68 | 68 | 65,5 | 5 |

Plastic cable gland

GPA MR

Metric thread



Technical details

| | |
|---------------------------|---------------------------------------|
| Dome nut | Polyamide PA6 V-2 |
| Sealing ring / outer part | Polychloroprene-Nitrile rubber CR/NBR |
| Sealing ring / inner part | Evoprene TPE |
| Gland body | Polyamide PA6 V-2 |
| Connecting thread | metric as per EN 60423 |

Properties

- Reducing sealing ring for small cable diameter
- Integrated anchorage
- Wide sealing and clamping range
- Easy-to-install

| | |
|-------------------|--------------------|
| Temperature range | -20...+100 °C |
| Protection grade | IP68 – 5 bar |
| Test standard | EN 50262 / UL 514B |

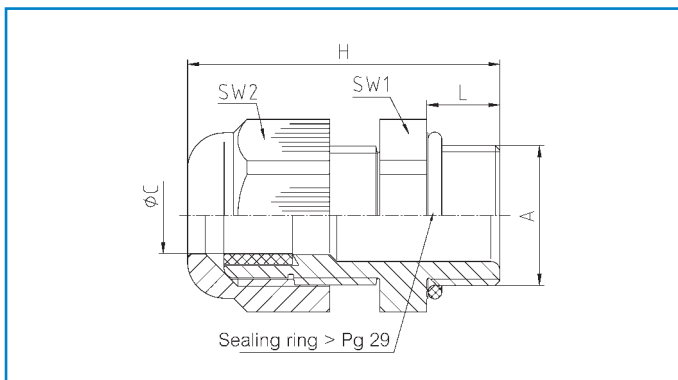
| Order symbol | Code | EAN | A | øC mm | L mm | SW1 mm | SW2 mm | H mm | Pack |
|---|---------|---------------|-----------|----------|---------|-----------|-----------|---------|------|
| RAL 7035: Connecting thread: standard length | | | | | | | | | |
| GPA M12R | 7016750 | 6418074029768 | M12 x 1,5 | 2 – 5* | 8 | 15 | 15 | 31 | 100 |
| GPA M16R | 7016780 | 6418074091222 | M16 x 1,5 | 3 – 10 | 8 | 20 | 20 | 35,5 | 100 |
| GPA M20R | 7016781 | 6418074091239 | M20 x 1,5 | 5 – 13 | 8 | 24 | 24 | 36 | 100 |
| GPA M25R | 7016782 | 6418074091246 | M25 x 1,5 | 8 – 17 | 8 | 29 | 29 | 43 | 50 |
| GPA M32R | 7016783 | 6418074091253 | M32 x 1,5 | 12 – 21 | 10 | 36 | 36 | 50 | 25 |
| GPA M40R | 7016784 | 6418074091260 | M40 x 1,5 | 16 – 28 | 10 | 46 | 46 | 51 | 10 |
| GPA M50R | 7016785 | 6418074091277 | M50 x 1,5 | 21 – 35 | 12 | 55 | 55 | 61,5 | 5 |
| GPA M63R | 7016786 | 6418074091284 | M63 x 1,5 | 27 – 48 | 12 | 68 | 68 | 65,5 | 5 |

* sealing ring one-piece

Plastic cable gland

GPA PG/PGL

PG thread



Technical details

| | |
|-------------------|---------------------------------------|
| Dome nut | Polyamide PA6 V-2 |
| Sealing ring | Polychloroprene-Nitrile rubber CR/NBR |
| Gland body | Polyamide PA6 V-2 |
| Connecting thread | Pg as per DIN 40430 |

Properties

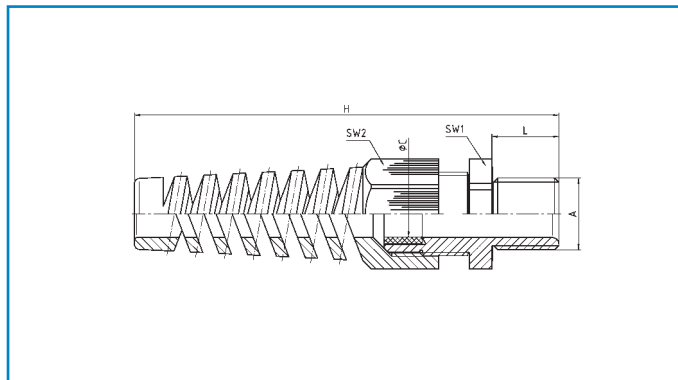
- Integrated anchorage
 - Wide sealing and clamping range
 - Easy-to-install
- Temperature range -20...+100 °C
 Protection grade IP68 – 5 bar
 Test standard UL 514B

| Order symbol | Code | EAN | A | ØC mm | L mm | SW1 mm | SW2 mm | H mm | Pack |
|---|---------|---------------|---------|----------|---------|-----------|-----------|---------|------|
| RAL 7035: Connecting thread: standard length | | | | | | | | | |
| GPA PG7 | 7016416 | 6418074055002 | Pg 7 | 3 – 6,5 | 8 | 15 | 15 | 30,5 | 100 |
| GPA PG9 | 7016417 | 6418074055019 | Pg 9 | 4 – 8 | 8 | 19 | 19 | 34 | 100 |
| GPA PG11 | 7016418 | 6418074055026 | Pg 11 | 5 – 10 | 8 | 22 | 22 | 37 | 100 |
| GPA PG13.5 | 7016419 | 6418074055033 | Pg 13,5 | 6 – 12 | 9 | 24 | 24 | 39 | 100 |
| GPA PG16 | 7016420 | 6418074055040 | Pg 16 | 10 – 14 | 10 | 27 | 27 | 42,5 | 50 |
| GPA PG21 | 7016421 | 6418074055057 | Pg 21 | 13 – 18 | 11 | 33 | 33 | 47,5 | 50 |
| GPA PG29 | 7016422 | 6418074055064 | Pg 29 | 18 – 25 | 11 | 42 | 42 | 53 | 25 |
| GPA PG36 | 7016423 | 6418074055071 | Pg 36 | 22 – 32 | 13 | 53 | 53 | 61 | 10 |
| GPA PG42 | 7016424 | 6418074055088 | Pg 42 | 30 – 38 | 13 | 60 | 60 | 65 | 5 |
| GPA PG48 | 7016425 | 6418074055095 | Pg 48 | 34 – 44 | 14 | 65 | 65 | 67 | 5 |
| RAL 9005: Connecting thread: standard length | | | | | | | | | |
| GPA PG7 9005 | 7016577 | 6418074062284 | Pg 7 | 3 – 6,5 | 8 | 15 | 15 | 30,5 | 100 |
| GPA PG9 9005 | 7016578 | 6418074062291 | Pg 9 | 4 – 8 | 8 | 19 | 19 | 34 | 100 |
| GPA PG11 9005 | 7016579 | 6418074062307 | Pg 11 | 5 – 10 | 8 | 22 | 22 | 37 | 100 |
| GPA PG13.5 9005 | 7016890 | 6418074093455 | Pg 13,5 | 6 – 12 | 9 | 24 | 24 | 39 | 100 |
| GPA PG16 9005 | 7016891 | 6418074093462 | Pg 16 | 10 – 14 | 10 | 27 | 27 | 42,5 | 50 |
| GPA PG21 9005 | 7016892 | 6418074093479 | Pg 21 | 13 – 18 | 11 | 33 | 33 | 47,5 | 50 |
| GPA PG29 9005 | 7016893 | 6418074093486 | Pg 29 | 18 – 25 | 11 | 42 | 42 | 53 | 25 |
| GPA PG36 9005 | 7016894 | 6418074093493 | Pg 36 | 24 – 32 | 13 | 53 | 53 | 61 | 10 |
| GPA PG42 9005 | 7016895 | 6418074093509 | Pg 42 | 30 – 38 | 13 | 60 | 60 | 65 | 5 |
| GPA PG48 9005 | 7016896 | 6418074093516 | Pg 48 | 34 – 44 | 14 | 65 | 65 | 67 | 5 |
| RAL 7035: Connecting thread: long | | | | | | | | | |
| GPA PG7L | 7016541 | 6418074056412 | Pg 7 | 3 – 6,5 | 15 | 15 | 15 | 37,5 | 100 |
| GPA PG9L | 7016542 | 6418074056429 | Pg 9 | 4 – 8 | 15 | 19 | 19 | 41 | 100 |
| GPA PG11L | 7016543 | 6418074056436 | Pg 11 | 5 – 10 | 15 | 22 | 22 | 44 | 100 |
| GPA PG13.5L | 7016544 | 6418074056443 | Pg 13,5 | 6 – 12 | 15 | 24 | 24 | 45 | 100 |
| GPA PG16L | 7016545 | 6418074056450 | Pg 16 | 10 – 14 | 15 | 27 | 27 | 47,5 | 50 |
| GPA PG21L | 7016546 | 6418074056467 | Pg 21 | 13 – 18 | 15 | 33 | 33 | 51,5 | 50 |
| GPA PG29L | 7016547 | 6418074056474 | Pg 29 | 18 – 25 | 15 | 42 | 42 | 57 | 25 |
| GPA PG36L | 7016548 | 6418074056481 | Pg 36 | 22 – 32 | 18 | 53 | 53 | 66 | 10 |

Plastic cable gland

GBP M

Metric thread



Technical details

| | |
|-------------------|---------------------------------------|
| Dome nut | Polyamide PA6 V-2 |
| Sealing ring | Polychloroprene-Nitrile rubber CR/NBR |
| Gland body | Polyamide PA6 V-2 |
| Connecting thread | metric as per EN 60423 |

Properties

- With spiral top
- For movable flexible cables
- Integrated anchorage
- Wide sealing and clamping range,
- Easy-to-install

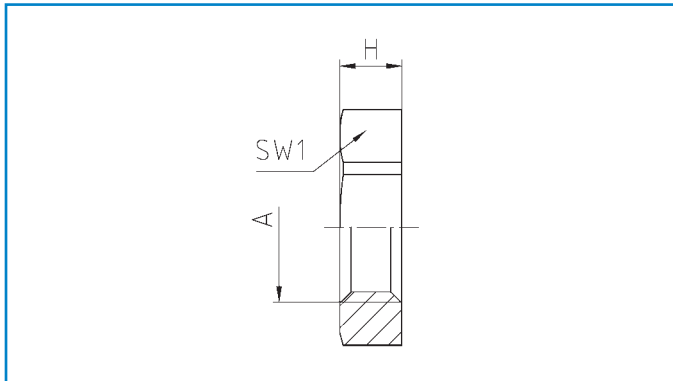
| | |
|-------------------|--------------------|
| Temperature range | -20...+100 °C |
| Protection grade | IP68 – 5 bar |
| Test standard | EN 50262 / UL 514B |

| Order symbol | Code | EAN | A | øC mm | L mm | SW1 mm | SW2 mm | H mm | Pack |
|-----------------|---------|---------------|-----------|----------|---------|-----------|-----------|---------|------|
| RAL 7035 | | | | | | | | | |
| GBP M12 | 7016940 | 6418074090492 | M12 x 1,5 | 3 – 6,5 | 8 | 15 | 15 | 63,5 | 100 |
| GBP M16 | 7016941 | 6418074090560 | M16 x 1,5 | 5 – 10 | 15 | 22 | 22 | 94,5 | 100 |
| GBP M20 | 7016942 | 6418074092595 | M20 x 1,5 | 6 – 12 | 11 | 24 | 24 | 101,5 | 50 |
| GBP M25 | 7016943 | 6418074093707 | M20 x 1,5 | 10 – 14 | 15 | 27 | 27 | 116 | 50 |
| GBP M32 | 7016944 | 6418074093714 | M25 x 1,5 | 13 – 18 | 15 | 33 | 33 | 132,5 | 50 |

Hexagonal locknut, plastic

GPA MB

Metric threads



Technical details

Hexagonal locknut Polyamide PA6 GF30
 Connecting thread metric as per EN 60423

Properties

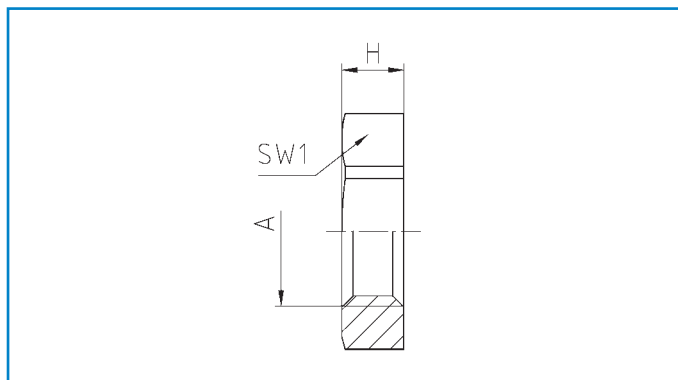
- For secure tightening of cable glands and accessories
 Temperature range -20...+100 °C

| Order symbol | Code | EAN | A | SW1 mm | H mm | Pack |
|-----------------|---------|---------------|-----------|-----------|---------|------|
| RAL 7035 | | | | | | |
| GPA M12B | 7016408 | 6418074054920 | M12 x 1,5 | 17 | 5 | 100 |
| GPA M16B | 7016409 | 6418074054937 | M16 x 1,5 | 22 | 5 | 100 |
| GPA M20B | 7016410 | 6418074054944 | M20 x 1,5 | 27 | 6 | 100 |
| GPA M25B | 7016411 | 6418074054951 | M25 x 1,5 | 32 | 6 | 100 |
| GPA M32B | 7016412 | 6418074054968 | M32 x 1,5 | 41 | 7 | 100 |
| GPA M40B | 7016413 | 6418074054975 | M40 x 1,5 | 50 | 7 | 50 |
| GPA M50B | 7016414 | 6418074054982 | M50 x 1,5 | 60 | 8 | 50 |
| GPA M63B | 7016415 | 6418074054999 | M63 x 1,5 | 75 | 8 | 50 |
| RAL 9005 | | | | | | |
| GPA M12B 9005 | 7016880 | 6418074093370 | M12 x 1,5 | 17 | 5 | 100 |
| GPA M16B 9005 | 7016881 | 6418074093387 | M16 x 1,5 | 22 | 5 | 100 |
| GPA M20B 9005 | 7016566 | 6418074093394 | M20 x 1,5 | 27 | 6 | 100 |
| GPA M25B 9005 | 7016882 | 6418074093400 | M25 x 1,5 | 32 | 6 | 100 |
| GPA M32B 9005 | 7016883 | 6418074093417 | M32 x 1,5 | 41 | 7 | 100 |
| GPA M40B 9005 | 7016884 | 6418074093424 | M40 x 1,5 | 50 | 7 | 50 |
| GPA M50B 9005 | 7016885 | 6418074093431 | M50 x 1,5 | 60 | 8 | 50 |
| GPA M63B 9005 | 7016886 | 6418074093448 | M63 x 1,5 | 75 | 8 | 50 |

Hexagonal locknut, plastic

GPA PGB

PG thread



Technical details

Hexagonal locknut
Internal thread

Polyamide PA6 GF30
Pg as per DIN 40430

Properties

- For secure tightening of cable glands and accessories

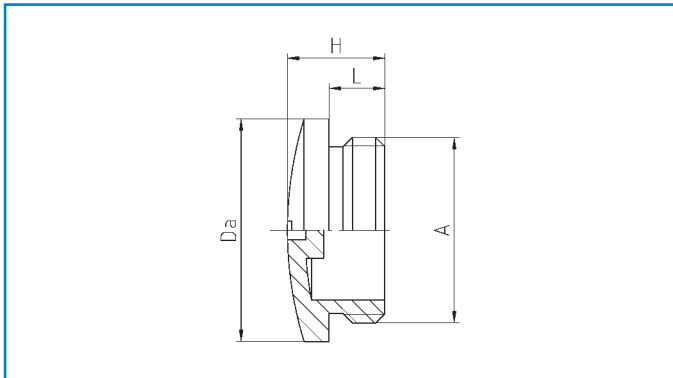
Temperature range -20...+100 °C

| Order symbol | Code | EAN | A | SW1 mm | H mm | Pack |
|------------------|---------|---------------|---------|-----------|---------|------|
| RAL 7035 | | | | | | |
| GPA PG7B | 7016426 | 6418074055101 | Pg 7 | 19 | 5 | 100 |
| GPA PG9B | 7016427 | 6418074055118 | Pg 9 | 22 | 5 | 100 |
| GPA PG11B | 7016428 | 6418074055125 | Pg 11 | 24 | 5 | 100 |
| GPA PG13.5B | 7016429 | 6418074055132 | Pg 13,5 | 27 | 6 | 100 |
| GPA PG16B | 7016430 | 6418074055149 | Pg 16 | 30 | 6 | 100 |
| GPA PG21B | 7016431 | 6418074055156 | Pg 21 | 36 | 7 | 100 |
| GPA PG29B | 7016432 | 6418074055163 | Pg 29 | 46 | 7 | 100 |
| GPA PG36B | 7016433 | 6418074055170 | Pg 36 | 60 | 8 | 50 |
| GPA PG42B | 7016434 | 6418074055187 | Pg 42 | 65 | 8 | 50 |
| GPA PG48B | 7016435 | 6418074055194 | Pg 48 | 70 | 8 | 50 |
| RAL 9005 | | | | | | |
| GPA PG7B 9005 | 7016580 | 6418074062314 | Pg 7 | 19 | 5 | 100 |
| GPA PG9B 9005 | 7016581 | 6418074062321 | Pg 9 | 22 | 5 | 100 |
| GPA PG11B 9005 | 7016582 | 6418074062338 | Pg 11 | 24 | 5 | 100 |
| GPA PG13.5B 9005 | 7016900 | 6418074093523 | Pg 13,5 | 27 | 6 | 100 |
| GPA PG16B 9005 | 7016901 | 6418074093530 | Pg 16 | 30 | 6 | 100 |
| GPA PG21B 9005 | 7016902 | 6418074093547 | Pg 21 | 36 | 7 | 100 |
| GPA PG29B 9005 | 7016903 | 6418074093554 | Pg 29 | 46 | 7 | 100 |
| GPA PG36B 9005 | 7016904 | 6418074093561 | Pg 36 | 60 | 8 | 50 |
| GPA PG42B 9005 | 7016905 | 6418074093578 | Pg 42 | 65 | 8 | 50 |
| GPA PG48B 9005 | 7016906 | 6418074093585 | Pg 48 | 70 | 8 | 50 |

Screw plug, plastic

GSP M/M/S

Metric thread



Technical details

Screw plug
Connecting thread

Polyamide PA6 GF30
metric as per EN 60423

Properties

- For secure sealing of unused threaded or clearance hole

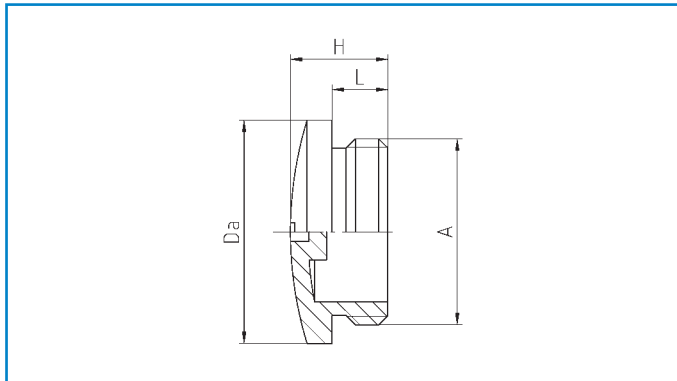
Temperature range -30...+100 °C
Protection grade IP54/IP65*
Higher protection grade IP65,
if assembled with sealing ring

| Order symbol | Code | EAN | A | L mm | H mm | Da mm | Pack |
|---|---------|---------------|-----------|---------|---------|----------|------|
| RAL 7035: Screw plug, round | | | | | | | |
| GSP M12 slot | 7016525 | 6418074056252 | M12 x 1,5 | 6 | 10 | 15 | 100 |
| GSP M16 slot | 7016526 | 6418074056269 | M16 x 1,5 | 6 | 10,5 | 20 | 100 |
| GSP M20 slot | 7016527 | 6418074056276 | M20 x 1,5 | 6 | 10,5 | 24 | 100 |
| GSP M25 slot | 7016528 | 6418074056283 | M25 x 1,5 | 8 | 13 | 30 | 100 |
| GSP M32 slot | 7016529 | 6418074056290 | M32 x 1,5 | 8 | 13,5 | 37 | 100 |
| GSP M40 slot | 7016530 | 6418074056306 | M40 x 1,5 | 8 | 14 | 46 | 50 |
| GSP M50 slot | 7016531 | 6418074056313 | M50 x 1,5 | 10 | 16,5 | 56 | 50 |
| GSP M63 slot | 7016532 | 6418074056320 | M63 x 1,5 | 12 | 17 | 70 | 50 |
| RAL 7035: Screw plug, round, O-ring* | | | | | | | |
| GSP M12S slot | 7016680 | 6418074091673 | M12 x 1,5 | 6 | 10 | 15 | 100 |
| GSP M16S slot | 7016681 | 6418074091680 | M16 x 1,5 | 6 | 10,5 | 20 | 100 |
| GSP M20S slot | 7016682 | 6418074091697 | M20 x 1,5 | 6 | 10,5 | 24 | 100 |
| GSP M25S slot | 7016683 | 6418074091703 | M25 x 1,5 | 8 | 13 | 30 | 100 |
| GSP M32S slot | 7016684 | 6418074091710 | M32 x 1,5 | 8 | 13,5 | 37 | 100 |
| GSP M40S slot | 7016685 | 6418074091727 | M40 x 1,5 | 8 | 14 | 46 | 50 |
| GSP M50S slot | 7016686 | 6418074091734 | M50 x 1,5 | 10 | 16,5 | 56 | 50 |
| GSP M63S slot | 7016687 | 6418074091741 | M63 x 1,5 | 12 | 17 | 70 | 50 |

Screw plug, plastic

GSP PG

PG thread



Technical details

Screw plug Polyamide PA6 GF30
 Connecting thread Pg as per DIN 40430

Properties

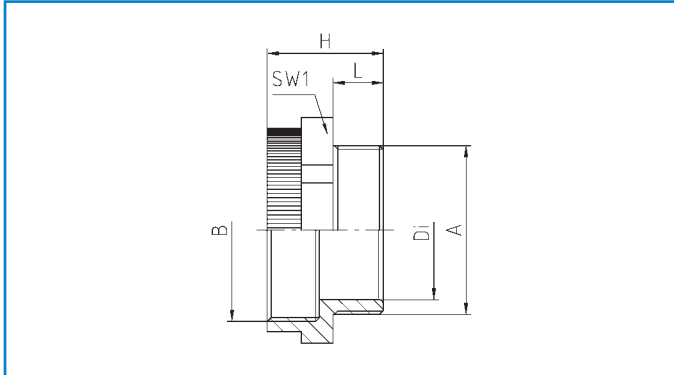
- For secure sealing of unused
 - Threaded or clearance hole

Temperature range -30...+100 °C
 Protection grade IP54
 Higher protection grade possible
 if assembled with sealing ring

| Order symbol | Code | EAN | A | L mm | H mm | Da mm | Pack |
|-----------------|---------|---------------|---------|---------|---------|----------|------|
| RAL 7035 | | | | | | | |
| GSP PG7 slot | 7016515 | 6418074056153 | Pg 7 | 6 | 10 | 15 | 100 |
| GSP PG9 slot | 7016516 | 6418074056160 | Pg 9 | 6 | 10 | 19 | 100 |
| GSP PG11 slot | 7016517 | 6418074056177 | Pg 11 | 6 | 10 | 22 | 100 |
| GSP PG13.5 slot | 7016518 | 6418074056184 | Pg 13,5 | 6 | 10 | 25 | 100 |
| GSP PG16 slot | 7016519 | 6418074056191 | Pg 16 | 6 | 10 | 27 | 100 |
| GSP PG21 slot | 7016520 | 6418074056207 | Pg 21 | 8 | 12,5 | 33 | 100 |
| GSP PG29 slot | 7016521 | 6418074056214 | Pg 29 | 8 | 13 | 44,5 | 100 |
| GSP PG36 slot | 7016522 | 6418074056221 | Pg 36 | 10 | 15 | 55,5 | 50 |
| GSP PG42 slot | 7016523 | 6418074056238 | Pg 42 | 10 | 15,5 | 62,5 | 50 |
| GSP PG48 slot | 7016524 | 6418074056245 | Pg 48 | 12 | 17 | 69,5 | 50 |

Adapter, plastic

GPAPM PG/M



Technical details

Adapter Polyamide PA6 GF30
 External thread Pg as per DIN 40430
 Internal thread metric as per EN 60423

Properties

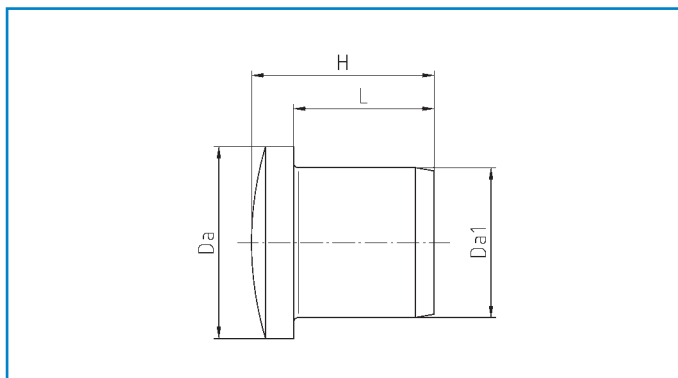
- Adapter from Pg to metric threaded holes
 Temperature range -30...+100 °C
 Protection grade dependent on the combination with other components

| Order symbol | Code | EAN | A | B | L mm | SW1 mm | H mm | Di mm | Pack |
|------------------|---------|---------------|---------|-----------|---------|-----------|---------|----------|------|
| RAL 7035 | | | | | | | | | |
| GPAPM PG7/M12 | 7016720 | 6418074091758 | Pg 7 | M12 x 1,5 | 8 | 15 | 20 | 7,5 | 100 |
| GPAPM PG7/M16 | 7016721 | 6418074091765 | Pg 7 | M16 x 1,5 | 8 | 20 | 20 | 7,5 | 100 |
| GPAPM PG9/M12 | 7016722 | 6418074091772 | Pg 9 | M12 x 1,5 | 8 | 19 | 20 | 10,5 | 100 |
| GPAPM PG9/M16 | 7016723 | 6418074091789 | Pg 9 | M16 x 1,5 | 8 | 20 | 20 | 10,5 | 100 |
| GPAPM PG9/M20 | 7016724 | 6418074091796 | Pg 9 | M20 x 1,5 | 8 | 24 | 20 | 10,5 | 100 |
| GPAPM PG11/M16 | 7016725 | 6418074091802 | Pg 11 | M16 x 1,5 | 8 | 22 | 20 | 13,5 | 100 |
| GPAPM PG11/M20 | 7016726 | 6418074091819 | Pg 11 | M20 x 1,5 | 8 | 24 | 20 | 13,5 | 100 |
| GPAPM PG13.5/M16 | 7016727 | 6418074091826 | Pg 13,5 | M16 x 1,5 | 9 | 24 | 21 | 15 | 100 |
| GPAPM PG13.5/M20 | 7016728 | 6418074091833 | Pg 13,5 | M20 x 1,5 | 9 | 24 | 21 | 15 | 100 |
| GPAPM PG13.5/M25 | 7016729 | 6418074091840 | Pg 13,5 | M25 x 1,5 | 9 | 30 | 21,5 | 15 | 100 |
| GPAPM PG16/M20 | 7016730 | 6418074091857 | Pg 16 | M20 x 1,5 | 10 | 27 | 22 | 17,5 | 100 |
| GPAPM PG16/M25 | 7016731 | 6418074091864 | Pg 16 | M25 x 1,5 | 10 | 30 | 22,5 | 17,5 | 50 |
| GPAPM PG21/M25 | 7016732 | 6418074091871 | Pg 21 | M25 x 1,5 | 11 | 33 | 23,5 | 22,5 | 50 |
| GPAPM PG21/M32 | 7016733 | 6418074091888 | Pg 21 | M32 x 1,5 | 11 | 37 | 25,5 | 22,5 | 50 |
| GPAPM PG29/M32 | 7016734 | 6418074091895 | Pg 29 | M32 x 1,5 | 11 | 42 | 25,5 | 30,5 | 50 |
| GPAPM PG29/M40 | 7016735 | 6418074091901 | Pg 29 | M40 x 1,5 | 11 | 45 | 25,5 | 30,5 | 50 |

Blanking plug, plastic

GCP M

Metric thread



Technical details

Blanking plug

Polyamide PA6 GF30

Properties

- Single part for use in combination with plastic cable gland

Temperature range

-30...+100 °C

Comment

blanking plug only suitable for application with GPA cable gland of polyamide

| Order symbol | Code | EAN | A | L mm | H mm | Da mm | Da1 mm | Pack |
|-----------------|---------|---------------|-----|---------|---------|----------|-----------|------|
| RAL 7035 | | | | | | | | |
| GCP M12 | 7016587 | 6418074062383 | M12 | 9 | 12,5 | 10 | 5,5 | 50 |
| GCP M16 | 7016588 | 6418074062390 | M16 | 12 | 16 | 13,5 | 9,5 | 50 |
| GCP M20 | 7016589 | 6418074062406 | M20 | 12 | 16,5 | 16,5 | 12 | 50 |
| GCP M25 | 7016590 | 6418074062413 | M25 | 15 | 19,5 | 20,5 | 16 | 50 |
| GCP M32 | 7016591 | 6418074062420 | M32 | 17 | 21,5 | 24,5 | 20 | 25 |
| GCP M40 | 7016592 | 6418074062437 | M40 | 20 | 24 | 32 | 27 | 10 |
| GCP M50 | 7016593 | 6418074062444 | M50 | 25 | 29 | 39 | 35 | 5 |
| GCP M63 | 7016594 | 6418074062451 | M63 | 25 | 29 | 52 | 42 | 5 |

METAL CABLE GLANDS AND ACCESSORIES

Brass is an alloy made of the metals copper and zinc. Brass types containing small proportions of lead as a third component with a view to improving machining properties are also known as free cutting or machining brass. For our cable glands, we use the alloy CuZn39Pb3.

Brass has good mechanical characteristic values, is resistant to water, vapour, various saline solutions and many organic fluids.

Brass is an exemplary recycling material.

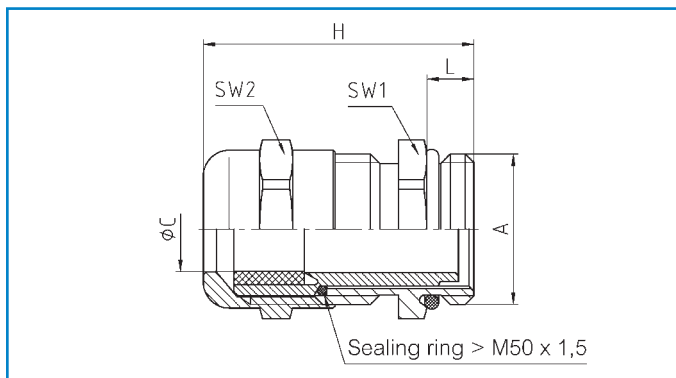
The surface of cable glands and accessories made of brass is coated by galvanisation. The electro nickel plating lends the brass a hard surface and protects it from corrosion, wear and possible stress cracking. The shiny nickel plated surface has a decorative effect and can be polished.



Metal cable gland

GMS M/ML

Metric thread



Technical details

| | |
|-------------------|---------------------------------------|
| Dome nut | Brass CuZn39Pb3, nickel-plated |
| Lamellar insert | Polyamide PA6 V-2 |
| Sealing ring | Polychloroprene-Nitrile rubber CR/NBR |
| Gland body | Brass CuZn39Pb3, nickel-plated |
| O-ring | Nitrile rubber NBR |
| Connecting thread | metric as per EN 60423 |

Properties

- Integrated anchorage
- Protection against twisting
- Wide sealing and clamping range
- Easy-to-install

| | |
|-------------------|-----------------------|
| Temperature range | -20...+100 °C |
| Protection grade | IP68 – 5 bar / IP69K* |
| Test standard | EN 50262 / UL 514B |

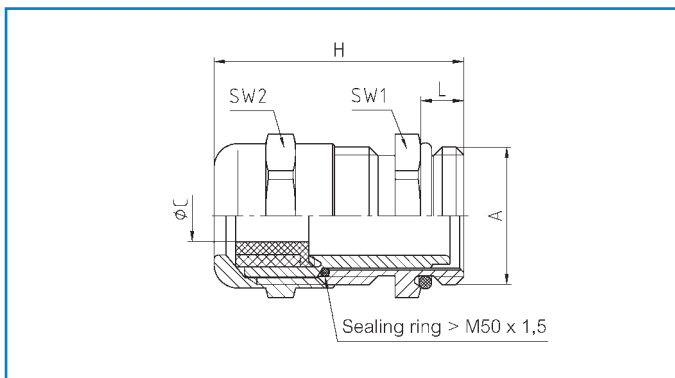
| Order symbol | Code | EAN | A | ØC mm | L mm | SW1 mm | SW2 mm | H mm | Pack |
|---|---------|---------------|-----------|----------|---------|-----------|-----------|---------|------|
| Connecting thread: standard length | | | | | | | | | |
| GMS M12 | 7016312 | 6418074055286 | M12 x 1,5 | 3 – 6 | 5 | 14 | 14 | 25 | 100 |
| GMS M16 | 7016315 | 6418074055293 | M16 x 1,5 | 5 – 9 | 5 | 17 | 17 | 30 | 100 |
| GMS M20 | 7016320 | 6418074055309 | M20 x 1,5 | 9 – 13 | 6 | 22 | 22 | 33,5 | 100 |
| GMS M25 | 7016325 | 6418074055316 | M25 x 1,5 | 11 – 16 | 7 | 27 | 27 | 36,5 | 50 |
| GMS M32 | 7016332 | 6418074055323 | M32 x 1,5 | 14 – 21 | 8 | 34 | 34 | 38 | 25 |
| GMS M40 | 7016340 | 6418074055330 | M40 x 1,5 | 19 – 27 | 8 | 43 | 43 | 41 | 10 |
| GMS M50 | 7016350 | 6418074055347 | M50 x 1,5 | 24 – 35 | 9 | 55 | 55 | 49,5 | 5 |
| GMS M63 | 7016363 | 6418074055354 | M63 x 1,5 | 32 – 42 | 10 | 65 | 65 | 52,5 | 5 |
| GMS M63 | 7016364 | 6418074090614 | M63 x 1,5 | 38 – 48 | 10 | 65 | 65 | 52,5 | 5 |
| Connecting thread: long | | | | | | | | | |
| GMS M12L | 7016365 | 6418074090621 | M12 x 1,5 | 3 – 6 | 10 | 14 | 14 | 30 | 100 |
| GMS M16L | 7016372 | 6418074090645 | M16 x 1,5 | 5 – 9 | 10 | 17 | 17 | 35 | 100 |
| GMS M20L | 7016322 | 6418074092465 | M20 x 1,5 | 9 – 13 | 10 | 22 | 22 | 37,5 | 100 |
| GMS M25L | 7016366 | 6418074090638 | M25 x 1,5 | 11 – 16 | 11 | 27 | 27 | 40,5 | 50 |
| GMS M32L | 7016367 | 6418074090652 | M32 x 1,5 | 14 – 21 | 13 | 34 | 34 | 43 | 25 |
| GMS M40L | 7016368 | 6418074090669 | M40 x 1,5 | 19 – 27 | 13 | 43 | 43 | 46 | 10 |
| GMS M50L | 7016369 | 6418074090676 | M50 x 1,5 | 24 – 35 | 14 | 55 | 55 | 54,5 | 5 |
| GMS M63L | 7016370 | 6418074090683 | M63 x 1,5 | 32 – 42 | 14 | 65 | 65 | 56,5 | 5 |
| GMS M63L | 7016371 | 6418074090690 | M63 x 1,5 | 38 – 48 | 14 | 65 | 65 | 56,5 | 5 |

with Viton sealing ring and Viton O-ring on request
 * IP69K tested for M12 – M25, M50, M63

Metal cable gland

GMS MR/MRL

Metric thread



Technical details

| | |
|---------------------------|---------------------------------------|
| Dome nut | Brass CuZn39Pb3, nickel-plated |
| Lamellar insert | Polyamide PA6 V-2 |
| Sealing ring / outer part | Polychloroprene-Nitrile rubber CR/NBR |
| Sealing ring / inner part | Evoprene TPE |
| Gland body | Brass CuZn39Pb3, nickel-plated |
| O-ring | Nitrile rubber NBR |
| Connecting thread | metric as per EN 60423 |

Properties

- Reducing sealing ring for small cablediameter
- Integrated anchorage,
- Wide sealing and clamping range,
- Protection against twisting
- Easy-to-install

| | |
|-------------------|-----------------------|
| Temperature range | -20...+100 °C |
| Protection grade | IP68 – 5 bar / IP69K* |
| Test standard | EN 50262 / UL 514B |

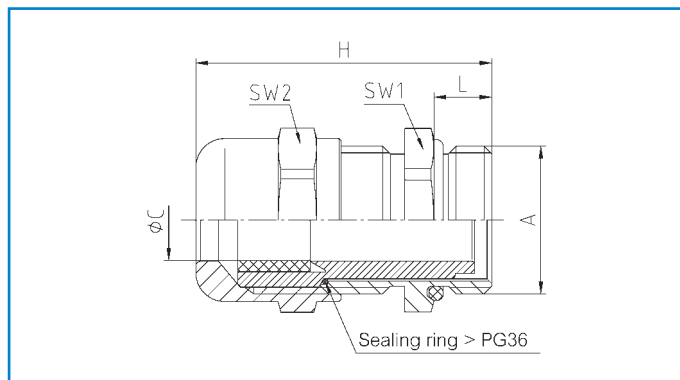
| Order symbol | Code | EAN | A | L mm | øC mm | SW1 mm | SW2 mm | H mm | Pack |
|------------------------------------|---------|---------------|-----------|---------|----------|-----------|-----------|---------|------|
| Connecting thread: standard | | | | | | | | | |
| GMS M12R | 7016840 | 6418074090706 | M12 x 1,5 | 5 | 2 – 5 | 14 | 14 | 25 | 100 |
| GMS M16R | 7016841 | 6418074090713 | M16 x 1,5 | 5 | 3 – 9 | 17 | 17 | 30 | 100 |
| GMS M20R | 7016842 | 6418074090720 | M20 x 1,5 | 6 | 5 – 13 | 22 | 22 | 33,5 | 100 |
| GMS M25R | 7016843 | 6418074090737 | M25 x 1,5 | 7 | 8 – 16 | 27 | 27 | 36,5 | 50 |
| GMS M32R | 7016844 | 6418074090744 | M32 x 1,5 | 8 | 12 – 21 | 34 | 34 | 38 | 25 |
| GMS M40R | 7016845 | 6418074090751 | M40 x 1,5 | 8 | 16 – 27 | 43 | 43 | 41 | 10 |
| GMS M50R | 7016846 | 6418074090768 | M50 x 1,5 | 9 | 21 – 35 | 55 | 55 | 49,5 | 5 |
| GMS M63R | 7016847 | 6418074090775 | M63 x 1,5 | 10 | 27 – 48 | 65 | 65 | 52,5 | 5 |
| Connecting thread: long | | | | | | | | | |
| GMS M12RL | 7016848 | 6418074090782 | M12 x 1,5 | 10 | 2 – 5 | 14 | 14 | 30 | 100 |
| GMS M16RL | 7016849 | 6418074090799 | M16 x 1,5 | 10 | 3 – 9 | 17 | 17 | 35 | 100 |
| GMS M20RL | 7016850 | 6418074090805 | M20 x 1,5 | 10 | 5 – 13 | 22 | 22 | 37,5 | 100 |
| GMS M25RL | 7016851 | 6418074090812 | M25 x 1,5 | 11 | 8 – 16 | 27 | 27 | 40,5 | 50 |
| GMS M32RL | 7016852 | 6418074090829 | M32 x 1,5 | 13 | 12 – 21 | 34 | 34 | 43 | 25 |
| GMS M40RL | 7016853 | 6418074090836 | M40 x 1,5 | 13 | 16 – 27 | 43 | 43 | 46 | 10 |
| GMS M50RL | 7016854 | 6418074090843 | M50 x 1,5 | 14 | 21 – 35 | 55 | 55 | 54,5 | 5 |
| GMS M63RL | 7016855 | 6418074090850 | M63 x 1,5 | 14 | 27 – 48 | 65 | 65 | 56,6 | 5 |

* IP69K tested for M12 – M25, M50, M63

Metal cable gland

GMS PG/PGL

PG thread



Technical details

| | |
|-------------------|---------------------------------------|
| Dome nut | Brass CuZn39Pb3, nickel-plated |
| Lamellar insert | Polyamide PA6 V-2 |
| Sealing ring | Polychloroprene-Nitrile rubber CR/NBR |
| Gland body | Brass CuZn39Pb3, nickel-plated |
| O-ring | Nitrile rubber NBR |
| Connecting thread | Pg as per DIN 40430 |

Properties

- Integrated anchorage
- Protection against twisting
- Wide sealing and clamping range
- Easy-to-install

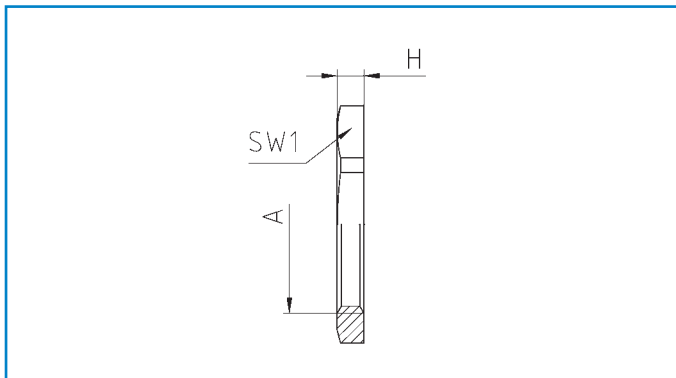
| | |
|-------------------|---------------|
| Temperature range | -20...+100 °C |
| Protection grade | IP68 – 5 bar |

| Order symbol | Code | EAN | A | øC mm | L mm | SW1 mm | SW2 mm | H mm | Pack |
|---|---------|---------------|---------|----------|---------|-----------|-----------|---------|------|
| Connecting thread: standard length | | | | | | | | | |
| GMS PG7 | 7016444 | 6418074055446 | Pg 7 | 3 – 6,5 | 5 | 14 | 14 | 24 | 100 |
| GMS PG9 | 7016445 | 6418074055453 | Pg 9 | 4 – 8 | 6 | 17 | 17 | 29 | 100 |
| GMS PG11 | 7016446 | 6418074055460 | Pg 11 | 5 – 10 | 6 | 20 | 20 | 29,5 | 50 |
| GMS PG13.5 | 7016447 | 6418074055477 | Pg 13,5 | 6 – 12 | 6,5 | 22 | 22 | 31,5 | 50 |
| GMS PG16 | 7016448 | 6418074055484 | Pg 16 | 10 – 14 | 6,5 | 24 | 24 | 31,5 | 50 |
| GMS PG21 | 7016449 | 6418074055491 | Pg 21 | 13 – 18 | 7 | 30 | 30 | 34 | 50 |
| GMS PG29 | 7016450 | 6418074055507 | Pg 29 | 18 – 25 | 8 | 40 | 40 | 39 | 25 |
| GMS PG36 | 7016451 | 6418074055514 | Pg 36 | 24 – 32 | 9 | 50 | 50 | 45 | 10 |
| GMS PG42 | 7016452 | 6418074055521 | Pg 42 | 30 – 38 | 10 | 57 | 57 | 49 | 5 |
| GMS PG48 | 7016453 | 6418074055538 | Pg 48 | 34 – 44 | 10 | 64 | 64 | 52 | 5 |
| Connecting thread: long | | | | | | | | | |
| GMS PG7L | 7016744 | 6418074091918 | Pg 7 | 3 – 6,5 | 15 | 14 | 14 | 34 | 100 |
| GMS PG9L | 7016745 | 6418074012364 | Pg 9 | 4 – 8 | 15 | 17 | 17 | 38 | 100 |
| GMS PG11L | 7016746 | 6418074091925 | Pg 11 | 5 – 10 | 15 | 20 | 20 | 38,5 | 50 |
| GMS PG13.5L | 7016747 | 6418074091932 | Pg 13,5 | 6 – 12 | 15 | 22 | 22 | 40 | 50 |
| GMS PG16L | 7016748 | 6418074091949 | Pg 16 | 10 – 14 | 15 | 24 | 24 | 40 | 50 |
| GMS PG21L | 7016749 | 6418074012371 | Pg 21 | 13 – 18 | 15 | 30 | 30 | 42 | 50 |
| GMS PG29L | 7016740 | 6418074091956 | Pg 29 | 18 – 25 | 15 | 40 | 40 | 46 | 25 |

Hexagonal locknut, metal

GMS MB/B

Metric thread
PG thread



Technical details

Hexagonal locknut
Internal thread

Brass CuZn39Pb3, nickel-plated
metric as per EN 60423 and ISO 965

Properties

- For secure tightening of cable glands and accessories
Temperature range up to +200 °C

| Order symbol | Code | EAN | A | SW1 mm | H mm | Pack |
|------------------------------------|---------|---------------|-----------|-----------|---------|------|
| Connecting thread: standard | | | | | | |
| GMS M12B | 7016770 | 6418074091321 | M12 x 1,5 | 15 | 2,8 | 100 |
| GMS M16B | 7016771 | 6418074091338 | M16 x 1,5 | 19 | 2,8 | 100 |
| GMS M20B | 7016772 | 6418074091345 | M20 x 1,5 | 24 | 3 | 100 |
| GMS M25B | 7016773 | 6418074091352 | M25 x 1,5 | 30 | 3,5 | 100 |
| GMS M32B | 7016774 | 6418074091369 | M32 x 1,5 | 36 | 4 | 100 |
| GMS M40B | 7016775 | 6418074091376 | M40 x 1,5 | 46 | 5 | 50 |
| GMS M50B | 7016776 | 6418074091383 | M50 x 1,5 | 60 | 5 | 50 |
| GMS M63B | 7016777 | 6418074091390 | M63 x 1,5 | 70 | 6 | 50 |

Technical details

Hexagonal locknut
Internal thread

Brass CuZn39Pb3, nickel-plated
Pg as per DIN 40430

Properties

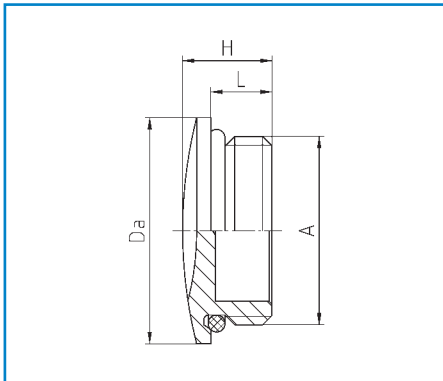
- For secure tightening of cable glands and accessories
Temperature range -60...+200 °C

| Order symbol | Code | EAN | A | SW1 mm | H mm | Pack |
|------------------------------------|---------|---------------|---------|-----------|---------|------|
| Connecting thread: standard | | | | | | |
| GMS PG7B | 7016454 | 6418074055545 | Pg 7 | 15 | 2,8 | 100 |
| GMS PG9B | 7016455 | 6418074055552 | Pg 9 | 18 | 2,8 | 100 |
| GMS PG11B | 7016456 | 6418074055569 | Pg 11 | 21 | 3 | 100 |
| GMS PG13.5B | 7016457 | 6418074055576 | Pg 13,5 | 23 | 3 | 100 |
| GMS PG16B | 7016458 | 6418074055583 | Pg 16 | 26 | 3 | 100 |
| GMS PG21B | 7016459 | 6418074055590 | Pg 21 | 32 | 3,5 | 100 |
| GMS PG29B | 7016460 | 6418074055606 | Pg 29 | 41 | 4 | 100 |
| GMS PG36B | 7016461 | 6418074055613 | Pg 36 | 51 | 5 | 50 |
| GMS PG42B | 7016462 | 6418074055620 | Pg 42 | 60 | 5 | 50 |
| GMS PG48B | 7016463 | 6418074055637 | Pg 48 | 64 | 5,5 | 50 |

Screw plug, metal

GSM M/PG

Metric thread
PG thread



Technical details

Screw plug Brass CuZn39Pb3, nickel-plated
O-ring Nitrile rubber NBR
Connecting thread metric as per EN 60423

Properties

- For secure sealing of unused threaded or clearance holes
Temperature range -30...+100 °C
Protection grade IP65 / IP68
Type 4X
Test standard UL 514A, 25 / UL 50, 35.2 / UL 746C, 14

| Order symbol | Code | EAN | A | L mm | H mm | Da mm | Pack |
|--------------|---------|---------------|-----------|------|------|-------|------|
| GSM M12 slot | 7016620 | 6418074091482 | M12 x 1,5 | 5 | 8 | 16 | 100 |
| GSM M16 slot | 7016621 | 6418074091499 | M16 x 1,5 | 6 | 9 | 20 | 100 |
| GSM M20 slot | 7016622 | 6418074091505 | M20 x 1,5 | 6,5 | 9,5 | 24 | 100 |
| GSM M25 slot | 7016623 | 6418074091512 | M25 x 1,5 | 7 | 11 | 28 | 100 |
| GSM M32 slot | 7016624 | 6418074091529 | M32 x 1,5 | 8 | 12 | 35 | 50 |
| GSM M40 slot | 7016625 | 6418074091536 | M40 x 1,5 | 8 | 12 | 45 | 50 |
| GSM M50 slot | 7016626 | 6418074091543 | M50 x 1,5 | 9 | 15 | 55 | 25 |
| GSM M63 slot | 7016627 | 6418074091550 | M63 x 1,5 | 10 | 16 | 68 | 10 |

Technical details

Screw plug Brass CuZn39Pb3, nickel-plated
O-ring Nitrile rubber NBR
Connecting thread Pg as per DIN 40430

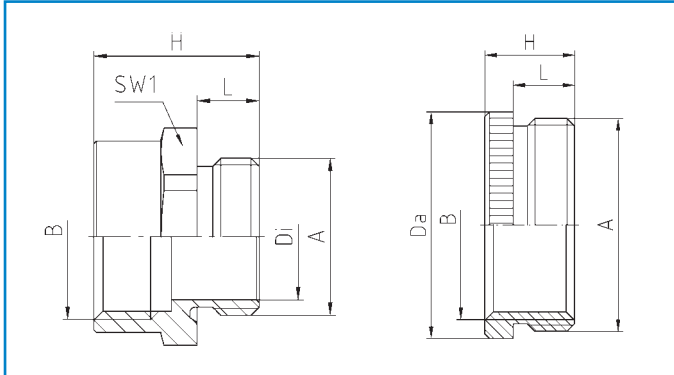
Properties

- For secure sealing of unused threaded or clearance holes
Temperature range -30...+100 °C
Protection grade IP68

| Order symbol | Code | EAN | A | L mm | H mm | Da mm | Pack |
|-----------------|---------|---------------|---------|------|------|-------|------|
| Round | | | | | | | |
| GSM PG7 slot | 7016920 | 6418074091963 | Pg 7 | 4,5 | 7 | 16 | 100 |
| GSM PG9 slot | 7016921 | 6418074091970 | Pg 9 | 4,5 | 8 | 19 | 100 |
| GSM PG11 slot | 7016922 | 6418074091987 | Pg 11 | 4,5 | 8 | 22 | 100 |
| GSM PG13.5 slot | 7016923 | 6418074091994 | Pg 13,5 | 6 | 10 | 24 | 100 |
| GSM PG16 slot | 7016924 | 6418074092007 | Pg 16 | 6 | 10 | 26 | 100 |
| GSM PG21 slot | 7016925 | 6418074092014 | Pg 21 | 6,5 | 10 | 32 | 100 |
| GSM PG29 slot | 7016926 | 6418074092021 | Pg 29 | 8 | 12 | 39 | 50 |
| GSM PG36 slot | 7016927 | 6418074092038 | Pg 36 | 9 | 15 | 50 | 25 |
| GSM PG42 slot | 7016928 | 6418074092045 | Pg 42 | 10 | 16 | 57 | 25 |
| GSM PG48 slot | 7016929 | 6418074092052 | Pg 48 | 10 | 16 | 64 | 10 |

Adapter, metal

GMSPM PG/M



Technical details

Adapter

External thread

Internal thread

Brass CuZn39Pb3, nickel-plated

Pg as per DIN 40430

metric as per EN 60423

Properties

- Adapter from Pg to metric threaded holes

Temperature range

up to +200 °C

Protection grade

dependent on the combination
with other components

| Order symbol | Code | EAN | A | B | L mm | SW1 mm | H mm | Di mm | Pack |
|------------------|---------|---------------|---------|-----------|---------|-----------|---------|----------|------|
| Hexagonal | | | | | | | | | |
| GMSPM PG7/M12 | 7016600 | 6418074091567 | Pg 7 | M12 x 1,5 | 5 | 14 | 15 | 9 | 100 |
| GMSPM PG9/M16 | 7016601 | 6418074091574 | Pg 9 | M16 x 1,5 | 6 | 19 | 16 | 12,2 | 100 |
| GMSPM PG11/M16 | 7016602 | 6418074091581 | Pg 11 | M16 x 1,5 | 6 | 22 | 16 | 13 | 100 |
| GMSPM PG13.5/M20 | 7016603 | 6418074091598 | Pg 13,5 | M20 x 1,5 | 6,5 | 24 | 17,5 | 16 | 100 |
| GMSPM PG16/M20 | 7016604 | 6418074091604 | Pg 16 | M20 x 1,5 | 6,5 | 27 | 17,5 | 18,5 | 100 |
| GMSPM PG16/M25 | 7016605 | 6418074091611 | Pg 16 | M25 x 1,5 | 6,5 | 30 | 18,5 | 18,5 | 100 |
| GMSPM PG21/M25 | 7016606 | 6418074091628 | Pg 21 | M25 x 1,5 | 7 | 32 | 19 | 23 | 100 |
| GMSPM PG21/M32 | 7016607 | 6418074091635 | Pg 21 | M32 x 1,5 | 7 | 36 | 20 | 23 | 100 |
| GMSPM PG29/M40 | 7016608 | 6418074091642 | Pg 29 | M40 x 1,5 | 8 | 43 | 21 | 32 | 50 |
| GMSPM PG36/M50 | 7016609 | 6418074091659 | Pg 36 | M50 x 1,5 | 9 | 55 | 23 | 42 | 25 |
| GMSPM PG42/M63 | 7016610 | 6418074091666 | Pg 42 | M63 x 1,5 | 10 | 65 | 25 | 48 | 10 |

EMC CABLE GLANDS AND ACCESSORIES

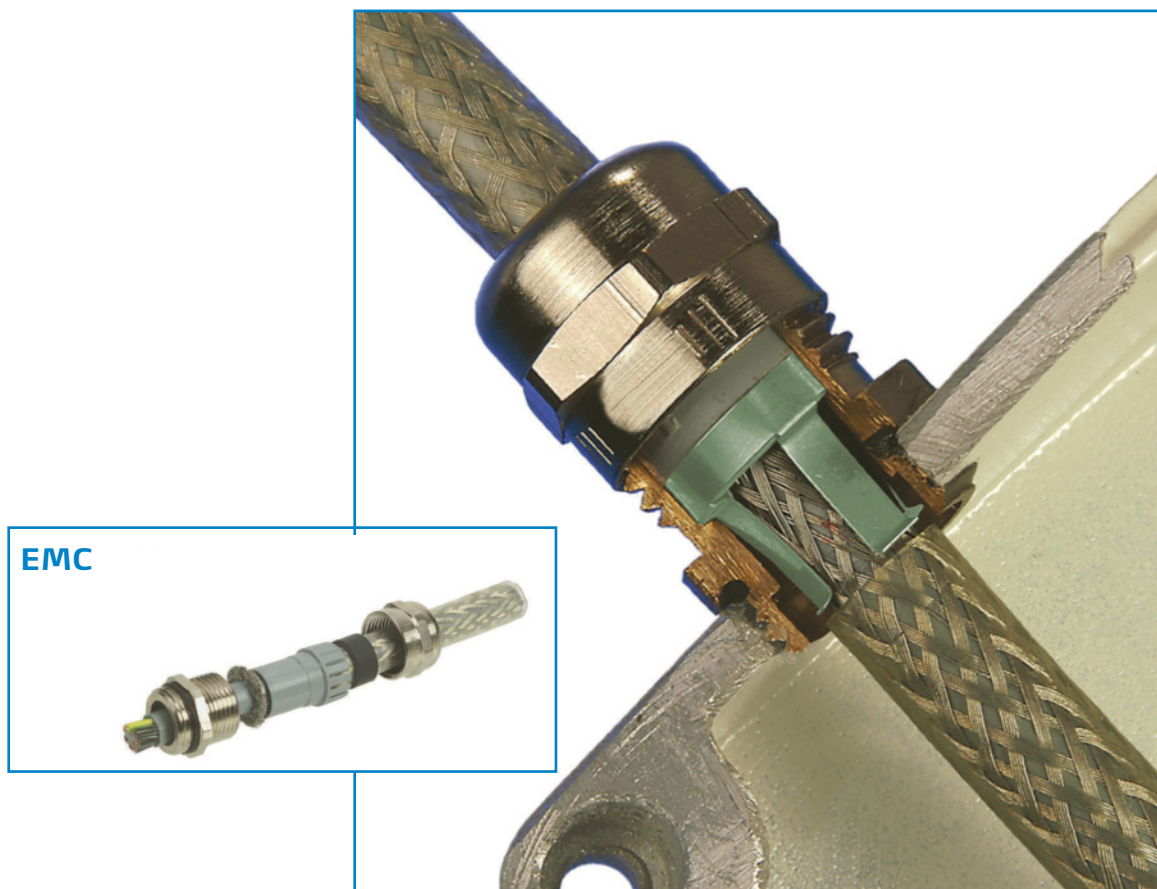
Fundamentals, assembly instruction

One important quality characteristics of electrical and electronic products is their electromagnetic compatibility (EMC). To ensure trouble-free operation of electrical appliances, systems and plants, the basic EMC requirements must be met, i.e. electrical devices must be protected from interference and must not themselves interfere with other appliances and equipment.

In the field of plant engineering arise special problems due to enormous cable lengths for energy supply and data transmission. Cables and

leads from a certain size on have a similar behaviour like an antenna and are therefore a considerable coupling source for interference. Due to the antenna-like action electromagnetic interference is received and heterodynes the wanted signal. The result may be a malfunction of the appliance up to a total breakdown of the machines or production lines.

An effective protection in such cases is the use of cables and leads with shielding, that consists of a dense wire gauze or a thin metal foil. The function of the shielding is to trap and cushion interferences.



Cable glands play an important part in safeguarding EMC requirements where cables and leads enter into a shielding system. They have to ensure a permanent connection with very low ohmic or inductive resistance between the cable shield and the housing potential.



The equipotential bonding and the vibration protection can be improved further by using our hexagonal locknut with cutting edges – see page 25 - 26.

Our EMC cable glands meets these requirements in an outstanding way.

The assembly of cable gland type GMS EMC/M/ML is quick and easy:

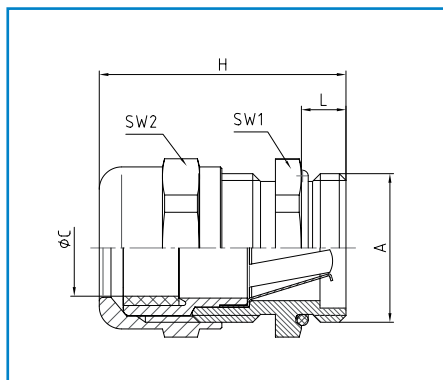
1. Partially expose the braided screen by removing the outer sheath of the cable at a length of approx. 10 mm
2. Insert the cable through the dome nut and the gland body until the contact spring is pressed against the braided screen.
3. Firmly screw on dome nut – finished!

Due to this principle it is possible to conduct the braided screen of the EMC cable through the entire gland body up to the clamping area of the inner wires.

EMC cable gland

GMS EMC M/ML

Metric thread



Technical details

| | |
|-------------------|---------------------------------------|
| Dome nut | Brass CuZn39Pb3, nickel-plated |
| Lamellar insert | Polyamide PA6 V-2 |
| Sealing ring | Polychloroprene-Nitrile rubber CR/NBR |
| Contact spring | Stainless steel |
| Gland body | Brass CuZn39Pb3, nickel-plated |
| O-ring | Nitrile rubber NBR |
| Connecting thread | metric as per EN 60423 |

Properties

- For cables with shielding, quick and easy EMC connection of the cable shield via the contacting spring with the Gland body and the housing potential
- Integrated anchorage
- Wide sealing and clamping range

| | |
|-------------------|---------------|
| Temperature range | -20...+100 °C |
| Protection grade | IP68 |
| Test standard | UL 514B |

| Order symbol | Code | EAN | A | ϕC mm | L mm | SW1 mm | SW2 mm | H mm | Pack |
|---|---------|---------------|-----------|----------------|---------|-----------|-----------|---------|------|
| Connecting thread: standard length | | | | | | | | | |
| GMS EMC2 M16 | 7016820 | 6418074090867 | M16 x 1,5 | 5 - 9 | 5 | 17 | 17 | 30 | 100 |
| GMS EMC2 M20 | 7016821 | 6418074090874 | M20 x 1,5 | 9 - 13 | 6 | 22 | 22 | 33,5 | 100 |
| GMS EMC2 M25 | 7016822 | 6418074090881 | M25 x 1,5 | 11 - 16 | 7 | 27 | 27 | 36,5 | 50 |
| GMS EMC2 M32 | 7016823 | 6418074090898 | M32 x 1,5 | 14 - 21 | 8 | 34 | 34 | 38 | 25 |
| GMS EMC2 M40 | 7016824 | 6418074090904 | M40 x 1,5 | 19 - 27 | 8 | 43 | 43 | 41 | 10 |
| GMS EMC2 M50 | 7016825 | 6418074090911 | M50 x 1,5 | 24 - 35 | 9 | 55 | 55 | 49,5 | 5 |
| GMS EMC2 M63 | 7016826 | 6418074090928 | M63 x 1,5 | 32 - 42 | 10 | 65 | 65 | 52,5 | 5 |
| Connecting thread: long | | | | | | | | | |
| GMS EMC2 M16L | 7016827 | 6418074090935 | M16 x 1,5 | 5 - 9 | 10 | 17 | 17 | 35 | 100 |
| GMS EMC2 M20L | 7016828 | 6418074090942 | M20 x 1,5 | 9 - 13 | 10 | 22 | 22 | 37,5 | 100 |
| GMS EMC2 M25L | 7016829 | 6418074090959 | M25 x 1,5 | 11 - 16 | 11 | 27 | 27 | 40,5 | 50 |
| GMS EMC2 M32L | 7016830 | 6418074090966 | M32 x 1,5 | 14 - 21 | 13 | 34 | 34 | 43 | 25 |
| GMS EMC2 M40L | 7016831 | 6418074090973 | M40 x 1,5 | 19 - 27 | 13 | 43 | 43 | 46 | 10 |

EMC cable gland

Fundamentals, assembly instruction

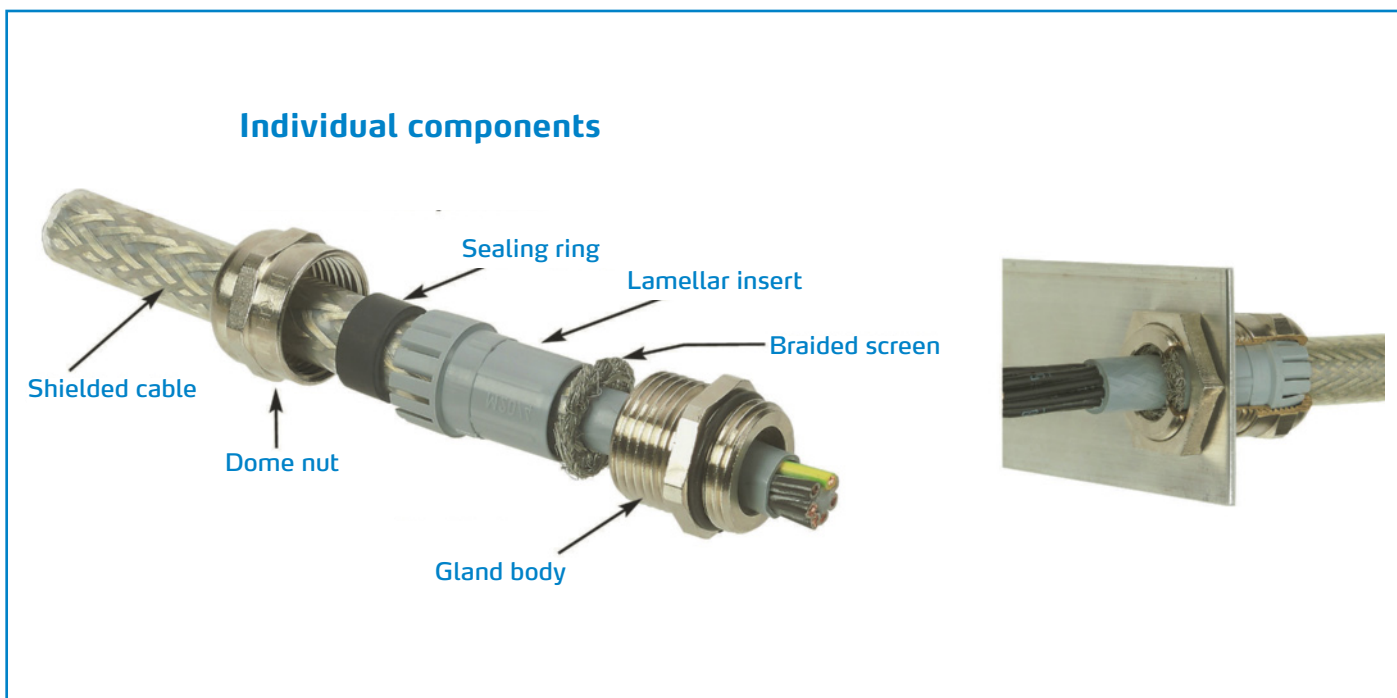
Our EMC cable gland type GMS EMC/M/ML/MW ensures continuous contacting without gaps. The dome nut and the lamellar insert are simply pushed onto the lead. The exposed cable shield is folded around the lamellar insert, and the gland body is then pushed on.

The screw-fitting of the dome nut ensures that the cable shield is pressed over a large surface between the torsion-protected lamellar insert and the gland body.

The result is a very good metal contact area of the cable shield via the gland body to the housing protected from external environmental influences.

Assembly instruction

1. Cut off outer cable sheath and expose braided screen over a length of approx. 10 – 15 mm, depending on the cable diameter.
2. Push dome nut and lamellar insert with sealing ring on to the cable.
3. Bend braided screen outwards at a right angle (90°).
4. Fold braided screen towards outer sheath, i.e. by another 180°.
5. Push gland body up to braided screen and turn briefly around both sides of the cable axis.
6. Push lamellar insert with sealing ring into gland body and snap anti-rotation element into place.
7. Firmly screw on dome nut.



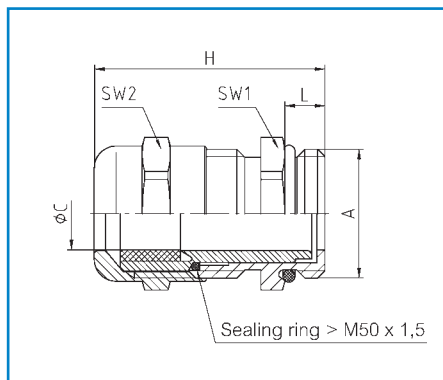
EMC test report

Our EMC cable glands type GMS/M/ML/MW have been tested to the VG standard for transfer 95373 Part 40 for transfer impedance and shield attenuation. On request, we will be pleased to provide you with a copy of the complete test report.

EMC cable gland

GMS EMC M/ML/MW

Metric thread



Technical details

| | |
|-------------------|---------------------------------------|
| Dome nut | Brass CuZn39Pb3, nickel-plated |
| Lamellar insert | Polyamide PA6 V-2 |
| Sealing ring | Polychloroprene-Nitrile rubber CR/NBR |
| Gland body | Brass CuZn39Pb3, nickel-plated |
| O-ring | Nitrile rubber NBR |
| Connecting thread | metric as per EN 60423 |

Properties

- For cables with shielding
- Integrated anchorage
- Protection against twisting
- Wide sealing and clamping range

| | |
|-------------------|-----------------------|
| Temperature range | -20...+100 °C |
| Protection grade | IP68 – 5 bar / IP69K* |
| Test standard | EN 50262 / UL 514B |

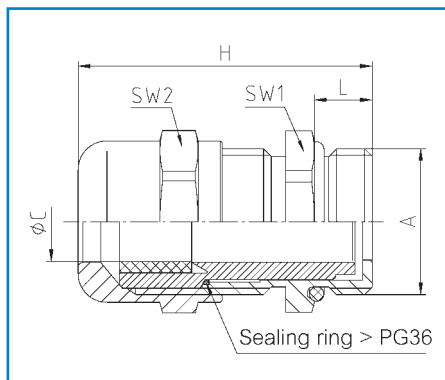
| Order symbol | Code | EAN | A | øC mm | L mm | SW1 mm | SW2 mm | H mm | Pack |
|---|---------|---------------|-----------|----------|---------|-----------|-----------|---------|------|
| Connecting thread: standard length | | | | | | | | | |
| GMS EMC M12 | 7016790 | 6418074090980 | M12 x 1,5 | 3 – 6 | 5 | 14 | 14 | 25 | 100 |
| GMS EMC M16 | 7016791 | 6418074090997 | M16 x 1,5 | 5 – 9 | 5 | 17 | 17 | 30 | 100 |
| GMS EMC M20 | 7016792 | 6418074091000 | M20 x 1,5 | 9 – 13 | 6 | 22 | 22 | 33,5 | 100 |
| GMS EMC M25 | 7016793 | 6418074091017 | M25 x 1,5 | 11 – 16 | 7 | 27 | 27 | 36,5 | 50 |
| GMS EMC M32 | 7016794 | 6418074091024 | M32 x 1,5 | 14 – 21 | 8 | 34 | 34 | 38 | 25 |
| GMS EMC M40 | 7016795 | 6418074091031 | M40 x 1,5 | 19 – 27 | 8 | 43 | 43 | 41 | 10 |
| GMS EMC M50 | 7016796 | 6418074091048 | M50 x 1,5 | 24 – 35 | 9 | 55 | 55 | 49,5 | 5 |
| GMS EMC M63 | 7016797 | 6418074091055 | M63 x 1,5 | 32 – 42 | 10 | 65 | 65 | 52,5 | 5 |
| Connecting thread: long | | | | | | | | | |
| GMS EMC M12L | 7016806 | 6418074091147 | M12 x 1,5 | 3 – 6 | 10 | 14 | 14 | 30 | 100 |
| GMS EMC M16L | 7016807 | 6418074091154 | M16 x 1,5 | 5 – 9 | 10 | 17 | 17 | 35 | 100 |
| GMS EMC M20L | 7016808 | 6418074091161 | M20 x 1,5 | 9 – 13 | 10 | 22 | 22 | 37,5 | 100 |
| GMS EMC M25L | 7016809 | 6418074091178 | M25 x 1,5 | 11 – 16 | 11 | 27 | 27 | 40,5 | 50 |
| GMS EMC M32L | 7016810 | 6418074091185 | M32 x 1,5 | 14 – 21 | 13 | 34 | 34 | 43 | 25 |
| GMS EMC M40L | 7016811 | 6418074091192 | M40 x 1,5 | 19 – 27 | 13 | 43 | 43 | 46 | 10 |
| GMS EMC M50L | 7016812 | 6418074091208 | M50 x 1,5 | 24 – 35 | 14 | 55 | 55 | 54,5 | 5 |
| GMS EMC M63L | 7016813 | 6418074091215 | M63 x 1,5 | 32 – 42 | 14 | 65 | 65 | 56,5 | 5 |
| Connecting thread: wide | | | | | | | | | |
| GMS EMC M16W | 7016799 | 6418074091079 | M16 x 1,5 | 3 – 9 | 5 | 17 | 17 | 30 | 100 |
| GMS EMC M20W | 7016800 | 6418074091086 | M20 x 1,5 | 5 – 13 | 6 | 22 | 22 | 33,5 | 100 |
| GMS EMC M25W | 7016801 | 6418074091093 | M25 x 1,5 | 8 – 16 | 7 | 27 | 27 | 36,5 | 50 |
| GMS EMC M32W | 7016802 | 6418074091109 | M32 x 1,5 | 12 – 21 | 8 | 34 | 34 | 38 | 25 |
| GMS EMC M40W | 7016803 | 6418074091116 | M40 x 1,5 | 16 – 27 | 8 | 43 | 43 | 41 | 10 |
| GMS EMC M50W | 7016804 | 6418074091123 | M50 x 1,5 | 21 – 35 | 9 | 55 | 55 | 49,5 | 5 |
| GMS EMC M63W | 7016805 | 6418074091130 | M63 x 1,5 | 27 – 48 | 10 | 65 | 65 | 52,5 | 5 |

* IP69K tested for M12-M25, M50, M63

EMC cable gland

GMS EMC

PG thread



Technical details

| | |
|-------------------|---------------------------------------|
| Dome nut | Brass CuZn39Pb3, nickel-plated |
| Lamellar insert | Polyamide PA6 V-2 |
| Sealing ring | Polychloroprene-Nitrile rubber CR/NBR |
| Gland body | Brass CuZn39Pb3, nickel-plated |
| O-ring | Nitrile rubber NBR |
| Connecting thread | Pg as per DIN 40430 |

Properties

- For cables with shielding
- Integrated anchorage
- Protection against twisting
- Wide sealing and clamping range

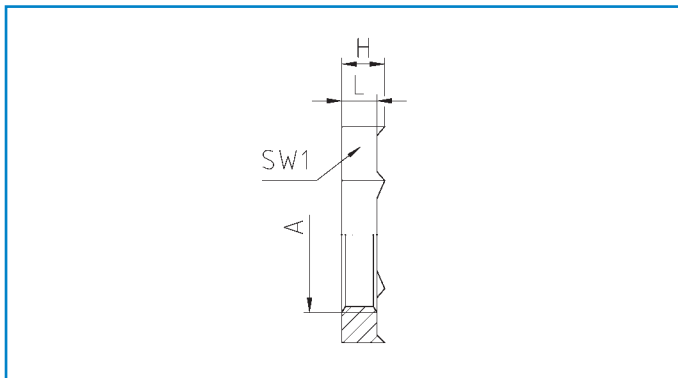
| | |
|-------------------|---------------|
| Temperature range | -20...+100 °C |
| Protection grade | IP68 – 5 bar |

| Order symbol | Code | EAN | A | φC mm | L mm | SW1 mm | SW2 mm | H mm | Pack |
|---|---------|---------------|---------|----------|---------|-----------|-----------|---------|------|
| Connecting thread: standard length | | | | | | | | | |
| GMS EMC PG7 | 7016551 | 6418074056559 | Pg 7 | 3 – 6,5 | 5 | 14 | 14 | 24 | 100 |
| GMS EMC PG9 | 7016552 | 6418074056566 | Pg 9 | 4 – 8 | 6 | 17 | 17 | 29 | 100 |
| GMS EMC PG11 | 7016553 | 6418074056573 | PG 11 | 5 – 10 | 6 | 20 | 20 | 29,5 | 100 |
| GMS EMC PG13.5 | 7016554 | 6418074056580 | Pg 13,5 | 6 – 12 | 6,5 | 22 | 22 | 31,5 | 50 |
| GMS EMC PG16 | 7016555 | 6418074056597 | Pg 16 | 10 – 14 | 6,5 | 24 | 24 | 31,5 | 50 |
| GMS EMC PG21 | 7016556 | 6418074056603 | Pg 21 | 13 – 18 | 7 | 30 | 30 | 34 | 25 |
| GMS EMC PG29 | 7016557 | 6418074056610 | Pg 29 | 18 – 25 | 8 | 40 | 40 | 39 | 25 |
| GMS EMC PG36 | 7016558 | 6418074056627 | Pg 36 | 24 – 32 | 9 | 50 | 50 | 45 | 10 |
| GMS EMC PG42 | 7016559 | 6418074056634 | Pg 42 | 30 – 38 | 10 | 57 | 57 | 49 | 5 |
| GMS EMC PG48 | 7016560 | 6418074056641 | Pg 48 | 34 – 44 | 10 | 64 | 64 | 52 | 5 |

Hexagonal locknut, EMC

GMS EMC MB

Metric thread



Technical details

Hexagonal locknut
Internal thread

Brass CuZn39Pb3, nickel-plated
metric as per EN 60423

Properties

- With cutting edges for secure tightening of EMC-cable glands
- To cut through paint layers or powder coatings ensuring optimal contact for equipotential bonding
- Increased vibration resistance

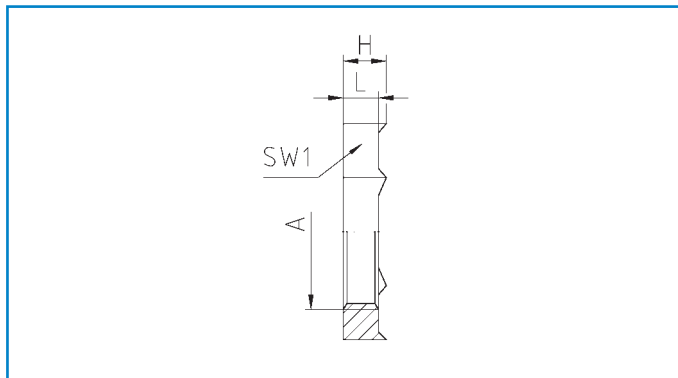
Temperature range up to +200 °C

| Order symbol | Code | EAN | A | L mm | SW1 mm | H mm | Pack |
|---------------------------|---------|---------------|-----------|---------|-----------|---------|------|
| With cutting edges | | | | | | | |
| GMS EMC M12B | 7016756 | 6418074091406 | M12 x 1,5 | 4,5 | 15 | 5,5 | 100 |
| GMS EMC M16B | 7016757 | 6418074091413 | M16 x 1,5 | 4,5 | 19 | 5,5 | 100 |
| GMS EMC M20B | 7016758 | 6418074091420 | M20 x 1,5 | 4,5 | 24 | 5,5 | 100 |
| GMS EMC M25B | 7016759 | 6418074091437 | M25 x 1,5 | 4,5 | 30 | 5,5 | 100 |
| GMS EMC M32B | 7016760 | 6418074091444 | M32 x 1,5 | 4,5 | 36 | 5,5 | 100 |
| GMS EMC M40B | 7016761 | 6418074091451 | M40 x 1,5 | 5 | 46 | 6 | 50 |
| GMS EMC M50B | 7016762 | 6418074091468 | M50 x 1,5 | 5 | 60 | 6 | 50 |
| GMS EMC M63B | 7016763 | 6418074091475 | M63 x 1,5 | 6 | 70 | 7 | 50 |

Hexagonal locknut, EMC

GMS EMC PGB

PG thread



Technical details

Hexagonal locknut
Internal thread

Brass CuZn39Pb3, nickel-plated
Pg as per DIN 40430

Properties

- With cutting edges for secure tightening of EMC-cable glands
- To cut through paint layers or powder coatings ensuring optimal contact for equipotential bonding
- increased vibration resistance

Temperature range -60...+200 °C

| Order symbol | Code | EAN | A | L mm | SW1 mm | H mm | Pack |
|---------------------------|---------|---------------|---------|---------|-----------|---------|------|
| With cutting edges | | | | | | | |
| GMS EMC PG7B | 7016930 | 6418074093721 | Pg 7 | 3,7 | 15 | 4,7 | 100 |
| GMS EMC PG9B | 7016931 | 6418074093738 | Pg 9 | 3,7 | 18 | 4,7 | 100 |
| GMS EMC PG11B | 7016932 | 6418074093745 | Pg 11 | 3,7 | 21 | 4,7 | 100 |
| GMS EMC PG13,5B | 7016933 | 6418074093752 | Pg 13,5 | 3,7 | 23 | 4,7 | 100 |
| GMS EMC PG16B | 7016934 | 6418074093769 | Pg 16 | 3,7 | 26 | 4,7 | 100 |
| GMS EMC PG21B | 7016935 | 6418074093776 | Pg 21 | 4,2 | 32 | 5,2 | 100 |
| GMS EMC PG29B | 7016936 | 6418074093783 | Pg 29 | 4,7 | 41 | 5,7 | 100 |
| GMS EMC PG36B | 7016937 | 6418074093790 | Pg 36 | 5 | 51 | 6 | 50 |
| GMS EMC PG42B | 7016938 | 6418074093806 | Pg 42 | 5 | 60 | 6 | 50 |
| GMS EMC PG48B | 7016939 | 6418074093813 | Pg 48 | 5,5 | 64 | 6,5 | 50 |

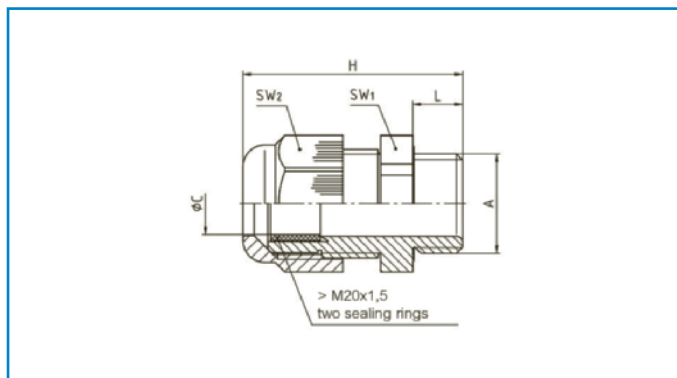
EX CABLE GLANDS AND ACCESSORIES



Ex cable gland, plastic

GPA ExM

Metric thread



Technical details

| | |
|-------------------------|---------------------------------------|
| Dome nut | Polyamide PA6 |
| Dust cap | Polyethylene PE-LD |
| Sealing ring/outer part | Polychloroprene-Nitrile rubber CR/NBR |
| Sealing ring/inner part | Evoprene TPE (from M20 x 1,5) |
| Gland body | Polyamide PA6 |
| Connecting thread | metric, as per EN 60423 |

Properties

- Wide sealing and clamping range
- Integrated anchorage
- Easy-to-install

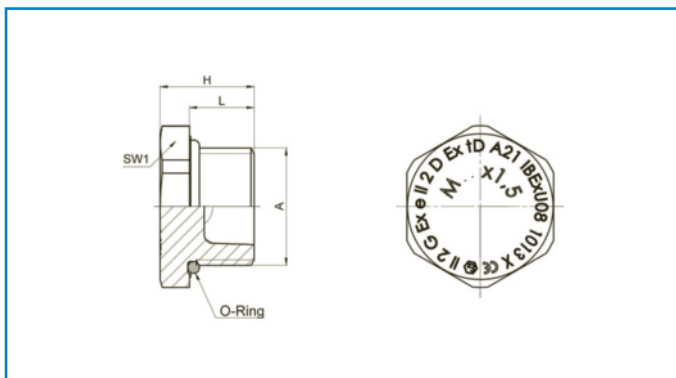
| | |
|--------------------|--|
| Equipment group | II |
| Category / Zone | 2G, 2D and 3G/ 1, 2, 21, 22 |
| Type of protection | Ex e, increased safety Ex tD A21 – Protection by enclosures fixed |
| Cable installation | fixed |
| Temperature range | -20...+70 (M12 and M16) °C -30...+70 (M20 to M63) °C |
| Protection grade | IP66 |
| Test standard | EN 60079-0 / EN 60079-7 EN 61241-0 / EN 61241-1 |

| Order symbol | Code | EAN | A | øC mm | L mm | SW1 mm | SW2 mm | H mm | Pack |
|---|---------|---------------|-----------|----------|------|--------|--------|------|------|
| RAL 9005: Connecting thread: standard length | | | | | | | | | |
| GPA Ex M12 9005 | 7016436 | 6418074055200 | M12 x 1,5 | 4 – 7 | 8 | 15 | 15 | 31 | 100 |
| GPA Ex M16 9005 | 7016437 | 6418074055217 | M16 x 1,5 | 5,5 – 10 | 8 | 20 | 20 | 35,5 | 100 |
| GPA Ex M20 9005 | 7016438 | 6418074055224 | M20 x 1,5 | 5,5 – 13 | 8 | 24 | 24 | 37 | 100 |
| GPA Ex M25 9005 | 7016439 | 6418074055231 | M25 x 1,5 | 8 – 17 | 8 | 29 | 29 | 43 | 50 |
| GPA Ex M32 9005 | 7016440 | 6418074055248 | M32 x 1,5 | 12 – 21 | 10 | 36 | 36 | 50 | 25 |
| GPA Ex M40 9005 | 7016441 | 6418074055255 | M40 x 1,5 | 17 – 28 | 10 | 46 | 46 | 51 | 10 |
| GPA Ex M50 9005 | 7016442 | 6418074055262 | M50 x 1,5 | 22 – 35 | 12 | 55 | 55 | 61,5 | 5 |
| GPA Ex M63 9005 | 7016443 | 6418074055279 | M63 x 1,5 | 27 – 48 | 12 | 68 | 68 | 65,5 | 5 |
| RAL 5015: Connecting thread: standard length | | | | | | | | | |
| GPA Ex M12 5015 | 7016636 | 6418074015921 | M12 x 1,5 | 4 – 7 | 8 | 15 | 15 | 31 | 100 |
| GPA Ex M16 5015 | 7016637 | 6418074015938 | M16 x 1,5 | 5,5 – 10 | 8 | 20 | 20 | 35,5 | 100 |
| GPA Ex M20 5015 | 7016638 | 6418074015945 | M20 x 1,5 | 5,5 – 13 | 8 | 24 | 24 | 37 | 100 |
| GPA Ex M25 5015 | 7016639 | 6418074015952 | M25 x 1,5 | 8 – 17 | 8 | 29 | 29 | 43 | 50 |
| GPA Ex M32 5015 | 7016640 | 6418074015969 | M32 x 1,5 | 12 – 21 | 10 | 36 | 36 | 50 | 25 |
| GPA Ex M40 5015 | 7016641 | 6418074015976 | M40 x 1,5 | 17 – 28 | 10 | 46 | 46 | 51 | 10 |
| GPA Ex M50 5015 | 7016642 | 6418074015983 | M50 x 1,5 | 22 – 35 | 12 | 55 | 55 | 61,5 | 5 |
| GPA Ex M63 5015 | 7016643 | 6418074015990 | M63 x 1,5 | 27 – 48 | 12 | 68 | 68 | 65,5 | 5 |

Ex screw plug, plastic

GSP MSeX

Metric thread



Technical details

Screw plug Polyamide PA6 GF30 V-0
 O-ring Choice from three materials possible:
 01: Silicone rubber VMQ
 02: Ethylene-Propylene rubber EPDM
 03: Nitrile rubber NBR
 Connecting thread metric, as per EN 60423

Properties

- For secure sealing of unused threaded or clearance hole

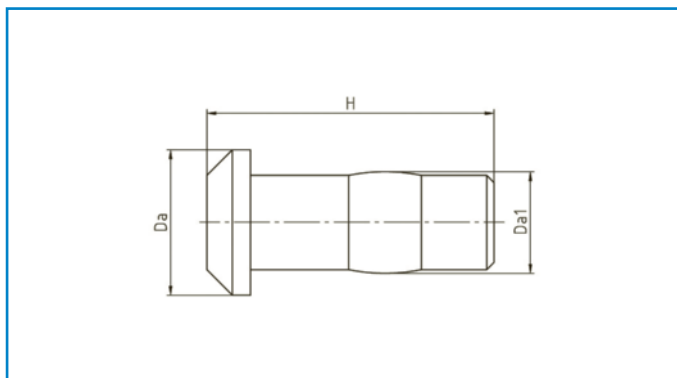
Equipment group II
 Category / Zone 2G, 2D and 3G/ 1, 2, 21, 22
 Type of protection Ex e, increased safety
 Ex tD A21 – Protection by enclosures
 Temperature range 01: -55 °C/ +95 °C
 depending on the material of O-ring
 02 und 03: -40 °C/ +95 °C
 Protection grade IP66 / IP68
 10 (6h) bar
 IP69K
 Test standard EN 60079-0 / EN 60079-7
 EN 61241-0 / EN 61241-1

| Order symbol | Code | EAN | A | L mm | SW1 mm | H mm | O-ring Material | Pack |
|-----------------------|---------|---------------|-----------|---------|-----------|---------|--------------------|------|
| RAL 9005 | | | | | | | | |
| GSP M12S Ex hexagonal | 7016690 | 6418074092380 | M12 x 1,5 | 10 | 16 | 15 | VMQ | 100 |
| GSP M16S Ex hexagonal | 7016691 | 6418074092397 | M16 x 1,5 | 10 | 21 | 21 | VMQ | 100 |
| GSP M20S Ex hexagonal | 7016692 | 6418074092403 | M20 x 1,5 | 11 | 25 | 16 | VMQ | 100 |
| GSP M25S Ex hexagonal | 7016693 | 6418074092410 | M25 x 1,5 | 11,5 | 30 | 17,5 | VMQ | 100 |
| GSP M32S Ex hexagonal | 7016694 | 6418074092427 | M32 x 1,5 | 13 | 37 | 20 | VMQ | 50 |
| GSP M40S Ex hexagonal | 7016695 | 6418074092434 | M40 x 1,5 | 13 | 46 | 20 | VMQ | 25 |
| GSP M50S Ex hexagonal | 7016696 | 6418074092441 | M50 x 1,5 | 15 | 56 | 23 | VMQ | 25 |
| GSP M63S Ex hexagonal | 7016697 | 6418074092458 | M63 x 1,5 | 15 | 69 | 23 | VMQ | 25 |

Ex blanking plug, plastic

GCP MEx

Metric thread



Technical details

Blanking plug

Polyamide PA6, red

Properties

- Protective closure for uninstalled EX cable glands Ex cable glands
- Application only in Ex cable glands GPA Ex

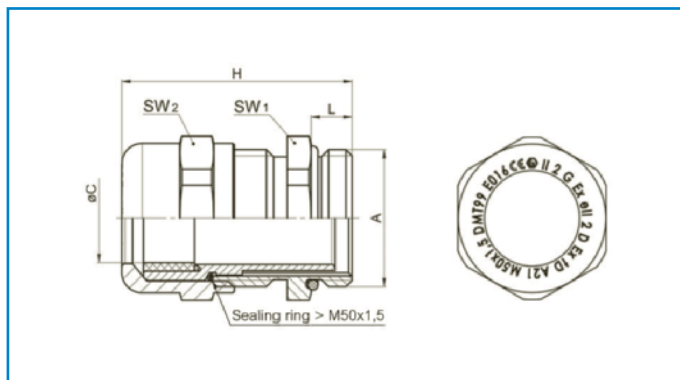
| | |
|--------------------|--|
| Equipment group | II |
| Category / Zone | 2G, 2D and 3G/ 1, 2, 21, 22 |
| Type of protection | Ex e, increased safety Ex tD A21 – Protection by enclosures |
| Temperature range | +20...+70 °C (M12 and M16) °C -55...+70 °C (M20 to M32) °C |
| Protection grade | IP66 |
| Test standard | EN 60079-0 / EN 60079-7 EN 61241-0 / EN 61241-1 |

| Order symbol | Code | EAN | Size | H mm | Da mm | Da1 mm | Pack |
|--------------|---------|---------------|------|------|-------|--------|------|
| Red | | | | | | | |
| GCP M12 Ex | 7016870 | 6418074092496 | 12 | 30,3 | 7 | 6 | 20 |
| GCP M16 Ex | 7016871 | 6418074092502 | 16 | 33 | 8 | 7 | 20 |
| GCP M20 Ex | 7016872 | 6418074092519 | 20 | 34,5 | 12 | 8,5 | 20 |
| GCP M25 Ex | 7016873 | 6418074092526 | 25 | 36 | 16 | 11 | 20 |
| GCP M32 Ex | 7016874 | 6418074092533 | 32 | 39,5 | 20 | 14 | 20 |

Ex cable gland, metal

GMS Ex M/ML

Metric thread



Technical details

| | |
|-------------------|---------------------------------------|
| Dome nut | Brass CuZn39Pb3, nickel-plated |
| Dust cap | Polyethylene PE-LD |
| Lamellar insert | Polyamide PA6 V-2 |
| Sealing ring | Polychloroprene-Nitrile rubber CR/NBR |
| Gland body | Brass CuZn39Pb3, nickel-plated |
| O-ring | Nitrile rubber |
| Connecting thread | metric, as per EN 60423 |

Properties

- Integrated anchorage
- Wide sealing and clamping range
- Easy-to-install

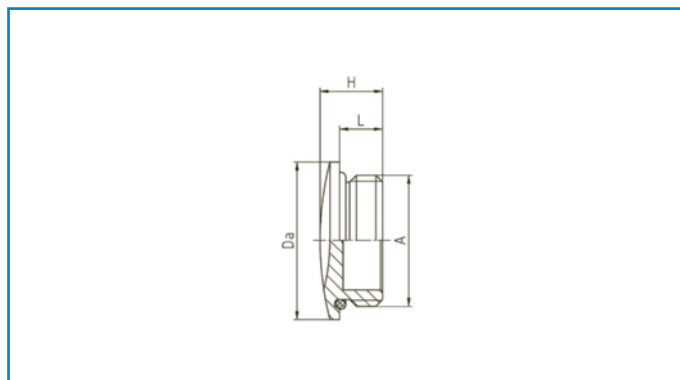
| | |
|--------------------|--|
| Equipment group | II |
| Category / Zone | 2G, 2D and 3G/ 1, 2, 21, 22 |
| Type of protection | Ex e, increased safety Ex tD A21 – Protection by enclosures |
| Cable installation | fixed |
| Temperature range | -20...+80 °C |
| Protection grade | IP68 |
| | 5 bar |
| Test standard | EN 60079-0 / EN 60079-7 EN 61241-0 / EN 61241-1 |

| Order symbol | Code | EAN | A | øC mm | L mm | SW1 mm | SW2 mm | H mm | Pack |
|---|---------|---------------|-----------|----------|---------|-----------|-----------|---------|------|
| Connecting thread: standard length | | | | | | | | | |
| GMS Ex M12 | 7016644 | 6418074092069 | M12 x 1,5 | 3 – 6,5 | 5 | 14 | 14 | 24 | 100 |
| GMS Ex M16 | 7016645 | 6418074092076 | M16 x 1,5 | 5 – 9 | 5 | 17 | 17 | 29 | 100 |
| GMS Ex M20 | 7016646 | 6418074092083 | M20 x 1,5 | 9 – 13 | 6 | 22 | 22 | 33 | 100 |
| GMS Ex M20R | 7016647 | 6418074092090 | M20 x 1,5 | 6 – 12 | 6 | 22 | 22 | 31 | 100 |
| GMS Ex M25 | 7016648 | 6418074092106 | M25 x 1,5 | 11 – 16 | 7 | 27 | 27 | 36,5 | 50 |
| GMS Ex M32 | 7016649 | 6418074092113 | M32 x 1,5 | 14 – 21 | 8 | 34 | 34 | 38 | 25 |
| GMS Ex M40 | 7016650 | 6418074092120 | M40 x 1,5 | 19 – 27 | 8 | 43 | 43 | 41 | 10 |
| GMS Ex M50 | 7016651 | 6418074092137 | M50 x 1,5 | 24 – 35 | 9 | 55 | 55 | 47,5 | 5 |
| GMS Ex M63R | 7016652 | 6418074092144 | M63 x 1,5 | 32 – 42 | 10 | 65 | 65 | 54,5 | 5 |
| GMS Ex M63 | 7016653 | 6418074092151 | M63 x 1,5 | 38 – 48 | 10 | 65 | 65 | 54,5 | 5 |
| Connecting thread: long | | | | | | | | | |
| GMS Ex M12L | 7016654 | 6418074092168 | M12 x 1,5 | 3 – 6 | 10 | 14 | 14 | 30 | 100 |
| GMS Ex M16L | 7016655 | 6418074092175 | M16 x 1,5 | 5 – 9 | 10 | 17 | 17 | 34 | 100 |
| GMS Ex M20L | 7016656 | 6418074092182 | M20 x 1,5 | 9 – 13 | 10 | 22 | 22 | 37 | 100 |
| GMS Ex M25L | 7016657 | 6418074092199 | M25 x 1,5 | 11 – 16 | 11 | 27 | 27 | 40,5 | 50 |
| GMS Ex M32L | 7016658 | 6418074092205 | M32 x 1,5 | 14 – 21 | 13 | 34 | 34 | 43 | 25 |
| GMS Ex M40L | 7016659 | 6418074092212 | M40 x 1,5 | 19 – 16 | 13 | 43 | 43 | 46 | 10 |
| GMS Ex M50L | 7016660 | 6418074092229 | M50 x 1,5 | 24 – 35 | 14 | 55 | 55 | 52,5 | 5 |
| GMS Ex M63RL | 7016661 | 6418074092236 | M63 x 1,5 | 32 – 42 | 14 | 65 | 65 | 58,5 | 5 |
| GMS Ex M63L | 7016662 | 6418074092243 | M63 x 1,5 | 38 – 48 | 14 | 65 | 65 | 58,5 | 5 |

Ex screw plug, metal

GSM ExM

Metric thread



Technical details

Screw plug Brass CuZn39Pb3, nickel-plated
 O-ring Nitrile rubber
 Connecting thread metric, as per EN 60423

Properties

- For secure sealing of unused threaded or clearance hole

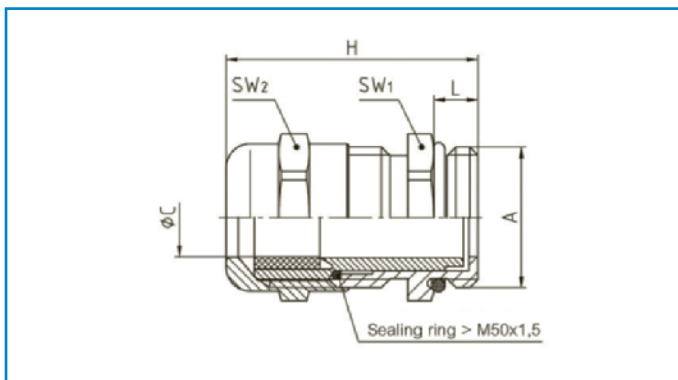
Equipment group II
 Category / Zone 2G, 2D and 3G/ 1, 2, 21, 22
 Type of protection Ex e, increased safety
 Ex tD A21 – Protection by enclosures
 Temperature range -30...+80 °C
 Protection grade IP68
 Test standard EN 60079-0 / EN 60079-7
 EN 61241-0 / EN 61241-1

| Order symbol | Code | EAN | A | L mm | H mm | Da mm | Pack |
|-----------------|---------|---------------|-----------|---------|---------|----------|------|
| GSM Ex M12 slot | 7016670 | 6418074092250 | M12 x 1,5 | 5 | 8 | 16 | 100 |
| GSM Ex M16 slot | 7016671 | 6418074092267 | M16 x 1,5 | 6 | 9 | 20 | 100 |
| GSM Ex M20 slot | 7016672 | 6418074092274 | M20 x 1,5 | 6,5 | 9,5 | 24 | 100 |
| GSM Ex M25 slot | 7016673 | 6418074092281 | M25 x 1,5 | 7 | 11 | 28 | 100 |
| GSM Ex M32 slot | 7016674 | 6418074092298 | M32 x 1,5 | 8 | 12 | 35 | 50 |
| GSM Ex M40 slot | 7016675 | 6418074092304 | M40 x 1,5 | 8 | 12 | 45 | 50 |
| GSM Ex M50 slot | 7016676 | 6418074092311 | M50 x 1,5 | 9 | 15 | 55 | 25 |
| GSM Ex M63 slot | 7016677 | 6418074092328 | M63 x 1,5 | 10 | 16 | 68 | 10 |

Ex EMC cable gland

GMS Ex EMC M

Metric thread



Technical details

| | |
|-------------------|---------------------------------------|
| Dome nut | Brass CuZn39Pb3, nickel-plated |
| Dust cap | Polyethylene PE-LD |
| Lamellar insert | Polyamide PA6 V-2 |
| Sealing ring | Polychloroprene-Nitrile rubber CR/NBR |
| Gland body | Brass CuZn39Pb3, nickel-plated |
| O-ring | Nitrile rubber |
| Connecting thread | metric, as per EN 60423 |

Properties

- For cables with shielding
- Integrated anchorage
- Wide sealing and clamping range

| | |
|--------------------|--|
| Equipment group | II |
| Category / Zone | 2G, 2D and 3G/ 1, 2, 21, 22 |
| Type of protection | Ex e, increased safety Ex tD A21 – Protection by enclosures |
| Cable installation | fixed |
| Temperature range | -20 +80 |
| Protection grade | IP68 5 bar |
| Test standard | EN 60079-0 / EN 60079-7 EN 61241-0 / EN 61241-1 |

| Order symbol | Code | EAN | A | øC mm | L mm | SW1 mm | SW2 mm | H mm | Pack |
|----------------|---------|---------------|-----------|----------|---------|-----------|-----------|---------|------|
| GMS Ex EMC M12 | 7016910 | 6418074093592 | M12 x 1,5 | 3 – 6 | 5 | 14 | 14 | 25 | 100 |
| GMS Ex EMC M16 | 7016911 | 6418074093608 | M16 x 1,5 | 5 – 9 | 5 | 17 | 17 | 29 | 100 |
| GMS Ex EMC M20 | 7016912 | 6418074093615 | M20 x 1,5 | 6 – 12 | 6 | 22 | 22 | 33 | 100 |
| GMS Ex EMC M25 | 7016913 | 6418074093622 | M25 x 1,5 | 11 – 16 | 7 | 22 | 22 | 31 | 50 |
| GMS Ex EMC M32 | 7016914 | 6418074093639 | M32 x 1,5 | 14 – 21 | 8 | 34 | 34 | 38 | 25 |
| GMS Ex EMC M40 | 7016915 | 6418074093646 | M40 x 1,5 | 19 – 27 | 8 | 43 | 43 | 41 | 10 |
| GMS Ex EMC M50 | 7016916 | 6418074093653 | M50 x 1,5 | 24 – 35 | 9 | 55 | 55 | 47,5 | 5 |
| GMS Ex EMC M63 | 7016917 | 6418074093660 | M63 x 1,5 | 32 – 42 | 10 | 65 | 65 | 54,5 | 5 |

VENTING ELEMENT

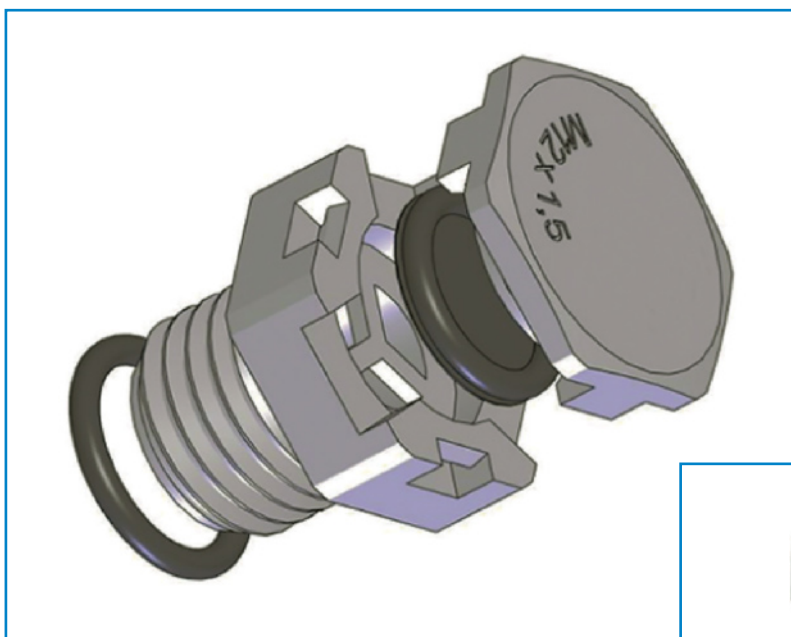
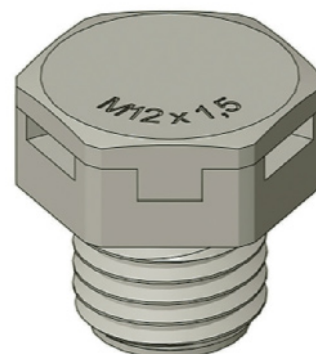
Application

Waterproof enclosures with high protection grades for outdoor use are not automatically sealed against vapour and humid air. To avoid negative pressure, high humidity and condensation inside the enclosure a continuous ventilation and pressure equilibrium is necessary.

This protectional function can be achieved by using a venting element, quick and easy to install.

The body of the venting element is made from a flameproof polyamide. Inside is a high-quality, breathable and watertight membrane, which provides a continuous pressure exchange and ventilation between the enclosure and its surroundings and ensures protection against humidity. The high level of water intrusion point of the membrane enables the high protection grade of IP66, IP67 and IP69K.

The achieved air flow ventilation of the membrane was determined by flow control measuring.



Ventilation test setup

A mass flow control and a pressure gauge are coupled consecutively and the venting element is connected with the measuring system via a thread adapter.

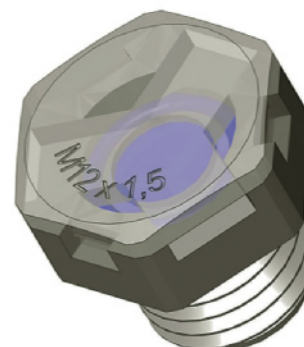
In the following air is being admitted. The flow rate has been set up for all measuring points so that the desired primary pressure is being applied to the test object.

The achieved flow measurement data has been converted to standardised conditions.



Pressure calibration and measuring data converted to standardised conditions.

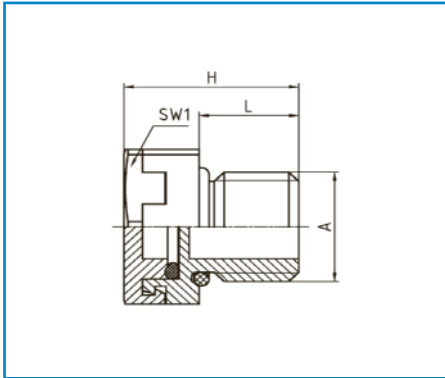
| Absolute pressure bar(a) | Overpressure bar(g) | Airflow (average) ln/min |
|-----------------------------|------------------------|-----------------------------|
| 1,0036 | 0 | 0 |
| 1,0536 | 0,05 | 0,3 |
| 1,0736 | 0,07 | 0,45 |
| 1,1036 | 0,1 | 0,66 |
| 1,2036 | 0,2 | 1,4 |
| 1,3036 | 0,3 | 2,2 |
| 1,4036 | 0,4 | 3 |
| 1,5036 | 0,5 | 3,9 |
| 1,6036 | 0,6 | 4,8 |
| 1,7036 | 0,7 | 5,7 |
| 1,8036 | 0,8 | 6,7 |
| 1,9036 | 0,9 | 7,8 |
| 2,0036 | 1 | 8,9 |



Venting element

GVPPA M/ML

Metric thread



Technical details

| | |
|-------------------|------------------------|
| Body | Polyamide PA6 V-0 |
| Membrane | Polyether sulphone PES |
| O-ring | Nitrile rubber NBR |
| Connecting thread | metric as per EN 60423 |

GVPPA M/ML

Properties

- Protection for hermetically sealed electro-technical and electronic enclosures against condensation water from alternating temperature and pressure
- Continuous ventilation and adaption of the inner pressure
- Hydrophobic and oleophobic PES-membrane

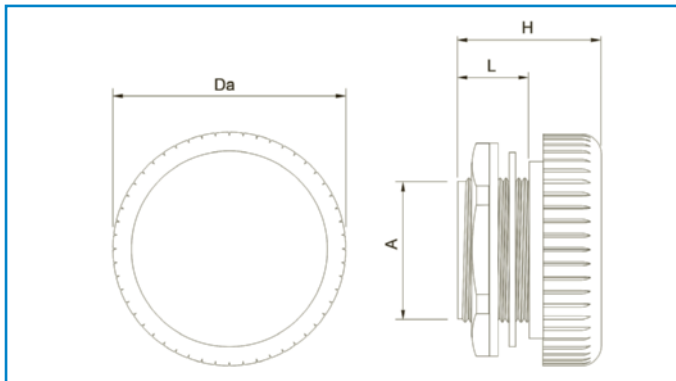
| | |
|----------------------|---|
| Typical air flow | 90 – 130 ml/min/cm ² at p = 0,01 bar |
| Water entry pressure | > 1 bar |
| Temperature range | -40...+100 °C |
| Protection grade | IP66 / IP67 / IP69K |

| Order symbol | Code | EAN | A | L mm | SW1 mm | H mm | Pack |
|---|---------|---------------|-----------|---------|-----------|---------|------|
| RAL 7035: Connecting thread: short | | | | | | | |
| GVPPA M12 | 7016702 | 6418074091314 | M12 x 1,5 | 6 | 17 | 13,8 | 100 |
| RAL 7035: Connecting thread: standard length | | | | | | | |
| GVPPA M12L | 7016700 | 6418074091291 | M12 x 1,5 | 10 | 17 | 17,8 | 100 |
| RAL 9005: Connecting thread: standard length | | | | | | | |
| GVPPA M12L 9005 | 7016701 | 6418074091307 | M12 x 1,5 | 10 | 17 | 17,8 | 100 |

Venting element

GVPPA M/ML

Metric thread



Technical details

Body PA6
 Sealing Nitrile rubber NBR
 Membrane PA6.6

Properties

Temperature range -35 to +70 °C
 Protection grade IP66 / IPX9K
 Air permeability 1200 l/h at a pressure difference of min.70 mbar

| Order symbol | Code | EAN | A | L mm | Da mm | H mm | Pack |
|-------------------|---------|---------------|-----------|---------|----------|---------|------|
| Light grey | | | | | | | |
| GVPPA M40 SET | 8818223 | 6418074012197 | M40 x 1,5 | 18 | 60 | 37 | 2 |

Technical details

Body PA66
 Sealing Nitrile rubber NBR
 Membrane PA6.6

Properties

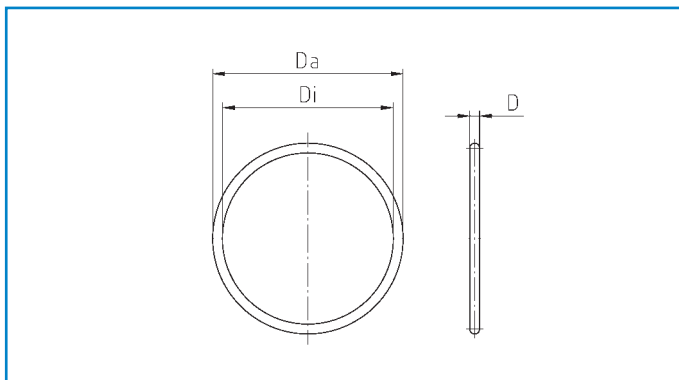
- Weather proof and UV light resistant according to UL746C (f1)
 Temperature range -35 to +70 °C
 Protection grade IP66 / IPX9K
 Air permeability 1200 l/h at a pressure difference of min.70 mbar

| Order symbol | Code | EAN | A | L mm | Da mm | H mm | Pack |
|-------------------|---------|---------------|-----------|---------|----------|---------|------|
| Light grey | | | | | | | |
| GVPPA M40 UL SET | 9801129 | 6418074305077 | M40 x 1,5 | 18 | 60 | 37 | 2 |

O-ring

GOR M/PG

Metric thread
PG thread



Technical details

O-ring

Nitrile rubber NBR

Properties

- For improved sealing on the connecting thread

Temperature range

-30...+100 °C

Comment

higher protection grade possible
if assembled with o-ring

| Order symbol | Code | EAN | A | D mm | Da mm | Di mm |
|----------------|---------|---------------|-----|---------|----------|----------|
| GOR M12 O-Ring | 7016507 | 6418074056078 | M12 | 1,5 | 12 | 9 |
| GOR M16 O-Ring | 7016508 | 6418074056085 | M16 | 1,5 | 16 | 12 |
| GOR M20 O-Ring | 7016509 | 6418074056092 | M20 | 1,5 | 21 | 18 |
| GOR M25 O-Ring | 7016510 | 6418074056108 | M25 | 2 | 25 | 21 |
| GOR M32 O-Ring | 7016511 | 6418074056115 | M32 | 2,5 | 34 | 29 |
| GOR M40 O-Ring | 7016512 | 6418074056122 | M40 | 2 | 41 | 37 |
| GOR M50 O-Ring | 7016513 | 6418074056139 | M50 | 2,5 | 52 | 47 |
| GOR M63 O-Ring | 7016514 | 6418074056146 | M63 | 3 | 66 | 60 |

Technical details

O-ring

Nitrile rubber NBR

Properties

- For improved sealing on the connecting thread

Temperature range

-30...+100 °C

Comment

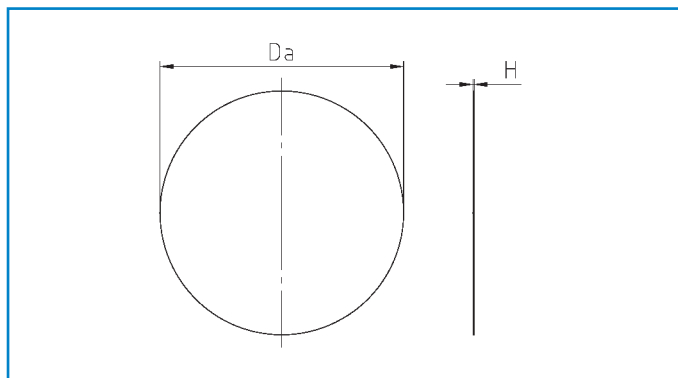
assembled o-ring enables higher
protection grades

| Order symbol | Code | EAN | A | D mm | Da mm | Di mm |
|-------------------|---------|---------------|---------|---------|----------|----------|
| GOR PG7 O-Ring | 7016497 | 6418074055972 | Pg 7 | 1,5 | 13 | 10 |
| GOR PG9 O-Ring | 7016498 | 6418074055989 | Pg 9 | 2 | 17 | 13 |
| GOR PG11 O-Ring | 7016499 | 6418074055996 | Pg 11 | 2 | 20 | 16 |
| GOR PG13.5 O-Ring | 7016500 | 6418074056009 | Pg 13,5 | 2 | 22 | 18 |
| GOR PG16 O-Ring | 7016501 | 6418074056016 | Pg 16 | 2 | 24 | 20 |
| GOR PG21 O-Ring | 7016502 | 6418074056023 | Pg 21 | 2 | 28 | 24 |
| GOR PG29 O-Ring | 7016503 | 6418074056030 | Pg 29 | 2 | 37 | 33 |
| GOR PG36 O-Ring | 7016504 | 6418074056047 | Pg 36 | 2,5 | 47 | 42 |
| GOR PG42 O-Ring | 7016505 | 6418074056054 | Pg 42 | 2,5 | 53 | 48 |
| GOR PG48 O-Ring | 7016506 | 6418074056061 | Pg 48 | 3 | 60 | 54 |

Dust cap

GDC M/PG

Metric thread
PG thread



Technical details

Dust cap Polyethylene PE-LD
Sold as single piece

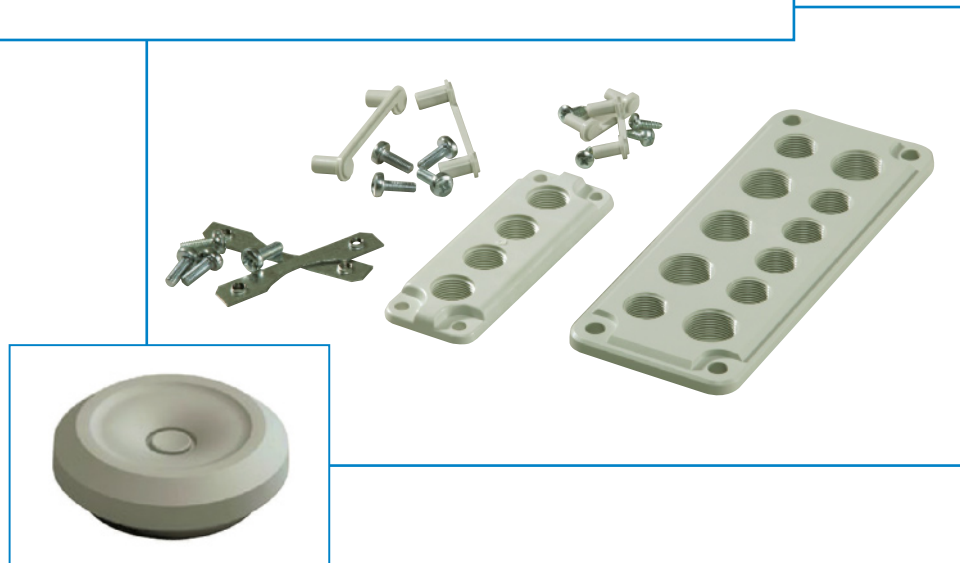
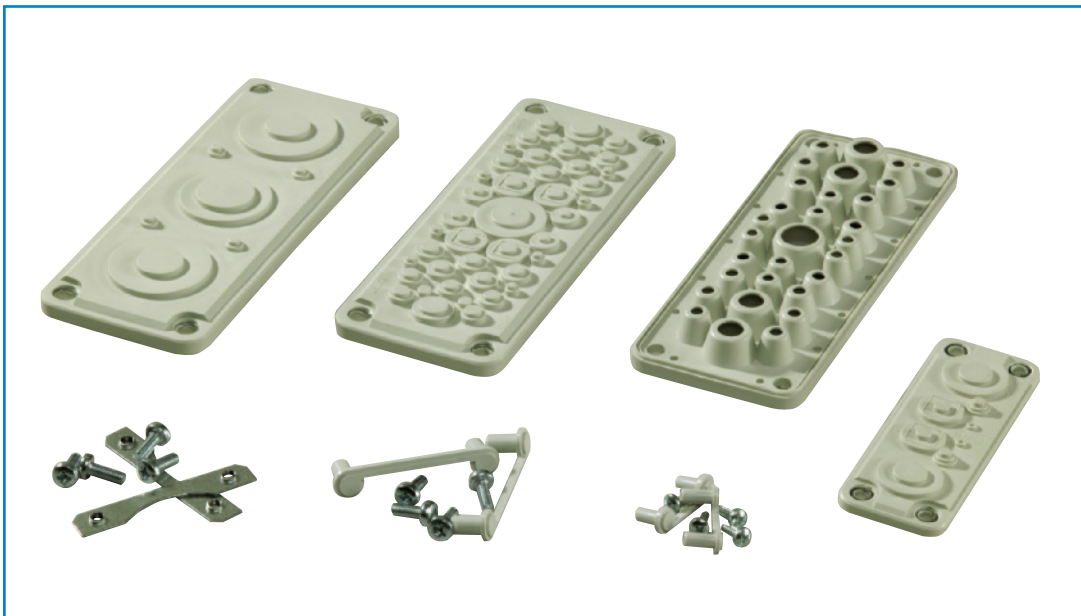
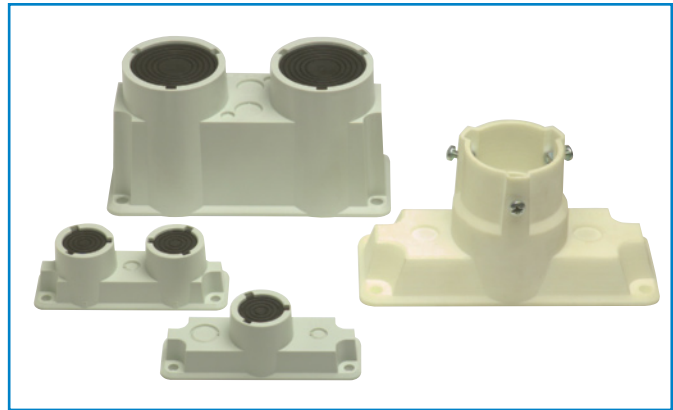
Properties

- Applicable as dust protection for cable glands during transport or storage

Temperature range -30...+90 °C

| Order symbol | Code | EAN | Size | H mm | Da mm |
|--------------|---------|---------------|----------|------|-------|
| GDC M12 | 7016489 | 6418074055897 | M12 | 0,25 | 10 |
| GDC M16 | 7016490 | 6418074055903 | M16 | 0,25 | 15,5 |
| GDC M20 | 7016491 | 6418074055910 | M20 | 0,25 | 18,5 |
| GDC M25 | 7016492 | 6418074055927 | M25 | 0,25 | 23 |
| GDC M32 | 7016493 | 6418074055934 | M32 | 0,5 | 29 |
| GDC M40/PG29 | 7016485 | 6418074055859 | M40/PG29 | 0,5 | 35 |
| GDC M50/PG36 | 7016486 | 6418074055866 | M50/PG36 | 0,5 | 45 |
| GDC M63/PG48 | 7016488 | 6418074055880 | M63/PG48 | 0,5 | 57 |
| GDC PG7 | 7016479 | 6418074055798 | Pg 7 | 0,5 | 10,5 |
| GDC PG9 | 7016480 | 6418074055804 | Pg 9 | 0,5 | 13,5 |
| GDC PG11 | 7016481 | 6418074055811 | Pg 11 | 0,5 | 16,5 |
| GDC PG13.5 | 7016482 | 6418074055828 | Pg 13,5 | 0,5 | 18,5 |
| GDC PG16 | 7016483 | 6418074055835 | Pg 16 | 0,5 | 20,5 |
| GDC PG21 | 7016484 | 6418074055842 | Pg 21 | 0,5 | 26 |
| GDC PG42 | 7016487 | 6418074055873 | Pg 42 | 0,5 | 52 |

CABLE ENTRY SYSTEMS

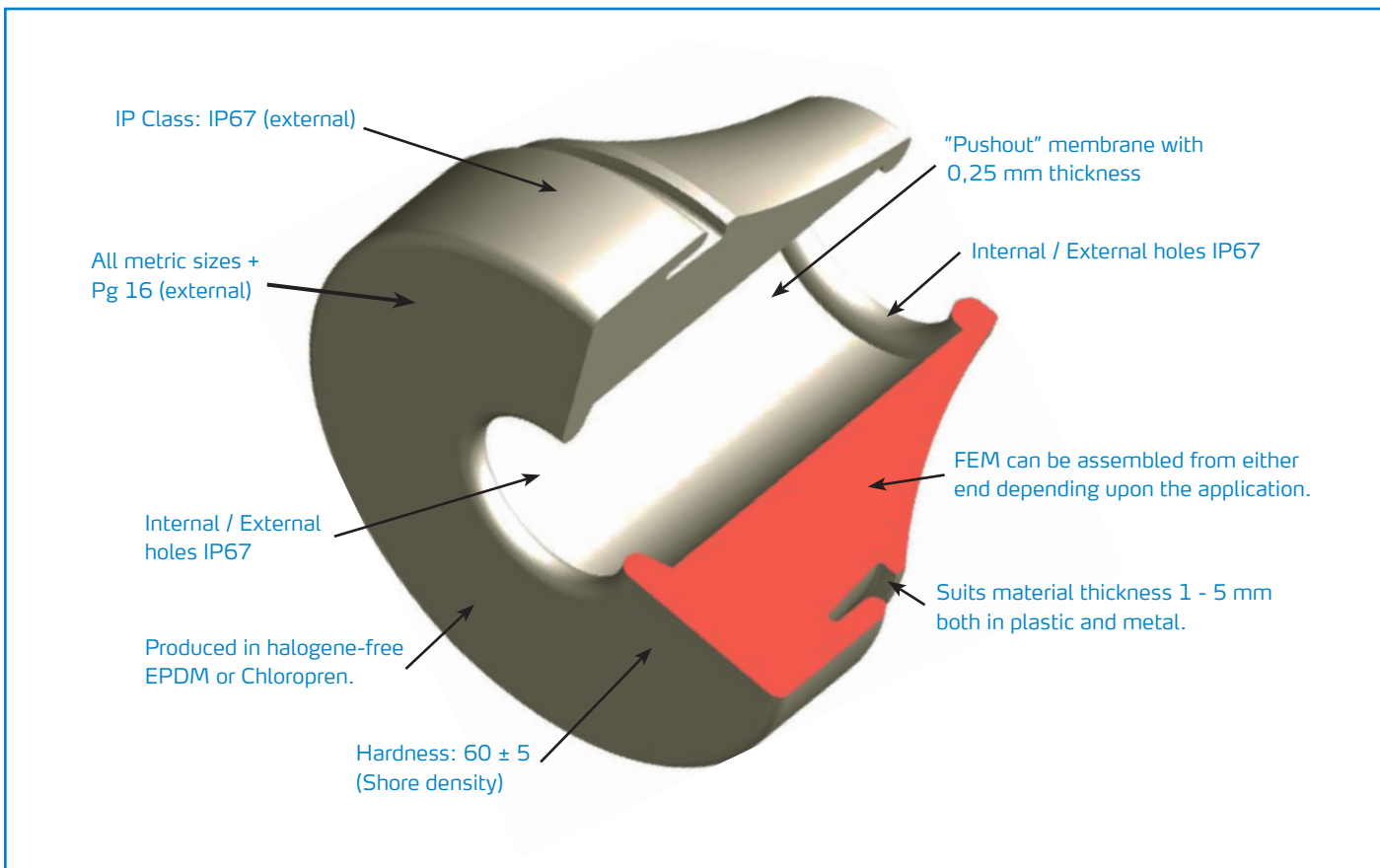


MEMBRANE CABLE GLANDS

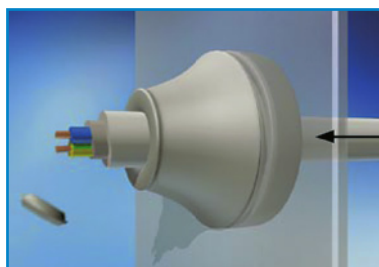
FIBOX FEM membranes

FIBOX FEM membranes are very simple to use and demand no tools, which in turn means lower work cost. The assembly requires no screwdriver or scissors to make the hole, which otherwise would endanger the IP-class seal. FEM membranes are tested for IP67 internally and externally.

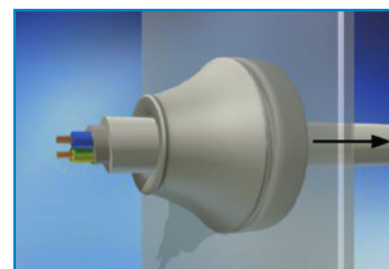
Two material versions are available: EPDM and Chloroprene. FEM membranes have a very high finish and the automatic method of production guarantees the same even and high quality on all products.



Push the grommet into the hole.



Pierce the grommet with the cable.

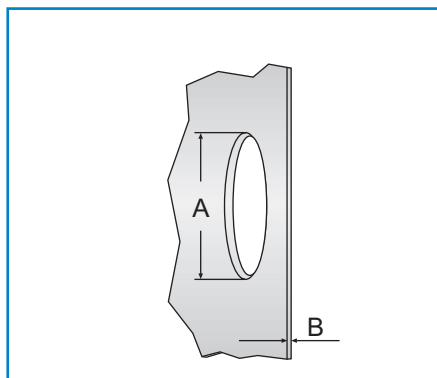
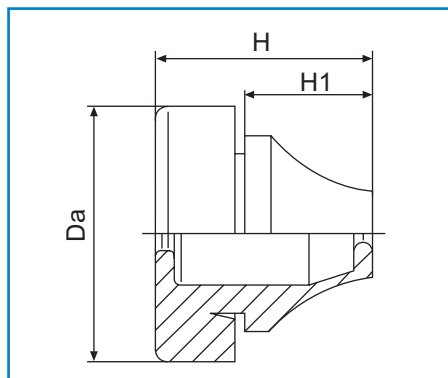


The grommet is then locked in position by pulling it back.

Membrane cable gland

FEM/FEM-C/MFM

Metric/Pg 16



Technical Properties

| | |
|-------------------|-------------------------------------|
| Material | EPDM |
| Protection class | IP67 acc. to EN 60529 |
| Temperature range | -40 °C....+110 °C* |
| Test standard | EN60670-1:2005, EN60529: 1991+A1 |

* Unstressed material.

Properties

- Suitable for holes in materials of 1 – 5 mm thickness.
- Easy assembly without tools
- Outstanding heat, ozone and weather resistance

| Order symbol | Code | EAN | Size | øC mm | A mm | B mm | Da mm | H mm | H1 mm | Pack |
|------------------------|---------|---------------|----------|-----------------------|---------|---------|----------|---------|----------|------|
| RAL 7035 (EPDM) | | | | | | | | | | |
| FEM 4-7 | 3545078 | 6418074035417 | M12 | 4 – 7 | 12,5 | 0,5 – 2 | 20 | 12,7 | 5,4 | 50 |
| FEM 4-7 L | 3545278 | 6418074070449 | M12 | 4 – 7 | 12,5 | 2 – 5 | 20 | 12,7 | 5,4 | 50 |
| FEM 5-9 | 3545079 | 6418074035424 | M16 | 5 – 9 | 16,5 | 1 – 4 | 21 | 18 | 10,5 | 50 |
| FEM 5-9 L | 3545279 | 6418074070456 | M16 | 5 – 9 | 16,5 | 2 – 5 | 21 | 18 | 10,5 | 50 |
| FEM 8-13 | 3545080 | 6418074035448 | M20 | 8 – 13 | 20,5 | 1 – 4 | 25,5 | 20 | 12,7 | 50 |
| FEM 10-14/PG 16 | 3545081 | 6418074035455 | M23/PG16 | 10 – 14 | 23 | 1 – 4 | 28 | 21,6 | 14,7 | 50 |
| FEM 11-17 | 3545082 | 6418074035462 | M25 | 11 – 17 | 25,5 | 1 – 4 | 30,5 | 21,6 | 14,5 | 50 |
| FEM 15-20 | 3545083 | 6418074035479 | M32 | 15 – 20 | 32,5 | 1 – 4 | 38,5 | 24,8 | 17,5 | 25 |
| FEM 19-28 | 3545084 | 6418074035486 | M40 | 19 – 28 | 40,5 | 1 – 4 | 48,5 | 30 | 20,4 | 25 |
| FEM 27-35 | 3545085 | 6418074035530 | M50 | 27 – 35 | 50,5 | 1 – 4 | 60,5 | 35 | 23,9 | 10 |
| FEM 34-45 | 3545103 | 6418074070852 | M63 | 34 – 45 | 63,5 | 1 – 4 | 73,5 | 40,0 | 28,9 | 5 |
| MFM 8-12 | 3546151 | 6418074036803 | M50 | 3x6 – 10 3x10 – 14 | 50,5 | 2 – 6 | 58 | 20 | 9 | 1 |

Technical Properties

| | |
|-------------------|-------------------------------------|
| Material | Chloroprene |
| Protection class | IP67 acc. to EN 60529 |
| Temperature range | -30 °C....100 °C* |
| Test standard | EN60670-1:2005, EN60529: 1991+A1 |

* Unstressed material.

Properties

- Suitable for holes in materials of 1 – 5 mm thickness.
- Comply with 'Det Norske Veritas' rules for Classification of Ships, High Speed & Light Craft and 'Det Norske Veritas' Offshore Standards
- Quick and simple assembly without the use of tools
- Resistant to chemicals
- Outstanding heat, ozone and weather resistance

| Order symbol | Code | EAN | Size | øC mm | A mm | B mm | Da mm | H mm | H1 mm | Pack |
|----------------------|---------|---------------|----------|----------|---------|---------|----------|---------|----------|------|
| RAL 9005 (CR) | | | | | | | | | | |
| FEM-C 4-7 | 3545088 | 6418074035561 | M12 | 4 – 7 | 12,5 | 0,5 – 2 | 20 | 12,7 | 5,4 | 50 |
| FEM-C 4-7 L | 3545288 | 6418074070463 | M12 | 4 – 7 | 12,5 | 2 – 5 | 20 | 12,7 | 5,4 | 50 |
| FEM-C 5-9 | 3545089 | 6418074035578 | M16 | 5 – 9 | 16,5 | 1 – 4 | 21 | 18 | 10,5 | 50 |
| FEM-C 5-9 L | 3545289 | 6418074070579 | M16 | 5 – 9 | 16,5 | 2 – 5 | 21 | 18 | 10,5 | 50 |
| FEM-C 8-13 | 3545090 | 6418074035585 | M20 | 8 – 13 | 20,5 | 1 – 4 | 25,5 | 20 | 12,7 | 50 |
| FEM-C 10-14/PG 16 | 3545091 | 6418074035592 | M23/PG16 | 10 – 14 | 23 | 1 – 4 | 28 | 21,6 | 14,7 | 50 |
| FEM-C 11-17 | 3545092 | 6418074035608 | M25 | 11 – 17 | 25,5 | 1 – 4 | 30,5 | 21,6 | 14,5 | 50 |
| FEM-C 15-20 | 3545093 | 6418074035615 | M32 | 15 – 20 | 32,5 | 1 – 4 | 38,5 | 24,8 | 17,5 | 25 |
| FEM-C 19-28 | 3545094 | 6418074035622 | M40 | 19 – 28 | 40,5 | 1 – 4 | 48,5 | 30 | 20,4 | 25 |
| FEM C 27-35 | 3545095 | 6418074035639 | M50 | 27 – 35 | 50,5 | 1 – 4 | 60,5 | 35 | 23,9 | 10 |
| FEM-C 34-45 | 3545104 | 6418074070869 | M63 | 34 – 45 | 63,5 | 1 – 4 | 73,5 | 40,0 | 28,9 | 5 |

Membrane cable glands

FIBOX FEM SL

The FEM SL is the latest addition to the FIBOX FEM membrane range.

What makes the FEM SL different from existing products on the market are the built-in features that you do not find in this otherwise relatively simple product.

FEM SL handles an exceptionally large cable span. It is the only "simple" grommet manufactured in a rubber-like material, and the only TPE-based end-plug. With the "pushout" membrane you always have a round opening and are guaranteed to have IP67.

The FEM SL is equipped with a sock that closes tight around the cable and allows for it to be moved around like a "joy-stick" in the opening without endangering the IP-classification. So it works extremely well with cables passing through at an angle.

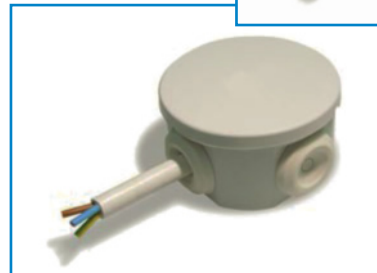
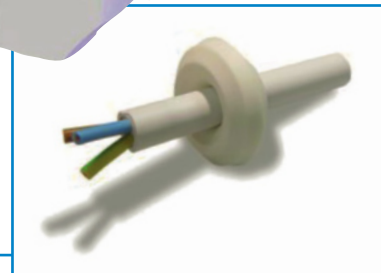
The design makes sure that the membrane stays in place, even when large cables are installed.

These are some of the features that creates a lot of value added in the FEM SL, and makes it a unique product.

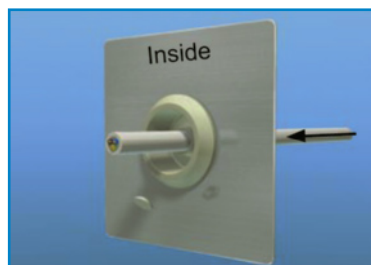


Product features FIBOX FEM SL

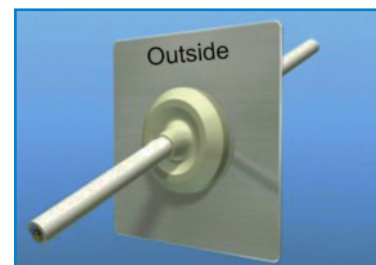
- End-plug/membrane for all applications
- Self-adjusting to cable diameter
- Significant timesaving
- IP67 = Waterproof
- Secure installation in opening
- Easy and fast installation
- "Joy-stick" effect thanks to built-in sock
- Not for temporary use
- "Pushout" membrane
- Temperature range -50 °C...+125 °C
- Suits material thickness 0,5 – 4,5 mm
- Handles exceptionally large cables span 5 – 24 mm
- Ergonomic installation



Push the grommet into the hole.



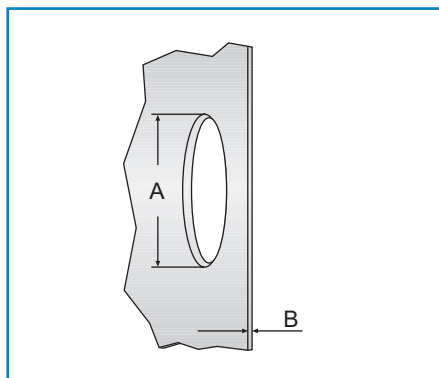
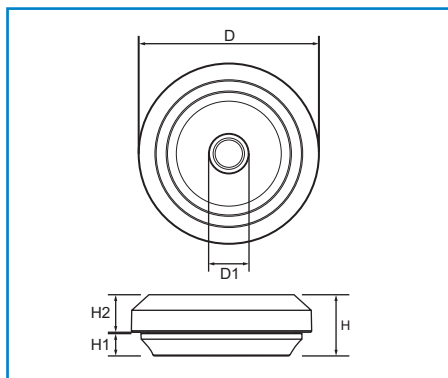
Pierce the grommet with the cable.



Membrane cable gland

FEM SL

Metric thread



Properties

Material

TPE – Thermoplastic Elastomer - Halogen Free.

UL approved material

Quick and simple assembly without the use of tools

Handles exceptionally large cable span

An end-plug for all applications

Mode of protection

IP67

Temperature range

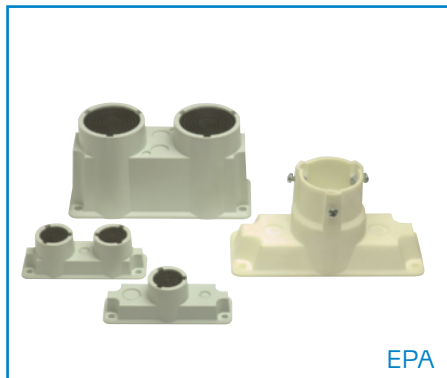
-50 °C...+125 °C

Test standard

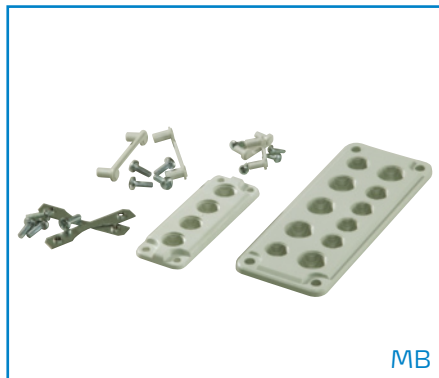
EN60529:1991+A1,
EMKO-TUI (03-SEC) F1001/84

| Order symbol | Code | EAN | Size | øC mm | A mm | B mm | D* mm | D1 mm | H mm | H1 mm | H2* mm | Pac |
|-------------------|---------|---------------|------|----------|---------|-----------|----------|----------|---------|----------|-----------|-----|
| RAL 7035 | | | | | | | | | | | | |
| FEM SL 5-10 | 3545224 | 6418074004925 | M16 | 5 - 10 | 16,5 | 0,5 - 3 | 23,5 | 4 | 11 | 4 | 6,75 | 50 |
| FEM SL 6-13 | 3545225 | 6418074004932 | M20 | 6 - 13 | 20,5 | 0,5 - 3 | 27,5 | 5 | 11 | 4 | 6,75 | 50 |
| FEM SL 8-17 | 3545228 | 6418074049278 | M25 | 8 - 17 | 25,5 | 0,5 - 3,5 | 32,5 | 7 | 11 | 4 | 6,75 | 50 |
| FEM SL 12-24 | 3545229 | 6418074049285 | M32 | 12 - 24 | 32,5 | 0,5 - 4,5 | 39,5 | 11 | 11 | 4 | 6,75 | 25 |
| RAL 9005 | | | | | | | | | | | | |
| FEM SL 5-10 9005 | 3545226 | 6418074004987 | M16 | 5 - 10 | 16,5 | 0,5 - 3 | 23,5 | 4 | 11 | 4 | 6,75 | 50 |
| FEM SL 6-13 9005 | 3545227 | 6418074004994 | M20 | 6 - 13 | 20,5 | 0,5 - 3 | 27,5 | 5 | 11 | 4 | 6,75 | 50 |
| FEM SL 8-17 9005 | 3545230 | 6418074049292 | M25 | 8 - 17 | 25,5 | 0,5 - 3,5 | 32,5 | 7 | 11 | 4 | 6,75 | 50 |
| FEM SL 12-24 9005 | 3545231 | 6418074049308 | M32 | 12 - 24 | 32,5 | 0,5 - 4,5 | 39,5 | 11 | 11 | 4 | 6,75 | 25 |

Cable entry plates and entry sets



EPA



MB



FMC

Properties

| | |
|------------------|----------------------------------|
| Material | Polycarbonate (PC); Membrane TPE |
| | RAL 7035 |
| Flame resistance | UL 94-V1 (PC) |
| | UL 94HB (TPE) |

| Order symbol | Code | EAN | Size | Description |
|-------------------------------|---------|---------------|--------|---|
| Metric flange plates | | | | |
| MB 10860 | 3530860 | 6418074052124 | 85x216 | Metric flange plate, size 2 5xM25+6xM20, PUR gasket, IP 65 |
| MB 10861 | 3530861 | 6418074052131 | 85x216 | Metric flange plate, size 2 2xM50+4xM20, PUR gasket, IP 65 |
| MB 10862 | 3530862 | 6418074052148 | 85x216 | Metric flange plate, size 2 2xM16+3xM20+2xM25+2xM32, PUR gasket, IP 65 |
| Membrane flange plates | | | | |
| FMC 3F | 3550795 | 6418074056528 | 85x217 | Membrane flange plate, size 2 Lead-through 7 (3-55 mm), IP 65 |
| FMC 25F | 3550796 | 6418074056535 | 85x217 | Membrane flange plate, size 2 Lead-through 29 (3-26 mm) Optional RJ-45 lead-through, IP 65 |
| FMC 35F | 3550797 | 6418074056542 | 85x217 | Membrane flange plate, size 2 Lead-through 43 (3-30 mm) Optional RJ-45 lead-through, IP 65 |
| Cable entry sets | | | | |
| EPA 1130 SET | 3550055 | 6418074033130 | | Cable entry set, size 1 1 cable, 1x10-31 mm |
| EPA 1230 SET | 3550049 | 6418074033154 | | Cable entry set, size 1 2 cable, 2x10-31 mm |
| EPA 2160 SET | 3550056 | 6418074033147 | | Cable entry set, size 2 1 cable, 1x28-60 mm |
| EPA 2260 SET | 3550052 | 6418074033161 | | Cable entry set, size 2 2 cables, 2x28-60 mm |
| Accessories | | | | |
| MB 10346 | 3570346 | 6418074031204 | | Plastic head screw (M8x25) for size 2 flange |
| M-8 | 3570577 | 6418074031389 | | Lock nut for plastic head screws M8 |
| MB 10670 | 3570670 | 6418074030788 | | Connector set, size 2; incl. 4 screws |

Contents

| | |
|---|----------------|
| Plastic cable glands and accessories | 1 |
| Plastic cable glands | 2 – 6 |
| Hexagonal locknut, plastic | 7 – 8 |
| Screw plug, plastic | 9 – 10 |
| Adapter, plastic | 11 |
| Blanking plug, plastic | 12 |
| Metal cable glands and accessories | 13 |
| Metal cable glands | 14 – 16 |
| Hexagonal locknut, metal | 17 |
| Screw plug, metal | 18 |
| Adapter, metal | 19 |
| EMC cable glands and accessories | 20 |
| EMC cable glands | 21 – 24 |
| Hexagonal locknut, EMC | 25 – 26 |
| EX cable glands and accessories | 27 |
| Ex cable gland, plastic | 28 |
| Ex screw plug, plastic | 29 |
| Ex blanking plug, plastic | 30 |
| Ex cable gland, metal | 31 |
| Ex screw plug, metal | 32 |
| Ex EMC cable gland | 33 |
| Venting element | 34 - 36 |
| Cable gland accessories | |
| O-ring | 37 |
| Dust cap | 38 |
| Cable entry systems | 40 |
| Membrane cable glands | 40 – 43 |
| Cable entry plates and entry sets | 44 |

Fibox customer service

Fibox Oy Ab
Keilaranta 19, 02150 Espoo, FINLAND
Tel: +358 207 785 700, Fax: +358 207 785 702
E-mail: info@fibox.fi

Fibox AB
Enhagslingan 3, S-187 40 Täby, SWEDEN
Tel: +46 8 792 2670, Fax: +46 8 792 0164
E-mail: info@fibox.se

Fibox A/S
Kuldysen 13, DK-2630 Tåstrup, DENMARK
Tel: +45 4371 8055, Fax: +45 4371 8035
E-mail: fibox@fibox.dk

Fibox Limited
Suite 25, Durham Tees Valley Business Centre,
Primrose Hill Industrial Estate, Orde Wingate Way,
Stockton on Tees, TS19 0GD, ENGLAND
Tel: +44 1642 604 400, Fax: +44 1642 604 600
E-mail: sales@fibox.co.uk

Fibox France Sarl
Neptune II
35 bis, av. Saint Germain des Noyers
F-77400 Saint Thibault des Vignes
Tel: (+33) 1 60 21 17 17, Fax: (+33) 1 60 21 17 18
E-mail: service.client@fibox.fr

Fibox GmbH
Rehwinkel 30, D-32457 Porta Westfalica, GERMANY
Tel: +49 (0)5731 86946 0, Fax: +49 (0)5731 86946 50
E-mail: info@fibox.de

Fibox LLC
Office B 21,
54 B Shpalernaya st.
St. Petersburg
191015 Russia
Tel: +7 911-02-02-102

Fibox New Delhi Office
A-26/4, Mohan Co-operative Industrial Estate, Mathura Road, New Delhi
110044, INDIA
Tel: (+91) 11 40528297, 40528298
Fax: (+91) 11 40512481, Mobile: (+91) 9899911574
E-mail: tyronne.cubbins@fibox.co.in

FIBOX Japan Office
Zip# 542-0081 303, Daiwa building, 2-4-19, Minamisenba, Chuo-Ku,
Osaka, JAPAN
Tel: (+81) 6 4963 3752, Fax: (+81) 6 4963 3762
Mobile: (+81) 90 2705 6742
E-mail: m.takeda@fibox.co.jp

Fibox Oy Ab
Rajasilta 6, FI-33880 Lempäälä, FINLAND
Tel: +358 207 785 700 number, Fax: +358 207 785 801

Fibox Tested Systems Oy
Hovinpelto 2, FI-74700 Kiuruvesi, FINLAND
Tel: +358 207 785 700, Fax: +358 207 785 851

Fibox Sp. z o.o.
ul. Dzięcioła 19, 04-988 Warszawa, POLAND
Tel: +48 22 256 57 99, Fax: +48 22 872 96 98
E-mail: info@fibox.pl

Fibox India Private Limited
Gat no-147, A II & III, Chakan Talegaon Road
Near Rinder Automation, A/p- Mahalunge,
Tal-Khed, Dist- Pune, Maharashtra, India.- 410501
Tel: +91 02135 – 666777, Fax: +91 02135 - 666789
Email- info@fibox.co.in

Fibox Inc.
810 Cromwell Park Drive Suite R, Glen Burnie, MD 21061 USA
Tel: +1 410 760 9696, Fax: +1 410 760 8686
E-mail: sales@fiboxusa.com

Fibox Benelux
Postbus 350, NL-7570 AJ OLDENZAAL, THE NETHERLANDS
Tel: +31 (0) 541 539039, Fax: +31 (0) 541 533399
E-mail: info@fibox.nl

Fibox (Schweiz) GmbH
Wissenschwändi 6
6314 Unterägeri, SWITZERLAND
Tel: 055 617 20 80, Fax: 055 617 20 89
E-mail: info@fibox.ch

Fibox Sp. z o.o.
ul. Dzięcioła 19, 04-988 Warszawa, POLAND
Tel: +48 22 256 57 99, Fax: +48 22 256 57 90
E-mail: info@fibox.pl

Fibox Inc.
810 Cromwell Park Drive Suite R, Glen Burnie, MD 21061 USA
Tel: +1 410 760 9696, Fax: +1 410 760 8686
E-mail: sales@fiboxusa.com

Fibox Shanghai Ltd
Room 401 - 402 , Building 3,
NO. 188 xinjunhuan Rd,
Pujiang high-tech Park Caohejing
Development Zone,
Shanghai 201114, China
Tel: (+86) 21 6495 9922, Fax: (+86) 21 6495 9667
E-mail: info@fibox.cn

Fibox (Guangzhou) Engineering Plastic Co., Ltd
No.36 Dong-Peng-Da-Dao, Fibox Road
Guangzhou Economic & Technological Development District, 510530 Guang-
zhou, Guangdong, P.R.CHINA
Tel: +86 20 3206 7660, Fax: +86 20 3206 7661

Fibox Ltd (Korea)
11-25, Songdo-dong
Yeonsu-gu, Incheon,
Republic of Korea
Tel: +82 32 814 6742, Fax: +82 32 814 6077
E-mail: sales@fibox.co.kr

Fibox Ltd (Korea)
Pusan Office, 562-54, Gwai-Bup, Sa-Sang
Pusan, REPUBLIC OF KOREA
Tel: +82 51 317 8500, Fax: +82 51 314 5533

Fibox production

Fibox Shanghai Ltd
Room 401 - 402 , Building 3,
NO. 188 xinjunhuan Rd,
Pujiang high-tech Park Caohejing
Development Zone,
Shanghai 201114, China
Tel: (+86) 21 6495 9922, Fax: (+86) 21 6495 9667
E-mail: info@fibox.cn

Fibox Ltd (Korea)
11-25, Songdo-dong
Yeonsu-gu, Incheon,
Republic of Korea
Tel: +82 32 814 6742, Fax: +82 32 814 6077
E-mail: sales@fibox.co.kr

Fibox (Guangzhou) Engineering Plastic Co., Ltd
No.36 Dong-Peng-Da-Dao, Fibox Road
Guangzhou Economic & Technological Development District,
510530 Guangzhou, Guangdong, P.R.CHINA
Tel: +86 20 3206 7660, Fax: +86 20 3206 7661

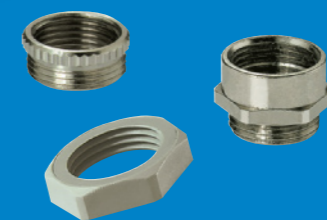
Fibox GmbH
Rehwinkel 30, D-32457 Porta Westfalica, GERMANY
Tel: +49 (0)5731 86946 0, Fax: +49 (0)5731 86946 50
E-Mail: info@fibox.de



FIBOX
Enclosing innovations

www.fibox.com

Cable glands and cable entries



Code 9637210



Fibox Oy Ab
Keilaranta 19
02150 Espoo
Finland

Tel: +358 207 785 700
Fax: +358 207 785 702
E-mail: info@fibox.fi

For demanding environments

X-ON Electronics

Largest Supplier of Electrical and Electronic Components

Click to view similar products for [Fibox](#) manufacturer:

Other Similar products are found below :

[2539517](#) [2539535](#) [5330060](#) [5330073](#) [5330360](#) [5330364](#) [5330373](#) [6181508](#) [ABS125H / A125H](#) [6210924](#) [PC125/10T / II 125/10 T](#) [7011480](#)
[7016535](#) [7094140](#) [7094150](#) [7094190](#) [7094220](#) [7094280](#) [7094400](#) [7094450](#) [7811060](#) [7811080](#) [7811130](#) [7811150](#) [7811170](#) [7811190](#)
[7811230](#) [7811250](#) [7811290](#) [7811310](#) [7811350](#) [7811370](#) [7811380](#) [7811390](#) [7811410](#) [7811460](#) [8120840](#) [8120841](#) [8120842](#) [8120843](#)
[8120844](#) [8120845](#) [8120846](#) [8522808](#) [8610005](#) [8784304](#) [9511016](#) [9511017](#) [9511020](#) [9511043](#) [9511096](#) [9511150](#)