

Enclosure Catalogue



Fibox customer service

Fibox Oy Ab

Keilaranta 19, 02150 Espoo, FINLAND
Tel: +358 207 785 700, Fax: +358 207 785 702
E-mail: info@fibox.fi

Fibox AB

Enhags slingan 3, S-187 40 Täby, SWEDEN
Tel: +46 8 792 2670, Fax: +46 8 792 0164
E-mail: info@fibox.se

Fibox A/S

Kuldysen 13, DK-2630 Tåstrup, DENMARK
Tel: +45 4371 8055, Fax: +45 4371 8035
E-mail: fibox@fibox.dk

Fibox Limited

Suite 25, Durham Tees Valley Business Centre,
Primrose Hill Industrial Estate, Orde Wingate Way,
Stockton on Tees, TS19 0GD, ENGLAND
Tel: +44 1642 604 400, Fax: +44 1642 604 600
E-mail: sales@fibox.co.uk

Fibox France Sarl

28 Rue Paul Henri Spaak, Parc de l'Esplanade,
77400 Saint Thibault des Vignes, FRANCE
Tel: +33 1 6021 1717, Fax: +33 1 6021 1718
E-mail: service.client@fibox.fr

Fibox GmbH

Rehwinkel 30, D-32457 Porta Westfalica, GERMANY
Tel: +49 (0)5731 86946 0, Fax: +49 (0)5731 86946 50
E-mail: info@fibox.de

Fibox LLC

Office B 21,
54 B Shpalernaya st.
St. Petersburg
191015 Russia
Tel: +7 911-02-02-102

Fibox New Delhi Office

A-26/4, Mohan Co-operative Industrial Estate, Mathura Road,
New Delhi 110044, INDIA
Tel: (+91) 11 40528297, 40528298
Fax: (+91) 11 40512481, Mobile: (+91) 9899911574
E-mail: tyronne.cubbins@fibox.co.in

FIBOX Japan Office

Zip# 542-0081 303, Daiwa building, 2-4-19, Minamisenba,
Chuo-Ku, Osaka, JAPAN
Tel: (+81) 6 4963 3752, Fax: (+81) 6 4963 3762
Mobile: (+81) 90 2705 6742
E-mail: m.takeda@fibox.co.jp

Fibox Benelux

Postbus 350, NL-7570 AJ OLDENZAAL, THE NETHERLANDS
Tel: +31 (0) 541 539039, Fax: +31 (0) 541 533399
E-mail: info@fibox.nl

Fibox Schweiz GmbH

Industriezone C, Längfeldweg 97
2504 Biel-Bienne, SWITZERLAND
Tel: 055 617 20 80, Fax: 055 617 20 89
E-mail: info@fibox.ch

Fibox Sp. z o.o.

ul. Dzięcioła 19, 04-988 Warszawa, POLAND
Tel: +48 22 256 5799, Fax: +48 22 872 96 98
E-mail: info@fibox.pl

Fibox Inc.

810 Cromwell Park Drive Suite R, Glen Burnie, MD 21061 USA
Tel: +1 410 760 9696, Fax: +1 410 760 8686
E-mail: sales@fiboxusa.com

Fibox Shanghai Ltd

Room 401 - 402 , Building 3,
NO. 188 xinjunhuan Rd,
Pujiang high-tech Park Caohejing
Development Zone,
Shanghai 201114, China
Tel (+86) 21 6495 9922, Fax (+86) 21 6495 9667
E-mail: info@fibox.cn

Fibox (Guangzhou) Engineering Plastic Co., Ltd

No.36 Dong-Peng-Da-Dao, Fibox Road
Guangzhou Economic & Technological Development District,
510530 Guangzhou, Guangdong, P.R.CHINA
Tel: +86 20 3206 7660, Fax: +86 20 3206 7661

Fibox Ltd (Korea)

11-25, Songdo-dong
Yeonsu-gu, Incheon,
Republic of Korea
Tel: +82 32 814 6742, Fax: +82 32 814 6077
E-mail: sales@fibox.co.kr

Fibox Ltd (Korea)

Pusan Office, 562-54, Gwai-Bup, Sa-Sang
Pusan, REPUBLIC OF KOREA
Tel: +82 51 317 8500, Fax: +82 51 314 5533

Fibox production

Fibox Oy Ab

Rajasilta 6, FI-33880 Lempäälä, FINLAND
Tel: +358 207 785 700 number, Fax: +358 207 785 801

Fibox Tested Systems Oy

Hovinpelto 2, FI-74700 Kiuruvesi, FINLAND
Tel: +358 207 785 700, Fax: +358 207 785 851

Fibox Sp. z o.o.

ul. Dzięcioła 19, 04-988 Warszawa, POLAND
Tel: +48 22 256 5799, Fax: +48 22 872 96 98
E-mail: info@fibox.pl

Fibox Ltd (Korea)

11-25, Songdo-dong
Yeonsu-gu, Incheon,
Republic of Korea
Tel: +82 32 814 6742, Fax: +82 32 814 6077
E-mail: sales@fibox.co.kr

Fibox (Guangzhou) Engineering Plastic Co., Ltd

No.36 Dong-Peng-Da-Dao, Fibox Road
Guangzhou Economic & Technological Development District,
510530 Guangzhou, Guangdong, P.R.CHINA
Tel: +86 20 3206 7660, Fax: +86 20 3206 7661

Fibox GmbH

Rehwinkel 30, D-32457 Porta Westfalica, GERMANY
Tel: +49 (0)5731 86946 0, Fax: +49 (0)5731 86946 50
E-Mail: info@fibox.de

Fibox Enclosing innovations	2
Fibox web services	3
Enclosure selection guide	4
Fibox quality; NEMA/UL classifications of protection	6
IP/IK classifications	7
Material performance is usually the second factor considered	8
Fibox enclosure gaskets offer best protection	10
Customizing services	11



ALU



MNX



EURONORD PC/ABS



TEMPO



EK

Fibox enclosures for demanding environments

FIBOX MNX	100 x 100 x 35 mm - 360 x 255 x 150 mm	13
Polycarbonate and ABS enclosures		
FIBOX CAB PC/ ABS	150x150x110 - 600 x400 x 220 mm	47
Polycarbonate and ABS enclosures		
FIBOX ALU	50 x 45 x 32 - 310 x 600 x 180 mm	65
Aluminium enclosures		
FIBOX SOLID	188 x 188 x 130 - 558 x 378 x 180 mm	85
Polycarbonate and ABS enclosures		
FIBOX EURONORD PC/ABS	50 x 52 x 40 - 360 x 400 x 151 mm	105
Polycarbonate and ABS enclosures		
FIBOX EURONORD P	80 x 75 x 55 - 406 x 401 x 120 mm	129
Polyester enclosures		
FIBOX PICCOLO	110 x 80 x 65 - 230 x 140 x 125 mm	141
Polycarbonate and ABS enclosures		
FIBOX TEMPO	95 x 65 x 60 mm - 344 x 289 x 117 mm	151
ABS enclosures		
FIBOX MCE	200 x 116 x 105 - 580 x 306 x 105 mm	161
Modular polycarbonate enclosures		
FIBOX EK	190 x 190 x 130 - 760 x 560 x 250 mm	169
Polycarbonate enclosures		
FIBOX QUICK	300 x 200 x 170 - 600 x 400 x 270 mm	195
Polycarbonate and ABS enclosures		
FIBOX CARDMASTER	160 x 166 x 80 - 383 x 316 x 167 mm	205
Polycarbonate and ABS enclosures		
FIBOX CABLE MANAGEMENT		217
Cable gland plates		
Cable entries and cable glands		
FIBOX GENERAL ACCESSORIES		229
Inspection windows		
Ventilation devices		

FIBOX – Enclosing innovations

Innovation is defined as something newly introduced. Perhaps it is a new method, an improved solution, a new design, or an entirely new device. Whatever your innovation, it represents a change for the better, and as always, it is the result of both your inspiration and your hard work.

At Fibox, we appreciate your effort and match it with our own. Fibox is the leading innovator in developing enclosure solutions to protect your electrical and electronic designs from hostile environments. Simply put, we enclose your innovations.

45 years experience

In 1966, Fibox introduced the first modular enclosure injection moulded from polycarbonate plastic. These enclosures began a new era in electrical panel building. From the beginning, a commitment to innovation resulted in continuous product improvement, resulting in more than 20 patents. Our on-going product development has fuelled the dramatic and rapid growth of Fibox.

Whatever your application, the Fibox enclosure product family features the widest range of high quality enclosures for the packaging and protection of electrical and electronic components and systems. Fibox offers over 1000 enclosure variations. Enclosures can be delivered in standard off-the-shelf configurations, or customized to your exact specification. For higher volume OEM's, Fibox offers custom moulds and contract manufacturing.

Technical innovation

Fibox is the industry leader in developing both new products and new technologies for injection moulding thermoplastic enclosures. At Fibox, we consider moulding technology a key element contributing to product improvement. For example, the Fibox MNX enclosure series features 2 component moulding technology to include a precision formed TPE gasket that guarantees superior ingress protection ratings. Fibox was first to introduce this innovation, and continues as the only producer applying this technology to electrical enclosures.

A further example is our emphasis on multiple slide technology for mould construction. While more complex and costly, this type of mould provides our OEM customers with cost-effective alternatives for modifying standard enclosures to meet their specific needs.

But beyond technology, our success depends upon understanding the requirements of our customers and the value they place upon our contributions to their success. We know our customers derive the inspiration for their innovations by listening to and understanding the needs of their customers. Thus, our products are designed in close cooperation with our customers and we value the input of our global customer base to produce new enclosure solutions, useful functional accessories and on-going product innovations.

More information

e-mail: info@fibox.fi, sales@fibox.co.uk

www.fibox.com

FIBOX's policy is to continually improve its products.

Specifications in this Enclosure Catalogue are subject to change without further notice.

Copyright © 2012, Fibox Oy Ab

FIBOX web services - always up-to-date

Please visit www.fibox.com regularly to find out the latest developments from the Fibox team. Fibox is continuously launching new products and improving services in the pursuit of helping its customers to succeed. Fibox prides itself in supplying high quality products with excellent service. Besides orders shipped correctly and on time, excellent service also means providing an extensive package of design aids and technical information about Fibox products and services.

Engineering assistance

Selecting the right enclosure for your application is made easier with clear, easily accessible technical and engineering data.

At www.fibox.com you can obtain detailed technical information about enclosures including photos, raw material specifications, dimensional drawings and CAD files. Additionally, Fibox also offers copies of regulatory agency approvals and certificates in pdf format.

CAD drawings

Fibox supports engineers, designers and buyers with full CAD drawings either in 2D or 3D formats. Engineering time and costs can significantly be reduced by using easily accessible Fibox 3D models, which are widely used globally. All CAD files can be downloaded at www.fibox.com.

Download catalogues and leaflets

At www.fibox.com you find a variety of brochures and catalogues in pdf format. Please visit our web site at www.fibox.com to download the latest catalogues and leaflets.

Around the world

As a global company Fibox has currently full web services in Chinese, Danish, Dutch, English, Finnish, French, German, Japanese, Korean, Polish, Russian and Swedish.

Let us know how we can improve

Please give us feedback. Contact us via www.fibox.com or email at info@fibox.fi. We are committed to improve our service to you. Please help us by sharing your opinions to make Fibox World even better.

www.fibox.com

Guide for selecting the right FIBOX enclosure

	Enclosure family							
	MNX		CAB		ALU	SOLID		
Material	PC	ABS	PC	ABS	AL	PC	ABS	
Size min (mm)	100x100x35		150x150x110		50x45x32	188x188x130		
Size max (mm)	360x255x150		600x400x220		310x600x180	558x378x180		
IP rating	IP 66/67	IP 66/67	IP 65	IP 65	IP 66/67/68	IP 66/67	IP 66/67	
IK rating	IK 08	IK 07	IK 08	IK 08	IK 08	IK 08/ IK 09	IK 08	
Electronics enclosures	■	■			■	■	■	
Industrial enclosures	■	■	■	■	■	■	■	
Instrumentation enclosures	■	■	■	■	■			
Modular enclosures								
Outdoor enclosures	■		■		■	■		
Power distribution enclosures								
Terminal enclosures	■	■			■	■	■	
UL-enclosures	■		■			■		
Wall mounting cabinets			■	■		■	■	

- PC = polycarbonate
- ABS = acrylnitrile-butadiene-styrene
- AL = aluminium
- GRP = glass fibre reinforced polyester


























Enclosure family

Enclosure family													
EURONORD			PICCOLO		TEMPO	MCE		EK	QUICK		CARDMASTER		
PC	ABS	GRP	PC	ABS	ABS	PC	ABS	PC	PC	ABS	PC	ABS	
50x52x40			110x80x65		95x65x60	200x116x105		190x190x130	300x200x170		160x166x78		
406x401x120			230x140x125		344x289x117	580x306x145		760x560x250	600x400x270		316x363x156		
IP 66/67	IP 66/67	IP 66/67	IP 66/67	IP 66/67	IP 65	IP 65		IP 66/67	IP 66/67	IP 66/67	IP 65	IP 65	
IK 08	IK 07	IK 08	IK 08	IK 07	IK 07	IK 08		IK 08/IK 09	IK 08	IK 08	IK 08/07	IK 07	
■	■	■	■	■	■	■		■	■	■		■	
■	■	■	■	■	■	■		■	■	■	■	■	
■	■	■	■	■	■	■					■	■	
							■	■					
■			■				■	■			■		
							■		■	■			

Ingress protection class of enclosures is given in the form of IP classification, a two digit coding which is shown below. Fibox has tested the enclosures according to EN 60529. The standard requires the second digit to be tested from class 6 upwards separately to each level of class, thus the double marking IP 66 / IP 67 indicates that the actual tests have been made for both levels.

The new European standard for empty enclosures, EN 62208 includes the IK impact test too. This test is described in EN 62262, and as Fibox enclosures are tested to EN 62208, the data for impact resistance will be available as well.

FIRST DIGIT Protection against solid objects		SECOND DIGIT Protection against liquids		IK CODE Protection against mechanical impacts	
IP	TEST	IP	TEST	IK	TEST
0	 no protection	0	 no protection	00	 no protection
1	 protected against solid objects up to 50 mm e.g. to 50 mm e.g. hands	1	 protected against vertically falling drops of water	01-05	 impact < 1 joule
2	 protected against solid objects up to 12 mm e.g. fingers	2	 protected against direct sprays of water up to 15° from the vertical	06	 impact 1 joule
3	 protected against solid objects over 2,5 mm (tools+ small wires)	3	 protected against water sprayed from all directions - limited ingress permitted	07	 impact 2 joule
4	 protected against solid objects over 1 mm (tools+ small wires)	4	 protected against water sprayed from all directions - limited ingress permitted	08	 impact 5 joule
5	 protected against dust - limited ingress permitted (no harmful deposit)	5	 protected against low pressure jets of water from all directions - limited ingress permitted	09	 impact 10 joule
6	 totally protected against dust	6	 protected against strong jets of water e.g. for use on shipdecks - limited ingress permitted	10	 impact 20 joule
		7	 protected against the effects of immersion between 15 cm and 1 m		
		8	 protected against long periods of immersion under pressure		

Material performance is usually the second factor considered

Size is normally the first and the most dominant criterion when looking for the right enclosure for a specific application. Enclosure performance, i.e. material performance, is usually the second property considered. The following list of benefits and drawbacks indicates the basic differences between the various FIBOX enclosure materials.

Polycarbonate (PC)

Standard polycarbonate (PC) or Glass fibre reinforced (PC + GLAS)

Benefits:

- Very high impact resistance
- Also available in transparent form
- Easy machining with normal tools
- High IP rating
- Clean attractive finish
- Wide operating temperature range
- Self-extinguishing
- Good resistance to chemical attack

- Light weight
- Good UV resistance
- Excellent insulating properties
- Cost-effective material for harsh environments

Drawbacks:

- No EMC shielding

Acrylonitrile-butadiene-styrene (ABS)

Benefits:

- Easy machining with normal tools
- Easy colouring through pigmentation
- Low weight
- Good resistance to chemical attack
- Excellent insulating properties

Drawbacks:

- Slightly lower impact resistance compared with PC
- Slightly lower operating temperature range compared with PC
- Slightly lower UV resistance compared with PC. Recommended for outdoor use if protected against weather influences
- Not available in transparent form
- No EMC shielding

Aluminium (AL)

Benefits:

- Good resistance to chemical attack (painted)
- High impact resistance
- Wide operating temperature range
- Easy earthing
- EMC shielding. Note: to some extent already as standard enclosures
- Good heat sink properties
- Rigid construction

Drawbacks:

- More expensive than PC
- Heavier than PC and ABS
- Machining with special tools only

Glass fibre reinforced polyester (GRP)

Benefits:

- Excellent record of resistance to corrosion and chemical attack
- High impact resistance
- Rigid construction
- High weather resistance
- Wide operating temperature range
- Fire resistant
- Good insulating properties

Drawbacks:

- More expensive than PC
- Cannot be machined using standard tools
- No EMC shielding
- Heavier than other plastic enclosures

The following table gives a general idea of the properties of the various materials. For more detailed information on material performance in your specific application environment please consult your local FIBOX representative.

	PC	ABS	GRP ²⁾	AL ¹⁾	PA6	PS
Outdoor use	••••	•	•••••	••••	••••	•
Indoor use	•••••	•••••	•••••	•••••	•••••	•••••
Cost	•••	•••••	•	•	••	•••••
Light weight	•••••	•••••	•••	•	•••••	•••••
High rigidity	•••	•	••••	•••••	•••	•
Impact resistance	•••••	•••	••••	••••	•••	•
CHEMICAL RESISTANCE						
Salt water environments	•••••	••	•••••	•••• ¹⁾	•••••	••
Neutral salts	•••••		•••••	•••• ¹⁾	••••	••••
Acids, low concentrations	•••••	••••	•••••	••	••••	••••
Acids, high concentrations	•••	•	•••	•	•	•
Alkalis, low concentrations	•••	•••••	••••	•	••	•••••
Alkalis, high concentrations	•	••••	••••	•	•	••••
Petroleum	•••	•	•••••	•••••	••••	•
Hydraulic oil	•••••	•••••	•••••	•••••	•••••	•••••
Alcohols	••••	•••	••••	•••••	••••	•••
Solvents	•	•	•••••	•••••		•
Cooling fluids	•••	•••••	•••••	•••		•••••

- = Excellent
- = Poor

¹⁾ Polyester powder coated AISi cast aluminium

²⁾ Glass fibre reinforced

Data subject to change without notice.

FIBOX enclosure gaskets offer the best protection

Gasketing plays an essential role in enclosure protection. In the long run, the IP rating and its reliability depend mainly on the properties of the gasket used in the enclosure. Key performance factors of a gasket are its compression set and proper fit in the gasket groove. The best general purpose gasket material is polyurethane which has an exceptionally low compression set. When accurately injection foamed, the polyurethane gaskets stay tightly in the right place. And EPDM material provides the best protection against the most popular industrial chemicals. However, it is wise to check the effect of a chemical on each gasket material since the chemical resistance of gasket materials varies greatly.

In some cases the performance of an enclosure can be modified by changing its gasket. The degree of protection depends on the material and the cross-section profile of the gasket. When choosing gasket material, compare the elasticity properties of different materials and how these properties are affected by cold and heat, or by contact with various chemicals. An important factor is that both the enclosure and gasket must withstand the same chemicals in order to reach a safe resistivity.

FIBOX enclosures are well designed

The degree of ingress protection (IP) of an enclosure is mainly dependent on the properties of its gasket. Nevertheless, the gasket must also properly fit the enclosure. In addition to the cross-section profile of the gasket, there is the cross section of the gasket's contact with the surfaces of the enclosure bases and covers. If the cross-section structures and manufacturing accuracy of an enclosure are not top quality, the IP rating will remain low even when equipped with a good gasket. Naturally, all FIBOX enclosures are carefully designed and precision made. Using FIBOX enclosures, you only need to focus on the variances in gasket materials.

FIBOX enclosure gaskets are made of PUR, EPDM, neoprene and silicon materials. Table 1 includes some commonly used physical properties of the gaskets. Note that the chemical resistances in the box and in Table 2 are only rough generalisations to give you some clues to gasket material behaviour. The resistance of each chemical should be checked separately. For additional information, please contact Fibox.

Property	Unit	TPE	PUR	EPDM	Neoprene	Silicon
Temperature range	°C	-40 - +120	-50 - +130	-50 - +120	-40 - +100	-60 - +170
Tensile strength	Mpa	5	0,4	13,0	8,0	9,4
Elongation at break	%	700	110	300	250	540
Hardness	Shore A	30	12	65	66	52
Density	g/cm ³	1,13	0,33	1,12	1,6	1,15
Compression set	%	17	5	20	35	14

Table 1: Gasket materials: physical properties comparison

Chemical Performance	TPE	PUR	EPDM	Neoprene	Silicon
Neutral salts	••••	••••	••••	••••	••••
Acids, low concentrations	••••	•••	••••	•••	•••
Acids, high concentrations	•••	•	•••	•	•
Alkalis, low concentrations	••••	•••	••••	••••	•••
Alkalis, high concentrations	•••	•	••••	•••	•
Petroleums	•	•	•	•••	•
Hydraulic oils	•	••••	•	•••	•
Alcohols	••	•••	••••	••••	••••
Cooling fluids	•••	•••	••••	•••	••••

Table 2: Gasket materials: chemical resistance comparison

- PUR = polyurethane
- TPE = thermoplastic elastomer
- EPDM = ethylene – prophene – diene – monomer



FIBOX machining services

To increase the range and flexibility of our enclosure solutions, Fibox has developed a comprehensive range of services, permitting cost effective customization for specific applications. The two most important of these are machining services and customized tooling.

Our sophisticated CNC machinery can supply enclosures with holes, cutouts and openings to your specification. This solution is best suited for small to medium volumes of enclosures. Fibox knowledge of enclosure materials ensures that the machining method is compatible with the chosen enclosure material.

Prior to machining a production run, product specification and drawings need to be prepared. Either the customer or Fibox can create these drawings. Enclosure specifications and technical data are available at www.fibox.com. CAD support 2D-drawings are available in IGES, DWG and DXF formats and 3D-models in IGES and Parasolid formats adaptable to your design system requirements.

Assembly services

Many enclosure solutions utilize Fibox accessories to improve the functionality of the enclosure system. Fibox can provide assembly services and install accessories specified by the end user, allowing delivery of "ready to use" mechanical packaging assemblies, saving labour costs and speeding up the manufacturing process. The Fibox accessory program includes a large number of items ranging from hinges and latches, cable glands and wiring accessories, to inspection windows and ventilators.

Customized tooling

For large volume OEM requirements, it is often possible to customize the moulding of a standard product to meet the OEM's specific needs. Provided the mould is a sophisticated multiple slide mould, any enclosure side may be customized without requiring an entirely new mould. It is important that the OEM consult with Fibox early in their design process to determine what, if any, mould change restrictions exist.

Altering an existing Fibox mould can be a very cost effective alternative to creating a custom mould. In essence, you lease a high volume, standard product mould with minimal initial tooling cost. This can shorten product development times and permit customizing even those products with projected short life cycles. Your new product reaches the market sooner.

Coloured plastic enclosures

Fibox offers custom moulding of standard enclosures in customer specified colours. Standard colour specifications are based upon RAL system, however custom colour matching is possible. The type of plastic has significant impact on colour match, colour consistency and cost. Please consult your Fibox representative for guidance. Custom colour moulding becomes economical in volumes over 1000 pieces, but lower volumes are also possible. Cost adders are based upon increased raw material costs, plus the cost to prepare moulds prior to production and then clean the moulds and injection machines after production. These mould preparation costs are highly volume dependent.

Painted enclosures

Painting enclosures is recommended for plastic enclosures when volumes do not justify custom moulding. Critical colour matching, if required, is also easier to accomplish with paint. Paint type is dependent upon the choice of enclosure material. Please consult your Fibox representative for guidance.

EMC - plastic enclosures

Plastic enclosures can be prepared to provide EMC shielding. Various methods are available, but painting the internal surface with Cu paint is the preferred method. This coating, combined with a conductive gasket material such as CHO-SEAL 1350, can provide significant shielding levels. Proper selection of materials is very application specific. Please consult your Fibox representative for guidance.

Printed enclosures

Silk screen printing is recommended for enclosure batches of less than 1000 pieces. This method is mainly suitable for flat surfaces, and can be used for large areas. Tampo printing is the best solution for volumes greater than 1000 pieces. It is suitable for printing on both flat and curved surfaces of limited size. Tampo printing is also ideal for tight spots like the inside surface of the enclosure.

FIBOX – Solutions for demanding environments





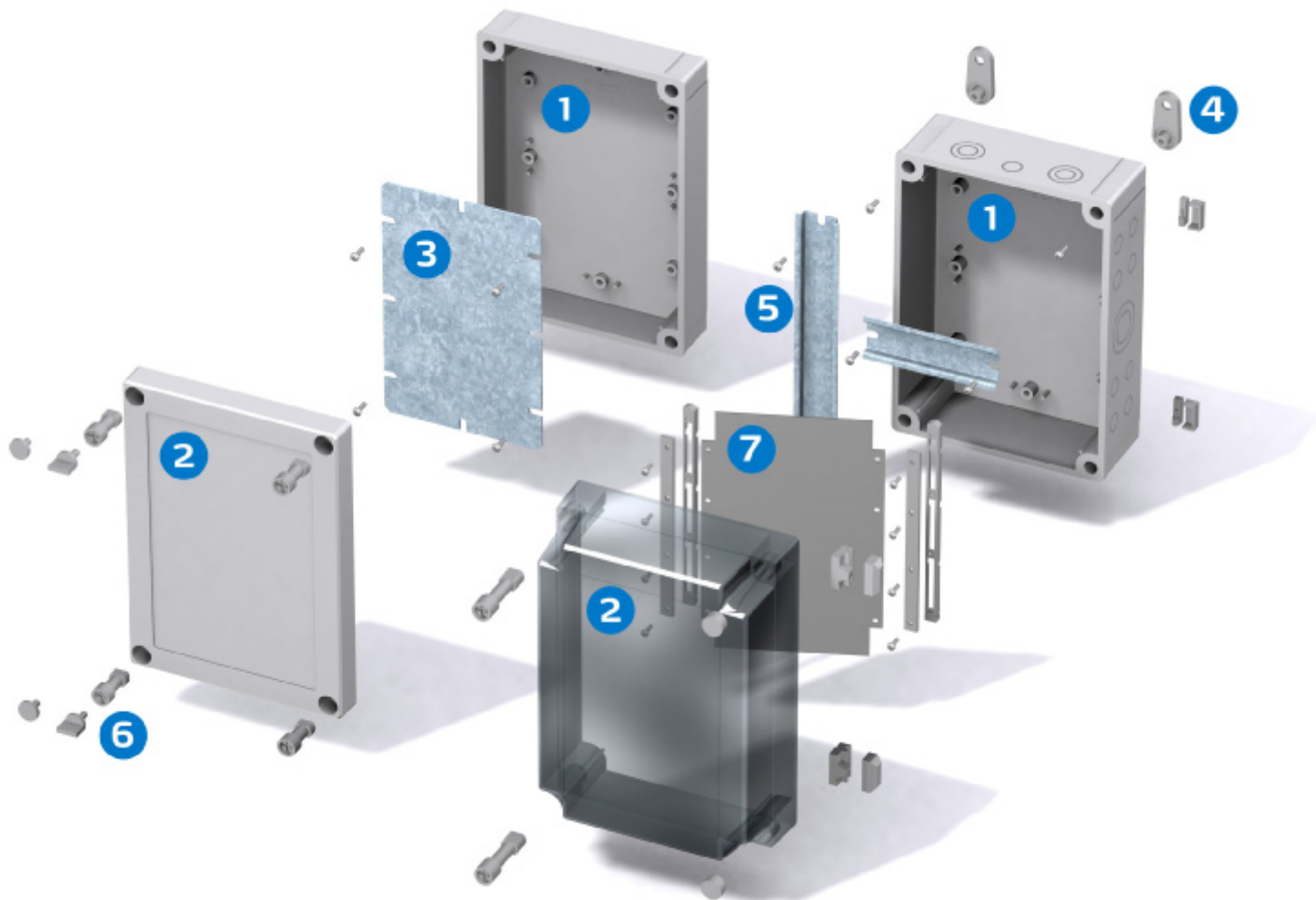
Offers extensive options

This range offers over 260 versions. Choose MNX if you have a large product family that needs to be housed in matching enclosures with the minimum of fuss, no matter the environment or installation height. For the protection of electrical and electronic components of all kinds.

Easy-to-use solutions and functionality.

Designed to house automation, control and switch gear components.

Modular height system.



Enclosure

- 1 PC or ABS enclosure, different heights, optionally also available with metric knockouts to assure a quick fitting assembly
- 2 PC cover, grey or smoked transparent

Accessories

- 3 Mounting plate, Electro-galvanised steel
- 4 Fastening lugs, 4 pcs. incl. screws
- 5 DIN rail TS 15/TS 35
- 6 Cover screws, various versions
- 7 Pivotal front plate, aluminium

PC: IP66/IP67, IK08
 ABS: IP66/IP67, IK07

Dimensions	Order Symbol	Code	EAN Code	Description
100x100x35 mm				
	PC 95/35 LG	6012331	 6 418074 054616	Enclosure, PC Low base, grey cover
	PC 95/35 LT	6012931	 6 418074 054654	Enclosure, PC Low base, smoked transparent cover
	ABS 95/35 LG	6082331	 6 418074 054692	Enclosure, ABS Low base, grey cover
	ABS 95/35 LT	6082931	 6 418074 054739	Enclosure, ABS Low base, smoked transparent cover
100x100x50 mm				
	PC 95/50 LG	6012332	 6 418074 054623	Enclosure, PC Low base, grey cover
	PC 95/50 LT	6012932	 6 418074 054661	Enclosure, PC Low base, smoked transparent cover
	ABS 95/50 LG	6082332	 6 418074 054708	Enclosure, ABS Low base, grey cover
	ABS 95/50 LT	6082932	 6 418074 054746	Enclosure, ABS Low base, smoked transparent cover
100x100x60 mm				
	PC 95/60 HG	6011331	 6 418074 054630	Enclosure, PC High base, grey cover
	PC 95/60 HT	6011931	 6 418074 054678	Enclosure, PC High base, smoked transparent cover
	ABS 95/60 HG	6081331	 6 418074 054715	Enclosure, ABS High base, grey cover
	ABS 95/60 HT	6081931	 6 418074 054753	Enclosure, ABS High base, smoked transparent cover
	PCM 95/60 G	6016331	 6 418074 054777	Enclosure, PC, metric knock-outs Grey cover
	PCM 95/60 T	6016931	 6 418074 054791	Enclosure, PC, metric knock-outs Smoked transparent cover

Dimensions	Order Symbol	Code	EAN Code	Description
100x100x75 mm				
	PC 95/75 HG	6011332	 6 418074 054647	Enclosure, PC High base, grey cover
	PC 95/75 HT	6011932	 6 418074 054685	Enclosure, PC High base, smoked transparent cover
	ABS 95/75 HG	6081332	 6 418074 054722	Enclosure, ABS High base, grey cover
	ABS 95/75 HT	6081932	 6 418074 054760	Enclosure, ABS High base, smoked transparent cover
	PCM 95/75 G	6016332	 6 418074 054784	Enclosure, PC, metric knock-outs Grey cover
	PCM 95/75 T	6016932	 6 418074 054807	Enclosure, PC, metric knock-outs Smoked transparent cover
130x80x35 mm				
	PC 100/35 LG	6012301	 6 418074 022011	Enclosure, PC Low base, grey cover
	PC 100/35 LT	6012901	 6 418074 022257	Enclosure, PC Low base, smoked transparent cover
	ABS 100/35 LG	6082301	 6 418074 022776	Enclosure, ABS Low base, grey cover
	ABS 100/35 LT	6082901	 6 418074 023018	Enclosure, ABS Low base, smoked transparent cover
130x80x50 mm				
	PC 100/50 LG	6012302	 6 418074 024596	Enclosure, PC Low base, grey cover
	PC 100/50 LT	6012902	 6 418074 052391	Enclosure, PC Low base, smoked transparent cover
	ABS 100/50 LG	6082302	 6 418074 052407	Enclosure, ABS Low base, grey cover
	ABS 100/50 LT	6082902	 6 418074 052414	Enclosure, ABS Low base, smoked transparent cover

PC: IP66/IP67, IK08
 ABS: IP66/IP67, IK07

Dimensions	Order Symbol	Code	EAN Code	Description
130x80x60 mm				
	PC 100/60 HG	6011301	 6 418074 022042	Enclosure, PC High base, grey cover
	PC 100/60 HT	6011901	 6 418074 022288	Enclosure, PC High base, smoked transparent cover
	ABS 100/60 HG	6081301	 6 418074 022806	Enclosure, ABS High base, grey cover
	ABS 100/60 HT	6081901	 6 418074 023049	Enclosure, ABS High base, smoked transparent cover
	PCM 100/60 G	6016301	 6 418074 038005	Enclosure, PC, metric knock-outs Grey cover
	PCM 100/60 T	6016901	 6 418074 038173	Enclosure, PC, metric knock-outs Smoked transparent cover
130x80x75 mm				
 	PC 100/75 LG	6012303	 6 418074 022028	Enclosure, PC Low base, grey cover
	PC 100/75 HG	6011302	 6 418074 024404	Enclosure, PC High base, grey cover
	PC 100/75 LT	6012903	 6 418074 022264	Enclosure, PC Low base, smoked transparent cover
	PC 100/75 HT	6011902	 6 418074 024428	Enclosure, PC High base, smoked transparent cover
	ABS 100/75 LG	6082303	 6 418074 022783	Enclosure, ABS Low base, grey cover
	ABS 100/75 HG	6081302	 6 418074 024442	Enclosure, ABS High base, grey cover
	ABS 100/75 LT	6082903	 6 418074 023025	Enclosure, ABS Low base, smoked transparent cover
	ABS 100/75 HT	6081902	 6 418074 024466	Enclosure, ABS High base, smoked transparent cover
	PCM 100/75 G	6016302	 6 418074 024480	Enclosure, PC, metric knock-outs Grey cover

Dimensions	Order Symbol	Code	EAN Code	Description
	PCM 100/75 T	6016902	 6 418074 024503	Enclosure, PC, metric knock-outs Smoked transparent cover
130x80x100 mm				
	PC 100/100 LG	6012304	 6 418074 022035	Enclosure, PC Low base, grey cover
	PC 100/100 HG	6011303	 6 418074 022059	Enclosure, PC High base, grey cover
	PC 100/100 LT	6012904	 6 418074 022271	Enclosure, PC Low base, smoked transparent cover
	PC 100/100 HT	6011903	 6 418074 022295	Enclosure, PC High base, smoked transparent cover
	ABS 100/100 LG	6082304	 6 418074 022790	Enclosure, ABS Low base, grey cover
	ABS 100/100 HG	6081303	 6 418074 022813	Enclosure, ABS High base, grey cover
	ABS 100/100 LT	6082904	 6 418074 023032	Enclosure, ABS Low base, smoked transparent cover
	ABS 100/100 HT	6081903	 6 418074 023056	Enclosure, ABS High base, smoked transparent cover
	PCM 100/100 G	6016303	 6 418074 038012	Enclosure, PC, metric knock-outs Grey cover
	PCM 100/100 T	6016903	 6 418074 038180	Enclosure, PC, metric knock-outs Smoked transparent cover

PC: IP66/IP67, IK08
ABS: IP66/IP67, IK07

Dimensions	Order Symbol	Code	EAN Code	Description
130x80x125 mm				
	PC 100/125 HG	6011304	 6 418074 022066	Enclosure, PC High base, grey cover
	PC 100/125 HT	6011904	 6 418074 022301	Enclosure, PC High base, smoked transparent cover
	ABS 100/125 HG	6081304	 6 418074 022820	Enclosure, ABS High base, grey cover
	ABS 100/125 HT	6081904	 6 418074 023063	Enclosure, ABS High base, smoked transparent cover
	PCM 100/125 G	6016304	 6 418074 038029	Enclosure, PC, metric knock-outs Grey cover
	PCM 100/125 T	6016904	 6 418074 038197	Enclosure, PC, metric knock-outs Smoked transparent cover
130x130x35 mm				
	PC 125/35 LG	6012307	 6 418074 022073	Enclosure, PC Low base, grey cover
	PC 125/35 LT	6012907	 6 418074 022318	Enclosure, PC Low base, smoked transparent cover
	ABS 125/35 LG	6082307	 6 418074 022837	Enclosure, ABS Low base, grey cover
	ABS 125/35 LT	6082907	 6 418074 023070	Enclosure, ABS Low base, smoked transparent cover
130x130x50 mm				
	PC 125/50 LG	6012308	 6 418074 014009	Enclosure, PC Low base, grey cover
	PC 125/50 LT	6012908	 6 418074 014016	Enclosure, PC Low base, smoked transparent cover
	ABS 125/50 LG	6082308	 6 418074 014061	Enclosure, ABS Low base, grey cover
	ABS 125/50 LT	6082908	 6 418074 014078	Enclosure, ABS Low base, smoked transparent cover

Dimensions	Order Symbol	Code	EAN Code	Description
130x130x60 mm				
	PC 125/60 HG	6011307	 6 418074 022103	Enclosure, PC High base, grey cover
	PC 125/60 HT	6011907	 6 418074 022349	Enclosure, PC High base, smoked transparent cover
	ABS 125/60 HG	6081307	 6 418074 022868	Enclosure, ABS High base, grey cover
	ABS 125/60 HT	6081907	 6 418074 023100	Enclosure, ABS High base, smoked transparent cover
	PCM 125/60 G	6016307	 6 418074 038036	Enclosure, PC, metric knock-outs Grey cover
	PCM 125/60 T	6016907	 6 418074 038203	Enclosure, PC, metric knock-outs Smoked transparent cover
130x130x75 mm				
 	PC 125/75 LG	6012309	 6 418074 022080	Enclosure, PC Low base, grey cover
	PC 125/75 HG	6011308	 6 418074 014023	Enclosure, PC High base, grey cover
	PC 125/75 LT	6012909	 6 418074 022325	Enclosure, PC Low base, smoked transparent cover
	PC 125/75 HT	6011908	 6 418074 014030	Enclosure, PC High base, smoked transparent cover
	ABS 125/75 LG	6082309	 6 418074 022844	Enclosure, ABS Low base, grey cover
	ABS 125/75 HG	6081308	 6 418074 014085	Enclosure, ABS High base, grey cover
	ABS 125/75 LT	6082909	 6 418074 023087	Enclosure, ABS Low base, smoked transparent cover
	ABS 125/75 HT	6081908	 6 418074 014092	Enclosure, ABS High base, smoked transparent cover




PC: IP66/IP67, IK08
ABS: IP66/IP67, IK07

Dimensions	Order Symbol	Code	EAN Code	Description
	PCM 125/75 G	6016308	 6 418074 038043	Enclosure, PC, metric knock-outs Grey cover
	PCM 125/75 T	6016908	 6 418074 038210	Enclosure, PC, metric knock-outs Smoked transparent cover
130x130x100 mm				
	PC 125/100 LG	6012310	 6 418074 022097	Enclosure, PC Low base, grey cover
	PC 125/100 HG	6011309	 6 418074 022110	Enclosure, PC High base, grey cover
	PC 125/100 LT	6012910	 6 418074 022332	Enclosure, PC Low base, smoked transparent cover
	PC 125/100 HT	6011909	 6 418074 022356	Enclosure, PC High base, smoked transparent cover
	ABS 125/100 LG	6082310	 6 418074 022851	Enclosure, ABS Low base, grey cover
	ABS 125/100 HG	6081309	 6 418074 022875	Enclosure, ABS High base, grey cover
	ABS 125/100 LT	6082910	 6 418074 023094	Enclosure, ABS Low base, smoked transparent cover
	ABS 125/100 HT	6081909	 6 418074 023117	Enclosure, ABS High base, smoked transparent cover
	PCM 125/100 G	6016309	 6 418074 038050	Enclosure, PC, metric knock-outs Grey cover
	PCM 125/100 T	6016909	 6 418074 038227	Enclosure, PC, metric knock-outs Smoked transparent cover

Dimensions	Order Symbol	Code	EAN Code	Description
130x130x125 mm				
	PC 125/125 HG	6011310	 6 418074 022127	Enclosure, PC High base, grey cover
	PC 125/125 HT	6011910	 6 418074 022363	Enclosure, PC High base, smoked transparent cover
	ABS 125/125 HG	6081310	 6 418074 022882	Enclosure, ABS High base, grey cover
	ABS 125/125 HT	6081910	 6 418074 023124	Enclosure, ABS High base, smoked transparent cover
	PCM 125/125 G	6016310	 6 418074 038067	Enclosure, PC, metric knock-outs Grey cover
	PCM 125/125 T	6016910	 6 418074 038234	Enclosure, PC, metric knock-outs Smoked transparent cover
180x130x35 mm				
	PC 150/35 LG	6012313	 6 418074 022134	Enclosure, PC Low base, grey cover
	PC 150/35 LT	6012913	 6 418074 022370	Enclosure, PC Low base, smoked transparent cover
	ABS 150/35 LG	6082313	 6 418074 022899	Enclosure, ABS Low base, grey cover
	ABS 150/35 LT	6082913	 6 418074 023131	Enclosure, ABS Low base, smoked transparent cover
180x130x50 mm				
	PC 150/50 LG	6012314	 6 418074 022141	Enclosure, PC Low base, grey cover
	PC 150/50 LT	6012914	 6 418074 022387	Enclosure, PC Low base, smoked transparent cover
	ABS 150/50 LG	6082314	 6 418074 022905	Enclosure, ABS Low base, grey cover
	ABS 150/50 LT	6082914	 6 418074 023148	Enclosure, ABS Low base, smoked transparent cover


















PC: IP66/IP67, IK08
ABS: IP66/IP67, IK07

Dimensions	Order Symbol	Code	EAN Code	Description
180x130x60 mm				
	PC 150/60 HG	6011313	 6 418074 022172	Enclosure, PC High base, grey cover
	PC 150/60 HT	6011913	 6 418074 022417	Enclosure, PC High base, smoked transparent cover
	ABS 150/60 HG	6081313	 6 418074 022936	Enclosure, ABS High base, grey cover
	ABS 150/60 HT	6081913	 6 418074 023179	Enclosure, ABS High base, smoked transparent cover
	PCM 150/60 G	6016313	 6 418074 038074	Enclosure, PC, metric knock-outs Grey cover
	PCM 150/60 T	6016913	 6 418074 038241	Enclosure, PC, metric knock-outs Smoked transparent cover
	PC 150/60 HF	6011813	 6 418074 024602	Enclosure, PC High base, grey cover
180x130x75 mm				
	PC 150/75 LG	6012315	 6 418074 022158	Enclosure, PC Low base, grey cover
	PC 150/75 HG	6011314	 6 418074 022189	Enclosure, PC High base, grey cover
	PC 150/75 LT	6012915	 6 418074 022394	Enclosure, PC Low base, smoked transparent cover
	PC 150/75 HT	6011914	 6 418074 022424	Enclosure, PC High base, smoked transparent cover
	ABS 150/75 LG	6082315	 6 418074 022912	Enclosure, ABS Low base, grey cover
	ABS 150/75 HG	6081314	 6 418074 022943	Enclosure, ABS High base, grey cover
	ABS 150/75 LT	6082915	 6 418074 023155	Enclosure, ABS Low base, smoked transparent cover
	ABS 150/75 HT	6081914	 6 418074 023186	Enclosure, ABS High base, smoked transparent cover

Dimensions	Order Symbol	Code	EAN Code	Description
	PCM 150/75 G	6016314	 6 418074 038081	Enclosure, PC, metric knock-outs Grey cover
	PCM 150/75 T	6016914	 6 418074 038258	Enclosure, PC, metric knock-outs Smoked transparent cover
180x130x85 mm				
	PC 150/85 XHG	6013333	 6 418074 061201	Enclosure, PC Extra high base, grey cover
	PC 150/85 XHT	6013933	 6 418074 061263	Enclosure, PC Extra high base, smoked transparent cover
	ABS 150/85 XHG	6083333	 6 418074 061317	Enclosure, ABS Extra high base, grey cover
	ABS 150/85 XHT	6083933	 6 418074 061362	Enclosure, ABS Extra high base, smoked transparent cover
	PC 150/85 XHF	6013833	 6 418074 061218	Enclosure, PC High base, grey cover
	PCM 150/85 XG	6016333	 6 418074 061416	Enclosure, PC, metric knock-outs Extra high base, grey cover
	PCM 150/85 XT	6016933	 6 418074 061461	Enclosure, PC, metric knock-outs Extra high base, smoked transparent cover

PC: IP66/IP67, IK08
 ABS: IP66/IP67, IK07

Dimensions	Order Symbol	Code	EAN Code	Description
180x130x100 mm				
	PC 150/100 LG	6012316	 6 418074 022165	Enclosure, PC Low base, grey cover
	PC 150/100 HG	6011315	 6 418074 022196	Enclosure, PC High base, grey cover
	PC 150/100 LT	6012916	 6 418074 022400	Enclosure, PC Low base, smoked transparent cover
	PC 150/100 HT	6011915	 6 418074 022431	Enclosure, PC High base, smoked transparent cover
	ABS 150/100 LG	6082316	 6 418074 022929	Enclosure, ABS Low base, grey cover
	ABS 150/100 HG	6081315	 6 418074 022950	Enclosure, ABS High base, grey cover
	ABS 150/100 LT	6082916	 6 418074 023162	Enclosure, ABS Low base, smoked transparent cover
	ABS 150/100 HT	6081915	 6 418074 023193	Enclosure, ABS High base, smoked transparent cover
	PCM 150/100 G	6016315	 6 418074 038098	Enclosure, PC, metric knock-outs Grey cover
	PCM 150/100 T	6016915	 6 418074 038265	Enclosure, PC, metric knock-outs Smoked transparent cover
	PC 150/100 XHG	6013334	 6 418074 061225	Enclosure, PC Extra high base, grey cover
	PC 150/100 XHT	6013934	 6 418074 061270	Enclosure, PC Extra high base, smoked transparent cover
	ABS 150/100 XHG	6083334	 6 418074 061324	Enclosure, ABS Extra high base, grey cover
	ABS 150/100 XHT	6083934	 6 418074 061379	Enclosure, ABS Extra high base, smoked transparent cover
	PCM 150/100 XG	6016334	 6 418074 061423	Enclosure, PC, metric knock-outs Extra high base, grey cover
	PCM 150/100 XT	6016934	 6 418074 061478	Enclosure, PC, metric knock-outs Extra high base, smoked transparent cover

Dimensions	Order Symbol	Code	EAN Code	Description
180x130x125 mm				
	PC 150/125 LG	6012317	 6 418074 052155	Enclosure, PC Low base, grey cover
	PC 150/125 HG	6011316	 6 418074 022202	Enclosure, PC High base, grey cover
	PC 150/125 HT	6011916	 6 418074 022448	Enclosure, PC High base, smoked transparent cover
	ABS 150/125 HG	6081316	 6 418074 022967	Enclosure, ABS High base, grey cover
	ABS 150/125 HT	6081916	 6 418074 023209	Enclosure, ABS High base, smoked transparent cover
	PCM 150/125 G	6016316	 6 418074 038104	Enclosure, PC, metric knock-outs Grey cover
	PCM 150/125 T	6016916	 6 418074 038272	Enclosure, PC, metric knock-outs Smoked transparent cover
	PC 150/125 LT	6012917	 6 418074 052162	Enclosure, PC Low base, smoked transparent cover
	ABS 150/125 LG	6082317	 6 418074 052292	Enclosure, ABS Low base, grey cover
	ABS 150/125 LT	6082917	 6 418074 052308	Enclosure, ABS Low base, smoked transparent cover
	PC 150/125 XHG	6013335	 6 418074 061232	Enclosure, PC Extra high base, grey cover
	PC 150/125 XHT	6013935	 6 418074 061287	Enclosure, PC Extra high base, smoked transparent cover
	ABS 150/125 XHG	6083335	 6 418074 061331	Enclosure, ABS Extra high base, grey cover
	ABS 150/125 XHT	6083935	 6 418074 061386	Enclosure, ABS Extra high base, smoked transparent cover
	PCM 150/125 XG	6016335	 6 418074 061430	Enclosure, PC, metric knock-outs Extra high base, grey cover
	PCM 150/125 XT	6016935	 6 418074 061485	Enclosure, PC, metric knock-outs Extra high base, smoked transparent cover



PC: IP66/IP67, IK08
 ABS: IP66/IP67, IK07

Dimensions	Order Symbol	Code	EAN Code	Description
180x130x150 mm				
	PC 150/150 HG	6011317	 6 418074 052179	Enclosure, PC High base, grey cover
	PC 150/150 HT	6011917	 6 418074 052186	Enclosure, PC High base, smoked transparent cover
	PCM 150/150 G	6016317	 6 418074 052230	Enclosure, PC, metric knock-outs Grey cover
	PCM 150/150 T	6016917	 6 418074 052247	Enclosure, PC, metric knock-outs Smoked transparent cover
	ABS 150/150 HG	6081317	 6 418074 052315	Enclosure, ABS High base, grey cover
	ABS 150/150 HT	6081917	 6 418074 052322	Enclosure, ABS High base, smoked transparent cover
	PC 150/150 XHG	6013336	 6 418074 061249	Enclosure, PC Extra high base, grey cover
	PC 150/150 XHT	6013936	 6 418074 061294	Enclosure, PC Extra high base, smoked transparent cover
	ABS 150/150 XHG	6083336	 6 418074 061348	Enclosure, ABS Extra high base, grey cover
	ABS 150/150 XHT	6083936	 6 418074 061393	Enclosure, ABS Extra high base, smoked transparent cover
	PCM 150/150 XG	6016336	 6 418074 061447	Enclosure, PC, metric knock-outs Extra high base, grey cover
	PCM 150/150 XT	6016936	 6 418074 061492	Enclosure, PC, metric knock-outs Extra high base, smoked transparent cover

Dimensions	Order Symbol	Code	EAN Code	Description
180x130x175 mm				
	PC 150/175 XHG	6013337	 6 418074 061256	Enclosure, PC Extra high base, grey cover
	PC 150/175 XHT	6013937	 6 418074 061300	Enclosure, PC Extra high base, smoked transparent cover
	ABS 150/175 XHG	6083337	 6 418074 061355	Enclosure, ABS Extra high base, grey cover
	ABS 150/175 XHT	6083937	 6 418074 061409	Enclosure, ABS Extra high base, smoked transparent cover
	PCM 150/175 XG	6016337	 6 418074 061454	Enclosure, PC, metric knock-outs Extra high base, grey cover
	PCM 150/175 XT	6016937	 6 418074 061508	Enclosure, PC, metric knock-outs Extra high base, smoked transparent cover
180x180x60 mm				
	PC 175/60 HG	6011319	 6 418074 022219	Enclosure, PC High base, grey cover
	PC 175/60 HT	6011919	 6 418074 022455	Enclosure, PC High base, smoked transparent cover
	ABS 175/60 HG	6081319	 6 418074 022974	Enclosure, ABS High base, grey cover
	ABS 175/60 HT	6081919	 6 418074 023216	Enclosure, ABS High base, smoked transparent cover
	PCM 175/60 G	6016319	 6 418074 038111	Enclosure, PC, metric knock-outs Grey cover
	PCM 175/60 T	6016919	 6 418074 038289	Enclosure, PC, metric knock-outs Smoked transparent cover

PC: IP66/IP67, IK08
ABS: IP66/IP67, IK07

Dimensions	Order Symbol	Code	EAN Code	Description
180x180x75 mm				
	PC 175/75 HG	6011320	 6 418074 024411	Enclosure, PC High base, grey cover
	PC 175/75 HT	6011920	 6 418074 024435	Enclosure, PC High base, smoked transparent cover
	ABS 175/75 HG	6081320	 6 418074 024459	Enclosure, ABS High base, grey cover
	ABS 175/75 HT	6081920	 6 418074 024473	Enclosure, ABS High base, smoked transparent cover
	PCM 175/75 G	6016320	 6 418074 024497	Enclosure, PC, metric knock-outs Grey cover
	PCM 175/75 T	6016920	 6 418074 024510	Enclosure, PC, metric knock-outs Smoked transparent cover
180x180x100 mm				
 	PC 175/100 HG	6011321	 6 418074 022226	Enclosure, PC High base, grey cover
	PC 175/100 HT	6011921	 6 418074 022462	Enclosure, PC High base, smoked transparent cover
	ABS 175/100 HG	6081321	 6 418074 022981	Enclosure, ABS High base, grey cover
	ABS 175/100 HT	6081921	 6 418074 023223	Enclosure, ABS High base, smoked transparent cover
	PCM 175/100 G	6016321	 6 418074 038128	Enclosure, PC, metric knock-outs Grey cover
	PCM 175/100 T	6016921	 6 418074 038296	Enclosure, PC, metric knock-outs Smoked transparent cover
	PC 175/100 XHG	6013340	 6 418074 011701	Enclosure, PC High base, grey cover
	PC 175/100 XHT	6013940	 6 418074 011756	Enclosure, PC High base, Smoked transparent cover
PCM 175/100 XG	6016340	 6 418074 011800	Enclosure, PC, metric knock-outs Grey cover	

Dimensions	Order Symbol	Code	EAN Code	Description
	PCM 175/100 XT	6016940	 6 418074 011855	Enclosure, PC, metric knock-outs Smoked transparent cover
	ABS 175/100 XHG	6083340	 6 418074 011909	Enclosure, ABS High base, grey cover
	ABS 175/100 XHT	6083940	 6 418074 011954	Enclosure, ABS High base, smoked transparent cover
180x180x125 mm				
	PC 175/125 HG	6011322	 6 418074 052193	Enclosure, PC High base, grey cover
	PC 175/125 HT	6011922	 6 418074 052209	Enclosure, PC High base, smoked transparent cover
	PCM 175/125 G	6016322	 6 418074 052254	Enclosure, PC, metric knock-outs Grey cover
	PCM 175/125 T	6016922	 6 418074 052261	Enclosure, PC, metric knock-outs Smoked transparent cover
	ABS 175/125 HG	6081322	 6 418074 052339	Enclosure, ABS High base, grey cover
	ABS 175/125 HT	6081922	 6 418074 052346	Enclosure, ABS High base, smoked transparent cover
	PC 175/125 XHG	6013341	 6 418074 011718	Enclosure, PC High base, grey cover
	PC 175/125 XHT	6013941	 6 418074 011763	Enclosure, PC High base, Smoked transparent cover
	PCM 175/125 XG	6016341	 6 418074 011817	Enclosure, PC, metric knock-outs Grey cover
	PCM 175/125 XT	6016941	 6 418074 011862	Enclosure, PC, metric knock-outs Smoked transparent cover
	ABS 175/125 XHG	6083341	 6 418074 011916	Enclosure, ABS High base, grey cover
	ABS 175/125 XHT	6083941	 6 418074 011961	Enclosure, ABS High base, smoked transparent cover

PC: IP66/IP67, IK08
 ABS: IP66/IP67, IK07

Dimensions	Order Symbol	Code	EAN Code	Description
180x180x150 mm				
	PC 175/150 HG	6011323	 6 418074 052216	Enclosure, PC High base, grey cover
	PC 175/150 HT	6011923	 6 418074 052223	Enclosure, PC High base, smoked transparent cover
	PCM 175/150 G	6016323	 6 418074 052278	Enclosure, PC, metric knock-outs Grey cover
	PCM 175/150 T	6016923	 6 418074 052285	Enclosure, PC, metric knock-outs Smoked transparent cover
	ABS 175/150 HG	6081323	 6 418074 052353	Enclosure, ABS High base, grey cover
	ABS 175/150 HT	6081923	 6 418074 052360	Enclosure, ABS High base, smoked transparent cover
	PC 175/150 XHG	6013342	 6 418074 011725	Enclosure, PC High base, grey cover
	PC 175/150 XHT	6013942	 6 418074 011770	Enclosure, PC High base, Smoked transparent cover
	PCM 175/150 XG	6016342	 6 418074 011824	Enclosure, PC, metric knock-outs Grey cover
	PCM 175/150 XT	6016942	 6 418074 011879	Enclosure, PC, metric knock-outs Smoked transparent cover
	ABS 175/150 XHG	6083342	 6 418074 011923	Enclosure, ABS High base, grey cover
	ABS 175/150 XHT	6083942	 6 418074 011978	Enclosure, ABS High base, smoked transparent cover

Dimensions	Order Symbol	Code	EAN Code	Description
255x180x63 mm				
	PC 200/63 HG	6011324	 6 418074 051912	Enclosure, PC High base, grey cover
	PC 200/63 HT	6011924	 6 418074 051929	Enclosure, PC High base, smoked transparent cover
	ABS 200/63 HG	6081324	 6 418074 051998	Enclosure, ABS High base, grey cover
	ABS 200/63 HT	6081924	 6 418074 052001	Enclosure, ABS High base, smoked transparent cover
	PCM 200/63 G	6016324	 6 418074 051950	Enclosure, PC, metric knock-outs Grey cover
	PCM 200/63 T	6016924	 6 418074 051967	Enclosure, PC, metric knock-outs Smoked transparent cover
255x180x75 mm				
	PC 200/75 HG	6011326	 6 418074 021977	Enclosure, PC High base, grey cover
	PC 200/75 HT	6011926	 6 418074 021984	Enclosure, PC High base, smoked transparent cover
	ABS 200/75 HG	6081326	 6 418074 021779	Enclosure, ABS High base, grey cover
	ABS 200/75 HT	6081926	 6 418074 021786	Enclosure, ABS High base, smoked transparent cover
	PCM 200/75 G	6016326	 6 418074 038142	Enclosure, PC, metric knock-outs Grey cover
	PCM 200/75 T	6016926	 6 418074 038319	Enclosure, PC, metric knock-outs Smoked transparent cover

PC: IP66/IP67, IK08
 ABS: IP66/IP67, IK07

Dimensions	Order Symbol	Code	EAN Code	Description
255x180x88 mm				
	PC 200/88 XHG	6013330	 6 418074 051936	Enclosure, PC Extra high base, grey cover
	PC 200/88 XHT	6013930	 6 418074 051943	Enclosure, PC Extra high base, smoked transparent cover
	ABS 200/88 XHG	6083330	 6 418074 052018	Enclosure, ABS Extra high base, grey cover
	ABS 200/88 XHT	6083930	 6 418074 052025	Enclosure, ABS Extra high base, smoked transparent cover
	PCM 200/88 XG	6015330	 6 418074 051974	Enclosure, PC, metric knock-outs Extra high base, grey cover
	PCM 200/88 XT	6015930	 6 418074 051981	Enclosure, PC, metric knock-outs Extra high base, smoked transparent cover
255x180x100 mm				
	PC 200/100 HG	6011327	 6 418074 022240	Enclosure, PC High base, grey cover
	PC 200/100 XHG	6013326	 6 418074 021915	Enclosure, PC Extra high base, grey cover
	PC 200/100 HT	6011927	 6 418074 022486	Enclosure, PC High base, smoked transparent cover
	PC 200/100 XHT	6013926	 6 418074 021922	Enclosure, PC Extra high base, smoked transparent cover
	ABS 200/100 HG	6081327	 6 418074 023001	Enclosure, ABS High base, grey cover
	ABS 200/100 XHG	6083326	 6 418074 021717	Enclosure, ABS Extra high base, grey cover
	ABS 200/100 HT	6081927	 6 418074 023247	Enclosure, ABS High base, smoked transparent cover
	ABS 200/100 XHT	6083926	 6 418074 021724	Enclosure, ABS Extra high base, smoked transparent cover
	PCM 200/100 G	6016327	 6 418074 038159	Enclosure, PC, metric knock-outs Grey cover

Dimensions	Order Symbol	Code	EAN Code	Description
	PCM 200/100 XG	6015326	 6 418074 038357	Enclosure, PC, metric knock-outs Extra high base, grey cover
	PCM 200/100 T	6016927	 6 418074 038326	Enclosure, PC, metric knock-outs Smoked transparent cover
	PCM 200/100 XT	6015926	 6 418074 038395	Enclosure, PC, metric knock-outs Extra high base, smoked transparent cover
255x180x125 mm				
	PC 200/125 XHG	6013327	 6 418074 021939	Enclosure, PC Extra high base, grey cover
	PC 200/125 XHT	6013927	 6 418074 021946	Enclosure, PC Extra high base, smoked transparent cover
	ABS 200/125 XHG	6083327	 6 418074 021731	Enclosure, ABS Extra high base, grey cover
	ABS 200/125 XHT	6083927	 6 418074 021748	Enclosure, ABS Extra high base, smoked transparent cover
	PCM 200/125 XG	6015327	 6 418074 038364	Enclosure, PC, metric knock-outs Extra high base, grey cover
	PCM 200/125 XT	6015927	 6 418074 038401	Enclosure, PC, metric knock-outs Extra high base, smoked transparent cover
255x180x150 mm				
	PC 200/150 HG	6011329	 6 418074 014108	Enclosure, PC High base, grey cover
	PC 200/150 HT	6011929	 6 418074 014115	Enclosure, PC High base, smoked transparent cover
	ABS 200/150 HG	6081329	 6 418074 014146	Enclosure, ABS High base, grey cover
	ABS 200/150 HT	6081929	 6 418074 014153	Enclosure, ABS High base, smoked transparent cover
	PCM 200/150 G	6016329	 6 418074 038166	Enclosure, PC, metric knock-outs Grey cover
	PCM 200/150 T	6016929	 6 418074 038333	Enclosure, PC, metric knock-outs Smoked transparent cover

PC: IP66/IP67, IK08
 ABS: IP66/IP67, IK07

Dimensions	Order Symbol	Code	EAN Code	Description
255x180x175 mm				
	PC 200/175 XHG	6013329	 6 418074 021953	Enclosure, PC Extra high base, grey cover
	PC 200/175 XHT	6013929	 6 418074 021960	Enclosure, PC Extra high base, smoked transparent cover
	ABS 200/175 XHG	6083329	 6 418074 021755	Enclosure, ABS Extra high base, grey cover
	ABS 200/175 XHT	6083929	 6 418074 021762	Enclosure, ABS Extra high base, smoked transparent cover
	PCM 200/175 XG	6015329	 6 418074 038371	Enclosure, PC, metric knock-outs Extra high base, grey cover
	PCM 200/175 XT	6015929	 6 418074 038418	Enclosure, PC, metric knock-outs Extra high base, smoked transparent cover
360x255x152 mm				
	PC 300/150 ZG	6017338	 6 418074 061515	Enclosure, PC Grey cover
	PC 300/150 ZT	6017938	 6 418074 061522	Enclosure, PC Smoked transparent cover
	ABS 300/150 ZG	6087338	 6 418074 061539	Enclosure, ABS Grey cover
	ABS 300/150 ZT	6087938	 6 418074 061546	Enclosure, ABS Smoked transparent cover
	PCM 300/150 ZG	6016338	 6 418074 061553	Enclosure, PC, metric knock-outs Grey cover
	PCM 300/150 ZT	6016938	 6 418074 061560	Enclosure, PC, metric knock-outs Smoked transparent cover

MNX technical information

Property	Polycarbonate (PC)	ABS
Ingress Protection (EN 60529)	IP 66/IP 67	IP 66/IP 67
Impact Resistance (EN 62262)	IK 08	IK 07
Temperature Range Celsius (short term)	-40° . . 120°C	-40° . . 80°C
Temperature Range Celsius (continuous)	-40° . . 80°C	-40° . . 60°C
Temperature Range Fahrenheit (short term)	-40° . . 250°F	-40° . . 175°F
Temperature Range Fahrenheit (continuous)	-40° . . 175°F	-40° . . 140°F
Electrical Insulation	Totally insulated ☐	Totally insulated ☐
Light Grey Parts Colour	RAL 7035 Industry Grey	RAL 7035 Industry Grey
Transparent Clear PC Cover	Smoked Grey	Smoked Grey
Cover Screws	Black or Grey	Black or Grey
Cover Screws	Polyamide (PA)	Polyamide (PA)
Gasket	TPE/PUR	TPE/PUR
Enclosure Flammability Rating	UL 746C 5V*	
Glow Wire Test (IEC 695-2-1) Self-extinguishing (PC)	960°C	650°C
Non-toxicity	Halogen Free	Halogen Free
UV resistance	UL 508 720 hours in "Weatherometer"	
Chemical Resistance **	Good	Good

Conformity to standards

USA Enclosures for Electrical Equipment
 PC: UL Type 1, 4, 4X, 6 (12 or 13); UL File E75645 Vol 1 Sec 7;
 UL 746C-5VA flame test (UL 50/508)*
 ABS: NEMA 1, 4, 4X, 6 (12 or 13)

Canada Industrial Control Equipment
 Enclosures for Electrical Equipment/ULc*

Europe Empty enclosures for low-voltage switchgear and controlgear assemblies EN 62208:2003

Europe Safety of Information Technology Equipment EN 60950
 RoHS directive 2002/95/EC

Russia GostR - Gost Russian certificate of conformity

*UL label on request

Data subject to change without notice.





** Consult separate raw material data for more detailed information

	Order symbol	Code	Dimensions	EAN code	Description
Mounting plates (Galvanized steel, sheet thickness 1,5 mm)					
	MIV 95	5514583	80x66	 6 418074 056696	Mounting plate (Galvanized steel), for enclosures: 100x100x35-100x100x75
	MIV 100	5514076	48x98	 6 418074 039484	Mounting plate (Galvanized steel), for enclosures: 130x80x35-130x80x125
	MIV 125	5514077	98x98	 6 418074 039491	Mounting plate (Galvanized steel), for enclosures: 130x130x35-130x130x125
	MIV 150	5514078	98x148	 6 418074 039507	Mounting plate (Galvanized steel), for enclosures: 180x130x35-255x180x175
	MIV 175	5514079	148x148	 6 418074 039514	Mounting plate (Galvanized steel), for enclosures: 180x180x60-180x180x125
	MIV 200	5514080	148x223	 6 418074 039521	Mounting plate (Galvanized steel), for enclosures: 255x180x63-255x180x175
	MIV 300	5514585	225x330	 6 418074 061577	Mounting plate (Galvanized steel), for enclosures: 360x255x152
DIN-15 Mounting rails (Galvanized steel, rail height 5,0 mm)					
	MIN 5	6314575	50x15	 6 418074 023278	DIN-15 Mounting rail, for enclosures: 130x80x35-130x80x125
	MIN 8	6314584	80x15	 6 418074 058188	DIN-15 Mounting rail, for enclosures: 100x100x35-100x100x75
	MIN 10	6314576	100x15	 6 418074 023285	DIN-15 Mounting rail, for enclosures: 130x80x35-180x130x175
	MIN 15	6314577	150x15	 6 418074 023292	DIN-15 Mounting rail, for enclosures: 180x130x35-360x255x152
	MIN 20	6314578	225x15	 6 418074 023308	DIN-15 Mounting rail, for enclosures: 255x180x63-360x255x152

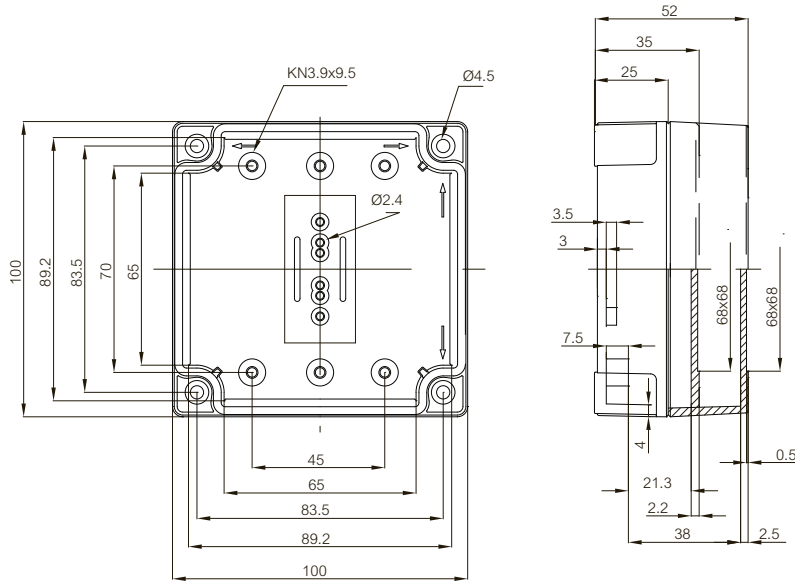
	Order symbol	Code	Dimensions	EAN code	Description
DIN-35 Mounting rails (Galvanized steel, rail height 7,5 mm)					
	MIV 5	5514081	50x35	 6 418074 033185	DIN-35 Mounting rail, for enclosures: 130x80x35-130x80x125
	MIV 10	5514082	100x35	 6 418074 033192	DIN-35 Mounting rail, for enclosures: 130x80x35-180x130x175
	MIV 15	5514083	150x35	 6 418074 033208	DIN-35 Mounting rail, for enclosures: 180x130x35-360x255x152
	MIV 20	5514084	225x35	 6 418074 033215	DIN-35 Mounting rail, for enclosures: 255x180x63-360x255x152
	MIV 30	5514586	329x35	 6 418074 061584	DIN-35 Mounting rail, for enclosures: 360x255x152
Front plates (Aluminium, sheet thickness 1,5 mm)					
	FP A 100/130	6314570	62x120	 6 418074 023339	Front plate (Aluminium), for enclosures: 130x80x35-130x80x125
	FP A 125/130	6314571	112x120	 6 418074 023346	Front plate (Aluminium), for enclosures: 130x130x35-130x130x125
	FP A 150/180	6314572	112x170	 6 418074 023353	Front plate (Aluminium), for enclosures: 180x130x35-180x130x175
	FP A 175/180	6314573	162x170	 6 418074 023360	Front plate (Aluminium), for enclosures: 180x180x60-180x180x150
	FP A 200/180	6314574	170x237	 6 418074 023377	Front plate (Aluminium), for enclosures: 255x180x63-255x180x175
Front plate hinge series					
	HFP 130	6314563		 6 418074 023315	Front plate hinge series for FP A 100-125
	HFP 180	6314564		 6 418074 023322	Front plate hinge series for FP A 150-200

	Order symbol	Code	Dimensions	EAN code	Description
Hinges and wall mounting					
	TH A	9802001		 6 418074 034120	Grey plastic hinges (2 pcs) incl. mounting screws
	TH BA	9802000		 6 418074 062147	Black plastic hinges (2 pcs) incl. mounting screws
	MB 14560	6314560		 6 418074 039859	Grey blind plug Use with TH A hinges
	MB 14560B	6334560		 6 418074 005281	Black blind plug Use with TH BA hinges
	FP 22046	8522346		 6 418074 033482	Wall fastening lug (4 pcs) incl. screws
	FP 10674	5510674		 6 418074 033079	Wall fastening lug (2 pcs) incl. screws
Cover screws					
	SS 14550L	6314550		 6 418074 023421	Cover screw for 10/13 mm cover, grey
	SS 14551H	6314551		 6 418074 023438	Cover screw for 25-100 mm covers, grey
	SS 14550BL	6334550		 6 418074 024374	Cover screw for 10/13 mm cover, black
	SS 14551BH	6334551		 6 418074 024381	Cover screw for 25-100 mm covers, black
Grey screw set for grey covers					
	MBS LL	6300001		 6 418074 023384	Low cover (10/13 mm) Low base (25 mm)
	MBS LH	6300002		 6 418074 023391	Low cover (10/13 mm) High base (50-125 mm)
	MBS HL	6300003		 6 418074 023407	High cover (25-100 mm) Low base (25 mm)
	MBS HH	6300004		 6 418074 023414	High cover (25-100 mm) High base (50-125 mm)

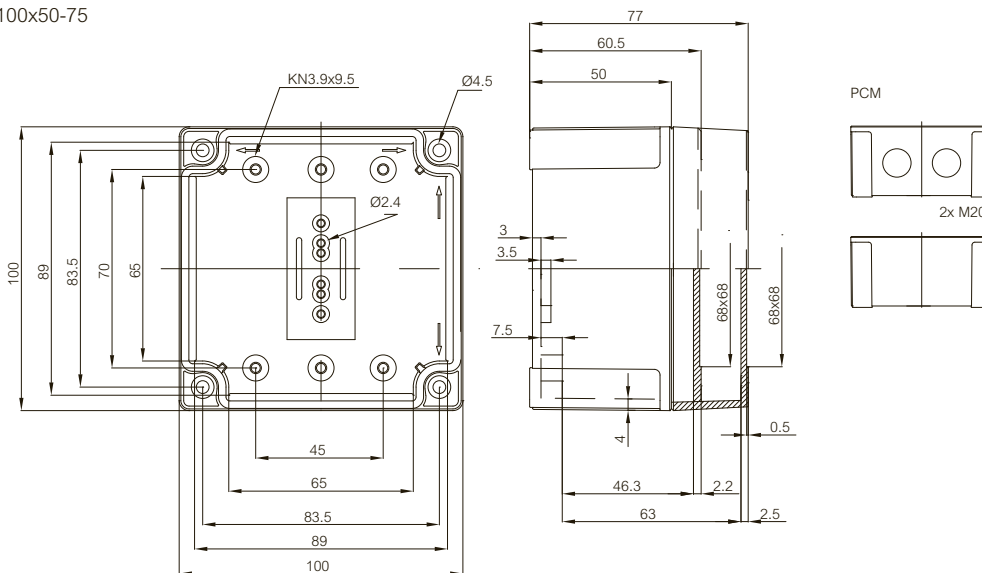
	Order symbol	Code	Dimensions	EAN code	Description
Black screw set for transparent covers					
	MBS BLL	6330001		 6 418074 024336	Low cover (10/13 mm) Low base (25 mm)
	MBS BLH	6330002		 6 418074 024343	Low cover (10/13 mm) High base (50 - 125 mm)
	MBS BHL	6330003		 6 418074 024350	High cover (25-100 mm) Low base (25 mm)
	MBS BHH	6330004		 6 418074 024367	High cover (25-100 mm) High base (50-125 mm)
Polyamide wing heads					
	MB 14552	6314552		 6 418074 023254	Wing head for cover screw Grey
	MB 14552B	6334552		 6 418074 040589	Wing head for cover screw Black
	MBS 14552	6300005		 6 418074 005144	Grey wing head set (40 pcs)
	MBS 14552B	6330005		 6 418074 005182	Black wing head set (40 pcs)
Polyamide sealing plugs					
	DP 14553	6314553		 6 418074 023261	Sealing plug for cover screw Grey
	DP 14553B	6334553		 6 418074 040763	Sealing plug for cover screw Black
	DPS 14553	6300006		 6 418074 005151	Grey sealing plug set (40 pcs)
	DPS 14553B	6330006		 6 418074 005274	Black sealing plug set (40 pcs)

	Order symbol	Code	Dimensions	EAN code	Description
Mounting screws					
	MR ZN2.9x6.5	6314052		 6 418074 040817	Mounting screw only for low bases (25 mm)
	KN 3.9x9.5	5514042		 6 418074 039477	Mounting screw
	KN 3.9x9.5-10 SET	5614042		 6 418074 062130	Mounting screw set 10pcs

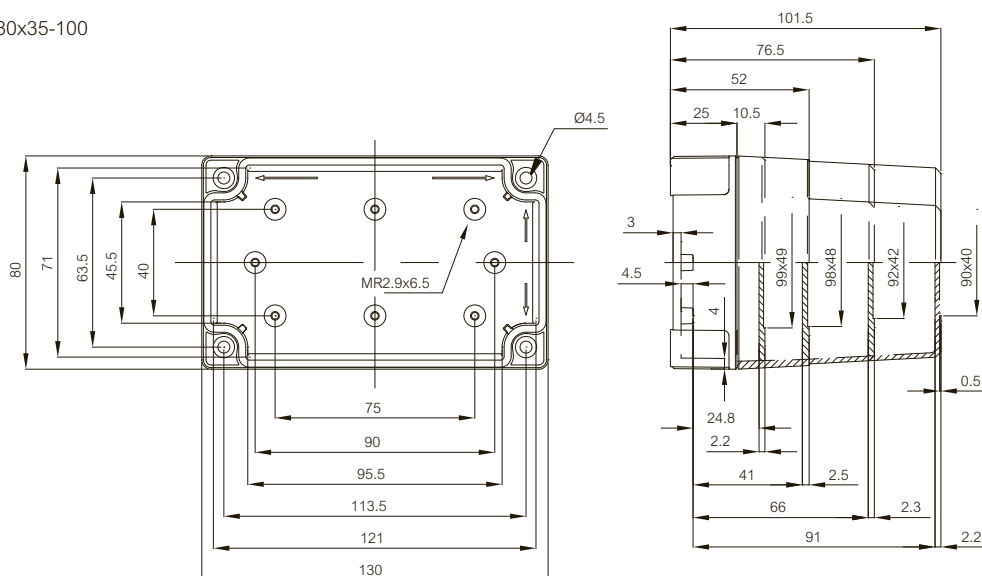
MNX 100x100x35-50



MNX 100x100x50-75

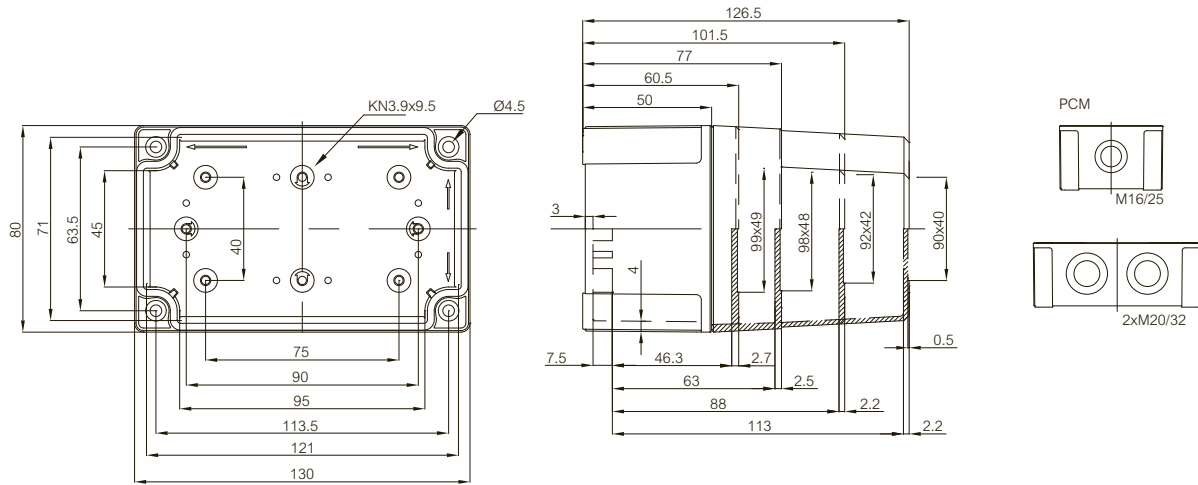


MNX 130x80x35-100

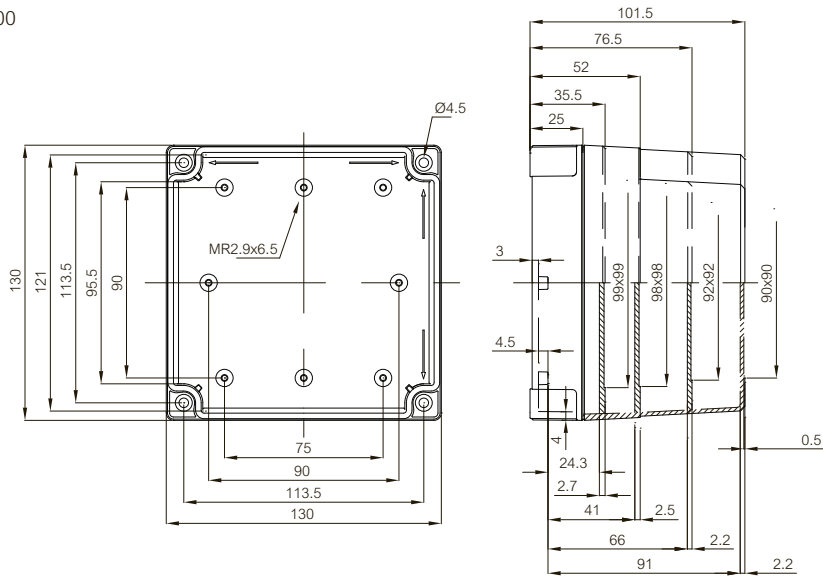


Dimensional drawings

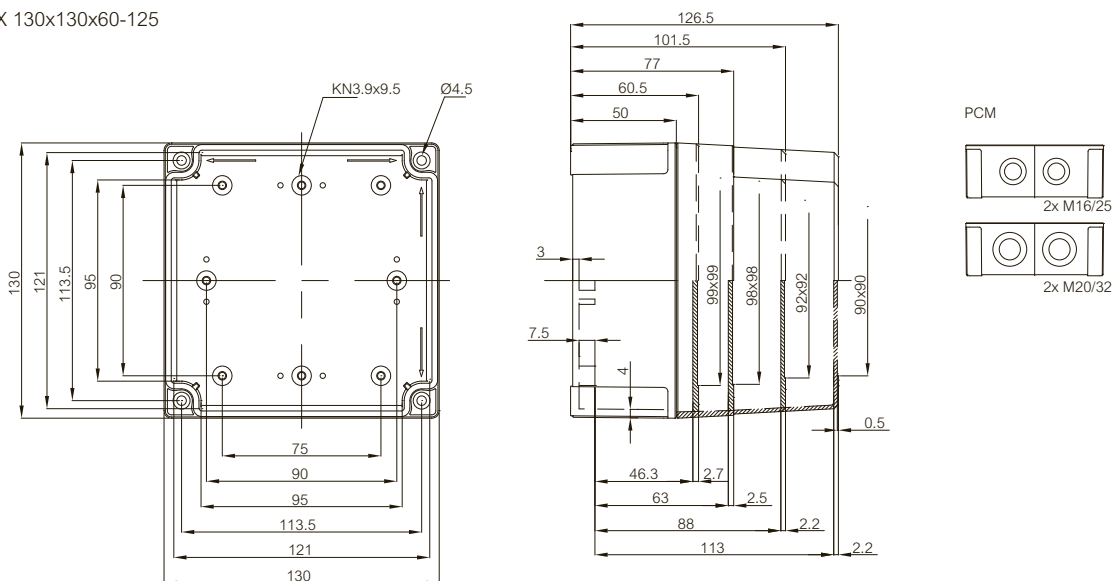
MNX 130x80x60-125



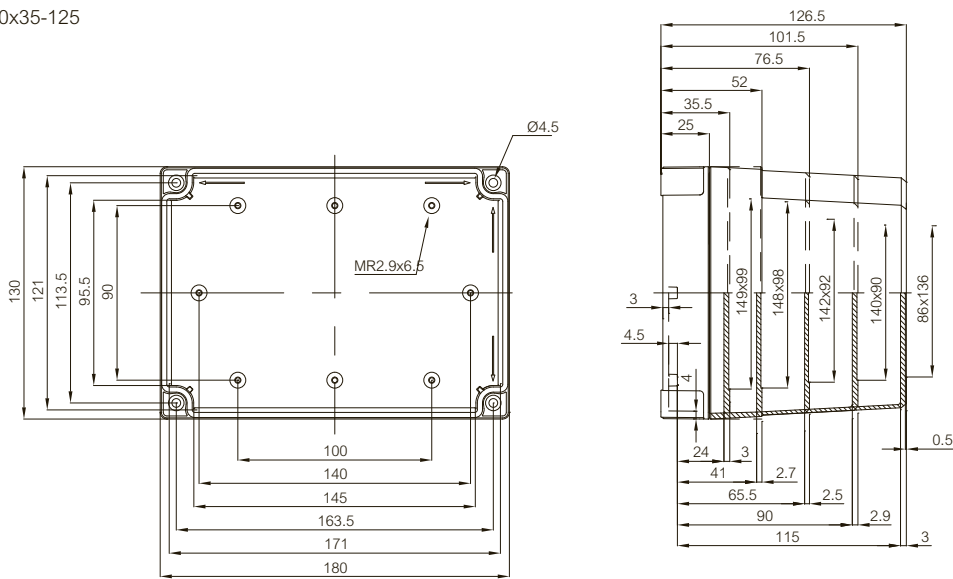
MNX 130x130x35-100



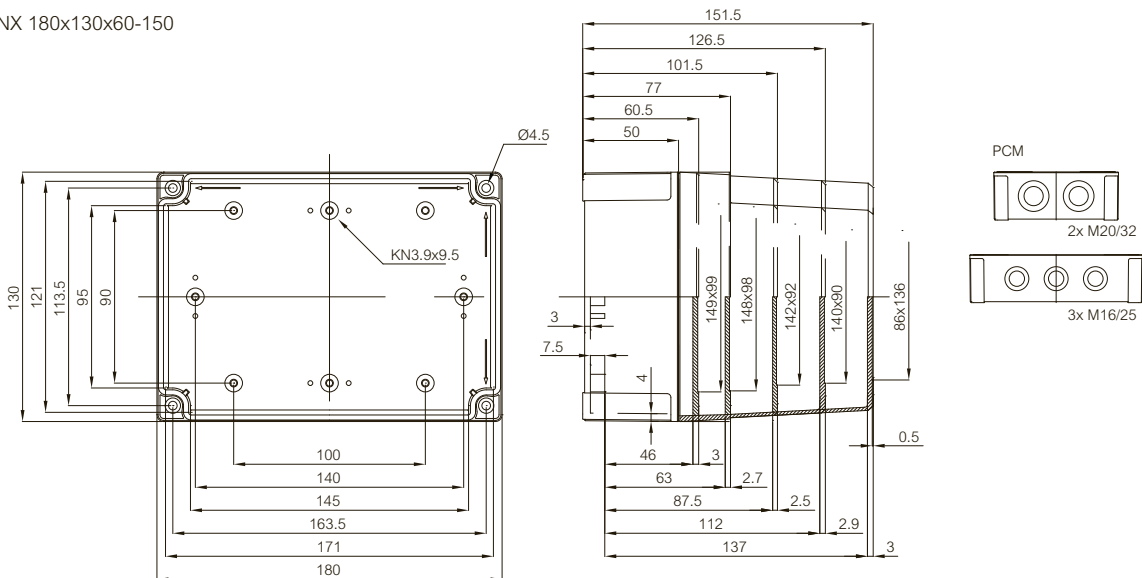
MNX 130x130x60-125



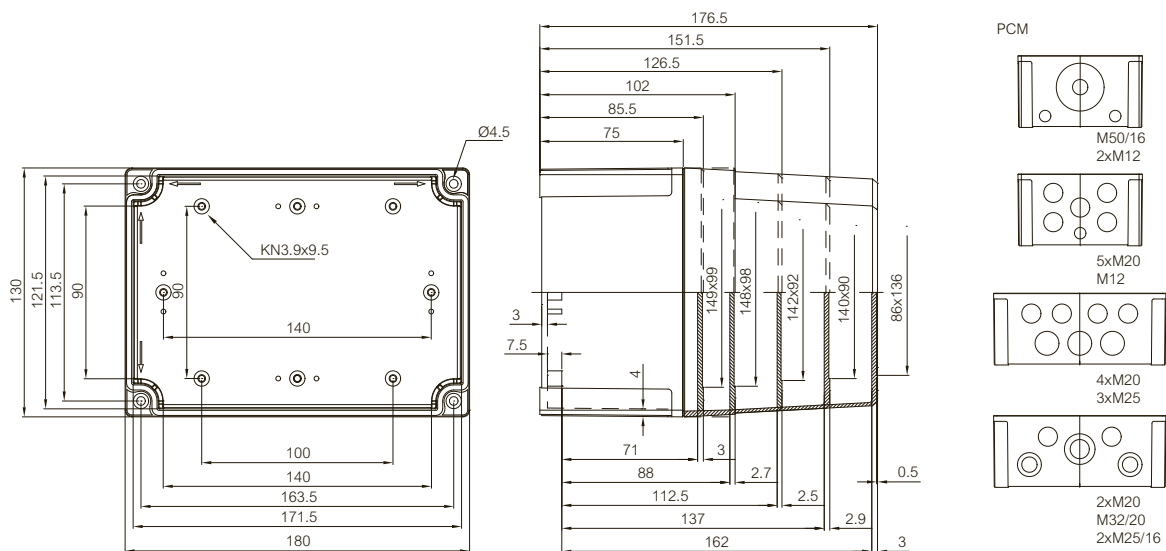
MNX 180x130x35-125



MNX 180x130x60-150

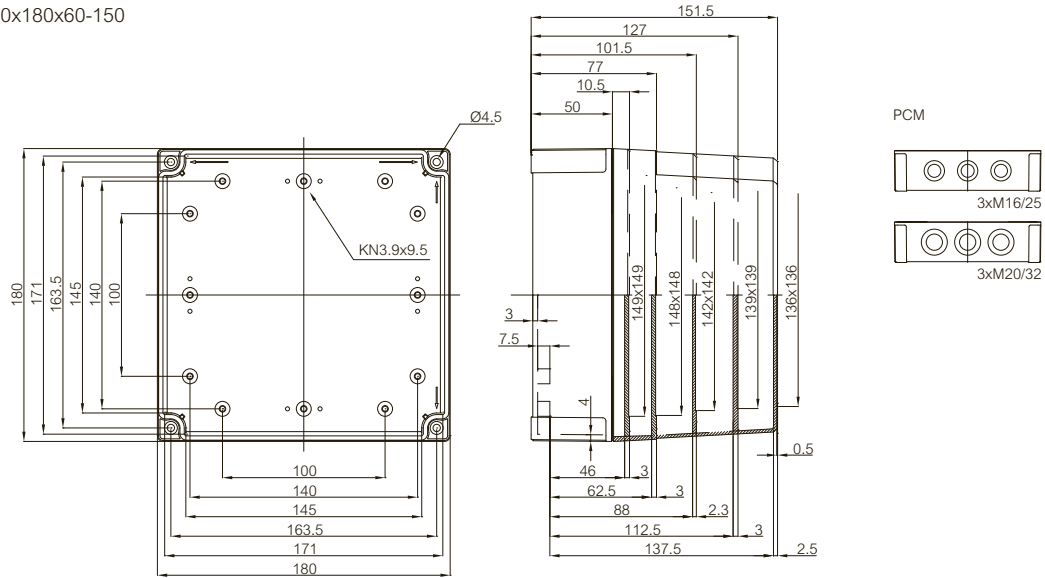


MNX 180x130x85-175

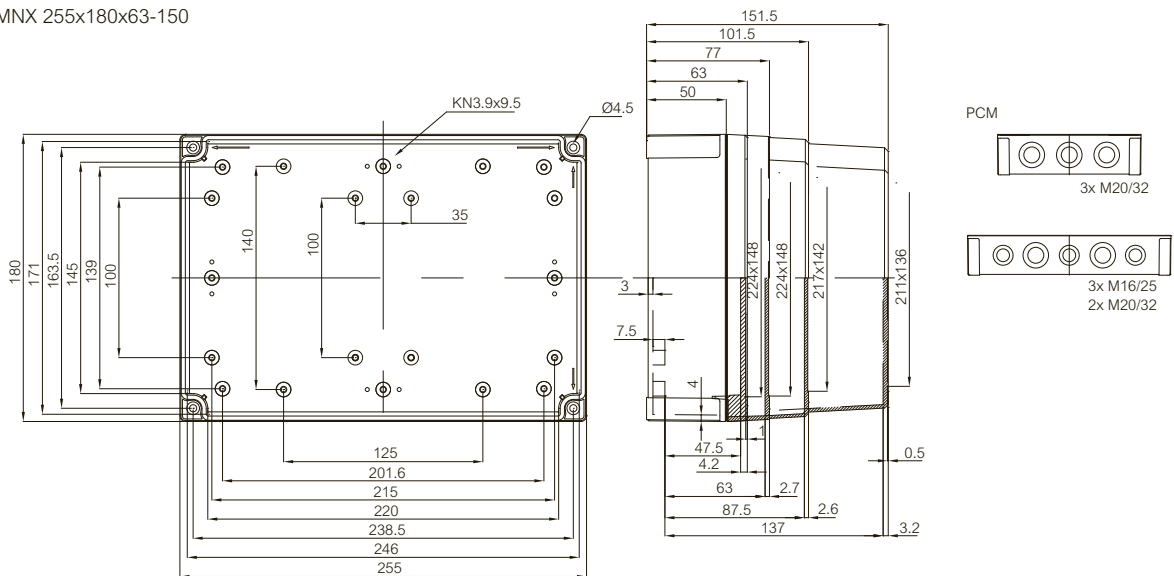


Dimensional drawings

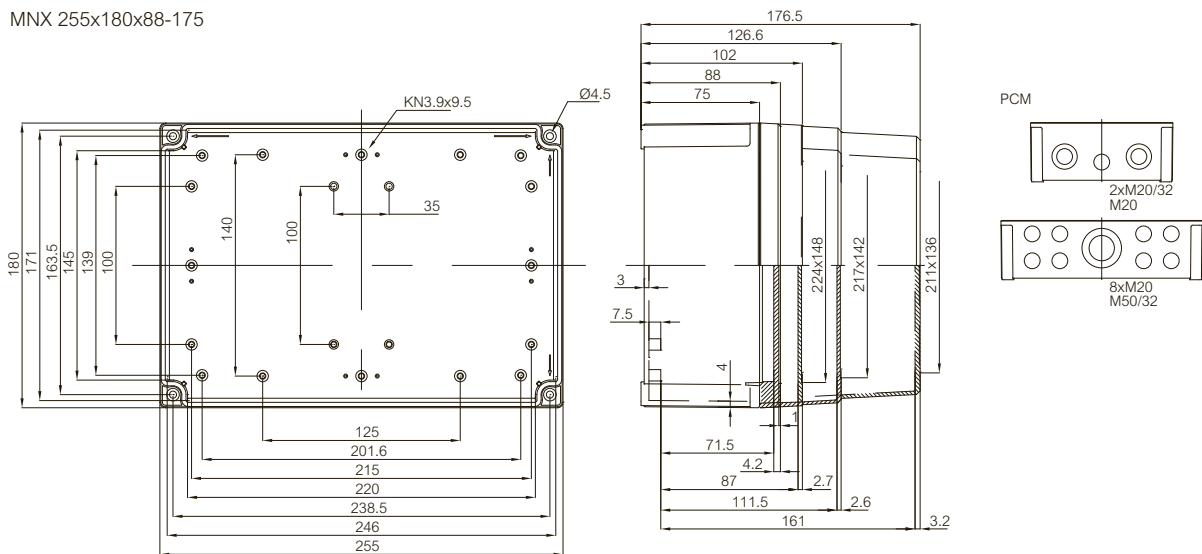
MNX 180x180x60-150



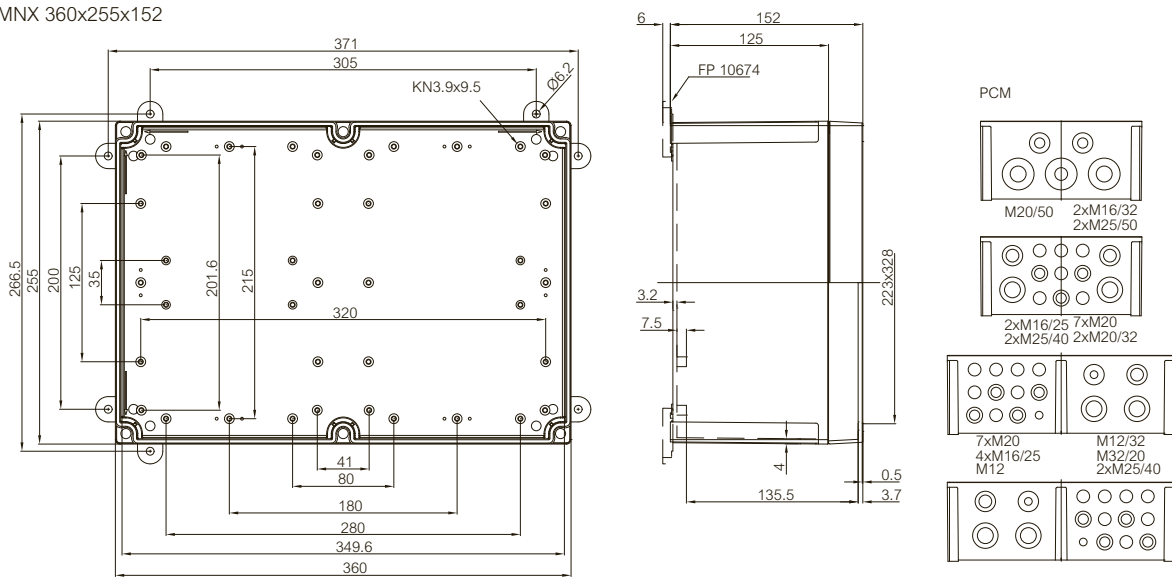
MNX 255x180x63-150



MNX 255x180x88-175



MNX 360x255x152



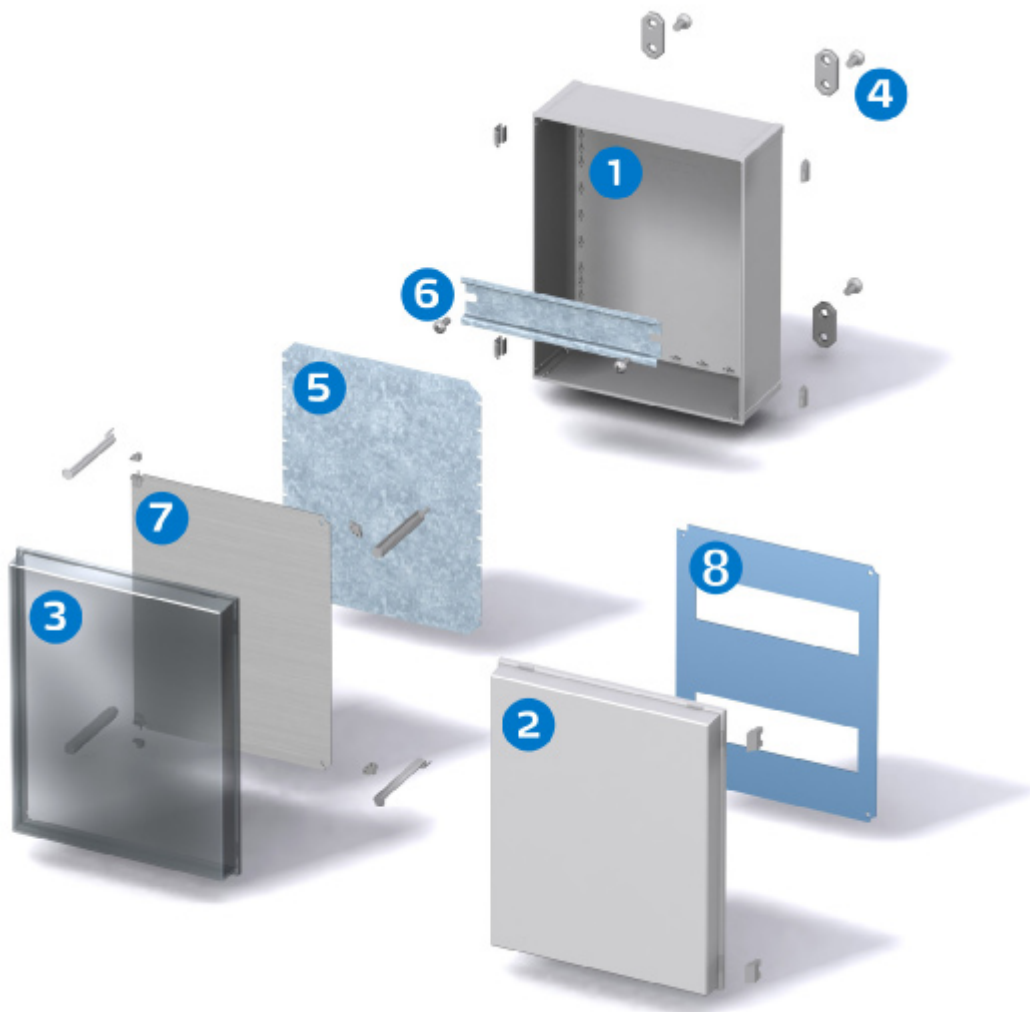




Withstands sudden impacts

If you need major impact resistance, then CAB may be the enclosure for you. Think of the harshest and most demanding environments – CAB will not let you down. It will resist weathering and take the knocks better than steel. A wide selection is available.

Impact-resistant material.



Enclosure

- 1 Enclosure base
- 2 Cover, grey incl. PUR gasket
- 3 Cover, transparent
Hinges on the long/short side

Accessories

- 4 Fastening lugs, 4 pcs. incl. screws
Hinge set for CAB/Quick, corner plug
- 5 Mounting plate, electro-galvanised steel
- 6 DIN rail TS 35
- 7 Pivotal front plate, aluminium with mounting kit
- 8 Front plate has flexible opening and depth mounting options.

CAB PC/ABS

Including: Cabinet base, door with PUR gasket, latches, screws for mounting plate/DIN-rail and corner plugs.

PC: IP65, IK08
ABS: IP65, IK08

Dimensions	Order Symbol	Code	EAN Code	Description
150x150x110 mm				
	CAB PC 151511 G	8113320	 6 418074 057891	Cabinet, PC, Grey door Latch on the short side
	CAB PC 151511 T	8113020	 6 418074 057907	Cabinet, PC, Smoked transparent door Latch on the short side
	CAB ABS 151511 G	8183320	 6 418074 057914	Cabinet, ABS, Grey door Latch on the short side
	CAB ABS 151511 T	8183020	 6 418074 057921	Cabinet, ABS, Smoked transparent door Latch on the short side
250x150x110 mm				
	CAB PC 251511 G	8113325	 6 418074 048950	Cabinet, PC, Grey door Latches on the long side
	CAB PC 251511 T	8113025	 6 418074 048974	Cabinet, PC, Smoked transparent door Latches on the long side
	CAB ABS 251511 G	8183325	 6 418074 048998	Cabinet, ABS, Grey door Latches on the long side
	CAB ABS 251511 T	8183025	 6 418074 049018	Cabinet, ABS, Smoked transparent door Latches on the long side
300x200x180 mm				
	CAB PC 203018 G	8113331	 6 418074 020024	Cabinet, PC, Grey door Latch on the short side
	CAB PC 203018 T	8113031	 6 418074 020031	Cabinet, PC, Smoked transparent door Latch on the short side
	CAB PC 203018 G3B	8113334	 6 418074 012586	Cabinet, PC, Grey door Lock on the short side
	CAB PC 203018 T3B	8113036	 6 418074 012548	Cabinet, PC, Smoked transparent door Lock on the short side
	CAB PC 302018 G	8113330	 6 418074 020000	Cabinet, PC, Grey door Latches on the long side
	CAB PC 302018 T	8113030	 6 418074 020017	Cabinet, PC, Smoked transparent door Latches on the long side

Dimensions	Order Symbol	Code	EAN Code	Description
	CAB PC 302018 G3B	8113332	 6 418074 020048	Cabinet, PC, Grey door Lock on the long side
	CAB PC 302018 T3B	8113032	 6 418074 020055	Cabinet, PC, Smoked transparent door Lock on the long side
	CAB ABS 203018 G	8183331	 6 418074 020086	Cabinet, ABS, Grey door Latch on the short side
	CAB ABS 203018 T	8183031	 6 418074 020093	Cabinet, ABS, Smoked transparent door Latch on the short side
	CAB ABS 203018 G3B	8183334	 6 418074 012791	Cabinet, ABS, Grey door Lock on the short side
	CAB ABS 203018 T3B	8183034	 6 418074 012753	Cabinet, ABS, Smoked transparent door Lock on the short side
	CAB ABS 302018 G	8183330	 6 418074 020062	Cabinet, ABS, Grey door Latches on the long side
	CAB ABS 302018 T	8183030	 6 418074 020079	Cabinet, ABS, Smoked transparent door Latches on the long side
	CAB ABS 302018 G3B	8183332	 6 418074 020109	Cabinet, ABS, Grey door Lock on the long side
	CAB ABS 302018 T3B	8183032	 6 418074 020116	Cabinet, ABS, Smoked transparent door Lock on the long side
300x300x180 mm				
	CAB PC 303018 G	8113340	 6 418074 020123	Cabinet, PC, Grey door Latches on the long side
	CAB PC 303018 T	8113040	 6 418074 020130	Cabinet, PC, Smoked transparent door Latches on the long side
	CAB PC 303018 G3B	8113342	 6 418074 020147	Cabinet, PC, Grey door Lock on the long side
	CAB PC 303018 T3B	8113042	 6 418074 020154	Cabinet, PC, Smoked transparent door Lock on the long side
	CAB ABS 303018 G	8183340	 6 418074 020161	Cabinet, ABS, Grey door Latches on the long side

CAB PC/ABS

Including: Cabinet base, door with PUR gasket, latches, screws for mounting plate/DIN-rail and corner plugs.

PC: IP65, IK08
ABS: IP65, IK08


Dimensions	Order Symbol	Code	EAN Code	Description
	CAB ABS 303018 T	8183040	 6 418074 020178	Cabinet, ABS, Smoked transparent door Latches on the long side
	CAB ABS 303018 G3B	8183342	 6 418074 020185	Cabinet, ABS, Grey door Lock on the long side
	CAB ABS 303018 T3B	8183042	 6 418074 020192	Cabinet, ABS, Smoked transparent door Lock on the long side
350x250x150 mm				
	CAB PC 352515 G	8113335	 6 418074 049032	Cabinet, PC, Grey door Latches on the long side
	CAB PC 253515 G	8113336	 6 418074 049049	Cabinet, PC, Grey door Latch on the short side
	CAB PC 352515 T	8113035	 6 418074 049056	Cabinet, PC, Smoked transparent door Latches on the long side
	CAB PC 253515 T	8113037	 6 418074 049063	Cabinet, PC, Smoked transparent door Latch on the short side
	CAB ABS 352515 G	8183335	 6 418074 049070	Cabinet, ABS, Grey door Latches on the long side
	CAB ABS 253515 G	8183336	 6 418074 049087	Cabinet, ABS, Grey door Latches on the short side
	CAB ABS 352515 T	8183035	 6 418074 049094	Cabinet, ABS, Smoked transparent door Latches on the long side
	CAB ABS 253515 T	8183036	 6 418074 049100	Cabinet, ABS, Smoked transparent door Latches on the short side
400x300x160 mm				
	CAB ABS 403016 G	8183345	 6 418074 049193	Cabinet, ABS, Grey door Latches on the long side
	CAB ABS 304016 G	8183346	 6 418074 049209	Cabinet, ABS, Grey door Latches on the short side

Dimensions	Order Symbol	Code	EAN Code	Description
400x300x180 mm				
	CAB PC 304018 G	8113351	 6 418074 020222	Cabinet, PC, Grey door Latches on the short side
	CAB PC 304018 T	8113051	 6 418074 020239	Cabinet, PC, Smoked transparent door Latches on the short side
	CAB PC 304018 G3B	8113354	 6 418074 012593	Cabinet, PC, Grey door Locks on the short side
	CAB PC 304018 T3B	8113054	 6 418074 012555	Cabinet, PC, Smoked transparent door Locks on the short side
	CAB PC 403018 G	8113350	 6 418074 020208	Cabinet, PC, Grey door Latches on the long side
	CAB PC 403018 T	8113050	 6 418074 020215	Cabinet, PC, Smoked transparent door Latches on the long side
	CAB PC 403018 G3B	8113352	 6 418074 020246	Cabinet, PC, Grey door Locks on the long side
	CAB PC 403018 T3B	8113052	 6 418074 020253	Cabinet, PC, Smoked transparent door Locks on the long side
	CAB ABS 304018 G	8183351	 6 418074 020284	Cabinet, ABS, Grey door Latches on the short side
	CAB ABS 304018 T	8183051	 6 418074 020291	Cabinet, ABS, Smoked transparent door Latches on the short side
	CAB ABS 403018 G	8183350	 6 418074 020260	Cabinet, ABS, Grey door Latches on the long side
	CAB ABS 403018 T	8183050	 6 418074 020277	Cabinet, ABS, Smoked transparent door Latches on the long side
	CAB ABS 304018 G3B	8183354	 6 418074 012937	Cabinet, ABS, Grey door Locks on the short side
	CAB ABS 304018 T3B	8183054	 6 418074 012760	Cabinet, ABS, Smoked transparent door Locks on the short side
	CAB ABS 403018 G3B	8183352	 6 418074 020307	Cabinet, ABS, Grey door Locks on the long side
	CAB ABS 403018 T3B	8183052	 6 418074 020314	Cabinet, ABS, Smoked transparent door Locks on the long side

CAB PC/ABS

Including: Cabinet base, door with PUR gasket, latches, screws for mounting plate/DIN-rail and corner plugs.

PC: IP65, IK08
ABS: IP65, IK08

Dimensions	Order Symbol	Code	EAN Code	Description
450x350x160 mm				
	CAB PC 453516 G	8113355	 6 418074 049117	Cabinet, PC, Grey door Latches on the long side
	CAB PC 354516 G	8113356	 6 418074 049124	Cabinet, PC, Grey door Latches on the short side
	CAB PC 453516 T	8113055	 6 418074 049131	Cabinet, PC, Smoked transparent door Latches on the long side
	CAB PC 354516 T	8113056	 6 418074 049148	Cabinet, PC, Smoked transparent door Latches on the short side
	CAB ABS 453516 G	8183355	 6 418074 049155	Cabinet, ABS, Grey door Latches on the long side
	CAB ABS 354516 G	8183356	 6 418074 049162	Cabinet, ABS, Grey door Latches on the short side
	CAB ABS 453516 T	8183055	 6 418074 049179	Cabinet, ABS, Smoked transparent door Latches on the long side
	CAB ABS 354516 T	8183056	 6 418074 049186	Cabinet, ABS, Smoked transparent door Latches on the short side
500x400x200 mm				
	CAB PC 405020 G	8113361	 6 418074 020345	Cabinet, PC, Grey door Latches on the short side
	CAB PC 405020 T	8113061	 6 418074 020352	Cabinet, PC, Smoked transparent door Latches on the short side
	CAB PC 405020 G3B	8113364	 6 418074 012746	Cabinet, PC, Grey door Locks on the short side
	CAB PC 405020 T3B	8113064	 6 418074 008688	Cabinet, PC, Smoked transparent door Locks on the short side
	CAB PC 504020 G	8113360	 6 418074 020321	Cabinet, PC, Grey door Latches on the long side
	CAB PC 504020 T	8113060	 6 418074 020338	Cabinet, PC, Smoked transparent door Latches on the long side



Dimensions	Order Symbol	Code	EAN Code	Description
	CAB PC 504020 G3B	8113362	 6 418074 020369	Cabinet, PC, Grey door Locks on the long side
	CAB PC 504020 T3B	8113062	 6 418074 020376	Cabinet, PC, Smoked transparent door Locks on the long side
	CAB ABS 405020 G	8183361	 6 418074 020406	Cabinet, ABS, Grey door Latches on the short side
	CAB ABS 405020 T	8183061	 6 418074 020413	Cabinet, ABS, Smoked transparent door Latches on the short side
	CAB ABS 405020 G3B	8183366	 6 418074 012944	Cabinet, ABS, Grey door Locks on the short side
	CAB ABS 405020 T3B	8183066	 6 418074 012777	Cabinet, ABS, Smoked transparent door Locks on the short side
	CAB ABS 504020 G	8183360	 6 418074 020383	Cabinet, ABS, Grey door Latches on the long side
	CAB ABS 504020 T	8183060	 6 418074 020390	Cabinet, ABS, Smoked transparent door Latches on the long side
	CAB ABS 504020 G3B	8183362	 6 418074 020420	Cabinet, ABS, Grey door Locks on the long side
	CAB ABS 504020 T3B	8183062	 6 418074 020437	Cabinet, ABS, Smoked transparent door Locks on the long side
600x400x220 mm				
	CAB PC 604022 G	8113370	 6 418074 020444	Cabinet, PC, Grey door Latches on the long side
	CAB PC 604022 T	8113070	 6 418074 020451	Cabinet, PC, Smoked transparent door Latches on the long side
	CAB PC 604022 G3B	8113372	 6 418074 020468	Cabinet, PC, Grey door Locks on the long side
	CAB PC 604022 T3B	8113072	 6 418074 020475	Cabinet, PC, Smoked transparent door Locks on the long side
	CAB ABS 604022 G	8183370	 6 418074 020482	Cabinet, ABS, Grey door Latches on the long side

CAB PC/ABS



Including: Cabinet base, door with PUR gasket, latches, screws for mounting plate/DIN-rail and corner plugs.

PC: IP65, IK08

ABS: IP65, IK08

Dimensions	Order Symbol	Code	EAN Code	Description
	CAB ABS 604022 T	8183070	 6 418074 020499	Cabinet, ABS, Smoked transparent door Latches on the long side
	CAB ABS 604022 G3B	8183372	 6 418074 020505	Cabinet, ABS, Grey door Locks on the long side
	CAB ABS 604022 T3B	8183072	 6 418074 020512	Cabinet, ABS, Smoked transparent door Locks on the long side

CAB PC/ABS technical information

Property	Polycarbonate (PC)	ABS	Conformity to standards
Ingress Protection (EN 60529)	IP 65	IP 65	USA Enclosures for Electrical Equipment PC: UL Type 1, 4, 4X, 12 or 13; UL File E75645 Vol 1 Sec 6; UL 746C-5VA flame test (UL 50/508)* P: NEMA 1, 3, 3S, 4, 4X, 12 or 13 ABS: NEMA 1, 4, 4X, 12 or 13 Canada Industrial Control Equipment Enclosures for Electrical Equipment/ULc* Europe Empty enclosures for low-voltage switchgear and controlgear assemblies EN 62208:2003 Europe Safety of Information Technology Equipment EN 60950 RoHS directive 2002/95/EC Russia GostR - Gost Russian certificate of conformity *UL label on request
Impact Resistance (EN 62262)	IK 08	IK 08	
Temperature Range Celsius (short term)	-40°...120°C	-40°...80°C	
Temperature Range Celsius (continuous)	-40°...80°C	-40°...60°C	
Electrical Insulation	Totally insulated 	Totally insulated 	
Light Grey Parts Colour	RAL 7035 Industry Grey	RAL 7035 Industry Grey	
Transparent Clear PC Cover	Smoked Grey	Smoked Grey	
Hinges and Latches (PC)	RAL 7035	RAL 5023	
Gasket	PUR/EPDM	PUR/EPDM	
Enclosure Flammability Rating	UL 746C 5V*		
Glow Wire Test (IEC 695-2-1) Self-extinguishing (PC)	960°C	650°C	
Non-toxicity	Halogen Free	Halogen Free	
UV resistance	UL 508 720 hours in "Weatherometer"		
Chemical Resistance **	Good	Good	

Data subject to change without notice.

** Consult separate raw material data for more detailed information

	Order symbol	Code	Dimensions	EAN code	Description
Mounting plates (Galvanized steel, sheet thickness 1,5 mm)					
	EKIV 15	4712462	125x125	6 418074 057938	Mounting plate, for enclosures: 150x150x110
	EKIV 23	4712117	270x170	6 418074 032713	Mounting plate, for enclosures: 300x200x170, 300x200x180
	EKIV 2515	4712122	208x125	6 418074 049216	Mounting plate, for enclosures: 250x150x110
	EKIV 33	4712118	270x270	6 418074 032720	Mounting plate, for enclosures: 300x300x170, 300x300x180, 600x300x170
	EKIV 3525	4712125	320x220	6 418074 049230	Mounting plate, for enclosures: 350x250x150
	EKIV 43	4712119	270x370	6 418074 032737	Mounting plate, for enclosures: 400x300x170, 400x300x230, 400x300x180
	EKIV 4535	4712139	425x320	6 418074 049254	Mounting plate, for enclosures: 450x350x160
	EKIV 54	8392230	370x470	6 418074 021557	Mounting plate, for enclosures: 500x400x200
	EKIV 64H	4712300	370x570	6 418074 034991	Mounting plate, for enclosures: 600x400x210, 600x400x270, 600x400x220
Mounting plates (Plastic)					
	EKIV 2515 PL	4712222	208x125	6 418074 049223	Mounting plate, plastic, for enclosures: 250x150x110
	EKIV 3525 PL	4712225	320x220	6 418074 049247	Mounting plate, plastic, for enclosures: 350x250x150
	EKIV 43 PL	4712239	370x270	6 418074 049261	Mounting plate, plastic, for enclosures: 450x350x160

	Order symbol	Code	Dimensions	EAN code	Description
DIN-35 Mounting rails (Galvanized steel, rail height 7,5 mm)					
	TRH 15	9822021	122x35	 6 418074 059680	DIN-35 Mounting rail, for enclosures: 340x150x101, 340x150x121
	EKIV 17	4712126	166x35	 6 418074 032768	DIN-35 Mounting rail, for enclosures: 300x200x170, 300x200x180
	EKIV 27	4712127	266x35	 6 418074 032775	DIN-35 Mounting rail, for enclosures: 300x200x170-400x300x230, 300x200x180-400x300x180
	EKIV 37	4712128	366x35	 6 418074 032782	DIN-35 Mounting rail, for enclosures: 400x300x170, 400x300x230, 400x400x170, 600x400x210, 600x400x270, 400x300x180, 500x400x200, 600x400x220
	EKIV 47	8392231	466x35	 6 418074 021670	DIN-35 Mounting rail, for enclosures: 500x400x200
Front plates (Aluminium, sheet thickness 1,5 mm)					
	FP A 23	8392226	268x166	 6 418074 021564	Swing-out door/Front plate (aluminium), for enclosures: 300x200x170, 300x200x180
	FP A 33	8392227	268x266	 6 418074 021571	Swing-out door/Front plate (aluminium), for enclosures: 300x300x170, 300x300x180
	FP A 43	8392224	368x266	 6 418074 021588	Swing-out door/Front plate (aluminium), for enclosures: 400x300x170, 400x300x230, 400x300x180
	FP A 54	8392228	366x468	 6 418074 021595	Swing-out door/Front plate (aluminium), for enclosures: 500x400x200
	FP A 64	8392229	366x568	 6 418074 021601	Swing-out door/Front plate (aluminium), for enclosures: 600x400x210, 600x400x270, 600x400x220

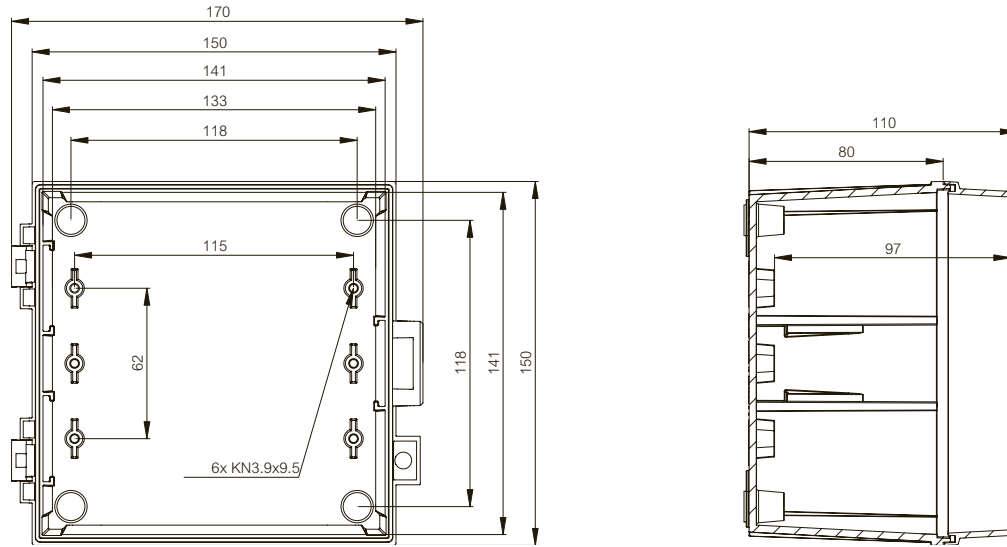
	Order symbol	Code	Dimensions	EAN code	Description
Swing door sets					
	MB 12225 AL	8390007		 6 418074 033116	Swing door set for aluminium front plates
	MB 12225	8390001		 6 418074 021540	Swing door set for plastic front plates
Front plates with module openings					
	FP 12-23	8392218	278x178	 6 418074 021618	Front plate, for enclosures: 300x200x170, 300x200x180
	FP 12-33	8392219	278x278	 6 418074 021625	Front plate, for enclosures: 300x300x170, 300x300x180
	FP 12x2-33	8392220	278x278	 6 418074 021632	Front plate, for enclosures: 300x300x170, 300x300x180
	FP 12x2-43	8392222	278x378	 6 418074 021649	Front plate, for enclosures: 400x300x170, 400x300x230, 400x300x180
	FP 12x3-43	8392221	278x378	 6 418074 021663	Front plate, for enclosures: 400x300x170, 400x300x230, 400x300x180
	FP 18X2-54	8392188	478x378	 6 418074 035936	Front plate, for enclosures: 500x400x200
	FP 18x3-64	8392232	378x578	 6 418074 035943	Front plate, for enclosures: 600x400x210, 600x400x270, 600x400x220
DIN rail supports					
	FP 12190	4512190		 6 418074 032478	DIN rail support
	FP 12190SET	4712190		 6 418074 032904	DIN rail support set

	Order symbol	Code	Dimensions	EAN code	Description
Formed front plates					
	FP 23	8392285	176x268	 6 418074 033048	Front plate, for enclosures: 300x200x180
	FP 33	8392305	268x276	 6 418074 033055	Front plate, for enclosures: 300x300x180
	FP 43	8392306	268x376	 6 418074 035950	Front plate, for enclosures: 400x300x180
	FP 54	8392317	368x476	 6 418074 035967	Front plate, for enclosures: 500x400x200
	FP 64	8392319	368x576	 6 418074 035974	Front plate, for enclosures: 600x400x220
Hinges and wall mounting					
	MB CH SET	8390003		 6 418074 035011	Hinge set for CAB/Quick
	FP 12017	4712045		 6 418074 032560	Wall fastening lug (4 pcs)
	SP 12087	4712087		 6 418074 032621	Corner plug, red
Pole mounting					
	PM 60	8390008		 6 418074 051806	Pole mount set min 50 max 70 mm
	PM 120	8390009		 6 418074 051813	Pole mount set min 100 max 120 mm

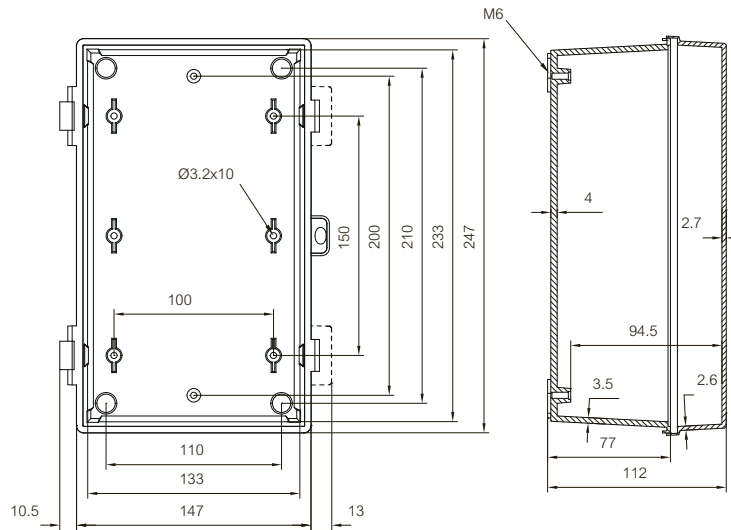
	Order symbol	Code	Dimensions	EAN code	Description
DIN rail frame sets					
	DRF 23	4712200		 6 418074 040923	DIN rail frame set, for enclosures: 300x200x170, 300x200x180
	DRF 33	4712205		 6 418074 040930	DIN rail frame set, for enclosures: 300x200x170, 300x300x170, 600x300x170, 300x300x180
	DRF 43/44	4712201		 6 418074 040947	DIN rail frame set, for enclosures: 400x300x170, 400x300x230, 400x400x170, 400x300x180
	DRF 54	4712203		 6 418074 040954	DIN rail frame set, for enclosures: 500x400x200
	DRF 63/64	4712204		 6 418074 040961	DIN rail frame set, for enclosures: 600x400x210, 600x400x270, 600x400x220
Spacers					
	FA 12053	4712053		 6 418074 032171	Spacer 14 mm M5 self-cutting
	FA 12052	4712052		 6 418074 032164	Spacer 42 mm M5 self-cutting
	M5x8	4712161		 6 418074 032881	Mounting screw for spacer
	MB 10686	3730686		 6 418074 031181	Set of 2 spacers including screws (15/34 mm)
Other accessories					
	MSM PT 5x10	4712049		 6 418074 032577	Mounting screw
	PT 60 x 11 PH2 SET	3570580		 6 418074 031426	Mounting screw set (4pcs) For Ø5,2 mm (mounting) pods
	MB 12235 KEY	8392235		 6 418074 024329	Plastic key for the lock

Dimensional drawings

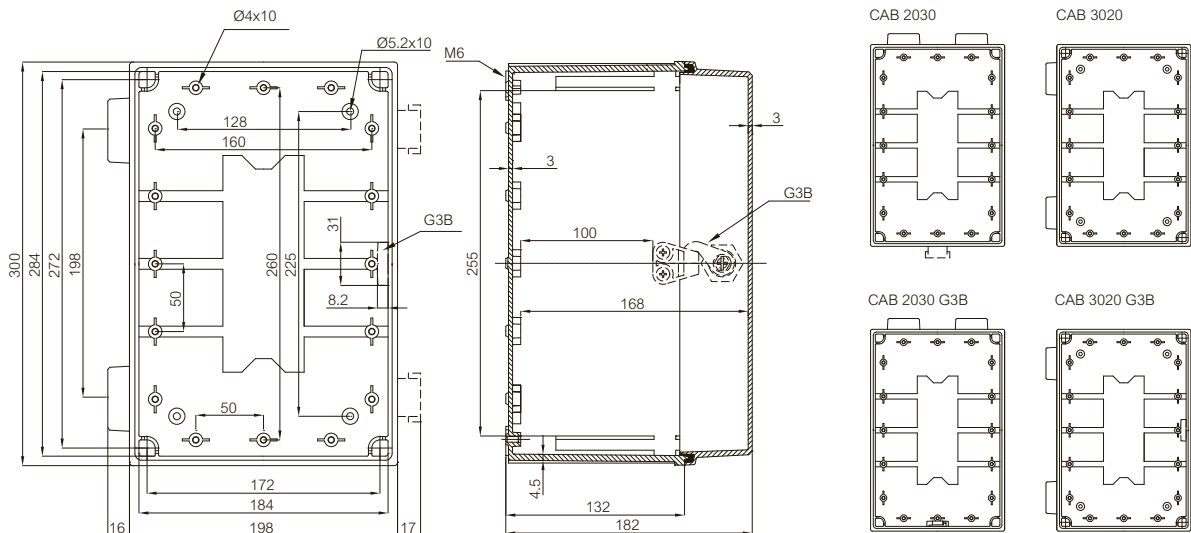
CAB PC/ABS 150x150x110



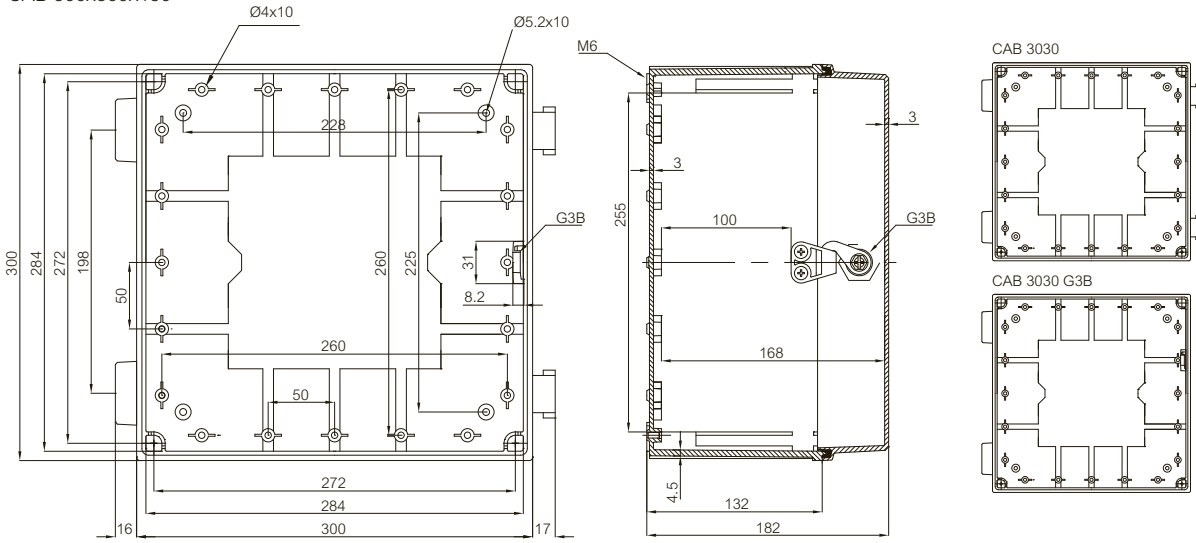
CAB 250x150x110



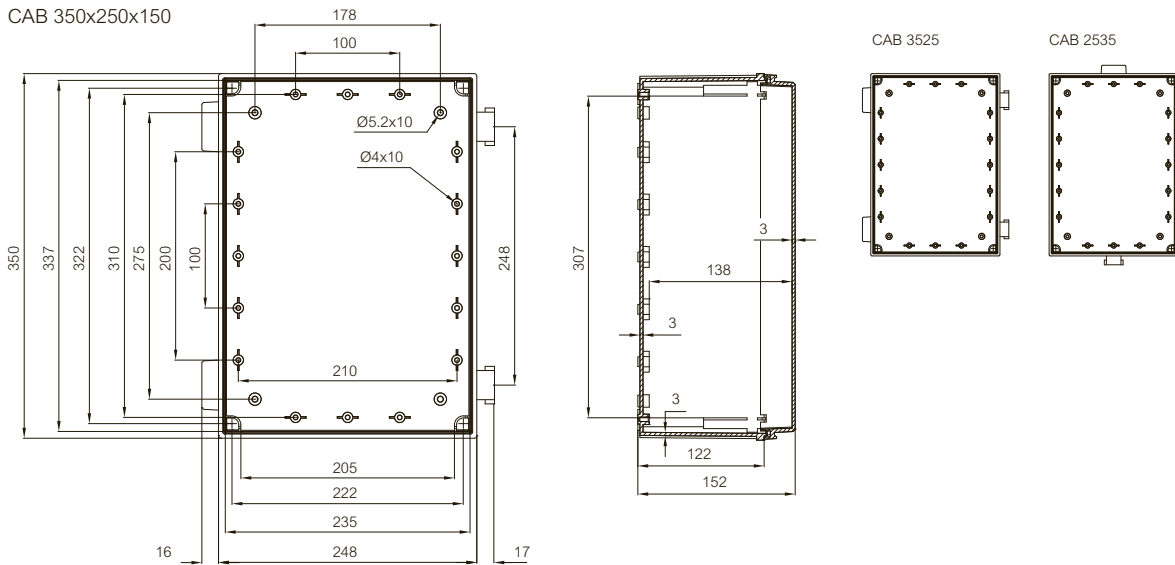
CAB 300x200x180



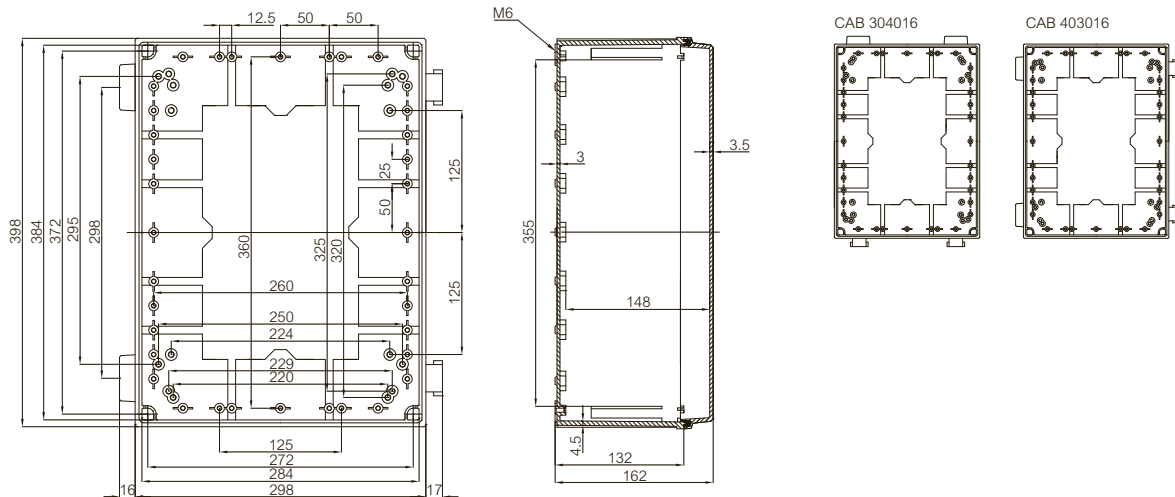
CAB 300x300x180



CAB 350x250x150

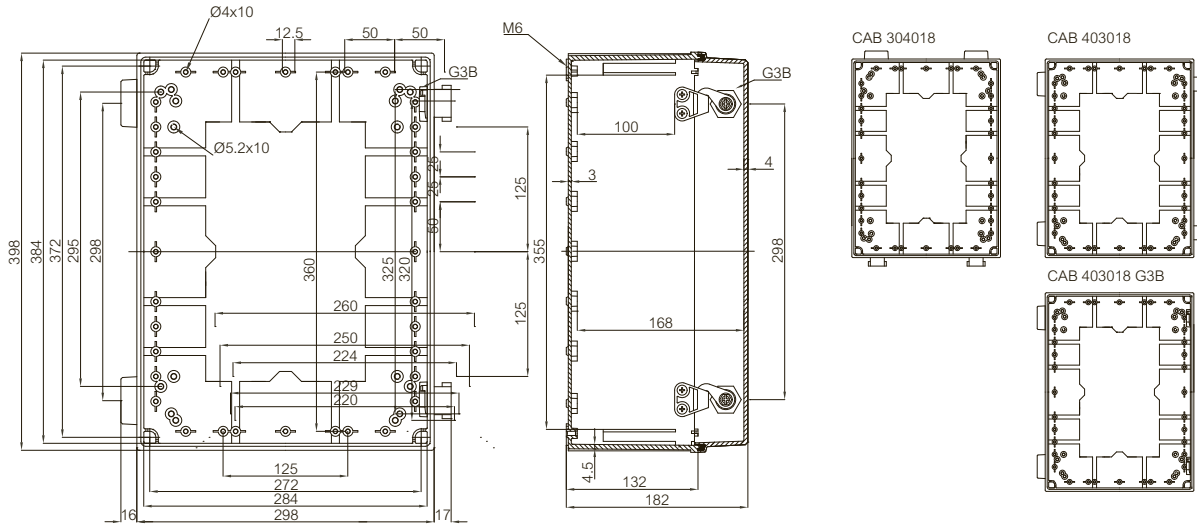


CAB 400x300x160

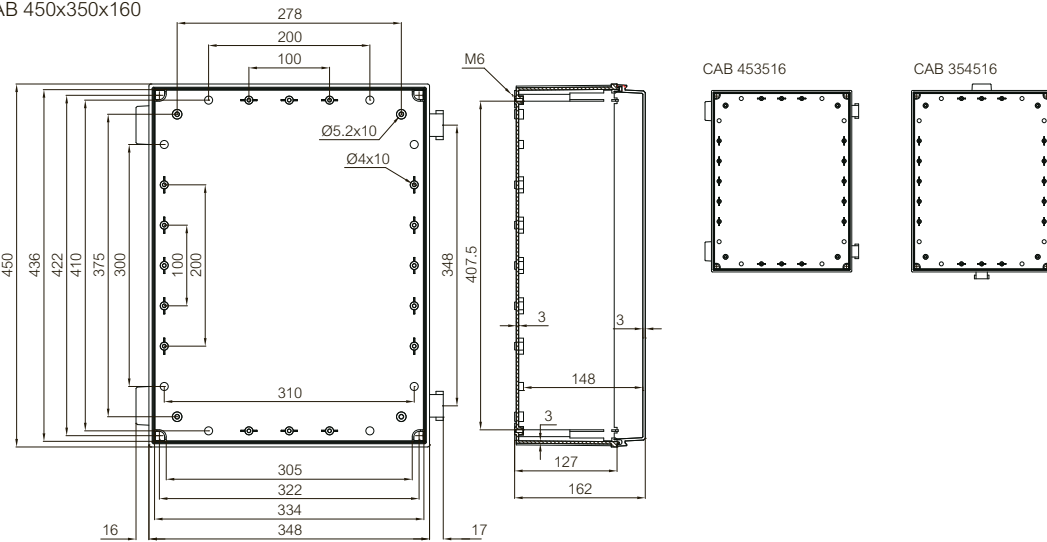


Dimensional drawings

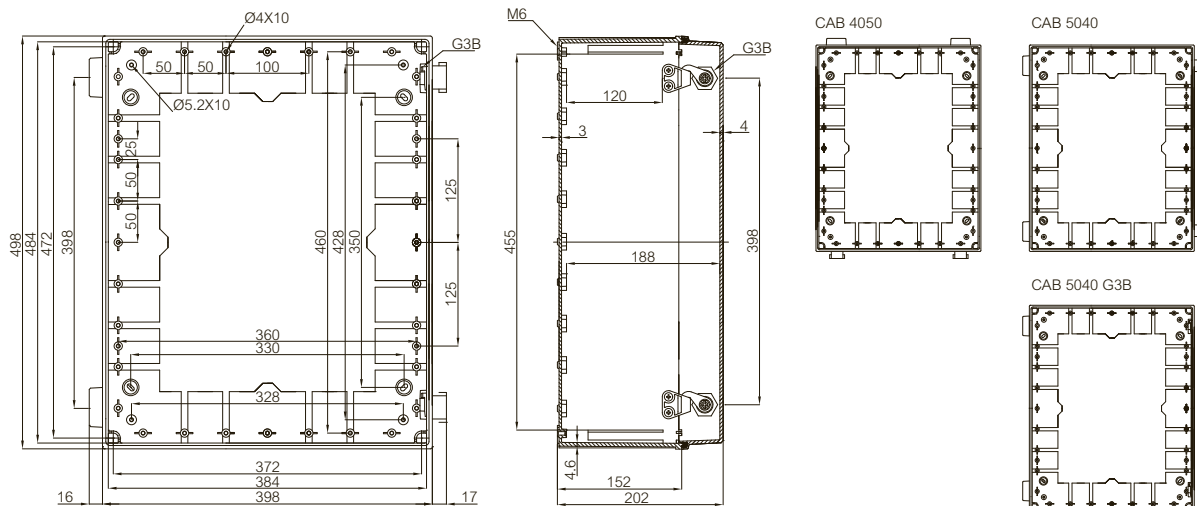
CAB 400x300x180



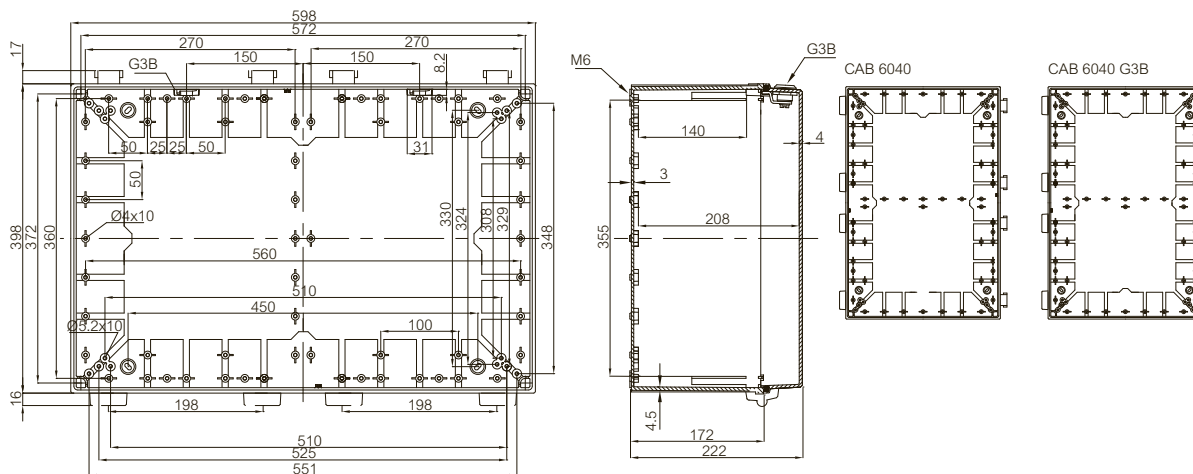
CAB 450x350x160



CAB 500x400x200



CAB 600x400x220



FIBOX – Solutions for demanding environments

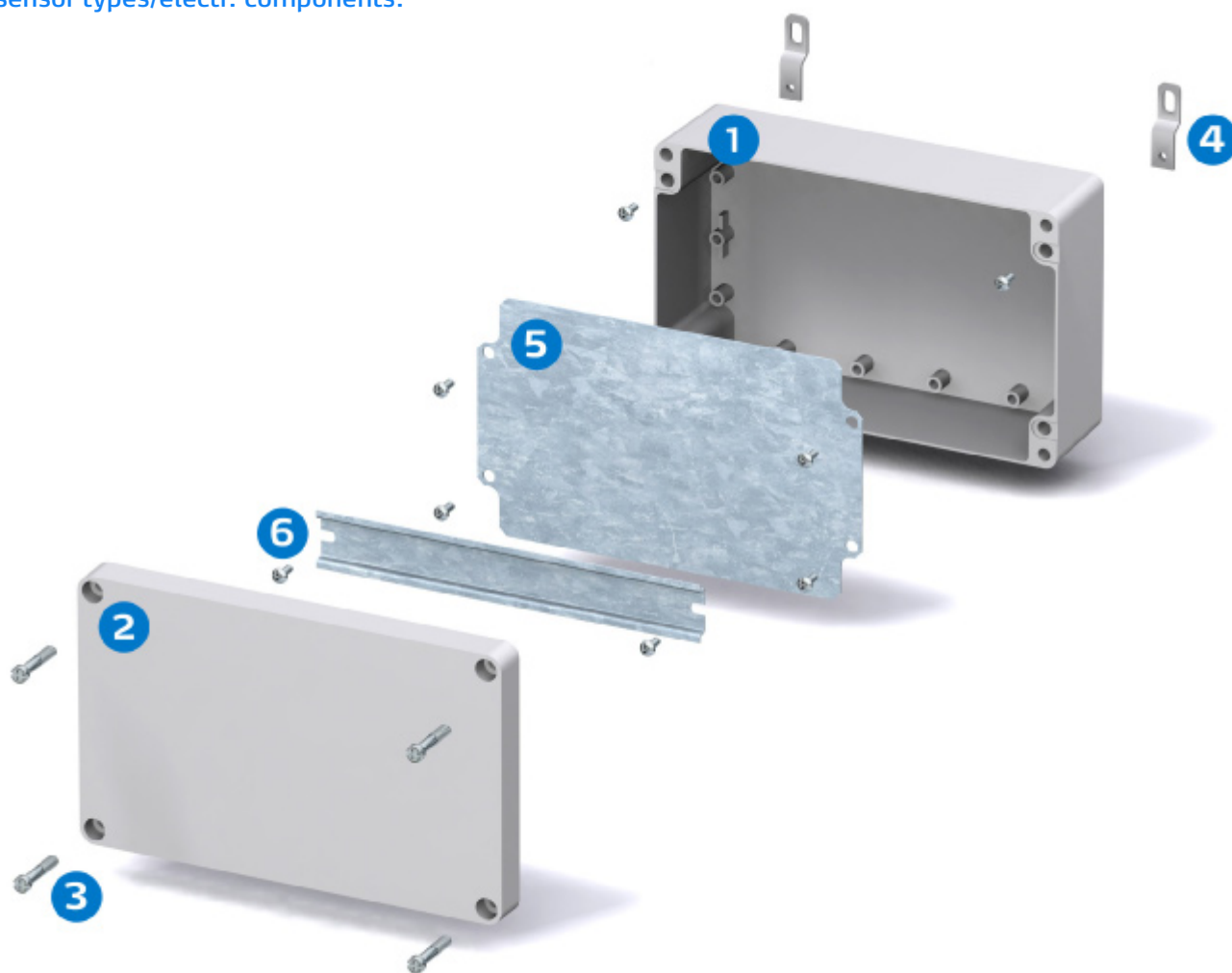




Lightweight, yet offering the extensive protection from aluminium construction

Our ALU enclosures can be mounted almost anywhere, so it's just as well they withstand so much! Knocks, bangs, chemicals, temperatures that swing from tropical to frozen, or where EMC protection is an issue – ALU beats the competition in guarding against it all.

Designed to mount terminal blocks, ideal for housing and protecting different sensor types/electr. components.



Enclosure

- 1 Base
- 2 Cover, grey
- 3 Cover screws, various versions

Accessories

- 4 Fastening lugs, 4 pcs. incl. screws
- 5 Mounting plate, electro-galvanised steel, stable and impact-resistant
- 6 DIN rail with mounting screws different sizes TS 15 / TS 35

ALU

Including: Base with screws for mounting plate/DIN-rail, cover with PUR gasket and ferritic stainless steel cover screws.

AL: IP66/IP67, IK08

ALN: IP66/IP67/IP68, IK08

Dimensions	Order Symbol	Code	EAN Code	Description
50x45x32 mm				
	AL 050503	7011020	 6 418074 004079	Enclosure, aluminium
66x60x46 mm				
	ALN 060605	7811060	 6 418074 016034	Enclosure, aluminium
100x66x46 mm				
	ALN 061005	7811080	 6 418074 016041	Enclosure, aluminium
152x66x46 mm				
	AL 061505	7011100	 6 418074 004109	Enclosure, aluminium

Including: Base with screws for mounting plate/DIN-rail, cover with PUR gasket and ferritic stainless steel cover screws.

AL: IP66/IP67, IK08
ALN: IP66/IP67/IP68, IK08

Dimensions	Order Symbol	Code	EAN Code	Description
82x77x57 mm				
	ALN 080806	7811130	 6 418074 016065	Enclosure, aluminium
127x81x57 mm				
	ALN 081306	7811150	 6 418074 016072	Enclosure, aluminium
177x81x57 mm				
	ALN 081806	7811170	 6 418074 016089	Enclosure, aluminium
252x81x57 mm				
	ALN 082506	7811190	 6 418074 016096	Enclosure, aluminium

ALU

Including: Base with screws for mounting plate/DIN-rail, cover with PUR gasket and ferritic stainless steel cover screws.

AL: IP66/IP67, IK08

ALN: IP66/IP67/IP68, IK08

Dimensions	Order Symbol	Code	EAN Code	Description
125x124x81 mm				
	ALN 121208	7811210	 6 418074 016102	Enclosure, aluminium
222x125x81 mm				
	ALN 122208	7811230	 6 418074 016119	Enclosure, aluminium
362x125x81 mm				
	ALN 123608	7811250	 6 418074 011404	Enclosure, aluminium
163x162x91 mm				
	ALN 161609	7811270	 6 418074 016126	Enclosure, aluminium

Including: Base with screws for mounting plate/DIN-rail, cover with PUR gasket and ferritic stainless steel cover screws.

AL: IP66/IP67, IK08
ALN: IP66/IP67/IP68, IK08

Dimensions	Order Symbol	Code	EAN Code	Description
263x162x91 mm				
	ALN 162609	7811290	 6 418074 016133	Enclosure, aluminium
360x160x90 mm				
	ALN 163609	7811310	 6 418074 016140	Enclosure, aluminium
560x160x90 mm				
	AL 165609	7011330	 6 418074 004215	Enclosure, aluminium
230x200x110 mm				
	ALN 232011	7811350	 6 418074 016164	Enclosure, aluminium

ALU

Including: Base with screws for mounting plate/DIN-rail, cover with PUR gasket and ferritic stainless steel cover screws.

AL: IP66/IP67, IK08

ALN: IP66/IP67/IP68, IK08

Dimensions	Order Symbol	Code	EAN Code	Description
230x200x180 mm				
	AL 232018	7011360	 6 418074 004239	Enclosure, aluminium
280x230x110 mm				
	ALN 232811	7811370	 6 418074 016188	Enclosure, aluminium
330x230x110 mm				
	ALN 233311	7811380	 6 418074 016195	Enclosure, aluminium
330x230x180 mm				
	ALN 233318	7811390	 6 418074 016201	Enclosure, aluminium

Including: Base with screws for mounting plate/DIN-rail, cover with PUR gasket and ferritic stainless steel cover screws.

AL: IP66/IP67, IK08
ALN: IP66/IP67/IP68, IK08

Dimensions	Order Symbol	Code	EAN Code	Description
401x230x110 mm				
	AL 234011	7011400	 6 418074 004277	Enclosure, aluminium
401x230x180 mm				
	ALN 234018	7811410	 6 418074 016225	Enclosure, aluminium
600x230x110 mm				
	AL 236011	7011420	 6 418074 004284	Enclosure, aluminium
403x310x110 mm				
	AL 314011	7011450	 6 418074 004291	Enclosure, aluminium

ALU

Including: Base with screws for mounting plate/DIN-rail, cover with PUR gasket and ferritic stainless steel cover screws.

AL: IP66/IP67, IK08

ALN: IP66/IP67/IP68, IK08

Dimensions	Order Symbol	Code	EAN Code	Description
403x310x180 mm				
	ALN 314018	7811460	 6 418074 016256	Enclosure, aluminium
600x310x110 mm				
	ALN 316011	7811470	 6 418074 010834	Enclosure, aluminium
600x310x180 mm				
	ALN 316018	7811480	 6 418074 016263	Enclosure, aluminium

ALU technical information		Confirmity to standards
Property	Aluminium	
Ingress Protection (EN 60529)	IP66/IP67/IP68	USA Enclosures for Electrical Equipment UL Type 1, 4, 4X, 12 or 13; UL File E75645 Vol 1 Sec 6* Canada Industrial Control Equipment Enclosures for Electrical Equipment/ULc* Europe Empty enclosures for low-voltage switchgear and controlgear assemblies EN 62208:2003 Europe Safety of Information Technology Equipment EN 60950 RoHS directive 2002/95/EC *UL label on request
Impact Resistance (EN 62262)	IK 08	
Température Range Celsius (short term) Fahrenheit	-40...120° C -40...250° F	
Température Range Celsius (continuous) Fahrenheit	-40...80° C -40...175° F	
Polyester powder paint colour	RAL 7001	
Cover Screws (0505 - 1626)	Ferritic Stainless Steel	
Cover Screws (1636 - 3160)	Stainless steel	
Gasket	PUR	
Chemical Resistance **	Good	

Data subject to change without notice.




**Consult separate raw material data for more detailed information



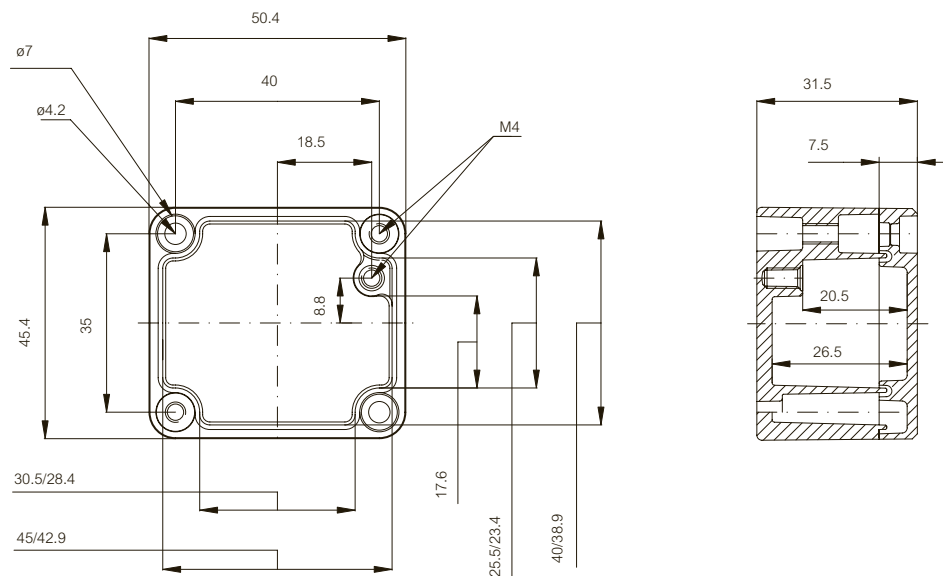
	Order symbol	Code	Dimensions	EAN code	Description
Mounting plates (Galvanized steel, sheet thickness 1,5 mm)					
	AM 0808	9823015	64x69	 6 418074 033796	Mounting plate, for enclosures: 82x77x57, 252x81x57
	AM 0813	9511043	114x69	 6 418074 033802	Mounting plate, for enclosures: 127x81x57, 252x81x57
	AM 0818	9823017	164x69	 6 418074 033819	Mounting plate, for enclosures: 177x81x57, 252x81x57
	AM 0825	9511007	240x69	 6 418074 033826	Mounting plate, for enclosures: 252x81x57
	AM 1212	9511150	110x107	 6 418074 033833	Mounting plate, for enclosures: 125x124x81, 362x125x81
	AM 1222	9511095	207x107	 6 418074 033840	Mounting plate, for enclosures: 222x125x81, 362x125x81
	AM 1236	9511174	347x107	 6 418074 033857	Mounting plate, for enclosures: 362x125x81
	AM 1616	9511149	146x146	 6 418074 033864	Mounting plate, for enclosures: 163x162x91
	AM 1626	9511096	244x146	 6 418074 033871	Mounting plate, for enclosures: 263x162x91
	AM 1636	9511175	346x146	 6 418074 033888	Mounting plate, for enclosures: 360x160x90
	AM 1656	9511014	545x146	 6 418074 033895	Mounting plate, for enclosures: 560x160x90
	AM 2320	9511015	184x215	 6 418074 033901	Mounting plate, for enclosures: 230x200x110, 230x200x180
	AM 2328	9511016	264x215	 6 418074 033918	Mounting plate, for enclosures: 280x230x110
	AM 2333	9511017	315x215	 6 418074 033925	Mounting plate, for enclosures: 330x230x110, 330x230x180
	AM 2340	9511018	385x215	 6 418074 033932	Mounting plate, for enclosures: 401x230x110, 401x230x180

	Order symbol	Code	Dimensions	EAN code	Description
	AM 2360	9511019	586x215	 6 418074 033949	Mounting plate, for enclosures: 600x230x110
	AM 3140	9511020	387x294	 6 418074 033956	Mounting plate, for enclosures: 403x310x110, 403x310x180
	AM 3160	9511021	585x293	 6 418074 033963	Mounting plate, for enclosures: 600x310x110, 600x310x180
DIN-15 Mounting rails (Galvanized steel, rail height 5,0 mm)					
	ARM 0808	9820002	65x15	 6 418074 034205	DIN-15 Mounting rail, for enclosures: 82x77x57
	ARM 0610	9820005	88x15	 6 418074 034182	DIN-15 Mounting rail, for enclosures: 100x66x46
	ARM 0813	9820010	115x15	 6 418074 034212	DIN-15 Mounting rail, for enclosures: 127x81x57
	ARM 0615	9820011	140x15	 6 418074 034199	DIN-15 Mounting rail, for enclosures: 152x66x46
	ARM 0818	9820014	165x15	 6 418074 034229	DIN-15 Mounting rail, for enclosures: 177x81x57
	ARM 0825	9820019	240x15	 6 418074 034236	DIN-15 Mounting rail, for enclosures: 252x81x57
DIN-35 Mounting rails (Galvanized steel, rail height 7,5 mm)					
	ARH 12	9822001	105x35	 6 418074 034274	DIN-35 Mounting rail, for enclosures: 125x124x81, 362x125x81
	ARH 16	9822003	140x35	 6 418074 034281	DIN-35 Mounting rail, for enclosures: 163x162x91
	ARH 2320	9822005	180x35	 6 418074 034366	DIN-35 Mounting rail, for enclosures: 230x200x110, 230x200x180
	ARH 22	9822007	203x35	 6 418074 034298	DIN-35 Mounting rail, for enclosures: 222x125x81
	ARH 26	9822011	240x35	 6 418074 034304	DIN-35 Mounting rail, for enclosures: 252x81x57, 263x162x91

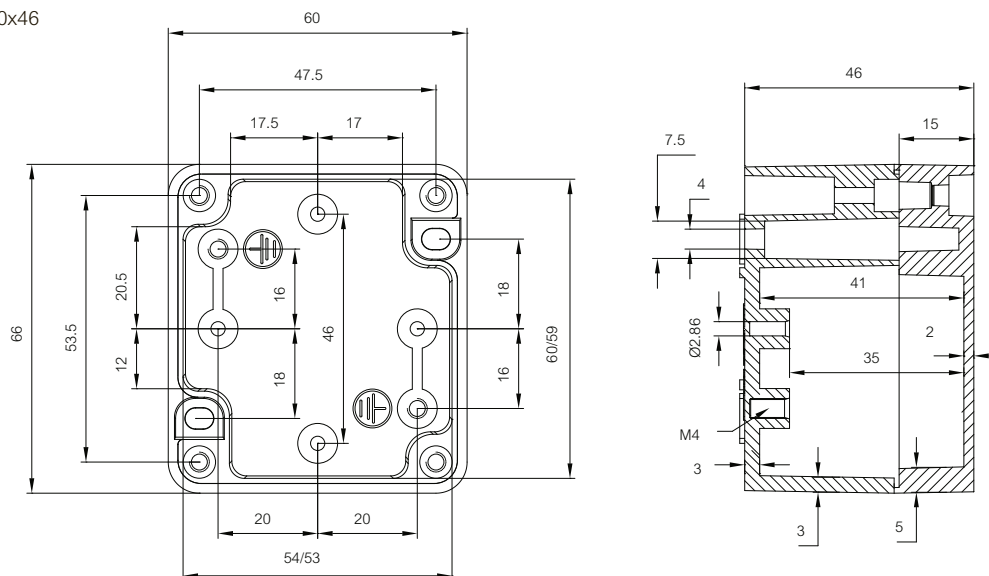
	Order symbol	Code	Dimensions	EAN code	Description
	ARH 2328	9822012	260x35	 6 418074 034373	DIN-35 Mounting rail, for enclosures: 280x230x110
	ARH 2333	9822014	310x35	 6 418074 034380	DIN-35 Mounting rail, for enclosures: 330x230x110, 330x230x180
	ARH 1636	9822029	340x35	 6 418074 034342	DIN-35 Mounting rail, for enclosures: 360x160x90
	ARH 36	9822015	343x35	 6 418074 034311	DIN-35 Mounting rail, for enclosures: 362x125x81
	ARH 40	9822017	383x35	 6 418074 034328	DIN-35 Mounting rail, for enclosures: 401x230x110, 401x230x180, 403x310x110, 403x310x180
	ARH 1656	9822018	540x35	 6 418074 034359	DIN-35 Mounting rail, for enclosures: 560x160x90
	ARH 60	9822019	580x35	 6 418074 034335	DIN-35 Mounting rail, for enclosures: 600x230x110, 600x310x110, 600x310x180
Hinges and wall mounting					
	PH A & AH A/B	9801047		 6 418074 034090	Hinge set
	MRS 28545WH	7028545		 6 418074 035844	Wire hinge set one pair with screw, M6x30
	MRS 28540	7028540	42x11	 6 418074 033741	Wall fastening lug (2 pcs), for enclosures: 66x60x46-252x81x57, 80x75x55-190x75x55
	MRS 28541	7028541	50x15	 6 418074 033758	Wall fastening lug (2 pcs), for enclosures: 125x124x81-600x310x180, 122x120x90-406x401x120
Cover screws					
	MR 10425	7010425		 6 418074 035806	Cover screw M4x20
	MR 10635	7010635		 6 418074 035820	Cover screw M6x30

	Order symbol	Code	Dimensions	EAN code	Description
Mounting and earth screws					
	MR 28548ZN	7028548		 6 418074 036377	Mounting screw M4x6
	MR 28549ZN	7028549		 6 418074 036353	Mounting screw M6x8
	MR 75003	7075003		 6 418074 033765	Selftapping taptite screw M3, for enclosures: 66x60x45-252x81x57
	MR 75005	7075005		 6 418074 033772	Selftapping taptite screw M5, for enclosures: 125x124x81-360x160x90
	MR 28550	7028550		 6 418074 003904	Earth screw for AL 050503
	MR 28546CU	7010408		 6 418074 036230	Earth screw for small AL-enclosures up to 0825
	MR 28547CU	7010610		 6 418074 036360	Earth screw for big AL-enclosures from 1212
	MRS 28546	7028546		 6 418074 003911	Earth screw set (2 pcs)
	MRS 38546	7038546		 6 418074 036322	Screw set for small AL-enclosures up to 0825 incl. 2 earth and 4 mounting screws
	MRS 38547	7038547		 6 418074 036339	Screw set for big AL-enclosures from 1212 incl. 2 earth and 4 mounting screws

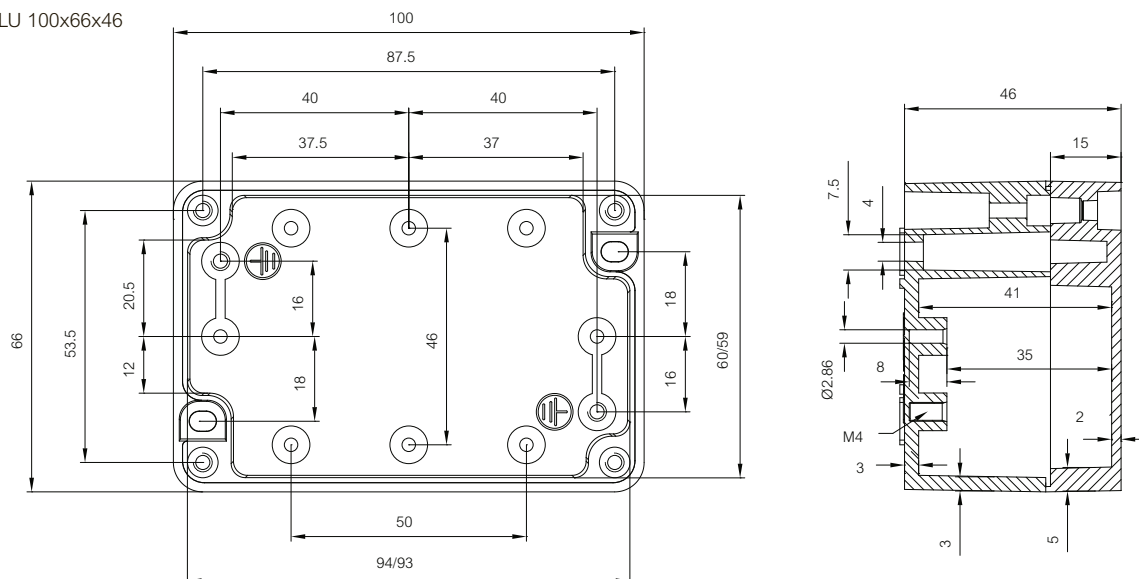
ALU 50x45x32



ALU 66x60x46

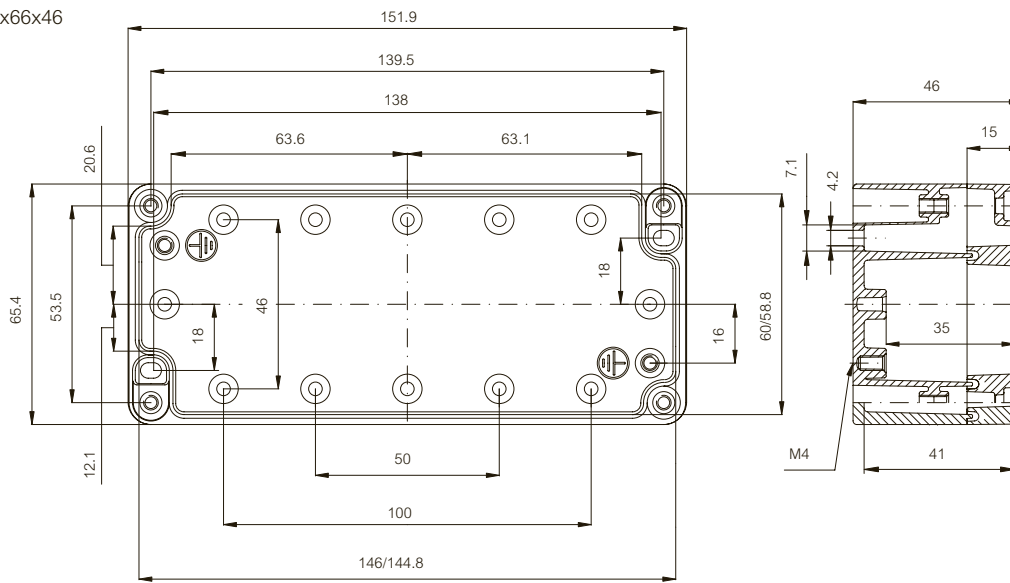


ALU 100x66x46

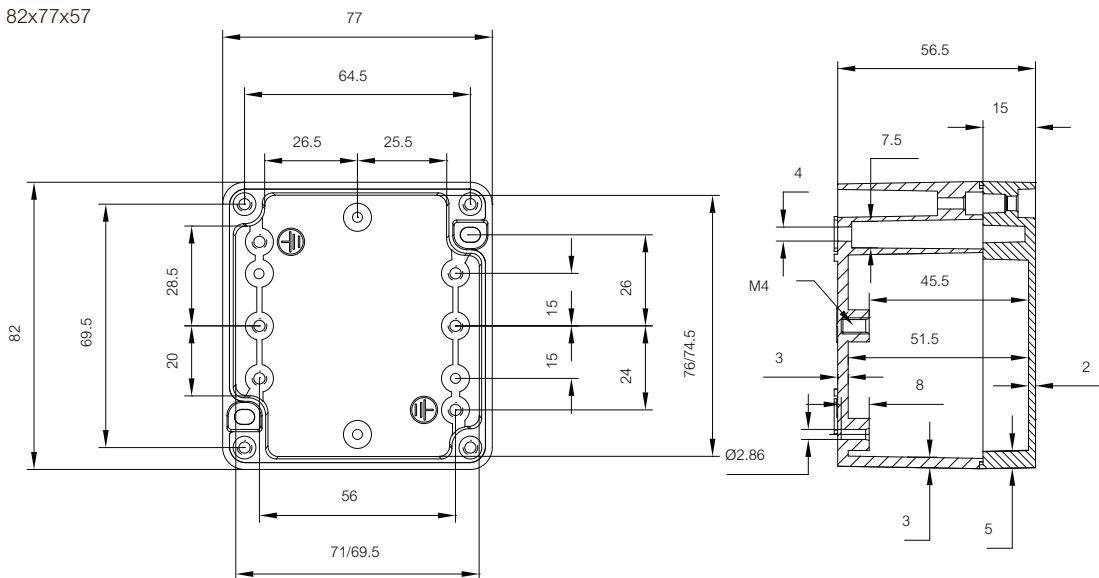


Dimensional drawings

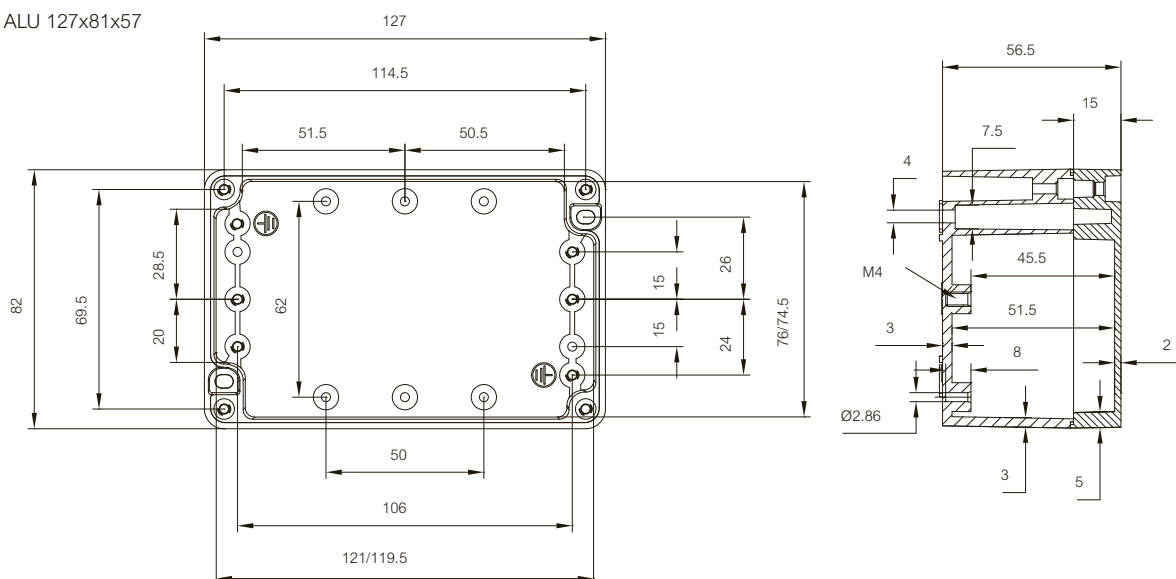
ALU 152x66x46



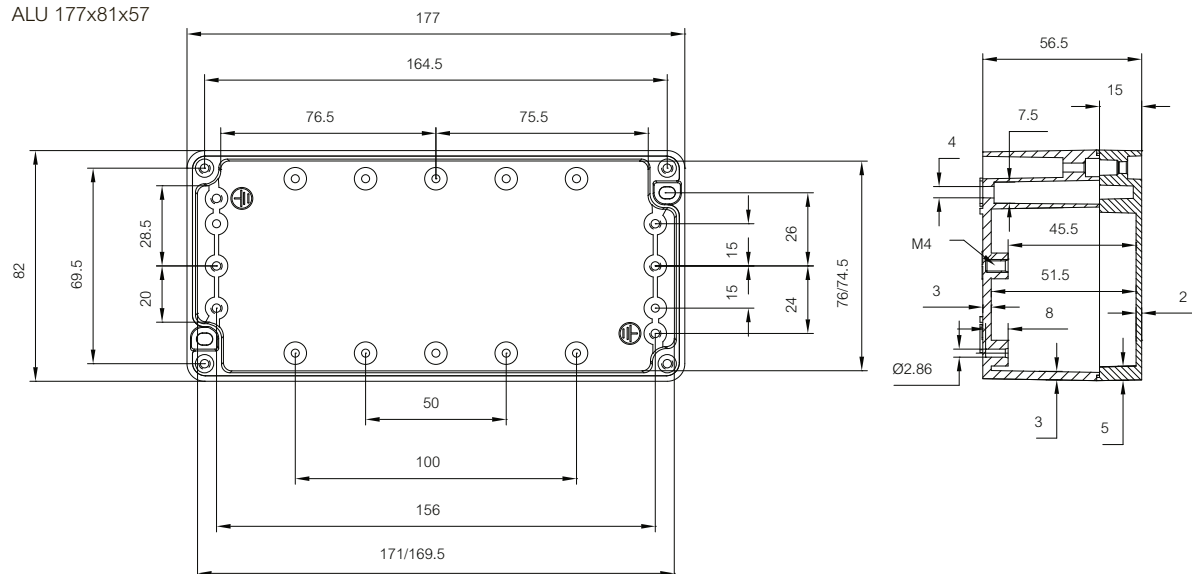
ALU 82x77x57



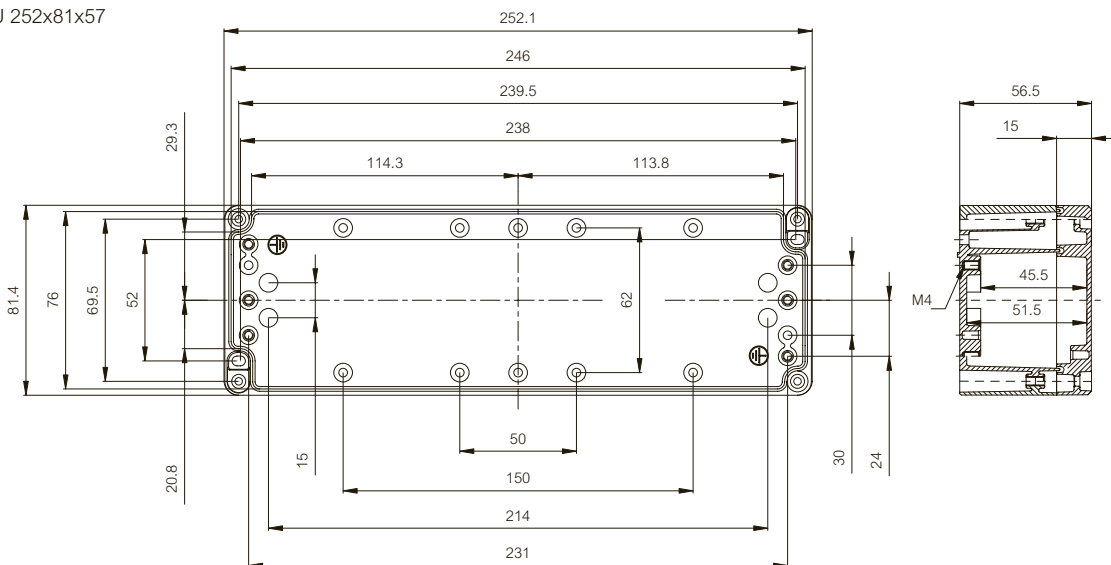
ALU 127x81x57



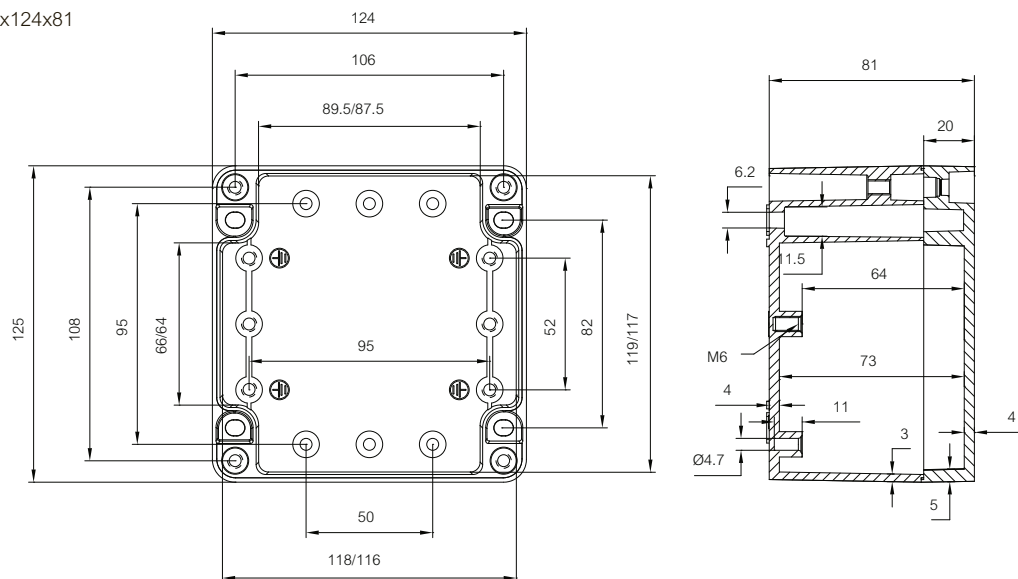
ALU 177x81x57



ALU 252x81x57

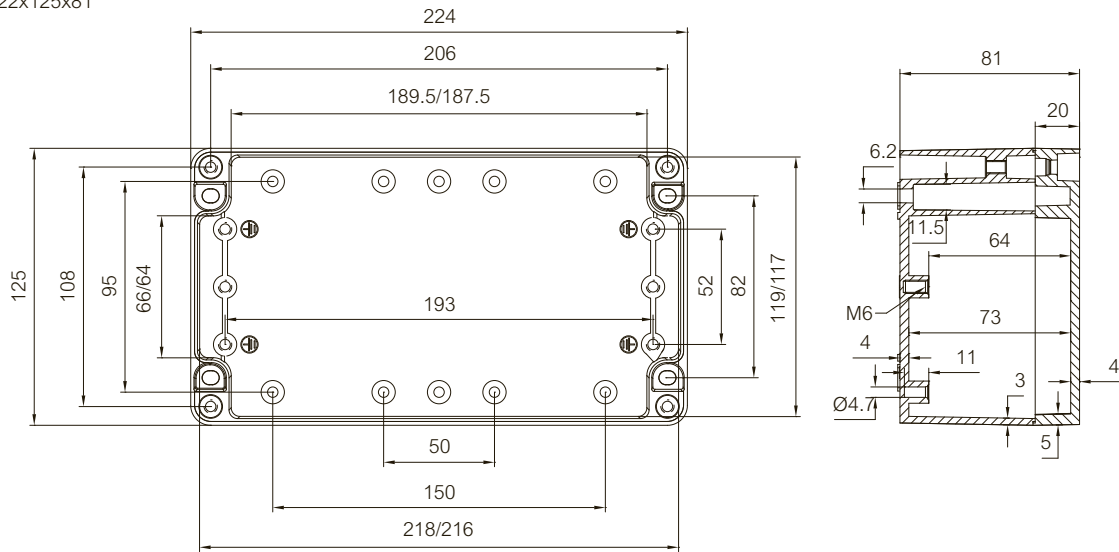


ALU 125x124x81

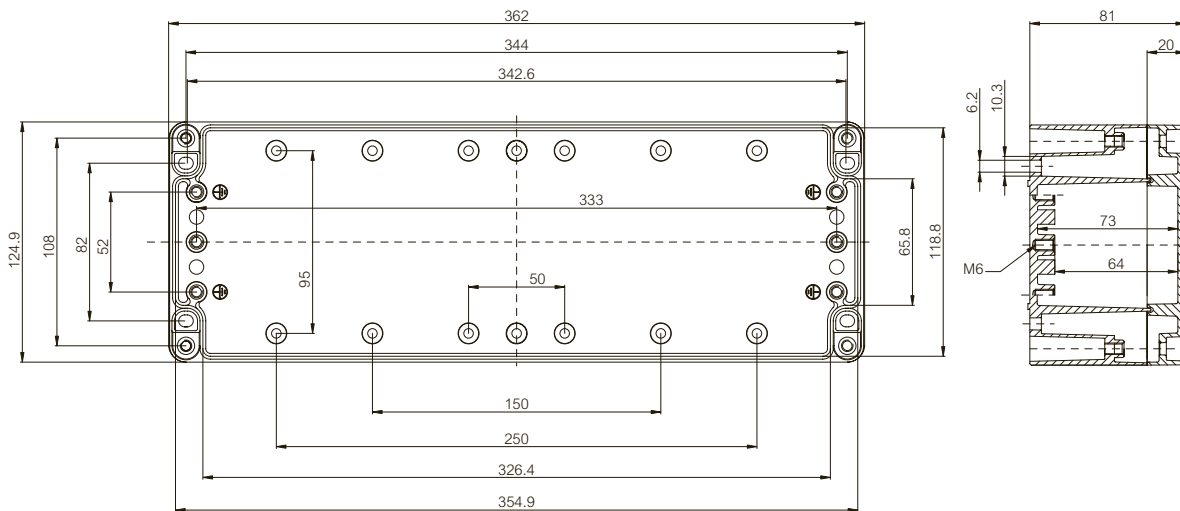


Dimensional drawings

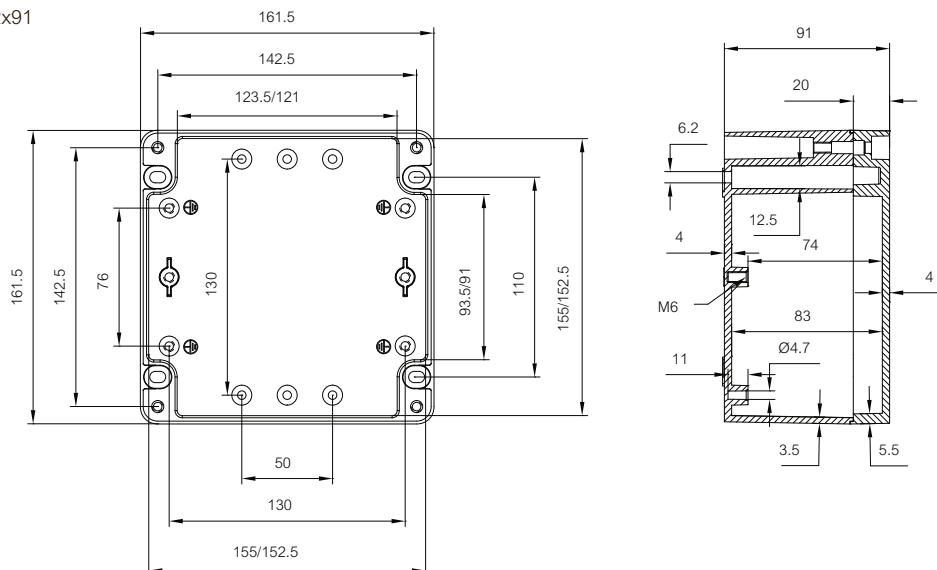
ALU 222x125x81



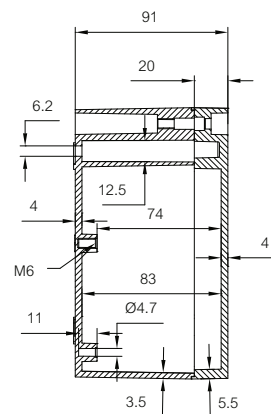
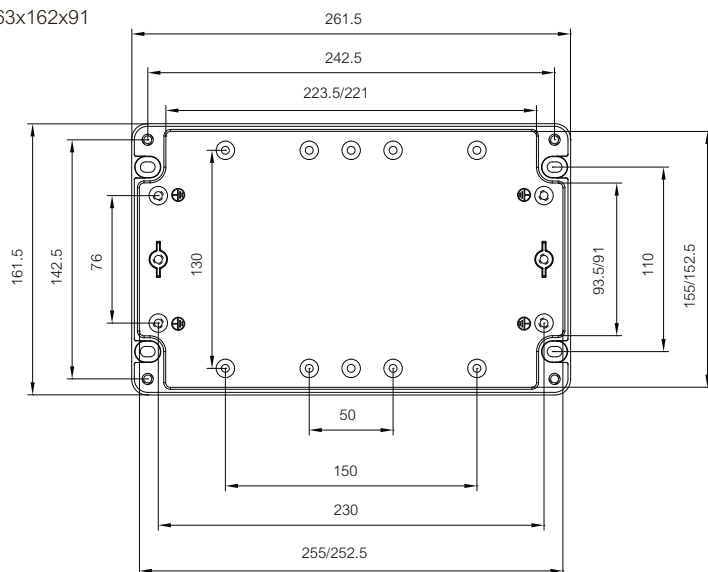
ALU 362x125x81



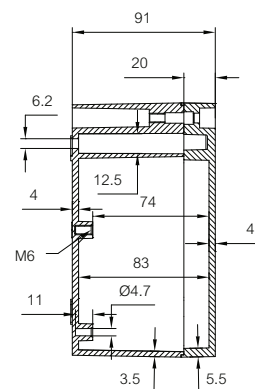
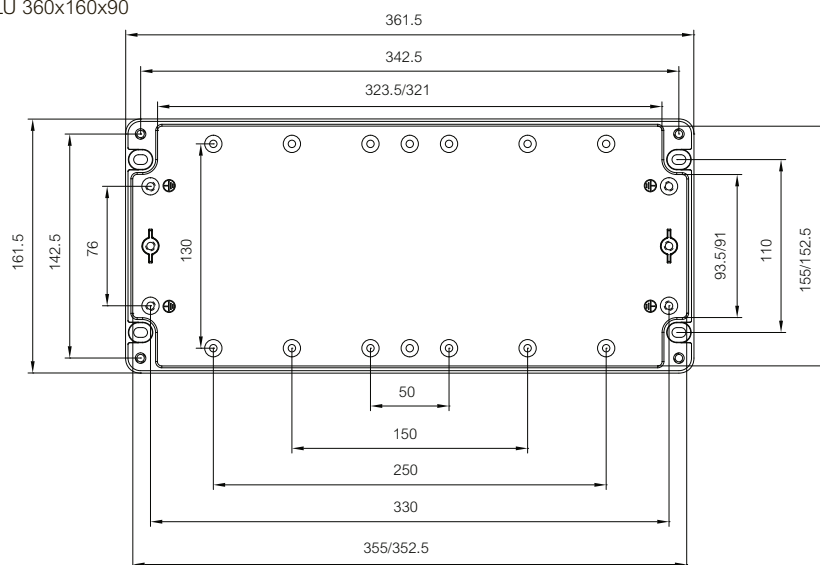
ALU 163x162x91



ALU 263x162x91

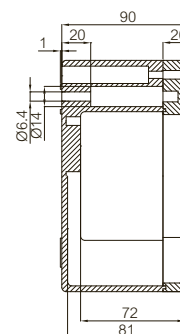
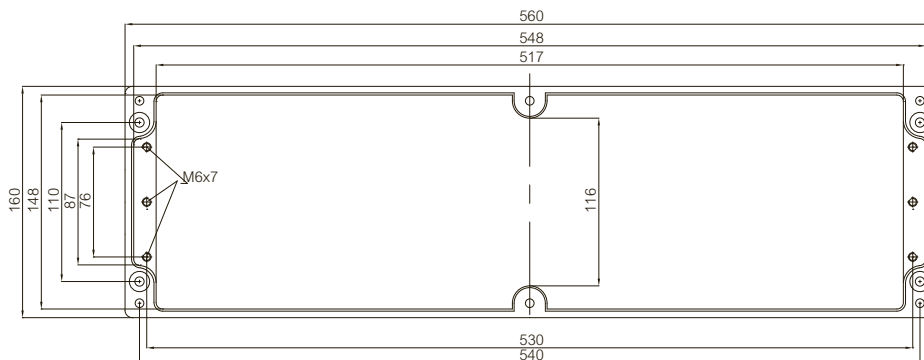


ALU 360x160x90



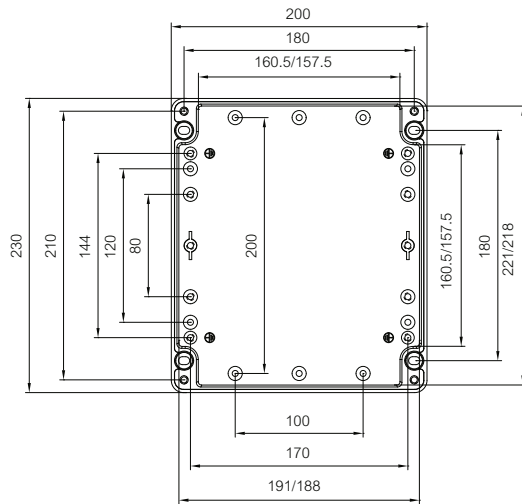
ALU 560x160x90

FIBOX Aluminium AL 165609

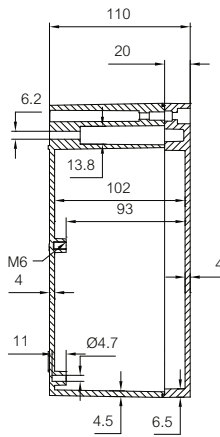


Dimensional drawings

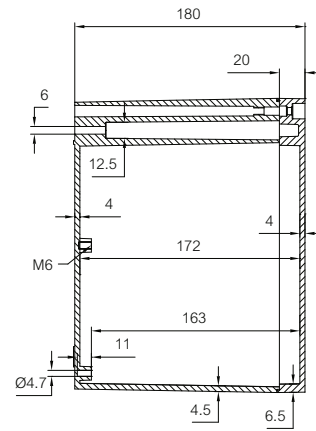
ALU 230x200x110-180



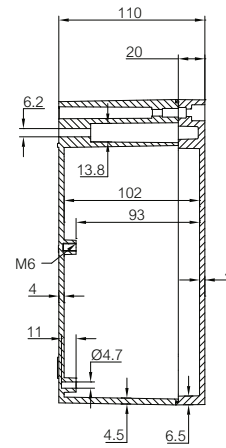
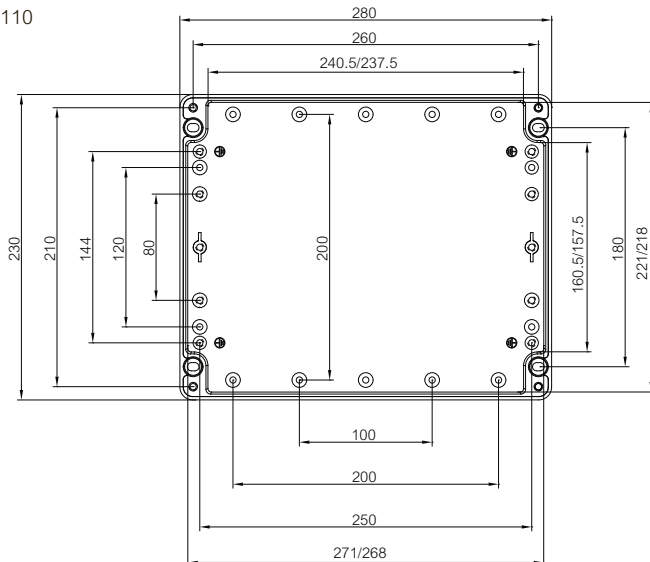
232011



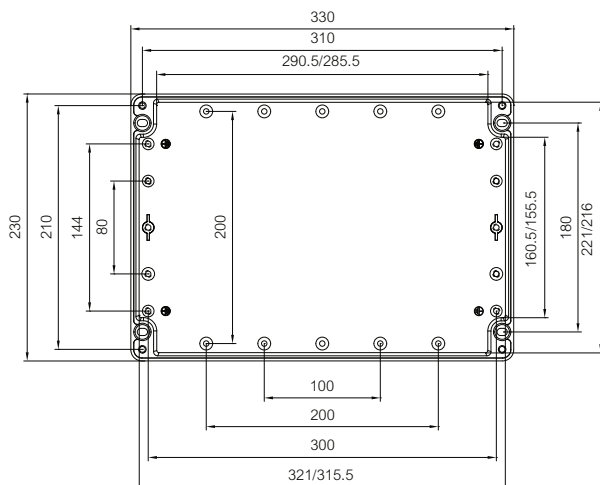
232018



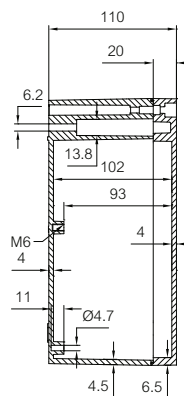
ALU 280x230x110



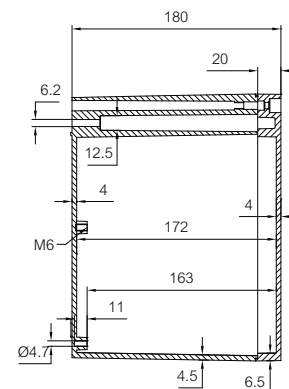
ALU 330x230x110-180



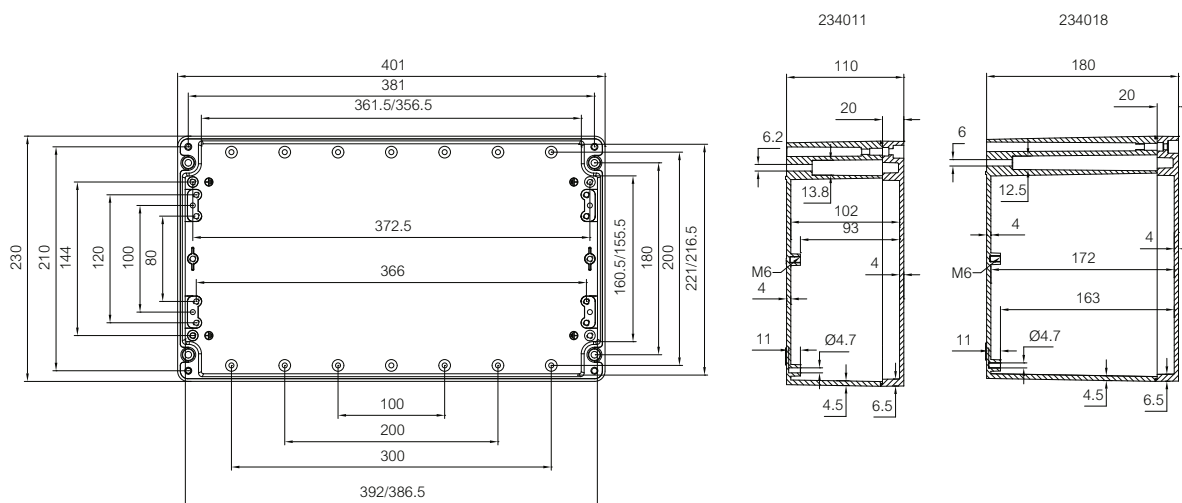
233311



233318

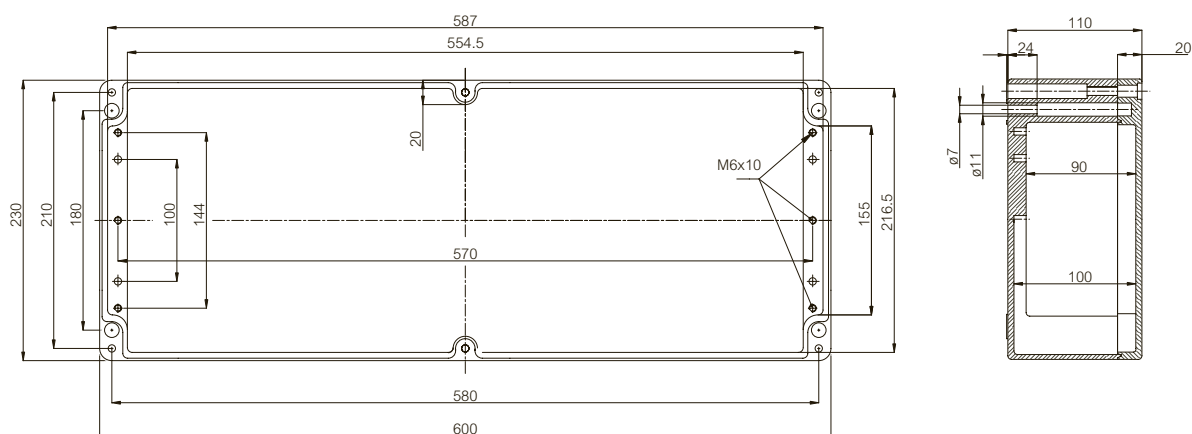


ALU 401x230x110-180

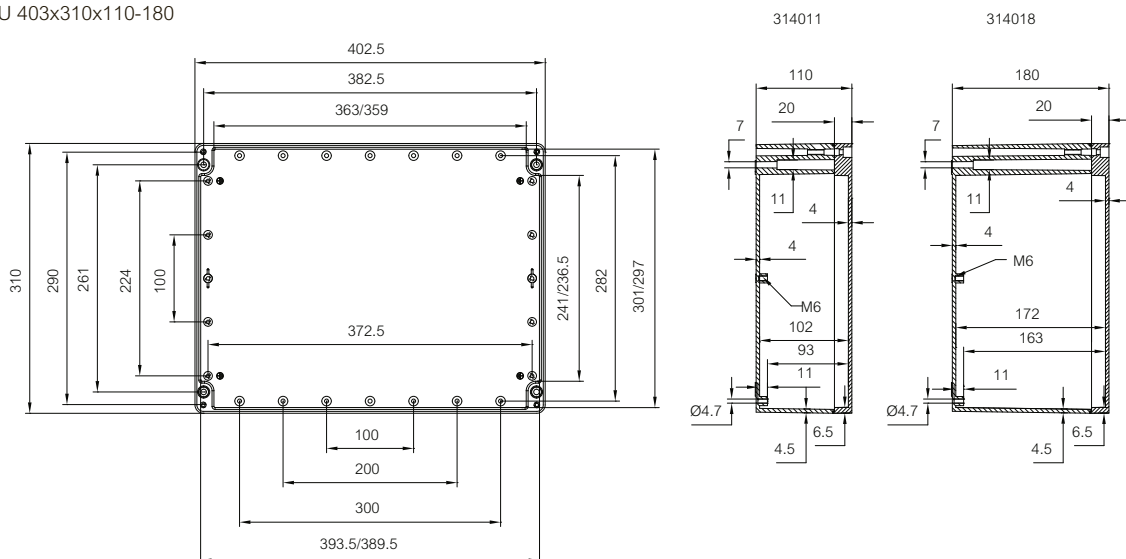


ALU 600x230x110

FIBOX ALUMINIUM AL 236011

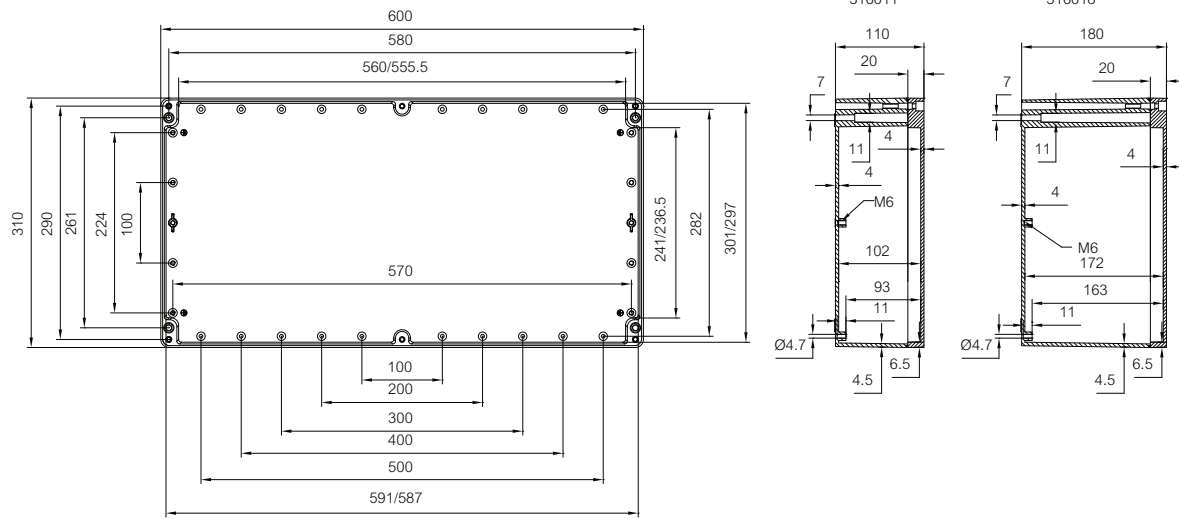


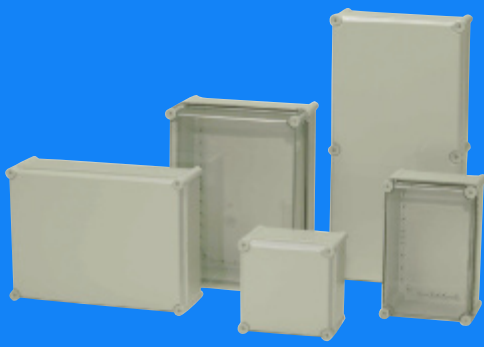
ALU 403x310x110-180



Dimensional drawings

ALU 600x310x110-180





Solid protection

Solid is the superb all-rounder, both in and out of doors. If you need general protection, in everyday environments, Solid may be the all-purpose solution you are seeking for electronic and electrical components.

The ideal alternative to polyester enclosures.
With hinged or screw cover/polycarbonate/ABS.



Enclosure

- 1 Base
- 2 Cover, grey or transparent
- 3 Cover screws, various versions

Accessories

- 4 Fastening lugs, 2 pcs. incl. screws
- 5 Mounting plate, electro-galvanised steel, stable and impact-resistant
- 6 DIN rail with mounting screws
- 7 Extension frame

SOLID

Including: Base with screws for mounting plate cover with PUR gasket and polyamide cover screws.

PC: IP66/IP67, IK09/IK08
ABS: IP66/IP67, IK08

Dimensions	Order Symbol	Code	EAN Code	Description
188x188x130 mm				
	PC 1919 13 G	5330359	 6 418074 005403	Enclosure, PC Grey cover
	PC 1919 13 G-2FSH	2539505	 6 418074 052704	Enclosure, PC Grey hinged cover
	PC 1919 13 T	5330059	 6 418074 005397	Enclosure, PC Transparent cover
	PC 1919 13 T-2FSH	2539535	 6 418074 052827	Enclosure, PC Transparent hinged cover
	ABS 1919 13 G	5880359	 6 418074 039002	Enclosure, ABS Grey cover
	ABS 1919 13 G-2FSH	9880401	 6 418074 053428	Enclosure, ABS Grey hinged cover
	ABS 1919 13 T	5880059	 6 418074 039125	Enclosure, ABS Transparent cover
	ABS 1919 13 T-2FSH	9880451	 6 418074 053541	Enclosure, ABS Transparent hinged cover
188x188x180 mm				
	PC 1919 18 G	5330369	 6 418074 005427	Enclosure, PC Grey cover
	PC 1919 18 G-2FSH	2539507	 6 418074 052766	Enclosure, PC Grey hinged cover
	PC 1919 18 T	5330069	 6 418074 005410	Enclosure, PC Transparent cover
	PC 1919 18 T-2FSH	2539537	 6 418074 052889	Enclosure, PC Transparent hinged cover
	ABS 1919 18 G	5880369	 6 418074 039019	Enclosure, ABS Grey cover
	ABS 1919 18 G-2FSH	9880405	 6 418074 053480	Enclosure, ABS Grey hinged cover

Dimensions	Order Symbol	Code	EAN Code	Description
	ABS 1919 18 T	5880069	 6 418074 039132	Enclosure, ABS Transparent cover
	ABS 1919 18 T-2FSH	9880455	 6 418074 061003	Enclosure, ABS Transparent hinged cover
278x188x130 mm				
	PC 2819 13 G	5330360	 6 418074 005441	Enclosure, PC Grey cover
	PC 2819 13 G-2FSH	2539509	 6 418074 052711	Enclosure, PC Grey hinged cover
	PC 2819 13 T	5330060	 6 418074 005434	Enclosure, PC Transparent cover
	PC 2819 13 T-2FSH	2539539	 6 418074 052834	Enclosure, PC Transparent hinged cover
	ABS 2819 13 G	5880360	 6 418074 039026	Enclosure, ABS Grey cover
	ABS 2819 13 G-2FSH	9996267	 6 418074 053435	Enclosure, ABS Grey hinged cover
	ABS 2819 13 T	5880060	 6 418074 039149	Enclosure, ABS Transparent cover
	ABS 2819 13 T-2FSH	9880459	 6 418074 053558	Enclosure, ABS Transparent hinged cover

SOLID

Including: Base with screws for mounting plate cover with PUR gasket and polyamide cover screws.

PC: IP66/IP67, IK09/IK08
ABS: IP66/IP67, IK08

Dimensions	Order Symbol	Code	EAN Code	Description
278x188x180 mm				
	PC 2819 18 G	5330370	 6 418074 005465	Enclosure, PC Grey cover
	PC 2819 18 G-2FSH	2539511	 6 418074 052773	Enclosure, PC Grey hinged cover
	PC 2819 18 T	5330070	 6 418074 005458	Enclosure, PC Transparent cover
	PC 2819 18 T-2FSH	2539541	 6 418074 052896	Enclosure, PC Transparent hinged cover
	ABS 2819 18 G	5880370	 6 418074 039033	Enclosure, ABS Grey cover
	ABS 2819 18 G-2FSH	9996268	 6 418074 053497	Enclosure, ABS Grey hinged cover
	ABS 2819 18 T	5880070	 6 418074 039156	Enclosure, ABS Transparent cover
	ABS 2819 18 T-2FSH	9880463	 6 418074 061010	Enclosure, ABS Transparent hinged cover
378x188x130 mm				
	PC 3819 13 G	5330361	 6 418074 005489	Enclosure, PC Grey cover
	PC 3819 13 G-2FSH	2539513	 6 418074 052735	Enclosure, PC Grey hinged cover
	PC 3819 13 T	5330061	 6 418074 005472	Enclosure, PC Transparent cover
	PC 3819 13 T-2FSH	2539543	 6 418074 052858	Enclosure, PC Transparent hinged cover
	ABS 3819 13 G	5880361	 6 418074 039040	Enclosure, ABS Grey cover
	ABS 3819 13 G-2FSH	9880425	 6 418074 053442	Enclosure, ABS Grey hinged cover
	ABS 3819 13 T	5880061	 6 418074 039163	Enclosure, ABS Transparent cover

Dimensions	Order Symbol	Code	EAN Code	Description
	ABS 3819 13 T-2FSH	9880475	 6 418074 053565	Enclosure, ABS Transparent hinged cover
378x188x180 mm				
	PC 3819 18 G	5330371	 6 418074 005502	Enclosure, PC Grey cover
	PC 3819 18 G-2FSH	2539515	 6 418074 052797	Enclosure, PC Grey hinged cover
	PC 3819 18 T	5330071	 6 418074 005496	Enclosure, PC Transparent cover
	PC 3819 18 T-2FSH	2539545	 6 418074 052919	Enclosure, PC Transparent hinged cover
	ABS 3819 18 G	5880371	 6 418074 039057	Enclosure, ABS Grey cover
	ABS 3819 18 G-2FSH	9880429	 6 418074 053503	Enclosure, ABS Grey hinged cover
	ABS 3819 18 T	5880071	 6 418074 039170	Enclosure, ABS Transparent cover
	ABS 3819 18 T-2FSH	9880479	 6 418074 061027	Enclosure, ABS Transparent hinged cover
278x278x130 mm				
	PC 2828 13 G	5330362	 6 418074 005526	Enclosure, PC Grey cover
	PC 2828 13 G-2FSH	2539517	 6 418074 052728	Enclosure, PC Grey hinged cover
	PC 2828 13 T	5330062	 6 418074 005519	Enclosure, PC Transparent cover
	PC 2828 13 T-2FSH	2539547	 6 418074 052841	Enclosure, PC Transparent hinged cover
	ABS 2828 13 G	5880362	 6 418074 039064	Enclosure, ABS Grey cover
	ABS 2828 13 G-2FSH	9880417	 6 418074 053459	Enclosure, ABS Grey hinged cover

SOLID

Including: Base with screws for mounting plate cover with PUR gasket and polyamide cover screws.

PC: IP66/IP67, IK09/IK08
ABS: IP66/IP67, IK08

Dimensions	Order Symbol	Code	EAN Code	Description
	ABS 2828 13 T	5880062	 6 418074 039187	Enclosure, ABS Transparent cover
	ABS 2828 13 T-2FSH	9880467	 6 418074 060976	Enclosure, ABS Transparent hinged cover
278x278x180 mm				
	PC 2828 18 G	5330372	 6 418074 005540	Enclosure, PC Grey cover
	PC 2828 18 G-2FSH	2539519	 6 418074 052780	Enclosure, PC Grey hinged cover
	PC 2828 18 T	5330072	 6 418074 005533	Enclosure, PC Transparent cover
	PC 2828 18 T-2FSH	2539549	 6 418074 052902	Enclosure, PC Transparent hinged cover
	ABS 2828 18 G	5880372	 6 418074 039071	Enclosure, ABS Grey cover
	ABS 2828 18 G-2FSH	9880421	 6 418074 053510	Enclosure, ABS Grey hinged cover
	ABS 2828 18 T	5880072	 6 418074 039194	Enclosure, ABS Transparent cover
	ABS 2828 18 T-2FSH	9880471	 6 418074 061034	Enclosure, ABS Transparent hinged cover
378x278x130 mm				
	PC 3828 13 G	5330363	 6 418074 005564	Enclosure, PC Grey cover
	PC 3828 13 G-2FSH	2539521	 6 418074 052742	Enclosure, PC Grey hinged cover
	PC 3828 13 T	5330063	 6 418074 005557	Enclosure, PC Transparent cover
	PC 3828 13 T-2FSH	2539551	 6 418074 052865	Enclosure, PC Transparent hinged cover
	ABS 3828 13 G	5880363	 6 418074 039088	Enclosure, ABS Grey cover

Dimensions	Order Symbol	Code	EAN Code	Description
	ABS 3828 13 G-2FSH	9996276	 6 418074 053466	Enclosure, ABS Grey hinged cover
	ABS 3828 13 T	5880063	 6 418074 039200	Enclosure, ABS Transparent cover
	ABS 3828 13 T-2FSH	9996269	 6 418074 060983	Enclosure, ABS Transparent hinged cover
378x278x180 mm				
	PC 3828 18 G	5330373	 6 418074 005588	Enclosure, PC Grey cover
	PC 3828 18 G-2FSH	2539523	 6 418074 052803	Enclosure, PC Grey hinged cover
	PC 3828 18 T	5330073	 6 418074 005571	Enclosure, PC Transparent cover
	PC 3828 18 T-2FSH	2539553	 6 418074 052926	Enclosure, PC Transparent hinged cover
	ABS 3828 18 G	5880373	 6 418074 039095	Enclosure, ABS Grey cover
	ABS 3828 18 G-2FSH	9996275	 6 418074 053527	Enclosure, ABS Grey hinged cover
	ABS 3828 18 T	5880073	 6 418074 039217	Enclosure, ABS Transparent cover
	ABS 3828 18 T-2FSH	9996270	 6 418074 061041	Enclosure, ABS Transparent hinged cover
558x278x130 mm				
	PC 5628 13 G	5330364	 6 418074 005601	Enclosure, PC Grey cover
	PC 5628 13 G-3FSH	2539525	 6 418074 052759	Enclosure, PC Grey hinged cover
	PC 5628 13 T	5330064	 6 418074 005595	Enclosure, PC Transparent cover
	PC 5628 13 T-3FSH	2539555	 6 418074 052872	Enclosure, PC Transparent hinged cover

SOLID

Including: Base with screws for mounting plate cover with PUR gasket and polyamide cover screws.

PC: IP66/IP67, IK09/IK08
ABS: IP66/IP67, IK08

Dimensions	Order Symbol	Code	EAN Code	Description
	ABS 5628 13 G	5880364	 6 418074 039101	Enclosure, ABS Grey cover
	ABS 5628 13 G-3FSH	9880441	 6 418074 053473	Enclosure, ABS Grey hinged cover
	ABS 5628 13 T	5880064	 6 418074 039224	Enclosure, ABS Transparent cover
	ABS 5628 13 T-3FSH	9996271	 6 418074 060990	Enclosure, ABS Transparent hinged cover
558x378x180 mm				
	PC 5638 18 G	5330365	 6 418074 005625	Enclosure, PC Grey cover
	PC 5638 18 G-3FSH	2539527	 6 418074 052810	Enclosure, PC Grey hinged cover
	PC 5638 18 T	5330065	 6 418074 005618	Enclosure, PC Transparent cover
	PC 5638 18 T-3FSH	2539557	 6 418074 052933	Enclosure, PC Transparent hinged cover
	ABS 5638 18 G	5880365	 6 418074 039118	Enclosure, ABS Grey cover
	ABS 5638 18 G-3FSH	9880445	 6 418074 053534	Enclosure, ABS Grey hinged cover
	ABS 5638 18 T	5880065	 6 418074 039231	Enclosure, ABS Transparent cover
	ABS 5638 18 T-3FSH	9996272	 6 418074 061058	Enclosure, ABS Transparent hinged cover

SOLID technical information

Property	Polycarbonate (PC)	ABS
Ingress Protection (EN 60529)	IP 66/IP 67	IP 66/IP 67
Impact Resistance (EN 62262)	IK 08 (side surface) IK 09 (front surface)	IK 08
Temperature Range Celsius (short term)	-40° . . 120°C	-40° . . 80°C
Temperature Range Celsius (continuous)	-40° . . 80°C	-40° . . 60°C
Electrical Insulation	Totally insulated ☐	Totally insulated ☐
Light Grey Parts Colour	RAL 7035 Industry Grey	RAL 7035 Industry Grey
Transparent Clear PC Cover	Clear transparent	Clear transparent
Cover Screws	RAL 7035	RAL 7035
Cover Screws	Polyamide (PA)	Polyamide (PA)
Gasket	PUR	PUR
Enclosure Flammability Rating	UL 746C 5V*	
Glow Wire Test (IEC 695-2-1) Self-extinguishing (PC)	960°C	650°C
Non-toxicity	Halogen Free	Halogen Free
UV resistance	UL 508 720 hours in "Weatherometer"	
Chemical Resistance**	Good	Good

Confirmity to standards

USA Enclosures for Electrical Equipment*

Canada Industrial Control Equipment Enclosures for Electrical Equipment/ULc*

Europe Empty enclosures for low-voltage switchgear and controlgear assemblies EN 62208:2003

Europe Safety of Information Technology Equipment EN 60950 RoHS directive 2002/95/EC

Russia GostR - Gost Russian certificate of conformity









*UL label on request








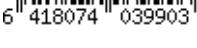
Data subject to change without notice.

** Consult separate raw material data for more detailed information

	Order symbol	Code	Dimensions	EAN code	Description
Mounting plates (Galvanized steel, sheet thickness 1,5 mm)					
	EKHVT	3770548	148x148	 6 418074 039743	Mounting plate, for enclosures: 190x190x130, 190x190x180
	EKJVT	3770549	148x238	 6 418074 039750	Mounting plate, for enclosures: 280x190x130, 280x190x180
	EKMVT	3770550	148x338	 6 418074 039767	Mounting plate, for enclosures: 380x190x130, 380x190x180
	EKOVT	3770551	238x238	 6 418074 039774	Mounting plate, for enclosures: 280x280x130, 280x280x180
	EKPVT	3770552	238x338	 6 418074 039781	Mounting plate, for enclosures: 380x280x130, 380x280x180, 380x280x230
	EKTVT	3770553	238x518	 6 418074 039798	Mounting plate, for enclosures: 560x280x130
	EKUVT	3770554	338x518	 6 418074 039804	Mounting plate, for enclosures: 560x380x180
	PT 60 x 11 PH2 SET	3570580		 6 418074 031426	Mounting screw set (4pcs) For Ø5,2 mm (mounting) pods
Mounting plates Pertinax 4mm					
	EKHXT	3770748	148x148	 6 418074 029362	Mounting plate, for enclosures: 190x190x130, 190x190x180
	EKJXT	3770749	148x240	 6 418074 029379	Mounting plate, for enclosures: 280x190x130, 280x190x180
	EKMXT	3770750	148x340	 6 418074 029386	Mounting plate, for enclosures: 380x190x130, 380x190x180
	EKOXT	3770751	238x238	 6 418074 029393	Mounting plate, for enclosures: 280x280x130, 280x280x180
	EKPXT	3770752	238x338	 6 418074 029409	Mounting plate, for enclosures: 380x280x130, 380x280x180
	EKTXT	3770753	236x518	 6 418074 029416	Mounting plate, for enclosures: 560x280x130





	Order symbol	Code	Dimensions	EAN code	Description
	EKUXT	3770754	339x518	 6 418074 029423	Mounting plate, for enclosures: 560x380x180
Mounting plates for kWh-meter					
	EKPM2	3770839	238x338	 6 418074 040831	338 x 238 for kWh-meter
	M6x16	3570678		 6 418074 031570	Mounting screw for mounting the kWh meter
DIN-35 Mounting rails (Galvanized steel, rail height 7,5 mm)					
	EKV 12	3770647	160x35	 6 418074 031969	DIN-35 Mounting rail, for enclosures: 190x190x130-380x190x180
	EKV 22	3770648	235x35	 6 418074 031976	DIN-35 Mounting rail, for enclosures: 280x280x130-560x280x130
	EKV 32	3770649	335x35	 6 418074 031983	DIN-35 Mounting rail, for enclosures: 380x190x130, 380x190x180, 380x280x130, 380x280x180, 380x280x230, 560x380x180,
	EKV 50	3770699	500x35	 6 418074 030405	DIN-35 Mounting rail, for enclosures: 560x280x130
Mounting rail accessories					
	MSM PT 5x10	4712049		 6 418074 032577	Mounting screw
	PT 60 x 11 PH2 SET	3570580		 6 418074 031426	Mounting screw set (4pcs) For Ø5,2 mm (mounting) pads
	MB 10686	3730686		 6 418074 031181	Set of 2 spacers including screws (15/34 mm)

	Order symbol	Code	Dimensions	EAN code	Description
DIN rail frames					
	MS PROF 19	3510840		 6 418074 040480	DIN rail frames
	MS PROF 28	3510841		 6 418074 040497	DIN rail frames
	MS PROF 38	3510842		 6 418074 031310	DIN rail frames
	MS PROF 56	3510843		 6 418074 040503	DIN rail frames
	EKT PROF 56	3510844		 6 418074 031327	DIN terminal rail
Extension frames (Polycarbonate, PUR Gasket)					
	EKJZR	3730153	188x278	 6 418074 005724	Extension frame, for enclosures: 280x190x130, 280x190x180
	EKMZR	3730152	188x378	 6 418074 005731	Extension frame, for enclosures: 380x190x130, 380x190x180
	EKOZR	3730093	278x278	 6 418074 005748	Extension frame, for enclosures: 280x280x130, 280x280x180
	EKPZR	3730141	278x378	 6 418074 005755	Extension frame, for enclosures: 380x280x130, 380x280x180, 380x280x230
	EKTZR	3730142	278x558	 6 418074 005762	Extension frame, for enclosures: 560x280x130
	EKUZR	3730323	378x558	 6 418074 005779	Extension frame, for enclosures: 560x380x180

	Order symbol	Code	Dimensions	EAN code	Description
Front plates with DIN-openings					
	FP12-2819	3770765	190x280	 6 418074 006318	Front plate 12 modules
	FP12-2828	3770756	280x280	 6 418074 006325	Front plate 12 modules
	FP12x2-2828	3770766	280x280	 6 418074 006332	Front plate 2x12 modules
	FP12x2-2838	3770769	380x280	 6 418074 006349	Front plate 2x12 modules
	FP12x3-2838	3770767	380x280	 6 418074 006356	Front plate 3x12 modules
	FP12x3-2856	3770768	560x280	 6 418074 006363	Front plate 3x12 modules
MB FP88 and MB FP882 spacers					
	MB FP88	3530764		 6 418074 036001	Distance spacer for front plates
	MB FP882	3530771		 6 418074 035868	Distance spacer for front plates
	MB 26050	5026050		 6 418074 034830	Cover plate for 12 modules (1 module = 17,5 mm)
	MB 26069SET	5126029		 6 418074 031747	N/PE terminal bracket set incl. 2 pcs of terminals (16-holes)
	MS BAR CLAMP	4712232		 6 418074 040886	Terminal bus-bar clamp, 25 mm ²
	MR 26145	5026145		 6 418074 039903	Terminal bus-bar clamp, 35 mm ²

	Order symbol	Code	Dimensions	EAN code	Description
PC front plates for FX20 SET					
	FX FP 8-2819	3770849	190x280	 6 418074 030108	Front plate, blue, thickness 2 mm 8 modules
	FX FP 12-2828	3770850	280x280	 6 418074 030115	Front plate, blue, thickness 2 mm 12 modules
	FX FP 2*12-2838	3770851	280x380	 6 418074 030290	Front plate, blue, thickness 2 mm 2x12 modules
	FX FP 3*12-2856	3770852	280x560	 6 418074 030313	Front plate, blue, thickness 2 mm 3x12 modules
Corner stud FX20 SET					
	FX20 SET	3570791		 6 418074 035165	Corner stud set (4 pcs) incl. screws
	MB 10791	3730791		 6 418074 010544	Corner stud (separate)
	MB 10792	3730792		 6 418074 010551	Front plate screw
	MS BAR 2+18	4712199	7x10	 6 418074 040855	PE/N terminal bus-bar 25+ 10 mm ²
PC front plates for MB 60MM bus-bar holder					
	MB FP 2828	3770853	280x280	 6 418074 031341	Front plate Blue, thickness 2 mm
	MB FP 3828	3770854	280x380	 6 418074 031358	Front plate Blue, thickness 2 mm
	MB FP 5628	3770855	280x560	 6 418074 031372	Front plate Blue, thickness 2 mm

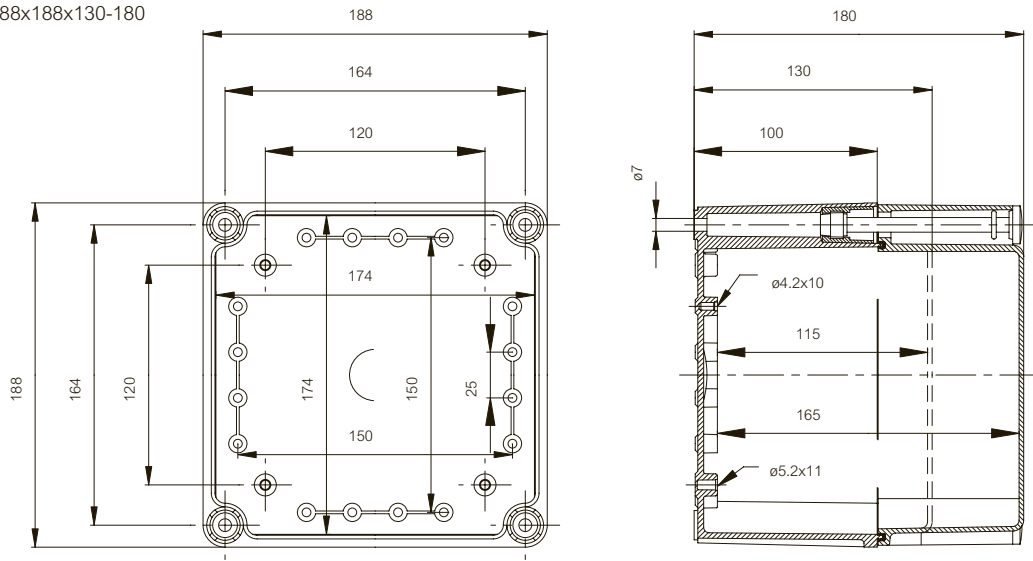
	Order symbol	Code	Dimensions	EAN code	Description
60 MM Bus-Bar					
	MB 60MM	3532385		 6 418074 031600	Bus-bar holder set incl. screws and support
	MB 10792	3730792		 6 418074 010551	Front plate screw
Hinges and wall mounting					
	MB 10622	3530622		 6 418074 039644	PC Hinge set, 1 pair incl. screws and drill template
	MB 10547	3570547		 6 418074 031280	PA Hinge set, 1 pair incl. screws
	EKZKS 1	3570570		 6 418074 009883	Hinge set, metal
	MB 10523	3560523		 6 418074 031174	Blind plug for cover corner on hinged side when cover screws are not used
	MB 10674	3770674		 6 418074 039651	Wall fastening lug (4 pcs)
Cover screws					
	HS 10255	3540255		 6 418074 030672	Wing head for 30 mm cover
	CS 10256	3540256		 6 418074 030689	Cross head for 30/100 mm cover
	SS 10535	3540535		 6 418074 030702	Slotted head (sealable) for 30 mm cover
	SS 10544	3570544		 6 418074 031273	Slotted head (quick-lock) for 30/100 mm cover
	HS 10533	3570533		 6 418074 031266	Wing head (quick-lock) for 30 mm cover
	HS 10532	3570532		 6 418074 031259	Quick-locking wing head (hinged) for 30 mm cover

	Order symbol	Code	Dimensions	EAN code	Description
	MB 10534	3540534		 6 418074 030696	Threaded bushing to be ordered separately with quick-lock screws
	SS 10563	3540563		 6 418074 030733	Cross head for 80 mm cover
	HS 10562	3540562		 6 418074 030726	Wing head for 80 mm cover
	DS 10581	3540581		 6 418074 030757	Triangle head for 30/80/100 mm cover
	MB 10673	3570673		 6 418074 031563	Triangular key for cover screw DS 10581
	SS 10256 N	3510256		 6 418074 030023	Slotted head for 30 mm cover
	HS 10255 N	3510255		 6 418074 030016	Wing head for 30 mm cover
	SS 10256-4	3544256		 6 418074 030856	Set of 4 cross head screws for 30/100 mm cover
	SS 10256-6	3546256		 6 418074 030979	Set of 6 cross head screws for 30/100 mm cover
	SS 10563-4	3544563		 6 418074 030870	Set of 4 cross head screws for 80 mm cover
Spacers for corners of the base					
	MR 10726	5070726		 6 418074 032089	Spacer 15 mm M6 self-cutting
	MR 10727	5070727		 6 418074 032096	Spacer 20 mm M6 self-cutting
	MR 10728	5070728		 6 418074 032102	Spacer 30 mm M6 self-cutting
	MR 10729	5070729		 6 418074 032119	Spacer 54 mm M6 self-cutting
	HR 10	3570655		 6 418074 040596	Extension for MR spacer 10 mm, M6/M6

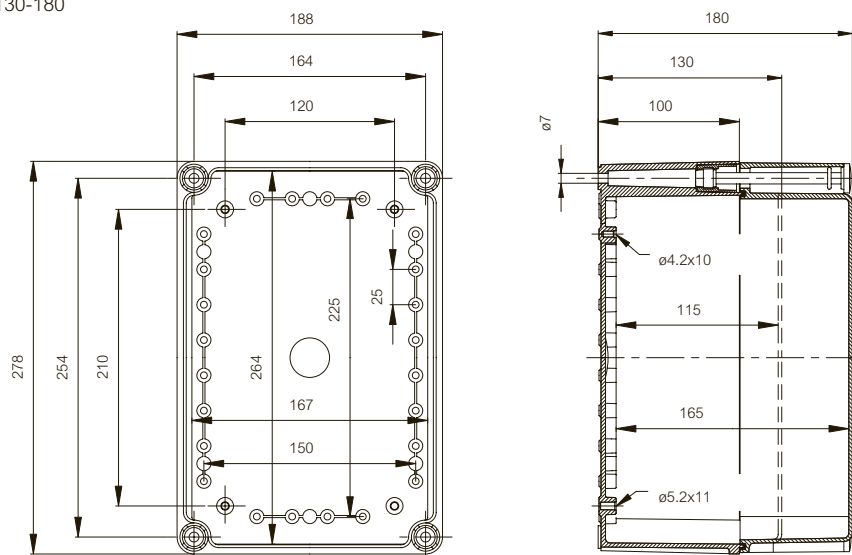
	Order symbol	Code	Dimensions	EAN code	Description
	HR 15	3570656		 6 418074 031501	Extension for MR spacer 15 mm, M6/M6
	HR 20	3570657		 6 418074 031518	Extension for MR spacer 20 mm, M6/M6
	HR 30	3570658		 6 418074 031525	Extension for MR spacer 30 mm, M6/M6
Spacers for middle mounting pods					
	FA 12053	4712053		 6 418074 032171	Spacer 14 mm M5 self-cutting
	FA 12052	4712052		 6 418074 032164	Spacer 42 mm M5 self-cutting
Key-Lock Set					
	MB 10597	3570597		 6 418074 039668	Lock and two keys for 30mm covers only

Dimensional drawings

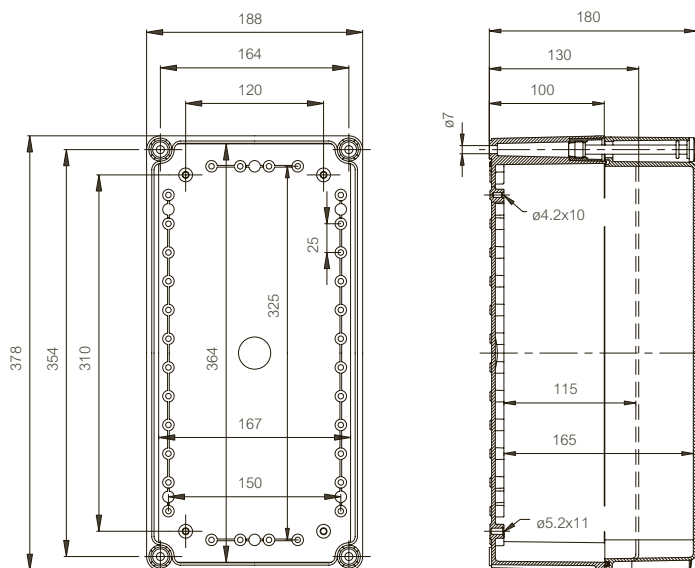
SOLID 188x188x130-180



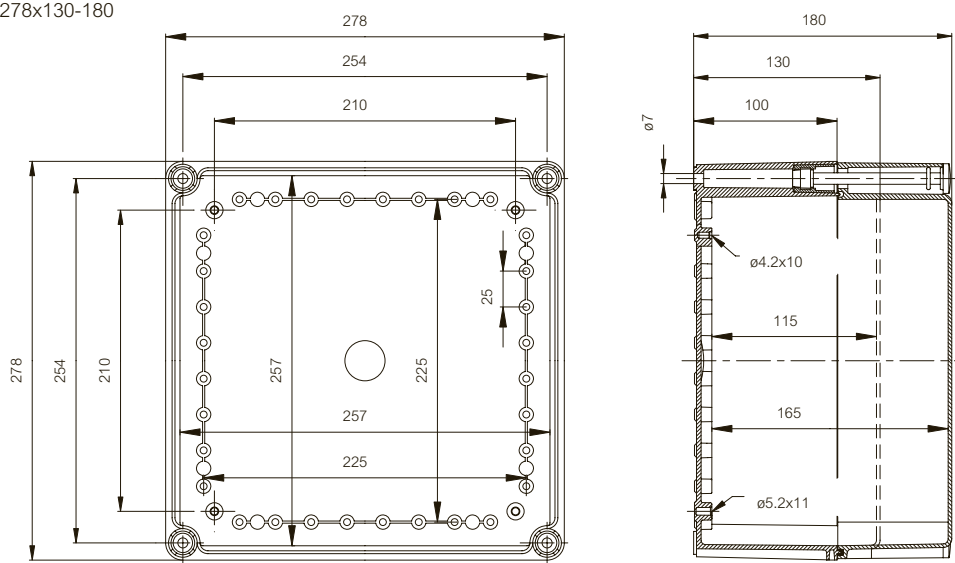
SOLID 278x188x130-180



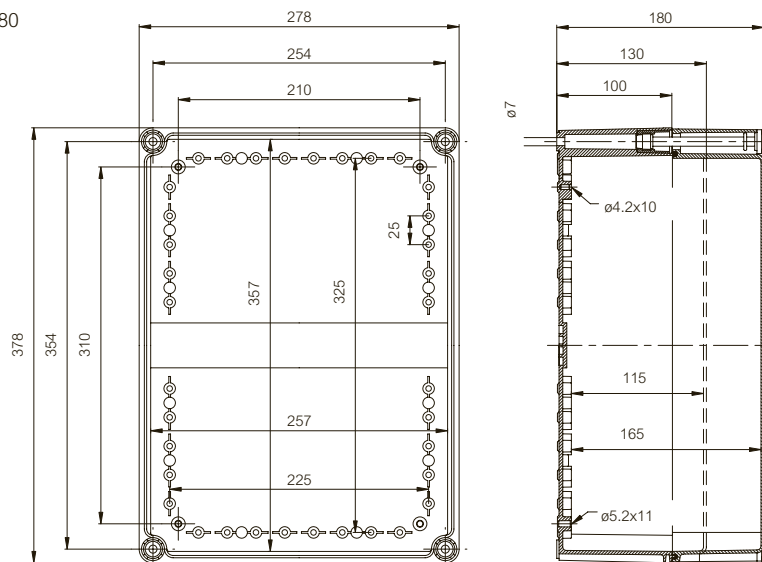
SOLID 378x188x130-180



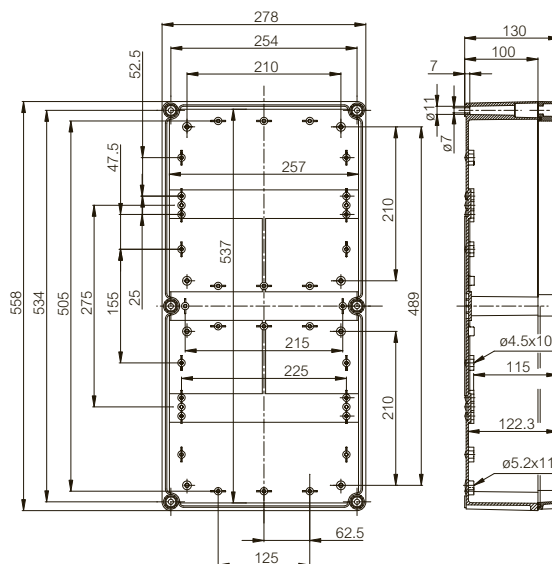
SOLID 278x278x130-180



SOLID 378x278x130-180

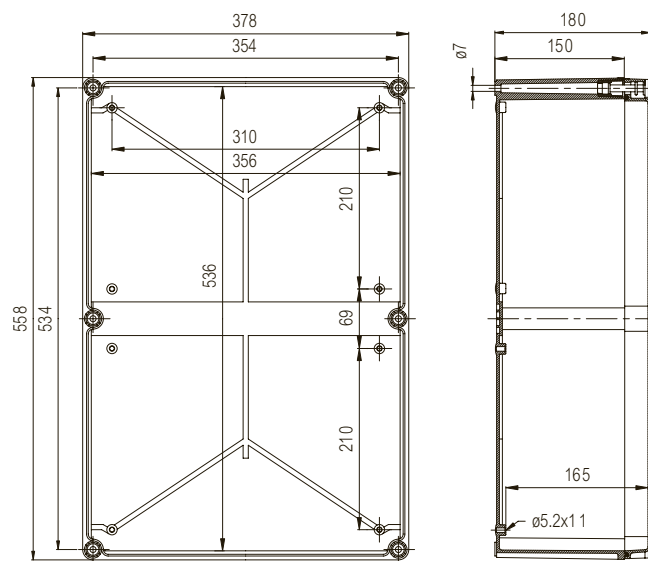


SOLID 558x278x130



Dimensional drawings

SOLID 558x378x180





Brings interchangeability

Euronord enclosures come in over 160 standard sizes, meaning huge interchangeability with the products you may already have. They also provide generous room and multiple mounting options, safeguarding electronics that meet exacting, Northern European standards.

Secure protection for switch gear and control gear.



Enclosure

- 1 Base
- 2 Cover, grey or transparent
- 3 Rapidly installed QuickLock cover screws

Accessories

- 3 Fastening lugs, 4 pcs. incl. screws
- 4 Mounting plate, electro-galvanised steel resistance to corrosion
- 5 DIN rail
Different sizes TS 15 / TS 35

EURONORD PC/ABS

Including: Base with screws for mounting plate/DIN-rail, cover with PUR gasket and ferritic stainless steel cover screws.

PC: IP66/IP67, IK08/IK07
ABS IP66/IP67, IK07

Dimensions	Order Symbol	Code	EAN Code	Description
52x50x40 mm				
	PC 050504	7032500	 6 418074 010629	Enclosure, PC Grey cover
	AB 050504	7083500	 6 418074 010612	Enclosure, ABS Grey cover
65x50x45 mm				
	PC 050705	7032520	 6 418074 003607	Enclosure, PC Grey cover
	PCT 050705	7022521	 6 418074 003720	Enclosure, PC Transparent cover
	AB 050705	7083520	 6 418074 003485	Enclosure, ABS Grey cover
98x66x41 mm				
	PC 071004	7032530	 6 418074 058300	Enclosure, PC Grey cover
	PCQ 071004	7033531	 6 418074 058980	Enclosure, PC Grey cover (quick-locking)
	PCT 071004	7022531	 6 418074 058515	Enclosure, PC Transparent cover
	PCTQ 071004	7022530	 6 418074 059062	Enclosure, PC Transparent cover (quick-locking)
	AB 071004	7083530	 6 418074 058720	Enclosure, ABS Grey cover
	ABQ 071004	7083531	 6 418074 059147	Enclosure, ABS Grey cover (quick-locking)

EURONORD PC/ABS

Including: Base with screws for mounting plate/DIN-rail, cover with PUR gasket and ferritic stainless steel cover screws.

PC: IP66/IP67, IK08/IK07
ABS IP66/IP67, IK07

Dimensions	Order Symbol	Code	EAN Code	Description
82x80x55 mm				
	PC 080806	7032540	 6 418074 058317	Enclosure, PC Grey cover
	PCT 080806	7022541	 6 418074 058522	Enclosure, PC Transparent cover
	AB 080806	7083540	 6 418074 058737	Enclosure, ABS Grey cover
82x80x65 mm				
	PC 080807	7032560	 6 418074 003614	Enclosure, PC Grey cover
	PCT 080807	7022561	 6 418074 003737	Enclosure, PC Transparent cover
	AB 080807	7083560	 6 418074 003492	Enclosure, ABS Grey cover
82x80x85 mm				
	PC 080809	7032550	 6 418074 058324	Enclosure, PC Grey cover
	PCT 080809	7022551	 6 418074 058539	Enclosure, PC Transparent cover
	AB 080809	7083550	 6 418074 058744	Enclosure, ABS Grey cover
82x80x95 mm				
	PC 080810	7032570	 6 418074 058331	Enclosure, PC Grey cover
	PCT 080810	7022571	 6 418074 058546	Enclosure, PC Transparent cover
	AB 080810	7083570	 6 418074 058751	Enclosure, ABS Grey cover

EURONORD PC/ABS

Including: Base with screws for mounting plate/DIN-rail, cover with PUR gasket and ferritic stainless steel cover screws.

PC: IP66/IP67, IK08/IK07

ABS IP66/IP67, IK07

Dimensions	Order Symbol	Code	EAN Code	Description
120x80x55 mm				
	PC 081206	7032580	 6 418074 003621	Enclosure, PC Grey cover
	PCT 081206	7022581	 6 418074 003744	Enclosure, PC Transparent cover
	AB 081206	7083580	 6 418074 003508	Enclosure, ABS Grey cover
120x80x60 mm				
	PC 081206H	7032590	 6 418074 058348	Enclosure, PC Grey cover
	PCT 081206H	7022591	 6 418074 058553	Enclosure, PC Transparent cover
	AB 081206H	7083590	 6 418074 058768	Enclosure, ABS Grey cover
120x80x85 mm				
	PC 081209	7032600	 6 418074 058355	Enclosure, PC Grey cover
	PCT 081209	7022601	 6 418074 058560	Enclosure, PC Transparent cover
	AB 081209	7083600	 6 418074 058775	Enclosure, ABS Grey cover
120x80x90 mm				
	PC 081209H	7032610	 6 418074 058362	Enclosure, PC Grey cover
	PCT 081209H	7022611	 6 418074 058577	Enclosure, PC Transparent cover
	AB 081209H	7083610	 6 418074 058782	Enclosure, ABS Grey cover

EURONORD PC/ABS

Including: Base with screws for mounting plate/DIN-rail, cover with PUR gasket and ferritic stainless steel cover screws.

PC: IP66/IP67, IK08/IK07
ABS IP66/IP67, IK07

Dimensions	Order Symbol	Code	EAN Code	Description
160x80x55 mm				
	PC 081606	7032630	 6 418074 058379	Enclosure, PC Grey cover
	PCT 081606	7022631	 6 418074 058584	Enclosure, PC Transparent cover
	AB 081606	7083630	 6 418074 058799	Enclosure, ABS Grey cover
160x80x65 mm				
	PC 081607	7032620	 6 418074 003638	Enclosure, PC Grey cover
	PCT 081607	7022621	 6 418074 003751	Enclosure, PC Transparent cover
	AB 081607	7083620	 6 418074 003515	Enclosure, ABS Grey cover
160x80x85 mm				
	PC 081609	7032650	 6 418074 058386	Enclosure, PC Grey cover
	PCT 081609	7022651	 6 418074 058591	Enclosure, PC Transparent cover
	AB 081609	7083650	 6 418074 058805	Enclosure, ABS Grey cover
160x80x95 mm				
	PC 081610	7032640	 6 418074 003645	Enclosure, PC Grey cover
	PCT 081610	7022641	 6 418074 003768	Enclosure, PC Transparent cover
	AB 081610	7083640	 6 418074 003522	Enclosure, ABS Grey cover

EURONORD PC/ABS

Including: Base with screws for mounting plate/DIN-rail, cover with PUR gasket and ferritic stainless steel cover screws.

PC: IP66/IP67, IK08/IK07

ABS IP66/IP67, IK07

Dimensions	Order Symbol	Code	EAN Code	Description
122x120x65 mm				
	PC 121207	7032660	 6 418074 005199	Enclosure, PC Grey cover
	PCT 121207	7022661	 6 418074 005205	Enclosure, PC Transparent cover
	AB 121207	7083660	 6 418074 036872	Enclosure, ABS Grey cover
122x120x75 mm				
	PC 121208	7032670	 6 418074 058393	Enclosure, PC Grey cover
	PCT 121208	7022671	 6 418074 058607	Enclosure, PC Transparent cover
	AB 121208	7083670	 6 418074 058812	Enclosure, ABS Grey cover
122x120x95 mm				
	PC 121210	7032680	 6 418074 003652	Enclosure, PC Grey cover
	PCT 121210	7022681	 6 418074 003775	Enclosure, PC Transparent cover
	AB 121210	7083680	 6 418074 003539	Enclosure, ABS Grey cover
122x120x105 mm				
	PC 121211	7032690	 6 418074 058409	Enclosure, PC Grey cover
	PCT 121211	7022691	 6 418074 058614	Enclosure, PC Transparent cover
	AB 121211	7083690	 6 418074 058829	Enclosure, ABS Grey cover

EURONORD PC/ABS

Including: Base with screws for mounting plate/DIN-rail, cover with PUR gasket and ferritic stainless steel cover screws.

PC: IP66/IP67, IK08/IK07
ABS IP66/IP67, IK07

Dimensions	Order Symbol	Code	EAN Code	Description
160x120x90 mm				
	PC 121609	7032720	 6 418074 003669	Enclosure, PC Grey cover
	PCT 121609	7022721	 6 418074 003782	Enclosure, PC Transparent cover
	AB 121609	7083720	 6 418074 003546	Enclosure, ABS Grey cover
160x120x140 mm				
	PC 121614	7032730	 6 418074 058416	Enclosure, PC Grey cover
	PCT 121614	7022731	 6 418074 058621	Enclosure, PC Transparent cover
	AB 121614	7083730	 6 418074 058836	Enclosure, ABS Grey cover
200x120x75 mm				
	PC 122008	7032760	 6 418074 003676	Enclosure, PC Grey cover
	PCT 122008	7022761	 6 418074 003799	Enclosure, PC Transparent cover
	AB 122008	7083760	 6 418074 003553	Enclosure, ABS Grey cover
200x120x90 mm				
	PC 122009	7032770	 6 418074 058423	Enclosure, PC Grey cover
	PCT 122009	7022771	 6 418074 058638	Enclosure, PC Transparent cover
	AB 122009	7083770	 6 418074 058843	Enclosure, ABS Grey cover

EURONORD PC/ABS

Including: Base with screws for mounting plate/DIN-rail, cover with PUR gasket and ferritic stainless steel cover screws.

PC: IP66/IP67, IK08/IK07
ABS IP66/IP67, IK07

Dimensions	Order Symbol	Code	EAN Code	Description
244x124x102 mm				
	PC 122410	7032780	 6 418074 058430	Enclosure, PC Grey cover
	PCQ 122410	7033781	 6 418074 058997	Enclosure, PC Grey cover (quick-locking)
	PCT 122410	7022781	 6 418074 058645	Enclosure, PC Transparent cover
	PCTQ 122410	7022780	 6 418074 059079	Enclosure, PC Transparent cover (quick-locking)
	AB 122410	7083780	 6 418074 058850	Enclosure, ABS Grey cover
	ABQ 122410	7083781	 6 418074 059154	Enclosure, ABS Grey cover (quick-locking)
201x151x80 mm				
	PC 152008	7032820	 6 418074 010636	Enclosure, PC Grey cover
	PCT 152008	7022821	 6 418074 010643	Enclosure, PC Transparent cover
	AB 152008	7083820	 6 418074 010650	Enclosure, ABS Grey cover
340x150x101 mm				
	PC 153410	7032700	 6 418074 058447	Enclosure, PC Grey cover
	PCQ 153410	7033701	 6 418074 059000	Enclosure, PC Grey cover (quick-locking)
	PCT 153410	7022701	 6 418074 058652	Enclosure, PC Transparent cover
	PCTQ 153410	7022700	 6 418074 059086	Enclosure, PC Transparent cover (quick-locking)
	AB 153410	7083700	 6 418074 058867	Enclosure, ABS Grey cover

Dimensions	Order Symbol	Code	EAN Code	Description
	ABQ 153410	7083701	 6 418074 059161	Enclosure, ABS Grey cover (quick-locking)
340x150x121 mm				
	PC 153412	7032710	 6 418074 058454	Enclosure, PC Grey cover
	PCQ 153412	7033711	 6 418074 059017	Enclosure, PC Grey cover (quick-locking)
	PCT 153412	7022711	 6 418074 058669	Enclosure, PC Transparent cover
	PCTQ 153412	7022710	 6 418074 059093	Enclosure, PC Transparent cover (quick-locking)
	AB 153412	7083710	 6 418074 058874	Enclosure, ABS Grey cover
	ABQ 153412	7083711	 6 418074 059178	Enclosure, ABS Grey cover (quick-locking)
244x164x90 mm				
	PC 162409	7032810	 6 418074 058461	Enclosure, PC Grey cover
	PCQ 162409	7033811	 6 418074 059024	Enclosure, PC Grey cover (quick-locking)
	PCT 162409	7022811	 6 418074 058676	Enclosure, PC Transparent cover
	PCTQ 162409	7022810	 6 418074 059109	Enclosure, PC Transparent cover (quick-locking)
	AB 162409	7083810	 6 418074 058881	Enclosure, ABS Grey cover
	ABQ 162409	7083811	 6 418074 059185	Enclosure, ABS Grey cover (quick-locking)

EURONORD PC/ABS

Including: Base with screws for mounting plate/DIN-rail, cover with PUR gasket and ferritic stainless steel cover screws.

PC: IP66/IP67, IK08/IK07

ABS IP66/IP67, IK07

Dimensions	Order Symbol	Code	EAN Code	Description
244x164x120 mm				
	PC 162412	7032830	 6 418074 058478	Enclosure, PC Grey cover
	PCQ 162412	7033831	 6 418074 059031	Enclosure, PC Grey cover (quick-locking)
	PCT 162412	7022831	 6 418074 058683	Enclosure, PC Transparent cover
	PCTQ 162412	7022830	 6 418074 059116	Enclosure, PC Transparent cover (quick-locking)
	AB 162412	7083830	 6 418074 058898	Enclosure, ABS Grey cover
	ABQ 162412	7083831	 6 418074 059192	Enclosure, ABS Grey cover (quick-locking)
250x160x90 mm				
	PC 162509	7032840	 6 418074 003683	Enclosure, PC Grey cover
	PCT 162509	7022841	 6 418074 003805	Enclosure, PC Transparent cover
	AB 162509	7083840	 6 418074 003560	Enclosure, ABS Grey cover
250x160x125 mm				
	PC 162513	7032860	 6 418074 003690	Enclosure, PC Grey cover
	PCT 162513	7022861	 6 418074 003812	Enclosure, PC Transparent cover
	AB 162513	7083860	 6 418074 003577	Enclosure, ABS Grey cover

Dimensions	Order Symbol	Code	EAN Code	Description
250x160x150 mm				
	PC 162515	7032740	 6 418074 058485	Enclosure, PC Grey cover
	PCT 162515	7022741	 6 418074 058690	Enclosure, PC Transparent cover
	AB 162515	7083740	 6 418074 058904	Enclosure, ABS Grey cover
360x160x101 mm				
	PC 163610	7032750	 6 418074 058492	Enclosure, PC Grey cover
	PCQ 163610	7033751	 6 418074 059048	Enclosure, PC Grey cover (quick-locking)
	PCT 163610	7022851	 6 418074 058706	Enclosure, PC Transparent cover
	PCTQ 163610	7022750	 6 418074 059123	Enclosure, PC Transparent cover (quick-locking)
	AB 163610	7083750	 6 418074 058911	Enclosure, ABS Grey cover
	ABQ 163610	7083751	 6 418074 059208	Enclosure, ABS Grey cover (quick-locking)
360x200x151 mm				
	PC 203615	7032790	 6 418074 058508	Enclosure, PC Grey cover
	PCQ 203615	7033791	 6 418074 059055	Enclosure, PC Grey cover (quick-locking)
	PCT 203615	7022791	 6 418074 058713	Enclosure, PC Transparent cover
	PCTQ 203615	7022790	 6 418074 059130	Enclosure, PC Transparent cover (quick-locking)
	AB 203615	7083790	 6 418074 058928	Enclosure, ABS Grey cover

EURONORD PC/ABS

Including: Base with screws for mounting plate/DIN-rail, cover with PUR gasket and ferritic stainless steel cover screws.

PC: IP66/IP67, IK08/IK07

ABS IP66/IP67, IK07

Dimensions	Order Symbol	Code	EAN Code	Description
	ABQ 203615	7083791	 6 418074 059215	Enclosure, ABS Grey cover (quick-locking)
300x230x87 mm				
	PC 233009	7032870	 6 418074 003706	Enclosure, PC Grey cover
	PCT 233009	7022871	 6 418074 003829	Enclosure, PC Transparent cover
	AB 233009	7083870	 6 418074 003584	Enclosure, ABS Grey cover
300x230x110 mm				
	PC 233011	7032890	 6 418074 003713	Enclosure, PC Grey cover
	PCT 233011	7022891	 6 418074 003836	Enclosure, PC Transparent cover
	AB 233011	7083890	 6 418074 003591	Enclosure, ABS Grey cover
400x360x151 mm				
	AB 364015	7083880	 6 418074 058935	Enclosure, ABS Grey cover
	ABQ 364015	7083881	 6 418074 059222	Enclosure, ABS Grey cover (quick-locking)

EURONORD PC/ABS technical information

Property	Polycarbonate (PC)	ABS	Conformity to standards
Ingress Protection (EN 60529)	IP 66/IP 67	IP 66/IP 67	<p>USA USA Enclosures for Electrical Equipment PC(all)+PCQ 071004: UL Type 1, 4, 4X, 12 or 13; UL File E75645 Vol 1 Sec 6; UL 746C-5VA flame test (UL 50/508)* PCQ: NEMA 1, 3, 3S, 12 or 13" ABS: NEMA 1, 4, 4X, 12 or 13 ABSQ: NEMA 1, 3, 3S, 12 or 13</p> <p>Canada Industrial Control Equipment Enclosures for Electrical Equipment/ULc*</p> <p>Europe Empty enclosures for low-voltage switchgear and controlgear assemblies EN 62208:2003 Europe Safety of Information Technology Equipment EN 60950 RoHS directive 2002/95/EC</p> <p>Russia GostR - Gost Russian certificate of conformity</p> <p>*UL label on request</p>
Impact Resistance (EN 62262)	IK 07 (side surface) IK 08 (front surface)	IK 07	
Température Range Celsius (short term) Fahrenheit	-40° . . 120°C -40° . . 250°F	-40° . . 80°C -40° . . 175°F	
Température Range Celsius (continuous) Fahrenheit	-40° . . 80°C -40° . . 175°F	-40° . . 60°C -40° . . 140°F	
Electrical Insulation	Totally insulated ☐	Totally insulated ☐	
Light Grey Parts Colour	RAL 7035 Industry Grey	RAL 7035 Industry Grey	
Transparent Clear PC Cover	Clear transparent	Clear transparent	
Cover Screws	Ferrous Stainless Steel	Ferrous Stainless Steel	
Cover Screws (quicklock)	Zinc Die-Cast	Zinc Die-Cast	
Gasket	PUR	PUR	
Enclosure Flammability Rating	UL 746C 5V*		
Glow Wire Test (IEC 695-2-1) Self -extinguishing (PC)	960°C	650°C	
Non-toxicity	Halogen Free	Halogen Free	
UV resistance	UL 508 720 hours in "Weatherometer"		
Chemical Resistance **	Good	Good	

Data subject to change without notice.

** Consult separate raw material data for more detailed information

EURONORD PC/ABS

ACCESSORIES

	Order symbol	Code	Dimensions	EAN code	Description
Mounting plates (Galvanized steel, sheet thickness 1,5 mm)					
	TM 0505	9512009	44x26	 6 418074 033970	Mounting plate, for enclosures: 52x50x40, 65x50x45
	TM 0507	9512010	57x26	 6 418074 033987	Mounting plate, for enclosures: 65x50x45
	TM 0808	9512011	71x56	 6 418074 033994	Mounting plate, for enclosures: 80x82x55-82x80x95
	TM 0812	9512012	94x71	 6 418074 034007	Mounting plate, for enclosures: 120x80x55-120x80x90
	TM 0816	9512013	134x71	 6 418074 034014	Mounting plate, for enclosures: 160x80x55-160x80x95
	TM 1212	9512014	111x96	 6 418074 034021	Mounting plate, for enclosures: 122x120x65, 122x120x105
	TM 1216	9512036	134x111	 6 418074 034038	Mounting plate, for enclosures: 160x120x90, 160x120x140
	TM 1220	9512015	174x111	 6 418074 034045	Mounting plate, for enclosures: 200x120x75, 200x120x90
	TM 1224	9512016	111x214	 6 418074 034052	Mounting plate, for enclosures: 244x124x102
	TM 1520	9512017	174x141	 6 418074 034069	Mounting plate, for enclosures: 201x151x80
	TM 1534	9512021	136x303	 6 418074 059437	Mounting plate, for enclosures: 340x150x101, 340x150x121
	TM 1624	9512022	151x212	 6 418074 059420	Mounting plate, for enclosures: 244x164x90, 244x164x120
	TM 1625	9512018	224x151	 6 418074 034076	Mounting plate, for enclosures: 250x160x90-250x160x150
	TM 1636	9512023	146x318	 6 418074 059444	Mounting plate, for enclosures: 360x160x101
	TM 2036	9512024	186x318	 6 418074 059413	Mounting plate, for enclosures: 360x200x151



	Order symbol	Code	Dimensions	EAN code	Description
	TM 2330	9512019	274x221	 6 418074 034083	Mounting plate, for enclosures: 300x230x87, 300x230x110
	TM 3640	9512025	315x383	 6 418074 059451	Mounting plate, for enclosures: 400x360x151
DIN-15 Mounting rails (Galvanized steel, rail height 5,0 mm)					
	TRM 0507	9820001	48x15	 6 418074 034137	DIN-15 Mounting rail, for enclosures: 65x50x45
	TRM 0808	9820004	68x15	 6 418074 034144	DIN-15 Mounting rail, for enclosures: 82x80x55-82x80x95, 120x80x55-120x80x90, 160x80x55-160x80x95
	TRM 0812	9820009	106x15	 6 418074 034151	DIN-15 Mounting rail, for enclosures: 120x80x55-120x80x90, 122x120x65-122x120x105, 244x124x102
	TRM 1212	9820008	110x15	 6 418074 034175	DIN-15 Mounting rail, for enclosures: 122x120x65-122x120x105
	ARM 0615	9820011	140x15	 6 418074 034199	DIN-15 Mounting rail, for enclosures: 152x66x46
	TRM 0816	9820013	146x15	 6 418074 034168	DIN-15 Mounting rail, for enclosures: 160x80x55-160x80x95, 160x120x90, 160x120x140, 250x160x90-250x160x150, 300x230x87, 300x230x110
	MIN 20	6314578	225x15	 6 418074 023308	DIN-15 Mounting rail, for enclosures: 255x180x63-360x255x152

EURONORD PC/ABS

ACCESSORIES

	Order symbol	Code	Dimensions	EAN code	Description
DIN-35 Mounting rails (Galvanized steel, rail height 7,5 mm)					
	MIV 10	5514082	100x35	 6 418074 033192	DIN-35 Mounting rail, for enclosures: 130x80x35-180x130x175
	ARH 12	9822001	105x35	 6 418074 034274	DIN-35 Mounting rail, for enclosures: 125x124x81, 362x125x81
	TRH 1212	9822002	110x35	 6 418074 034403	DIN-35 Mounting rail, for enclosures: 122x120x65-122x120x105, 244x124x102
	TRH 15	9822021	122x35	 6 418074 059680	DIN-35 Mounting rail, for enclosures: 340x150x101, 340x150x121
	DH-3	8524032	140x35	 6 418074 033512	DIN-35 Mounting rail, for enclosures: 170x80x65, 170x80x85, 170x140x95
	TRH 1216	9822028	146x35	 6 418074 034410	DIN-35 Mounting rail, for enclosures: 160x80x55-160x80x95, 160x120x90-160x120x140, 250x160x90-250x160x150, 300x230x87, 300x230x110
	TRH 1220	9822006	186x35	 6 418074 034427	DIN-35 Mounting rail, for enclosures: 200x120x75, 200x120x90, 201x151x80
	TRH 1520	9822020	170x35	 6 418074 035837	DIN-35 Mounting rail, for enclosures: 201x151x80
	TRH 24	9822008	226x35	 6 418074 034397	DIN-35 Mounting rail, for enclosures: 244x124x102, 244x164x90, 244x164x120, 250x160x90-250x160x150
	TRH 2330	9822013	285x35	 6 418074 034434	DIN-35 Mounting rail, for enclosures: 300x230x87, 300x230x110
	TRH 34	9822022	307x35	 6 418074 059697	DIN-35 Mounting rail, for enclosures: 340x150x101, 340x150x121
	TRH 2036	9822023	340x35	 6 418074 059703	DIN-35 Mounting rail, for enclosures: 360x160x101, 360x200x151
	TRH 40	9822024	380x35	 6 418074 059710	DIN-35 Mounting rail, for enclosures: 400x360x151

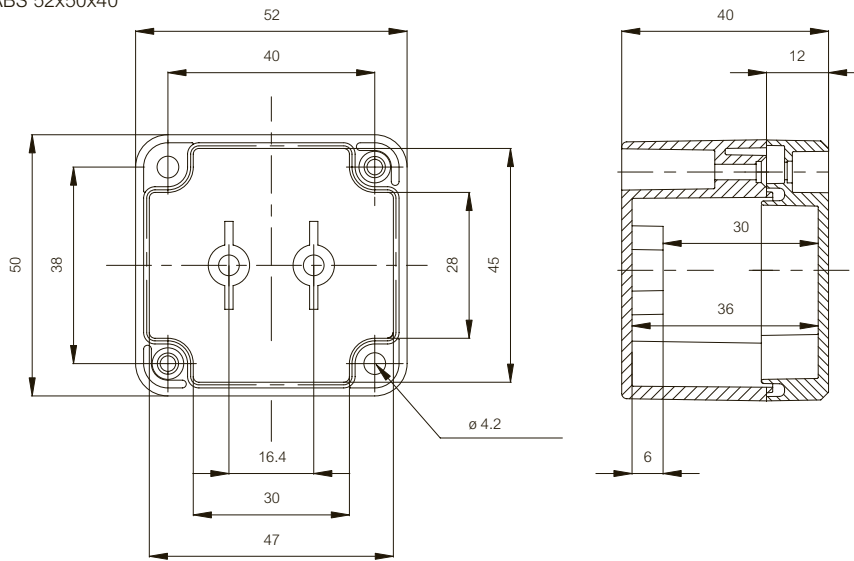


	Order symbol	Code	Dimensions	EAN code	Description
Hinges and wall mounting					
	TH A	9802001		 6 418074 034120	Grey plastic hinges (2 pcs) incl. mounting screws
	TF 28037	7028337		 6 418074 033734	Wall fastening lug (4 pcs), for enclosures: 52x50x40-400x360x151
Cover screws					
	MR 28005EU	7028005		 6 418074 036308	Cover screw
	MRS 38036	7038036		 6 418074 034939	Cover screw set 2xMR 28005EU+2xMR 28036
	MRS 38005	7038005		 6 418074 036285	Cover screw set 4xMR 28005EU+4xMR 28036
	MRS 38215Q	7038215		 6 418074 058270	4 x Short QuickLock screws
	MRS 38216Q	7038216		 6 418074 058287	4 x Long QuickLock screws
	MRS 38217	7038217		 6 418074 058294	4 x Long threaded screws
Mounting screws and other accessories					
	MR 28036EU	7028036		 6 418074 036315	Mounting screw
	MRS 48036	7048036		 6 418074 058942	4 x mounting screws
	MRS 28084 SET	7700101		 6 418074 033789	Brass insert set for PC/ABS
	MB 28018	7028018		 6 418074 033710	Decoration plug
	SB 28088	7028088		 6 418074 003843	Sealing bush

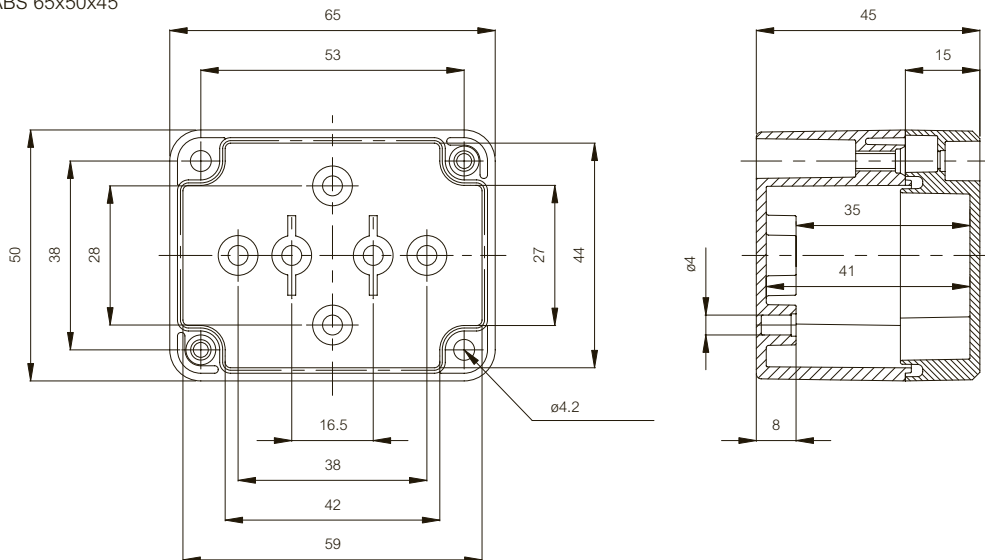
EURONORD PC/ABS

Dimensional drawings

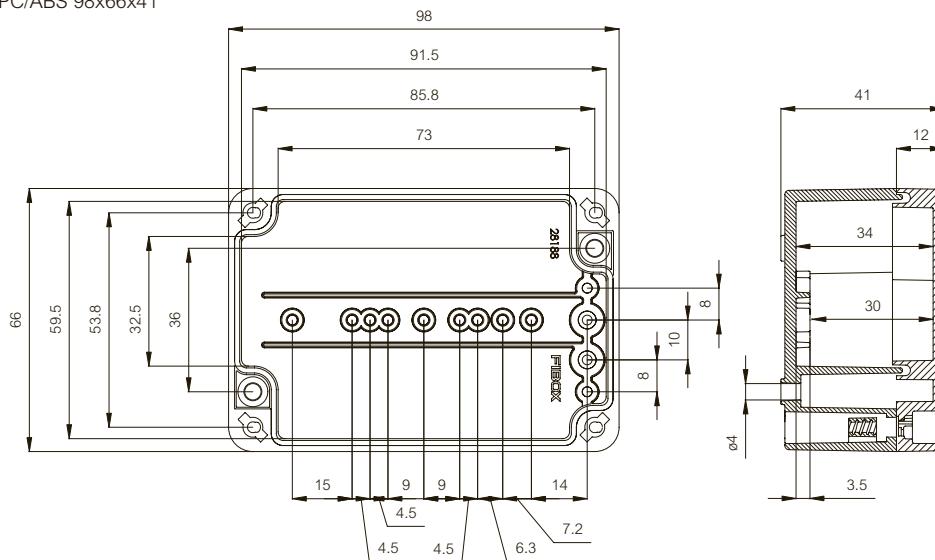
EURONORD PC/ABS 52x50x40



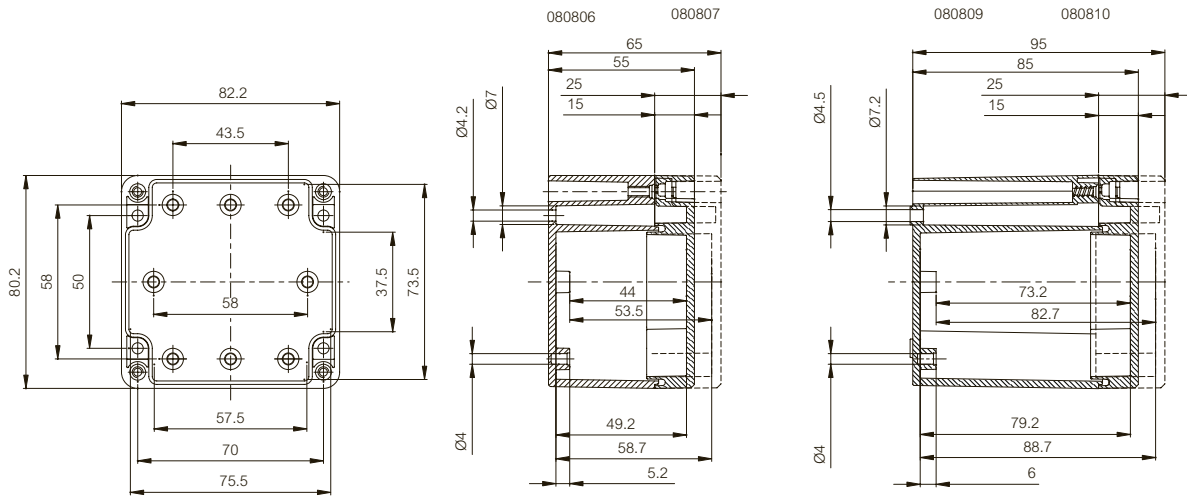
EURONORD PC/ABS 65x50x45



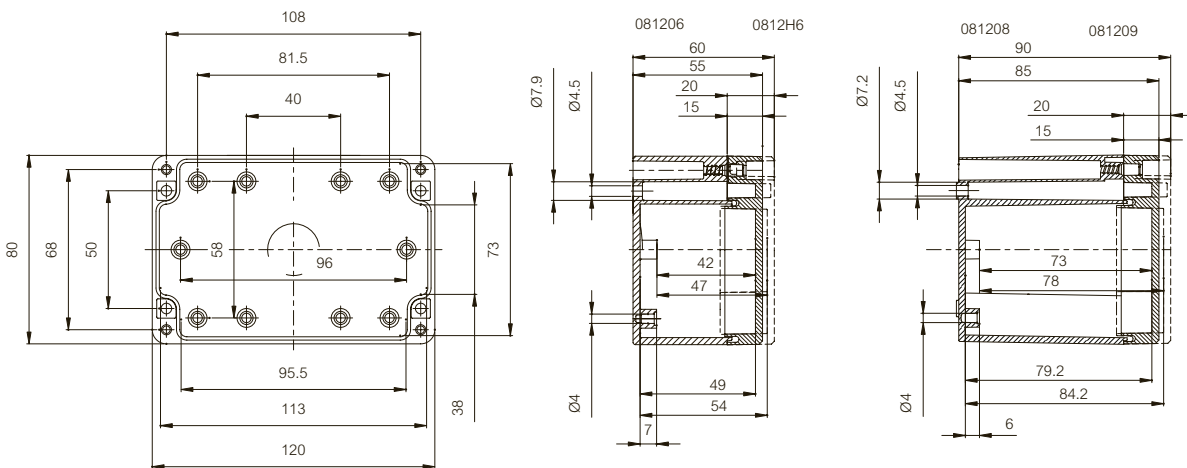
EURONORD PC/ABS 98x66x41



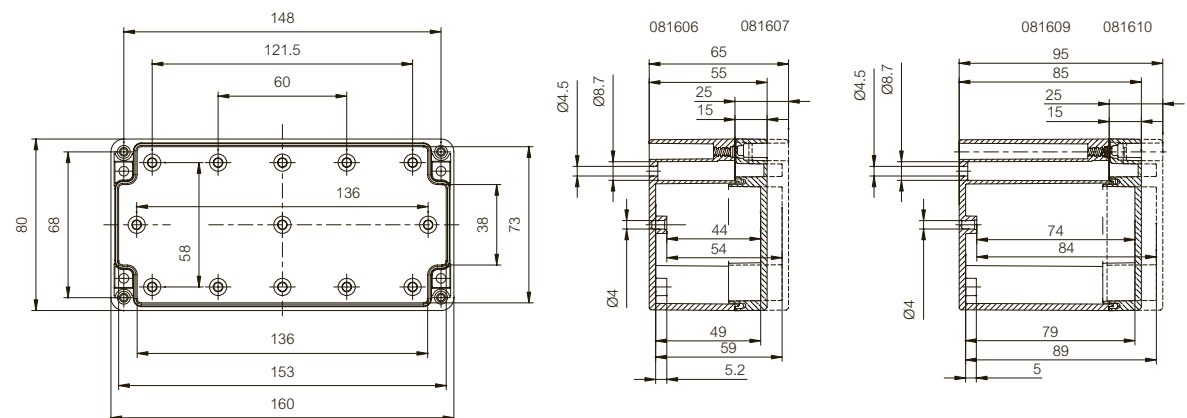
EURONORD PC/ABS 82x80x55-95



EURONORD PC/ABS 120x80x55-90

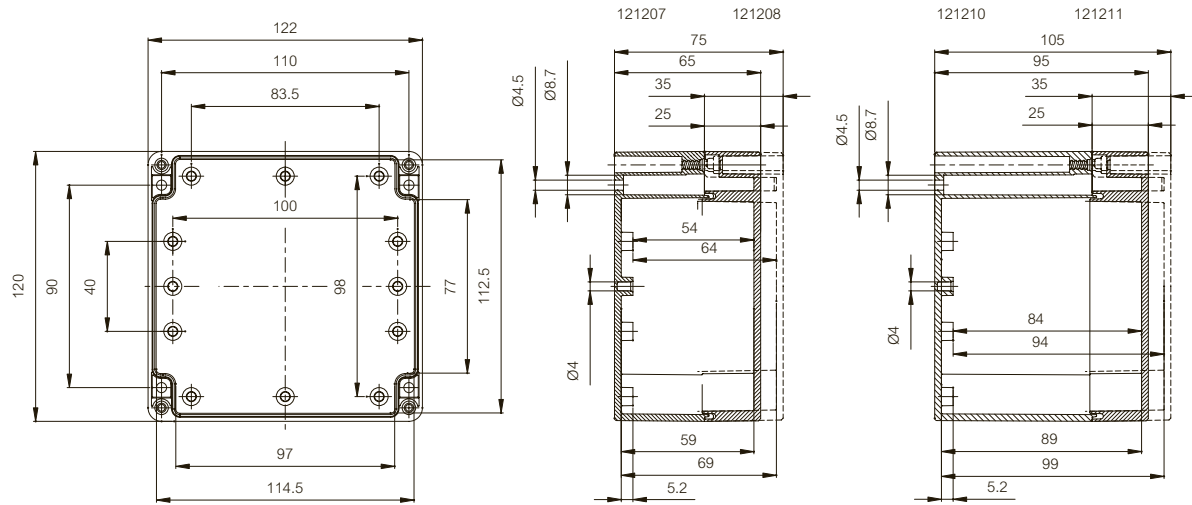


EURONORD PC/ABS 160x80x55-95

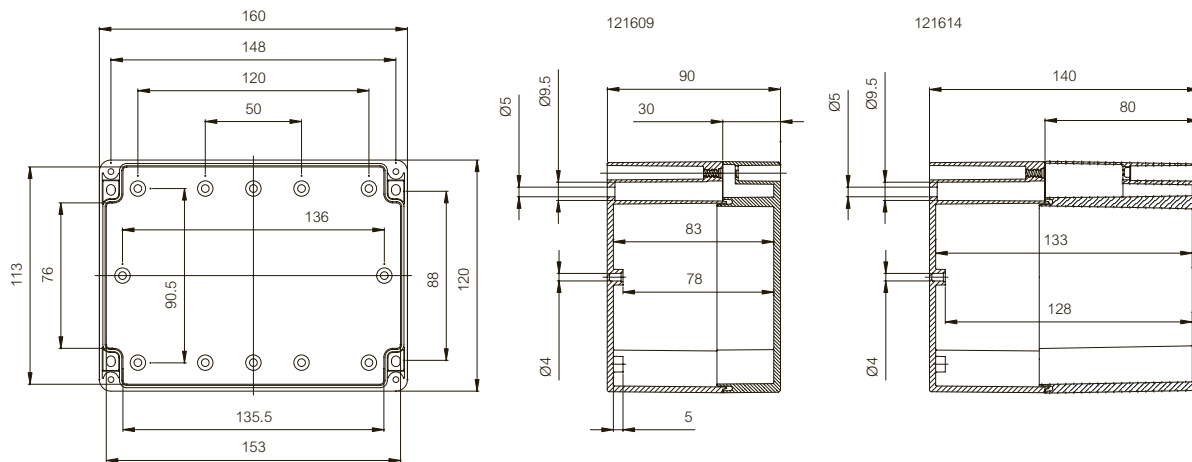


Dimensional drawings

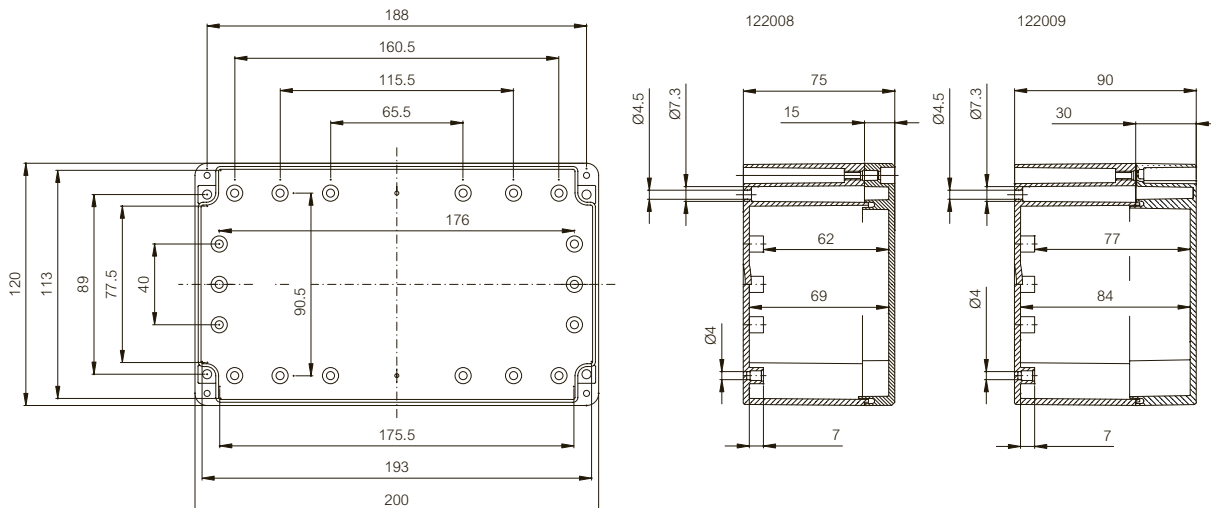
EURONORD PC/ABS 122x120x65-105



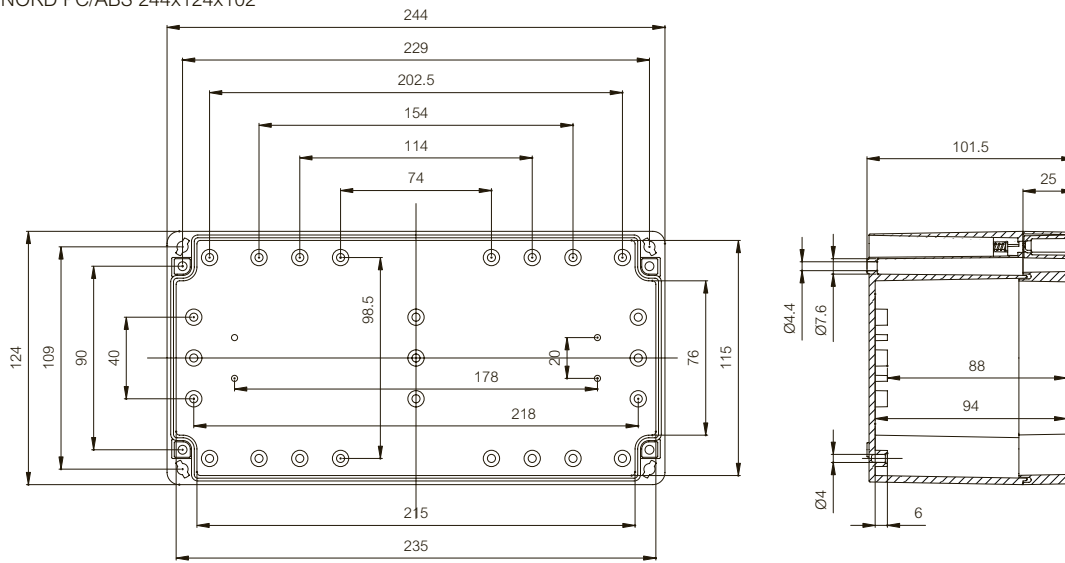
EURONORD PC/ABS 160x120x90-140



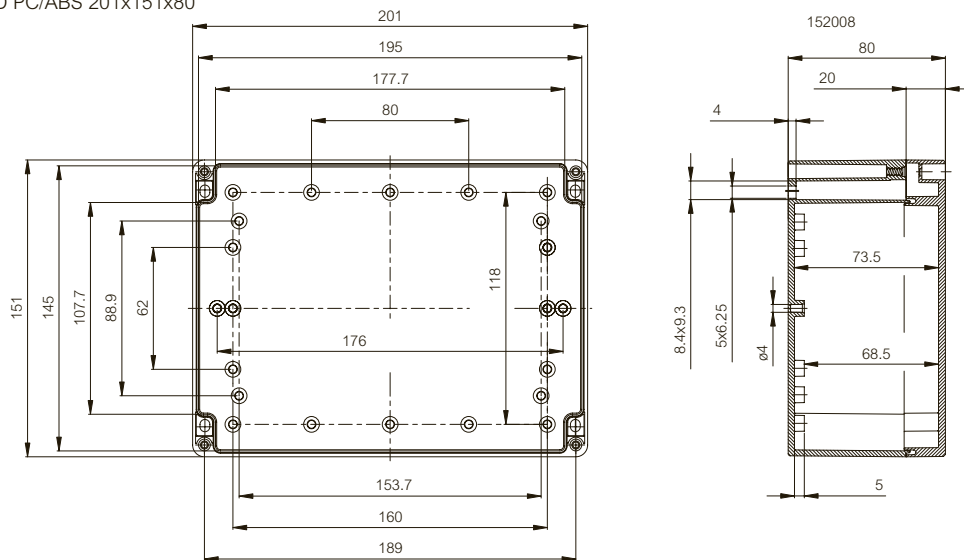
EURONORD PC/ABS 200x120x75-90



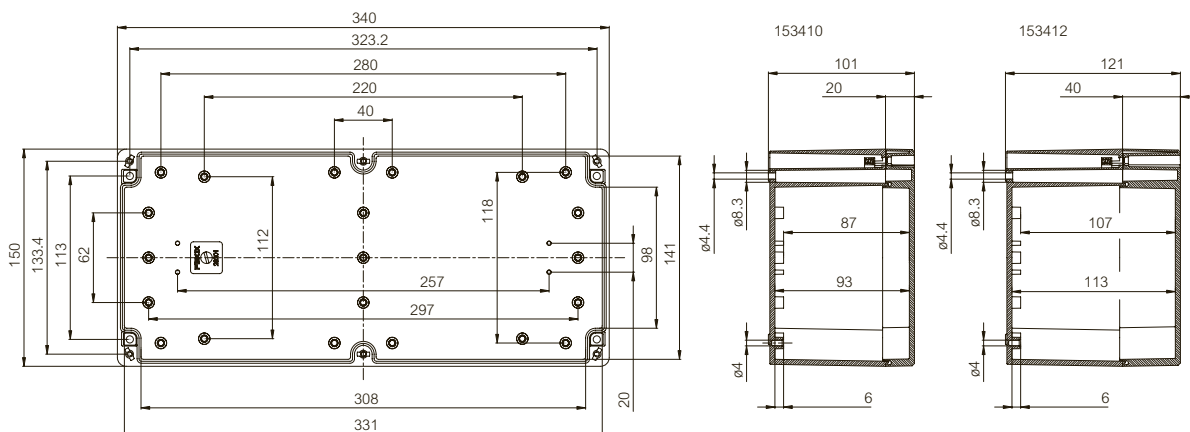
EURONORD PC/ABS 244x124x102



EURONORD PC/ABS 201x151x80



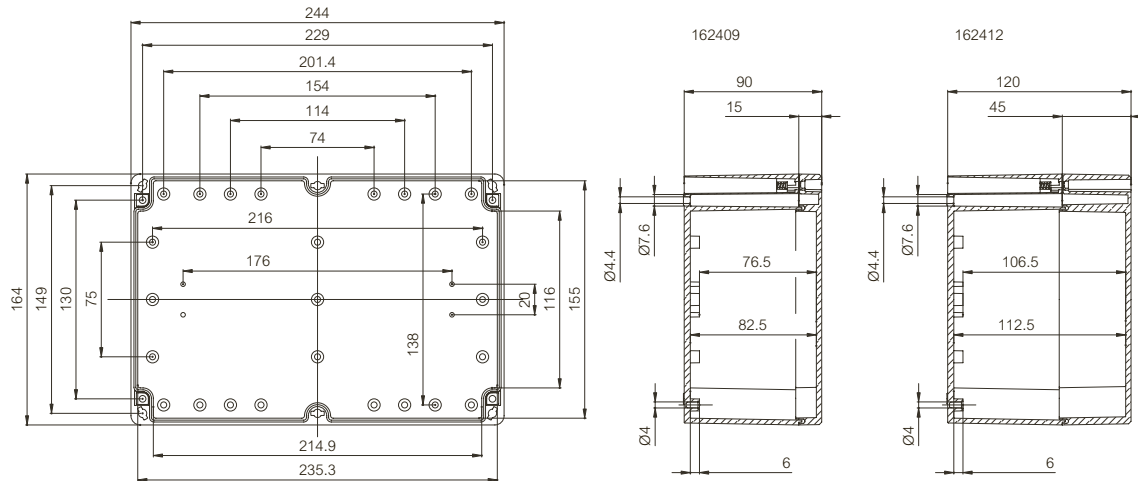
EURONORD PC/ABS 340x150x101-121



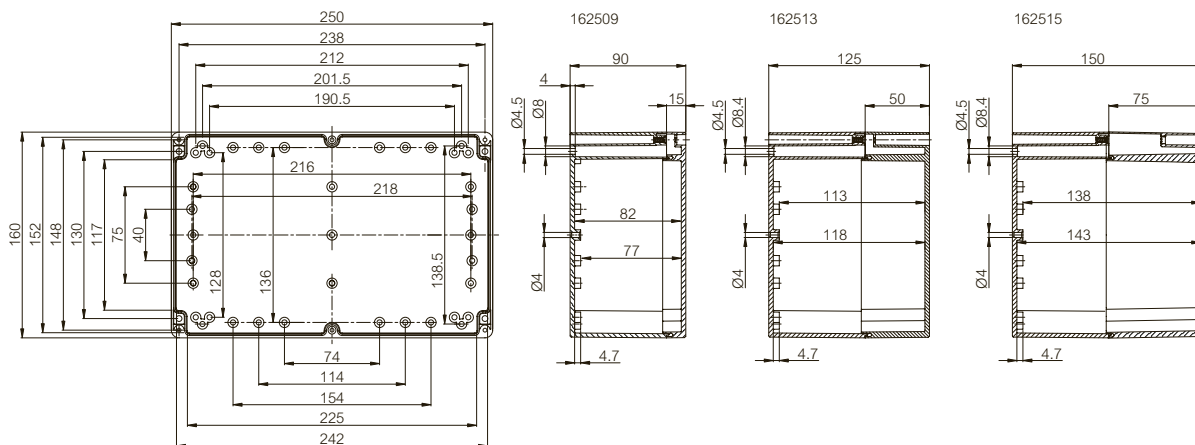
EURONORD PC/ABS

Dimensional drawings

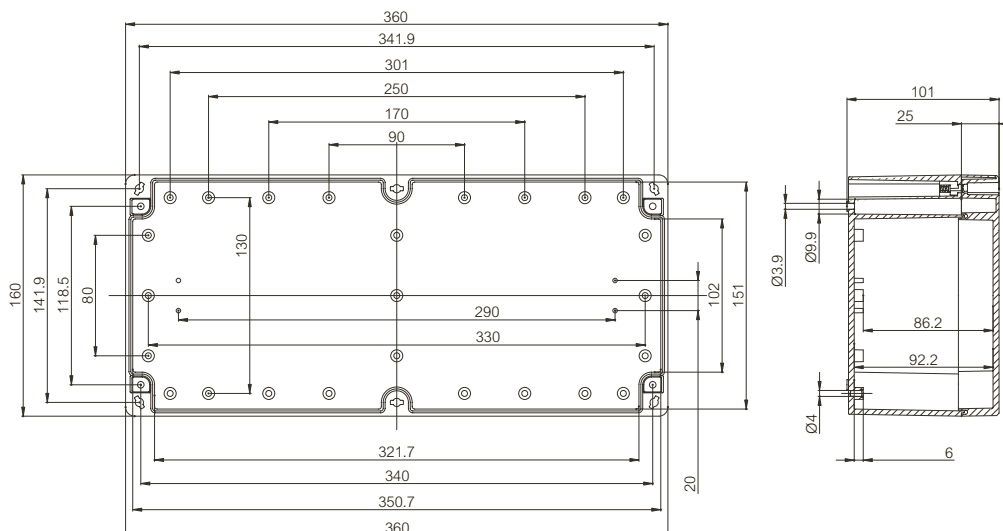
EURONORD PC/ABS 244x164x90-120



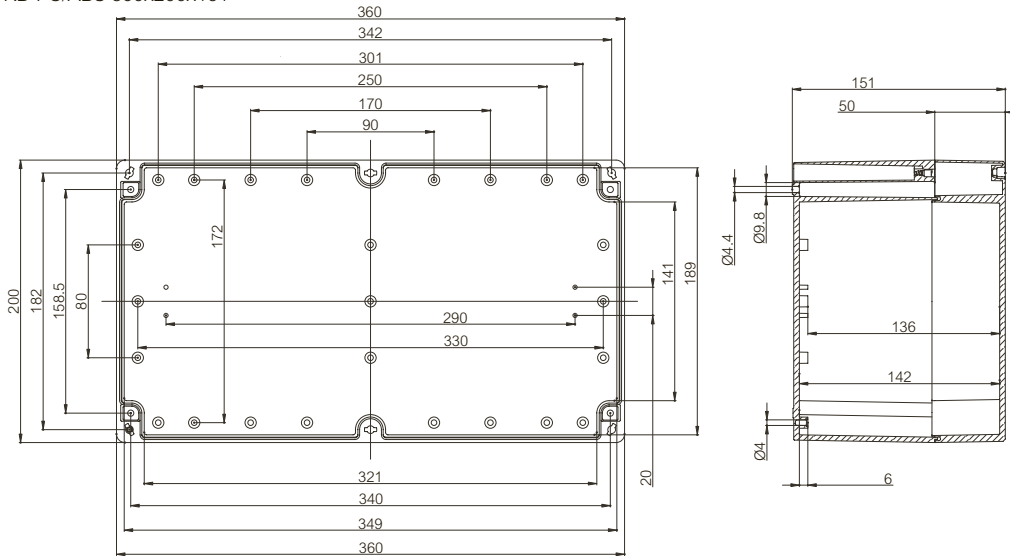
EURONORD PC/ABS 250x160x90-150



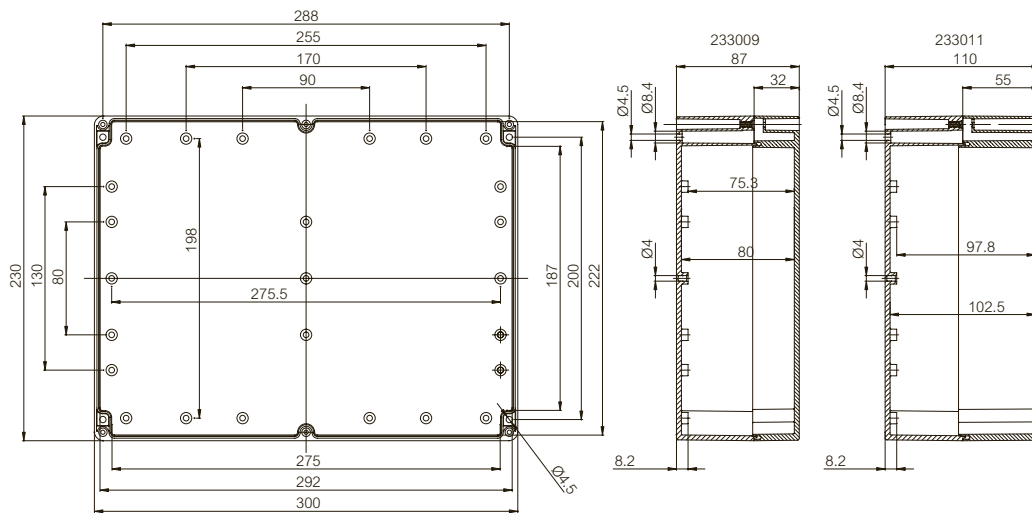
EURONORD PC/ABS 360x160x101



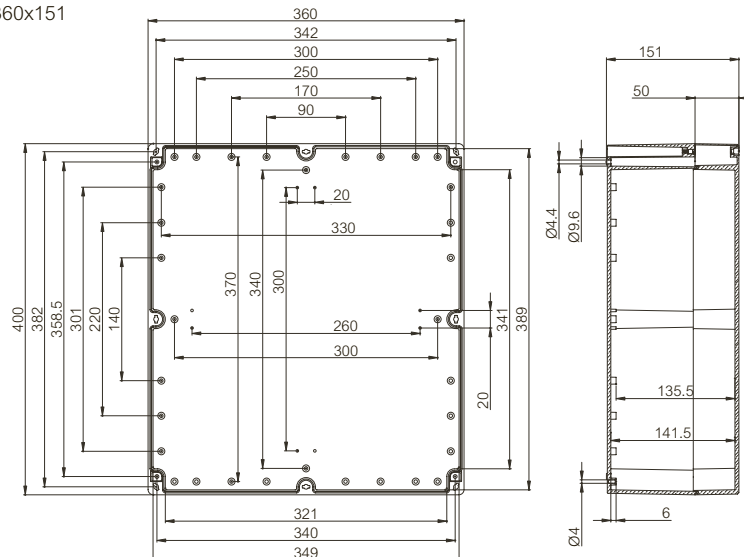
EURONORD PC/ABS 360x200x151



EURONORD PC/ABS 300x230x87-110



EURONORD ABS 400x360x151



FIBOX – Solutions for demanding environments

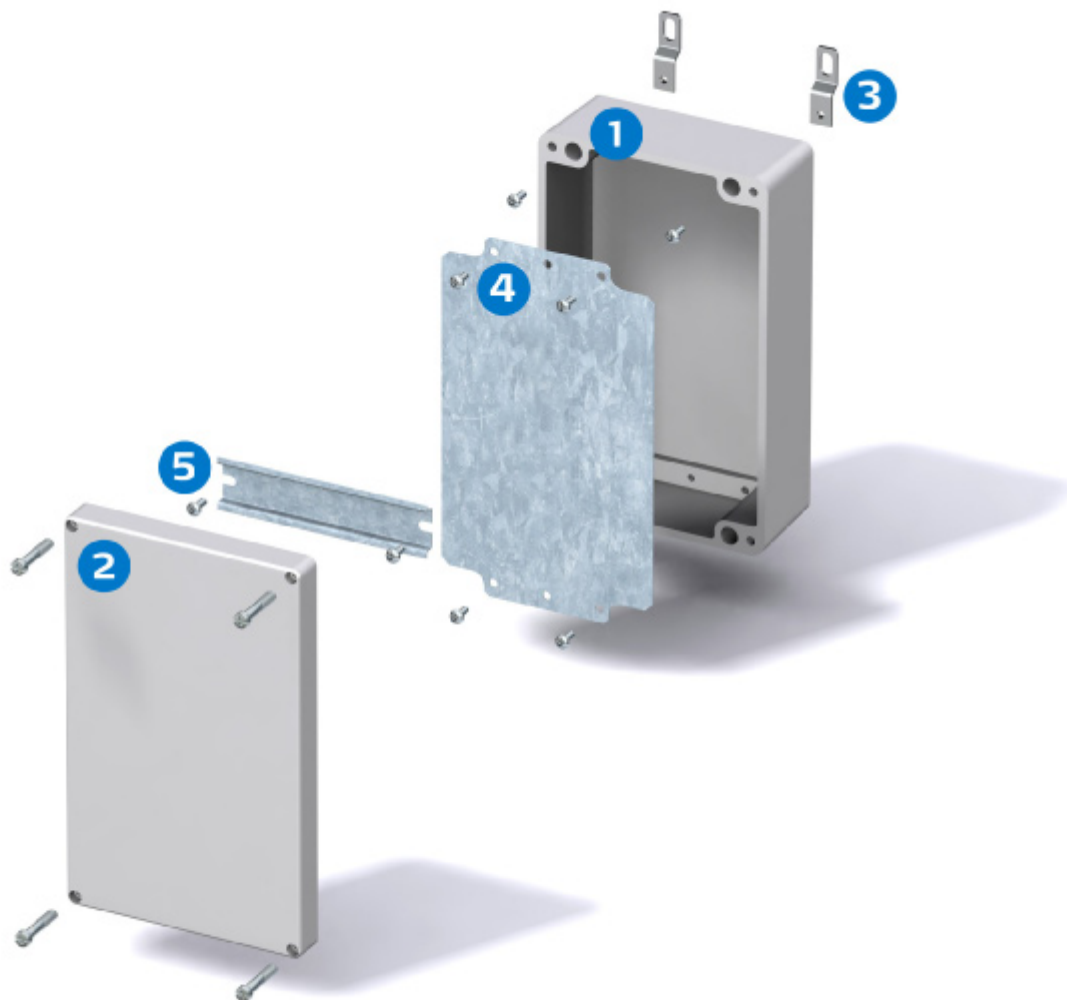




Brings interchangeability

Euronord P enclosures offer a modern appearance with the security of GRP construction. Ideal for safeguarding electrical and electronic components while meeting strict European standards.

Secure protection in the most demanding of environments.



Enclosure

- 1 Base
- 2 Cover, grey

Accessories

- 3 Fastening lugs, 2 pcs. incl. screws
- 4 Mounting plate, electro-galvanised steel
stable and impact-resistant
- 5 DIN rail
different sizes TS 35

EURONORD P

Including: Base, cover with EPDM gasket and stainless steel cover screws.

P: IP66/IP67, IK08

Dimensions	Order Symbol	Code	EAN Code	Description
80x75x55 mm				
	P 080806	7094140	 6 418074 004338	Enclosure, polyester Grey cover
110x75x55 mm				
	P 081106	7094150	 6 418074 004345	Enclosure, polyester Grey cover
160x75x55 mm				
	P 081606	7094170	 6 418074 004352	Enclosure, polyester Grey cover
190x75x55 mm				
	P 081906	7094190	 6 418074 004369	Enclosure, polyester Grey cover

Dimensions	Order Symbol	Code	EAN Code	Description
122x120x90 mm				
	P 121209	7094220	 6 418074 004376	Enclosure, polyester Grey cover
220x120x90 mm				
	P 122209	7094240	 6 418074 004383	Enclosure, polyester Grey cover
160x160x91 mm				
	P 161609	7094280	 6 418074 004390	Enclosure, polyester Grey cover
260x160x92 mm				
	P 162609	7094300	 6 418074 004406	Enclosure, polyester Grey cover

EURONORD P

Including: Base, cover with EPDM gasket and stainless steel cover screws.

P: IP66/IP67, IK08

Dimensions	Order Symbol	Code	EAN Code	Description
361x160x91 mm				
	P 163609	7094320	 6 418074 004413	Enclosure, polyester Grey cover
256x251x121 mm				
	P 252612	7094370	 6 418074 004420	Enclosure, polyester Grey cover
402x250x120 mm				
	P 254012	7094400	 6 418074 004437	Enclosure, polyester Grey cover
406x401x120 mm				
	P 404012	7094450	 6 418074 004444	Enclosure, polyester Grey cover

EURONORD P technical information

Property	Polyester (GRP)
Ingress Protection (EN 60529)	IP 66/IP 67
Impact Resistance (EN 62262)	IK 08
Température Range Celsius (short term) Fahrenheit	-50° . . .120°C -60 . . . 250°F
Température Range Celsius (continuous) Fahrenheit	-40° . . .80°C -40° . . .175°F
Electrical Insulation	Totally insulated ☐
Colour	RAL 7001
Cover Screws	Stainless steel
Gasket	EPDM
Enclosure Flammability Rating	UL 746C 5V
Glow Wire Test (IEC 695-2-1) Self -extinguishing (PC)	960°C
Non-toxicity	Halogen Free
Chemical Resistance *	Good

Confirmity to standards

USA Enclosures for Electrical Equipment
P: NEMA 1, 4, 4X, 12 or 13

Canada Industrial Control Equipment
Enclosures for Electrical Equipment/ULc

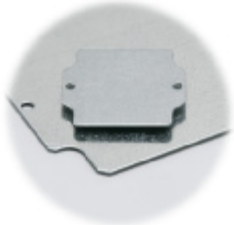












Europe Empty enclosures for low-voltage switchgear and
controlgear assemblies EN 62208:2003














Europe Safety of Information Technology Equipment
EN 60950





RoHS directive 2002/95/EC

Data subject to change without notice.

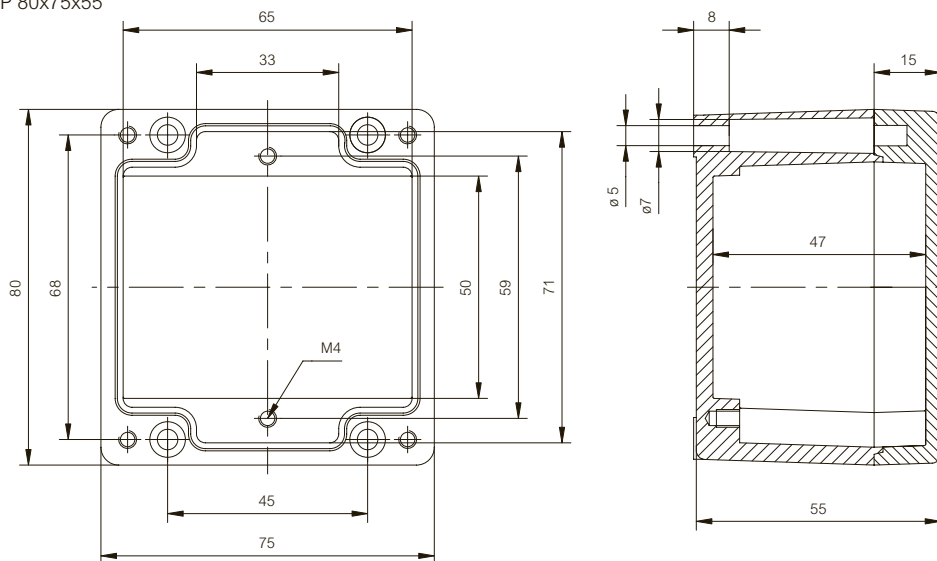
*Consult separate raw material data for more detailed information

	Order symbol	Code	Dimensions	EAN code	Description
Mounting plates (Galvanized steel, sheet thickness 1,5 mm)					
	PM 0808	9823000	69x64	 6 418074 034441	Mounting plate, for enclosures: 80x75x55
	PM 0811	9823001	99x64	 6 418074 034458	Mounting plate, for enclosures: 110x75x55
	PM 0816	9823002	149x64	 6 418074 034465	Mounting plate, for enclosures: 160x75x55
	PM 0819	9823003	179x64	 6 418074 034472	Mounting plate, for enclosures: 190x75x55
	AM 1212	9511150	110x107	 6 418074 033833	Mounting plate, for enclosures: 122x120x90, 125x124x81, 362x125x8
	AM 1222	9511095	207x107	 6 418074 033840	Mounting plate, for enclosures: 220x120x90, 222x125x81, 362x125x81
	PM 1616	9823006	146x146	 6 418074 034489	Mounting plate, for enclosures: 160x160x91
	PM 1626	9823007	244x146	 6 418074 034496	Mounting plate, for enclosures: 260x160x92
	AM 1636	9511175	346x146	 6 418074 033888	Mounting plate, for enclosures: 360x160x90, 361x160x91
	PM 2526	9823009	240x231	 6 418074 035776	Mounting plate, for enclosures: 256x251x121
	PM 2540	9823010	383x231	 6 418074 034519	Mounting plate, for enclosures: 402x250x120
	PM 4040	9823011	385x390	 6 418074 034526	Mounting plate, for enclosures: 406x401x120

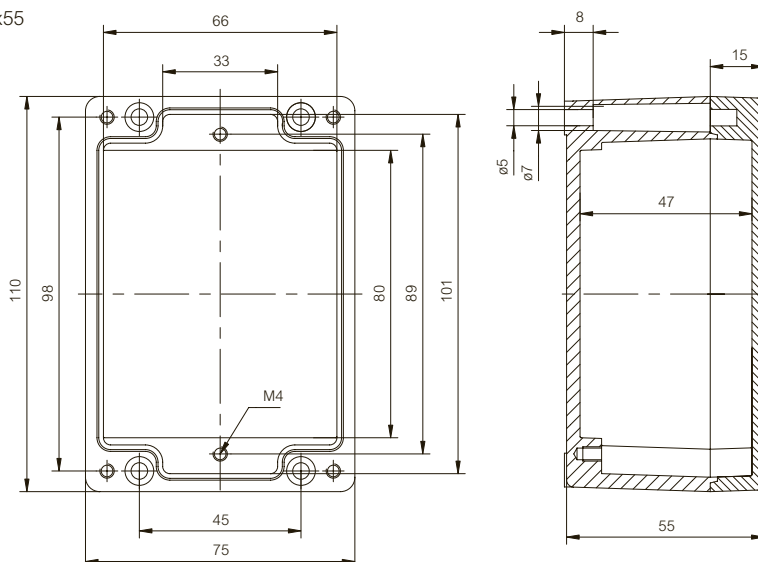
	Order symbol	Code	Dimensions	EAN code	Description
DIN-15 Mounting rails (Galvanized steel, rail height 5,0 mm)					
	TRM 0808	9820004	68x15	 6 418074 034144	DIN-15 Mounting rail, for enclosures: 80x75x55, 82x77x57, 82x80x55-82x80x95, 120x80x55-120x80x90, 160x80x55-160x80x95
	PRM 0811	9820006	99x15	 6 418074 034243	DIN-15 Mounting rail, for enclosures: 110x75x55
	PRM 0816	9820012	149x15	 6 418074 034250	DIN-15 Mounting rail, for enclosures: 160x75x55
	PRM 0819	9820015	179x15	 6 418074 034267	DIN-15 Mounting rail, for enclosures: 190x75x55
DIN-35 Mounting rails (Galvanized steel, rail height 7,5 mm)					
	ARH 12	9822001	105x35	 6 418074 034274	DIN-35 Mounting rail, for enclosures: 122x120x90, 125x124x81, 362x125x81
	ARH 16	9822003	140x35	 6 418074 034281	DIN-35 Mounting rail, for enclosures: 160x160x91, 163x162x91
	ARH 22	9822007	203x35	 6 418074 034298	DIN-35 Mounting rail, for enclosures: 220x120x90, 222x125x81
	PRH 2526	9821007	238x35	 6 418074 034922	DIN-35 Mounting rail, for enclosures: 256x251x121
	ARH 26	9822011	240x35	 6 418074 034304	DIN-35 Mounting rail, for enclosures: 252x81x57, 260x160x92, 263x162x91
	ARH 36	9822015	343x35	 6 418074 034311	DIN-35 Mounting rail, for enclosures: 362x125x81, 361x160x91
	ARH 40	9822017	383x35	 6 418074 034328	DIN-35 Mounting rail, for enclosures: 401x230x110, 401x230x180, 403x310x110, 403x310x180, 402x250x120, 406x401x120

	Order symbol	Code	Dimensions	EAN code	Description
Hinges and wall mounting					
	PH A & AH A/B	9801047		 6 418074 034090	Hinge set
	MRS 28540	7028540	42x11	 6 418074 033741	Wall fastening lug (2 pcs), for enclosures: 66x60x46-252x81x57, 80x75x55-190x75x55
	MRS 28541	7028541	50x15	 6 418074 033758	Wall fastening lug (2 pcs), for enclosures: 125x124x81-600x310x180, 122x120x90-406x401x120

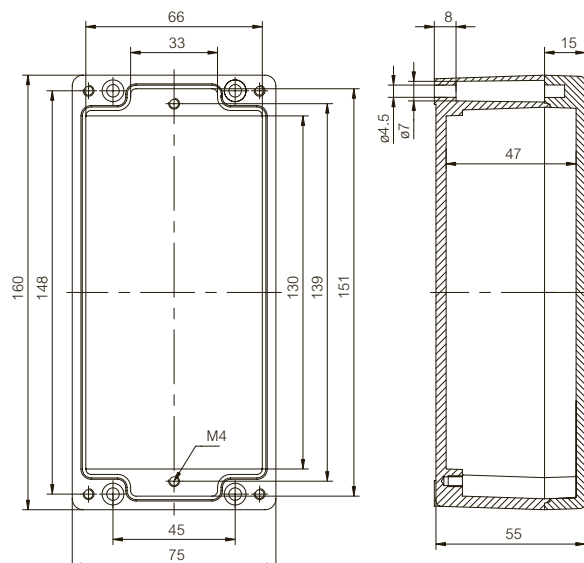
EURONORD P 80x75x55



EURONORD P 110x75x55

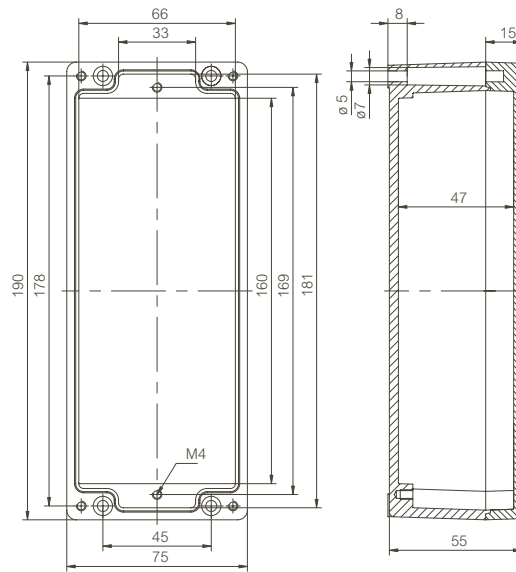


EURONORD P 160x75x55

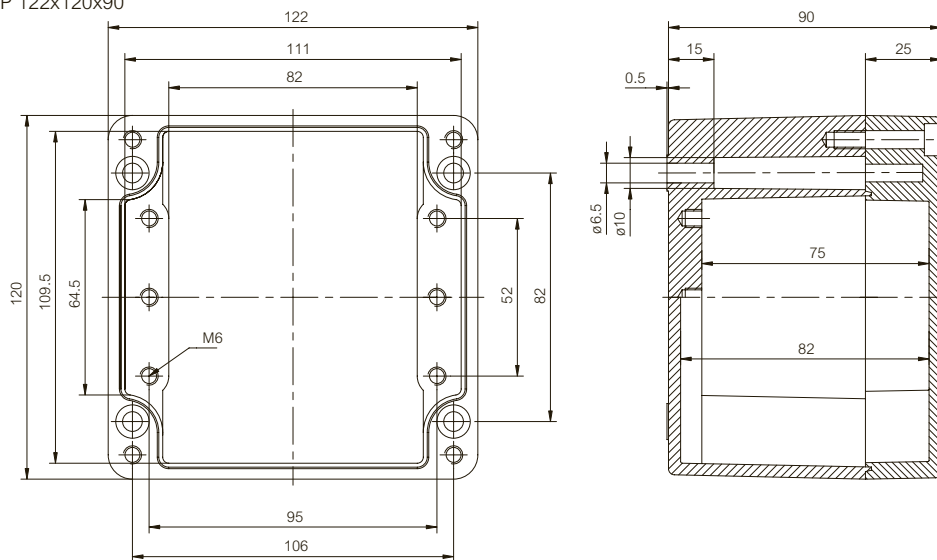


Dimensional drawings

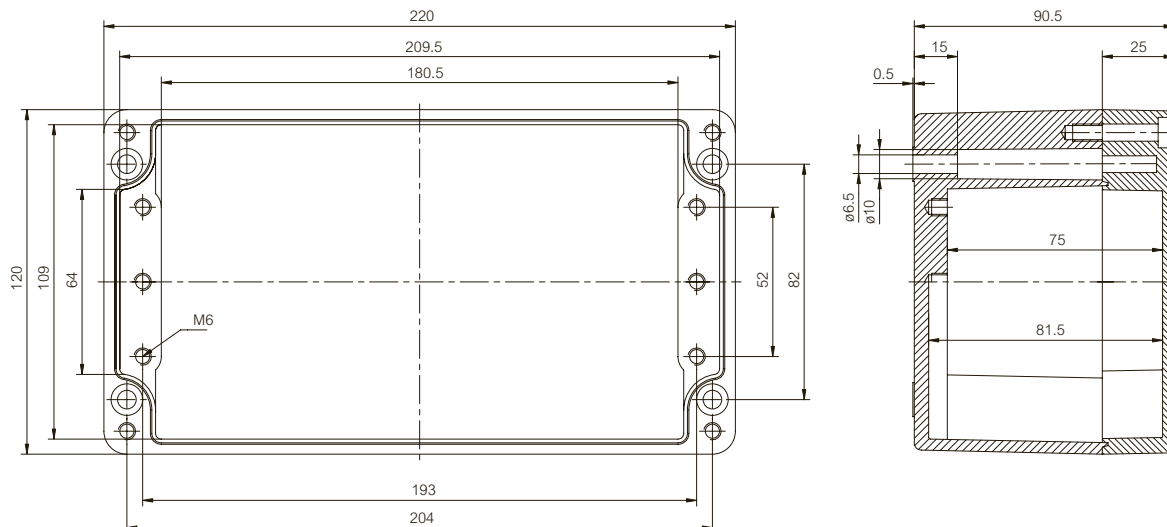
EURONORD P 190x75x55



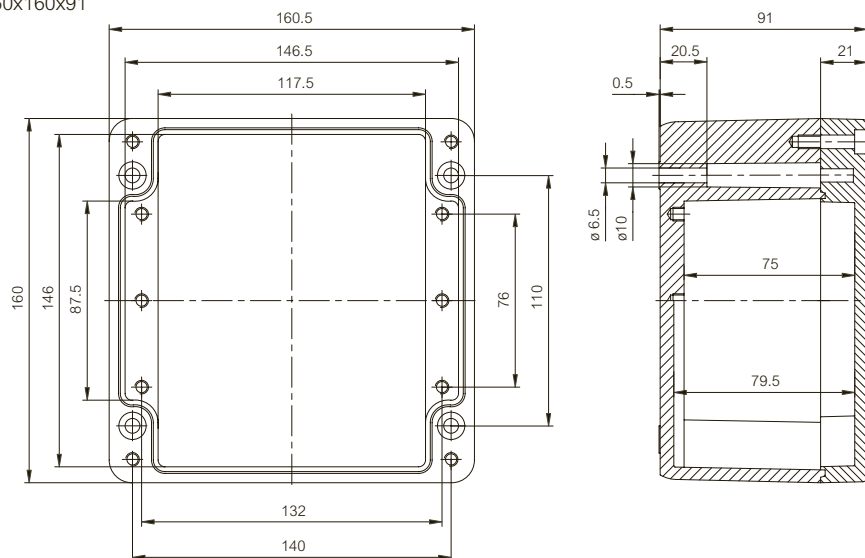
EURONORD P 122x120x90



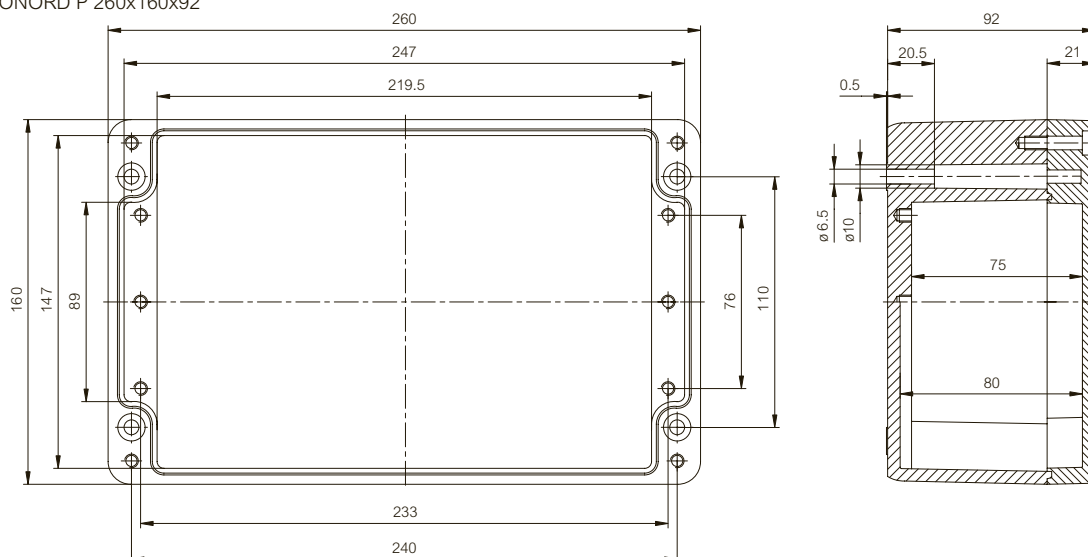
EURONORD P 220x120x90



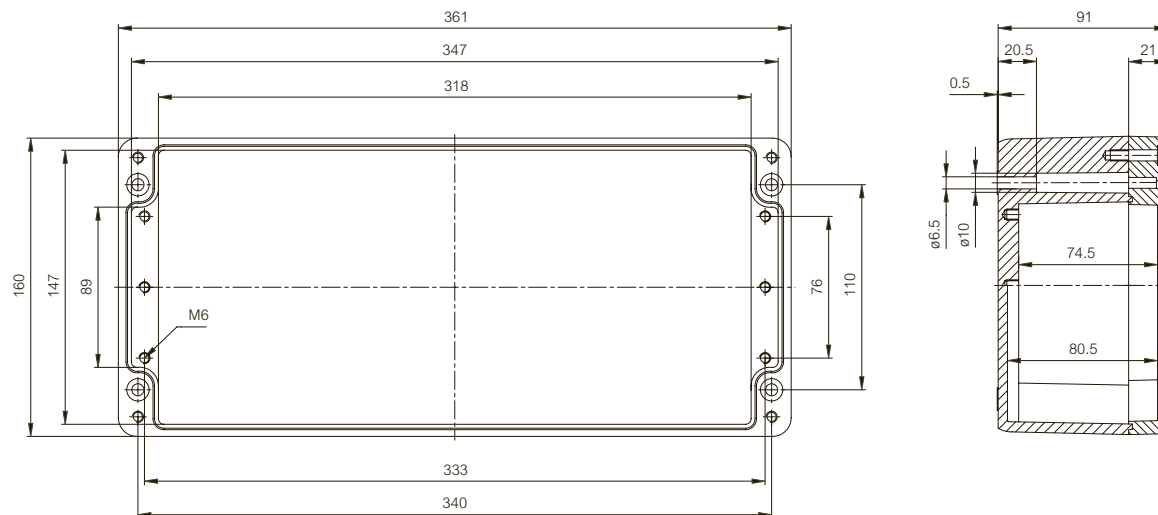
EURONORD P 160x160x91



EURONORD P 260x160x92

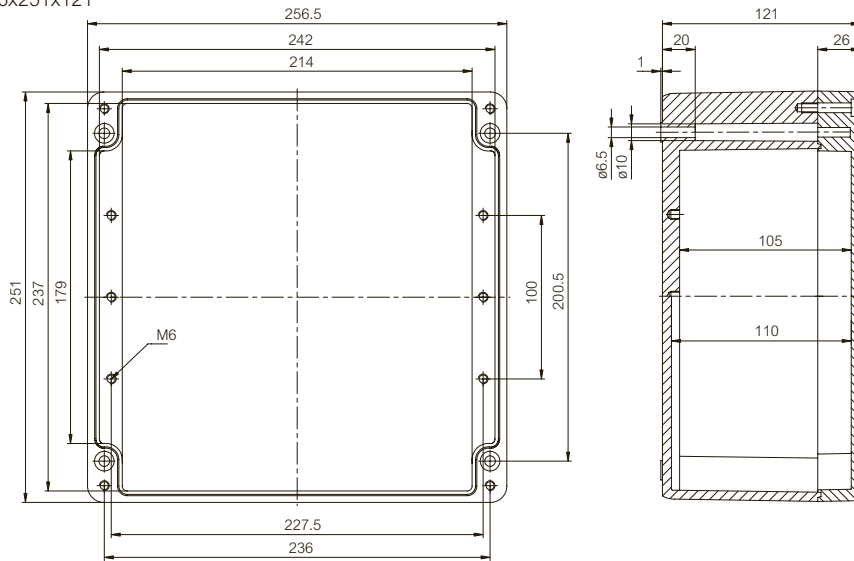


EUNONORD P 361x160x91

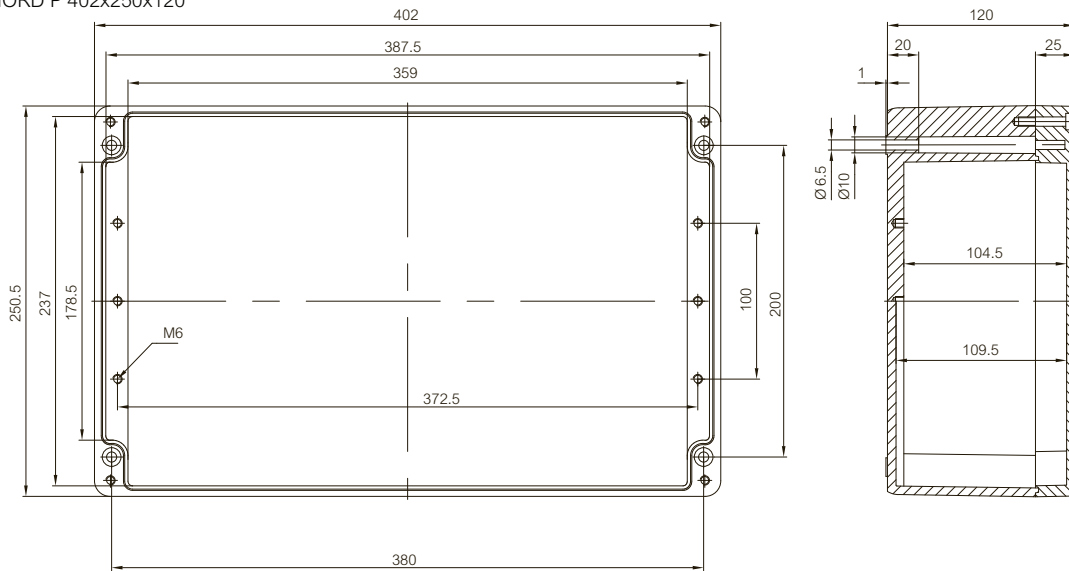


Dimensional drawings

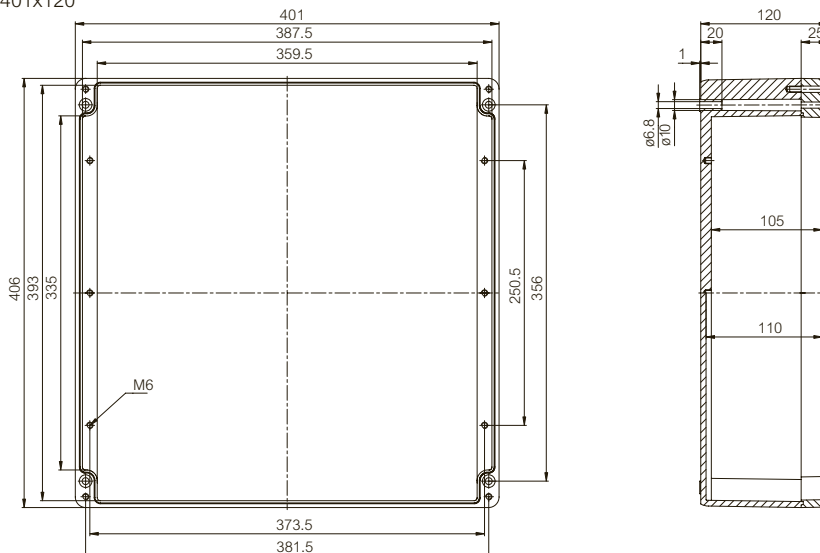
EURONORD P 256x251x121



EURONORD P 402x250x120



EURONORD P 406x401x120

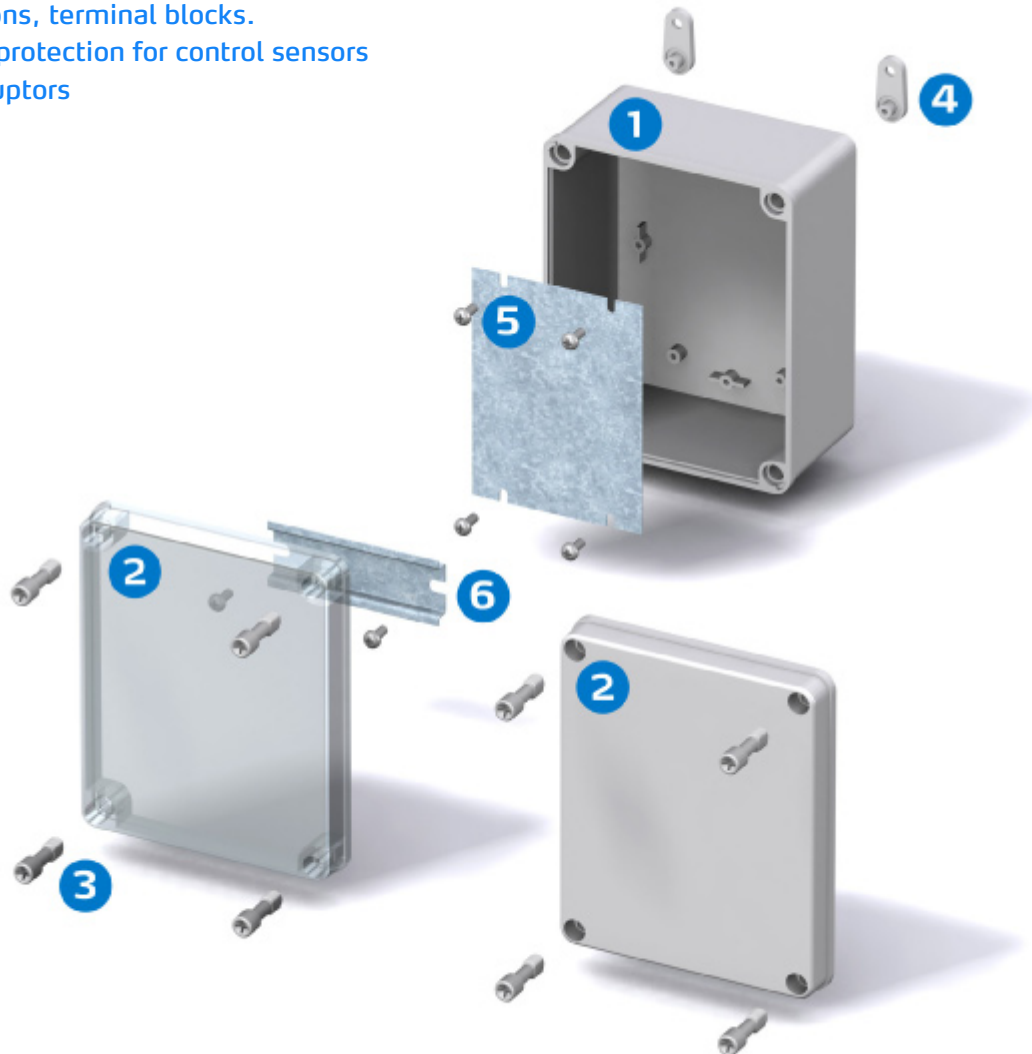




Protective access

Wherever functions, such as push buttons and sensors, need to see the light of day, Piccolo is the neat solution. It's also modular and adaptable, with a range of sizes and accessories.

Secure protection for electronic devices such as push buttons, terminal blocks.
Optimum protection for control sensors and interruptors



Enclosure

- 1 Base
- 2 Cover, grey or transparent
- 3 Cover screws

Accessories

- 4 Fastening lugs, 2 pcs. incl. screws
- 5 Mounting plate, electro-galvanised steel stable and impact-resistant
- 6 DIN rail different sizes TS 35

PICCOLO

Including: Base with screws for mounting plate/DIN-rail, cover with PUR gasket and polyamide cover screws.

PC: IP66/IP67, IK08
ABS: IP66/IP67, IK07

Dimensions	Order Symbol	Code	EAN Code	Description
110x80x65 mm				
	PC B 65 G	8724303	 6 418074 001955	Enclosure, PC Grey cover
	PC B 65 T	8724003	 6 418074 001948	Enclosure, PC Transparent cover
	ABS B 65 G	8784303	 6 418074 001993	Enclosure, ABS Grey cover
	ABS B 65 T	8784003	 6 418074 001986	Enclosure, ABS Transparent cover
110x80x85 mm				
	PC B 85 G	8724304	 6 418074 001979	Enclosure, PC Grey cover
	PC B 85 T	8724004	 6 418074 001962	Enclosure, PC Transparent cover
	ABS B 85 G	8784304	 6 418074 002013	Enclosure, ABS Grey cover
	ABS B 85 T	8784004	 6 418074 002006	Enclosure, ABS Transparent cover
140x80x65 mm				
	PC C 65 G	8724305	 6 418074 002037	Enclosure, PC Grey cover
	PC C 65 T	8724005	 6 418074 002020	Enclosure, PC Transparent cover

Dimensions	Order Symbol	Code	EAN Code	Description
140x80x85 mm				
	PC C 85 G	8724306	 6 418074 002051	Enclosure, PC Grey cover
	PC C 85 T	8724006	 6 418074 002044	Enclosure, PC Transparent cover
	ABS C 85 G	8784306	 6 418074 002099	Enclosure, ABS Grey cover
	ABS C 85 T	8784006	 6 418074 002082	Enclosure, ABS Transparent cover
170x80x65 mm				
	PC D 65 G	8724307	 6 418074 002112	Enclosure, PC Grey cover
	PC D 65 T	8724007	 6 418074 002105	Enclosure, PC Transparent cover
	ABS D 65 G	8784307	 6 418074 002150	Enclosure, ABS Grey cover
	ABS D 65 T	8784007	 6 418074 002143	Enclosure, ABS Transparent cover
170x80x85 mm				
	PC D 85 G	8724308	 6 418074 002136	Enclosure, PC Grey cover
	PC D 85 T	8724008	 6 418074 002129	Enclosure, PC Transparent cover
	ABS D 85 G	8784308	 6 418074 002174	Enclosure, ABS Grey cover
	ABS D 85 T	8784008	 6 418074 002167	Enclosure, ABS Transparent cover

PICCOLO

Including: Base with screws for mounting plate/DIN-rail, cover with PUR gasket and polyamide cover screws.

PC: IP66/IP67, IK08
ABS: IP66/IP67, IK07

Dimensions	Order Symbol	Code	EAN Code	Description
230x80x65 mm				
	PC F 65 G	8724311	 6 418074 002198	Enclosure, PC Grey cover
	PC F 65 T	8724011	 6 418074 002181	Enclosure, PC Transparent cover
	ABS F 65 G	8784311	 6 418074 002235	Enclosure, ABS Grey cover
	ABS F 65 T	8784011	 6 418074 002228	Enclosure, ABS Transparent cover
230x80x85 mm				
	PC F 85 G	8724312	 6 418074 002211	Enclosure, PC Grey cover
	PC F 85 T	8724012	 6 418074 002204	Enclosure, PC Transparent cover
	ABS F 85 G	8784312	 6 418074 002259	Enclosure, ABS Grey cover
	ABS F 85 T	8784012	 6 418074 002242	Enclosure, ABS Transparent cover
170x140x95 mm				
	PC H 95 G	8724315	 6 418074 002273	Enclosure, PC Grey cover
	PC H 95 T	8724015	 6 418074 002266	Enclosure, PC Transparent cover
	ABS H 95 G	8784315	 6 418074 002297	Enclosure, ABS Grey cover
	ABS H 95 T	8784015	 6 418074 002280	Enclosure, ABS Transparent cover

Dimensions	Order Symbol	Code	EAN Code	Description
230x140x95 mm				
	PC M 95 G	8724318	 6 418074 002310	Enclosure, PC Grey cover
	PC M 95 T	8724018	 6 418074 002303	Enclosure, PC Transparent cover
	ABS M 95 G	8784318	 6 418074 002334	Enclosure, ABS Grey cover
	ABS M 95 T	8784018	 6 418074 002327	Enclosure, ABS Transparent cover
230x140x125 mm				
	PC MH 125 G	8724319	 6 418074 054586	Enclosure, PC Grey cover
	PC MH 125 T	8724019	 6 418074 054579	Enclosure, PC Transparent cover
	ABS MH 125 G	8784319	 6 418074 054609	Enclosure, ABS Grey cover
	ABS MH 125 T	8784019	 6 418074 054593	Enclosure, ABS Transparent cover

PICCOLO technical information

Property	Polycarbonate (PC)	ABS
Ingress Protection (EN 60529)	IP 66/IP 67	IP 66/IP 67
Impact Resistance (EN 62262)	IK 08	IK 07
Temperature Range Celsius (short term) Fahrenheit	-40° . . 120°C -40° . . 250°F	-40° . . 80°C -40° . . 175°F
Temperature Range Celsius (continuous) Fahrenheit	-40° . . 80°C -40° . . 175°F	-40° . . 60°C -40° . . 140°F
Electrical Insulation	Totally insulated ☐	Totally insulated ☐
Light Grey Parts Colour	RAL 7035 Industry Grey	RAL 7035 Industry Grey
Transparent Clear PC Cover	Clear transparent	Clear transparent
Cover Screws	RAL 7035	RAL 7035
Cover Screws	Polyamide (PA)	Polyamide (PA)
Gasket	PUR	PUR
Enclosure Flammability Rating	UL 746C 5V*	
Glow Wire Test (IEC 695-2-1) Self-extinguishing (PC)	960°C	650°C
Non-toxicity	Halogen Free	Halogen Free
UV resistance	UL 508 720 hours in "Weatherometer"	
Chemical Resistance **	Good	Good

Conformity to standards

USA Enclosures for Electrical Equipment
PC: UL Type 1, 4X, 6, 12 or 13; UL File E75645 Vol 1 Sec 3;
UL 746C-5VA flame test (UL 50/508)*
ABS: NEMA 1, 4X, 6, 12 or 13

Canada Industrial Control Equipment
Enclosures for Electrical Equipment/ULc*

Europe Empty enclosures for low-voltage switchgear and
controlgear assemblies EN 62208:2003

Europe Safety of Information Technology Equipment
EN 60950
RoHS directive 2002/95/EC







Russia GostR - Gost Russian certificate of conformity

*UL label on request

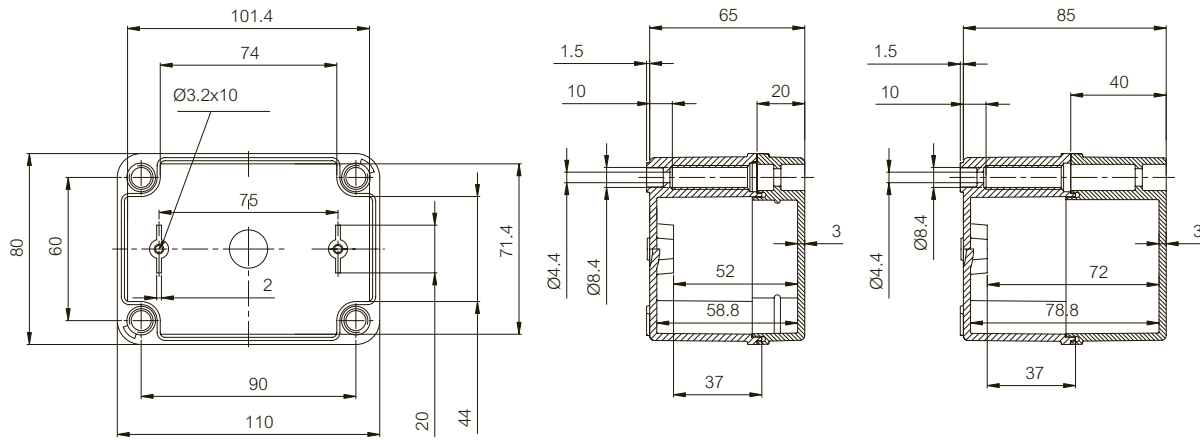
Data subject to change without notice.

**Consult separate raw material data for more detailed information

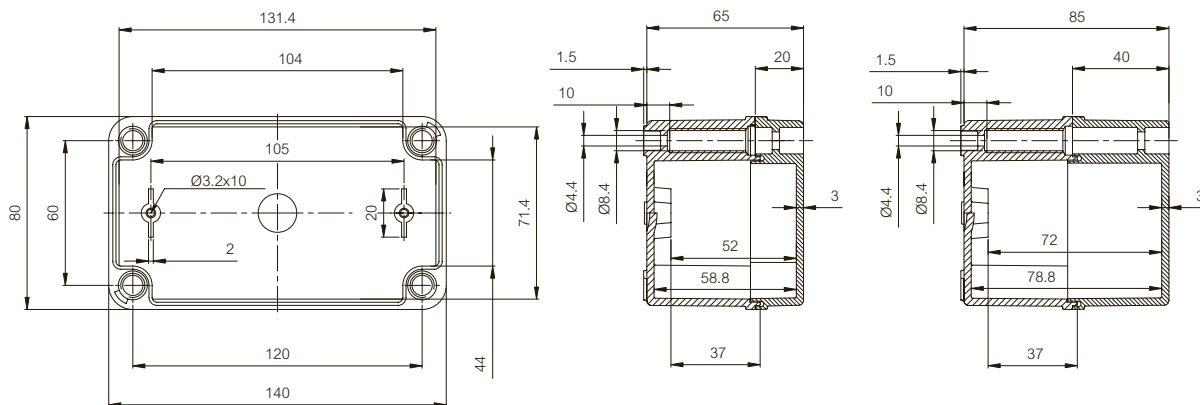
	Order symbol	Code	Dimensions	EAN code	Description
Mounting plates (Galvanized steel, sheet thickness 1,5 mm)					
	B-MP	8524060	54x80	 6 418074 033574	Mounting plate, for enclosures: 110x80x65, 110x80x85
	C-MP	8524061	54x110	 6 418074 033581	Mounting plate, for enclosures: 140x80x65, 140x80x85
	D-MP	8524062	54x140	 6 418074 033598	Mounting plate, for enclosures: 170x80x65, 170x80x85
	F-MP	8524063	54x200	 6 418074 033604	Mounting plate, for enclosures: 230x80x65, 230x80x85
	H-MP	8524064	94x125	 6 418074 033611	Mounting plate, for enclosures: 170x140x95
	M-MP	8524065	94x185	 6 418074 033628	Mounting plate, for enclosures: 230x140x95, 230x140x125
DIN-35 Mounting rails (Galvanized steel, rail height 7,5 mm)					
	B-3	8524030	80x35	 6 418074 033499	DIN-35 Mounting rail, for enclosures: 100x100x35-100x100x75, 110x80x65, 110x80x85
	CHM-3	8524031	110x35	 6 418074 033505	DIN-35 Mounting rail, for enclosures: 140x80x65, 140x80x85, 170x140x95, 230x140x95
	DH-3	8524032	140x35	 6 418074 033512	DIN-35 Mounting rail, for enclosures: 170x80x65, 170x80x85, 170x140x95
	FM-3	8524033	200x35	 6 418074 033529	DIN-35 Mounting rail, for enclosures: 230x80x65, 230x80x85, 230x140x95, 230x140x125
Hinges and wall mounting					
	PA 22039	8522339		 6 418074 033468	Hinges (2 pcs) incl. screws
	TH A	9802001		 6 418074 034120	Grey plastic hinges (2 pcs) incl. mounting screws
	FP 22040	8522340		 6 418074 033475	Wall fastening lug (2 pcs), for enclosures: 110x80x65-230x80x85
	FP 22046	8522346		 6 418074 033482	Wall fastening lug (4 pcs) incl. screws

	Order symbol	Code	Dimensions	EAN code	Description
Cover and mounting screws					
	S-20	8522001		 6 418074 033444	Cover screw, grey, polyamide for 20mm cover
	S-40	8522002		 6 418074 033451	Cover screw, grey, polyamide for 40mm cover
	MB S-20KN	8524001		 6 418074 036179	Screw set 4x S-20 + 4x KN 3.9x9.5
	MB S-40KN	8524002		 6 418074 036186	Screw set 4x S-40 + 4x KN 3.9x9.5
	KN 3.9x9.5	5514042		 6 418074 039477	Mounting screw

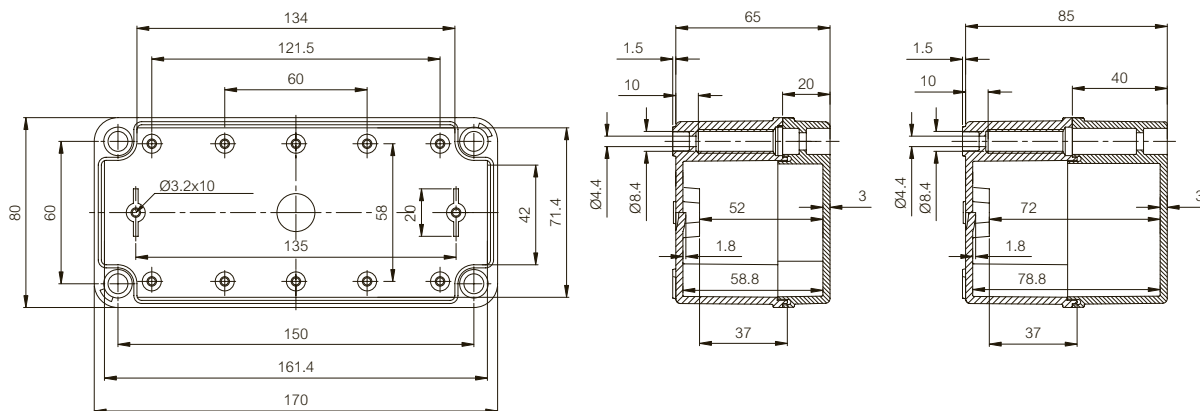
PICCOLO 110x80x65-85



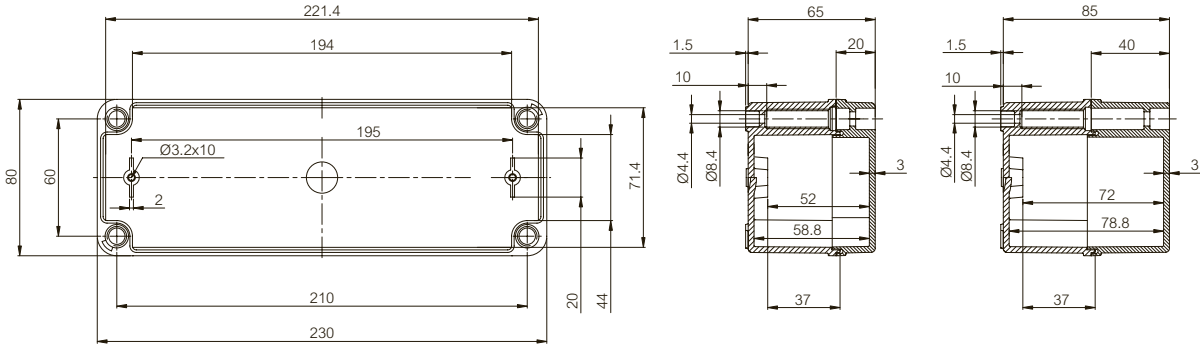
PICCOLO 140x80x65-85



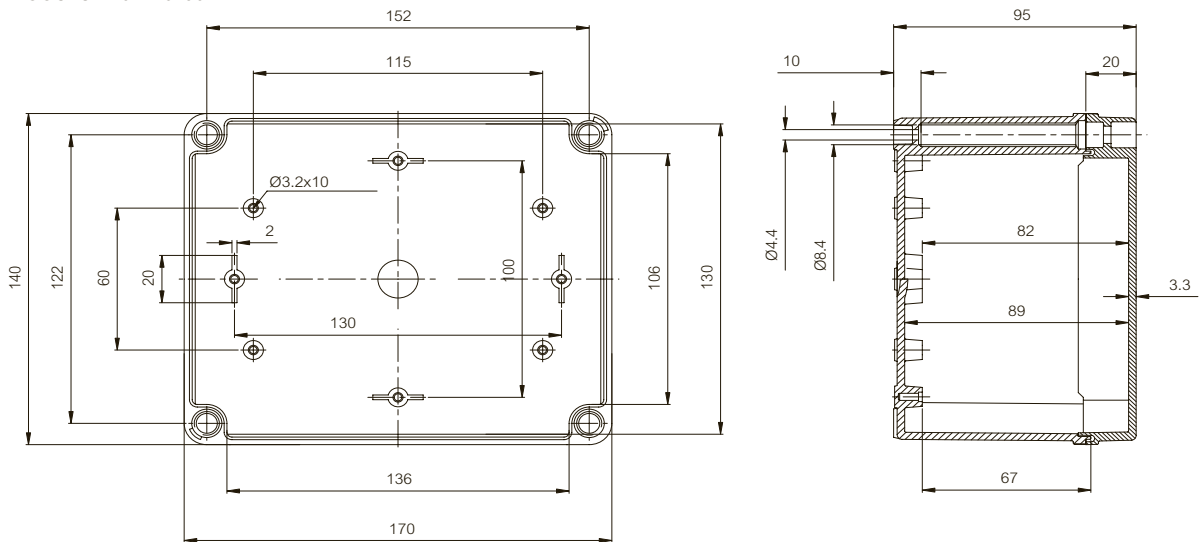
PICCOLO 170x80x65-85



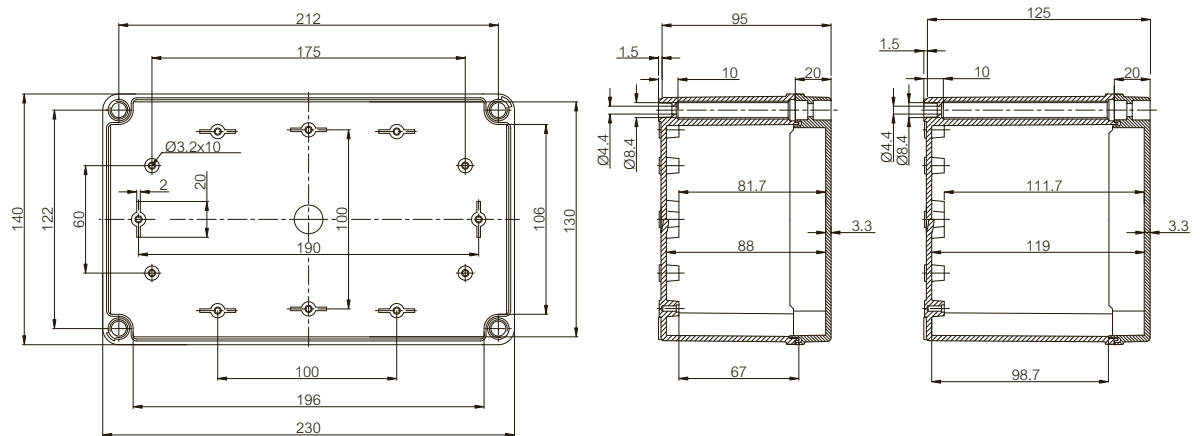
PICCOLO 230x80x65-85



PICCOLO 170x140x95



PICCOLO 230x140x95-125



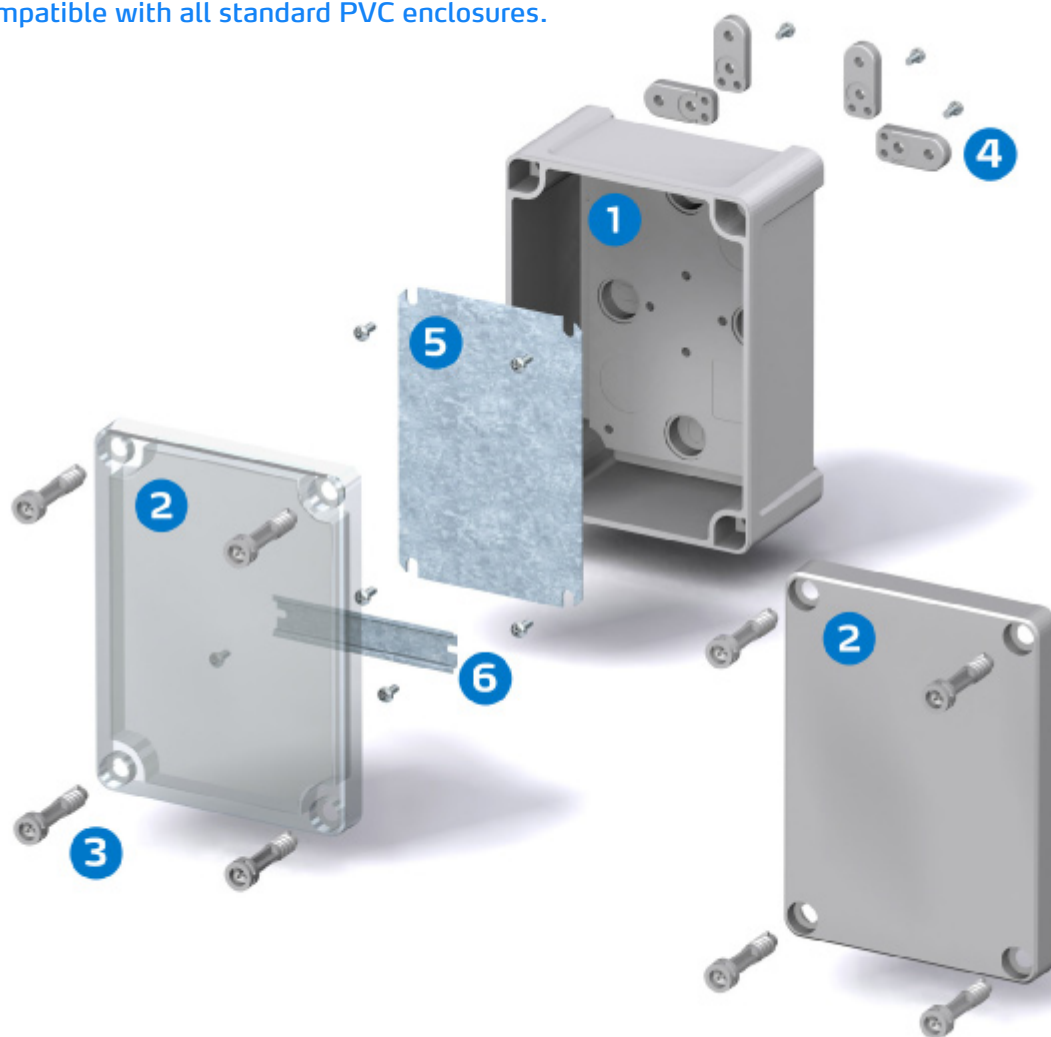




Enclosed in seconds!

As its name suggests, Tempo doesn't like to hang around. Need an enclosure that's easy on the pocket and installed in seconds, but still gets the job done? Tempo does all this and still meets high, recognised standards.

Quickly assembled with rapid hinge,
compatible with all standard PVC enclosures.



Enclosure

- 1 Base
- 2 Cover, grey or transparent
- 3 Cover screws
- holding hinge, transparent

Accessories

- 4 Fastening lugs (set)
- 5 Mounting plate, Pertinax or steel, galvanised
- 6 DIN rail TS 15 / TS 35

TEMPO

Including: Base with PUR gasket and screws for mounting plate/DIN-rail, cover with polyamide cover screws and plastic hinges(201610-342912).

ABS: IP65, IK07

Dimensions	Order Symbol	Code	EAN Code	Description
95x65x60 mm				
	TA090706	5814038	 6 418074 011466	Enclosure, ABS Grey cover
	TAM090706	5814020	 6 418074 011428	Enclosure, ABS, metric knock-outs Grey cover
110x110x65 mm				
	TA111107	5814039	 6 418074 011473	Enclosure, ABS Grey cover
	TAM111107	5814021	 6 418074 011435	Enclosure, ABS, metric knock-outs Grey cover
130x95x65 mm				
	TA131007	5814040	 6 418074 011480	Enclosure, ABS Grey cover
	TAM131007	5814022	 6 418074 011442	Enclosure, ABS, metric knock-outs Grey cover
130x130x75 mm				
	TA131308	5814041	 6 418074 011497	Enclosure, ABS Grey cover
	TAM131308	5814023	 6 418074 011459	Enclosure, ABS, metric knock-outs Grey cover

Dimensions	Order Symbol	Code	EAN Code	Description
187x122x90 mm				
	TA191209	5814000	 6 418074 060723	Enclosure, ABS Grey cover
	TAM191209	5814024	 6 418074 062666	Enclosure, ABS, metric knock-outs Grey cover
	TA191209T	5814005	 6 418074 060778	Enclosure, ABS Clear transparent cover
	TAM191209T	5814029	 6 418074 062680	Enclosure, ABS, metric knock-outs Clear transparent cover
201x163x98 mm				
	TA201610	5814001	 6 418074 060730	Enclosure, ABS Grey cover
	TAM201610	5814025	 6 418074 062673	Enclosure, ABS, metric knock-outs Grey cover
	TA201610T	5814006	 6 418074 060785	Enclosure, ABS Clear transparent cover
	TAM201610T	5814030	 6 418074 062697	Enclosure, ABS, metric knock-outs Clear transparent cover
240x191x107 mm				
	TA241911	5814002	 6 418074 060747	Enclosure, ABS Grey cover
	TA241911T	5814007	 6 418074 060792	Enclosure, ABS Clear transparent cover

TEMPO

Including: Base with PUR gasket and screws for mounting plate/DIN-rail, cover with polyamide cover screws and plastic hinges(201610-342912).

ABS: IP65, IK07

Dimensions	Order Symbol	Code	EAN Code	Description
289x239x107 mm				
	TA292411	5814003	 6 418074 060754	Enclosure, ABS Grey cover
	TA292411T	5814008	 6 418074 060808	Enclosure, ABS Clear transparent cover
344x289x117 mm				
	TA342912	5814004	 6 418074 060761	Enclosure, ABS Grey cover
	TA342912T	5814009	 6 418074 060815	Enclosure, ABS Clear transparent cover

TEMPO technical information

Property	ABS
Ingress Protection (EN 60529)	IP 65
Impact Resistance (EN 62262)	IK 07
Temperature Range Celsius (short term)	-40° . . .80°C
Temperature Range Celsius (continuous)	-40° . . .175°F
Temperature Range Celsius (short term)	-40° . . .60°C
Temperature Range Celsius (continuous)	-40° . . .140°F
Electrical Insulation	Totally insulated ☐
Light Grey Parts Colour	RAL 7035 Industry Grey
Transparent Clear PC Cover	Clear transparent
Cover Screws	Grey
Cover Screws	Polyamide (PA)
Gasket	PUR
Enclosure Flammability Rating	UL 746C 5V
Glow Wire Test (IEC 695-2-1) Self-extinguishing (PC)	650°C
Non-toxicity	Halogen Free
Chemical Resistance *	Good

Conformity to standards

Europe Empty enclosures for low-voltage switchgear and controlgear assemblies
EN 62208:2003
RoHS directive 2002/95/EC

Data subject to change without notice.

*Consult separate raw material data for more detailed information

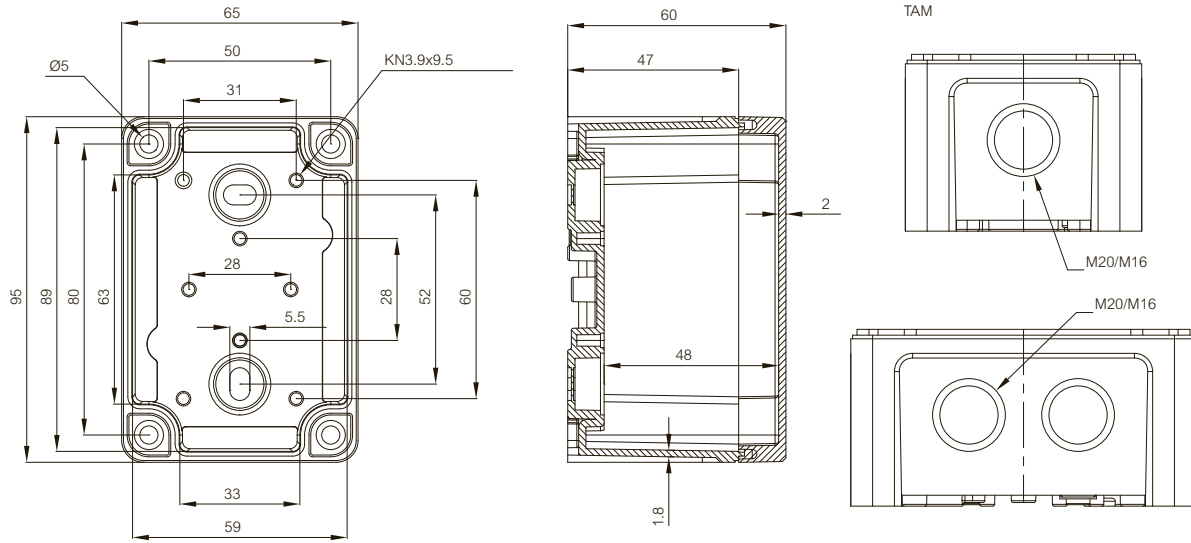
	Order symbol	Code	Dimensions	EAN code	Description
Mounting plates (Galvanized steel, sheet thickness 1,5 mm)					
	MP 0907	5518060	44x60	 6 418074 011350	Mounting plate, for enclosures: 95x65x60
	MP 1111	5518061	85x90	 6 418074 011367	Mounting plate, for enclosures: 110x110x65
	MP 1310	5518062	70x105	 6 418074 011374	Mounting plate, for enclosures: 130x95x65
	MP 1313	5518063	108x108	 6 418074 011381	Mounting plate, for enclosures: 130x130x75
	MP 1912	5518022	100x140	 6 418074 061119	Mounting plate, for enclosures: 187x122x90
	MP 2016	5518023	140x155	 6 418074 061126	Mounting plate, for enclosures: 201x163x98
	MP 2419	5518024	160x210	 6 418074 061133	Mounting plate, for enclosures: 240x191x107
	MP 2924	5518025	215x265	 6 418074 061140	Mounting plate, for enclosures: 289x239x107
	MP 3429	5518026	265x315	 6 418074 061157	Mounting plate, for enclosures: 344x289x117
DIN-35 Mounting rails (Galvanized steel, rail height 7,5 mm)					
	DRM 50	5518064	50x15	 6 418074 009791	DIN-15 Mounting rail, for enclosures: 95x65x60
	DRM 80	5518065	80x15	 6 418074 009807	DIN-15 Mounting rail, for enclosures: 110x110x65
	DRM 100	5518066	100x15	 6 418074 009814	DIN-15 Mounting rail, for enclosures: 130x95x65, 130x130x75
	MIV 10	5514082	100x35	 6 418074 033192	DIN-35 Mounting rail, for enclosures: 130x80x35-180x130x175
	DH-3	8524032	140x35	 6 418074 033512	DIN-35 Mounting rail, for enclosures: 170x80x65, 170x80x85, 170x140x95

	Order symbol	Code	Dimensions	EAN code	Description
	EKV 12	3770647	160x35	 6 418074 031969	DIN-35 Mounting rail, for enclosures: 190x190x130-380x190x180
	DR 210	5518027	210x35	 6 418074 061164	DIN-35 Mounting rail, for enclosures: 240x191x107
	DR 215	5518029	215x35	 6 418074 061188	DIN-35 Mounting rail, for enclosures: 289x239x107
	ARH 2328	9822012	260x35	 6 418074 034373	DIN-35 Mounting rail, for enclosures: 280x230x110
	DR 265	5518028	265x35	 6 418074 061171	DIN-35 Mounting rail, for enclosures: 289x239x107
	DR 316	5518030	316x35	 6 418074 061195	DIN-35 Mounting rail, for enclosures: 344x289x117
Hinges and wall mounting					
	TH T	5510021		 6 418074 061911	Hinge set (2 pcs)
	FP 10674	5510674		 6 418074 033079	Wall fastening lug (2 pcs) incl. screws
	FEP 26150	7366150		 6 418074 015389	Wall fastening cover plug
Cover screws					
	MBS HH	6300004		 6 418074 023414	High cover (25-100 mm) High base (50-125 mm)
	MBS 18020	5510020		 6 418074 061898	Cover screw set (4 pcs)

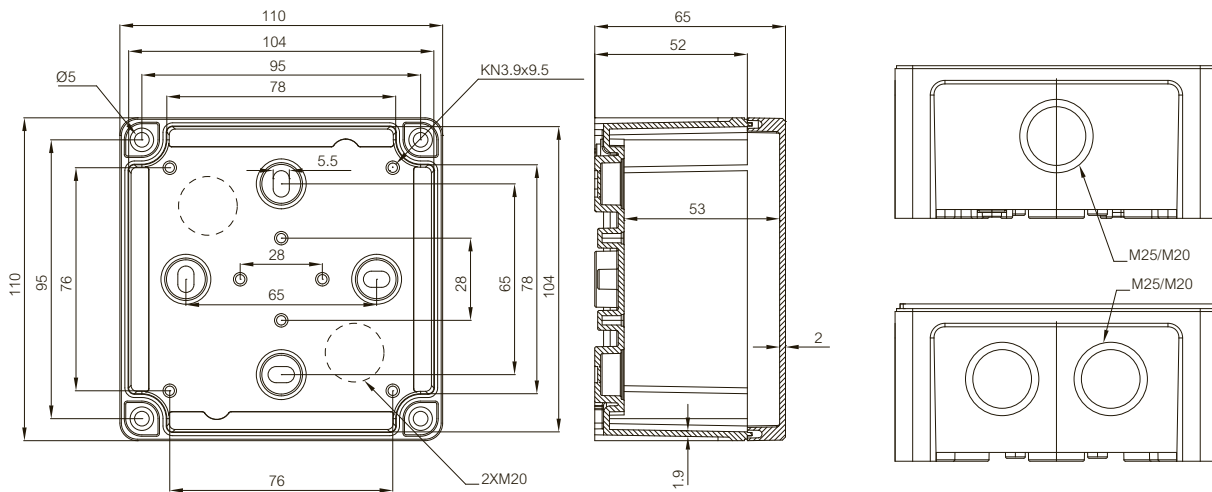
	Order symbol	Code	Dimensions	EAN code	Description
Polyamide wing head and sealing plug sets					
	MBS 14552	6300005		 6 418074 005144	Grey wing head set (40 pcs)
	DPS 14553	6300006		 6 418074 005151	Grey sealing plug set (40 pcs)
Spacers and mounting screws					
	TS H15 SET	5510031		 6 418074 061942	Spacer set for mounting plate M4/15mm (4 pcs)
	TS H30 SET	5510032		 6 418074 061959	Spacer set for mounting plate M4/30mm (4 pcs)
	KN 3.9x9.5-10 SET	5614042		 6 418074 062130	Mounting screw set 10pcs

Dimensional drawings

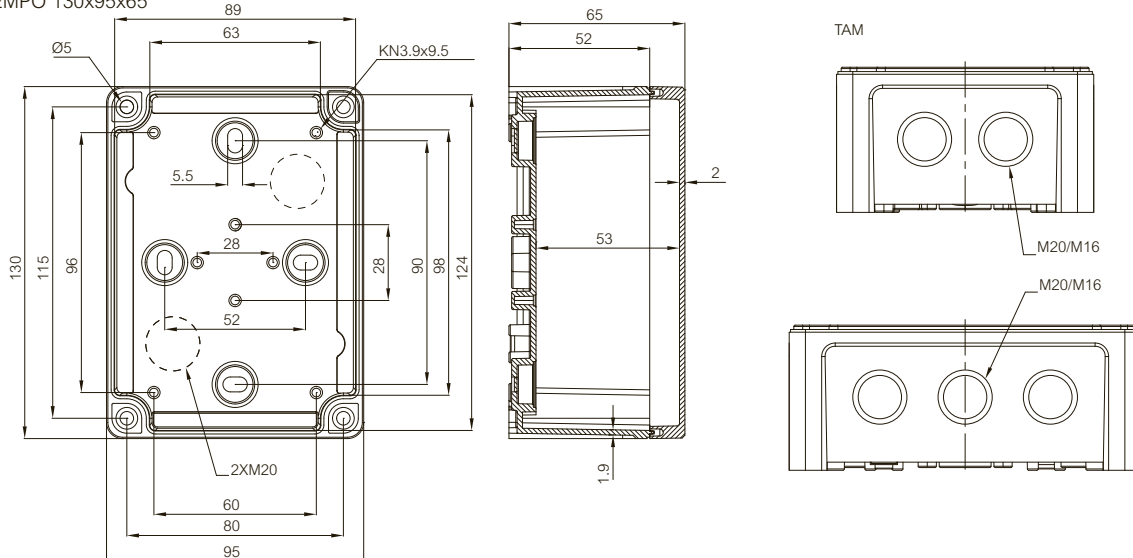
TEMPO 92x65x60



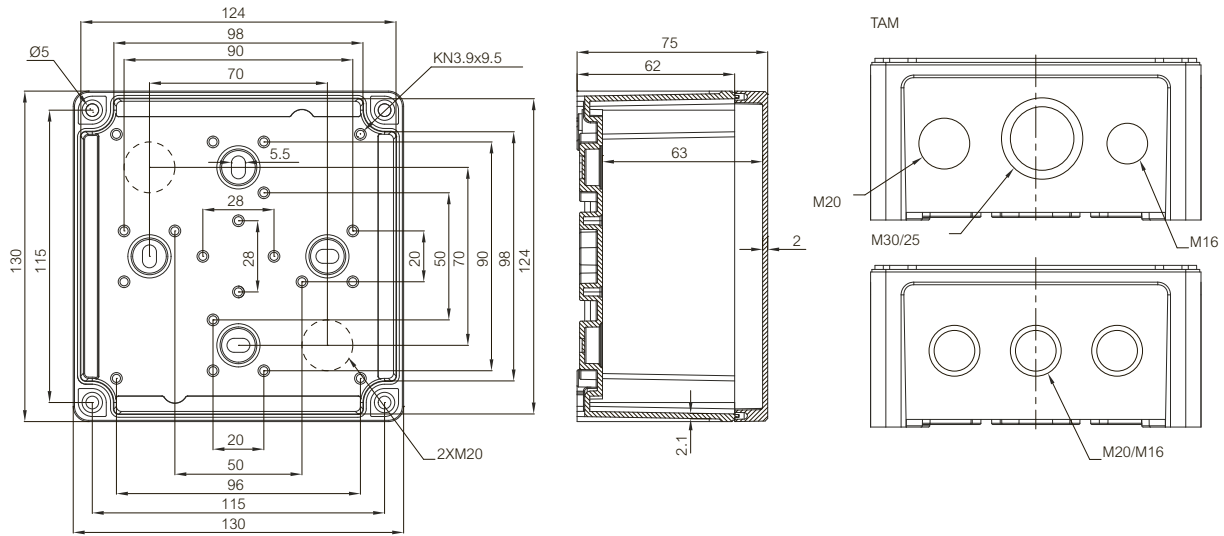
TEMPO 110x110x65



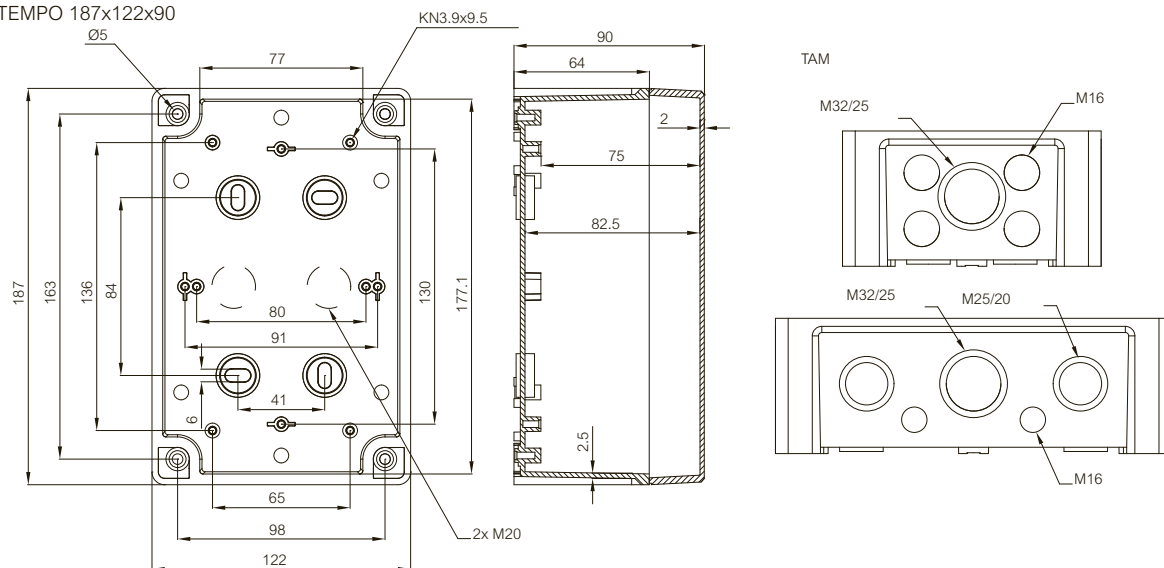
TEMPO 130x95x65



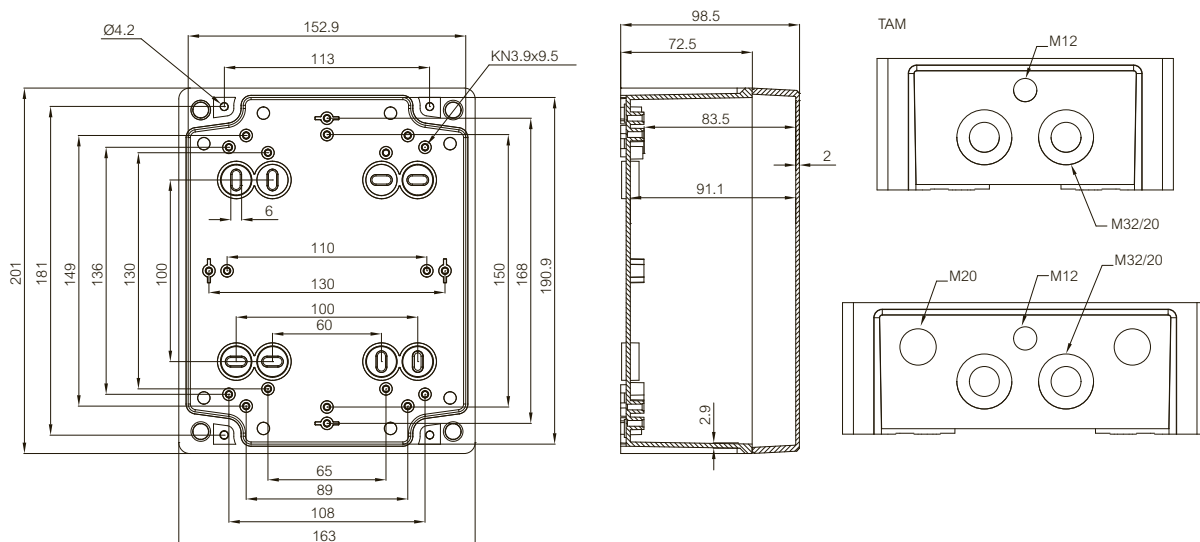
TEMPO 130x130x75



TEMPO 187x122x90

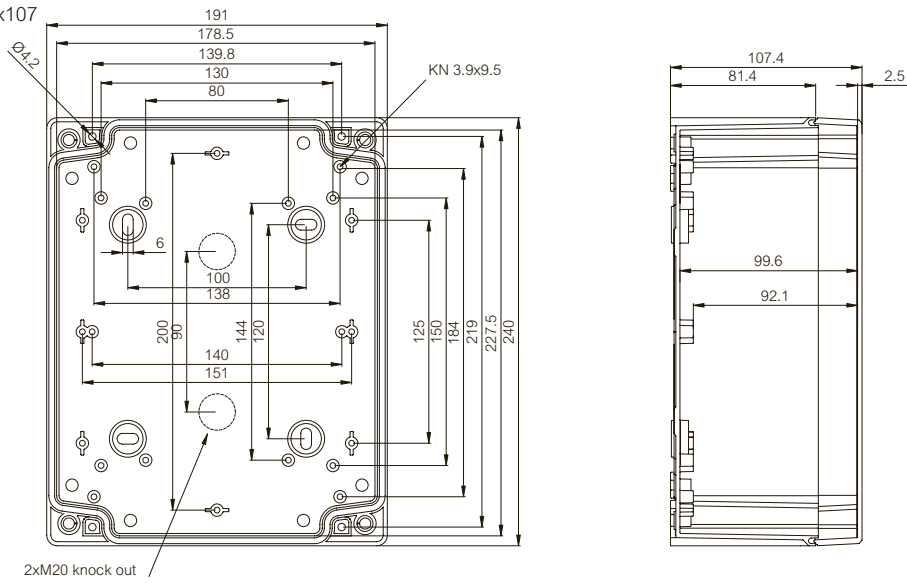


TEMPO 201x163x98

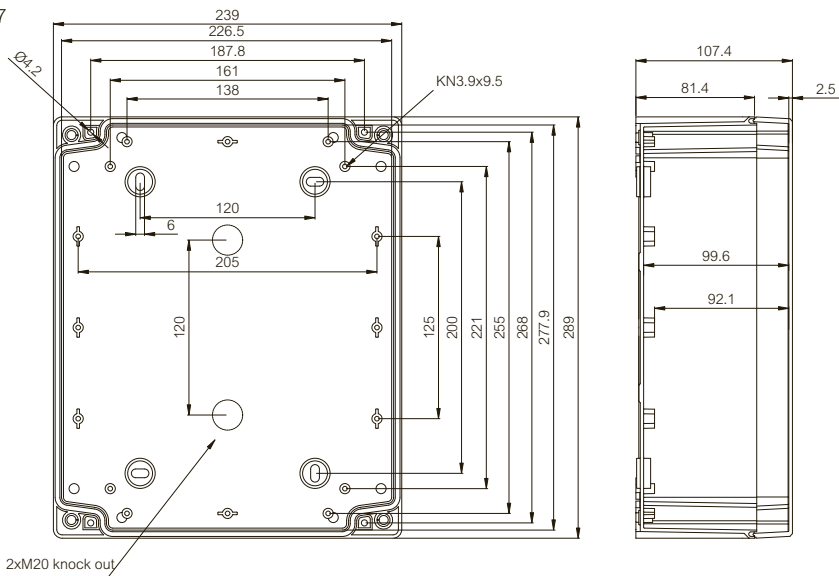


Dimensional drawings

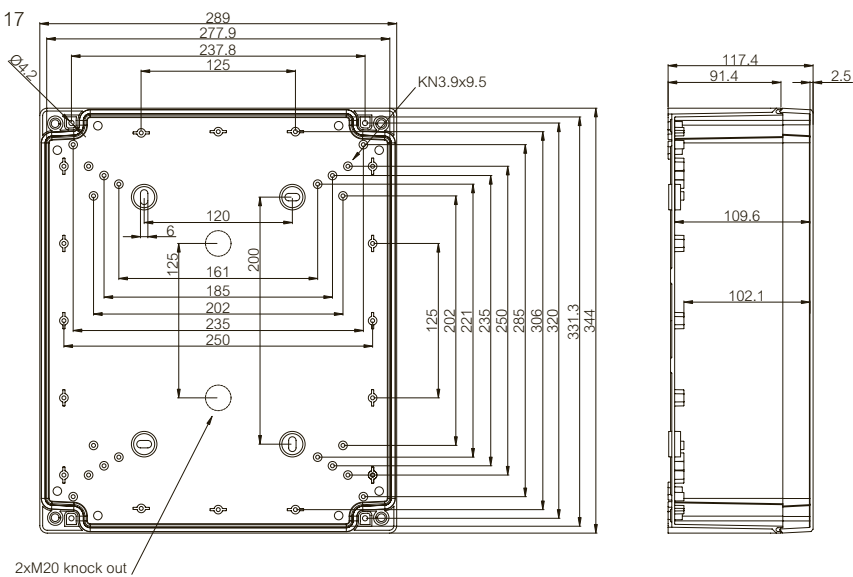
TEMPO 240x191x107



TEMPO 289x239x107



TEMPO 344x289x117

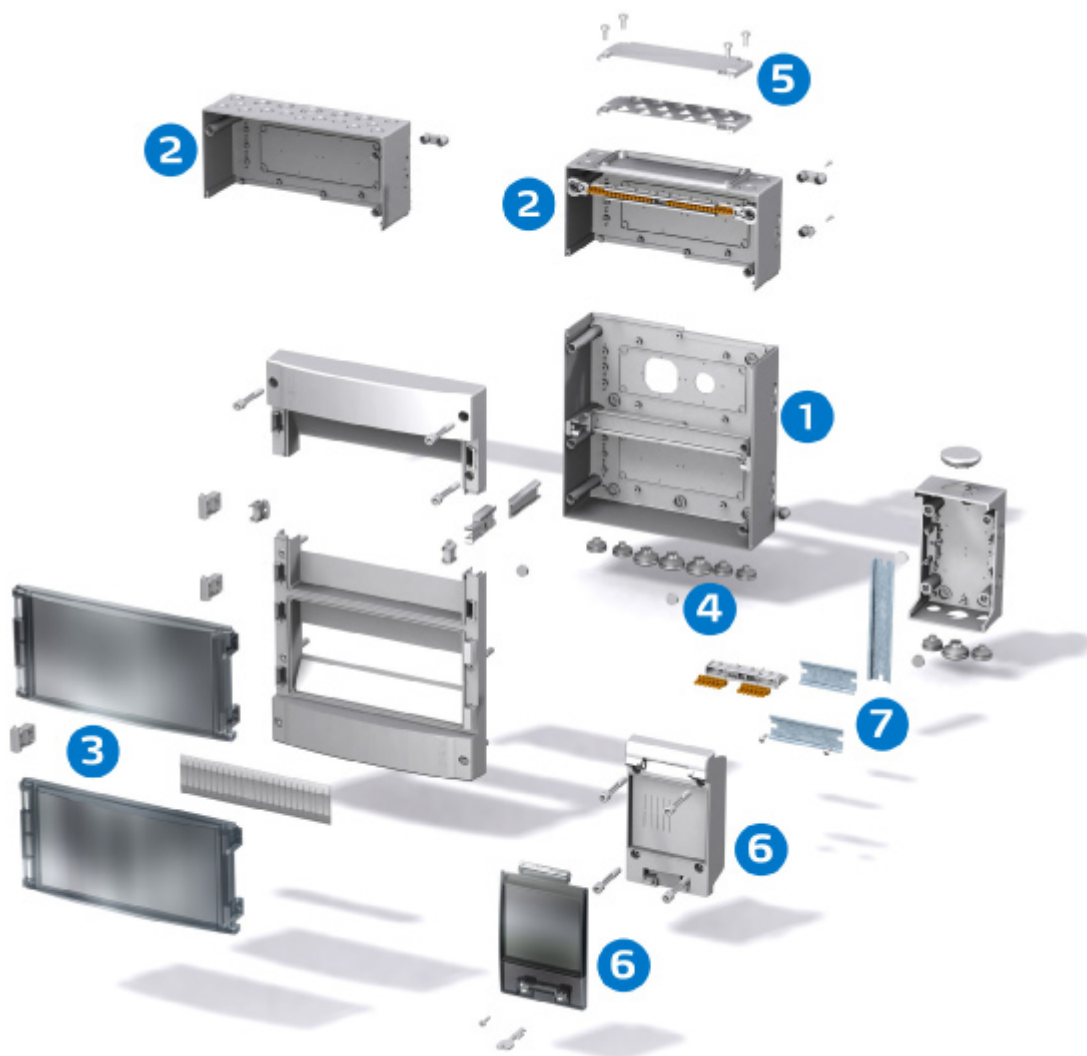




Modular component enclosures

These are the rugged workhorses of our product family, standing for practicality in industrial settings. They're spacious inside, available in a broad range of sizes and, as the name suggests, offers modular flexibility.

Easy-to-use solutions and functionality.
Designed to house automation, control and switch gear components.
Easy connection through flange openings.



Enclosure

- 1 1, 2 or 3 row enclosure base made from PC Metric cable openings on all 4 sides and in the enclosure base
- 2 Upper part of the enclosure made from PC, various versions with or without DIN rails
- 3 Front cover, in smoked grey or clear transparent, incl. TPE gasket

Accessories

- 4 Multi FEM, multi-cable membrane glands for structured wiring solutions
- 5 Knock-out plates, various versions
- 6 MCE enclosure 5/9
- 7 DIN rails for the mounting of machines

MCE

Including: Modular component enclosure with TPE gaskets, mounted DIN 35-rails, mounted PEN bars, Multi-FEM and FEM membrane cable glands, module marking stripes and pockets, wall mount cover plugs and mounting instructions.

PC: IP65, IK08
ABS: IP54, IK07

Dimensions	Order Symbol	Code	EAN Code	Description
200x116x105 mm				
	MCE PC 5 MF/M	7215161	 6 418074 007582	DIN rail modular enclosure, PC 5 mod
	MCE PCN 5 MF/M	7215162	 6 418074 059826	DIN rail modular enclosure, PC 5 mod
200x190x105 mm				
	MCE PC 9 MF/M	7219171	 6 418074 007599	DIN rail modular enclosure, PC 9 mod
	MCE PCN 9 MF/M	7219172	 6 418074 059833	DIN rail modular enclosure, PC 9 mod
280x306x145 mm				
	MCE PC 14 MF/M	7211181	 6 418074 007605	DIN rail modular enclosure, PC 14 mod
	MCE PC 14 MF/FL	7211215	 6 418074 007612	DIN rail modular enclosure, PC 14 mod
	MCE PCN 14 MF/M	7211182	 6 418074 059840	DIN rail modular enclosure, PC 14 mod
	MCE PCN 14 MF/FL	7211216	 6 418074 059871	DIN rail modular enclosure, PC 14 mod
	MCE ABS 14 M1/M	7221181	 6 418074 007681	DIN rail modular enclosure, ABS 14 mod
	MCE ABN 14 M1/M	7231314	 6 418074 008138	DIN rail modular enclosure, ABS 14 mod



Including: Modular component enclosure with TPE gaskets, mounted DIN 35-rails, mounted PEN bars, Multi-FEM and FEM membrane cable glands, module marking stripes and pockets, wall mount cover plugs and mounting instructions.

PC: IP65, IK08
ABS: IP54, IK07

Dimensions	Order Symbol	Code	EAN Code	Description
430x306x145 mm				
	MCE PC 28 MF/M	7212181	 6 418074 007629	DIN rail modular enclosure, PC 28 mod
	MCE PC 28 MF/FL	7212215	 6 418074 007636	DIN rail modular enclosure, PC 28 mod
	MCE PCN 28 MF/M	7212182	 6 418074 059857	DIN rail modular enclosure, PC 28 mod
	MCE PCN 28 MF/FL	7212216	 6 418074 059888	DIN rail modular enclosure, PC 28 mod
	MCE ABS 28 M1/M	7222181	 6 418074 007704	DIN rail modular enclosure, ABS 28 mod
	MCE ABN 28 M1/M	7232314	 6 418074 008145	DIN rail modular enclosure, ABS 28 mod
580x306x145 mm				
	MCE PC 42 MF/M	7214181	 6 418074 007643	DIN rail modular enclosure, PC 42 mod
	MCE PC 42 MF/FL	7214215	 6 418074 007650	DIN rail modular enclosure, PC 42 mod
	MCE PCN 42 MF/M	7214182	 6 418074 059864	DIN rail modular enclosure, PC 42 mod
	MCE PCN 42 MF/FL	7214216	 6 418074 059895	DIN rail modular enclosure, PC 42 mod
	MCE ABS 42 M1/M	7224181	 6 418074 007728	DIN rail modular enclosure, ABS 42 mod
	MCE ABN 42 M1/M	7234314	 6 418074 008152	DIN rail modular enclosure, ABS 42 mod

MCE

Including: Modular component enclosure with TPE gaskets, mounted DIN 35-rails, mounted PEN bars, Multi-FEM and FEM membrane cable glands, module marking stripes and pockets, wall mount cover plugs and mounting instructions.

PC: IP65, IK08

ABS: IP54, IK07

MCE technical information

Property	Polycarbonate (PC)	ABS	Conformity to standards
Ingress Protection (EN 60529)	IP 65	IP54	
Impact Resistance (EN 62262)	IK 08	IK07	
Température Range Celsius	-40° . . .120°C	-40° . . .80°C	Canada Industrial Control Equipment Enclosures for Electrical Equipment/ULc*
(short term) Fahrenheit	-40° . . .250°F	-40° . . .175°F	
Température Range Celsius	-40° . . .80°C	-40° . . .60°C	Europe Empty enclosures for low-voltage switchgear and controlgear assemblies EN 62208:2003 Europe Safety of Information Technology Equipment EN 60950 RoHS directive 2002/95/EC
(continuous) Fahrenheit	-40° . . .175°F	-40° . . .140°F	
Electrical Insulation	Totally insulated ☐	Totally insulated ☐	Russia GostR - Gost Russian certificate of conformity
Light Grey Parts Colour	RAL 7035 Industry Grey	RAL 7035 Industry Grey	
Transparent Clear PC Cover	Smoked Grey	Smoked Grey	*UL label on request
Cover Screws	RAL 7035	RAL 7035	
Cover Screws	Polyamide (PA)	Polyamide (PA)	
Gasket	TPE, Thermo Plastic Elastomer	TPE, Thermo Plastic Elastomer	
Enclosure Flammability Rating	UL 746C 5V*		
Glow Wire Test (IEC 695-2-1) Self -extinguishing (PC)	960°C		
Non-toxicity	Halogen Free	Halogen Free	
UV resistance	UL 508 720 hours in "Weatherometer"		
Chemical Resistance **	Good	Good	

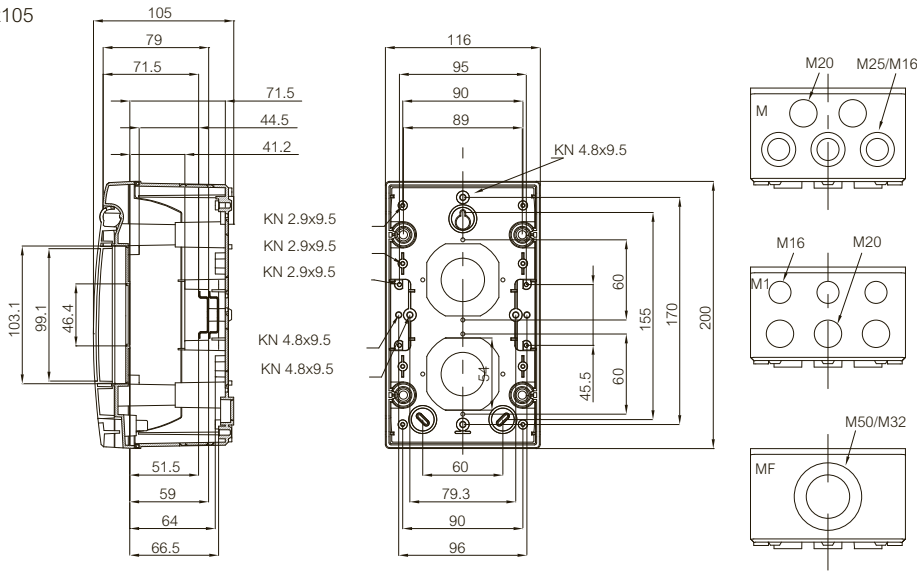
Data subject to change without notice.

**Consult separate raw material data for more detailed information

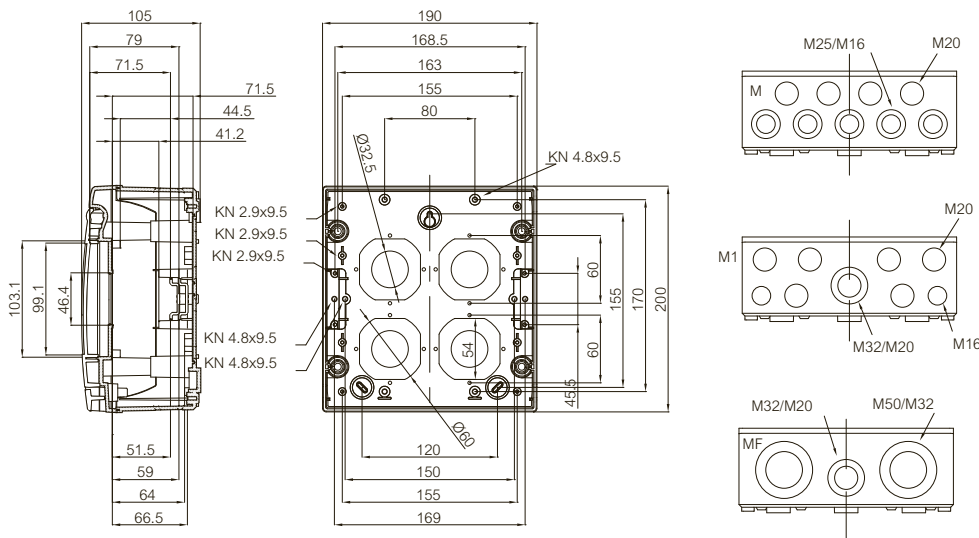
	Order symbol	Code	Dimensions	EAN code	Description
Front plate (aluminium, for MCE 14-42)					
	FP A 26133	7453133	139x262	 6 418074 015457	Front plate, aluminium 306x280x145, 430x306x145, 580x306x145
Wall mounting and locking					
	FP 26128	7611218		 6 418074 032935	Fastening lug set Single
	FP 26127	7611217		 6 418074 032928	Fastening lug set Double
	MB 26146 SET	7611146		 6 418074 033703	Pad locking set
Marking stripes and pockets					
	MB 26061	7426061		 6 418074 015396	Marking stripe for MCE 5
	MB 26062	7426062		 6 418074 015402	Marking stripe pocket for MCE 5
	MB 26063	7426063		 6 418074 015419	Marking stripe for MCE 9
	MB 26064	7426064		 6 418074 015426	Marking stripe pocket for MCE 9
	MB 26065	7426065		 6 418074 015433	Marking stripe for MCE 14-42
	MB 26066	7426066		 6 418074 015440	Marking stripe pocket for MCE 14-42
Terminal bus-bar clamps					
	MS BAR CLAMP	4712232		 6 418074 040886	Terminal bus-bar clamp, 25 mm ²
	MR 26145	5026145		 6 418074 039903	Terminal bus-bar clamp, 35 mm ²

	Order symbol	Code	Dimensions	EAN code	Description
Polyamide sealing plugs					
	DP 14553	6314553		 6 418074 023261	Sealing plug for cover screw Grey
	DPS 14553	6300006		 6 418074 005151	Grey sealing plug set (40 pcs)
Cover plate					
	MB 26050	5026050		 6 418074 034830	Cover plate for 12 modules (1 module = 17,5 mm)
PEN Sets					
	MCE 5 PEN SET	7611135		 6 418074 033659	Mounting ready PE/N/PEN -rail set
	MCE 9 PEN SET	7611136		 6 418074 033666	Mounting ready PE/N/PEN -rail set
	MCE 14 PEN SET	7611140		 6 418074 033673	Mounting ready PE/N/PEN -rail set
	MCE 14 MU PEN SET	7611240		 6 418074 033680	Mounting ready PE/N/PEN -rail set

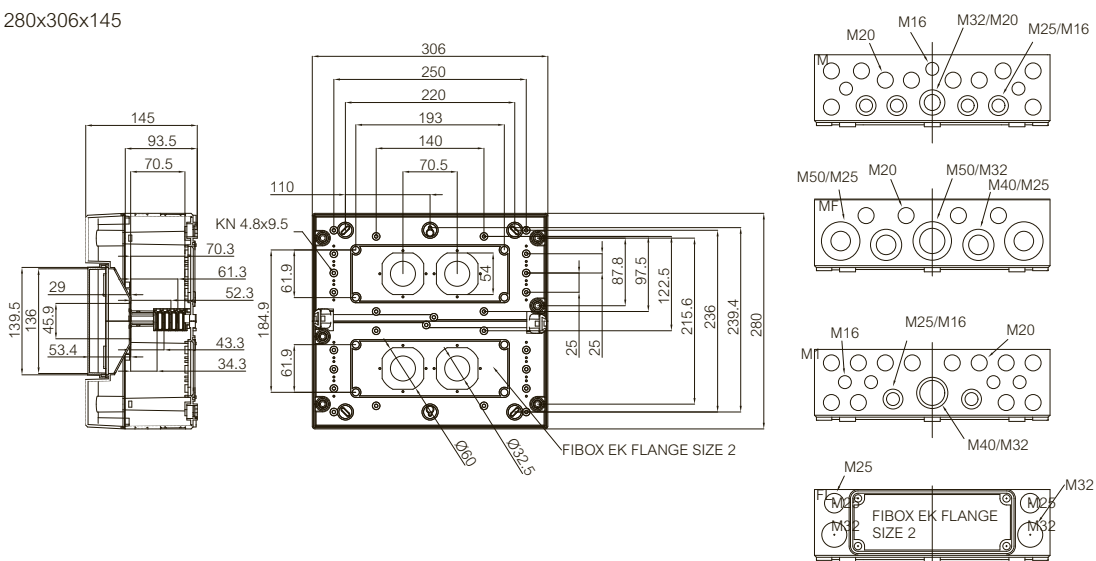
MCE 200x116x105



MCE 200x190x105

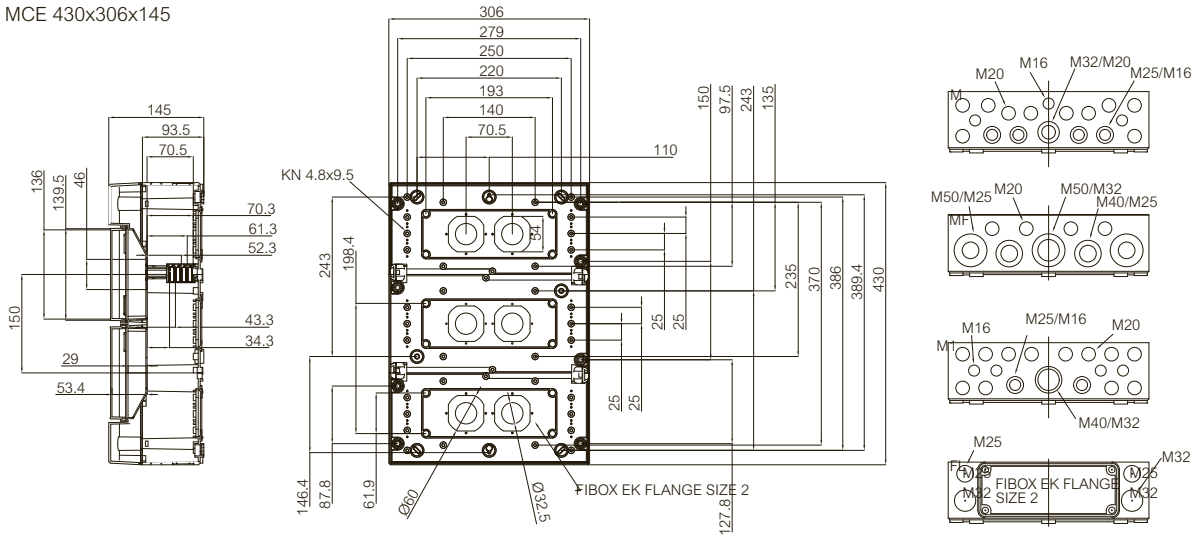


MCE 280x306x145

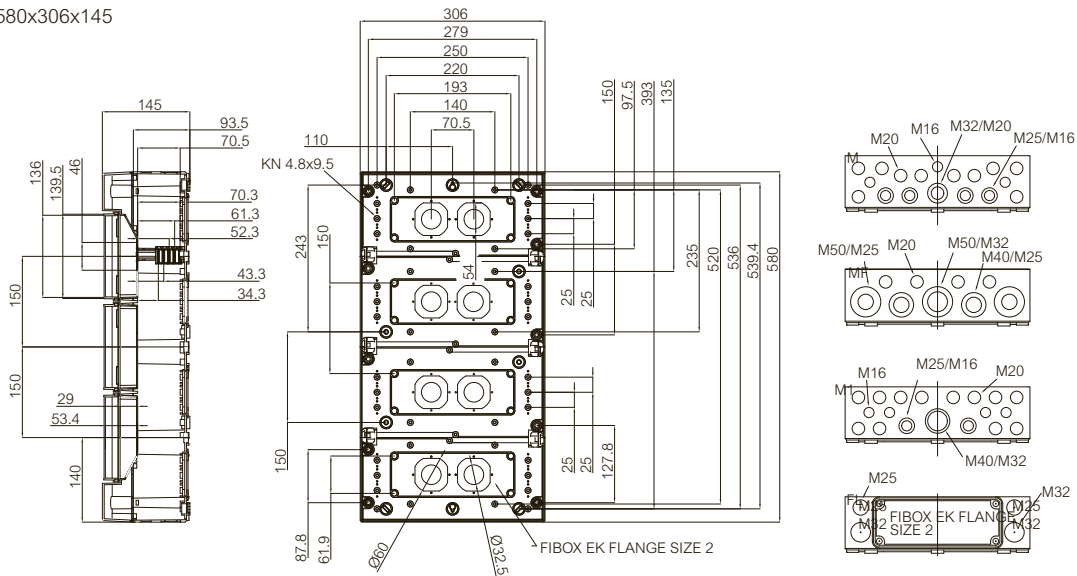


Dimensional drawings

MCE 430x306x145



MCE 580x306x145





For modular flexibility

Because EK enclosures are fully modular, this range stretches to fit, from a single module to extensive enclosure panels. EK comes in a large size range, with various depths and a host of accessories.

Ideal for single or modular enclosure solutions.
Wide selection and extensive range of accessories.




Enclosure

- 1 Base
- 2 Cover, grey or transparent
- 3 Cover screws, different versions

Accessories

- 4 Fastening lugs, 2 pcs. incl. screws
- 5 Mounting plate, electro-galvanised steel stable and impact-resistant
- 6 DIN rail different sizes TS 35
- 7 Intermediate frame, polycarbonate, (from size 2819) PUR gasket (height 50mm)
- 8 Membrane cable gland for flexible applications


Dimensions	Order Symbol	Code	EAN Code	Description
190x190x130 mm				
	EKHA 130 G	2538001	 6 418074 013446	Enclosure, PC Grey cover
	EKHS 130 G	2538007	 6 418074 013460	Enclosure, PC Grey cover
	EKHA 130 T	2538101	 6 418074 013712	Enclosure, PC Transparent cover
	EKHS 130 T	2538107	 6 418074 013736	Enclosure, PC Transparent cover
	EKHA 130 G-2FSH	9996179	 6 418074 052940	Enclosure, PC Grey hinged cover
	EKHS 130 G-2FSH	9996180	 6 418074 052964	Enclosure, PC Grey hinged cover
	EKHA 130 T-2FSH	9996181	 6 418074 053183	Enclosure, PC Transparent hinged cover
	EKHS 130 T-2FSH	9996182	 6 418074 053206	Enclosure, PC Transparent hinged cover
	EKHA	3530139	 6 418074 000019	Base, PC Openings; 4x size 1 flange
	EKHS	3530543	 6 418074 000026	Base, PC Openings; 1x size 1 flange
	EKH 30-G	3730147	 6 418074 000200	Cover, PC Grey
	EKH 30-T	3720147	 6 418074 000187	Cover, PC Transparent

Dimensions	Order Symbol	Code	EAN Code	Description
190x190x180 mm				
	EKHA 180 G	2538004	 6 418074 013453	Enclosure, PC Grey cover
	EKHS 180 G	2538010	 6 418074 013477	Enclosure, PC Grey cover
	EKHA 180 T	2538104	 6 418074 013729	Enclosure, PC Transparent cover
	EKHS 180 T	2538110	 6 418074 013743	Enclosure, PC Transparent cover
	EKHA 180 G-2FSH	9996183	 6 418074 052957	Enclosure, PC Grey hinged cover
	EKHS 180 G-2FSH	9996184	 6 418074 052971	Enclosure, PC Grey hinged cover
	EKHA 180 T-2FSH	9996185	 6 418074 053190	Enclosure, PC Transparent hinged cover
	EKHS 180 T-2FSH	9996186	 6 418074 053213	Enclosure, PC Transparent hinged cover
	EKHA	3530139	 6 418074 000019	Base, PC Openings; 4x size 1 flange
	EKHS	3530543	 6 418074 000026	Base, PC Openings; 1x size 1 flange
	EKH 80-G	3730555	 6 418074 000217	Cover, PC Grey
	EKH 80-T	3720555	 6 418074 000194	Cover, PC Transparent

Dimensions	Order Symbol	Code	EAN Code	Description
280x190x130 mm				
	EKJB 130 G	2538013	 6 418074 013484	Enclosure, PC Grey cover
	EKJB 130 T	2538113	 6 418074 013750	Enclosure, PC Transparent cover
	EKJB 130 G-2FSH	9996187	 6 418074 052988	Enclosure, PC Grey hinged cover
	EKJB 130 T-2FSH	9996188	 6 418074 053220	Enclosure, PC Transparent hinged cover
	EKJB	3530140	 6 418074 000033	Base, PC Openings; 2x size 1 flange + 2x size 2 flange
	EKJ 30-G	3730146	 6 418074 000248	Cover, PC Grey
	EKJ 30-T	3720146	 6 418074 000224	Cover, PC Transparent
280x190x180 mm				
	EKJB 180 G	2538016	 6 418074 013491	Enclosure, PC Grey cover
	EKJB 180 T	2538116	 6 418074 013767	Enclosure, PC Transparent cover
	EKJB 180 G-2FSH	9996189	 6 418074 052995	Enclosure, PC Grey hinged cover
	EKJB 180 T-2FSH	9996190	 6 418074 053237	Enclosure, PC Transparent hinged cover
	EKJB	3530140	 6 418074 000033	Base, PC Openings; 2x size 1 flange + 2x size 2 flange
	EKJ 80-G	3730556	 6 418074 000255	Cover, PC Grey
	EKJ 80-T	3720556	 6 418074 000231	Cover, PC Transparent

Dimensions	Order Symbol	Code	EAN Code	Description
380x190x130 mm				
	EKMB 130 G	2538019	 6 418074 013507	Enclosure, PC Grey cover
	EKMR 130 G	2538025	 6 418074 013521	Enclosure, PC Grey cover
	EKMB 130 T	2538119	 6 418074 013774	Enclosure, PC Transparent cover
	EKMR 130 T	2538125	 6 418074 013798	Enclosure, PC Transparent cover
	EKMB 130 G-2FSH	9996191	 6 418074 053008	Enclosure, PC Grey hinged cover
	EKMR 130 G-2FSH	9996192	 6 418074 053022	Enclosure, PC Grey hinged cover
	EKMB 130 T-2FSH	9996194	 6 418074 053244	Enclosure, PC Transparent hinged cover
	EKMR 130 T-2FSH	9996195	 6 418074 053268	Enclosure, PC Transparent hinged cover
	EKMB	3530136	 6 418074 000040	Base, PC Openings; 2x size 1 flange + 2x size 2 flange
	EKMR	3530542	 6 418074 000064	Base, PC Openings; 1x size 2 flange
	EKM 30-G	3730145	 6 418074 000286	Cover, PC Grey
	EKM 30-T	3720145	 6 418074 000262	Cover, PC Transparent

Dimensions	Order Symbol	Code	EAN Code	Description
380x190x180 mm				
	EKMB 180 G	2538022	 6 418074 013514	Enclosure, PC Grey cover
	EKMR 180 G	2538028	 6 418074 013538	Enclosure, PC Grey cover
	EKMB 180 T	2538122	 6 418074 013781	Enclosure, PC Transparent cover
	EKMR 180 T	2538128	 6 418074 013804	Enclosure, PC Transparent cover
	EKMB 180 G-2FSH	9996197	 6 418074 053015	Enclosure, PC Grey hinged cover
	EKMR 180 G-2FSH	9996198	 6 418074 053039	Enclosure, PC Grey hinged cover
	EKMB 180 T-2FSH	9996200	 6 418074 053251	Enclosure, PC Transparent hinged cover
	EKMR 180 T-2FSH	9996201	 6 418074 053275	Enclosure, PC Transparent hinged cover
	EKMB	3530136	 6 418074 000040	Base, PC Openings; 2x size 1 flange + 2x size 2 flange
	EKMR	3530542	 6 418074 000064	Base, PC Openings; 1x size 2 flange
	EKM 80-G	3730557	 6 418074 000293	Cover, PC Grey
	EKM 80-T	3720557	 6 418074 000279	Cover, PC Transparent

Dimensions	Order Symbol	Code	EAN Code	Description
280x280x130 mm				
	EKOE 130 G	2538037	 6 418074 013569	Enclosure, PC Grey cover
	EKOE 130 T	2538137	 6 418074 013835	Enclosure, PC Transparent cover
	EKOE 130 G-2FSH	9996203	 6 418074 053046	Enclosure, PC Grey hinged cover
	EKOE 130 T-2FSH	9996204	 6 418074 053282	Enclosure, PC Transparent hinged cover
	EKOE	3530095	 6 418074 000071	Base, PC Openings; 4x size 2 flange
	EKO 30-G	3730096	 6 418074 000323	Cover, PC Grey
	EKO 30-T	3720096	 6 418074 000309	Cover, PC Transparent
280x280x180 mm				
	EKOE 180 G	2538040	 6 418074 013576	Enclosure, PC Grey cover
	EKOE 180 T	2538140	 6 418074 013842	Enclosure, PC Transparent cover
	EKOE 180 G-2FSH	9996205	 6 418074 053053	Enclosure, PC Grey hinged cover
	EKOE 180 T-2FSH	9996206	 6 418074 053299	Enclosure, PC Transparent hinged cover
	EKOE	3530095	 6 418074 000071	Base, PC Openings; 4x size 2 flange
	EKO 80-G	3730558	 6 418074 000330	Cover, PC Grey
	EKO 80-T	3720558	 6 418074 000316	Cover, PC Transparent

Dimensions	Order Symbol	Code	EAN Code	Description
380x280x130 mm				
	EKPE 130 G	2538043	 6 418074 013583	Enclosure, PC Grey cover
	EKPG 130 G	2538049	 6 418074 013606	Enclosure, PC Grey cover
	EKPE 130 T	2538143	 6 418074 013859	Enclosure, PC Transparent cover
	EKPG 130 T	2538149	 6 418074 013873	Enclosure, PC Transparent cover
	EKPE 130 G-2FSH	9996207	 6 418074 053060	Enclosure, PC Grey hinged cover
	EKPG 130 G-2FSH	9996208	 6 418074 053084	Enclosure, PC Grey hinged cover
	EKPE 130 T-2FSH	9996211	 6 418074 053305	Enclosure, PC Transparent hinged cover
	EKPG 130 T-2FSH	9996212	 6 418074 053329	Enclosure, PC Transparent hinged cover
	EKPE	3530133	 6 418074 000088	Base, PC Openings; 4x size 2 flange
	EKPG	3530134	 6 418074 000095	Base, PC Openings; 2x size 1 flange + 3x size 2 flange
	EKP 30-G	3730143	 6 418074 000361	Cover, PC Grey
	EKP 30-T	3720143	 6 418074 000347	Cover, PC Transparent

Dimensions	Order Symbol	Code	EAN Code	Description
380x280x180 mm				
	EKPE 180 G	2538046	 6 418074 013590	Enclosure, PC Grey cover
	EKPG 180 G	2538052	 6 418074 013613	Enclosure, PC Grey cover
	EKPK 180 G	2538055	 6 418074 013620	Enclosure, PC Grey cover
	EKPL 180 G	2538061	 6 418074 013644	Enclosure, PC Grey cover
	EKPE 180 T	2538146	 6 418074 013866	Enclosure, PC Transparent cover
	EKPG 180 T	2538152	 6 418074 013880	Enclosure, PC Transparent cover
	EKPK 180 T	2538155	 6 418074 013897	Enclosure, PC Transparent cover
	EKPL 180 T	2538161	 6 418074 013910	Enclosure, PC Transparent cover
	EKPE 180 G-2FSH	9996215	 6 418074 053077	Enclosure, PC Grey hinged cover
	EKPG 180 G-2FSH	9996216	 6 418074 053091	Enclosure, PC Grey hinged cover
	EKPK 180 G-2FSH	9996209	 6 418074 053107	Enclosure, PC Grey hinged cover
	EKPL 180 G-2FSH	9996210	 6 418074 053121	Enclosure, PC Grey hinged cover
	EKPE 180 T-2FSH	9996219	 6 418074 053312	Enclosure, PC Transparent hinged cover
	EKPG 180 T-2FSH	9996220	 6 418074 053336	Enclosure, PC Transparent hinged cover
	EKPK 180 T-2FSH	9996213	 6 418074 053343	Enclosure, PC Transparent hinged cover

Dimensions	Order Symbol	Code	EAN Code	Description
	EKPL 180 T-2FSH	9996214	 6 418074 053367	Enclosure, PC Transparent hinged cover
	EKPE	3530133	 6 418074 000088	Base, PC Openings; 4x size 2 flange
	EKPG	3530134	 6 418074 000095	Base, PC Openings; 2x size 1 flange + 3x size 2 flange
	EKPK	3530315	 6 418074 000101	Base, PC Openings; 3x size 2 flange + 1x size 3 flange
	EKPL	3530316	 6 418074 000118	Base, PC Openings; 2x size 2 flange + 2x size 3 flange
	EKP 30-G	3730143	 6 418074 000361	Cover, PC Grey
	EKP 30-T	3720143	 6 418074 000347	Cover, PC Transparent
	EKP 80-G	3730559	 6 418074 000378	Cover, PC Grey
	EKP 80-T	3720559	 6 418074 000354	Cover, PC Transparent
380x280x230 mm				
	EKPK 230 G	2538058	 6 418074 013637	Enclosure, PC Grey cover
	EKPL 230 G	2538064	 6 418074 013651	Enclosure, PC Grey cover
	EKPK 230 T	2538158	 6 418074 013903	Enclosure, PC Transparent cover
	EKPL 230 T	2538164	 6 418074 013927	Enclosure, PC Transparent cover
	EKPK 230 G-2FSH	9996217	 6 418074 053114	Enclosure, PC Grey hinged cover
	EKPL 230 G-2FSH	9996218	 6 418074 053138	Enclosure, PC Grey hinged cover

Dimensions	Order Symbol	Code	EAN Code	Description
	EKPK 230 T-2FSH	9996221	 6 418074 053350	Enclosure, PC Transparent hinged cover
	EKPL 230 T-2FSH	9996222	 6 418074 053374	Enclosure, PC Transparent hinged cover
	EKPK	3530315	 6 418074 000101	Base, PC Openings; 3x size 2 flange + 1x size 3 flange
	EKPL	3530316	 6 418074 000118	Base, PC Openings; 2x size 2 flange + 2x size 3 flange
	EKP 80-G	3730559	 6 418074 000378	Cover, PC Grey
	EKP 80-T	3720559	 6 418074 000354	Cover, PC Transparent
560x280x130 mm				
	EKTH 130 G	2538067	 6 418074 013668	Enclosure, PC Grey cover
	EKTH 130 T	2538167	 6 418074 013934	Enclosure, PC Transparent cover
	EKTH 130 G-3FSH	9996223	 6 418074 053145	Enclosure, PC Grey hinged cover
	EKTH 130 T-3FSH	9996224	 6 418074 053381	Enclosure, PC Transparent hinged cover
	EKTH	3530132	 6 418074 000125	Base, PC Openings; 6x size 2 flange
	EKT 30-G	3730144	 6 418074 000392	Cover, PC Grey
	EKT 30-T	3720144	 6 418074 000385	Cover, PC Transparent

Dimensions	Order Symbol	Code	EAN Code	Description
560x380x180 mm				
	EKUH 180 G	2538073	 6 418074 013675	Enclosure, PC Grey cover
	EKUM 180 G	2538079	 6 418074 013682	Enclosure, PC Grey cover
	EKUN 180 G	2538085	 6 418074 013699	Enclosure, PC Grey cover
	EKUH 180 T	2538173	 6 418074 013941	Enclosure, PC Transparent cover
	EKUM 180 T	2538179	 6 418074 013958	Enclosure, PC Transparent cover
	EKUN 180 T	2538185	 6 418074 013965	Enclosure, PC Transparent cover
	EKUM	3530319	 6 418074 000149	Base, PC Openings; 5x size 2 flange + 1x size 3 flange
	EKUH	3530317	 6 418074 000132	Base, PC Openings; 6x size 2 flange
	EKUN	3530318	 6 418074 000156	Base, PC Openings; 4x size 2 flange + 2x size 3 flange
	EKU 30-G	3730320	 6 418074 000415	Cover, PC Grey
	EKU 30-T	3720320	 6 418074 000408	Cover, PC Transparent
760x560x250 mm				
	EKWH 250 G NEW	2538990	 6 418074 048547	Enclosure, PC Grey cover
	EKWH NEW	3530907	 6 418074 042958	Base, PC Openings: 8x size 2 flange
	EKW 100-G NEW	3730908	 6 418074 042965	Cover, PC Grey





EK technical information		Confirmity to standards
Property	Polycarbonate (PC)	
Ingress Protection (EN 60529)	IP 66/IP 67	USA Enclosures for Electrical Equipment PC: UL Type 1, 3, 3S, 4, 4X, 6, 6P or 12; UL File E75645 Vol 1 Sec 2; UL 746C-5VA flame test (UL 50/508)*
Impact Resistance (EN 62262)	IK 08 (side surface) IK 09 (front surface)	
Température Range Celsius (short term) Fahrenheit	-40° . . 120°C -40° . . 250°F	Canada Industrial Control Equipment Enclosures for Electrical Equipment/ULc*
Température Range Celsius (continuous) Fahrenheit	-40° . . 80°C -40° . . 175°F	
Electrical Insulation	Totally insulated ☐	Europe Empty enclosures for low-voltage switchgear and controlgear assemblies EN 62208:2003 Europe Safety of Information Technology Equipment EN 60950 RoHS directive 2002/95/EC
Light Grey Parts Colour	RAL 7035 Industry Grey	
Transparent Clear PC Cover	Clear transparent	Russia GostR - Gost Russian certificate of conformity
Cover Screws	RAL 7035	
Cover Screws	Polyamide (PA)	*UL label on request
Gasket	PUR/EPDM	
Enclosure Flammability Rating	UL 746C 5V*	
Glow Wire Test (IEC 695-2-1) Self -extinguishing (PC)	960°C	
Non-toxicity	Halogen Free	
UV resistance	UL 508 720 hours in "Weatherometer"	
Chemical Resistance *	Good	

Data subject to change without notice.

**Consult separate raw material data for more detailed information

	Order symbol	Code	Dimensions	EAN code	Description
Mounting plates (Galvanized steel, sheet thickness 1,5 mm)					
	EKHVT	3770548	148x148	 6 418074 039743	Mounting plate, for enclosures: 190x190x130, 190x190x180
	EKJVT	3770549	148x238	 6 418074 039750	Mounting plate, for enclosures: 280x190x130, 280x190x180
	EKMVT	3770550	148x338	 6 418074 039767	Mounting plate, for enclosures: 380x190x130, 380x190x180
	EKOVT	3770551	238x238	 6 418074 039774	Mounting plate, for enclosures: 280x280x130, 280x280x180, 560x280x130
	EKPVT	3770552	238x338	 6 418074 039781	Mounting plate, for enclosures: 380x280x130, 380x280x180, 380x280x230, 560x380x180
	EKTVT	3770553	238x518	 6 418074 039798	Mounting plate, for enclosures: 560x280x130
	EKUVT	3770554	338x518	 6 418074 039804	Mounting plate, for enclosures: 560x380x180
	PT 60 x 11 PH2 SET	3570580		 6 418074 031426	Mounting screw set (4pcs) For Ø5,2 mm (mounting) pods
Mounting plates Pertinax 4mm					
	EKHXT	3770748	148x148	 6 418074 029362	Mounting plate, for enclosures: 190x190x130, 190x190x180
	EKJXT	3770749	148x240	 6 418074 029379	Mounting plate, for enclosures: 280x190x130, 280x190x180
	EKMXT	3770750	148x340	 6 418074 029386	Mounting plate, for enclosures: 380x190x130, 380x190x180
	EKOXT	3770751	238x238	 6 418074 029393	Mounting plate, for enclosures: 280x280x130, 280x280x180
	EKPXT	3770752	238x338	 6 418074 029409	Mounting plate, for enclosures: 380x280x130, 380x280x180
	EKTXT	3770753	236x518	 6 418074 029416	Mounting plate, for enclosures: 560x280x130

	Type-nummer	Elnummer	Dimensioner	EAN-kode	Betegnelse
	EKUXT		339x518	 6 418074 029423	Monteringsplade, for kasse: 560x380x180
Montageplade til målerskab					
	EKVM2		238x338	 6 418074 040831	Montageplade
	M6x16			 6 418074 031570	Monteringsskruen
DIN-35 skinne (el forsinket stål, højde 7,5 mm)					
	EKV 12	8212009707	160x35	 6 418074 031969	DIN-35 skinne, for kasse: 190x190x130-380x190x180
	EKV 22	8212009723	235x35	 6 418074 031976	DIN-35 skinne, for kasse: 280x280x130-560x280x130
	EKV 32	8212009749	335x35	 6 418074 031983	DIN-35 skinne, for kasse: 380x190x130, 380x190x180, 380x280x130, 380x280x180, 380x280x230, 560x380x180,
	EKV 50		500x35	 6 418074 030405	DIN-35 skinne, for kasse: 560x280x130
DIN-tilbehør					
	MSM PT 5x10	8212008494		 6 418074 032577	Montageskrue 1 stk. Til montageplader og DIN- skinner
	PT 60 x 11 PH2 SET	8212008546		 6 418074 031426	Montageskrue 4 stk. Til montageplader
	MB 10686	8212010246		 6 418074 031181	Afstandsstykke

	Order symbol	Code	Dimensions	EAN code	Description
DIN rail frames					
	MS PROF 19	3510840		 6 418074 040480	DIN rail frames
	MS PROF 28	3510841		 6 418074 040497	DIN rail frames
	MS PROF 38	3510842		 6 418074 031310	DIN rail frames
	MS PROF 56	3510843		 6 418074 040503	DIN rail frames
	EKT PROF 56	3510844		 6 418074 031327	DIN terminal rail
Extension frames (Polycarbonate, PUR Gasket)					
	EKJZR	3730153	188x278	 6 418074 005724	Extension frame, for enclosures: 280x190x130, 280x190x180
	EKMZR	3730152	188x378	 6 418074 005731	Extension frame, for enclosures: 380x190x130, 380x190x180
	EKOZR	3730093	278x278	 6 418074 005748	Extension frame, for enclosures: 280x280x130, 280x280x180
	EKPZR	3730141	278x378	 6 418074 005755	Extension frame, for enclosures: 380x280x130, 380x280x180, 380x280x230
	EKTZR	3730142	278x558	 6 418074 005762	Extension frame, for enclosures: 560x280x130
	EKUZR	3730323	378x558	 6 418074 005779	Extension frame, for enclosures: 560x380x180

	Order symbol	Code	Dimensions	EAN code	Description
Front plates with DIN-openings					
	FP12-2819	3770765	190x280	 6 418074 006318	Front plate 12 modules
	FP12-2828	3770756	280x280	 6 418074 006325	Front plate 12 modules
	FP12x2-2828	3770766	280x280	 6 418074 006332	Front plate 2x12 modules
	FP12x2-2838	3770769	380x280	 6 418074 006349	Front plate 2x12 modules
	FP12x3-2838	3770767	380x280	 6 418074 006356	Front plate 3x12 modules
	FP12x3-2856	3770768	560x280	 6 418074 006363	Front plate 3x12 modules
MB FP88 and MB FP882 spacers					
	MB FP88	3530764		 6 418074 036001	Distance spacer for front plates
	MB FP882	3530771		 6 418074 035868	Distance spacer for front plates
	MB 26050	5026050		 6 418074 034830	Cover plate for 12 modules (1 module = 17,5 mm)
	MB 26069SET	5126029		 6 418074 031747	N/PE terminal bracket set incl. 2 pcs of terminals (16-holes)
	MS BAR CLAMP	4712232		 6 418074 040886	Terminal bus-bar clamp, 25 mm ²
	MR 26145	5026145		 6 418074 039903	Terminal bus-bar clamp, 35 mm ²

	Order symbol	Code	Dimensions	EAN code	Description
PC front plates for FX20 SET					
	FX FP 8-2819	3770849	190x280	 6 418074 030108	Front plate, blue, thickness 2 mm 8 modules
	FX FP 12-2828	3770850	280x280	 6 418074 030115	Front plate, blue, thickness 2 mm 12 modules
	FX FP 2*12-2838	3770851	280x380	 6 418074 030290	Front plate, blue, thickness 2 mm 2x12 modules
	FX FP 3*12-2856	3770852	280x560	 6 418074 030313	Front plate, blue, thickness 2 mm 3x12 modules
Corner stud FX20 SET					
	FX20 SET	3570791		 6 418074 035165	Corner stud set (4 pcs) incl. screws
	MB 10791	3730791		 6 418074 010544	Corner stud (separate)
	MB 10792	3730792		 6 418074 010551	Front plate screw
	MS BAR 2+18	4712199	7x10	 6 418074 040855	PE/N terminal bus-bar 25+ 10 mm ²
PC front plates for MB 60MM bus-bar holder					
	MB FP 2828	3770853	280x280	 6 418074 031341	Front plate Blue, thickness 2 mm
	MB FP 3828	3770854	280x380	 6 418074 031358	Front plate Blue, thickness 2 mm
	MB FP 5628	3770855	280x560	 6 418074 031372	Front plate Blue, thickness 2 mm

	Order symbol	Code	Dimensions	EAN code	Description
60 MM Bus-Bar					
	MB 60MM	3532385		 6 418074 031600	Bus-bar holder set incl. screws and support
	MB 10792	3730792		 6 418074 010551	Front plate screw
Hinges and wall mounting					
	MB 10622	3530622		 6 418074 039644	PC Hinge set, 1 pair incl. screws and drill template
	MB 10547	3570547		 6 418074 031280	PA Hinge set, 1 pair incl. screws
	EKZKS 1	3570570		 6 418074 009883	Hinge set, metal
	MB 10523	3560523		 6 418074 031174	Blind plug for cover corner on hinged side when cover screws are not used
	MB 10674	3770674		 6 418074 039651	Wall fastening lug (4 pcs)
Cover screws					
	HS 10255	3540255		 6 418074 030672	Wing head for 30 mm cover
	CS 10256	3540256		 6 418074 030689	Cross head for 30/100 mm cover
	SS 10535	3540535		 6 418074 030702	Slotted head (sealable) for 30 mm cover
	SS 10544	3570544		 6 418074 031273	Slotted head (quick-lock) for 30/100 mm cover
	HS 10533	3570533		 6 418074 031266	Wing head (quick-lock) for 30 mm cover
	HS 10532	3570532		 6 418074 031259	Quick-locking wing head (hinged) for 30 mm cover

	Order symbol	Code	Dimensions	EAN code	Description
	MB 10534	3540534		 6 418074 030696	Threaded bushing to be ordered separately with quick-lock screws
	SS 10563	3540563		 6 418074 030733	Cross head for 80 mm cover
	HS 10562	3540562		 6 418074 030726	Wing head for 80 mm cover
	DS 10581	3540581		 6 418074 030757	Triangle head for 30/80/100 mm cover
	MB 10673	3570673		 6 418074 031563	Triangular key for cover screw DS 10581
	SS 10256 N	3510256		 6 418074 030023	Slotted head for 30 mm cover
	HS 10255 N	3510255		 6 418074 030016	Wing head for 30 mm cover
	SS 10256-4	3544256		 6 418074 030856	Set of 4 cross head screws for 30/100 mm cover
	SS 10256-6	3546256		 6 418074 030979	Set of 6 cross head screws for 30/100 mm cover
	SS 10563-4	3544563		 6 418074 030870	Set of 4 cross head screws for 80 mm cover
Spacers for corners of the base					
	MR 10726	5070726		 6 418074 032089	Spacer 15 mm M6 self-cutting
	MR 10727	5070727		 6 418074 032096	Spacer 20 mm M6 self-cutting
	MR 10728	5070728		 6 418074 032102	Spacer 30 mm M6 self-cutting
	MR 10729	5070729		 6 418074 032119	Spacer 54 mm M6 self-cutting
	HR 10	3570655		 6 418074 040596	Extension for MR spacer 10 mm, M6/M6

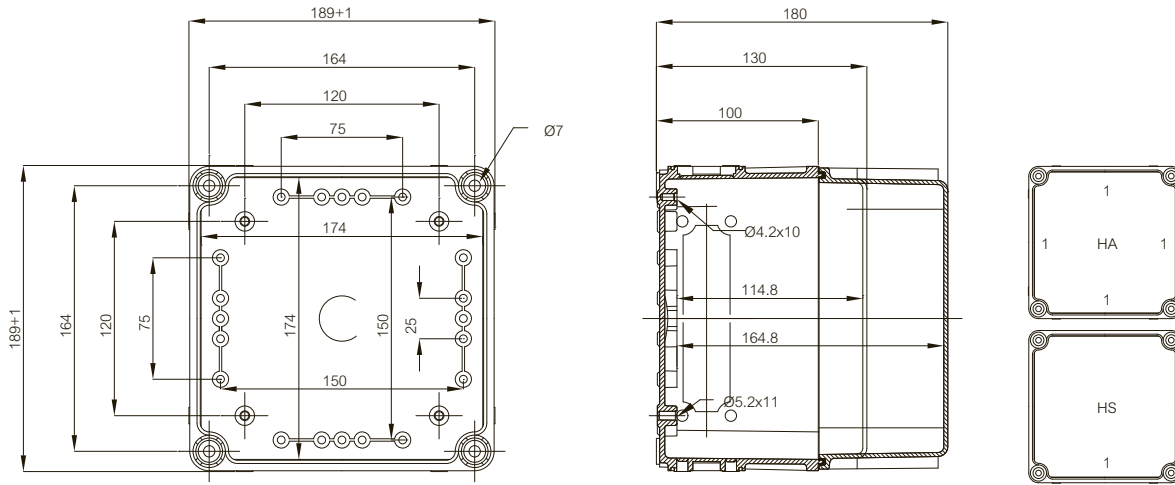
	Order symbol	Code	Dimensions	EAN code	Description
	HR 15	3570656		 6 418074 031501	Extension for MR spacer 15 mm, M6/M6
	HR 20	3570657		 6 418074 031518	Extension for MR spacer 20 mm, M6/M6
	HR 30	3570658		 6 418074 031525	Extension for MR spacer 30 mm, M6/M6
Spacers for middle mounting pods					
	FA 12053	4712053		 6 418074 032171	Spacer 14 mm M5 self-cutting
	FA 12052	4712052		 6 418074 032164	Spacer 42 mm M5 self-cutting
Key-Lock Set					
	MB 10597	3570597		 6 418074 039668	Lock and two keys for 30mm covers only
Connecting enclosures					
	MB 10671	3570671		 6 418074 030795	Connector set, size 1 incl. 4 screws
	MB 10670	3570670		 6 418074 030788	Connector set, size 2 incl. 4 screws
	MB 10672	3570672		 6 418074 030801	Connector set, size 3 incl. 4 screws
	MB 10472	3570472		 6 418074 031235	Plastic head screw (M6x30) for the assembly of bases
	MB 10474	3570474		 6 418074 031242	Plastic head screw (M8x30) for the assembly of bases
	M-6	3570576		 6 418074 031495	Lock nut for plastic head screws M6

	Order symbol	Code	Dimensions	EAN code	Description
	M-8	3570577		 6 418074 031389	Lock nut for plastic head screws M8
Base connectors					
	MB 10717	3530717		 6 418074 030481	Connection bridge and gasket Size 2
	MB 10718	3530718		 6 418074 030498	Connection bridge and gasket Size 3
Fastening of big systems					
	EKZKK1	3570573		 6 418074 052452	Connecting rail standard lenght 2000 mm
	EKSZY2	3570572		 6 418074 031334	Stud rail standard lenght 2000 mm
	EKZKH1	3570613		 6 418074 031440	Sleeve lock for connecting rail
Plates and connectors (More products on Cable Management section)					
	MB 10215	3530215	49x140	 6 418074 030269	Cover plate size 1
	MB 10546	3530546	85x216	 6 418074 030320	Cover plate size 2
Metric flange plates					
	MB 10862	3530862	85x216	 6 418074 052148	Size 2 2xM16+3xM20+2xM25+2xM32, PUR gasket
	MB 10857	3530857	85x216	 6 418074 033017	Size 2 4xM12+4xM12/M20+4xM16/M25

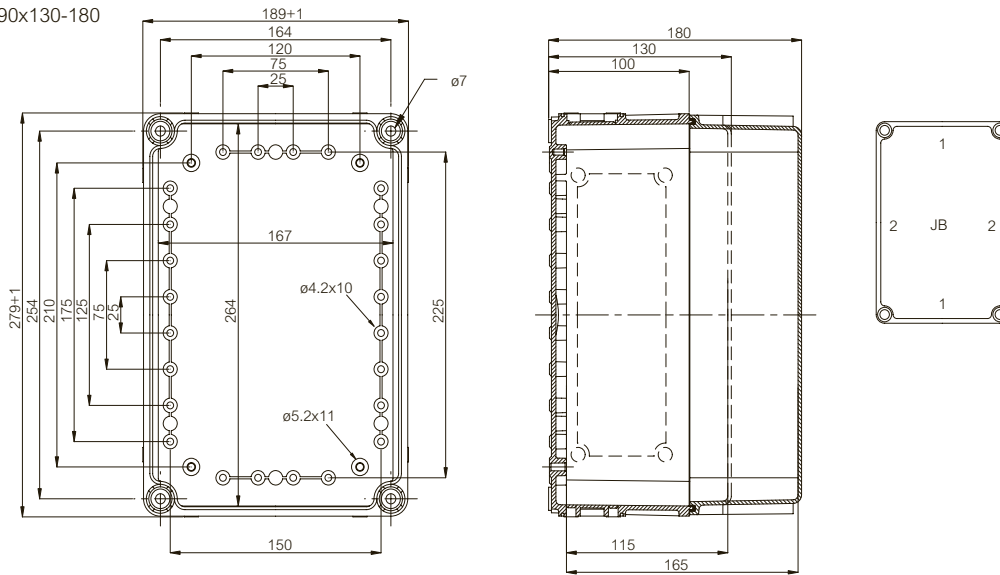
	Order symbol	Code	Dimensions	EAN code	Description
PG Flange plates					
	MB 10014	3530014	85x216	 6 418074 030184	Size 2 12x PG16
	MB 10596	3530596	85x216	 6 418074 030368	Size 2 4x PG11/21+7x PG16
Membrane flange plates					
	FMB 5F	3550794	49x140	 6 418074 056511	Size 1, Lead-through 8 (Ø2.5-25mm) Optional RJ-45 lead-through
	FMC 25F	3550796	85x217	 6 418074 056535	Size 2, Lead-through 29 (Ø3-26mm) Optional RJ-45 lead-through
Connector sets					
	MB 10671	3570671		 6 418074 030795	Connector set, size 1 incl. 4 screws
	MB 10670	3570670		 6 418074 030788	Connector set, size 2 incl. 4 screws
Flange gaskets					
	MK 10437	3510437		 6 418074 030078	Flange gasket size 1
	MK 10438	3510438		 6 418074 030085	Flange gasket size 2

Dimensional drawings

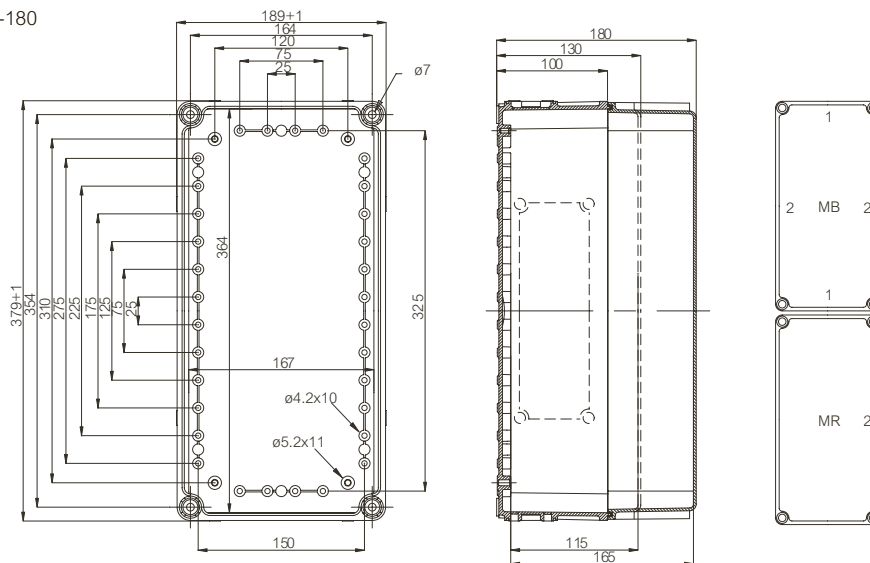
EK 190x190x130-180



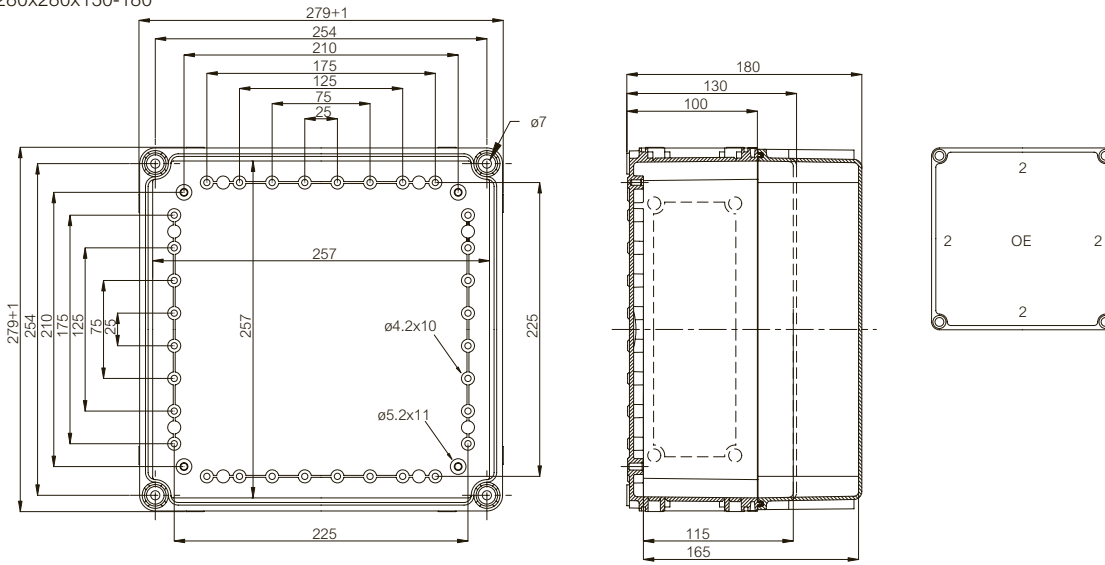
EK 280x190x130-180



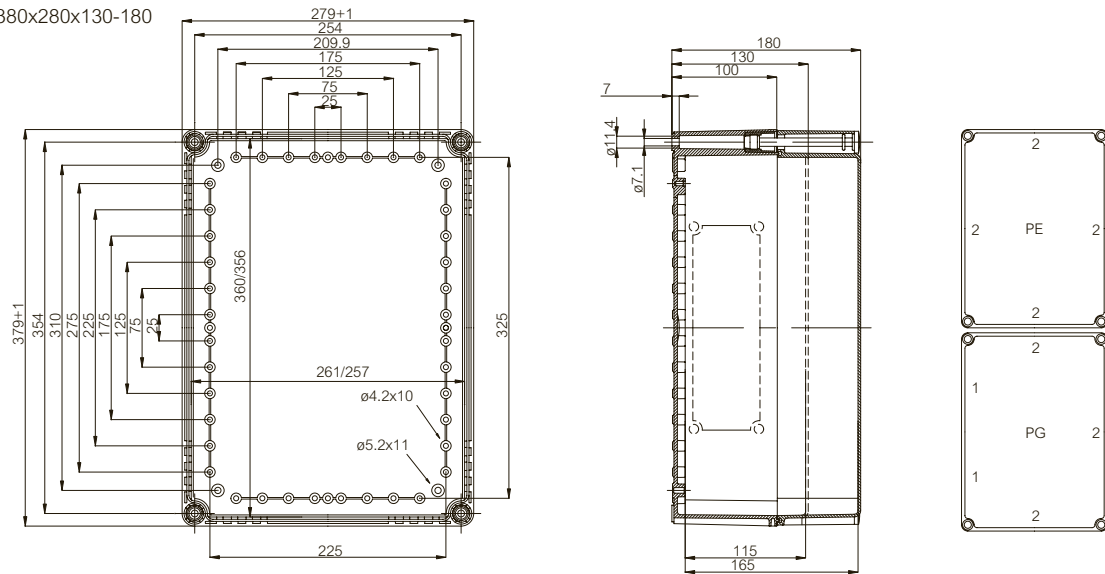
EK 380x190x130-180



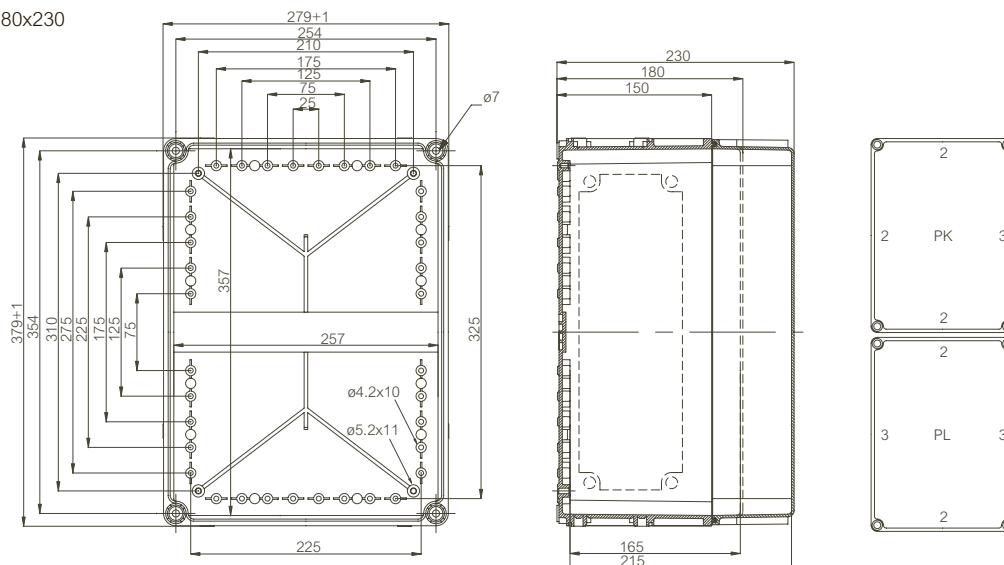
EK 280x280x130-180



EK 380x280x130-180

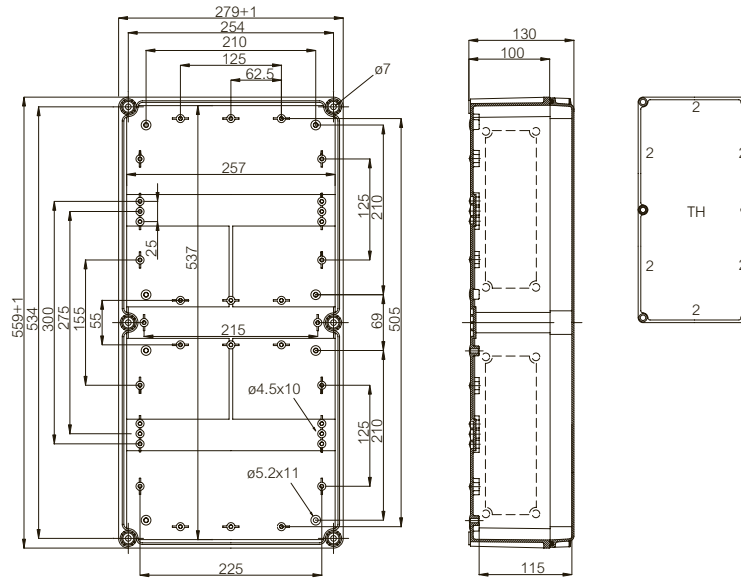


EK 380x280x230

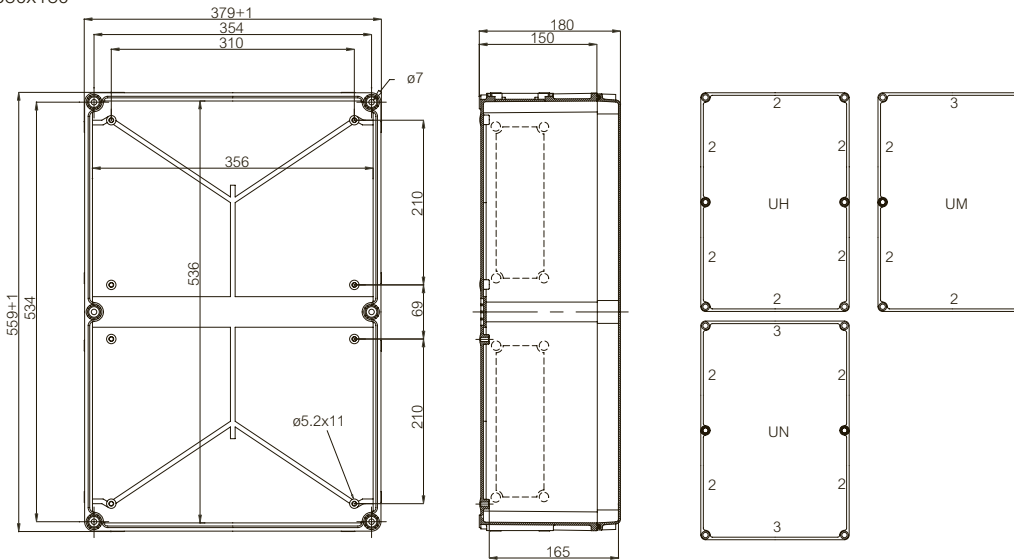


Dimensional drawings

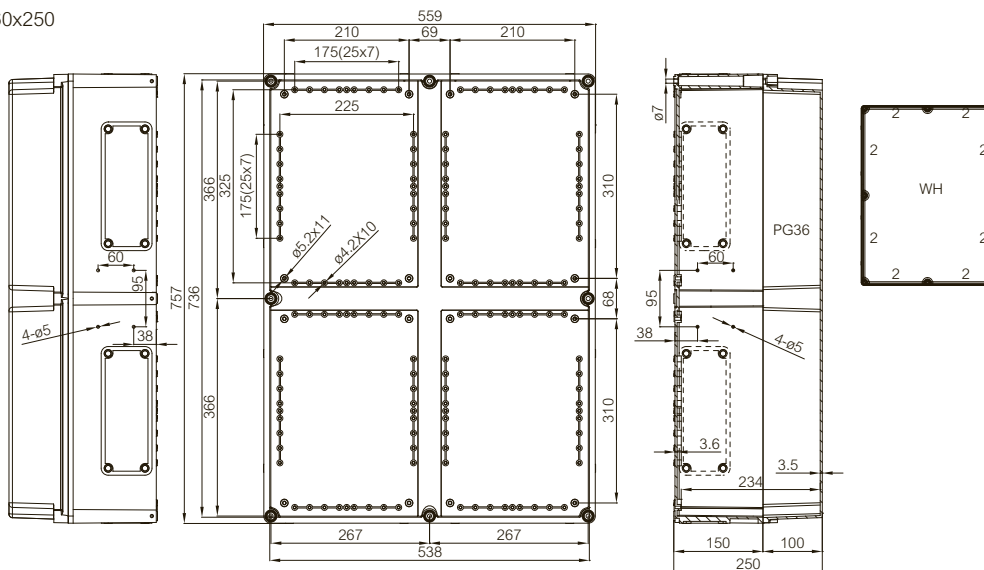
EK 560x280x130



EK 560x380x180



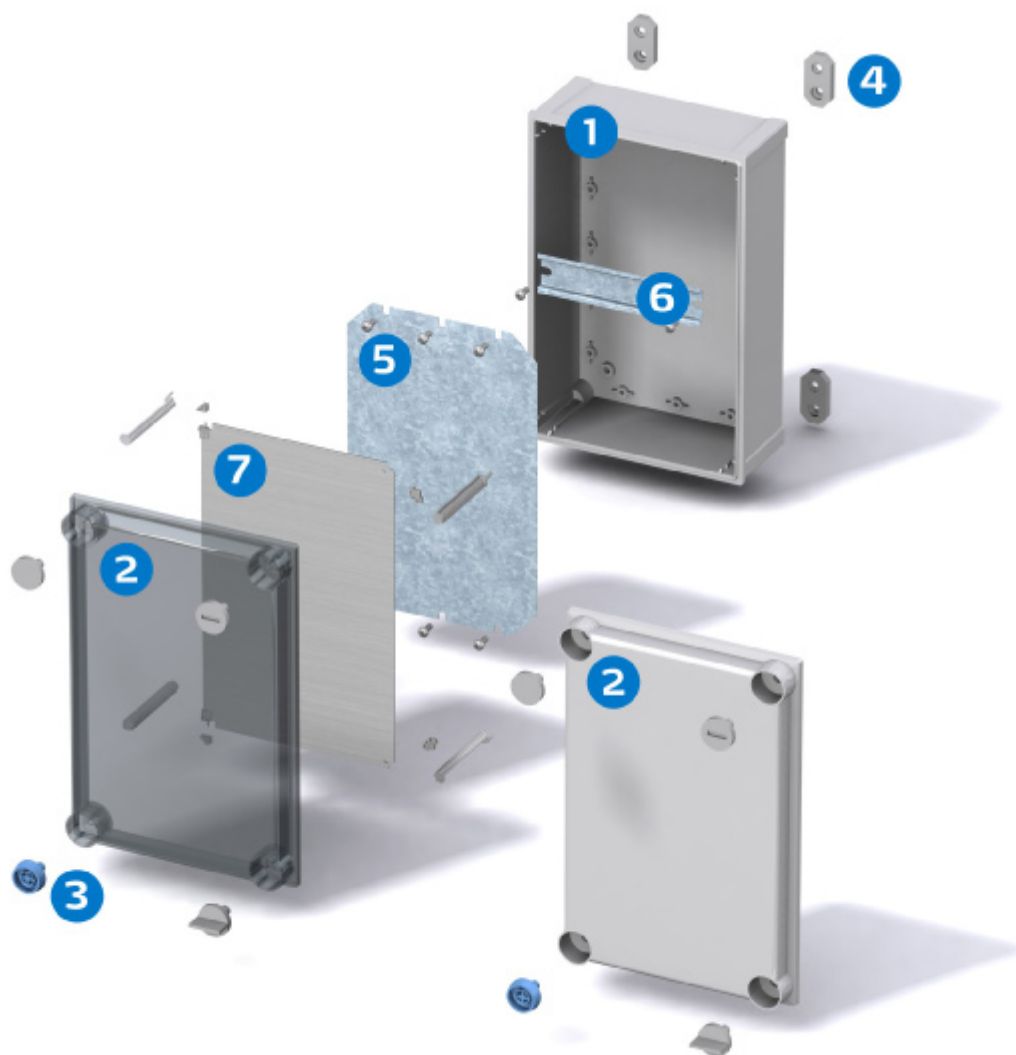
EK 760x560x250





For harsh industrial and outdoor environments
 These smart, modern enclosures are so-named after their quick-screw covers. They're easy to close and open, but offer good protection against tampering. A large range of accessories is available.

Highly impact-resistant polycarbonate, suitable for rough industrial environments. Practical version with quick screw cover.



Enclosure

- 1 Base
- 2 Cover, grey or transparent
- 3 Cover screws, various versions

Accessories

- 4 Mounting set with cover screw attachments
- 5 Mounting plate, electro-galvanised steel, stable and impact-resistant
- 6 DIN rail
different sizes TS 35
- 7 Pivotal front plate, aluminium

QUICK

Including: Base with screws for mounting plate/DIN-rail, internal corner plugs, cover with PUR gasket and CS 12137 cover screws.

PC: IP66/IP67, IK08

Dimensions	Order Symbol	Code	EAN Code	Description
300x200x170 mm				
	CAB PCQ 302017 G	8113338	 6 418074 011145	Cabinet, PC Grey cover
	CAB PCQ 302017 T	8113038	 6 418074 011077	Cabinet, PC Smoked transparent cover
	CAB ABSQ 302017 G	8183338	 6 418074 011282	Cabinet, ABS Grey cover
	CAB ABSQ 302017 T	8183038	 6 418074 011213	Cabinet, ABS Smoked transparent cover
300x300x170 mm				
	CAB PCQ 303017 G	8113348	 6 418074 011152	Cabinet, PC Grey cover
	CAB PCQ 303017 T	8113048	 6 418074 011084	Cabinet, PC Smoked transparent cover
	CAB ABSQ 303017 G	8183348	 6 418074 011299	Cabinet, ABS Grey cover
	CAB ABSQ 303017 T	8183048	 6 418074 011220	Cabinet, ABS Smoked transparent cover
400x300x170 mm				
	CAB PCQ 403017 G	8113358	 6 418074 011169	Cabinet, PC Grey cover
	CAB PCQ 403017 T	8113058	 6 418074 011091	Cabinet, PC Smoked transparent cover
	CAB ABSQ 403017 G	8183358	 6 418074 011305	Cabinet, ABS Grey cover
	CAB ABSQ 403017 T	8183058	 6 418074 011237	Cabinet, ABS Smoked transparent cover



Dimensions	Order Symbol	Code	EAN Code	Description
400x300x230 mm				
	CAB PCQ 403023 G	8113458	 6 418074 011176	Cabinet, PC Grey cover
	CAB PCQ 403023 T	8113158	 6 418074 011107	Cabinet, PC Smoked transparent cover
	CAB ABSQ 403023 G	8183858	 6 418074 011312	Cabinet, ABS Grey cover
	CAB ABSQ 403023 T	8183158	 6 418074 011244	Cabinet, ABS Smoked transparent cover
400x400x170 mm				
	CAB PCQ 404017 G	8113488	 6 418074 011183	Cabinet, PC Grey cover
	CAB PCQ 404017 T	8113088	 6 418074 011114	Cabinet, PC Smoked transparent cover
	CAB ABSQ 404017 G	8183888	 6 418074 011329	Cabinet, ABS Grey cover
	CAB ABSQ 404017 T	8183188	 6 418074 011251	Cabinet, ABS Smoked transparent cover
600x300x170 mm				
	CAB PCQ 603017 G	8113468	 6 418074 024633	Cabinet, PC Grey cover
	CAB PCQ 603017 T	8113068	 6 418074 024626	Cabinet, PC Smoked transparent cover

QUICK

Including: Base with screws for mounting plate/DIN-rail, internal corner plugs, cover with PUR gasket and CS 12137 cover screws.

PC: IP66/IP67, IK08

Dimensions	Order Symbol	Code	EAN Code	Description
600x400x210 mm				
	CAB PCQ 604021 G	8113378	 6 418074 011190	Cabinet, PC Grey cover
	CAB PCQ 604021 T	8113078	 6 418074 011121	Cabinet, PC Smoked transparent cover
	CAB ABSQ 604021 G	8183378	 6 418074 011336	Cabinet, ABS Grey cover
	CAB ABSQ 604021 T	8183078	 6 418074 011268	Cabinet, ABS Smoked transparent cover
600x400x270 mm				
	CAB PCQ 604027 G	8113478	 6 418074 011206	Cabinet, PC Grey cover
	CAB PCQ 604027 T	8113178	 6 418074 011138	Cabinet, PC Smoked transparent cover
	CAB ABSQ 604027 G	8183878	 6 418074 011343	Cabinet, ABS Grey cover
	CAB ABSQ 604027 T	8183178	 6 418074 011275	Cabinet, ABS Smoked transparent cover

QUICK technical information

Property	Polycarbonate (PC)	ABS	Confirmity to standards
Ingress Protection (EN 60529)	IP 66/IP 67	IP 66/IP 67	USA Enclosures for Electrical Equipment PC: NEMA 1, 3, 3S, 4, 4X, 12 or 13; UL 746C-5VA flame test (UL 50/508)* ABS: NEMA 1, 3, 3S, 4, 4X, 6, 6P, 12 or 13 Canada Industrial Control Equipment Enclosures for Electrical Equipment/ULc* Europe Empty enclosures for low-voltage switchgear and controlgear assemblies EN 62208:2003 Europe Safety of Information Technology Equipment EN 60950 RoHS directive 2002/95/EC Russia GostR - Gost Russian certificate of conformity *UL label on request
Impact Resistance (EN 62262)	IK 08	IK 08	
Température Range Celsius (short term) Fahrenheit	-40°...120°C -40°...250°F	-40°...80°C -40°...175°F	
Température Range Celsius (continuous) Fahrenheit	-40°...80°C -40°...175°F	-40°...60°C -40°...140°F	
Electrical Insulation	Totally insulated ☐	Totally insulated ☐	
Light Grey Parts Colour	RAL 7035 Industry Grey	RAL 7035 Industry Grey	
Transparent Clear PC Cover	Smoked Grey	Smoked Grey	
Cover Screw Heads	RAL 5023	RAL 5023	
Cover Screw Heads	Polyamide (PA)	Polyamide (PA)	
Gasket	PUR	PUR	
Enclosure Flammability Rating	UL 746C 5V*		
Glow Wire Test (IEC 695-2-1) Self-extinguishing (PC)	960°C	650°C	
Non-toxicity	Halogen Free	Halogen Free	
UV resistance	UL 508 720 hours in "Weatherometer"		
Chemical Resistance *	Good	Good	

Data subject to change without notice.



**Consult separate raw material data for more detailed information



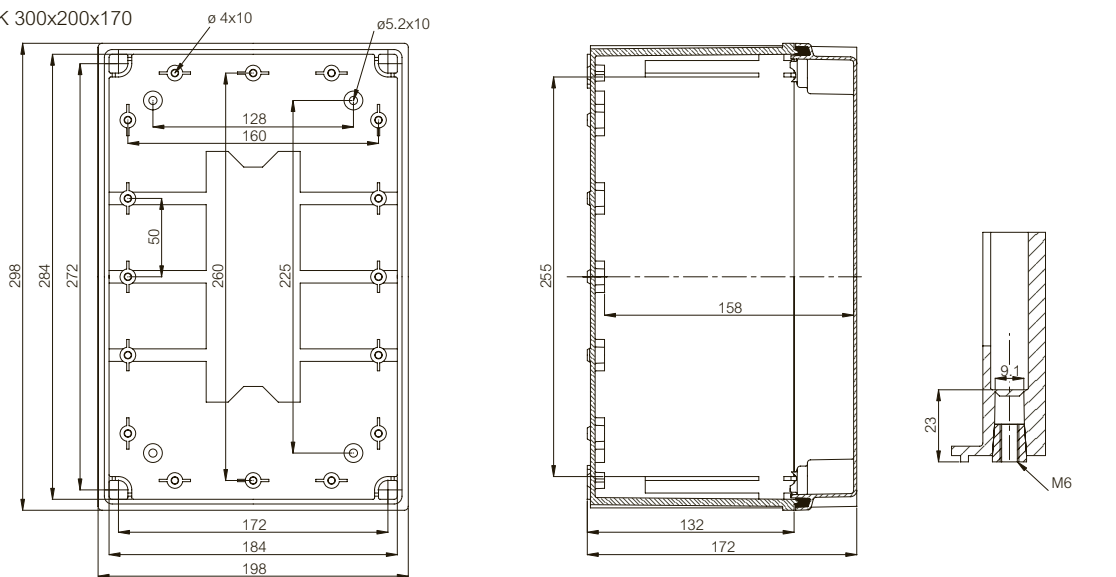
	Order symbol	Code	Dimensions	EAN code	Description
Mounting plates (Galvanized steel, sheet thickness 1,5 mm)					
	EKIV 23	4712117	270x170	 6 418074 032713	Mounting plate, for enclosures: 300x200x170, 300x200x180
	EKIV 33	4712118	270x270	 6 418074 032720	Mounting plate, for enclosures: 300x300x170, 300x300x180, 600x300x170
	EKIV 43	4712119	270x370	 6 418074 032737	Mounting plate, for enclosures: 400x300x170, 400x300x230, 400x300x180
	EKIV 44	4712289	370x370	 6 418074 034984	Mounting plate, for enclosures: 400x400x170
	EKIV 63	4712120	270x570	 6 418074 032744	Mounting plate, for enclosures: 600x300x170
	EKIV 64H	4712300	370x570	 6 418074 034991	Mounting plate, for enclosures: 600x400x210, 600x400x270, 600x400x220
Spacers					
	FA 12053	4712053		 6 418074 032171	Spacer 14 mm M5 self-cutting
	FA 12052	4712052		 6 418074 032164	Spacer 42 mm M5 self-cutting
DIN-35 Mounting rails (Galvanized steel, rail height 7,5 mm)					
	EKIV 17	4712126	166x35	 6 418074 032768	DIN-35 Mounting rail, for enclosures: 300x200x170, 300x200x180
	EKIV 27	4712127	266x35	 6 418074 032775	DIN-35 Mounting rail, for enclosures: 300x200x170-400x300x230, 300x200x180-400x300x180
	EKIV 37	4712128	366x35	 6 418074 032782	DIN-35 Mounting rail, for enclosures: 400x300x170, 400x300x230, 400x400x170, 600x400x210, 600x400x270, 400x300x180, 500x400x200, 600x400x220
	EKIV 47	8392231	466x35	 6 418074 021670	DIN-35 Mounting rail, for enclosures: 500x400x200

	Order symbol	Code	Dimensions	EAN code	Description
Front plates (Aluminium, sheet thickness 1,5 mm)					
	FP A 23	8392226	268x166	 6 418074 021564	Swing-out door/Front plate (aluminium), for enclosures: 300x200x170, 300x200x180
	FP A 33	8392227	268x266	 6 418074 021571	Swing-out door/Front plate (aluminium), for enclosures: 300x300x170, 300x300x180
	FP A 43	8392224	368x266	 6 418074 021588	Swing-out door/Front plate (aluminium), for enclosures: 400x300x170, 400x300x230, 400x300x180
	FP A 44	8392272	368x368	 6 418074 035035	Swing-out door/Front plate (aluminium), for enclosures: 400x400x170
	FP A 63	8392399	568x266	 6 418074 052377	Swing-out door/Front plate (aluminium), for enclosures: 600x300x170
	FP A 64	8392229	366x568	 6 418074 021601	Swing-out door/Front plate (aluminium), for enclosures: 600x400x210, 600x400x270, 600x400x220
Swing door sets					
	MB 12225 AL	8390007		 6 418074 033116	Swing door set for aluminium front plates
	MB 12225	8390001		 6 418074 021540	Swing door set for plastic front plates

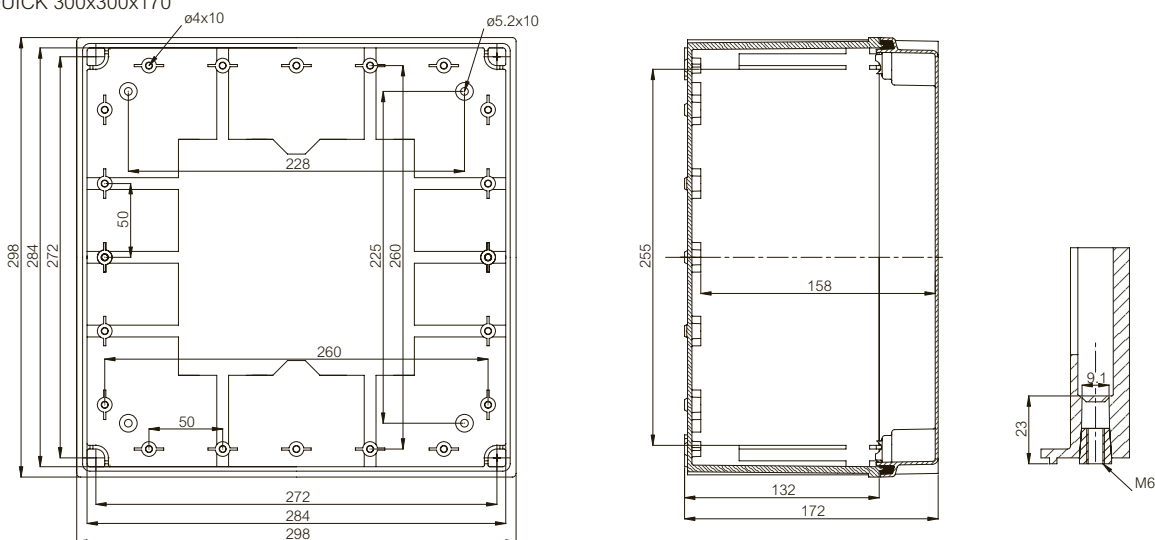
	Order symbol	Code	Dimensions	EAN code	Description
Front plate with module openings					
	FP 12-23	8392218	278x178	 6 418074 021618	Front plate, for enclosures: 300x200x170, 300x200x180
	FP 12-33	8392219	278x278	 6 418074 021625	Front plate, for enclosures: 300x300x170, 300x300x180
	FP 12x2-33	8392220	278x278	 6 418074 021632	Front plate, for enclosures: 300x300x170, 300x300x180
	FP 12x2-43	8392222	278x378	 6 418074 021649	Front plate, for enclosures: 400x300x170, 400x300x230, 400x300x180
	FP 12x3-43	8392221	278x378	 6 418074 021663	Front plate, for enclosures: 400x300x170, 400x300x230, 400x300x180
	FP 18x2-44	8392286	378x378	 6 418074 035929	Front plate, for enclosures: 400x400x170
	FP 18x3-64	8392232	378x578	 6 418074 035943	Front plate, for enclosures: 600x400x210, 600x400x270, 600x400x220
DIN rail supports					
	FP 12190	4512190		 6 418074 032478	DIN rail support
	FP 12190SET	4712190		 6 418074 032904	DIN rail support set
Hinges and wall mounting					
	PAT 12040	4512040		 6 418074 032409	Hinge set incl. screws
	FP 12017	4712045		 6 418074 032560	Wall fastening lug (4 pcs)
	SP 12087	4712087		 6 418074 032621	Corner plug, red

	Order symbol	Code	Dimensions	EAN code	Description
DIN rail frame sets					
	DRF 23	4712200		 6 418074 040923	DIN rail frame set, for enclosures: 300x200x170, 300x200x180
	DRF 33	4712205		 6 418074 040930	DIN rail frame set, for enclosures: 300x200x170, 300x300x170, 600x300x170, 300x300x180
	DRF 43/44	4712201		 6 418074 040947	DIN rail frame set, for enclosures: 400x300x170, 400x300x230, 400x400x170, 400x300x180
	DRF 63/64	4712204		 6 418074 040961	DIN rail frame set, for enclosures: 600x400x210, 600x400x270, 600x400x220
Cover screw heads and mounting screws					
	CS 12137	4512137		 6 418074 035905	Cover screw head, blue crossed head
	SS 12136	4712136		 6 418074 032843	Cover screw grey slotted head
	HS 12112	4712112		 6 418074 032690	Cover screw grey wing head
	BS 12138	4712138		 6 418074 032867	Cover screw grey blind head
	QUICK SET	8390002		 6 418074 039842	Set includes 4x CS 12137, 4x SP 12087 and 4 mounting screws
	MSM PT 5x10	4712049		 6 418074 032577	Mounting screw

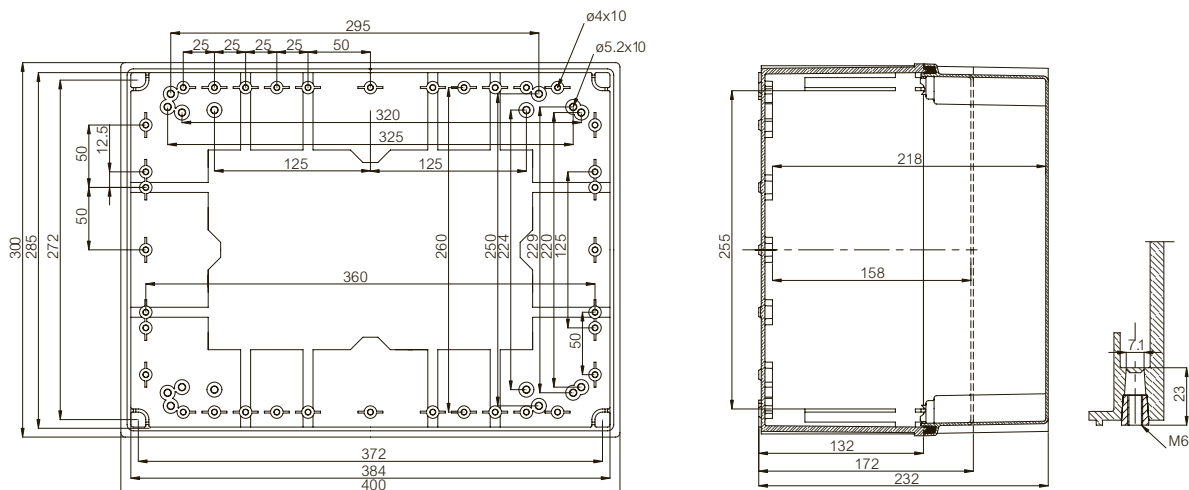
QUICK 300x200x170



QUICK 300x300x170

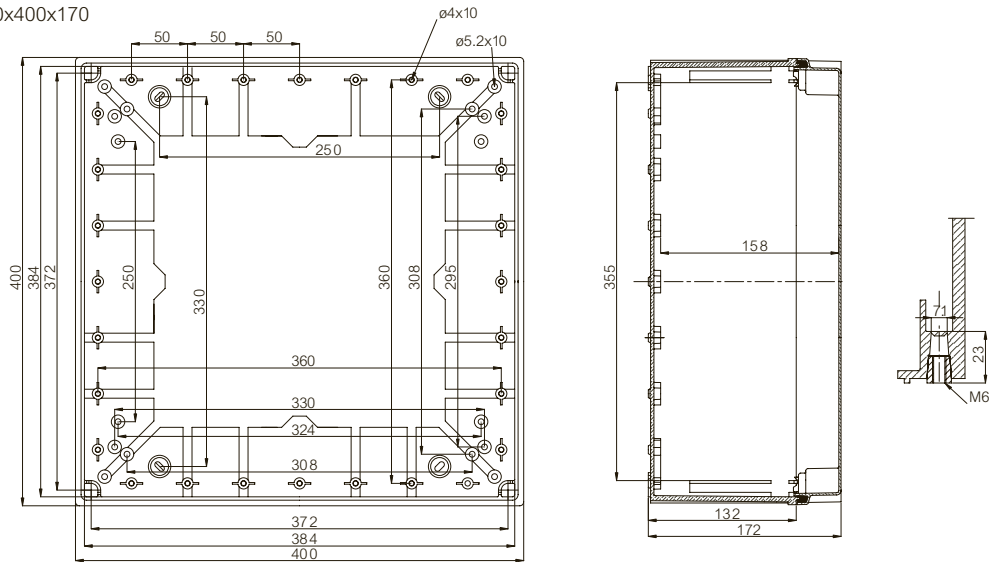


QUICK 400x300x170-230

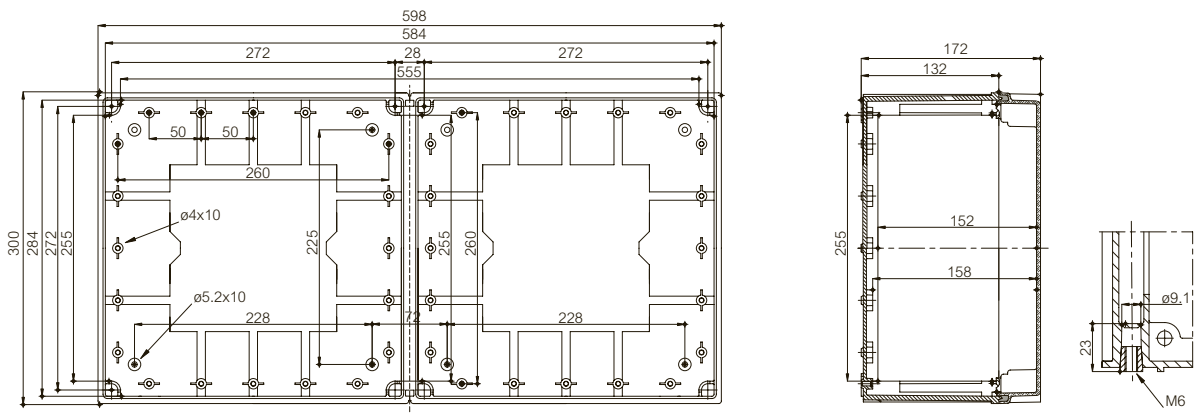


Dimensional drawings

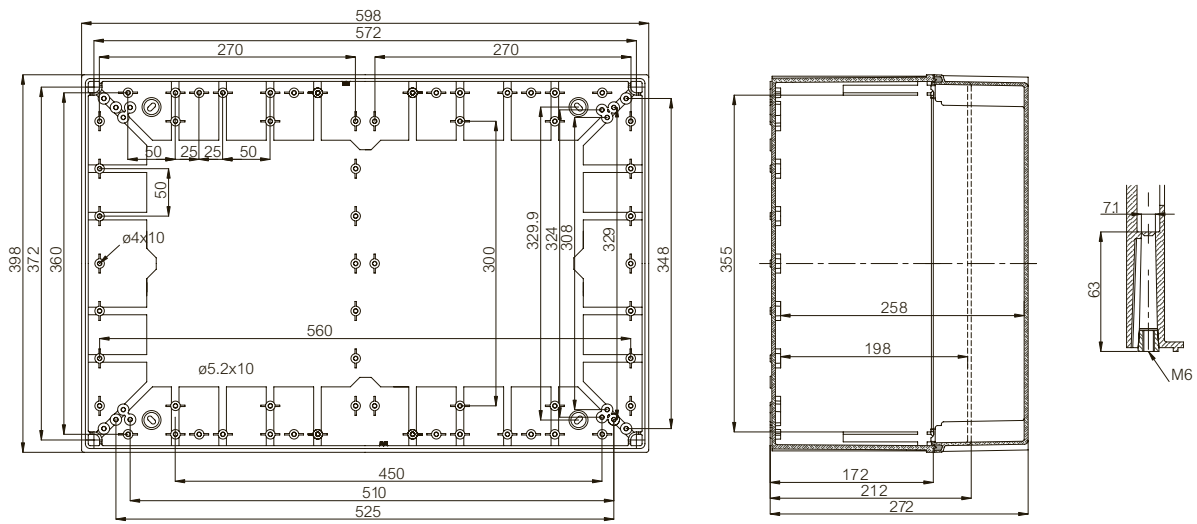
QUICK 400x400x170



QUICK 600x300x170



QUICK 600x400x210-270

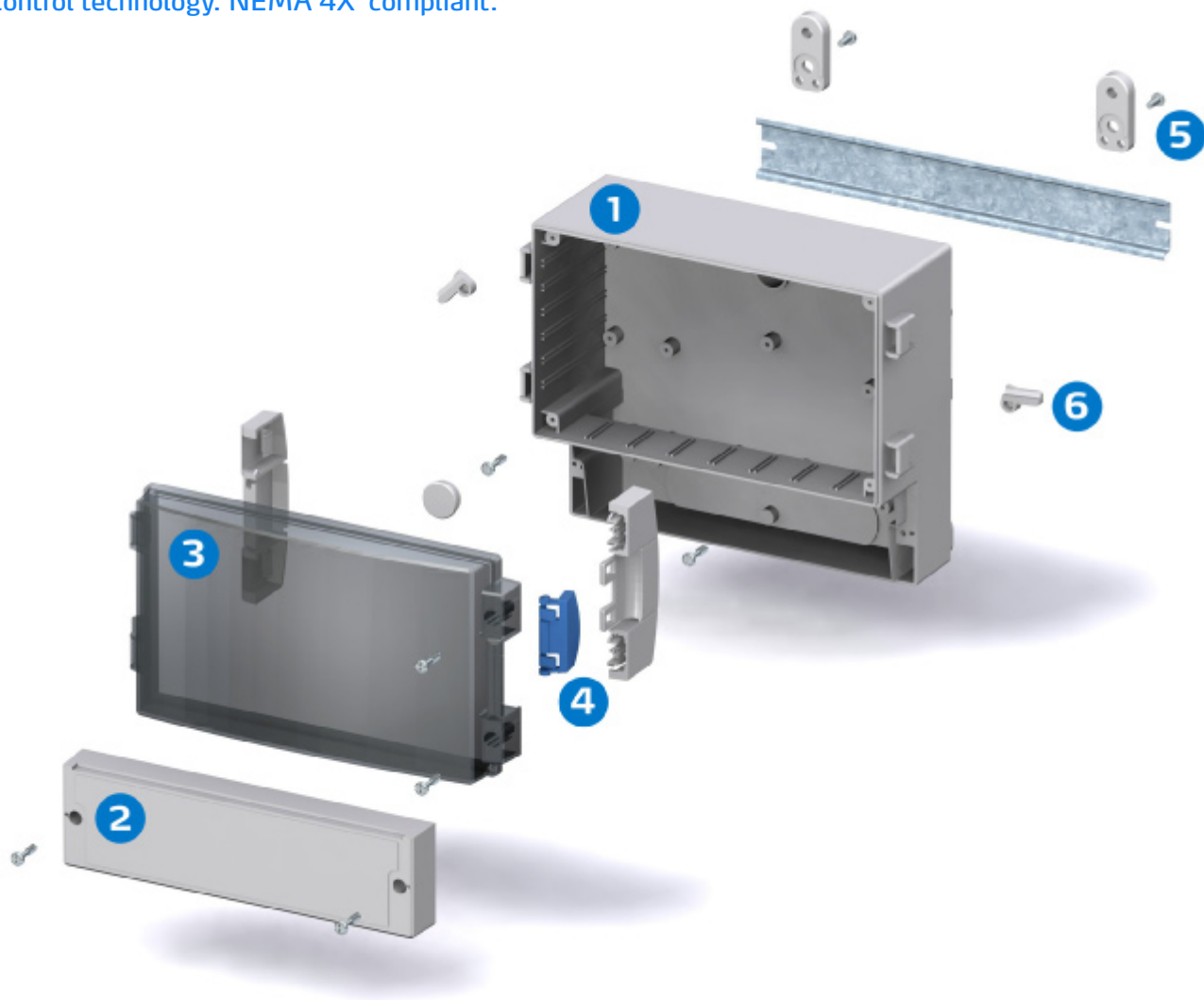




Two compartments in one

Cardmaster is a modern new design which keeps the sensitive electronics and display equipment away from the connection chamber. Ready access to surface mounted components via hinged covers or rigid front plates. Cardmaster is compatible with existing competitors ranges.

Everything under control in the field of measurement and control technology. NEMA 4X compliant.



Enclosure

- 1 Basic enclosure optionally available with or without knockouts
- 2 PC front plate frame or transparent hinged cover options are standard. PUR gasket and assembly screws are included. Separate connection compartment.
- 3 Polycarbonate and ABS enclosure body available.
- 4 Facility to install tamper proof locking screws in the hinged cover.

Accessories

- 5 Fastening lugs, 2 pcs. incl. screws hinge and lock set
- 6 Internal mounting options and external din-rail mounting facility are included.

CARDMASTER

Including: Base, terminal compartment cover and screws for mounting plate/DIN-rail. -3 and -L3 versions: Transparent cover with PUR gasket, hinges, locking devices; FC version: Closed PC frame front plate with PUR gasket and cover screws.

17/16-25/22 PC: IP66/IP67, IK08, ABS:IP65, IK07
30/25-36/31 PC: IP65, IK08, ABS: IP65, IK07

Dimensions	Order Symbol	Code	EAN Code	Description
166x160x80 mm				
	PC 17/16-LC3	7520104	 6 418074 039309	Enclosure, PC Without main cover
	ABS 17/16-LC3	7580104	 6 418074 039316	Enclosure, ABS Without main cover
166x160x89 mm				
	PC 17/16-LFC3	7520204	 6 418074 010247	Enclosure, PC Grey screw cover
166x160x106 mm				
	PC 17/16-L3	7525105	 6 418074 056719	Enclosure, PC Smoked transparent hinged cover
	PC 17/16-L3TT	7526105	 6 418074 062017	Enclosure, PC Clear transparent hinged cover
	ABS 17/16-L3	7585105	 6 418074 056764	Enclosure, ABS Smoked transparent hinged cover
	ABS 17/16-L3TT	7586105	 6 418074 062079	Enclosure, ABS Clear transparent hinged cover
166x160x108 mm				
	PC 17/16-C3	7520080	 6 418074 010179	Enclosure, PC Without main cover
	ABS 17/16-C3	7580080	 6 418074 010193	Enclosure, ABS Without main cover

Including: Base, terminal compartment cover and screws for mounting plate/DIN-rail. -3 and -L3 versions: Transparent cover with PUR gasket, hinges, locking devices; FC version: Closed PC frame front plate with PUR gasket and cover screws.

17/16-25/22 PC: IP66/IP67, IK08, ABS:IP65, IK07
30/25-36/31 PC: IP65, IK08, ABS: IP65, IK07

Dimensions	Order Symbol	Code	EAN Code	Description
166x160x118 mm				
	PC 17/16-FC3	7520280	 6 418074 010254	Enclosure, PC Grey screw cover
166x160x134 mm				
	PC 17/16-3	7525165	 6 418074 056726	Enclosure, PC Smoked transparent hinged cover
	PC 17/16-3TT	7526165	 6 418074 062024	Enclosure, PC Clear transparent hinged cover
	ABS 17/16-3	7585165	 6 418074 056771	Enclosure, ABS Smoked transparent hinged cover
	ABS 17/16-3TT	7586165	 6 418074 062086	Enclosure, ABS Clear transparent hinged cover
213x185x90 mm				
	PC 21/18-C3	7520081	 6 418074 010216	Enclosure, PC Without main cover
	ABS 21/18-C3	7580081	 6 418074 010230	Enclosure, ABS Without main cover
213x185x102 mm				
	PC 21/18-FC3	7520281	 6 418074 010261	Enclosure, PC Grey screw cover

CARDMASTER

Including: Base, terminal compartment cover and screws for mounting plate/DIN-rail. -3 and -L3 versions: Transparent cover with PUR gasket, hinges, locking devices; FC version: Closed PC frame front plate with PUR gasket and cover screws.

17/16-25/22 PC: IP66/IP67, IK08, ABS:IP65, IK07
30/25-36/31 PC: IP65, IK08, ABS: IP65, IK07

Dimensions	Order Symbol	Code	EAN Code	Description
213x185x119 mm				
	PC 21/18-3	7525154	 6 418074 056733	Enclosure, PC Smoked transparent hinged cover
	PC 21/18-3TT	7526154	 6 418074 062031	Enclosure, PC Clear transparent hinged cover
	ABS 21/18-3	7585154	 6 418074 056788	Enclosure, ABS Smoked transparent hinged cover
	ABS 21/18-3TT	7586154	 6 418074 062093	Enclosure, ABS Clear transparent hinged cover
257x219x122 mm				
	PC 25/22-C3	7520141	 6 418074 059352	Enclosure, PC Without main cover
	ABS 25/22-C3	7580141	 6 418074 059369	Enclosure, ABS Without main cover
257x219x135 mm				
	PC 25/22-FC3	7520241	 6 418074 059376	Enclosure, PC Grey screw cover

Including: Base, terminal compartment cover and screws for mounting plate/DIN-rail. -3 and -L3 versions: Transparent cover with PUR gasket, hinges, locking devices; FC version: Closed PC frame front plate with PUR gasket and cover screws.

17/16-25/22 PC: IP66/IP67, IK08, ABS:IP65, IK07
30/25-36/31 PC: IP65, IK08, ABS: IP65, IK07

Dimensions	Order Symbol	Code	EAN Code	Description
257x219x156 mm				
	PC 25/22-3	7525134	 6 418074 059390	Enclosure, PC Smoked transparent hinged cover
	PC 25/22-3TT	7526134	 6 418074 062048	Enclosure, PC Clear transparent hinged cover
	ABS 25/22-3	7585134	 6 418074 059406	Enclosure, ABS Smoked transparent hinged cover
	ABS 25/22-3TT	7586134	 6 418074 062109	Enclosure, ABS Clear transparent hinged cover
314x260x95 mm				
	PC 30/25-C3	7520031	 6 418074 005854	Enclosure, PC With aluminium front plate
	ABS 30/25-C3	7580031	 6 418074 005946	Enclosure, ABS With aluminium front plate
314x260x110 mm				
	PC 30/25-FC3	7520231	 6 418074 059383	Enclosure, PC Grey screw cover

CARDMASTER

Including: Base, terminal compartment cover and screws for mounting plate/DIN-rail. -3 and -L3 versions: Transparent cover with PUR gasket, hinges, locking devices; FC version: Closed PC frame front plate with PUR gasket and cover screws.

17/16-25/22 PC: IP66/IP67, IK08, ABS:IP65, IK07
30/25-36/31 PC: IP65, IK08, ABS: IP65, IK07

Dimensions	Order Symbol	Code	EAN Code	Description
314x260x129 mm				
	PC 30/25-3	7525019	 6 418074 056740	Enclosure, PC Smoked transparent hinged cover
	PC 30/25-3TT	7526019	 6 418074 062055	Enclosure, PC Clear transparent hinged cover
	ABS 30/25-3	7585019	 6 418074 056795	Enclosure, ABS Smoked transparent hinged cover
	ABS 30/25-3TT	7586019	 6 418074 062116	Enclosure, ABS Clear transparent hinged cover
383x316x134 mm				
	PC 36/31-C3	7520032	 6 418074 005861	Enclosure, PC With aluminium front plate
	ABS 36/31-C3	7580032	 6 418074 005953	Enclosure, ABS With aluminium front plate
383x316x167 mm				
	PC 36/31-3	7525020	 6 418074 056757	Enclosure, PC Smoked transparent hinged cover
	PC 36/31-3TT	7526020	 6 418074 062062	Enclosure, PC Clear transparent hinged cover
	ABS 36/31-3	7585020	 6 418074 056801	Enclosure, ABS Smoked transparent hinged cover
	ABS 36/31-3TT	7586020	 6 418074 062123	Enclosure, ABS Clear transparent hinged cover

Including: Base, terminal compartment cover and screws for mounting plate/DIN-rail. -3 and -L3 versions: Transparent cover with PUR gasket, hinges, locking devices; FC version: Closed PC frame front plate with PUR gasket and cover screws.

17/16-25/22 PC: IP66/IP67, IK08, ABS:IP65, IK07
30/25-36/31 PC: IP65, IK08, ABS: IP65, IK07

CARDMASTER technical information

Property	Polycarbonate (PC)	ABS
Ingress Protection (EN 60529)	IP66/IP67 IP65	IP 65 IP 65
Impact Resistance (EN 62262)	IK 07 (side surface) IK 08 (front surface)	IK07
Température Range Celsius (short term) Fahrenheit	-40° . . 120°C -40° . . 250°F	-40° . . 80°C -40° . . 175°F
Température Range Celsius (continuous) Fahrenheit	-40° . . 80°C -40° . . 175°F	-40° . . 60°C -40° . . 140°F
Electrical Insulation	Totally insulated ☐	Totally insulated ☐
Light Grey Parts Colour	RAL 7035 Industry Grey	RAL 7035 Industry Grey
Transparent Clear PC Cover	Smoked Grey or Clear	Smoked Grey or Clear
Latches (PA)	RAL 5023	RAL 5023
Gasket	PUR/EPDM	PUR/EPDM
Enclosure Flammability Rating	UL 746C 5V*	
Glow Wire Test (IEC 695-2-1) Self -extinguishing (PC)	960°C	650°C
Non-toxicity	Halogen Free	Halogen Free
UV resistance	UL 508 720 hours in "Weatherometer"	
Chemical Resistance **	Good	Good

Confirmity to standards

USA Enclosures for Electrical Equipment
PC: UL Type 1, 4X* or 12K; UL File E75645 Vol 1 Sec 5;
UL 746C-5VA flame test (UL 50/508)*
PC 17/16L, 17/16 and 21/18: -3 and -FC3 -models
ABS: NEMA 1, 12K

Canada Industrial Control Equipment
Enclosures for Electrical Equipment/ULc*

Europe Empty enclosures for low-voltage switchgear and
controlgear assemblies EN 62208:2003

Europe Safety of Information Technology Equipment EN 60950
RoHS directive 2002/95/EC

Russia GostR - Gost Russian certificate of conformity

*UL label on request

Data subject to change without notice.

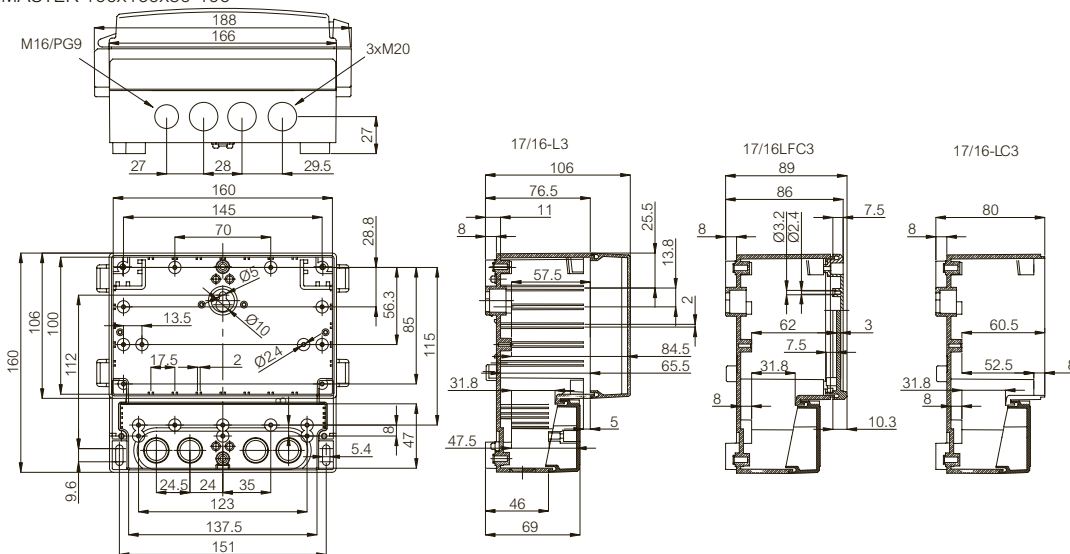
** Consult separate raw material data for more detailed information

	Order symbol	Code	Dimensions	EAN code	Description
Mounting plates (Galvanized steel, sheet thickness 1,5 mm)					
	MP 17/16	7720071	133x136	 6 418074 036735	Mounting plate, for enclosures: 166x160x80, 166x160x89, 166x160x106, 166x160x108, 166x160x118, 188x160x134
	MP 21/18	7720035	200x142	 6 418074 033383	Mounting plate, for enclosures: 213x185x90, 213x185x102, 235x185x119
	MP 25/22	7720140	175x225	 6 418074 059307	Mounting plate, for enclosures: 257x219x122, 257x219x135, 280x219x156
	MP 30/25	7720033	215x282	 6 418074 033390	Mounting plate, for enclosures: 314x260x95, 314x260x110, 320x260x129
	MP 36/31	7720036	258x345	 6 418074 033406	Mounting plate, for enclosures: 383x316x134, 390x316x167
Front plates (Aluminium, sheet thickness 1,5 mm)					
	FP 17/16	7720070	98x158	 6 418074 035783	Front plate (aluminium), for enclosures: 166x160x80, 166x160x89, 166x160x106, 166x160x108, 166x160x118, 188x160x134
	FP 21/18	7720026	117x205	 6 418074 033352	Front plate (aluminium), for enclosures: 213x185x90, 213x185x102, 235x185x119
	FP 25/22	7720139	150x250	 6 418074 059291	Front plate (aluminium), for enclosures: 257x219x122, 257x219x135, 280x219x156
	FP 30/25	7720027	189x289	 6 418074 033369	Front plate (aluminium), for enclosures: 314x260x95, 314x260x110, 320x260x129
	FP 36/31	7720028	224x354	 6 418074 033376	Front plate (aluminium), for enclosures: 383x316x134, 390x316x167

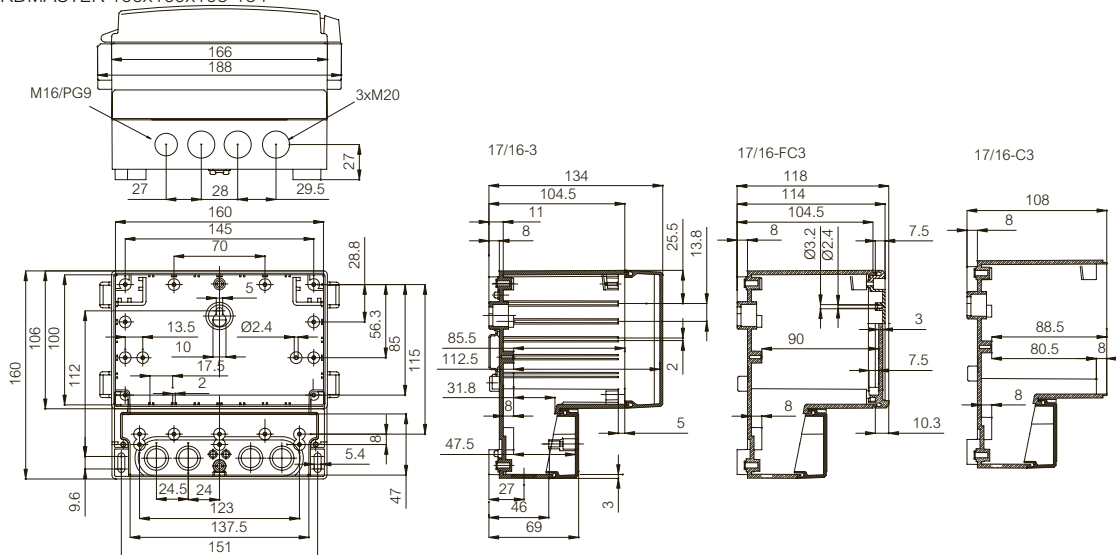
	Order symbol	Code	Dimensions	EAN code	Description
Frames IP 65 (Polycarbonate, PUR Gasket)					
	FC PC 17/16	7720102	106x166	 6 418074 034687	Frame of PC front plate, for enclosures: 166x160x80, 166x160x89, 166x160x106, 166x160x108, 166x160x118, 188x160x134
	FC PC 21/18	7720100	125x213	 6 418074 034670	Frame of PC front plate, for enclosures: 213x185x90, 213x185x102, 235x185x119
	FC PC 25/22	7720111	157x257	 6 418074 059338	Frame of PC front plate, for enclosures: 257x219x122, 257x219x135, 280x219x156
	FC PC 30/25	7720112	196x296	 6 418074 059345	Frame of PC front plate, for enclosures: 314x260x95, 314x260x110, 320x260x129
Smoked transparent covers (Polycarbonate, PUR Gasket)					
	CM 17/16-3T	7720123	106x187	 6 418074 056818	Cover, PC Smoked transparent
	CM 21/18-3T	7720122	125x233	 6 418074 056825	Cover, PC Smoked transparent
	CM 25/22-3T	7720134	157x279	 6 418074 059314	Cover, PC Smoked transparent
	CM 30/25-3T	7720094	196x318	 6 418074 056832	Cover, PC Smoked transparent
	CM 36/31-3T	7720113	233x386	 6 418074 056849	Cover, PC Smoked transparent

	Order symbol	Code	Dimensions	EAN code	Description
Clear transparent covers (Polycarbonate, PUR Gasket)					
	CM 17/16-3TT	7720223	106x187	 6 418074 061973	Cover, PC Clear transparent
	CM 21/18-3TT	7720222	125x233	 6 418074 061966	Cover, PC Clear transparent
	CM 25/22-3TT	7720234	157x279	 6 418074 061980	Cover, PC Clear transparent
	CM 30/25-3TT	7720294	196x318	 6 418074 061997	Cover, PC Clear transparent
	CM 36/31-3TT	7720213	233x386	 6 418074 062000	Cover, PC Clear transparent
Hinges and wall mounting					
	SET 17/16-21/18-3	7720417		 6 418074 056856	Set of hinges and latches
	SET 25/22-3	7720424		 6 418074 059321	Set of hinges and latches
	SET 30/25-3	7720418		 6 418074 056863	Set of hinges and latches
	SET 36/31-3	7720419		 6 418074 056870	Set of hinges and latches
	FP 10674	5510674		 6 418074 033079	Wall fastening lug (2 pcs) incl. screws
Mounting screws and other accessories					
	SET CM PLATE	7720566		 6 418074 062468	Screw set incl. 8 mounting screws and 2 locking screws
	SET CM FRAME	7720150		 6 418074 062475	Screw set
	MB 20064 SET	7720464		 6 418074 036346	Fastening lug set for DIN rail

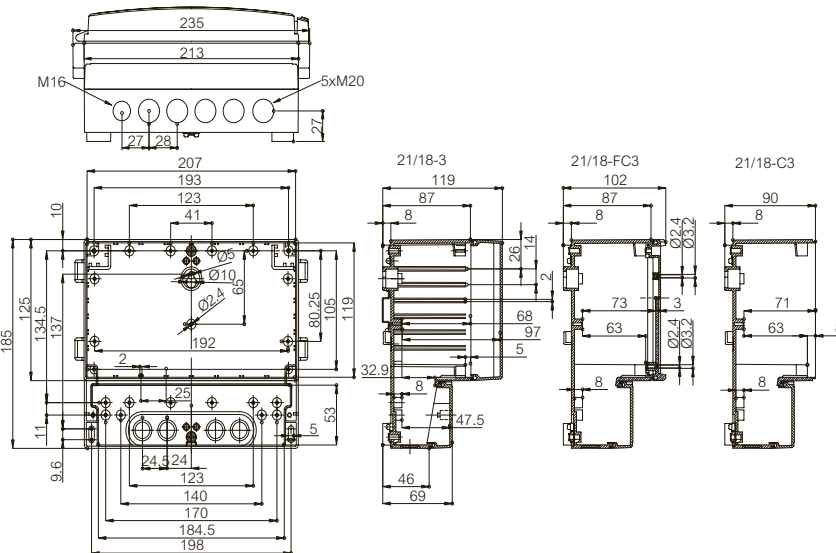
CARDMASTER 166x160x80-106



CARDMASTER 166x160x108-134

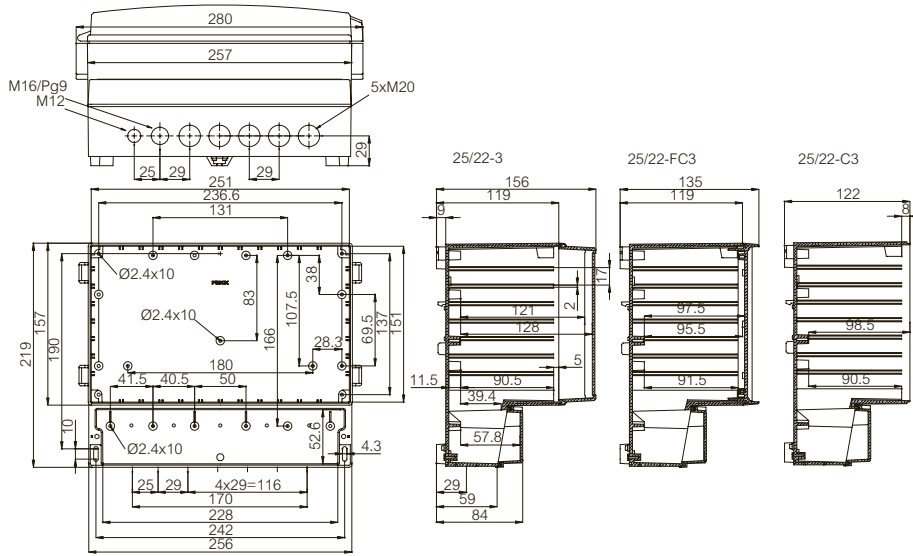


CARDMASTER 213x185x90-119

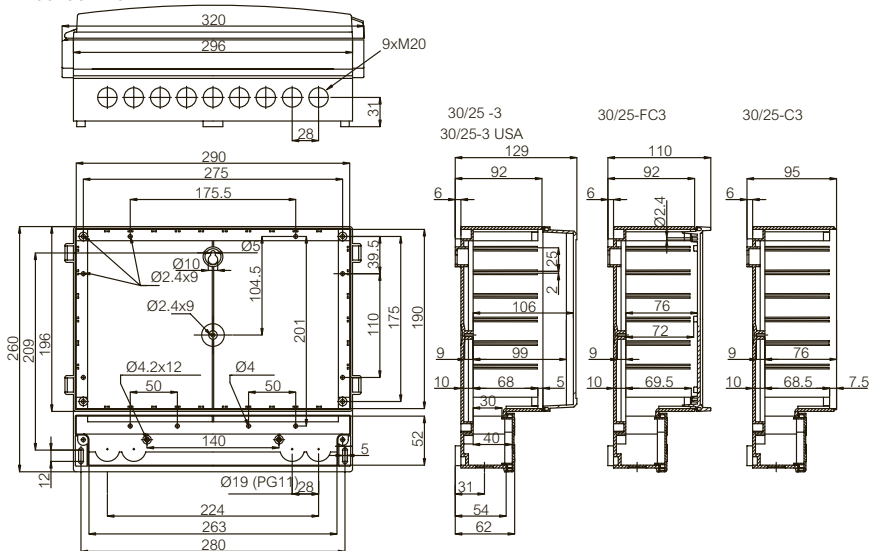


Dimensional drawings

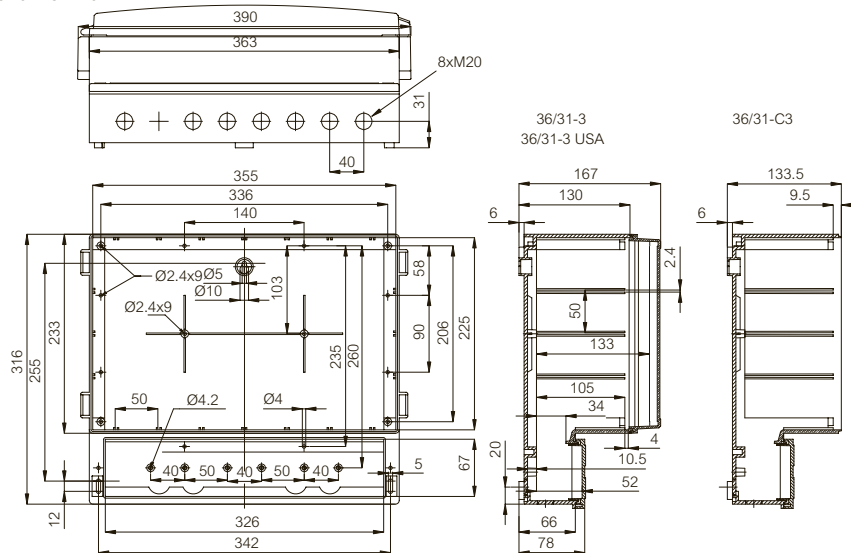
CARDMASTER 257x219x122-156



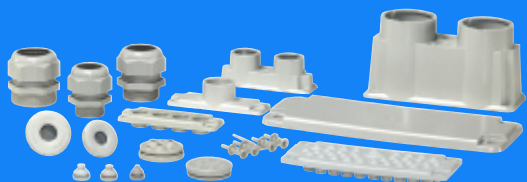
CARDMASTER 314x260x95-129



CARDMASTER 383x316x134-167



Cable management



FIBOX offers a huge range of accessories for connecting cables to equipment. These cable solutions meet internationally recognised safety and protection standards.



Wide selection
of plastic and
membrane gland plates
















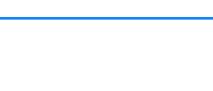


Wide selection
of plastic and
membrane gland



Variety of cable
entries and cable
entry boxes

CABLE MANAGEMENT

	Order symbol	Code	Dimensions	EAN code	Description
COVER PLATES					
Polycarbonate (PC), IP 66 (EN 60529), Grey RAL 7035, Flame resistance UL 94-V1					
	MB 10215	3530215	49x140	 6 418074 030269	Cover plate size 1
	MB 10546	3530546	85x216	 6 418074 030320	Cover plate size 2
	MB 10324	3530324	127x332	 6 418074 030276	Cover plate size 3
METRIC FLANGE PLATES					
Cable gland plates, Polycarbonate (PC), IP 65 (EN 60529), Grey RAL 7035, Flame resistance UL 94-V1					
	MB 10892	3530892	49x140	 6 418074 052469	Size 1 4xM20
	MB 10537	3530537	49x140	 6 418074 030306	Size 1 1xM40
	MB 10892 SET	3590892		 6 418074 056665	Size 1 incl. flange, gasket and connector set
	MB 10891	3530891	85x216	 6 418074 052476	Size 2 12xM20
	MB 10860	3530860	85x216	 6 418074 052124	Size 2 5xM25+6xM20 PUR gasket
	MB 10861	3530861	85x216	 6 418074 052131	Size 2 2xM50+4xM20, PUR gasket
	MB 10862	3530862	85x216	 6 418074 052148	Size 2 2xM16+3xM20+2xM25+2xM32, PUR gasket
	MB 10891 SET	3590891		 6 418074 056658	Size 2 incl. flange, gasket and connector set
	MB 10860 SET	3590860		 6 418074 052421	Size 2 incl. flange, gasket and connector set
	MB 10861 SET	3590861		 6 418074 052438	Size 2 incl. flange, gasket and connector set
	MB 10862 SET	3590862		 6 418074 052445	Size 2 incl. flange, gasket and connector set



	Order symbol	Code	Dimensions	EAN code	Description
Knock-out plates, Polycarbonate (PC), IP 65 (EN 60529), Grey RAL 7035, Flame resistance UL 94-V1					
	MB 10857	3530857	85x216	 6 418074 033017	Size 2 4xM12+4xM12/M20+4xM16/M25
	MB 10889	3530889	85x216	 6 418074 051769	Size 2 8xM20+5xM25/M16
	MB 10890	3530890	85x216	 6 418074 051752	Size 2 2xM32/M20+2xM40/M25
	MB 10857 SET	3590857		 6 418074 051776	Size 2 incl. flange, gasket and connector set
	MB 10889 SET	3590889		 6 418074 051783	Size 2 incl. flange, gasket and connector set
	MB 10890 SET	3590890		 6 418074 051790	Size 2 incl. flange, gasket and connector set
PG FLANGE PLATES					
Cable gland plates, Polycarbonate (PC), IP 66 (EN 60529), Grey RAL 7035, Flame resistance UL 94-V1					
	MB 10151	3530151	49x140	 6 418074 030245	Size 1 4x PG13.5
	MB 10149	3530149	49x140	 6 418074 030238	Size 1 4x PG16
	MB 10214	3530214	49x140	 6 418074 030252	Size 1 3x PG21
	MB 10014	3530014	85x216	 6 418074 030184	Size 2 12x PG16
	MB 10015	3530015	85x216	 6 418074 030191	Size 2 12x PG13.5
	MB 10016	3530016	85x216	 6 418074 030207	Size 2 6x PG16+4x PG21
	MB 10017	3530017	85x216	 6 418074 030214	Size 2 4x PG16+3x PG29
	MB 10019	3530019	85x216	 6 418074 030221	Size 2 4x PG16+2x PG36













CABLE MANAGEMENT

	Order symbol	Code	Dimensions	EAN code	Description
Knock-out plates, Polycarbonate (PC), IP 66 (EN 60529), Grey RAL 7035, Flame resistance UL 94-V1					
	MB 10593	3530593	85x216	 6 418074 030337	Size 2 9x PG11+5x PG9/16
	MB 10594	3530594	85x216	 6 418074 030344	Size 2 4x PG21/29
	MB 10595	3530595	85x216	 6 418074 030351	Size 2 13x PG16
	MB 10596	3530596	85x216	 6 418074 030368	Size 2 4x PG11/21+7x PG16
MEMBRANE FLANGE PLATES					
TPE (Thermo Plastic Elastomer), IP 65 (EN 60529), Flame resistance UL 94HB, Grey RAL 7035, Temperature range -40°...+120°C					
	FMB 5F	3550794	49x140	 6 418074 056511	Size 1, Lead-through 8 (Ø2.5-25mm) Optional RJ-45 lead-through
	FMC 3F	3550795	85x217	 6 418074 056528	Size 2, Lead-through 7 (Ø3-55mm)
	FMC 25F	3550796	85x217	 6 418074 056535	Size 2, Lead-through 29 (Ø3-26mm) Optional RJ-45 lead-through
	FMC 35F	3550797	85x217	 6 418074 056542	Size 2, Lead-through 43 (Ø3-30mm) Optional RJ-45 lead-through
Set includes: Flange and MB 10670/10671 plate connectors with screws					
	FMB 5F-SET	3590794		 6 418074 057952	Flange set, Size 1
	FMC 3F-SET	3590795		 6 418074 057969	Flange set, Size 2
	FMC 25F-SET	3590796		 6 418074 057976	Flange set, Size 2
	FMC 35F-SET	3590797		 6 418074 057983	Flange set, Size 2

	Order symbol	Code	Dimensions	EAN code	Description
Set includes: flange and quick connectors (4 + 4 plugs) for plastic enclosures and for sheet steel cabinets					
	FMC 3FQ-SET	3570795		 6 418074 062574	Flange set, Size 2
	FMC 25FQ-SET	3570796		 6 418074 062581	Flange set, Size 2
	FMC 35FQ-SET	3570797		 6 418074 062598	Flange set, Size 2
PLATE CONNECTORS AND GASKETS					
Plate connector sets					
	MB 10671	3570671		 6 418074 030795	Connector set, size 1 incl. 4 screws
	MB 10670	3570670		 6 418074 030788	Connector set, size 2 incl. 4 screws
	MB 10672	3570672		 6 418074 030801	Connector set, size 3 incl. 4 screws
	EKZA 7	3770472		 6 418074 031822	Plastic screw, lock nut, flange gasket size 1
	EKZA 8	3770474		 6 418074 031839	Plastic screw, lock nut, flange gasket size 2
	EKZA 9	3770347		 6 418074 031815	Plastic screw, lock nut, flange gasket size 3
	QlockP-SET	3534903		 6 418074 062604	Push-in connector set
	QlockM-SET	3544903		 6 418074 062611	Push-in connector set of membrane flange plates for sheet steel cabinets

CABLE MANAGEMENT

	Order symbol	Code	Dimensions	EAN code	Description
Gaskets (EPDM Rubber)					
	MK 10437	3510437		 6 418074 030078	Flange gasket size 1
	MK 10438	3510438		 6 418074 030085	Flange gasket size 2
	MK 10439	3510439		 6 418074 030092	Flange gasket size 3
	MK 10440	3510440		 6 418074 040619	Flange gasket, size 1
	MK 10441	3510441		 6 418074 040626	Flange gasket, size 2
Plastic head screws					
	MB 10345	3570345		 6 418074 031198	Plastic head screw (M6x25) for size 1 flange
	MB 10346	3570346		 6 418074 031204	Plastic head screw (M8x25) for size 2 flange
	MB 10347	3570347		 6 418074 031211	Plastic head screw (M10x30) for size 3 flange
Lock nuts					
	M-6	3570576		 6 418074 031495	Lock nut for plastic head screws M6
	M-8	3570577		 6 418074 031389	Lock nut for plastic head screws M8
	M-10	3570578		 6 418074 031396	Lock nut for plastic head screws M10

	Order symbol	Code	Dimensions	EAN code	Description
Plate extension					
	MB 10391	3530391		 6 418074 030283	Extension flange (height 25 mm) Mounting with 4x MB 10392
	MB 10392	3570392		 6 418074 031228	Plastic head screw, size M8x50
CABLE ENTRIES AND BOXES					
Cable entries					
	EPA 1130	3550385		 6 418074 031037	Cable entry, size 1 1 cable, 1x10-31mm
	EPA 1230	3550386		 6 418074 034816	Cable entry, size 1 2 cable, 2x10-31mm
	EPA 2160	3550387		 6 418074 031044	Cable entry, size 2 1 cable, 1x28-60mm
	EPA 2260	3550388		 6 418074 031068	Cable entry, size 2 2 cables, 2x28-60mm
	EPA 1130 SET	3550055		 6 418074 033130	Cable entry set
	EPA 1230 SET	3550049		 6 418074 033154	Cable entry set
	EPA 2160 SET	3550056		 6 418074 033147	Cable entry set
	EPA 2260 SET	3550052		 6 418074 033161	Cable entry set
	HIBOX 16	4712221		 6 418074 040985	Cable entry with cable gasket
	DSHIBOX 26	4712223		 6 418074 041005	Cable entry with two cable gasket

CABLE MANAGEMENT

	Order symbol	Code	Dimensions	EAN code	Description
Cable entry boxes					
	MB 2260	3730260		 6 418074 031648	Including: base, cover, cover screws, 1 blind plug, 1 pull-off
	MB 2260A	3730261		 6 418074 031655	Cable entry accessory set
	EPA-OE	3530700	280x280	 6 418074 030443	Cable entry box
	EPA-PL	3530702	280x380	 6 418074 030450	Cable entry box
Other Accessories					
	MK 10426	3510426		 6 418074 030047	Rubber cushion for cable Ø 10-31 mm, size 1
	MK 10428	3510428		 6 418074 030061	Rubber cushion for cable Ø 28-60 mm, size 2
	MK 10704	3510704		 6 418074 030122	Membrane cable gland for EPA-OE and EPA-PL enclosures
	MB 10717	3530717		 6 418074 030481	Connection bridge and gasket Size 2
	MB 10718	3530718		 6 418074 030498	Connection bridge and gasket Size 3
	MK 12198	4512198		 6 418074 032508	Cable entry gasket for MB 2260, F2/12102 and F3/12101
	MR 12198	3512198		 6 418074 032140	Hose clamp for MK 12198

	Order symbol	Code	Dimensions	EAN code	Description
POLYAMIDE CABLE GLANDS					
Standard connecting threads, Grey RAL 7035, Temperature range -20°...+80°C					
	GPAB M12	7017400		 6 418074 043474	Cable gland polyamide M12x1,5 IP 68 for cable 3,0-6,5 mm, tool size 15
	GPAB M16	7017401		 6 418074 043481	Cable gland polyamide M16x1,5 IP 68 for cable 5,0-10,0 mm, tool size 22
	GPAB M20S	7017402		 6 418074 043498	Cable gland polyamide M20x1,5 IP 68 for cable 6,0-12,00 mm, tool size 24
	GPAB M20	7017709		 6 418074 045683	Cable gland polyamide M20x1,5 IP 68 for cable 10,0-14,00 mm, tool size 27
	GPAB M25	7017711		 6 418074 045706	Cable gland polyamide M25x1,5 IP 68 for cable 13-18 mm, tool size 33
	GPAB M32	7017713		 6 418074 045720	Cable gland polyamide M32x1,5 IP 68 for cable 18-25 mm, tool size 42
	GPAB M40	7017714		 6 418074 045737	Cable gland polyamide M40x1,5 IP 68 or cable 22-32 mm, tool size 53
	GPAB M50	7017100		 6 418074 070555	Cable gland polyamide M50x1,5 IP 68 for cable 30-38 mm, tool size 60
	GPAB M63	7017101		 6 418074 070562	Cable gland polyamide M63x1,5 IP 68 for cable 34-44 mm, tool size 65
Long connecting threads, Grey RAL 7035, Temperature range -20°...+80°C					
	GPAB M16L	7017534		 6 418074 044730	Cable gland polyamide M16x1,5 IP 68 for cable 5,0-10,0 mm, tool size 22
	GPAB M20L	7017710		 6 418074 045690	Cable gland polyamide M20x1,5 IP 68 for cable 6,0-12,00 mm, tool size 24
	GPAB M20SL	7017535		 6 418074 044747	Cable gland polyamide M20x1,5 IP 68 for cable 6,0-12,0 mm, tool size 24
	GPAB M25L	7017712		 6 418074 045713	Cable gland polyamide M25x1,5 IP 68 for cable 13-18 mm, tool size 33

CABLE MANAGEMENT

	Order symbol	Code	Dimensions	EAN code	Description
Lock nuts for cable glands, Grey RAL 7035					
	GPAB M12BF	7017122		 6 418074 074270	Lock nut polyamide M12x1,5 tool size 18 h=5mm
	GPAB M16BF	7017123		 6 418074 074287	Lock nut polyamide M16x1,5 tool size 22 h=5mm
	GPAB M20BF	7017124		 6 418074 074294	Lock nut polyamide M20x1,5 tool size 26 h=6mm
	GPAB M25BF	7017125		 6 418074 074300	Lock nut polyamide M25x1,5 tool size 32 h=6mm
	GPAB M32BF	7017126		 6 418074 074317	Lock nut polyamide M32x1,5 tool size 41 h=7mm
	GPAB M40BF	7017127		 6 418074 074324	Lock nut polyamide M40x1,5 tool size 50 h=7mm
	GPAB M50BF	7017128		 6 418074 074331	Lock nut polyamide M50x1,5 tool size 60 h=8mm
	GPAB M63BF	7017129		 6 418074 074348	Lock nut polyamide M63x1,5 tool size 75 h=8mm
BRASS CABLE GLANDS					
Standard connecting threads, Temperature range -20°...+100°C					
	GMSB M12	7017312		 6 418074 043399	Cable gland metal M12x1,5 IP 68 for cable 3-6,5 mm, tool size 14/14
	GMSB M16	7017315		 6 418074 043405	Cable gland metal M16x1,5 IP 68 for cable 4-8 mm, tool size 18/17
	GMSB M20	7017320		 6 418074 043412	Cable gland metal M20x1,5 IP 68 for cable 6-12 mm, tool size 22/22
	GMSB M25	7017325		 6 418074 043429	Cable gland metal M25x1,5 IP 68 for cable 10-14 mm, tool size 27/24
	GMSB M32	7017332		 6 418074 043436	Cable gland metal M32x1,5 IP 68 for cable 13-18 mm, tool size 34/30
	GMSB M40	7017340		 6 418074 043443	Cable gland metal M40x1,5 IP 68 for cable 18-25 mm, tool size 43/40

	Order symbol	Code	Dimensions	EAN code	Description
	GMSB M50	7017350		 6 418074 043450	Cable gland metal M50x1,5 IP 68 for cable 22-32 mm, tool size 55/50
	GMSB M63	7017360		 6 418074 043467	Cable gland metal M63x1,5 IP 68 for cable 34-44 mm, tool size 68/64
Lock nuts for cable glands, Brass					
	GMSB M12-B	7017303		 6 418074 043306	Lock nut metal M12x1,5 tool size 15 h=2,8mm
	GMSB M16-B	7017304		 6 418074 043313	Lock nut metal M16x1,5 tool size 19 h=3,0mm
	GMSB M20-B	7017305		 6 418074 043320	Lock nut metal M20x1,5 tool size 24 h=3,5mm
	GMSB M25-B	7017306		 6 418074 043337	Lock nut metal M25x1,5 tool size 30 h=4,0mm
	GMSB M32-B	7017307		 6 418074 043344	Lock nut metal M32x1,5 tool size 36 h=5,0mm
	GMSB M40-B	7017308		 6 418074 043351	Lock nut metal M40x1,5 tool size 46 h=5,0mm
	GMSB M50-B	7017309		 6 418074 043368	Lock nut metal M50x1,5 tool size 60 h=5,0mm
	GMSB M63-B	7017311		 6 418074 043382	Lock nut metal M63x1,5 tool size 70 h=6,0mm

CABLE MANAGEMENT

	Order symbol	Code	Dimensions	EAN code	Description
MEMBRANE CABLE GLANDS					
EPDM Rubber, RAL 7035 Grey, IP 66/IP 67 (EN 60529:1991+ A1:2000), Flame resistance UL 94-HB, Wall thickness (C) 1,5 -5 mm, Temperature range -40°...+120°C					
	FEM 4-7 New	3545078		 6 418074 035417	EPDM Cable gland M12 for cable 4-7 mm
	FEM 5-9 New	3545079		 6 418074 035424	EPDM Cable gland M16 for cable 5-9 mm
	FEM 8-13 New	3545080		 6 418074 035448	EPDM Cable gland M20 for cable 8-13 mm
	FEM 10-14/PG 16 New	3545081		 6 418074 035455	EPDM Cable gland M23/PG16 for cable 10-14 mm
	FEM 11-17 New	3545082		 6 418074 035462	EPDM Cable gland M25 for cable 11-17 mm
	FEM 15-20 New	3545083		 6 418074 035479	EPDM Cable gland M32 for cable 15-20 mm
	FEM 19-28 New	3545084		 6 418074 035486	EPDM Cable gland M40 for cable 19-28 mm
	FEM 27-35 New	3545085		 6 418074 035530	EPDM Cable gland M50 for cable 27-35 mm
	FEM 30-45	3545086		 6 418074 035547	EPDM Cable gland M60 for cable 30-45 mm
MFM 8-12	3546151		 6 418074 036803	EPDM Multi-Fem M50 for cable 3x6-10 mm, 3x10-14 mm	

General accessories



Even the best enclosure may need a little extra, to be of maximum value in its chosen environment. Among many other benefits, our huge range of accessories will allow your components to be seen, ventilated or withstand pressure differences.



Inspection windows



Ventilation devices



Fibox accessories
can be fitted to
most enclosures and
cabinets

GENERAL ACCESSORIES

	Order symbol	Code	Dimensions	EAN code	Description
INSPECTION WINDOWS					
Polycarbonate (PC), IP 54					
	L 02	3730660	77x60	 6 418074 031693	Window for 2 modules Clear cover
	L 04	3730661	77x96	 6 418074 035493	Window for 4 modules Clear cover
	L 06	3730662	77x130	 6 418074 035509	Window for 6 modules Clear cover
	L 08	3730663	77x162	 6 418074 035516	Window for 8 modules Clear cover
	L 10	3730664	77x199	 6 418074 035523	Window for 10 modules Clear cover
Polycarbonate (PC), IP 65					
	L 12 II	3730775	128x248	 6 418074 036841	Window for 12 modules Smoked transparent cover
	L 13	3730692	108x257	 6 418074 031686	Window for 13 modules Clear cover
	L 24 II	3730776	218x248	 6 418074 036858	Window for 24 modules Smoked transparent cover
	L 43 II	4512298	277x331	 6 418074 035110	Window for 26 modules Smoked transparent cover
	L 44 II	4512299	331x377	 6 418074 035127	Window for 36 modules Smoked transparent cover
Front plates for windows L 12 II and L 24 II					
	B12 10621-45	3730621		 6 418074 032041	Front plate for window 12 modules
	B24 10620-45	3730620		 6 418074 032034	Front plate for window 2x12 modules

GENERAL ACCESSORIES

	Order symbol	Code	Dimensions	EAN code	Description
VENTILATION DEVICES					
Ventilation devices					
	MB 10564 II	3541564	50x70	 6 418074 031754	Ventilation device IP 44 Gasketed, incl. screws
	MB 10858 II	3540858		 6 418074 031778	Grille/filter holder for MB 10564 II
	MB 10859 II	3540859		 6 418074 031761	Holder for fan incl. screws
	MB 10894 DAE	3540894		 6 418074 053572	Pressure equalizer plug, IP 68 light grey, thread M12 x 1,5
	MB 10631	3540631		 6 418074 030764	Ventilation device IP 33
	MB 12189	4512189		 6 418074 034649	Draining plug IP 34



FIBOX PRODUCT CATALOGUE

1 DISCLAIMER

The information included in this Product Catalogue ("Catalogue") is intended to be generic and the related illustrations are intended for illustration purposes. Any and all information is being provided for information purposes only and without responsibility, and Fibox Oy Ab or its affiliates makes no representations or warranties, either expressed or implied, as to the accuracy or completeness of the information, usability of a product or fitness of a product for a particular purpose.

Any and all information included in this Catalogue is subject to change without notice. While Fibox Oy Ab and its affiliates has endeavored to ensure the accuracy of the information contained in the Catalogue, it does not accept liability or responsibility for any inaccuracies.

2 SELLER'S TERMS AND CONDITIONS

The following terms and conditions cover all sales of products and rendering of services by Fibox Oy Ab and by any of its affiliates ("Seller") to Customer. These terms and conditions will supersede all previous communications, agreements or contracts, written or verbal, and no understanding, agreement, term, condition or trade custom at variance herewith will be binding on Seller. No waiver, amendment or modification of the terms and conditions hereof will be effective unless in writing and signed by an officer of Seller.

2.1 INTELLECTUAL PROPERTY

All process information, drawings, specifications, instruction manuals, catalogs and other documents furnished by Seller to Customer for the products sold hereunder shall remain the property of Seller, or its affiliates, as the case may be, and are furnished subject to the condition that Customer use the same only for operation, maintenance and repair of the products and that Customer shall not at any time copy, duplicate, disclose or publish such information. The purchase or use of Seller's products by Customer will not be construed to grant Customer any right, license, sublicense, title or interest in or to any of Seller's or its affiliates' patents, trade names, trademarks, trade secrets, copyrights and other proprietary rights and information or other intellectual, proprietary or industrial property pertaining to the Seller or its products or affiliates, all of which are acknowledged by Customer to be the sole and exclusive property of the Seller or its affiliates, as the case may be.

2.2 FIBOX LIMITED WARRANTY

Seller warrants to Customer that all products and services provided hereunder will be in accordance with specifications and substantially free from defects in material and workmanship under normal use and service for a period of one year from date of shipment. This warranty will not, however, apply to any product to the extent the same is, after delivery: (a) repaired or altered outside of Seller's or manufacturer's factory; or (b) subject to misuse, neglect, accident or improper storage, installation, assembly, repair or handling; (c) put to other than normal use or service; or (d) used, maintained, installed, assembled, stored, handled or repaired under conditions which exceed the designed capabilities or in a manner which is not in compliance with Seller's recommendations or with applicable laws, regulations or codes. Seller makes no representation or warranty as to the suitability or compatibility of any product or service with Customer's own equipment, materials, components, products or purpose; and Seller will in no event have any responsibility for the design, performance, use, defect or malfunction of Customer's own equipment, materials, components or products. Seller's sole obligation, and Customer's sole remedy, under the foregoing warranty will be the repair or, at Seller's sole option the replacement, of any product which may be determined by Seller to be defective, provided that

Customer shall notify Seller in writing of such defects within the one year warranty period set forth above; and, provided further that Customer will ship such products to Seller's office for repair or replacement, if necessary. THIS PARAGRAPH SETS FOR THE EXCLUSIVE REMEDIES FOR CLAIMS BASED ON DEFECT IN OR FAILURE OF PRODUCTS OR SERVICES, WHETHER THE CLAIM IS IN CONTRACT, INDEMNITY, WARRANTY, TORT (INCLUDING SELLER'S NEGLIGENCE), STRICT LIABILITY OR OTHERWISE AND HOWEVER INSTITUTED. THE FOREGOING WARRANTIES ARE THE SOLE AND EXCLUSIVE WARRANTIES BY SELLER TO CUSTOMER, AND ARE MADE IN LIEU OF ALL OTHER WARRANTIES. THERE ARE NO OTHER WARRANTIES, EXPRESS OR IMPLIED, BY OPERATION OF LAW OR OTHERWISE, FOR ANY PRODUCT OR SERVICE SOLD OR FURNISHED HEREUNDER, AND SELLER DISCLAIMS ALL IMPLIED WARRANTIES OF MERCHANTABILITY AND FITNESS FOR A PARTICULAR PURPOSE. ANY CATALOGUE, SAMPLE OR MODEL IS FOR ILLUSTRATIVE PURPOSES ONLY AND SHALL NOT BE DEEMED TO CREATE AN EXPRESS WARRANTY, AND NO AFFIRMATION OR PROMISE OR DESCRIPTION, OR CATALOGUE, SAMPLE OR MODEL SHALL BE DEEMED PART OF THE BASIS OF THE BARGAIN.

2.3 LIMITATION OF LIABILITY

In no event, whether as a result of breach of contract, indemnity, warranty, tort (including Seller's negligence), strict liability or otherwise, shall Seller's liability to Customer for any loss or damage arising out of, or resulting from the products or services furnished hereunder, exceed the price of the specific product or service which gives rise to the claim, and any such liability shall terminate upon the expiration of the warranty specified in Section 2.2 entitled "Warranties." Any such claim of liability must be timely commenced in a court of competent jurisdiction in accordance with the applicable statute of limitations, but in no event later than one year from the termination of the said warranty. IN NO EVENT SHALL SELLER, ITS AFFILIATES, OFFICERS, AGENTS OR EMPLOYEES BE LIABLE FOR ANY INCIDENTAL, INDIRECT, SPECIAL OR CONSEQUENTIAL DAMAGES IN CONNECTION WITH OR ARISING FROM THE PRODUCTS OR SERVICES PROVIDED HEREUNDER, INCLUDING (WITHOUT LIMITATION) LOSS OF PROFITS OR REVENUES, INTERRUPTION OF BUSINESS, LOSS OF USE OF THE PRODUCTS OR ANY ASSOCIATED EQUIPMENT, MATERIALS, COMPONENTS OR PRODUCTS, DAMAGE TO ASSOCIATED EQUIPMENT, MATERIALS, COMPONENTS OR PRODUCTS, COST OF SUBSTITUTE PARTS, OR CLAIMS OF CUSTOMER'S CUSTOMERS FOR SUCH DAMAGES. CUSTOMER'S SOLE REMEDY FOR ANY LIABILITY OF SELLER OF ANY KIND IS LIMITED TO THE REPAIR OR REPLACEMENT OF DEFECTIVE PRODUCTS OR SERVICES AS PROVIDED IN THE IMMEDIATELY PRECEDING PARAGRAPH. CUSTOMER'S SOLE RECOURSE FOR DAMAGES IN CONNECTION WITH OR ARISING FROM THE PRODUCTS OR SERVICES PROVIDED HEREUNDER, WHETHER AS A RESULT OF BREACH OF CONTRACT, INDEMNITY, WARRANTY, TORT (INCLUDING SELLER'S NEGLIGENCE), STRICT LIABILITY OR OTHERWISE, SHALL BE AGAINST SELLER, AND CUSTOMER AGREES THAT NEITHER THE MANUFACTURER NOR SELLER'S AFFILIATES, OFFICERS, EMPLOYEES, STOCKHOLDERS OR AGENTS SHALL HAVE ANY LIABILITY THEREFOR.

2.4 FIBOX GENERAL TERMS

The Seller shall deliver the products and render the services to Customer in accordance with Fibox General Terms. However, in case of any discrepancy between Fibox General Terms and the Seller's Terms and Conditions as provided for in this Catalogue, the Seller's Terms and Conditions shall prevail.

www.fibox.com

Fibox Oy Ab
Keilaranta 19
02150 Espoo
Finland

Tel: +358 207 785 700
Fax: +358 207 785 702
E-mail: info@fibox.fi

Fibox Ltd
Suite 25,
Durham Tees Valley Business Centre,
Primrose Hill Industrial Estate,
Orde Wingate Way,
Stockton on Tees,
TS19 0GD,
ENGLAND

Tel: +44 1642 604 400,
Fax: +44 1642 604 600
E-mail: sales@fibox.co.uk

Code 9636104



X-ON Electronics

Largest Supplier of Electrical and Electronic Components

Click to view similar products for [fibox](#) manufacturer:

Other Similar products are found below :

[MPS ARCA 5040](#) [PCM 175/75 T](#) [ABQ3 364015](#) [ABS 150/60 HG](#) [ABS 175/60 HG](#) [ABS 175/75 HG](#) [ABS F 65 G](#) [ARCA 403015](#) [EKMVT](#)
[CAB P 302017](#) [CAB PC 303018 G3B](#) [CAB PCQ 302017 T](#) [9822003](#) [ABS 150/125 HG](#) [ABS 150/75 HG](#) [ABS 175/100HG](#) [ABS 95/75 HG](#)
[ABS F 85 G](#) [PCT 081206](#) [ARCA 302015](#) [PC 5628 13 T](#) [TAM 090706 MC](#) [ARCA 406021](#) [MP 6040](#) [ARCA 405021](#) [ARCA 604021](#) [ARCA](#)
[806030](#) [5330360](#) [EKOE 130 G](#) [2539543](#) [DRS ARCA 403015](#) [DRS ARCA 304021](#) [DRS ARCA 203015](#) [PC 100/125 HG](#) [PC 100/75 HT](#) [PC](#)
[300/150 ZG](#) [PCM 175/150 G](#) [PCM 125/100 G](#) [PC 125/125 HG](#) [ABS D 65 G](#) [7811060](#) [7811130](#) [ALN 121208](#) [ARCA 403021N](#) [7094220](#)
[7094450](#) [PC 1919 13 T-2FSH](#) [PC 200/150 HT](#) [PCM 175/100 T](#) [PCT 121210](#)