

## Enclosure Catalogue



## Fibox customer service

### Fibox Oy Ab

Keilaranta 19, 02150 Espoo, FINLAND  
Tel: +358 207 785 700, Fax: +358 207 785 702  
E-mail: info@fibox.fi

### Fibox AB

Enhagsslingan 3, S-187 40 Täby, SWEDEN  
Tel: +46 8 792 2670, Fax: +46 8 792 0164  
E-mail: info@fibox.se

### Fibox A/S

Kuldysen 13, DK-2630 Tåstrup, DENMARK  
Tel: +45 4371 8055, Fax: +45 4371 8035  
E-mail: fibox@fibox.dk

### Fibox Limited

Suite 25, Durham Tees Valley Business Centre,  
Primrose Hill Industrial Estate, Orde Wingate Way,  
Stockton on Tees, TS19 0GD, ENGLAND  
Tel: +44 1642 604 400, Fax: +44 1642 604 600  
E-mail: sales@fibox.co.uk

### Fibox France Sarl

28 Rue Paul Henri Spaak, Parc de l'Esplanade,  
77400 Saint Thibault des Vignes, FRANCE  
Tel: +33 1 6021 1717, Fax: +33 1 6021 1718  
E-mail: service.client@fibox.fr

### Fibox GmbH

Rehwinkel 30, D-32457 Porta Westfalica, GERMANY  
Tel: +49 (0)5731 86946 0, Fax: +49 (0)5731 86946 50  
E-mail: info@fibox.de

### Fibox LLC

Office B 21,  
54 B Shpalernaya st.  
St. Petersburg  
191015 Russia  
Tel: +7 911-02-02-102

### Fibox New Delhi Office

A-26/4, Mohan Co-operative Industrial Estate, Mathura Road,  
New Delhi 110044, INDIA  
Tel: (+91) 11 40528297, 40528298  
Fax: (+91) 11 40512481, Mobile: (+91) 9899911574  
E-mail: tyronne.cubbins@fibox.co.in

### FIBOX Japan Office

Zip# 542-0081 303, Daiwa building, 2-4-19, Minamisenba,  
Chuo-Ku, Osaka, JAPAN  
Tel: (+81) 6 4963 3752, Fax: (+81) 6 4963 3762  
Mobile: (+81) 90 2705 6742  
E-mail: m.takeda@fibox.co.jp

### Fibox Benelux

Postbus 350, NL-7570 AJ OLDENZAAL, THE NETHERLANDS  
Tel: +31 (0) 541 539039, Fax: +31 (0) 541 533399  
E-mail: info@fibox.nl

### Fibox Schweiz GmbH

Industriezone C, Längfeldweg 97  
2504 Biel-Bienne, SWITZERLAND  
Tel: 055 617 20 80, Fax: 055 617 20 89  
E-mail: info@fibox.ch

### Fibox Sp. z o.o.

ul. Dzięcioła 19, 04-988 Warszawa, POLAND  
Tel: +48 22 256 5799, Fax: +48 22 872 96 98  
E-mail: info@fibox.pl

### Fibox Inc.

810 Cromwell Park Drive Suite R, Glen Burnie, MD 21061 USA  
Tel: +1 410 760 9696, Fax: +1 410 760 8686  
E-mail: sales@fiboxusa.com

### Fibox Shanghai Ltd

Room 401 - 402 , Building 3,  
NO. 188 xinjunhuan Rd,  
Pujiang high-tech Park Caohejing  
Development Zone,  
Shanghai 201114, China  
Tel (+86) 21 6495 9922, Fax (+86) 21 6495 9667  
E-mail: info@fibox.cn

### Fibox (Guangzhou) Engineering Plastic Co., Ltd

No.36 Dong-Peng-Da-Dao, Fibox Road  
Guangzhou Economic & Technological Development District,  
510530 Guangzhou, Guangdong, P.R.CHINA  
Tel: +86 20 3206 7660, Fax: +86 20 3206 7661

### Fibox Ltd (Korea)

11-25, Songdo-dong  
Yeonsu-gu, Incheon,  
Republic of Korea  
Tel: +82 32 814 6742, Fax: +82 32 814 6077  
E-mail: sales@fibox.co.kr

### Fibox Ltd (Korea)

Pusan Office, 562-54, Gwai-Bup, Sa-Sang  
Pusan, REPUBLIC OF KOREA  
Tel: +82 51 317 8500, Fax: +82 51 314 5533

## Fibox production

### Fibox Oy Ab

Rajasilta 6, FI-33880 Lempäälä, FINLAND  
Tel: +358 207 785 700 number, Fax: +358 207 785 801

### Fibox Tested Systems Oy

Hovinpelto 2, FI-74700 Kiuruvesi, FINLAND  
Tel: +358 207 785 700, Fax: +358 207 785 851

### Fibox Sp. z o.o.

ul. Dzięcioła 19, 04-988 Warszawa, POLAND  
Tel: +48 22 256 5799, Fax: +48 22 872 96 98  
E-mail: info@fibox.pl

### Fibox Ltd (Korea)

11-25, Songdo-dong  
Yeonsu-gu, Incheon,  
Republic of Korea  
Tel: +82 32 814 6742, Fax: +82 32 814 6077  
E-mail: sales@fibox.co.kr

### Fibox (Guangzhou) Engineering Plastic Co., Ltd

No.36 Dong-Peng-Da-Dao, Fibox Road  
Guangzhou Economic & Technological Development District,  
510530 Guangzhou, Guangdong, P.R.CHINA  
Tel: +86 20 3206 7660, Fax: +86 20 3206 7661

### Fibox GmbH

Rehwinkel 30, D-32457 Porta Westfalica, GERMANY  
Tel: +49 (0)5731 86946 0, Fax: +49 (0)5731 86946 50  
E-Mail: info@fibox.de

|                                                              |    |
|--------------------------------------------------------------|----|
| Fibox Enclosing innovations                                  | 2  |
| Fibox web services                                           | 3  |
| Enclosure selection guide                                    | 4  |
| Fibox quality; NEMA/UL classifications of protection         | 6  |
| IP/IK classifications                                        | 7  |
| Material performance is usually the second factor considered | 8  |
| Fibox enclosure gaskets offer best protection                | 10 |
| Customizing services                                         | 11 |



**ALU**



**MNX**



**EURONORD PC/ABS**



**TEMPO**



**EK**

## Fibox enclosures for demanding environments

|                                  |                                               |            |
|----------------------------------|-----------------------------------------------|------------|
| <b>FIBOX MNX</b>                 | <b>100 x 100 x 35 mm - 360 x 255 x 150 mm</b> | <b>13</b>  |
| Polycarbonate and ABS enclosures |                                               |            |
| <b>FIBOX CAB PC/ ABS</b>         | <b>150x150x110 - 600 x400 x 220 mm</b>        | <b>47</b>  |
| Polycarbonate and ABS enclosures |                                               |            |
| <b>FIBOX ALU</b>                 | <b>50 x 45 x 32 - 310 x 600 x 180 mm</b>      | <b>65</b>  |
| Aluminium enclosures             |                                               |            |
| <b>FIBOX SOLID</b>               | <b>188 x 188 x 130 - 558 x 378 x 180 mm</b>   | <b>85</b>  |
| Polycarbonate and ABS enclosures |                                               |            |
| <b>FIBOX EURONORD PC/ABS</b>     | <b>50 x 52 x 40 - 360 x 400 x 151 mm</b>      | <b>105</b> |
| Polycarbonate and ABS enclosures |                                               |            |
| <b>FIBOX EURONORD P</b>          | <b>80 x 75 x 55 - 406 x 401 x 120 mm</b>      | <b>129</b> |
| Polyester enclosures             |                                               |            |
| <b>FIBOX PICCOLO</b>             | <b>110 x 80 x 65 - 230 x 140 x 125 mm</b>     | <b>141</b> |
| Polycarbonate and ABS enclosures |                                               |            |
| <b>FIBOX TEMPO</b>               | <b>95 x 65 x 60 mm - 344 x 289 x 117 mm</b>   | <b>151</b> |
| ABS enclosures                   |                                               |            |
| <b>FIBOX MCE</b>                 | <b>200 x 116 x 105 - 580 x 306 x 105 mm</b>   | <b>161</b> |
| Modular polycarbonate enclosures |                                               |            |
| <b>FIBOX EK</b>                  | <b>190 x 190 x 130 - 760 x 560 x 250 mm</b>   | <b>169</b> |
| Polycarbonate enclosures         |                                               |            |
| <b>FIBOX QUICK</b>               | <b>300 x 200 x 170 - 600 x 400 x 270 mm</b>   | <b>195</b> |
| Polycarbonate and ABS enclosures |                                               |            |
| <b>FIBOX CARDMASTER</b>          | <b>160 x 166 x 80 - 383 x 316 x 167 mm</b>    | <b>205</b> |
| Polycarbonate and ABS enclosures |                                               |            |
| <b>FIBOX CABLE MANAGEMENT</b>    |                                               | <b>217</b> |
| Cable gland plates               |                                               |            |
| Cable entries and cable glands   |                                               |            |
| <b>FIBOX GENERAL ACCESSORIES</b> |                                               | <b>229</b> |
| Inspection windows               |                                               |            |
| Ventilation devices              |                                               |            |

# FIBOX – Enclosing innovations

Innovation is defined as something newly introduced. Perhaps it is a new method, an improved solution, a new design, or an entirely new device. Whatever your innovation, it represents a change for the better, and as always, it is the result of both your inspiration and your hard work.

At Fibox, we appreciate your effort and match it with our own. Fibox is the leading innovator in developing enclosure solutions to protect your electrical and electronic designs from hostile environments. Simply put, we enclose your innovations.

## 45 years experience

In 1966, Fibox introduced the first modular enclosure injection moulded from polycarbonate plastic. These enclosures began a new era in electrical panel building. From the beginning, a commitment to innovation resulted in continuous product improvement, resulting in more than 20 patents. Our on-going product development has fuelled the dramatic and rapid growth of Fibox.

Whatever your application, the Fibox enclosure product family features the widest range of high quality enclosures for the packaging and protection of electrical and electronic components and systems. Fibox offers over 1000 enclosure variations. Enclosures can be delivered in standard off-the-shelf configurations, or customized to your exact specification. For higher volume OEM's, Fibox offers custom moulds and contract manufacturing.

## Technical innovation

Fibox is the industry leader in developing both new products and new technologies for injection moulding thermoplastic enclosures. At Fibox, we consider moulding technology a key element contributing to product improvement. For example, the Fibox MNX enclosure series features 2 component moulding technology to include a precision formed TPE gasket that guarantees superior ingress protection ratings. Fibox was first to introduce this innovation, and continues as the only producer applying this technology to electrical enclosures.

A further example is our emphasis on multiple slide technology for mould construction. While more complex and costly, this type of mould provides our OEM customers with cost-effective alternatives for modifying standard enclosures to meet their specific needs.

But beyond technology, our success depends upon understanding the requirements of our customers and the value they place upon our contributions to their success. We know our customers derive the inspiration for their innovations by listening to and understanding the needs of their customers. Thus, our products are designed in close cooperation with our customers and we value the input of our global customer base to produce new enclosure solutions, useful functional accessories and on-going product innovations.

More information

e-mail: [info@fibox.fi](mailto:info@fibox.fi), [sales@fibox.co.uk](mailto:sales@fibox.co.uk)

[www.fibox.com](http://www.fibox.com)

FIBOX's policy is to continually improve its products.

Specifications in this Enclosure Catalogue are subject to change without further notice.

Copyright © 2012, Fibox Oy Ab

# FIBOX web services - always up-to-date

Please visit [www.fibox.com](http://www.fibox.com) regularly to find out the latest developments from the Fibox team. Fibox is continuously launching new products and improving services in the pursuit of helping its customers to succeed. Fibox prides itself in supplying high quality products with excellent service. Besides orders shipped correctly and on time, excellent service also means providing an extensive package of design aids and technical information about Fibox products and services.

## Engineering assistance

Selecting the right enclosure for your application is made easier with clear, easily accessible technical and engineering data.

At [www.fibox.com](http://www.fibox.com) you can obtain detailed technical information about enclosures including photos, raw material specifications, dimensional drawings and CAD files. Additionally, Fibox also offers copies of regulatory agency approvals and certificates in pdf format.

## CAD drawings

Fibox supports engineers, designers and buyers with full CAD drawings either in 2D or 3D formats. Engineering time and costs can significantly be reduced by using easily accessible Fibox 3D models, which are widely used globally. All CAD files can be downloaded at [www.fibox.com](http://www.fibox.com).

## Download catalogues and leaflets

At [www.fibox.com](http://www.fibox.com) you find a variety of brochures and catalogues in pdf format. Please visit our web site at [www.fibox.com](http://www.fibox.com) to download the latest catalogues and leaflets.

## Around the world

As a global company Fibox has currently full web services in Chinese, Danish, Dutch, English, Finnish, French, German, Japanese, Korean, Polish, Russian and Swedish.

## Let us know how we can improve

Please give us feedback. Contact us via [www.fibox.com](http://www.fibox.com) or email at [info@fibox.fi](mailto:info@fibox.fi). We are committed to improve our service to you. Please help us by sharing your opinions to make Fibox World even better.

[www.fibox.com](http://www.fibox.com)

# Guide for selecting the right FIBOX enclosure

|                               | Enclosure family |          |             |       |             |                 |          |  |
|-------------------------------|------------------|----------|-------------|-------|-------------|-----------------|----------|--|
|                               | MNX              |          | CAB         |       | ALU         | SOLID           |          |  |
| Material                      | PC               | ABS      | PC          | ABS   | AL          | PC              | ABS      |  |
| Size min (mm)                 | 100x100x35       |          | 150x150x110 |       | 50x45x32    | 188x188x130     |          |  |
| Size max (mm)                 | 360x255x150      |          | 600x400x220 |       | 310x600x180 | 558x378x180     |          |  |
| IP rating                     | IP 66/67         | IP 66/67 | IP 65       | IP 65 | IP 66/67/68 | IP 66/67        | IP 66/67 |  |
| IK rating                     | IK 08            | IK 07    | IK 08       | IK 08 | IK 08       | IK 08/<br>IK 09 | IK 08    |  |
| Electronics enclosures        | ■                | ■        |             |       | ■           | ■               | ■        |  |
| Industrial enclosures         | ■                | ■        | ■           | ■     | ■           | ■               | ■        |  |
| Instrumentation enclosures    | ■                | ■        | ■           | ■     | ■           |                 |          |  |
| Modular enclosures            |                  |          |             |       |             |                 |          |  |
| Outdoor enclosures            | ■                |          | ■           |       | ■           | ■               |          |  |
| Power distribution enclosures |                  |          |             |       |             |                 |          |  |
| Terminal enclosures           | ■                | ■        |             |       | ■           | ■               | ■        |  |
| UL-enclosures                 | ■                |          | ■           |       |             | ■               |          |  |
| Wall mounting cabinets        |                  |          | ■           | ■     |             | ■               | ■        |  |

- PC = polycarbonate
- ABS = acrylnitrile-butadiene-styrene
- AL = aluminium
- GRP = glass fibre reinforced polyester



## Enclosure family

| Enclosure family |          |          |             |          |             |             |     |             |             |          |             |       |  |
|------------------|----------|----------|-------------|----------|-------------|-------------|-----|-------------|-------------|----------|-------------|-------|--|
| EURONORD         |          |          | PICCOLO     |          | TEMPO       | MCE         |     | EK          | QUICK       |          | CARDMASTER  |       |  |
| PC               | ABS      | GRP      | PC          | ABS      | ABS         | PC          | ABS | PC          | PC          | ABS      | PC          | ABS   |  |
| 50x52x40         |          |          | 110x80x65   |          | 95x65x60    | 200x116x105 |     | 190x190x130 | 300x200x170 |          | 160x166x78  |       |  |
| 406x401x120      |          |          | 230x140x125 |          | 344x289x117 | 580x306x145 |     | 760x560x250 | 600x400x270 |          | 316x363x156 |       |  |
| IP 66/67         | IP 66/67 | IP 66/67 | IP 66/67    | IP 66/67 | IP 65       | IP 65       |     | IP 66/67    | IP 66/67    | IP 66/67 | IP 65       | IP 65 |  |
| IK 08            | IK 07    | IK 08    | IK 08       | IK 07    | IK 07       | IK 08       |     | IK 08/IK 09 | IK 08       | IK 08    | IK 08/07    | IK 07 |  |
| ■                | ■        | ■        | ■           | ■        | ■           | ■           |     | ■           | ■           | ■        |             | ■     |  |
| ■                | ■        | ■        | ■           | ■        | ■           | ■           |     | ■           | ■           | ■        | ■           | ■     |  |
| ■                | ■        | ■        | ■           | ■        | ■           | ■           |     |             |             |          | ■           | ■     |  |
|                  |          |          |             |          |             |             | ■   | ■           |             |          |             |       |  |
| ■                |          |          | ■           |          |             |             | ■   | ■           |             |          | ■           |       |  |
|                  |          |          |             |          |             |             | ■   |             | ■           | ■        |             |       |  |

# FIBOX quality creates customer advantage

# NEMA/UL classification of protection

Fibox has developed a sophisticated quality system to assure our customers of the reliability and consistency of our products and our service. All aspects of our operations, from design and development through to production and product delivery, are documented to ensure superior performance. Performance you can rely on.

Fibox is an ISO 9001 certified manufacturer and was awarded its certificate by Bureau Veritas Quality International in 1992. This approval covers specifications defined by ISO 9001:2000.



## The FIBOX quality system

The Fibox quality system applies not only to product quality and safety, but availability of product, accuracy of shipments, technical support and customer service. The continued success of this programme is assured by regular internal and independent external audits.

The National Electrical Manufacturers Association (NEMA) is a US Manufacturers Organisation which actively promotes standardised product specifications for electrical apparatus.

NEMA performance criteria and test methods are used by Underwriters Laboratories as guidelines for investigation and listing of electrical enclosures.
























| Approximate IP equivalents in parentheses |                                                                                                                                                                                                              |
|-------------------------------------------|--------------------------------------------------------------------------------------------------------------------------------------------------------------------------------------------------------------|
| Nema                                      |                                                                                                                                                                                                              |
| 1                                         | Indoor use primarily to provide a degree of protection against contact with the enclosed equipment and against a limited amount of falling dirt. (IP30)                                                      |
| 2                                         | Indoor use to provide a degree of protection against limited amounts of falling water and dirt. (IP31)                                                                                                       |
| 3                                         | Outdoor use to provide a degree of protection against wind blown dust, rain, and sleet; undamaged by the formation of ice on the enclosure. (IP64)                                                           |
| 3R                                        | Outdoor use to provide a degree of protection against falling rain and sleet; undamaged by the formation of ice on the enclosure. (IP32)                                                                     |
| 3S                                        | Outdoor use to provide a degree of protection against windblown dust, rain and sleet; external mechanisms remain operable while ice laden.                                                                   |
| 4                                         | Indoor or outdoor use to provide a degree of protection against splashing water, windblown dust and rain, hose directed water; undamaged by the formation of ice on the enclosure. (IP66)                    |
| 4X                                        | Indoor or outdoor use to provide a degree of protection against splashing water, windblown dust and rain, hose directed water; undamaged by the formation of ice on the enclosure, resists corrosion. (IP66) |
| 6                                         | Indoor or outdoor use to provide a degree of protection against the entry of water during temporary submersion at a limited depth; undamaged by the formation of ice on the enclosure.                       |
| 6P                                        | Indoor and outdoor use to provide a degree of protection against the entry of water during prolonged submersion at a limited depth.                                                                          |
| 11                                        | Indoor use to provide by oil immersion a degree of protection of the enclosed equipment against the corrosive effects of corrosive liquids and gases.                                                        |
| 12, 12K                                   | Indoor use to provide a degree of protection against dust, falling dirt and dripping non-corrosive liquids. (IP65)                                                                                           |
| 13                                        | Indoor use to provide a degree of protection against dust and spraying of water, oil and non-corrosive coolants. (IP65)                                                                                      |



# The IP and IK classifications

Ingress protection class of enclosures is given in the form of IP classification, a two digit coding which is shown below. Fibox has tested the enclosures according to EN 60529. The standard requires the second digit to be tested from class 6 upwards separately to each level of class, thus the double marking IP 66 / IP 67 indicates that the actual tests have been made for both levels.

The new European standard for empty enclosures, EN 62208 includes the IK impact test too. This test is described in EN 62262, and as Fibox enclosures are tested to EN 62208, the data for impact resistance will be available as well.

| FIRST DIGIT<br>Protection against solid objects |                                                                                                                                                             | SECOND DIGIT<br>Protection against liquids |                                                                                                                                                                                  | IK CODE<br>Protection against mechanical impacts |                                                                                                       |
|-------------------------------------------------|-------------------------------------------------------------------------------------------------------------------------------------------------------------|--------------------------------------------|----------------------------------------------------------------------------------------------------------------------------------------------------------------------------------|--------------------------------------------------|-------------------------------------------------------------------------------------------------------|
| IP                                              | TEST                                                                                                                                                        | IP                                         | TEST                                                                                                                                                                             | IK                                               | TEST                                                                                                  |
| 0                                               |  no protection                                                             | 0                                          |  no protection                                                                                  | 00                                               |  no protection     |
| 1                                               |  protected against solid objects up to 50 mm e.g. to 50 mm e.g. hands      | 1                                          |  protected against vertically falling drops of water                                            | 01-05                                            |  impact < 1 joule  |
| 2                                               |  protected against solid objects up to 12 mm e.g. fingers                | 2                                          |  protected against direct sprays of water up to 15° from the vertical                          | 06                                               |  impact 1 joule   |
| 3                                               |  protected against solid objects over 2,5 mm (tools+ small wires)        | 3                                          |  protected against water sprayed from all directions - limited ingress permitted              | 07                                               |  impact 2 joule  |
| 4                                               |  protected against solid objects over 1 mm (tools+ small wires)          | 4                                          |  protected against water sprayed from all directions - limited ingress permitted              | 08                                               |  impact 5 joule  |
| 5                                               |  protected against dust - limited ingress permitted (no harmful deposit) | 5                                          |  protected against low pressure jets of water from all directions - limited ingress permitted | 09                                               |  impact 10 joule |
| 6                                               |  totally protected against dust                                          | 6                                          |  protected against strong jets of water e.g. for use on shipdecks - limited ingress permitted | 10                                               |  impact 20 joule |
|                                                 |                                                                                                                                                             | 7                                          |  protected against the effects of immersion between 15 cm and 1 m                             |                                                  |                                                                                                       |
|                                                 |                                                                                                                                                             | 8                                          |  protected against long periods of immersion under pressure                                   |                                                  |                                                                                                       |

# Material performance is usually the second factor considered

Size is normally the first and the most dominant criterion when looking for the right enclosure for a specific application. Enclosure performance, i.e. material performance, is usually the second property considered. The following list of benefits and drawbacks indicates the basic differences between the various FIBOX enclosure materials.

## Polycarbonate (PC)

Standard polycarbonate (PC) or Glass fibre reinforced (PC + GLAS)

### Benefits:

- Very high impact resistance
- Also available in transparent form
- Easy machining with normal tools
- High IP rating
- Clean attractive finish
- Wide operating temperature range
- Self-extinguishing
- Good resistance to chemical attack

- Light weight
- Good UV resistance
- Excellent insulating properties
- Cost-effective material for harsh environments

### Drawbacks:

- No EMC shielding

## Acrylnitrile-butadiene-styrene (ABS)

### Benefits:

- Easy machining with normal tools
- Easy colouring through pigmentation
- Low weight
- Good resistance to chemical attack
- Excellent insulating properties

### Drawbacks:

- Slightly lower impact resistance compared with PC
- Slightly lower operating temperature range compared with PC
- Slightly lower UV resistance compared with PC. Recommended for outdoor use if protected against weather influences
- Not available in transparent form
- No EMC shielding

## Aluminium (AL)

### Benefits:

- Good resistance to chemical attack (painted)
- High impact resistance
- Wide operating temperature range
- Easy earthing
- EMC shielding. Note: to some extent already as standard enclosures
- Good heat sink properties
- Rigid construction

### Drawbacks:

- More expensive than PC
- Heavier than PC and ABS
- Machining with special tools only

## Glass fibre reinforced polyester (GRP)

### Benefits:

- Excellent record of resistance to corrosion and chemical attack
- High impact resistance
- Rigid construction
- High weather resistance
- Wide operating temperature range
- Fire resistant
- Good insulating properties

### Drawbacks:

- More expensive than PC
- Cannot be machined using standard tools
- No EMC shielding
- Heavier than other plastic enclosures

The following table gives a general idea of the properties of the various materials. For more detailed information on material performance in your specific application environment please consult your local FIBOX representative.

|                              | PC    | ABS   | GRP <sup>2)</sup> | AL <sup>1)</sup>   | PA6   | PS    |
|------------------------------|-------|-------|-------------------|--------------------|-------|-------|
| Outdoor use                  | ••••  | •     | •••••             | ••••               | ••••  | •     |
| Indoor use                   | ••••• | ••••• | •••••             | •••••              | ••••• | ••••• |
| Cost                         | •••   | ••••• | •                 | •                  | ••    | ••••• |
| Light weight                 | ••••• | ••••• | •••               | •                  | ••••• | ••••• |
| High rigidity                | •••   | •     | ••••              | •••••              | •••   | •     |
| Impact resistance            | ••••• | •••   | ••••              | ••••               | •••   | •     |
| <b>CHEMICAL RESISTANCE</b>   |       |       |                   |                    |       |       |
| Salt water environments      | ••••• | ••    | •••••             | •••• <sup>1)</sup> | ••••• | ••    |
| Neutral salts                | ••••• |       | •••••             | •••• <sup>1)</sup> | ••••  | ••••  |
| Acids, low concentrations    | ••••• | ••••  | •••••             | ••                 | ••••  | ••••  |
| Acids, high concentrations   | •••   | •     | •••               | •                  | •     | •     |
| Alkalis, low concentrations  | •••   | ••••• | ••••              | •                  | ••    | ••••• |
| Alkalis, high concentrations | •     | ••••  | ••••              | •                  | •     | ••••  |
| Petroleum                    | •••   | •     | •••••             | •••••              | ••••  | •     |
| Hydraulic oil                | ••••• | ••••• | •••••             | •••••              | ••••• | ••••• |
| Alcohols                     | ••••  | •••   | ••••              | •••••              | ••••  | •••   |
| Solvents                     | •     | •     | •••••             | •••••              |       | •     |
| Cooling fluids               | •••   | ••••• | •••••             | •••                |       | ••••• |

- = Excellent
- = Poor

<sup>1)</sup> Polyester powder coated AISi cast aluminium

<sup>2)</sup> Glass fibre reinforced

**Data subject to change without notice.**

# FIBOX enclosure gaskets offer the best protection

Gasketing plays an essential role in enclosure protection. In the long run, the IP rating and its reliability depend mainly on the properties of the gasket used in the enclosure. Key performance factors of a gasket are its compression set and proper fit in the gasket groove. The best general purpose gasket material is polyurethane which has an exceptionally low compression set. When accurately injection foamed, the polyurethane gaskets stay tightly in the right place. And EPDM material provides the best protection against the most popular industrial chemicals. However, it is wise to check the effect of a chemical on each gasket material since the chemical resistance of gasket materials varies greatly.

In some cases the performance of an enclosure can be modified by changing its gasket. The degree of protection depends on the material and the cross-section profile of the gasket. When choosing gasket material, compare the elasticity properties of different materials and how these properties are affected by cold and heat, or by contact with various chemicals. An important factor is that both the enclosure and gasket must withstand the same chemicals in order to reach a safe resistivity.

## FIBOX enclosures are well designed

The degree of ingress protection (IP) of an enclosure is mainly dependent on the properties of its gasket. Nevertheless, the gasket must also properly fit the enclosure. In addition to the cross-section profile of the gasket, there is the cross section of the gasket's contact with the surfaces of the enclosure bases and covers. If the cross-section structures and manufacturing accuracy of an enclosure are not top quality, the IP rating will remain low even when equipped with a good gasket. Naturally, all FIBOX enclosures are carefully designed and precision made. Using FIBOX enclosures, you only need to focus on the variances in gasket materials.

FIBOX enclosure gaskets are made of PUR, EPDM, neoprene and silicon materials. Table 1 includes some commonly used physical properties of the gaskets. Note that the chemical resistances in the box and in Table 2 are only rough generalisations to give you some clues to gasket material behaviour. The resistance of each chemical should be checked separately. For additional information, please contact Fibox.

| Property            | Unit              | TPE        | PUR        | EPDM       | Neoprene   | Silicon    |
|---------------------|-------------------|------------|------------|------------|------------|------------|
| Temperature range   | °C                | -40 - +120 | -50 - +130 | -50 - +120 | -40 - +100 | -60 - +170 |
| Tensile strength    | Mpa               | 5          | 0,4        | 13,0       | 8,0        | 9,4        |
| Elongation at break | %                 | 700        | 110        | 300        | 250        | 540        |
| Hardness            | Shore A           | 30         | 12         | 65         | 66         | 52         |
| Density             | g/cm <sup>3</sup> | 1,13       | 0,33       | 1,12       | 1,6        | 1,15       |
| Compression set     | %                 | 17         | 5          | 20         | 35         | 14         |

**Table 1:** Gasket materials: physical properties comparison

| Chemical Performance         | TPE  | PUR  | EPDM | Neoprene | Silicon |
|------------------------------|------|------|------|----------|---------|
| Neutral salts                | •••• | •••• | •••• | ••••     | ••••    |
| Acids, low concentrations    | •••• | •••  | •••• | •••      | •••     |
| Acids, high concentrations   | •••  | •    | •••  | •        | •       |
| Alkalis, low concentrations  | •••• | •••  | •••• | ••••     | •••     |
| Alkalis, high concentrations | •••  | •    | •••• | •••      | •       |
| Petroleums                   | •    | •    | •    | •••      | •       |
| Hydraulic oils               | •    | •••• | •    | •••      | •       |
| Alcohols                     | ••   | •••  | •••• | ••••     | ••••    |
| Cooling fluids               | •••  | •••  | •••• | •••      | ••••    |

**Table 2:** Gasket materials: chemical resistance comparison

- PUR = polyurethane
- TPE = thermoplastic elastomer
- EPDM = ethylene – prophene – diene – monomer



## FIBOX machining services

To increase the range and flexibility of our enclosure solutions, Fibox has developed a comprehensive range of services, permitting cost effective customization for specific applications. The two most important of these are machining services and customized tooling.

Our sophisticated CNC machinery can supply enclosures with holes, cutouts and openings to your specification. This solution is best suited for small to medium volumes of enclosures. Fibox knowledge of enclosure materials ensures that the machining method is compatible with the chosen enclosure material.

Prior to machining a production run, product specification and drawings need to be prepared. Either the customer or Fibox can create these drawings. Enclosure specifications and technical data are available at [www.fibox.com](http://www.fibox.com). CAD support 2D-drawings are available in IGES, DWG and DXF formats and 3D-models in IGES and Parasolid formats adaptable to your design system requirements.

## Assembly services

Many enclosure solutions utilize Fibox accessories to improve the functionality of the enclosure system. Fibox can provide assembly services and install accessories specified by the end user, allowing delivery of "ready to use" mechanical packaging assemblies, saving labour costs and speeding up the manufacturing process. The Fibox accessory program includes a large number of items ranging from hinges and latches, cable glands and wiring accessories, to inspection windows and ventilators.

## Customized tooling

For large volume OEM requirements, it is often possible to customize the moulding of a standard product to meet the OEM's specific needs. Provided the mould is a sophisticated multiple slide mould, any enclosure side may be customized without requiring an entirely new mould. It is important that the OEM consult with Fibox early in their design process to determine what, if any, mould change restrictions exist.

Altering an existing Fibox mould can be a very cost effective alternative to creating a custom mould. In essence, you lease a high volume, standard product mould with minimal initial tooling cost. This can shorten product development times and permit customizing even those products with projected short life cycles. Your new product reaches the market sooner.

## Coloured plastic enclosures

Fibox offers custom moulding of standard enclosures in customer specified colours. Standard colour specifications are based upon RAL system, however custom colour matching is possible. The type of plastic has significant impact on colour match, colour consistency and cost. Please consult your Fibox representative for guidance. Custom colour moulding becomes economical in volumes over 1000 pieces, but lower volumes are also possible. Cost adders are based upon increased raw material costs, plus the cost to prepare moulds prior to production and then clean the moulds and injection machines after production. These mould preparation costs are highly volume dependent.

## Painted enclosures

Painting enclosures is recommended for plastic enclosures when volumes do not justify custom moulding. Critical colour matching, if required, is also easier to accomplish with paint. Paint type is dependent upon the choice of enclosure material. Please consult your Fibox representative for guidance.

## EMC - plastic enclosures

Plastic enclosures can be prepared to provide EMC shielding. Various methods are available, but painting the internal surface with Cu paint is the preferred method. This coating, combined with a conductive gasket material such as CHO-SEAL 1350, can provide significant shielding levels. Proper selection of materials is very application specific. Please consult your Fibox representative for guidance.

## Printed enclosures

Silk screen printing is recommended for enclosure batches of less than 1000 pieces. This method is mainly suitable for flat surfaces, and can be used for large areas. Tampon printing is the best solution for volumes greater than 1000 pieces. It is suitable for printing on both flat and curved surfaces of limited size. Tampon printing is also ideal for tight spots like the inside surface of the enclosure.

# FIBOX – Solutions for demanding environments





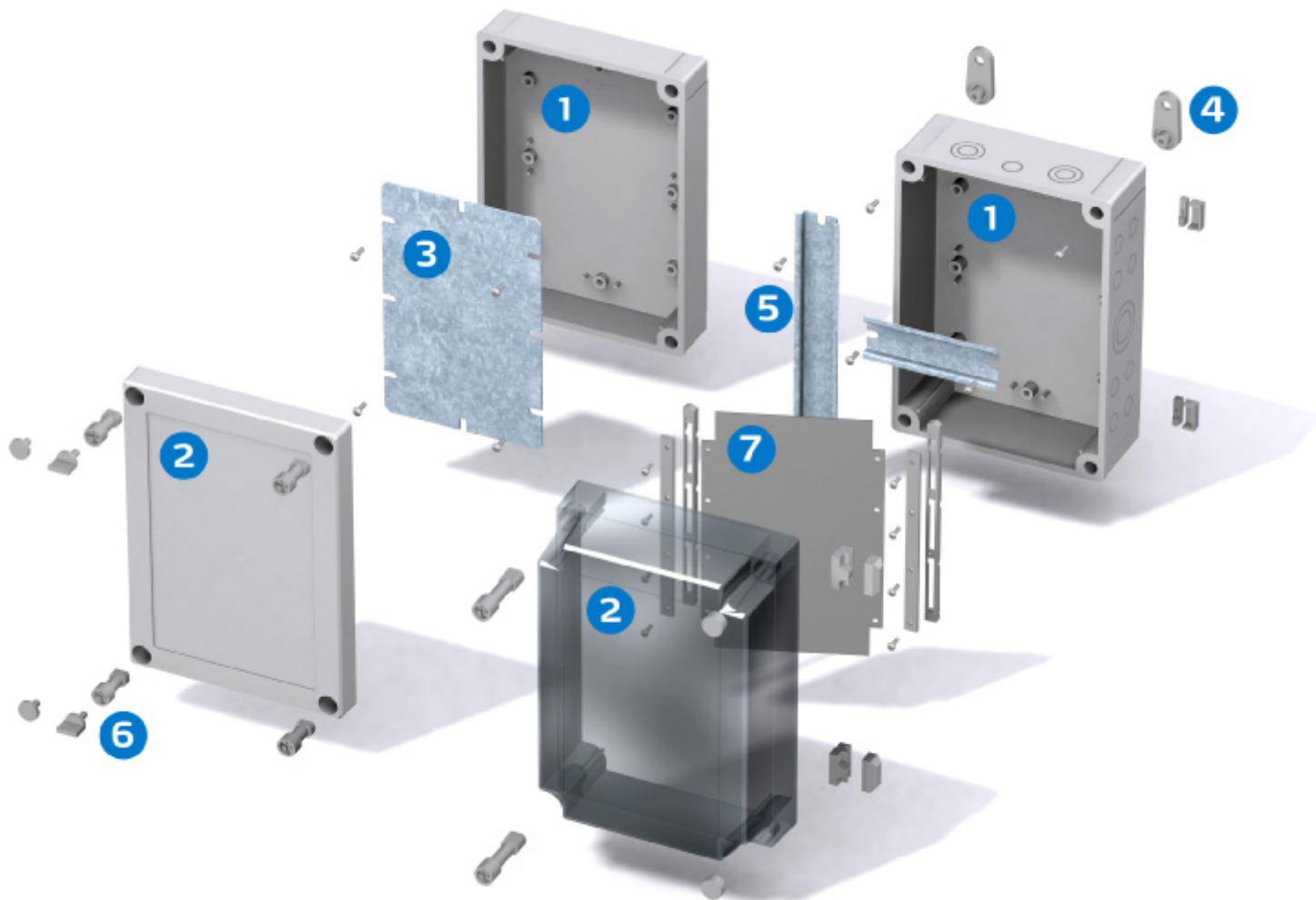
## Offers extensive options

This range offers over 260 versions. Choose MNX if you have a large product family that needs to be housed in matching enclosures with the minimum of fuss, no matter the environment or installation height. For the protection of electrical and electronic components of all kinds.

Easy-to-use solutions and functionality.

Designed to house automation, control and switch gear components.

Modular height system.



### Enclosure

- 1 PC or ABS enclosure, different heights, optionally also available with metric knockouts to assure a quick fitting assembly
- 2 PC cover, grey or smoked transparent

### Accessories

- 3 Mounting plate, Electro-galvanised steel
- 4 Fastening lugs, 4 pcs. incl. screws
- 5 DIN rail TS 15/TS 35
- 6 Cover screws, various versions
- 7 Pivotal front plate, aluminium

PC: IP66/IP67, IK08  
 ABS: IP66/IP67, IK07

| Dimensions                                                                          | Order Symbol | Code    | EAN Code                                                                                                | Description                                                  |
|-------------------------------------------------------------------------------------|--------------|---------|---------------------------------------------------------------------------------------------------------|--------------------------------------------------------------|
| <b>100x100x35 mm</b>                                                                |              |         |                                                                                                         |                                                              |
|    | PC 95/35 LG  | 6012331 | <br>6 418074 054616   | Enclosure, PC<br>Low base, grey cover                        |
|                                                                                     | PC 95/35 LT  | 6012931 | <br>6 418074 054654   | Enclosure, PC<br>Low base, smoked transparent cover          |
|                                                                                     | ABS 95/35 LG | 6082331 | <br>6 418074 054692   | Enclosure, ABS<br>Low base, grey cover                       |
|                                                                                     | ABS 95/35 LT | 6082931 | <br>6 418074 054739   | Enclosure, ABS<br>Low base, smoked transparent cover         |
| <b>100x100x50 mm</b>                                                                |              |         |                                                                                                         |                                                              |
|   | PC 95/50 LG  | 6012332 | <br>6 418074 054623  | Enclosure, PC<br>Low base, grey cover                        |
|                                                                                     | PC 95/50 LT  | 6012932 | <br>6 418074 054661 | Enclosure, PC<br>Low base, smoked transparent cover          |
|                                                                                     | ABS 95/50 LG | 6082332 | <br>6 418074 054708 | Enclosure, ABS<br>Low base, grey cover                       |
|                                                                                     | ABS 95/50 LT | 6082932 | <br>6 418074 054746 | Enclosure, ABS<br>Low base, smoked transparent cover         |
| <b>100x100x60 mm</b>                                                                |              |         |                                                                                                         |                                                              |
|  | PC 95/60 HG  | 6011331 | <br>6 418074 054630 | Enclosure, PC<br>High base, grey cover                       |
|                                                                                     | PC 95/60 HT  | 6011931 | <br>6 418074 054678 | Enclosure, PC<br>High base, smoked transparent cover         |
|                                                                                     | ABS 95/60 HG | 6081331 | <br>6 418074 054715 | Enclosure, ABS<br>High base, grey cover                      |
|                                                                                     | ABS 95/60 HT | 6081931 | <br>6 418074 054753 | Enclosure, ABS<br>High base, smoked transparent cover        |
|                                                                                     | PCM 95/60 G  | 6016331 | <br>6 418074 054777 | Enclosure, PC, metric knock-outs<br>Grey cover               |
|                                                                                     | PCM 95/60 T  | 6016931 | <br>6 418074 054791 | Enclosure, PC, metric knock-outs<br>Smoked transparent cover |



| Dimensions                                                                          | Order Symbol  | Code    | EAN Code                                                                                                | Description                                                  |
|-------------------------------------------------------------------------------------|---------------|---------|---------------------------------------------------------------------------------------------------------|--------------------------------------------------------------|
| <b>100x100x75 mm</b>                                                                |               |         |                                                                                                         |                                                              |
|    | PC 95/75 HG   | 6011332 | <br>6 418074 054647   | Enclosure, PC<br>High base, grey cover                       |
|                                                                                     | PC 95/75 HT   | 6011932 | <br>6 418074 054685   | Enclosure, PC<br>High base, smoked transparent cover         |
|                                                                                     | ABS 95/75 HG  | 6081332 | <br>6 418074 054722   | Enclosure, ABS<br>High base, grey cover                      |
|                                                                                     | ABS 95/75 HT  | 6081932 | <br>6 418074 054760   | Enclosure, ABS<br>High base, smoked transparent cover        |
|                                                                                     | PCM 95/75 G   | 6016332 | <br>6 418074 054784   | Enclosure, PC, metric knock-outs<br>Grey cover               |
|                                                                                     | PCM 95/75 T   | 6016932 | <br>6 418074 054807  | Enclosure, PC, metric knock-outs<br>Smoked transparent cover |
| <b>130x80x35 mm</b>                                                                 |               |         |                                                                                                         |                                                              |
|  | PC 100/35 LG  | 6012301 | <br>6 418074 022011 | Enclosure, PC<br>Low base, grey cover                        |
|                                                                                     | PC 100/35 LT  | 6012901 | <br>6 418074 022257 | Enclosure, PC<br>Low base, smoked transparent cover          |
|                                                                                     | ABS 100/35 LG | 6082301 | <br>6 418074 022776 | Enclosure, ABS<br>Low base, grey cover                       |
|                                                                                     | ABS 100/35 LT | 6082901 | <br>6 418074 023018 | Enclosure, ABS<br>Low base, smoked transparent cover         |
| <b>130x80x50 mm</b>                                                                 |               |         |                                                                                                         |                                                              |
|  | PC 100/50 LG  | 6012302 | <br>6 418074 024596 | Enclosure, PC<br>Low base, grey cover                        |
|                                                                                     | PC 100/50 LT  | 6012902 | <br>6 418074 052391 | Enclosure, PC<br>Low base, smoked transparent cover          |
|                                                                                     | ABS 100/50 LG | 6082302 | <br>6 418074 052407 | Enclosure, ABS<br>Low base, grey cover                       |
|                                                                                     | ABS 100/50 LT | 6082902 | <br>6 418074 052414 | Enclosure, ABS<br>Low base, smoked transparent cover         |

PC: IP66/IP67, IK08  
ABS: IP66/IP67, IK07

| Dimensions                                                                                                                                                                 | Order Symbol  | Code    | EAN Code                                                                                                | Description                                                  |
|----------------------------------------------------------------------------------------------------------------------------------------------------------------------------|---------------|---------|---------------------------------------------------------------------------------------------------------|--------------------------------------------------------------|
| <b>130x80x60 mm</b>                                                                                                                                                        |               |         |                                                                                                         |                                                              |
|                                                                                           | PC 100/60 HG  | 6011301 | <br>6 418074 022042   | Enclosure, PC<br>High base, grey cover                       |
|                                                                                                                                                                            | PC 100/60 HT  | 6011901 | <br>6 418074 022288   | Enclosure, PC<br>High base, smoked transparent cover         |
|                                                                                                                                                                            | ABS 100/60 HG | 6081301 | <br>6 418074 022806   | Enclosure, ABS<br>High base, grey cover                      |
|                                                                                                                                                                            | ABS 100/60 HT | 6081901 | <br>6 418074 023049   | Enclosure, ABS<br>High base, smoked transparent cover        |
|                                                                                                                                                                            | PCM 100/60 G  | 6016301 | <br>6 418074 038005   | Enclosure, PC, metric knock-outs<br>Grey cover               |
|                                                                                                                                                                            | PCM 100/60 T  | 6016901 | <br>6 418074 038173  | Enclosure, PC, metric knock-outs<br>Smoked transparent cover |
| <b>130x80x75 mm</b>                                                                                                                                                        |               |         |                                                                                                         |                                                              |
| <br> | PC 100/75 LG  | 6012303 | <br>6 418074 022028 | Enclosure, PC<br>Low base, grey cover                        |
|                                                                                                                                                                            | PC 100/75 HG  | 6011302 | <br>6 418074 024404 | Enclosure, PC<br>High base, grey cover                       |
|                                                                                                                                                                            | PC 100/75 LT  | 6012903 | <br>6 418074 022264 | Enclosure, PC<br>Low base, smoked transparent cover          |
|                                                                                                                                                                            | PC 100/75 HT  | 6011902 | <br>6 418074 024428 | Enclosure, PC<br>High base, smoked transparent cover         |
|                                                                                                                                                                            | ABS 100/75 LG | 6082303 | <br>6 418074 022783 | Enclosure, ABS<br>Low base, grey cover                       |
|                                                                                                                                                                            | ABS 100/75 HG | 6081302 | <br>6 418074 024442 | Enclosure, ABS<br>High base, grey cover                      |
|                                                                                                                                                                            | ABS 100/75 LT | 6082903 | <br>6 418074 023025 | Enclosure, ABS<br>Low base, smoked transparent cover         |
|                                                                                                                                                                            | ABS 100/75 HT | 6081902 | <br>6 418074 024466 | Enclosure, ABS<br>High base, smoked transparent cover        |
|                                                                                                                                                                            | PCM 100/75 G  | 6016302 | <br>6 418074 024480 | Enclosure, PC, metric knock-outs<br>Grey cover               |

| Dimensions                                                                        | Order Symbol   | Code    | EAN Code                                                                                                | Description                                                  |
|-----------------------------------------------------------------------------------|----------------|---------|---------------------------------------------------------------------------------------------------------|--------------------------------------------------------------|
|                                                                                   | PCM 100/75 T   | 6016902 | <br>6 418074 024503   | Enclosure, PC, metric knock-outs<br>Smoked transparent cover |
| <b>130x80x100 mm</b>                                                              |                |         |                                                                                                         |                                                              |
|  | PC 100/100 LG  | 6012304 | <br>6 418074 022035   | Enclosure, PC<br>Low base, grey cover                        |
|                                                                                   | PC 100/100 HG  | 6011303 | <br>6 418074 022059   | Enclosure, PC<br>High base, grey cover                       |
|                                                                                   | PC 100/100 LT  | 6012904 | <br>6 418074 022271   | Enclosure, PC<br>Low base, smoked transparent cover          |
|                                                                                   | PC 100/100 HT  | 6011903 | <br>6 418074 022295   | Enclosure, PC<br>High base, smoked transparent cover         |
|                                                                                   | ABS 100/100 LG | 6082304 | <br>6 418074 022790  | Enclosure, ABS<br>Low base, grey cover                       |
|                                                                                   | ABS 100/100 HG | 6081303 | <br>6 418074 022813 | Enclosure, ABS<br>High base, grey cover                      |
|                                                                                   | ABS 100/100 LT | 6082904 | <br>6 418074 023032 | Enclosure, ABS<br>Low base, smoked transparent cover         |
|                                                                                   | ABS 100/100 HT | 6081903 | <br>6 418074 023056 | Enclosure, ABS<br>High base, smoked transparent cover        |
|                                                                                   | PCM 100/100 G  | 6016303 | <br>6 418074 038012 | Enclosure, PC, metric knock-outs<br>Grey cover               |
|                                                                                   | PCM 100/100 T  | 6016903 | <br>6 418074 038180 | Enclosure, PC, metric knock-outs<br>Smoked transparent cover |

PC: IP66/IP67, IK08  
ABS: IP66/IP67, IK07

| Dimensions                                                                          | Order Symbol   | Code    | EAN Code                                                                                                | Description                                                  |
|-------------------------------------------------------------------------------------|----------------|---------|---------------------------------------------------------------------------------------------------------|--------------------------------------------------------------|
| <b>130x80x125 mm</b>                                                                |                |         |                                                                                                         |                                                              |
|    | PC 100/125 HG  | 6011304 | <br>6 418074 022066   | Enclosure, PC<br>High base, grey cover                       |
|                                                                                     | PC 100/125 HT  | 6011904 | <br>6 418074 022301   | Enclosure, PC<br>High base, smoked transparent cover         |
|                                                                                     | ABS 100/125 HG | 6081304 | <br>6 418074 022820   | Enclosure, ABS<br>High base, grey cover                      |
|                                                                                     | ABS 100/125 HT | 6081904 | <br>6 418074 023063   | Enclosure, ABS<br>High base, smoked transparent cover        |
|                                                                                     | PCM 100/125 G  | 6016304 | <br>6 418074 038029   | Enclosure, PC, metric knock-outs<br>Grey cover               |
|                                                                                     | PCM 100/125 T  | 6016904 | <br>6 418074 038197  | Enclosure, PC, metric knock-outs<br>Smoked transparent cover |
| <b>130x130x35 mm</b>                                                                |                |         |                                                                                                         |                                                              |
|  | PC 125/35 LG   | 6012307 | <br>6 418074 022073 | Enclosure, PC<br>Low base, grey cover                        |
|                                                                                     | PC 125/35 LT   | 6012907 | <br>6 418074 022318 | Enclosure, PC<br>Low base, smoked transparent cover          |
|                                                                                     | ABS 125/35 LG  | 6082307 | <br>6 418074 022837 | Enclosure, ABS<br>Low base, grey cover                       |
|                                                                                     | ABS 125/35 LT  | 6082907 | <br>6 418074 023070 | Enclosure, ABS<br>Low base, smoked transparent cover         |
| <b>130x130x50 mm</b>                                                                |                |         |                                                                                                         |                                                              |
|  | PC 125/50 LG   | 6012308 | <br>6 418074 014009 | Enclosure, PC<br>Low base, grey cover                        |
|                                                                                     | PC 125/50 LT   | 6012908 | <br>6 418074 014016 | Enclosure, PC<br>Low base, smoked transparent cover          |
|                                                                                     | ABS 125/50 LG  | 6082308 | <br>6 418074 014061 | Enclosure, ABS<br>Low base, grey cover                       |
|                                                                                     | ABS 125/50 LT  | 6082908 | <br>6 418074 014078 | Enclosure, ABS<br>Low base, smoked transparent cover         |

| Dimensions                                                                                                                                                                 | Order Symbol  | Code    | EAN Code                                                                                                | Description                                                  |
|----------------------------------------------------------------------------------------------------------------------------------------------------------------------------|---------------|---------|---------------------------------------------------------------------------------------------------------|--------------------------------------------------------------|
| <b>130x130x60 mm</b>                                                                                                                                                       |               |         |                                                                                                         |                                                              |
|                                                                                           | PC 125/60 HG  | 6011307 | <br>6 418074 022103   | Enclosure, PC<br>High base, grey cover                       |
|                                                                                                                                                                            | PC 125/60 HT  | 6011907 | <br>6 418074 022349   | Enclosure, PC<br>High base, smoked transparent cover         |
|                                                                                                                                                                            | ABS 125/60 HG | 6081307 | <br>6 418074 022868   | Enclosure, ABS<br>High base, grey cover                      |
|                                                                                                                                                                            | ABS 125/60 HT | 6081907 | <br>6 418074 023100   | Enclosure, ABS<br>High base, smoked transparent cover        |
|                                                                                                                                                                            | PCM 125/60 G  | 6016307 | <br>6 418074 038036   | Enclosure, PC, metric knock-outs<br>Grey cover               |
|                                                                                                                                                                            | PCM 125/60 T  | 6016907 | <br>6 418074 038203  | Enclosure, PC, metric knock-outs<br>Smoked transparent cover |
| <b>130x130x75 mm</b>                                                                                                                                                       |               |         |                                                                                                         |                                                              |
| <br> | PC 125/75 LG  | 6012309 | <br>6 418074 022080 | Enclosure, PC<br>Low base, grey cover                        |
|                                                                                                                                                                            | PC 125/75 HG  | 6011308 | <br>6 418074 014023 | Enclosure, PC<br>High base, grey cover                       |
|                                                                                                                                                                            | PC 125/75 LT  | 6012909 | <br>6 418074 022325 | Enclosure, PC<br>Low base, smoked transparent cover          |
|                                                                                                                                                                            | PC 125/75 HT  | 6011908 | <br>6 418074 014030 | Enclosure, PC<br>High base, smoked transparent cover         |
|                                                                                                                                                                            | ABS 125/75 LG | 6082309 | <br>6 418074 022844 | Enclosure, ABS<br>Low base, grey cover                       |
|                                                                                                                                                                            | ABS 125/75 HG | 6081308 | <br>6 418074 014085 | Enclosure, ABS<br>High base, grey cover                      |
|                                                                                                                                                                            | ABS 125/75 LT | 6082909 | <br>6 418074 023087 | Enclosure, ABS<br>Low base, smoked transparent cover         |
|                                                                                                                                                                            | ABS 125/75 HT | 6081908 | <br>6 418074 014092 | Enclosure, ABS<br>High base, smoked transparent cover        |

PC: IP66/IP67, IK08  
 ABS: IP66/IP67, IK07








| Dimensions                                                                        | Order Symbol   | Code    | EAN Code                                                                                                | Description                                                  |
|-----------------------------------------------------------------------------------|----------------|---------|---------------------------------------------------------------------------------------------------------|--------------------------------------------------------------|
|                                                                                   | PCM 125/75 G   | 6016308 | <br>6 418074 038043   | Enclosure, PC, metric knock-outs<br>Grey cover               |
|                                                                                   | PCM 125/75 T   | 6016908 | <br>6 418074 038210   | Enclosure, PC, metric knock-outs<br>Smoked transparent cover |
| <b>130x130x100 mm</b>                                                             |                |         |                                                                                                         |                                                              |
|  | PC 125/100 LG  | 6012310 | <br>6 418074 022097   | Enclosure, PC<br>Low base, grey cover                        |
|                                                                                   | PC 125/100 HG  | 6011309 | <br>6 418074 022110   | Enclosure, PC<br>High base, grey cover                       |
|                                                                                   | PC 125/100 LT  | 6012910 | <br>6 418074 022332   | Enclosure, PC<br>Low base, smoked transparent cover          |
|                                                                                   | PC 125/100 HT  | 6011909 | <br>6 418074 022356  | Enclosure, PC<br>High base, smoked transparent cover         |
|                                                                                   | ABS 125/100 LG | 6082310 | <br>6 418074 022851 | Enclosure, ABS<br>Low base, grey cover                       |
|                                                                                   | ABS 125/100 HG | 6081309 | <br>6 418074 022875 | Enclosure, ABS<br>High base, grey cover                      |
|                                                                                   | ABS 125/100 LT | 6082910 | <br>6 418074 023094 | Enclosure, ABS<br>Low base, smoked transparent cover         |
|                                                                                   | ABS 125/100 HT | 6081909 | <br>6 418074 023117 | Enclosure, ABS<br>High base, smoked transparent cover        |
|                                                                                   | PCM 125/100 G  | 6016309 | <br>6 418074 038050 | Enclosure, PC, metric knock-outs<br>Grey cover               |
|                                                                                   | PCM 125/100 T  | 6016909 | <br>6 418074 038227 | Enclosure, PC, metric knock-outs<br>Smoked transparent cover |

| Dimensions                                                                          | Order Symbol   | Code    | EAN Code                                                                                                | Description                                                  |
|-------------------------------------------------------------------------------------|----------------|---------|---------------------------------------------------------------------------------------------------------|--------------------------------------------------------------|
| <b>130x130x125 mm</b>                                                               |                |         |                                                                                                         |                                                              |
|    | PC 125/125 HG  | 6011310 | <br>6 418074 022127   | Enclosure, PC<br>High base, grey cover                       |
|                                                                                     | PC 125/125 HT  | 6011910 | <br>6 418074 022363   | Enclosure, PC<br>High base, smoked transparent cover         |
|                                                                                     | ABS 125/125 HG | 6081310 | <br>6 418074 022882   | Enclosure, ABS<br>High base, grey cover                      |
|                                                                                     | ABS 125/125 HT | 6081910 | <br>6 418074 023124   | Enclosure, ABS<br>High base, smoked transparent cover        |
|                                                                                     | PCM 125/125 G  | 6016310 | <br>6 418074 038067   | Enclosure, PC, metric knock-outs<br>Grey cover               |
|                                                                                     | PCM 125/125 T  | 6016910 | <br>6 418074 038234  | Enclosure, PC, metric knock-outs<br>Smoked transparent cover |
| <b>180x130x35 mm</b>                                                                |                |         |                                                                                                         |                                                              |
|  | PC 150/35 LG   | 6012313 | <br>6 418074 022134 | Enclosure, PC<br>Low base, grey cover                        |
|                                                                                     | PC 150/35 LT   | 6012913 | <br>6 418074 022370 | Enclosure, PC<br>Low base, smoked transparent cover          |
|                                                                                     | ABS 150/35 LG  | 6082313 | <br>6 418074 022899 | Enclosure, ABS<br>Low base, grey cover                       |
|                                                                                     | ABS 150/35 LT  | 6082913 | <br>6 418074 023131 | Enclosure, ABS<br>Low base, smoked transparent cover         |
| <b>180x130x50 mm</b>                                                                |                |         |                                                                                                         |                                                              |
|  | PC 150/50 LG   | 6012314 | <br>6 418074 022141 | Enclosure, PC<br>Low base, grey cover                        |
|                                                                                     | PC 150/50 LT   | 6012914 | <br>6 418074 022387 | Enclosure, PC<br>Low base, smoked transparent cover          |
|                                                                                     | ABS 150/50 LG  | 6082314 | <br>6 418074 022905 | Enclosure, ABS<br>Low base, grey cover                       |
|                                                                                     | ABS 150/50 LT  | 6082914 | <br>6 418074 023148 | Enclosure, ABS<br>Low base, smoked transparent cover         |

PC: IP66/IP67, IK08  
ABS: IP66/IP67, IK07


















| Dimensions                                                                          | Order Symbol  | Code    | EAN Code                                                                                                | Description                                                  |
|-------------------------------------------------------------------------------------|---------------|---------|---------------------------------------------------------------------------------------------------------|--------------------------------------------------------------|
| <b>180x130x60 mm</b>                                                                |               |         |                                                                                                         |                                                              |
|   | PC 150/60 HG  | 6011313 | <br>6 418074 022172   | Enclosure, PC<br>High base, grey cover                       |
|                                                                                     | PC 150/60 HT  | 6011913 | <br>6 418074 022417   | Enclosure, PC<br>High base, smoked transparent cover         |
|                                                                                     | ABS 150/60 HG | 6081313 | <br>6 418074 022936   | Enclosure, ABS<br>High base, grey cover                      |
|                                                                                     | ABS 150/60 HT | 6081913 | <br>6 418074 023179   | Enclosure, ABS<br>High base, smoked transparent cover        |
|                                                                                     | PCM 150/60 G  | 6016313 | <br>6 418074 038074   | Enclosure, PC, metric knock-outs<br>Grey cover               |
|                                                                                     | PCM 150/60 T  | 6016913 | <br>6 418074 038241  | Enclosure, PC, metric knock-outs<br>Smoked transparent cover |
|                                                                                     | PC 150/60 HF  | 6011813 | <br>6 418074 024602 | Enclosure, PC<br>High base, grey cover                       |
| <b>180x130x75 mm</b>                                                                |               |         |                                                                                                         |                                                              |
|  | PC 150/75 LG  | 6012315 | <br>6 418074 022158 | Enclosure, PC<br>Low base, grey cover                        |
|                                                                                     | PC 150/75 HG  | 6011314 | <br>6 418074 022189 | Enclosure, PC<br>High base, grey cover                       |
|                                                                                     | PC 150/75 LT  | 6012915 | <br>6 418074 022394 | Enclosure, PC<br>Low base, smoked transparent cover          |
|                                                                                     | PC 150/75 HT  | 6011914 | <br>6 418074 022424 | Enclosure, PC<br>High base, smoked transparent cover         |
|                                                                                     | ABS 150/75 LG | 6082315 | <br>6 418074 022912 | Enclosure, ABS<br>Low base, grey cover                       |
|                                                                                     | ABS 150/75 HG | 6081314 | <br>6 418074 022943 | Enclosure, ABS<br>High base, grey cover                      |
|                                                                                     | ABS 150/75 LT | 6082915 | <br>6 418074 023155 | Enclosure, ABS<br>Low base, smoked transparent cover         |
|                                                                                     | ABS 150/75 HT | 6081914 | <br>6 418074 023186 | Enclosure, ABS<br>High base, smoked transparent cover        |




| Dimensions                                                                        | Order Symbol   | Code    | EAN Code                                                                                                | Description                                                                   |
|-----------------------------------------------------------------------------------|----------------|---------|---------------------------------------------------------------------------------------------------------|-------------------------------------------------------------------------------|
|                                                                                   | PCM 150/75 G   | 6016314 | <br>6 418074 038081   | Enclosure, PC, metric knock-outs<br>Grey cover                                |
|                                                                                   | PCM 150/75 T   | 6016914 | <br>6 418074 038258   | Enclosure, PC, metric knock-outs<br>Smoked transparent cover                  |
| <b>180x130x85 mm</b>                                                              |                |         |                                                                                                         |                                                                               |
|  | PC 150/85 XHG  | 6013333 | <br>6 418074 061201   | Enclosure, PC<br>Extra high base, grey cover                                  |
|                                                                                   | PC 150/85 XHT  | 6013933 | <br>6 418074 061263   | Enclosure, PC<br>Extra high base, smoked transparent cover                    |
|                                                                                   | ABS 150/85 XHG | 6083333 | <br>6 418074 061317   | Enclosure, ABS<br>Extra high base, grey cover                                 |
|                                                                                   | ABS 150/85 XHT | 6083933 | <br>6 418074 061362  | Enclosure, ABS<br>Extra high base, smoked transparent cover                   |
|                                                                                   | PC 150/85 XHF  | 6013833 | <br>6 418074 061218 | Enclosure, PC<br>High base, grey cover                                        |
|                                                                                   | PCM 150/85 XG  | 6016333 | <br>6 418074 061416 | Enclosure, PC, metric knock-outs<br>Extra high base, grey cover               |
|                                                                                   | PCM 150/85 XT  | 6016933 | <br>6 418074 061461 | Enclosure, PC, metric knock-outs<br>Extra high base, smoked transparent cover |

PC: IP66/IP67, IK08  
ABS: IP66/IP67, IK07

| Dimensions                                                                         | Order Symbol    | Code    | EAN Code                                                                                                | Description                                                                   |
|------------------------------------------------------------------------------------|-----------------|---------|---------------------------------------------------------------------------------------------------------|-------------------------------------------------------------------------------|
| <b>180x130x100 mm</b>                                                              |                 |         |                                                                                                         |                                                                               |
|  | PC 150/100 LG   | 6012316 | <br>6 418074 022165   | Enclosure, PC<br>Low base, grey cover                                         |
|                                                                                    | PC 150/100 HG   | 6011315 | <br>6 418074 022196   | Enclosure, PC<br>High base, grey cover                                        |
|                                                                                    | PC 150/100 LT   | 6012916 | <br>6 418074 022400   | Enclosure, PC<br>Low base, smoked transparent cover                           |
|                                                                                    | PC 150/100 HT   | 6011915 | <br>6 418074 022431   | Enclosure, PC<br>High base, smoked transparent cover                          |
|                                                                                    | ABS 150/100 LG  | 6082316 | <br>6 418074 022929   | Enclosure, ABS<br>Low base, grey cover                                        |
|                                                                                    | ABS 150/100 HG  | 6081315 | <br>6 418074 022950  | Enclosure, ABS<br>High base, grey cover                                       |
|                                                                                    | ABS 150/100 LT  | 6082916 | <br>6 418074 023162 | Enclosure, ABS<br>Low base, smoked transparent cover                          |
|                                                                                    | ABS 150/100 HT  | 6081915 | <br>6 418074 023193 | Enclosure, ABS<br>High base, smoked transparent cover                         |
|                                                                                    | PCM 150/100 G   | 6016315 | <br>6 418074 038098 | Enclosure, PC, metric knock-outs<br>Grey cover                                |
|                                                                                    | PCM 150/100 T   | 6016915 | <br>6 418074 038265 | Enclosure, PC, metric knock-outs<br>Smoked transparent cover                  |
|                                                                                    | PC 150/100 XHG  | 6013334 | <br>6 418074 061225 | Enclosure, PC<br>Extra high base, grey cover                                  |
|                                                                                    | PC 150/100 XHT  | 6013934 | <br>6 418074 061270 | Enclosure, PC<br>Extra high base, smoked transparent cover                    |
|                                                                                    | ABS 150/100 XHG | 6083334 | <br>6 418074 061324 | Enclosure, ABS<br>Extra high base, grey cover                                 |
|                                                                                    | ABS 150/100 XHT | 6083934 | <br>6 418074 061379 | Enclosure, ABS<br>Extra high base, smoked transparent cover                   |
|                                                                                    | PCM 150/100 XG  | 6016334 | <br>6 418074 061423 | Enclosure, PC, metric knock-outs<br>Extra high base, grey cover               |
|                                                                                    | PCM 150/100 XT  | 6016934 | <br>6 418074 061478 | Enclosure, PC, metric knock-outs<br>Extra high base, smoked transparent cover |

| Dimensions                                                                         | Order Symbol    | Code    | EAN Code                                                                                             | Description                                                                   |
|------------------------------------------------------------------------------------|-----------------|---------|------------------------------------------------------------------------------------------------------|-------------------------------------------------------------------------------|
| <b>180x130x125 mm</b>                                                              |                 |         |                                                                                                      |                                                                               |
|  | PC 150/125 LG   | 6012317 |  6 418074 052155   | Enclosure, PC<br>Low base, grey cover                                         |
|                                                                                    | PC 150/125 HG   | 6011316 |  6 418074 022202   | Enclosure, PC<br>High base, grey cover                                        |
|                                                                                    | PC 150/125 HT   | 6011916 |  6 418074 022448   | Enclosure, PC<br>High base, smoked transparent cover                          |
|                                                                                    | ABS 150/125 HG  | 6081316 |  6 418074 022967   | Enclosure, ABS<br>High base, grey cover                                       |
|                                                                                    | ABS 150/125 HT  | 6081916 |  6 418074 023209   | Enclosure, ABS<br>High base, smoked transparent cover                         |
|                                                                                    | PCM 150/125 G   | 6016316 |  6 418074 038104  | Enclosure, PC, metric knock-outs<br>Grey cover                                |
|                                                                                    | PCM 150/125 T   | 6016916 |  6 418074 038272 | Enclosure, PC, metric knock-outs<br>Smoked transparent cover                  |
|                                                                                    | PC 150/125 LT   | 6012917 |  6 418074 052162 | Enclosure, PC<br>Low base, smoked transparent cover                           |
|                                                                                    | ABS 150/125 LG  | 6082317 |  6 418074 052292 | Enclosure, ABS<br>Low base, grey cover                                        |
|                                                                                    | ABS 150/125 LT  | 6082917 |  6 418074 052308 | Enclosure, ABS<br>Low base, smoked transparent cover                          |
|                                                                                    | PC 150/125 XHG  | 6013335 |  6 418074 061232 | Enclosure, PC<br>Extra high base, grey cover                                  |
|                                                                                    | PC 150/125 XHT  | 6013935 |  6 418074 061287 | Enclosure, PC<br>Extra high base, smoked transparent cover                    |
|                                                                                    | ABS 150/125 XHG | 6083335 |  6 418074 061331 | Enclosure, ABS<br>Extra high base, grey cover                                 |
|                                                                                    | ABS 150/125 XHT | 6083935 |  6 418074 061386 | Enclosure, ABS<br>Extra high base, smoked transparent cover                   |
|                                                                                    | PCM 150/125 XG  | 6016335 |  6 418074 061430 | Enclosure, PC, metric knock-outs<br>Extra high base, grey cover               |
|                                                                                    | PCM 150/125 XT  | 6016935 |  6 418074 061485 | Enclosure, PC, metric knock-outs<br>Extra high base, smoked transparent cover |

PC: IP66/IP67, IK08  
 ABS: IP66/IP67, IK07

| Dimensions                                                                        | Order Symbol    | Code    | EAN Code                                                                                                | Description                                                                   |
|-----------------------------------------------------------------------------------|-----------------|---------|---------------------------------------------------------------------------------------------------------|-------------------------------------------------------------------------------|
| <b>180x130x150 mm</b>                                                             |                 |         |                                                                                                         |                                                                               |
|  | PC 150/150 HG   | 6011317 | <br>6 418074 052179   | Enclosure, PC<br>High base, grey cover                                        |
|                                                                                   | PC 150/150 HT   | 6011917 | <br>6 418074 052186   | Enclosure, PC<br>High base, smoked transparent cover                          |
|                                                                                   | PCM 150/150 G   | 6016317 | <br>6 418074 052230   | Enclosure, PC, metric knock-outs<br>Grey cover                                |
|                                                                                   | PCM 150/150 T   | 6016917 | <br>6 418074 052247   | Enclosure, PC, metric knock-outs<br>Smoked transparent cover                  |
|                                                                                   | ABS 150/150 HG  | 6081317 | <br>6 418074 052315   | Enclosure, ABS<br>High base, grey cover                                       |
|                                                                                   | ABS 150/150 HT  | 6081917 | <br>6 418074 052322  | Enclosure, ABS<br>High base, smoked transparent cover                         |
|                                                                                   | PC 150/150 XHG  | 6013336 | <br>6 418074 061249 | Enclosure, PC<br>Extra high base, grey cover                                  |
|                                                                                   | PC 150/150 XHT  | 6013936 | <br>6 418074 061294 | Enclosure, PC<br>Extra high base, smoked transparent cover                    |
|                                                                                   | ABS 150/150 XHG | 6083336 | <br>6 418074 061348 | Enclosure, ABS<br>Extra high base, grey cover                                 |
|                                                                                   | ABS 150/150 XHT | 6083936 | <br>6 418074 061393 | Enclosure, ABS<br>Extra high base, smoked transparent cover                   |
|                                                                                   | PCM 150/150 XG  | 6016336 | <br>6 418074 061447 | Enclosure, PC, metric knock-outs<br>Extra high base, grey cover               |
|                                                                                   | PCM 150/150 XT  | 6016936 | <br>6 418074 061492 | Enclosure, PC, metric knock-outs<br>Extra high base, smoked transparent cover |

| Dimensions                                                                          | Order Symbol    | Code    | EAN Code                                                                                                | Description                                                                   |
|-------------------------------------------------------------------------------------|-----------------|---------|---------------------------------------------------------------------------------------------------------|-------------------------------------------------------------------------------|
| <b>180x130x175 mm</b>                                                               |                 |         |                                                                                                         |                                                                               |
|   | PC 150/175 XHG  | 6013337 | <br>6 418074 061256   | Enclosure, PC<br>Extra high base, grey cover                                  |
|                                                                                     | PC 150/175 XHT  | 6013937 | <br>6 418074 061300   | Enclosure, PC<br>Extra high base, smoked transparent cover                    |
|                                                                                     | ABS 150/175 XHG | 6083337 | <br>6 418074 061355   | Enclosure, ABS<br>Extra high base, grey cover                                 |
|                                                                                     | ABS 150/175 XHT | 6083937 | <br>6 418074 061409   | Enclosure, ABS<br>Extra high base, smoked transparent cover                   |
|                                                                                     | PCM 150/175 XG  | 6016337 | <br>6 418074 061454   | Enclosure, PC, metric knock-outs<br>Extra high base, grey cover               |
|                                                                                     | PCM 150/175 XT  | 6016937 | <br>6 418074 061508  | Enclosure, PC, metric knock-outs<br>Extra high base, smoked transparent cover |
| <b>180x180x60 mm</b>                                                                |                 |         |                                                                                                         |                                                                               |
|  | PC 175/60 HG    | 6011319 | <br>6 418074 022219 | Enclosure, PC<br>High base, grey cover                                        |
|                                                                                     | PC 175/60 HT    | 6011919 | <br>6 418074 022455 | Enclosure, PC<br>High base, smoked transparent cover                          |
|                                                                                     | ABS 175/60 HG   | 6081319 | <br>6 418074 022974 | Enclosure, ABS<br>High base, grey cover                                       |
|                                                                                     | ABS 175/60 HT   | 6081919 | <br>6 418074 023216 | Enclosure, ABS<br>High base, smoked transparent cover                         |
|                                                                                     | PCM 175/60 G    | 6016319 | <br>6 418074 038111 | Enclosure, PC, metric knock-outs<br>Grey cover                                |
|                                                                                     | PCM 175/60 T    | 6016919 | <br>6 418074 038289 | Enclosure, PC, metric knock-outs<br>Smoked transparent cover                  |

PC: IP66/IP67, IK08  
ABS: IP66/IP67, IK07

| Dimensions                                                                                                                                                                 | Order Symbol   | Code                                                                                                    | EAN Code                                                                                                | Description                                                  |
|----------------------------------------------------------------------------------------------------------------------------------------------------------------------------|----------------|---------------------------------------------------------------------------------------------------------|---------------------------------------------------------------------------------------------------------|--------------------------------------------------------------|
| <b>180x180x75 mm</b>                                                                                                                                                       |                |                                                                                                         |                                                                                                         |                                                              |
|                                                                                           | PC 175/75 HG   | 6011320                                                                                                 | <br>6 418074 024411   | Enclosure, PC<br>High base, grey cover                       |
|                                                                                                                                                                            | PC 175/75 HT   | 6011920                                                                                                 | <br>6 418074 024435   | Enclosure, PC<br>High base, smoked transparent cover         |
|                                                                                                                                                                            | ABS 175/75 HG  | 6081320                                                                                                 | <br>6 418074 024459   | Enclosure, ABS<br>High base, grey cover                      |
|                                                                                                                                                                            | ABS 175/75 HT  | 6081920                                                                                                 | <br>6 418074 024473   | Enclosure, ABS<br>High base, smoked transparent cover        |
|                                                                                                                                                                            | PCM 175/75 G   | 6016320                                                                                                 | <br>6 418074 024497   | Enclosure, PC, metric knock-outs<br>Grey cover               |
|                                                                                                                                                                            | PCM 175/75 T   | 6016920                                                                                                 | <br>6 418074 024510  | Enclosure, PC, metric knock-outs<br>Smoked transparent cover |
| <b>180x180x100 mm</b>                                                                                                                                                      |                |                                                                                                         |                                                                                                         |                                                              |
| <br> | PC 175/100 HG  | 6011321                                                                                                 | <br>6 418074 022226 | Enclosure, PC<br>High base, grey cover                       |
|                                                                                                                                                                            | PC 175/100 HT  | 6011921                                                                                                 | <br>6 418074 022462 | Enclosure, PC<br>High base, smoked transparent cover         |
|                                                                                                                                                                            | ABS 175/100 HG | 6081321                                                                                                 | <br>6 418074 022981 | Enclosure, ABS<br>High base, grey cover                      |
|                                                                                                                                                                            | ABS 175/100 HT | 6081921                                                                                                 | <br>6 418074 023223 | Enclosure, ABS<br>High base, smoked transparent cover        |
|                                                                                                                                                                            | PCM 175/100 G  | 6016321                                                                                                 | <br>6 418074 038128 | Enclosure, PC, metric knock-outs<br>Grey cover               |
|                                                                                                                                                                            | PCM 175/100 T  | 6016921                                                                                                 | <br>6 418074 038296 | Enclosure, PC, metric knock-outs<br>Smoked transparent cover |
|                                                                                                                                                                            | PC 175/100 XHG | 6013340                                                                                                 | <br>6 418074 011701 | Enclosure, PC<br>High base, grey cover                       |
|                                                                                                                                                                            | PC 175/100 XHT | 6013940                                                                                                 | <br>6 418074 011756 | Enclosure, PC<br>High base, Smoked transparent cover         |
| PCM 175/100 XG                                                                                                                                                             | 6016340        | <br>6 418074 011800 | Enclosure, PC, metric knock-outs<br>Grey cover                                                          |                                                              |

| Dimensions                                                                         | Order Symbol    | Code    | EAN Code                                                                                                | Description                                                  |
|------------------------------------------------------------------------------------|-----------------|---------|---------------------------------------------------------------------------------------------------------|--------------------------------------------------------------|
|                                                                                    | PCM 175/100 XT  | 6016940 | <br>6 418074 011855   | Enclosure, PC, metric knock-outs<br>Smoked transparent cover |
|                                                                                    | ABS 175/100 XHG | 6083340 | <br>6 418074 011909   | Enclosure, ABS<br>High base, grey cover                      |
|                                                                                    | ABS 175/100 XHT | 6083940 | <br>6 418074 011954   | Enclosure, ABS<br>High base, smoked transparent cover        |
| <b>180x180x125 mm</b>                                                              |                 |         |                                                                                                         |                                                              |
|  | PC 175/125 HG   | 6011322 | <br>6 418074 052193   | Enclosure, PC<br>High base, grey cover                       |
|                                                                                    | PC 175/125 HT   | 6011922 | <br>6 418074 052209   | Enclosure, PC<br>High base, smoked transparent cover         |
|                                                                                    | PCM 175/125 G   | 6016322 | <br>6 418074 052254  | Enclosure, PC, metric knock-outs<br>Grey cover               |
|                                                                                    | PCM 175/125 T   | 6016922 | <br>6 418074 052261 | Enclosure, PC, metric knock-outs<br>Smoked transparent cover |
|                                                                                    | ABS 175/125 HG  | 6081322 | <br>6 418074 052339 | Enclosure, ABS<br>High base, grey cover                      |
|                                                                                    | ABS 175/125 HT  | 6081922 | <br>6 418074 052346 | Enclosure, ABS<br>High base, smoked transparent cover        |
|                                                                                    | PC 175/125 XHG  | 6013341 | <br>6 418074 011718 | Enclosure, PC<br>High base, grey cover                       |
|                                                                                    | PC 175/125 XHT  | 6013941 | <br>6 418074 011763 | Enclosure, PC<br>High base, Smoked transparent cover         |
|                                                                                    | PCM 175/125 XG  | 6016341 | <br>6 418074 011817 | Enclosure, PC, metric knock-outs<br>Grey cover               |
|                                                                                    | PCM 175/125 XT  | 6016941 | <br>6 418074 011862 | Enclosure, PC, metric knock-outs<br>Smoked transparent cover |
|                                                                                    | ABS 175/125 XHG | 6083341 | <br>6 418074 011916 | Enclosure, ABS<br>High base, grey cover                      |
|                                                                                    | ABS 175/125 XHT | 6083941 | <br>6 418074 011961 | Enclosure, ABS<br>High base, smoked transparent cover        |

PC: IP66/IP67, IK08  
 ABS: IP66/IP67, IK07

| Dimensions                                                                        | Order Symbol    | Code    | EAN Code                                                                                                | Description                                                  |
|-----------------------------------------------------------------------------------|-----------------|---------|---------------------------------------------------------------------------------------------------------|--------------------------------------------------------------|
| <b>180x180x150 mm</b>                                                             |                 |         |                                                                                                         |                                                              |
|  | PC 175/150 HG   | 6011323 | <br>6 418074 052216   | Enclosure, PC<br>High base, grey cover                       |
|                                                                                   | PC 175/150 HT   | 6011923 | <br>6 418074 052223   | Enclosure, PC<br>High base, smoked transparent cover         |
|                                                                                   | PCM 175/150 G   | 6016323 | <br>6 418074 052278   | Enclosure, PC, metric knock-outs<br>Grey cover               |
|                                                                                   | PCM 175/150 T   | 6016923 | <br>6 418074 052285   | Enclosure, PC, metric knock-outs<br>Smoked transparent cover |
|                                                                                   | ABS 175/150 HG  | 6081323 | <br>6 418074 052353   | Enclosure, ABS<br>High base, grey cover                      |
|                                                                                   | ABS 175/150 HT  | 6081923 | <br>6 418074 052360  | Enclosure, ABS<br>High base, smoked transparent cover        |
|                                                                                   | PC 175/150 XHG  | 6013342 | <br>6 418074 011725 | Enclosure, PC<br>High base, grey cover                       |
|                                                                                   | PC 175/150 XHT  | 6013942 | <br>6 418074 011770 | Enclosure, PC<br>High base, Smoked transparent cover         |
|                                                                                   | PCM 175/150 XG  | 6016342 | <br>6 418074 011824 | Enclosure, PC, metric knock-outs<br>Grey cover               |
|                                                                                   | PCM 175/150 XT  | 6016942 | <br>6 418074 011879 | Enclosure, PC, metric knock-outs<br>Smoked transparent cover |
|                                                                                   | ABS 175/150 XHG | 6083342 | <br>6 418074 011923 | Enclosure, ABS<br>High base, grey cover                      |
|                                                                                   | ABS 175/150 XHT | 6083942 | <br>6 418074 011978 | Enclosure, ABS<br>High base, smoked transparent cover        |



| Dimensions                                                                          | Order Symbol  | Code    | EAN Code                                                                                                | Description                                                  |
|-------------------------------------------------------------------------------------|---------------|---------|---------------------------------------------------------------------------------------------------------|--------------------------------------------------------------|
| <b>255x180x63 mm</b>                                                                |               |         |                                                                                                         |                                                              |
|    | PC 200/63 HG  | 6011324 | <br>6 418074 051912   | Enclosure, PC<br>High base, grey cover                       |
|                                                                                     | PC 200/63 HT  | 6011924 | <br>6 418074 051929   | Enclosure, PC<br>High base, smoked transparent cover         |
|                                                                                     | ABS 200/63 HG | 6081324 | <br>6 418074 051998   | Enclosure, ABS<br>High base, grey cover                      |
|                                                                                     | ABS 200/63 HT | 6081924 | <br>6 418074 052001   | Enclosure, ABS<br>High base, smoked transparent cover        |
|                                                                                     | PCM 200/63 G  | 6016324 | <br>6 418074 051950   | Enclosure, PC, metric knock-outs<br>Grey cover               |
|                                                                                     | PCM 200/63 T  | 6016924 | <br>6 418074 051967  | Enclosure, PC, metric knock-outs<br>Smoked transparent cover |
| <b>255x180x75 mm</b>                                                                |               |         |                                                                                                         |                                                              |
|  | PC 200/75 HG  | 6011326 | <br>6 418074 021977 | Enclosure, PC<br>High base, grey cover                       |
|                                                                                     | PC 200/75 HT  | 6011926 | <br>6 418074 021984 | Enclosure, PC<br>High base, smoked transparent cover         |
|                                                                                     | ABS 200/75 HG | 6081326 | <br>6 418074 021779 | Enclosure, ABS<br>High base, grey cover                      |
|                                                                                     | ABS 200/75 HT | 6081926 | <br>6 418074 021786 | Enclosure, ABS<br>High base, smoked transparent cover        |
|                                                                                     | PCM 200/75 G  | 6016326 | <br>6 418074 038142 | Enclosure, PC, metric knock-outs<br>Grey cover               |
|                                                                                     | PCM 200/75 T  | 6016926 | <br>6 418074 038319 | Enclosure, PC, metric knock-outs<br>Smoked transparent cover |

PC: IP66/IP67, IK08  
 ABS: IP66/IP67, IK07

| Dimensions                                                                          | Order Symbol    | Code    | EAN Code                                                                                                | Description                                                                   |
|-------------------------------------------------------------------------------------|-----------------|---------|---------------------------------------------------------------------------------------------------------|-------------------------------------------------------------------------------|
| <b>255x180x88 mm</b>                                                                |                 |         |                                                                                                         |                                                                               |
|    | PC 200/88 XHG   | 6013330 | <br>6 418074 051936   | Enclosure, PC<br>Extra high base, grey cover                                  |
|                                                                                     | PC 200/88 XHT   | 6013930 | <br>6 418074 051943   | Enclosure, PC<br>Extra high base, smoked transparent cover                    |
|                                                                                     | ABS 200/88 XHG  | 6083330 | <br>6 418074 052018   | Enclosure, ABS<br>Extra high base, grey cover                                 |
|                                                                                     | ABS 200/88 XHT  | 6083930 | <br>6 418074 052025   | Enclosure, ABS<br>Extra high base, smoked transparent cover                   |
|                                                                                     | PCM 200/88 XG   | 6015330 | <br>6 418074 051974   | Enclosure, PC, metric knock-outs<br>Extra high base, grey cover               |
|                                                                                     | PCM 200/88 XT   | 6015930 | <br>6 418074 051981  | Enclosure, PC, metric knock-outs<br>Extra high base, smoked transparent cover |
| <b>255x180x100 mm</b>                                                               |                 |         |                                                                                                         |                                                                               |
|  | PC 200/100 HG   | 6011327 | <br>6 418074 022240 | Enclosure, PC<br>High base, grey cover                                        |
|                                                                                     | PC 200/100 XHG  | 6013326 | <br>6 418074 021915 | Enclosure, PC<br>Extra high base, grey cover                                  |
|                                                                                     | PC 200/100 HT   | 6011927 | <br>6 418074 022486 | Enclosure, PC<br>High base, smoked transparent cover                          |
|                                                                                     | PC 200/100 XHT  | 6013926 | <br>6 418074 021922 | Enclosure, PC<br>Extra high base, smoked transparent cover                    |
|                                                                                     | ABS 200/100 HG  | 6081327 | <br>6 418074 023001 | Enclosure, ABS<br>High base, grey cover                                       |
|                                                                                     | ABS 200/100 XHG | 6083326 | <br>6 418074 021717 | Enclosure, ABS<br>Extra high base, grey cover                                 |
|                                                                                     | ABS 200/100 HT  | 6081927 | <br>6 418074 023247 | Enclosure, ABS<br>High base, smoked transparent cover                         |
|                                                                                     | ABS 200/100 XHT | 6083926 | <br>6 418074 021724 | Enclosure, ABS<br>Extra high base, smoked transparent cover                   |
|                                                                                     | PCM 200/100 G   | 6016327 | <br>6 418074 038159 | Enclosure, PC, metric knock-outs<br>Grey cover                                |

| Dimensions                                                                          | Order Symbol    | Code    | EAN Code                                                                                                | Description                                                                   |
|-------------------------------------------------------------------------------------|-----------------|---------|---------------------------------------------------------------------------------------------------------|-------------------------------------------------------------------------------|
|                                                                                     | PCM 200/100 XG  | 6015326 | <br>6 418074 038357   | Enclosure, PC, metric knock-outs<br>Extra high base, grey cover               |
|                                                                                     | PCM 200/100 T   | 6016927 | <br>6 418074 038326   | Enclosure, PC, metric knock-outs<br>Smoked transparent cover                  |
|                                                                                     | PCM 200/100 XT  | 6015926 | <br>6 418074 038395   | Enclosure, PC, metric knock-outs<br>Extra high base, smoked transparent cover |
| <b>255x180x125 mm</b>                                                               |                 |         |                                                                                                         |                                                                               |
|   | PC 200/125 XHG  | 6013327 | <br>6 418074 021939   | Enclosure, PC<br>Extra high base, grey cover                                  |
|                                                                                     | PC 200/125 XHT  | 6013927 | <br>6 418074 021946   | Enclosure, PC<br>Extra high base, smoked transparent cover                    |
|                                                                                     | ABS 200/125 XHG | 6083327 | <br>6 418074 021731  | Enclosure, ABS<br>Extra high base, grey cover                                 |
|                                                                                     | ABS 200/125 XHT | 6083927 | <br>6 418074 021748 | Enclosure, ABS<br>Extra high base, smoked transparent cover                   |
|                                                                                     | PCM 200/125 XG  | 6015327 | <br>6 418074 038364 | Enclosure, PC, metric knock-outs<br>Extra high base, grey cover               |
|                                                                                     | PCM 200/125 XT  | 6015927 | <br>6 418074 038401 | Enclosure, PC, metric knock-outs<br>Extra high base, smoked transparent cover |
| <b>255x180x150 mm</b>                                                               |                 |         |                                                                                                         |                                                                               |
|  | PC 200/150 HG   | 6011329 | <br>6 418074 014108 | Enclosure, PC<br>High base, grey cover                                        |
|                                                                                     | PC 200/150 HT   | 6011929 | <br>6 418074 014115 | Enclosure, PC<br>High base, smoked transparent cover                          |
|                                                                                     | ABS 200/150 HG  | 6081329 | <br>6 418074 014146 | Enclosure, ABS<br>High base, grey cover                                       |
|                                                                                     | ABS 200/150 HT  | 6081929 | <br>6 418074 014153 | Enclosure, ABS<br>High base, smoked transparent cover                         |
|                                                                                     | PCM 200/150 G   | 6016329 | <br>6 418074 038166 | Enclosure, PC, metric knock-outs<br>Grey cover                                |
|                                                                                     | PCM 200/150 T   | 6016929 | <br>6 418074 038333 | Enclosure, PC, metric knock-outs<br>Smoked transparent cover                  |

PC: IP66/IP67, IK08  
 ABS: IP66/IP67, IK07

| Dimensions                                                                          | Order Symbol    | Code    | EAN Code                                                                                                | Description                                                                   |
|-------------------------------------------------------------------------------------|-----------------|---------|---------------------------------------------------------------------------------------------------------|-------------------------------------------------------------------------------|
| <b>255x180x175 mm</b>                                                               |                 |         |                                                                                                         |                                                                               |
|    | PC 200/175 XHG  | 6013329 | <br>6 418074 021953   | Enclosure, PC<br>Extra high base, grey cover                                  |
|                                                                                     | PC 200/175 XHT  | 6013929 | <br>6 418074 021960   | Enclosure, PC<br>Extra high base, smoked transparent cover                    |
|                                                                                     | ABS 200/175 XHG | 6083329 | <br>6 418074 021755   | Enclosure, ABS<br>Extra high base, grey cover                                 |
|                                                                                     | ABS 200/175 XHT | 6083929 | <br>6 418074 021762   | Enclosure, ABS<br>Extra high base, smoked transparent cover                   |
|                                                                                     | PCM 200/175 XG  | 6015329 | <br>6 418074 038371   | Enclosure, PC, metric knock-outs<br>Extra high base, grey cover               |
|                                                                                     | PCM 200/175 XT  | 6015929 | <br>6 418074 038418  | Enclosure, PC, metric knock-outs<br>Extra high base, smoked transparent cover |
| <b>360x255x152 mm</b>                                                               |                 |         |                                                                                                         |                                                                               |
|  | PC 300/150 ZG   | 6017338 | <br>6 418074 061515 | Enclosure, PC<br>Grey cover                                                   |
|                                                                                     | PC 300/150 ZT   | 6017938 | <br>6 418074 061522 | Enclosure, PC<br>Smoked transparent cover                                     |
|                                                                                     | ABS 300/150 ZG  | 6087338 | <br>6 418074 061539 | Enclosure, ABS<br>Grey cover                                                  |
|                                                                                     | ABS 300/150 ZT  | 6087938 | <br>6 418074 061546 | Enclosure, ABS<br>Smoked transparent cover                                    |
|                                                                                     | PCM 300/150 ZG  | 6016338 | <br>6 418074 061553 | Enclosure, PC, metric knock-outs<br>Grey cover                                |
|                                                                                     | PCM 300/150 ZT  | 6016938 | <br>6 418074 061560 | Enclosure, PC, metric knock-outs<br>Smoked transparent cover                  |

**MNX technical information**

| Property                                             | Polycarbonate (PC)                     | ABS                       |
|------------------------------------------------------|----------------------------------------|---------------------------|
| Ingress Protection (EN 60529)                        | IP 66/IP 67                            | IP 66/IP 67               |
| Impact Resistance (EN 62262)                         | IK 08                                  | IK 07                     |
| Temperature Range Celsius (short term)               | -40° . . 120°C                         | -40° . . 80°C             |
| Temperature Range Celsius (continuous)               | -40° . . 80°C                          | -40° . . 60°C             |
| Temperature Range Fahrenheit (short term)            | -40° . . 250°F                         | -40° . . 175°F            |
| Temperature Range Fahrenheit (continuous)            | -40° . . 175°F                         | -40° . . 140°F            |
| Electrical Insulation                                | Totally insulated ☐                    | Totally insulated ☐       |
| Light Grey Parts Colour                              | RAL 7035<br>Industry Grey              | RAL 7035<br>Industry Grey |
| Transparent Clear PC Cover                           | Smoked Grey                            | Smoked Grey               |
| Cover Screws                                         | Black or Grey                          | Black or Grey             |
| Cover Screws                                         | Polyamide (PA)                         | Polyamide (PA)            |
| Gasket                                               | TPE/PUR                                | TPE/PUR                   |
| Enclosure Flammability Rating                        | UL 746C 5V*                            |                           |
| Glow Wire Test (IEC 695-2-1) Self-extinguishing (PC) | 960°C                                  | 650°C                     |
| Non-toxicity                                         | Halogen Free                           | Halogen Free              |
| UV resistance                                        | UL 508<br>720 hours in "Weatherometer" |                           |
| Chemical Resistance **                               | Good                                   | Good                      |

**Conformity to standards**

**USA** Enclosures for Electrical Equipment  
 PC: UL Type 1, 4, 4X, 6 (12 or 13); UL File E75645 Vol 1 Sec 7;  
 UL 746C-5VA flame test (UL 50/508)\*  
 ABS: NEMA 1, 4, 4X, 6 (12 or 13)

**Canada** Industrial Control Equipment  
 Enclosures for Electrical Equipment/ULc\*

**Europe** Empty enclosures for low-voltage switchgear and controlgear assemblies EN 62208:2003

**Europe** Safety of Information Technology Equipment EN 60950  
 RoHS directive 2002/95/EC

**Russia** GostR - Gost Russian certificate of conformity

\*UL label on request

Data subject to change without notice.

\*\* Consult separate raw material data for more detailed information





|                                                                                     | Order symbol | Code    | Dimensions | EAN code                                                                                                | Description                                                                  |
|-------------------------------------------------------------------------------------|--------------|---------|------------|---------------------------------------------------------------------------------------------------------|------------------------------------------------------------------------------|
| <b>Mounting plates (Galvanized steel, sheet thickness 1,5 mm)</b>                   |              |         |            |                                                                                                         |                                                                              |
|    | MIV 95       | 5514583 | 80x66      | <br>6 418074 056696   | Mounting plate (Galvanized steel), for enclosures:<br>100x100x35-100x100x75  |
|                                                                                     | MIV 100      | 5514076 | 48x98      | <br>6 418074 039484   | Mounting plate (Galvanized steel), for enclosures:<br>130x80x35-130x80x125   |
|                                                                                     | MIV 125      | 5514077 | 98x98      | <br>6 418074 039491   | Mounting plate (Galvanized steel), for enclosures:<br>130x130x35-130x130x125 |
|                                                                                     | MIV 150      | 5514078 | 98x148     | <br>6 418074 039507   | Mounting plate (Galvanized steel), for enclosures:<br>180x130x35-255x180x175 |
|                                                                                     | MIV 175      | 5514079 | 148x148    | <br>6 418074 039514   | Mounting plate (Galvanized steel), for enclosures:<br>180x180x60-180x180x125 |
|                                                                                     | MIV 200      | 5514080 | 148x223    | <br>6 418074 039521  | Mounting plate (Galvanized steel), for enclosures:<br>255x180x63-255x180x175 |
|                                                                                     | MIV 300      | 5514585 | 225x330    | <br>6 418074 061577 | Mounting plate (Galvanized steel), for enclosures:<br>360x255x152            |
| <b>DIN-15 Mounting rails (Galvanized steel, rail height 5,0 mm)</b>                 |              |         |            |                                                                                                         |                                                                              |
|  | MIN 5        | 6314575 | 50x15      | <br>6 418074 023278 | DIN-15 Mounting rail, for enclosures:<br>130x80x35-130x80x125                |
|                                                                                     | MIN 8        | 6314584 | 80x15      | <br>6 418074 058188 | DIN-15 Mounting rail, for enclosures:<br>100x100x35-100x100x75               |
|                                                                                     | MIN 10       | 6314576 | 100x15     | <br>6 418074 023285 | DIN-15 Mounting rail, for enclosures:<br>130x80x35-180x130x175               |
|                                                                                     | MIN 15       | 6314577 | 150x15     | <br>6 418074 023292 | DIN-15 Mounting rail, for enclosures:<br>180x130x35-360x255x152              |
|                                                                                     | MIN 20       | 6314578 | 225x15     | <br>6 418074 023308 | DIN-15 Mounting rail, for enclosures:<br>255x180x63-360x255x152              |

|                                                                                     | Order symbol | Code    | Dimensions | EAN code                                                                                                | Description                                                        |
|-------------------------------------------------------------------------------------|--------------|---------|------------|---------------------------------------------------------------------------------------------------------|--------------------------------------------------------------------|
| <b>DIN-35 Mounting rails (Galvanized steel, rail height 7,5 mm)</b>                 |              |         |            |                                                                                                         |                                                                    |
|    | MIV 5        | 5514081 | 50x35      | <br>6 418074 033185   | DIN-35 Mounting rail, for enclosures:<br>130x80x35-130x80x125      |
|                                                                                     | MIV 10       | 5514082 | 100x35     | <br>6 418074 033192   | DIN-35 Mounting rail, for enclosures:<br>130x80x35-180x130x175     |
|                                                                                     | MIV 15       | 5514083 | 150x35     | <br>6 418074 033208   | DIN-35 Mounting rail, for enclosures:<br>180x130x35-360x255x152    |
|                                                                                     | MIV 20       | 5514084 | 225x35     | <br>6 418074 033215   | DIN-35 Mounting rail, for enclosures:<br>255x180x63-360x255x152    |
|                                                                                     | MIV 30       | 5514586 | 329x35     | <br>6 418074 061584   | DIN-35 Mounting rail, for enclosures:<br>360x255x152               |
| <b>Front plates (Aluminium, sheet thickness 1,5 mm)</b>                             |              |         |            |                                                                                                         |                                                                    |
|  | FP A 100/130 | 6314570 | 62x120     | <br>6 418074 023339 | Front plate (Aluminium), for enclosures:<br>130x80x35-130x80x125   |
|                                                                                     | FP A 125/130 | 6314571 | 112x120    | <br>6 418074 023346 | Front plate (Aluminium), for enclosures:<br>130x130x35-130x130x125 |
|                                                                                     | FP A 150/180 | 6314572 | 112x170    | <br>6 418074 023353 | Front plate (Aluminium), for enclosures:<br>180x130x35-180x130x175 |
|                                                                                     | FP A 175/180 | 6314573 | 162x170    | <br>6 418074 023360 | Front plate (Aluminium), for enclosures:<br>180x180x60-180x180x150 |
|                                                                                     | FP A 200/180 | 6314574 | 170x237    | <br>6 418074 023377 | Front plate (Aluminium), for enclosures:<br>255x180x63-255x180x175 |
| <b>Front plate hinge series</b>                                                     |              |         |            |                                                                                                         |                                                                    |
|  | HFP 130      | 6314563 |            | <br>6 418074 023315 | Front plate hinge series for FP A 100-125                          |
|                                                                                     | HFP 180      | 6314564 |            | <br>6 418074 023322 | Front plate hinge series for FP A 150-200                          |

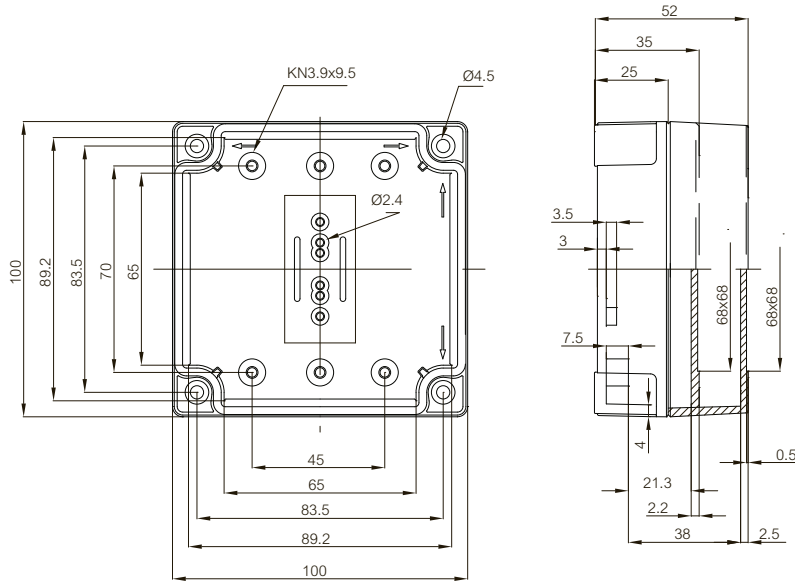
|                                                                                     | Order symbol | Code    | Dimensions | EAN code                                                                                                | Description                                           |
|-------------------------------------------------------------------------------------|--------------|---------|------------|---------------------------------------------------------------------------------------------------------|-------------------------------------------------------|
| <b>Hinges and wall mounting</b>                                                     |              |         |            |                                                                                                         |                                                       |
|    | TH A         | 9802001 |            | <br>6 418074 034120   | Grey plastic hinges (2 pcs)<br>incl. mounting screws  |
|                                                                                     | TH BA        | 9802000 |            | <br>6 418074 062147   | Black plastic hinges (2 pcs)<br>incl. mounting screws |
|                                                                                     | MB 14560     | 6314560 |            | <br>6 418074 039859   | Grey blind plug<br>Use with TH A hinges               |
|                                                                                     | MB 14560B    | 6334560 |            | <br>6 418074 005281   | Black blind plug<br>Use with TH BA hinges             |
|                                                                                     | FP 22046     | 8522346 |            | <br>6 418074 033482   | Wall fastening lug (4 pcs)<br>incl. screws            |
|                                                                                     | FP 10674     | 5510674 |            | <br>6 418074 033079  | Wall fastening lug (2 pcs)<br>incl. screws            |
| <b>Cover screws</b>                                                                 |              |         |            |                                                                                                         |                                                       |
|  | SS 14550L    | 6314550 |            | <br>6 418074 023421 | Cover screw<br>for 10/13 mm cover, grey               |
|                                                                                     | SS 14551H    | 6314551 |            | <br>6 418074 023438 | Cover screw<br>for 25-100 mm covers, grey             |
|                                                                                     | SS 14550BL   | 6334550 |            | <br>6 418074 024374 | Cover screw<br>for 10/13 mm cover, black              |
|                                                                                     | SS 14551BH   | 6334551 |            | <br>6 418074 024381 | Cover screw<br>for 25-100 mm covers, black            |
| <b>Grey screw set for grey covers</b>                                               |              |         |            |                                                                                                         |                                                       |
|  | MBS LL       | 6300001 |            | <br>6 418074 023384 | Low cover (10/13 mm)<br>Low base (25 mm)              |
|                                                                                     | MBS LH       | 6300002 |            | <br>6 418074 023391 | Low cover (10/13 mm)<br>High base (50-125 mm)         |
|                                                                                     | MBS HL       | 6300003 |            | <br>6 418074 023407 | High cover (25-100 mm)<br>Low base (25 mm)            |
|                                                                                     | MBS HH       | 6300004 |            | <br>6 418074 023414 | High cover (25-100 mm)<br>High base (50-125 mm)       |



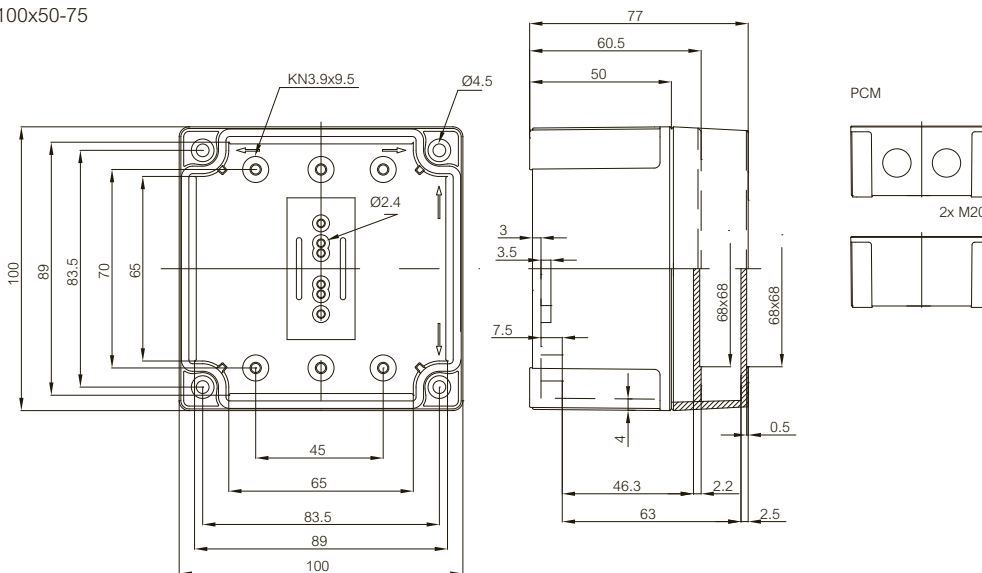
|                                                                                     | Order symbol | Code    | Dimensions | EAN code                                                                                                | Description                                     |
|-------------------------------------------------------------------------------------|--------------|---------|------------|---------------------------------------------------------------------------------------------------------|-------------------------------------------------|
| <b>Black screw set for transparent covers</b>                                       |              |         |            |                                                                                                         |                                                 |
|    | MBS BLL      | 6330001 |            | <br>6 418074 024336   | Low cover (10/13 mm)<br>Low base (25 mm)        |
|                                                                                     | MBS BLH      | 6330002 |            | <br>6 418074 024343   | Low cover (10/13 mm)<br>High base (50 - 125 mm) |
|                                                                                     | MBS BHL      | 6330003 |            | <br>6 418074 024350   | High cover (25-100 mm)<br>Low base (25 mm)      |
|                                                                                     | MBS BHH      | 6330004 |            | <br>6 418074 024367   | High cover (25-100 mm)<br>High base (50-125 mm) |
| <b>Polyamide wing heads</b>                                                         |              |         |            |                                                                                                         |                                                 |
|   | MB 14552     | 6314552 |            | <br>6 418074 023254   | Wing head for cover screw<br>Grey               |
|                                                                                     | MB 14552B    | 6334552 |            | <br>6 418074 040589 | Wing head for cover screw<br>Black              |
|                                                                                     | MBS 14552    | 6300005 |            | <br>6 418074 005144 | Grey wing head set<br>(40 pcs)                  |
|                                                                                     | MBS 14552B   | 6330005 |            | <br>6 418074 005182 | Black wing head set<br>(40 pcs)                 |
| <b>Polyamide sealing plugs</b>                                                      |              |         |            |                                                                                                         |                                                 |
|  | DP 14553     | 6314553 |            | <br>6 418074 023261 | Sealing plug for cover screw<br>Grey            |
|                                                                                     | DP 14553B    | 6334553 |            | <br>6 418074 040763 | Sealing plug for cover screw<br>Black           |
|                                                                                     | DPS 14553    | 6300006 |            | <br>6 418074 005151 | Grey sealing plug set<br>(40 pcs)               |
|                                                                                     | DPS 14553B   | 6330006 |            | <br>6 418074 005274 | Black sealing plug set<br>(40 pcs)              |

|                                                                                   | Order symbol         | Code    | Dimensions | EAN code                                                                                              | Description                                  |
|-----------------------------------------------------------------------------------|----------------------|---------|------------|-------------------------------------------------------------------------------------------------------|----------------------------------------------|
| <b>Mounting screws</b>                                                            |                      |         |            |                                                                                                       |                                              |
|  | MR ZN2.9x6.5         | 6314052 |            | <br>6 418074 040817 | Mounting screw<br>only for low bases (25 mm) |
|                                                                                   | KN 3.9x9.5           | 5514042 |            | <br>6 418074 039477 | Mounting screw                               |
|                                                                                   | KN 3.9x9.5-10<br>SET | 5614042 |            | <br>6 418074 062130 | Mounting screw set<br>10pcs                  |

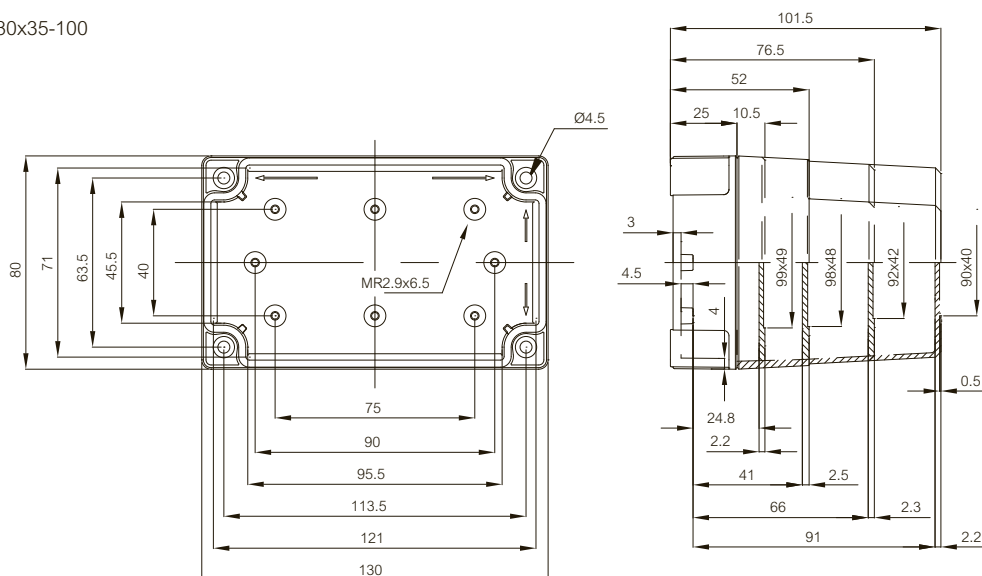
MNX 100x100x35-50



MNX 100x100x50-75

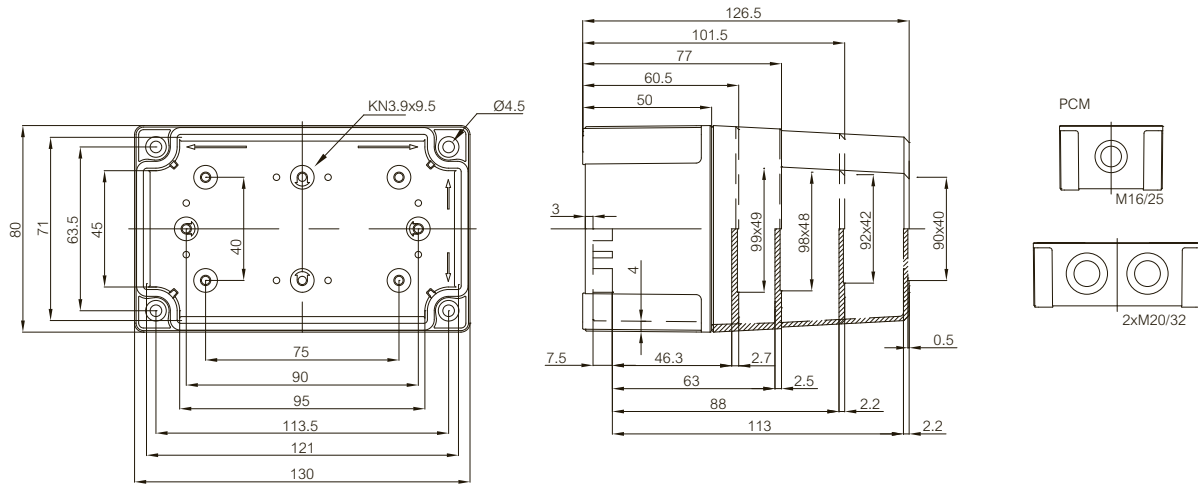


MNX 130x80x35-100

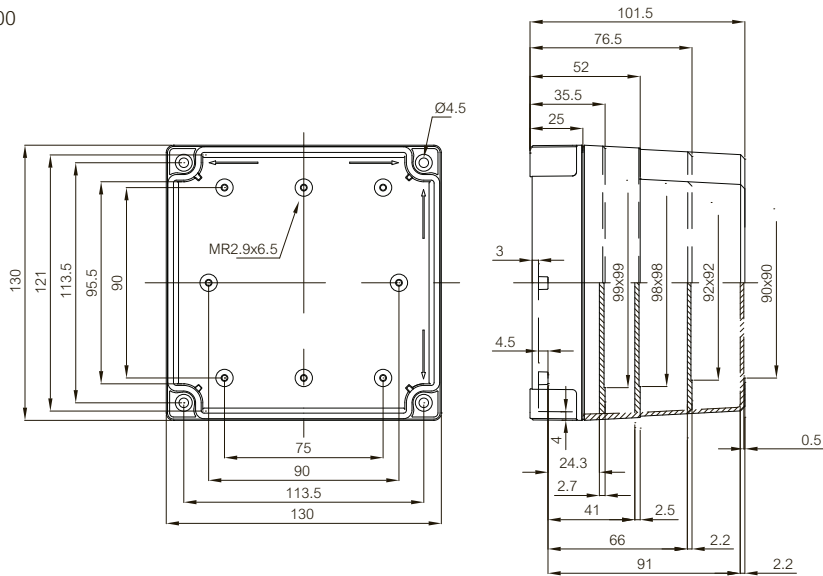


## Dimensional drawings

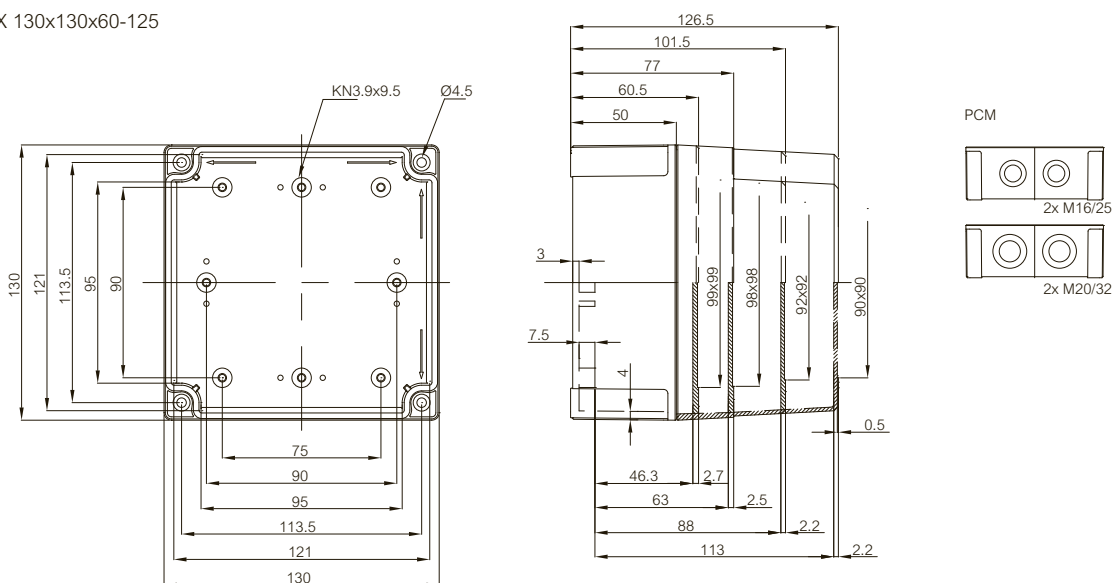
MNX 130x80x60-125



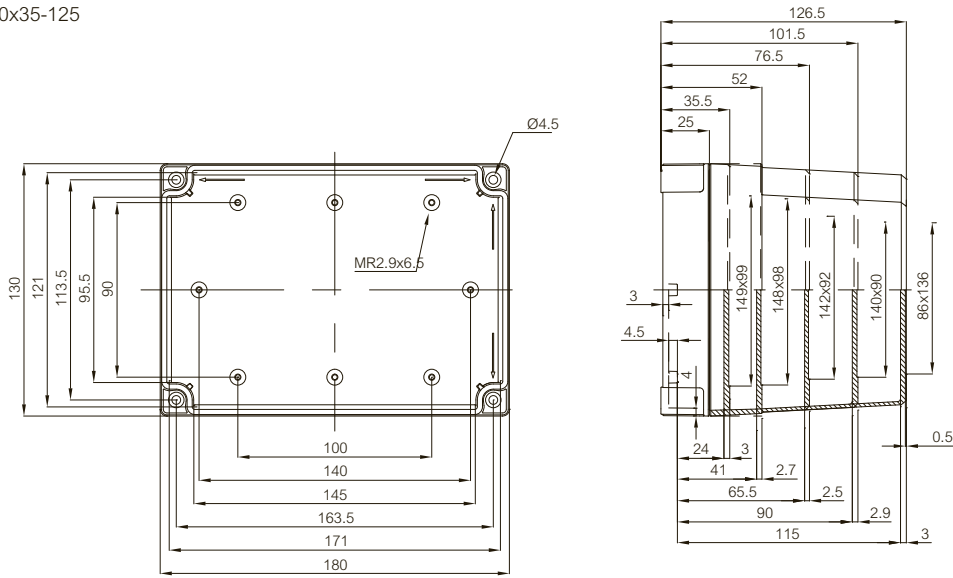
MNX 130x130x35-100



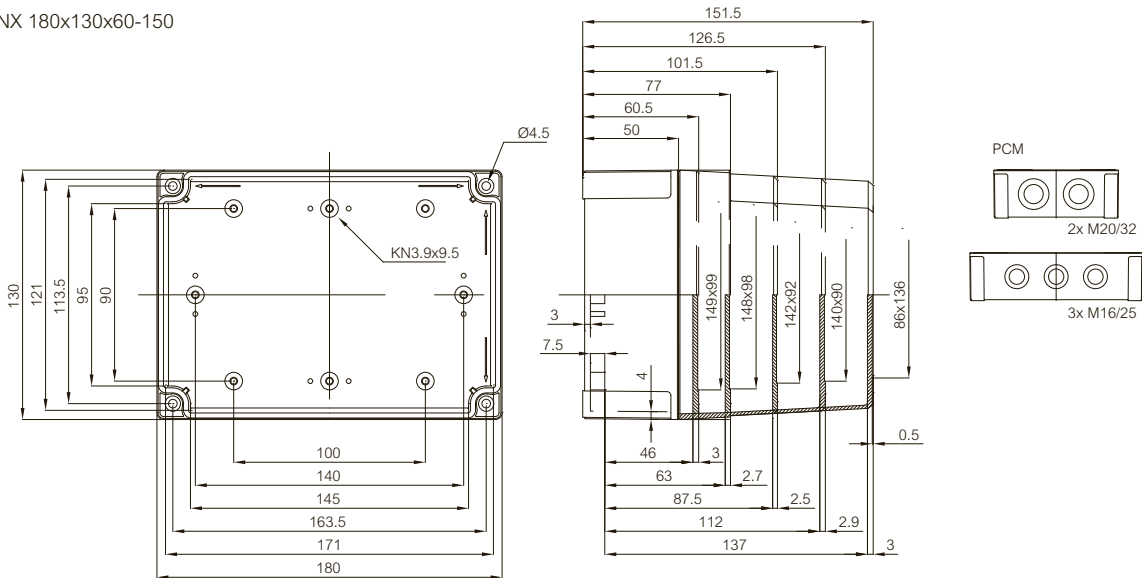
MNX 130x130x60-125



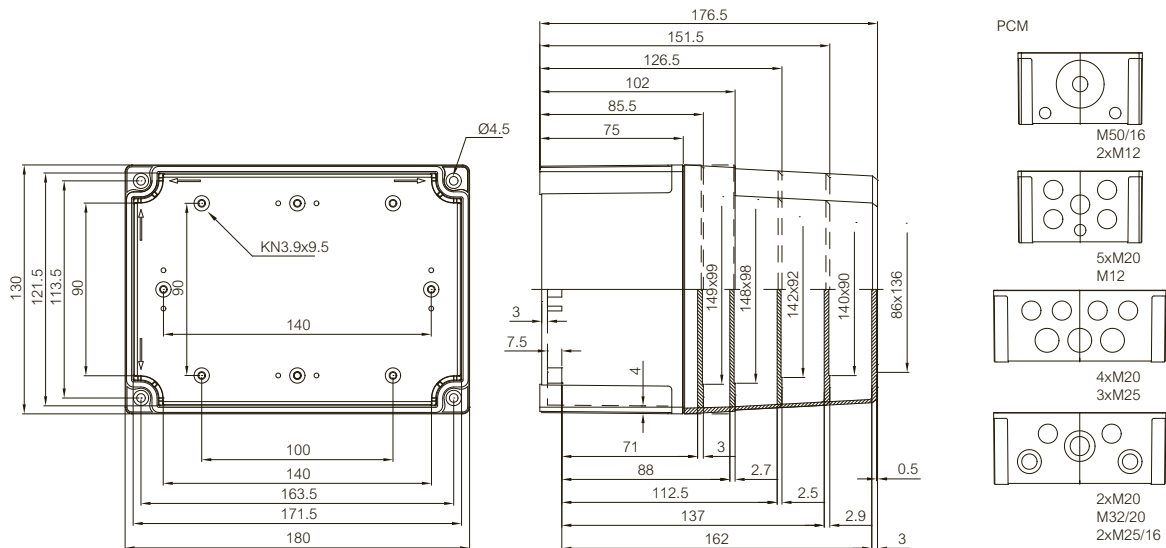
MNX 180x130x35-125



MNX 180x130x60-150

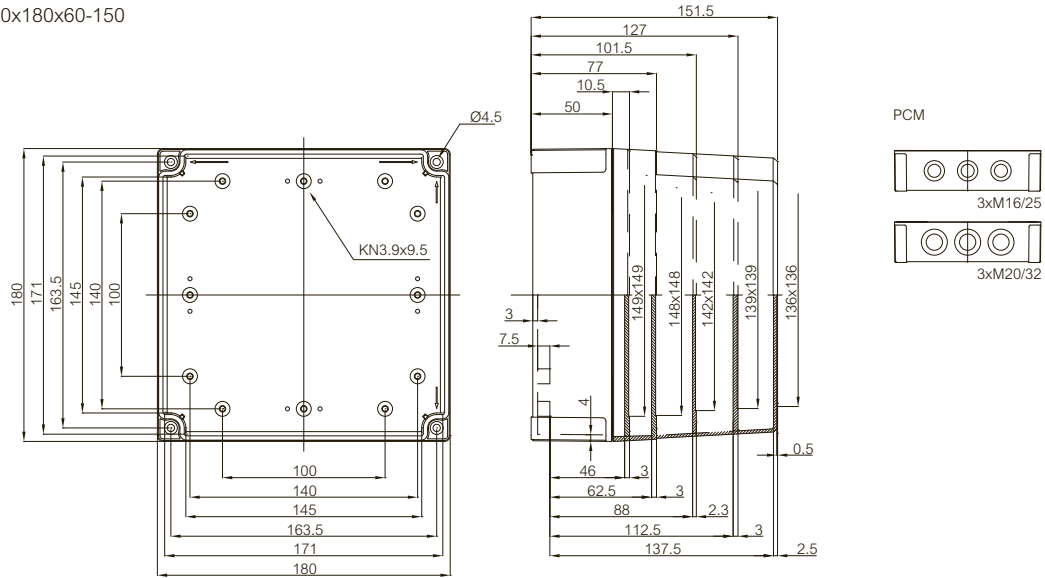


MNX 180x130x85-175

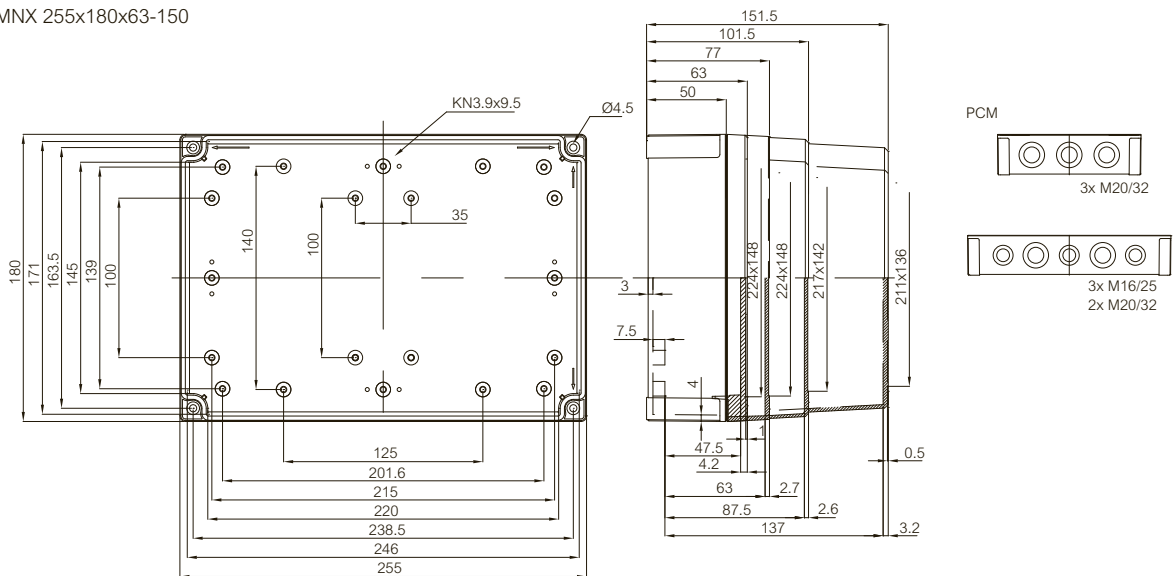


## Dimensional drawings

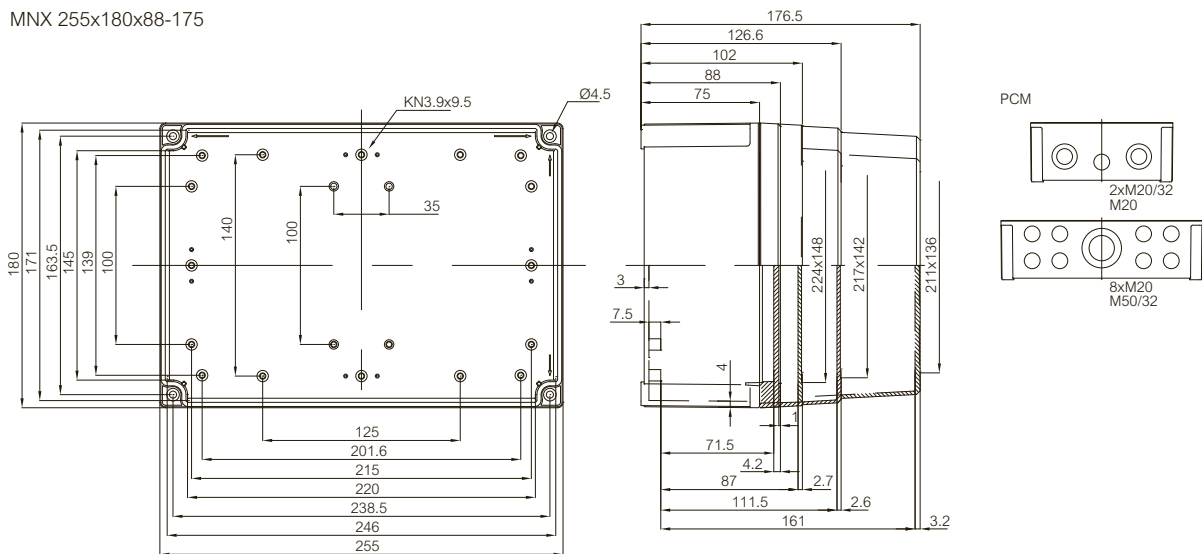
MNX 180x180x60-150



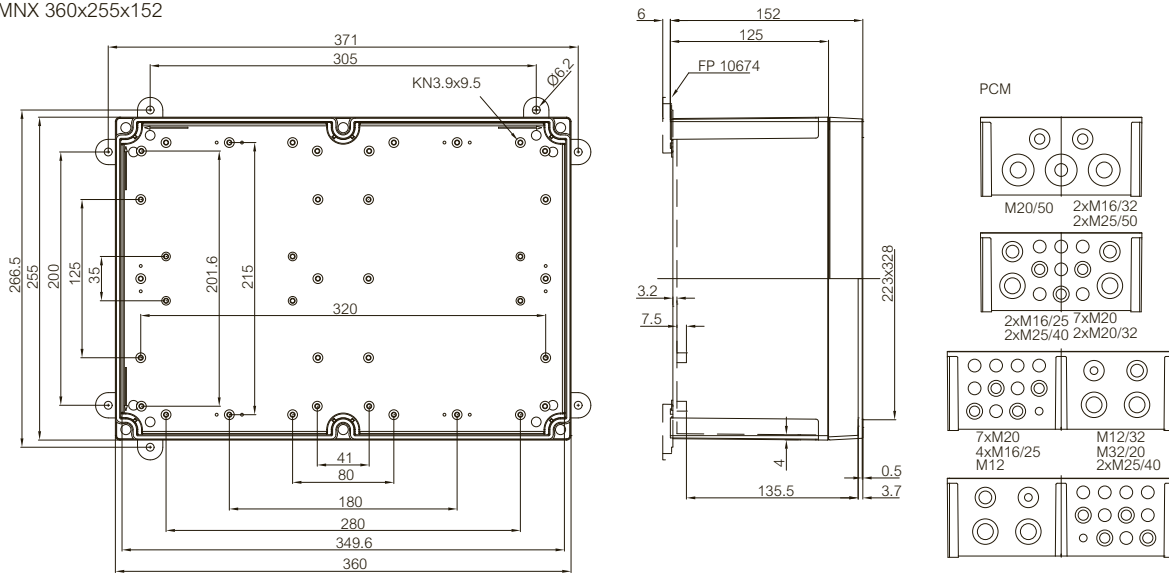
MNX 255x180x63-150



MNX 255x180x88-175



MNX 360x255x152





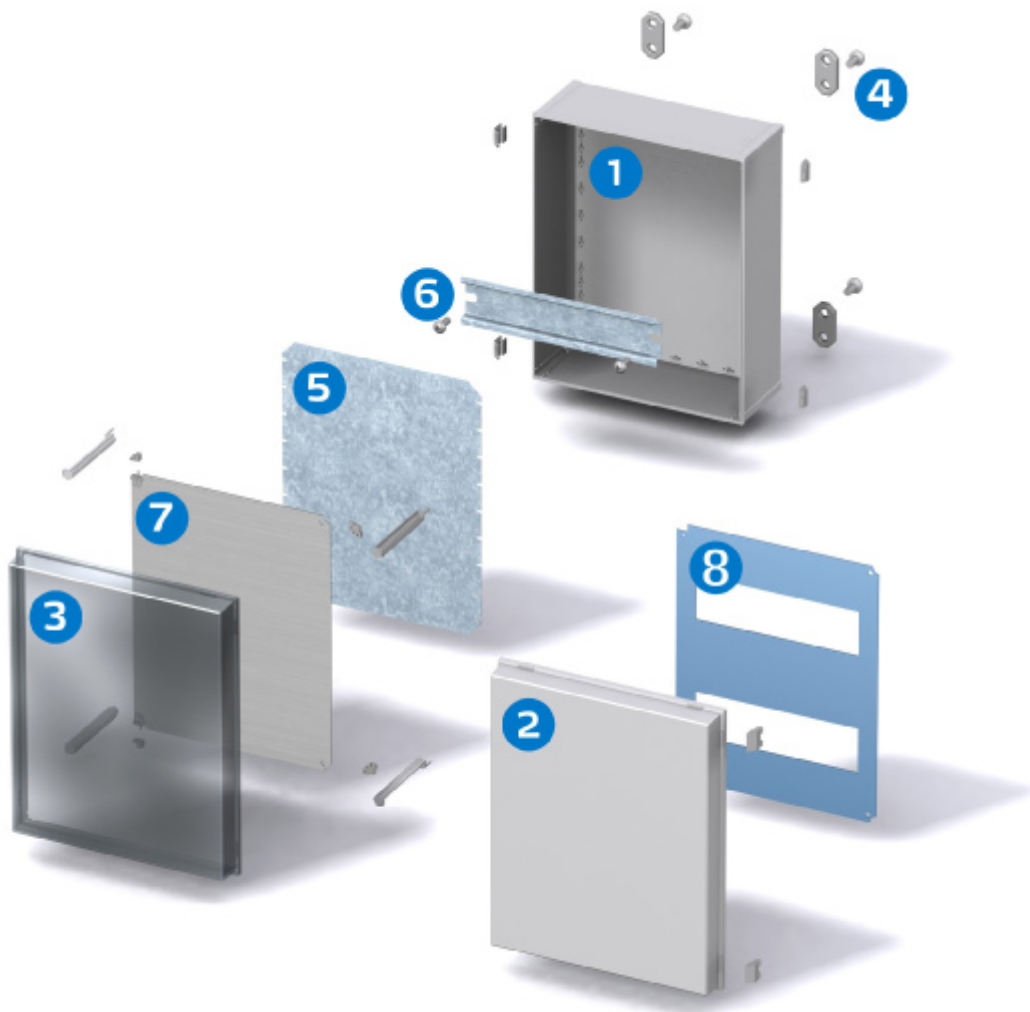




## Withstands sudden impacts

If you need major impact resistance, then CAB may be the enclosure for you. Think of the harshest and most demanding environments – CAB will not let you down. It will resist weathering and take the knocks better than steel. A wide selection is available.

Impact-resistant material.



## Enclosure

- 1 Enclosure base
- 2 Cover, grey incl. PUR gasket
- 3 Cover, transparent  
Hinges on the long/short side

## Accessories

- 4 Fastening lugs, 4 pcs. incl. screws  
Hinge set for CAB/Quick, corner plug
- 5 Mounting plate, electro-galvanised steel
- 6 DIN rail TS 35
- 7 Pivotal front plate, aluminium with mounting kit
- 8 Front plate has flexible opening and depth mounting options.

# CAB PC/ABS

Including: Cabinet base, door with PUR gasket, latches, screws for mounting plate/DIN-rail and corner plugs.

PC: IP65, IK08  
ABS: IP65, IK08

| Dimensions                                                                          | Order Symbol      | Code    | EAN Code                                                                                                | Description                                                       |
|-------------------------------------------------------------------------------------|-------------------|---------|---------------------------------------------------------------------------------------------------------|-------------------------------------------------------------------|
| <b>150x150x110 mm</b>                                                               |                   |         |                                                                                                         |                                                                   |
|    | CAB PC 151511 G   | 8113320 | <br>6 418074 057891   | Cabinet, PC, Grey door<br>Latch on the short side                 |
|                                                                                     | CAB PC 151511 T   | 8113020 | <br>6 418074 057907   | Cabinet, PC, Smoked transparent door<br>Latch on the short side   |
|                                                                                     | CAB ABS 151511 G  | 8183320 | <br>6 418074 057914   | Cabinet, ABS, Grey door<br>Latch on the short side                |
|                                                                                     | CAB ABS 151511 T  | 8183020 | <br>6 418074 057921   | Cabinet, ABS, Smoked transparent door<br>Latch on the short side  |
| <b>250x150x110 mm</b>                                                               |                   |         |                                                                                                         |                                                                   |
|   | CAB PC 251511 G   | 8113325 | <br>6 418074 048950   | Cabinet, PC, Grey door<br>Latches on the long side                |
|                                                                                     | CAB PC 251511 T   | 8113025 | <br>6 418074 048974 | Cabinet, PC, Smoked transparent door<br>Latches on the long side  |
|                                                                                     | CAB ABS 251511 G  | 8183325 | <br>6 418074 048998 | Cabinet, ABS, Grey door<br>Latches on the long side               |
|                                                                                     | CAB ABS 251511 T  | 8183025 | <br>6 418074 049018 | Cabinet, ABS, Smoked transparent door<br>Latches on the long side |
| <b>300x200x180 mm</b>                                                               |                   |         |                                                                                                         |                                                                   |
|  | CAB PC 203018 G   | 8113331 | <br>6 418074 020024 | Cabinet, PC, Grey door<br>Latch on the short side                 |
|                                                                                     | CAB PC 203018 T   | 8113031 | <br>6 418074 020031 | Cabinet, PC, Smoked transparent door<br>Latch on the short side   |
|                                                                                     | CAB PC 203018 G3B | 8113334 | <br>6 418074 012586 | Cabinet, PC, Grey door<br>Lock on the short side                  |
|                                                                                     | CAB PC 203018 T3B | 8113036 | <br>6 418074 012548 | Cabinet, PC, Smoked transparent door<br>Lock on the short side    |
|                                                                                     | CAB PC 302018 G   | 8113330 | <br>6 418074 020000 | Cabinet, PC, Grey door<br>Latches on the long side                |
|                                                                                     | CAB PC 302018 T   | 8113030 | <br>6 418074 020017 | Cabinet, PC, Smoked transparent door<br>Latches on the long side  |

| Dimensions                                                                          | Order Symbol       | Code    | EAN Code                                                                                                | Description                                                       |
|-------------------------------------------------------------------------------------|--------------------|---------|---------------------------------------------------------------------------------------------------------|-------------------------------------------------------------------|
|                                                                                     | CAB PC 302018 G3B  | 8113332 | <br>6 418074 020048   | Cabinet, PC, Grey door<br>Lock on the long side                   |
|                                                                                     | CAB PC 302018 T3B  | 8113032 | <br>6 418074 020055   | Cabinet, PC, Smoked transparent door<br>Lock on the long side     |
|                                                                                     | CAB ABS 203018 G   | 8183331 | <br>6 418074 020086   | Cabinet, ABS, Grey door<br>Latch on the short side                |
|                                                                                     | CAB ABS 203018 T   | 8183031 | <br>6 418074 020093   | Cabinet, ABS, Smoked transparent door<br>Latch on the short side  |
|                                                                                     | CAB ABS 203018 G3B | 8183334 | <br>6 418074 012791   | Cabinet, ABS, Grey door<br>Lock on the short side                 |
|                                                                                     | CAB ABS 203018 T3B | 8183034 | <br>6 418074 012753  | Cabinet, ABS, Smoked transparent door<br>Lock on the short side   |
|                                                                                     | CAB ABS 302018 G   | 8183330 | <br>6 418074 020062 | Cabinet, ABS, Grey door<br>Latches on the long side               |
|                                                                                     | CAB ABS 302018 T   | 8183030 | <br>6 418074 020079 | Cabinet, ABS, Smoked transparent door<br>Latches on the long side |
|                                                                                     | CAB ABS 302018 G3B | 8183332 | <br>6 418074 020109 | Cabinet, ABS, Grey door<br>Lock on the long side                  |
|                                                                                     | CAB ABS 302018 T3B | 8183032 | <br>6 418074 020116 | Cabinet, ABS, Smoked transparent door<br>Lock on the long side    |
| <b>300x300x180 mm</b>                                                               |                    |         |                                                                                                         |                                                                   |
|  | CAB PC 303018 G    | 8113340 | <br>6 418074 020123 | Cabinet, PC, Grey door<br>Latches on the long side                |
|                                                                                     | CAB PC 303018 T    | 8113040 | <br>6 418074 020130 | Cabinet, PC, Smoked transparent door<br>Latches on the long side  |
|                                                                                     | CAB PC 303018 G3B  | 8113342 | <br>6 418074 020147 | Cabinet, PC, Grey door<br>Lock on the long side                   |
|                                                                                     | CAB PC 303018 T3B  | 8113042 | <br>6 418074 020154 | Cabinet, PC, Smoked transparent door<br>Lock on the long side     |
|                                                                                     | CAB ABS 303018 G   | 8183340 | <br>6 418074 020161 | Cabinet, ABS, Grey door<br>Latches on the long side               |

# CAB PC/ABS

Including: Cabinet base, door with PUR gasket, latches, screws for mounting plate/DIN-rail and corner plugs.

PC: IP65, IK08  
ABS: IP65, IK08

| Dimensions                                                                          | Order Symbol       | Code    | EAN Code                                                                                             | Description                                                        |
|-------------------------------------------------------------------------------------|--------------------|---------|------------------------------------------------------------------------------------------------------|--------------------------------------------------------------------|
|                                                                                     | CAB ABS 303018 T   | 8183040 |  6 418074 020178   | Cabinet, ABS, Smoked transparent door<br>Latches on the long side  |
|                                                                                     | CAB ABS 303018 G3B | 8183342 |  6 418074 020185   | Cabinet, ABS, Grey door<br>Lock on the long side                   |
|                                                                                     | CAB ABS 303018 T3B | 8183042 |  6 418074 020192   | Cabinet, ABS, Smoked transparent door<br>Lock on the long side     |
| <b>350x250x150 mm</b>                                                               |                    |         |                                                                                                      |                                                                    |
|   | CAB PC 352515 G    | 8113335 |  6 418074 049032   | Cabinet, PC, Grey door<br>Latches on the long side                 |
|                                                                                     | CAB PC 253515 G    | 8113336 |  6 418074 049049   | Cabinet, PC, Grey door<br>Latch on the short side                  |
|                                                                                     | CAB PC 352515 T    | 8113035 |  6 418074 049056  | Cabinet, PC, Smoked transparent door<br>Latches on the long side   |
|                                                                                     | CAB PC 253515 T    | 8113037 |  6 418074 049063 | Cabinet, PC, Smoked transparent door<br>Latch on the short side    |
|                                                                                     | CAB ABS 352515 G   | 8183335 |  6 418074 049070 | Cabinet, ABS, Grey door<br>Latches on the long side                |
|                                                                                     | CAB ABS 253515 G   | 8183336 |  6 418074 049087 | Cabinet, ABS, Grey door<br>Latches on the short side               |
|                                                                                     | CAB ABS 352515 T   | 8183035 |  6 418074 049094 | Cabinet, ABS, Smoked transparent door<br>Latches on the long side  |
|                                                                                     | CAB ABS 253515 T   | 8183036 |  6 418074 049100 | Cabinet, ABS, Smoked transparent door<br>Latches on the short side |
| <b>400x300x160 mm</b>                                                               |                    |         |                                                                                                      |                                                                    |
|  | CAB ABS 403016 G   | 8183345 |  6 418074 049193 | Cabinet, ABS, Grey door<br>Latches on the long side                |
|                                                                                     | CAB ABS 304016 G   | 8183346 |  6 418074 049209 | Cabinet, ABS, Grey door<br>Latches on the short side               |



| Dimensions                                                                        | Order Symbol       | Code    | EAN Code                                                                                                | Description                                                        |
|-----------------------------------------------------------------------------------|--------------------|---------|---------------------------------------------------------------------------------------------------------|--------------------------------------------------------------------|
| <b>400x300x180 mm</b>                                                             |                    |         |                                                                                                         |                                                                    |
|  | CAB PC 304018 G    | 8113351 | <br>6 418074 020222   | Cabinet, PC, Grey door<br>Latches on the short side                |
|                                                                                   | CAB PC 304018 T    | 8113051 | <br>6 418074 020239   | Cabinet, PC, Smoked transparent door<br>Latches on the short side  |
|                                                                                   | CAB PC 304018 G3B  | 8113354 | <br>6 418074 012593   | Cabinet, PC, Grey door<br>Locks on the short side                  |
|                                                                                   | CAB PC 304018 T3B  | 8113054 | <br>6 418074 012555   | Cabinet, PC, Smoked transparent door<br>Locks on the short side    |
|                                                                                   | CAB PC 403018 G    | 8113350 | <br>6 418074 020208   | Cabinet, PC, Grey door<br>Latches on the long side                 |
|                                                                                   | CAB PC 403018 T    | 8113050 | <br>6 418074 020215  | Cabinet, PC, Smoked transparent door<br>Latches on the long side   |
|                                                                                   | CAB PC 403018 G3B  | 8113352 | <br>6 418074 020246 | Cabinet, PC, Grey door<br>Locks on the long side                   |
|                                                                                   | CAB PC 403018 T3B  | 8113052 | <br>6 418074 020253 | Cabinet, PC, Smoked transparent door<br>Locks on the long side     |
|                                                                                   | CAB ABS 304018 G   | 8183351 | <br>6 418074 020284 | Cabinet, ABS, Grey door<br>Latches on the short side               |
|                                                                                   | CAB ABS 304018 T   | 8183051 | <br>6 418074 020291 | Cabinet, ABS, Smoked transparent door<br>Latches on the short side |
|                                                                                   | CAB ABS 403018 G   | 8183350 | <br>6 418074 020260 | Cabinet, ABS, Grey door<br>Latches on the long side                |
|                                                                                   | CAB ABS 403018 T   | 8183050 | <br>6 418074 020277 | Cabinet, ABS, Smoked transparent door<br>Latches on the long side  |
|                                                                                   | CAB ABS 304018 G3B | 8183354 | <br>6 418074 012937 | Cabinet, ABS, Grey door<br>Locks on the short side                 |
|                                                                                   | CAB ABS 304018 T3B | 8183054 | <br>6 418074 012760 | Cabinet, ABS, Smoked transparent door<br>Locks on the short side   |
|                                                                                   | CAB ABS 403018 G3B | 8183352 | <br>6 418074 020307 | Cabinet, ABS, Grey door<br>Locks on the long side                  |
|                                                                                   | CAB ABS 403018 T3B | 8183052 | <br>6 418074 020314 | Cabinet, ABS, Smoked transparent door<br>Locks on the long side    |

# CAB PC/ABS

Including: Cabinet base, door with PUR gasket, latches, screws for mounting plate/DIN-rail and corner plugs.

PC: IP65, IK08  
ABS: IP65, IK08

| Dimensions                                                                          | Order Symbol      | Code    | EAN Code                                                                                                | Description                                                        |
|-------------------------------------------------------------------------------------|-------------------|---------|---------------------------------------------------------------------------------------------------------|--------------------------------------------------------------------|
| <b>450x350x160 mm</b>                                                               |                   |         |                                                                                                         |                                                                    |
|    | CAB PC 453516 G   | 8113355 | <br>6 418074 049117   | Cabinet, PC, Grey door<br>Latches on the long side                 |
|                                                                                     | CAB PC 354516 G   | 8113356 | <br>6 418074 049124   | Cabinet, PC, Grey door<br>Latches on the short side                |
|                                                                                     | CAB PC 453516 T   | 8113055 | <br>6 418074 049131   | Cabinet, PC, Smoked transparent door<br>Latches on the long side   |
|                                                                                     | CAB PC 354516 T   | 8113056 | <br>6 418074 049148   | Cabinet, PC, Smoked transparent door<br>Latches on the short side  |
|                                                                                     | CAB ABS 453516 G  | 8183355 | <br>6 418074 049155   | Cabinet, ABS, Grey door<br>Latches on the long side                |
|                                                                                     | CAB ABS 354516 G  | 8183356 | <br>6 418074 049162  | Cabinet, ABS, Grey door<br>Latches on the short side               |
|                                                                                     | CAB ABS 453516 T  | 8183055 | <br>6 418074 049179 | Cabinet, ABS, Smoked transparent door<br>Latches on the long side  |
|                                                                                     | CAB ABS 354516 T  | 8183056 | <br>6 418074 049186 | Cabinet, ABS, Smoked transparent door<br>Latches on the short side |
| <b>500x400x200 mm</b>                                                               |                   |         |                                                                                                         |                                                                    |
|  | CAB PC 405020 G   | 8113361 | <br>6 418074 020345 | Cabinet, PC, Grey door<br>Latches on the short side                |
|                                                                                     | CAB PC 405020 T   | 8113061 | <br>6 418074 020352 | Cabinet, PC, Smoked transparent door<br>Latches on the short side  |
|                                                                                     | CAB PC 405020 G3B | 8113364 | <br>6 418074 012746 | Cabinet, PC, Grey door<br>Locks on the short side                  |
|                                                                                     | CAB PC 405020 T3B | 8113064 | <br>6 418074 008688 | Cabinet, PC, Smoked transparent door<br>Locks on the short side    |
|                                                                                     | CAB PC 504020 G   | 8113360 | <br>6 418074 020321 | Cabinet, PC, Grey door<br>Latches on the long side                 |
|                                                                                     | CAB PC 504020 T   | 8113060 | <br>6 418074 020338 | Cabinet, PC, Smoked transparent door<br>Latches on the long side   |


| Dimensions                                                                          | Order Symbol       | Code    | EAN Code                                                                                                | Description                                                        |
|-------------------------------------------------------------------------------------|--------------------|---------|---------------------------------------------------------------------------------------------------------|--------------------------------------------------------------------|
|                                                                                     | CAB PC 504020 G3B  | 8113362 | <br>6 418074 020369   | Cabinet, PC, Grey door<br>Locks on the long side                   |
|                                                                                     | CAB PC 504020 T3B  | 8113062 | <br>6 418074 020376   | Cabinet, PC, Smoked transparent door<br>Locks on the long side     |
|                                                                                     | CAB ABS 405020 G   | 8183361 | <br>6 418074 020406   | Cabinet, ABS, Grey door<br>Latches on the short side               |
|                                                                                     | CAB ABS 405020 T   | 8183061 | <br>6 418074 020413   | Cabinet, ABS, Smoked transparent door<br>Latches on the short side |
|                                                                                     | CAB ABS 405020 G3B | 8183366 | <br>6 418074 012944   | Cabinet, ABS, Grey door<br>Locks on the short side                 |
|                                                                                     | CAB ABS 405020 T3B | 8183066 | <br>6 418074 012777  | Cabinet, ABS, Smoked transparent door<br>Locks on the short side   |
|                                                                                     | CAB ABS 504020 G   | 8183360 | <br>6 418074 020383 | Cabinet, ABS, Grey door<br>Latches on the long side                |
|                                                                                     | CAB ABS 504020 T   | 8183060 | <br>6 418074 020390 | Cabinet, ABS, Smoked transparent door<br>Latches on the long side  |
|                                                                                     | CAB ABS 504020 G3B | 8183362 | <br>6 418074 020420 | Cabinet, ABS, Grey door<br>Locks on the long side                  |
|                                                                                     | CAB ABS 504020 T3B | 8183062 | <br>6 418074 020437 | Cabinet, ABS, Smoked transparent door<br>Locks on the long side    |
| <b>600x400x220 mm</b>                                                               |                    |         |                                                                                                         |                                                                    |
|  | CAB PC 604022 G    | 8113370 | <br>6 418074 020444 | Cabinet, PC, Grey door<br>Latches on the long side                 |
|                                                                                     | CAB PC 604022 T    | 8113070 | <br>6 418074 020451 | Cabinet, PC, Smoked transparent door<br>Latches on the long side   |
|                                                                                     | CAB PC 604022 G3B  | 8113372 | <br>6 418074 020468 | Cabinet, PC, Grey door<br>Locks on the long side                   |
|                                                                                     | CAB PC 604022 T3B  | 8113072 | <br>6 418074 020475 | Cabinet, PC, Smoked transparent door<br>Locks on the long side     |
|                                                                                     | CAB ABS 604022 G   | 8183370 | <br>6 418074 020482 | Cabinet, ABS, Grey door<br>Latches on the long side                |

# CAB PC/ABS



Including: Cabinet base, door with PUR gasket, latches, screws for mounting plate/DIN-rail and corner plugs.

PC: IP65, IK08

ABS: IP65, IK08

| Dimensions | Order Symbol       | Code    | EAN Code                                                                                              | Description                                                       |
|------------|--------------------|---------|-------------------------------------------------------------------------------------------------------|-------------------------------------------------------------------|
|            | CAB ABS 604022 T   | 8183070 | <br>6 418074 020499 | Cabinet, ABS, Smoked transparent door<br>Latches on the long side |
|            | CAB ABS 604022 G3B | 8183372 | <br>6 418074 020505 | Cabinet, ABS, Grey door<br>Locks on the long side                 |
|            | CAB ABS 604022 T3B | 8183072 | <br>6 418074 020512 | Cabinet, ABS, Smoked transparent door<br>Locks on the long side   |














## CAB PC/ABS technical information

| Property                                             | Polycarbonate (PC)                                                                                    | ABS                                                                                                   | Conformity to standards                                                                                                                                                                                                                                                                                                                                                                                                                                                                                                                                                                                                                 |
|------------------------------------------------------|-------------------------------------------------------------------------------------------------------|-------------------------------------------------------------------------------------------------------|-----------------------------------------------------------------------------------------------------------------------------------------------------------------------------------------------------------------------------------------------------------------------------------------------------------------------------------------------------------------------------------------------------------------------------------------------------------------------------------------------------------------------------------------------------------------------------------------------------------------------------------------|
| Ingress Protection (EN 60529)                        | IP 65                                                                                                 | IP 65                                                                                                 | <b>USA</b> Enclosures for Electrical Equipment<br>PC: UL Type 1, 4, 4X, 12 or 13; UL File E75645 Vol 1 Sec 6; UL 746C-5VA flame test (UL 50/508)*<br>P: NEMA 1, 3, 3S, 4, 4X, 12 or 13<br>ABS: NEMA 1, 4, 4X, 12 or 13<br><br><b>Canada</b> Industrial Control Equipment<br>Enclosures for Electrical Equipment/ULc*<br><br><b>Europe</b> Empty enclosures for low-voltage switchgear and controlgear assemblies EN 62208:2003<br><b>Europe</b> Safety of Information Technology Equipment EN 60950<br><b>RoHS</b> directive 2002/95/EC<br><br><b>Russia</b> GostR - Gost Russian certificate of conformity<br><br>*UL label on request |
| Impact Resistance (EN 62262)                         | IK 08                                                                                                 | IK 08                                                                                                 |                                                                                                                                                                                                                                                                                                                                                                                                                                                                                                                                                                                                                                         |
| Temperature Range Celsius (short term)               | -40°...120°C                                                                                          | -40°...80°C                                                                                           |                                                                                                                                                                                                                                                                                                                                                                                                                                                                                                                                                                                                                                         |
| Temperature Range Celsius (continuous)               | -40°...80°C                                                                                           | -40°...60°C                                                                                           |                                                                                                                                                                                                                                                                                                                                                                                                                                                                                                                                                                                                                                         |
| Temperature Range Fahrenheit (short term)            | -40°...250°F                                                                                          | -40°...175°F                                                                                          |                                                                                                                                                                                                                                                                                                                                                                                                                                                                                                                                                                                                                                         |
| Temperature Range Fahrenheit (continuous)            | -40°...175°F                                                                                          | -40°...140°F                                                                                          |                                                                                                                                                                                                                                                                                                                                                                                                                                                                                                                                                                                                                                         |
| Electrical Insulation                                | Totally insulated  | Totally insulated  |                                                                                                                                                                                                                                                                                                                                                                                                                                                                                                                                                                                                                                         |
| Light Grey Parts Colour                              | RAL 7035<br>Industry Grey                                                                             | RAL 7035<br>Industry Grey                                                                             |                                                                                                                                                                                                                                                                                                                                                                                                                                                                                                                                                                                                                                         |
| Transparent Clear PC Cover                           | Smoked Grey                                                                                           | Smoked Grey                                                                                           |                                                                                                                                                                                                                                                                                                                                                                                                                                                                                                                                                                                                                                         |
| Hinges and Latches (PC)                              | RAL 7035                                                                                              | RAL 5023                                                                                              |                                                                                                                                                                                                                                                                                                                                                                                                                                                                                                                                                                                                                                         |
| Gasket                                               | PUR/EPDM                                                                                              | PUR/EPDM                                                                                              |                                                                                                                                                                                                                                                                                                                                                                                                                                                                                                                                                                                                                                         |
| Enclosure Flammability Rating                        | UL 746C 5V*                                                                                           |                                                                                                       |                                                                                                                                                                                                                                                                                                                                                                                                                                                                                                                                                                                                                                         |
| Glow Wire Test (IEC 695-2-1) Self-extinguishing (PC) | 960°C                                                                                                 | 650°C                                                                                                 |                                                                                                                                                                                                                                                                                                                                                                                                                                                                                                                                                                                                                                         |
| Non-toxicity                                         | Halogen Free                                                                                          | Halogen Free                                                                                          |                                                                                                                                                                                                                                                                                                                                                                                                                                                                                                                                                                                                                                         |
| UV resistance                                        | UL 508<br>720 hours in "Weatherometer"                                                                |                                                                                                       |                                                                                                                                                                                                                                                                                                                                                                                                                                                                                                                                                                                                                                         |
| Chemical Resistance **                               | Good                                                                                                  | Good                                                                                                  |                                                                                                                                                                                                                                                                                                                                                                                                                                                                                                                                                                                                                                         |

Data subject to change without notice.

\*\* Consult separate raw material data for more detailed information



|                                                                                   | Order symbol | Code    | Dimensions | EAN code                                                                                                | Description                                                                 |
|-----------------------------------------------------------------------------------|--------------|---------|------------|---------------------------------------------------------------------------------------------------------|-----------------------------------------------------------------------------|
| <b>Mounting plates (Galvanized steel, sheet thickness 1,5 mm)</b>                 |              |         |            |                                                                                                         |                                                                             |
|  | EKIV 15      | 4712462 | 125x125    | <br>6 418074 057938   | Mounting plate, for enclosures:<br>150x150x110                              |
|                                                                                   | EKIV 23      | 4712117 | 270x170    | <br>6 418074 032713   | Mounting plate, for enclosures:<br>300x200x170, 300x200x180                 |
|                                                                                   | EKIV 2515    | 4712122 | 208x125    | <br>6 418074 049216   | Mounting plate, for enclosures:<br>250x150x110                              |
|                                                                                   | EKIV 33      | 4712118 | 270x270    | <br>6 418074 032720   | Mounting plate, for enclosures:<br>300x300x170, 300x300x180,<br>600x300x170 |
|                                                                                   | EKIV 3525    | 4712125 | 320x220    | <br>6 418074 049230   | Mounting plate, for enclosures:<br>350x250x150                              |
|                                                                                   | EKIV 43      | 4712119 | 270x370    | <br>6 418074 032737  | Mounting plate, for enclosures:<br>400x300x170, 400x300x230,<br>400x300x180 |
|                                                                                   | EKIV 4535    | 4712139 | 425x320    | <br>6 418074 049254 | Mounting plate, for enclosures:<br>450x350x160                              |
|                                                                                   | EKIV 54      | 8392230 | 370x470    | <br>6 418074 021557 | Mounting plate, for enclosures:<br>500x400x200                              |
|                                                                                   | EKIV 64H     | 4712300 | 370x570    | <br>6 418074 034991 | Mounting plate, for enclosures:<br>600x400x210, 600x400x270,<br>600x400x220 |
| <b>Mounting plates (Plastic)</b>                                                  |              |         |            |                                                                                                         |                                                                             |
|                                                                                   | EKIV 2515 PL | 4712222 | 208x125    | <br>6 418074 049223 | Mounting plate, plastic, for<br>enclosures:<br>250x150x110                  |
|                                                                                   | EKIV 3525 PL | 4712225 | 320x220    | <br>6 418074 049247 | Mounting plate, plastic, for<br>enclosures:<br>350x250x150                  |
|                                                                                   | EKIV 43 PL   | 4712239 | 370x270    | <br>6 418074 049261 | Mounting plate, plastic, for<br>enclosures:<br>450x350x160                  |

|                                                                                     | Order symbol | Code    | Dimensions | EAN code                                                                                                | Description                                                                                                                                              |
|-------------------------------------------------------------------------------------|--------------|---------|------------|---------------------------------------------------------------------------------------------------------|----------------------------------------------------------------------------------------------------------------------------------------------------------|
| <b>DIN-35 Mounting rails (Galvanized steel, rail height 7,5 mm)</b>                 |              |         |            |                                                                                                         |                                                                                                                                                          |
|    | TRH 15       | 9822021 | 122x35     | <br>6 418074 059680   | DIN-35 Mounting rail, for enclosures:<br>340x150x101, 340x150x121                                                                                        |
|                                                                                     | EKIV 17      | 4712126 | 166x35     | <br>6 418074 032768   | DIN-35 Mounting rail, for enclosures:<br>300x200x170, 300x200x180                                                                                        |
|                                                                                     | EKIV 27      | 4712127 | 266x35     | <br>6 418074 032775   | DIN-35 Mounting rail, for enclosures:<br>300x200x170-400x300x230,<br>300x200x180-400x300x180                                                             |
|                                                                                     | EKIV 37      | 4712128 | 366x35     | <br>6 418074 032782   | DIN-35 Mounting rail, for enclosures:<br>400x300x170, 400x300x230,<br>400x400x170, 600x400x210,<br>600x400x270, 400x300x180,<br>500x400x200, 600x400x220 |
|                                                                                     | EKIV 47      | 8392231 | 466x35     | <br>6 418074 021670  | DIN-35 Mounting rail, for enclosures:<br>500x400x200                                                                                                     |
| <b>Front plates (Aluminium, sheet thickness 1,5 mm)</b>                             |              |         |            |                                                                                                         |                                                                                                                                                          |
|  | FP A 23      | 8392226 | 268x166    | <br>6 418074 021564 | Swing-out door/Front plate (aluminium), for enclosures:<br>300x200x170, 300x200x180                                                                      |
|                                                                                     | FP A 33      | 8392227 | 268x266    | <br>6 418074 021571 | Swing-out door/Front plate (aluminium), for enclosures:<br>300x300x170, 300x300x180                                                                      |
|                                                                                     | FP A 43      | 8392224 | 368x266    | <br>6 418074 021588 | Swing-out door/Front plate (aluminium), for enclosures:<br>400x300x170, 400x300x230,<br>400x300x180                                                      |
|                                                                                     | FP A 54      | 8392228 | 366x468    | <br>6 418074 021595 | Swing-out door/Front plate (aluminium), for enclosures:<br>500x400x200                                                                                   |
|                                                                                     | FP A 64      | 8392229 | 366x568    | <br>6 418074 021601 | Swing-out door/Front plate (aluminium), for enclosures:<br>600x400x210, 600x400x270,<br>600x400x220                                                      |

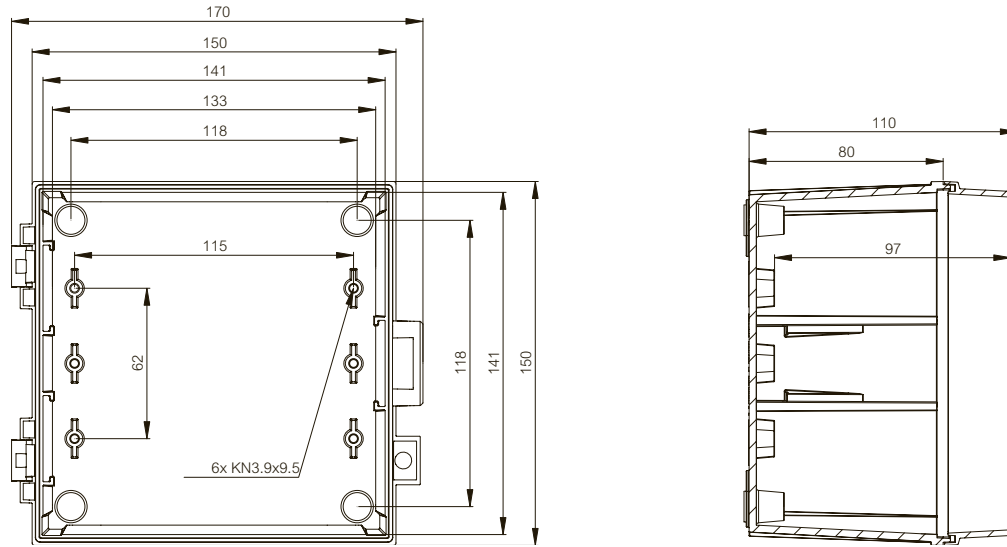
|                                                                                    | Order symbol | Code    | Dimensions | EAN code                                                                                                | Description                                                              |
|------------------------------------------------------------------------------------|--------------|---------|------------|---------------------------------------------------------------------------------------------------------|--------------------------------------------------------------------------|
| <b>Swing door sets</b>                                                             |              |         |            |                                                                                                         |                                                                          |
|   | MB 12225 AL  | 8390007 |            | <br>6 418074 033116   | Swing door set<br>for aluminium front plates                             |
|                                                                                    | MB 12225     | 8390001 |            | <br>6 418074 021540   | Swing door set<br>for plastic front plates                               |
| <b>Front plates with module openings</b>                                           |              |         |            |                                                                                                         |                                                                          |
|  | FP 12-23     | 8392218 | 278x178    | <br>6 418074 021618   | Front plate, for enclosures:<br>300x200x170, 300x200x180                 |
|                                                                                    | FP 12-33     | 8392219 | 278x278    | <br>6 418074 021625  | Front plate, for enclosures:<br>300x300x170, 300x300x180                 |
|                                                                                    | FP 12x2-33   | 8392220 | 278x278    | <br>6 418074 021632 | Front plate, for enclosures:<br>300x300x170, 300x300x180                 |
|                                                                                    | FP 12x2-43   | 8392222 | 278x378    | <br>6 418074 021649 | Front plate, for enclosures:<br>400x300x170, 400x300x230,<br>400x300x180 |
|                                                                                    | FP 12x3-43   | 8392221 | 278x378    | <br>6 418074 021663 | Front plate, for enclosures:<br>400x300x170, 400x300x230,<br>400x300x180 |
|                                                                                    | FP 18x2-54   | 8392188 | 478x378    | <br>6 418074 035936 | Front plate, for enclosures:<br>500x400x200                              |
|                                                                                    | FP 18x3-64   | 8392232 | 378x578    | <br>6 418074 035943 | Front plate, for enclosures:<br>600x400x210, 600x400x270,<br>600x400x220 |
| <b>DIN rail supports</b>                                                           |              |         |            |                                                                                                         |                                                                          |
|                                                                                    | FP 12190     | 4512190 |            | <br>6 418074 032478 | DIN rail support                                                         |
|                                                                                    | FP 12190SET  | 4712190 |            | <br>6 418074 032904 | DIN rail support set                                                     |

|                                                                                     | Order symbol | Code    | Dimensions | EAN code                                                                                                | Description                                 |
|-------------------------------------------------------------------------------------|--------------|---------|------------|---------------------------------------------------------------------------------------------------------|---------------------------------------------|
| <b>Formed front plates</b>                                                          |              |         |            |                                                                                                         |                                             |
|    | FP 23        | 8392285 | 176x268    | <br>6 418074 033048   | Front plate, for enclosures:<br>300x200x180 |
|                                                                                     | FP 33        | 8392305 | 268x276    | <br>6 418074 033055   | Front plate, for enclosures:<br>300x300x180 |
|                                                                                     | FP 43        | 8392306 | 268x376    | <br>6 418074 035950   | Front plate, for enclosures:<br>400x300x180 |
|                                                                                     | FP 54        | 8392317 | 368x476    | <br>6 418074 035967   | Front plate, for enclosures:<br>500x400x200 |
|                                                                                     | FP 64        | 8392319 | 368x576    | <br>6 418074 035974   | Front plate, for enclosures:<br>600x400x220 |
| <b>Hinges and wall mounting</b>                                                     |              |         |            |                                                                                                         |                                             |
|  | MB CH SET    | 8390003 |            | <br>6 418074 035011 | Hinge set<br>for CAB/Quick                  |
|                                                                                     | FP 12017     | 4712045 |            | <br>6 418074 032560 | Wall fastening lug (4 pcs)                  |
|                                                                                     | SP 12087     | 4712087 |            | <br>6 418074 032621 | Corner plug, red                            |
| <b>Pole mounting</b>                                                                |              |         |            |                                                                                                         |                                             |
|  | PM 60        | 8390008 |            | <br>6 418074 051806 | Pole mount set<br>min 50 max 70 mm          |
|                                                                                     | PM 120       | 8390009 |            | <br>6 418074 051813 | Pole mount set<br>min 100 max 120 mm        |

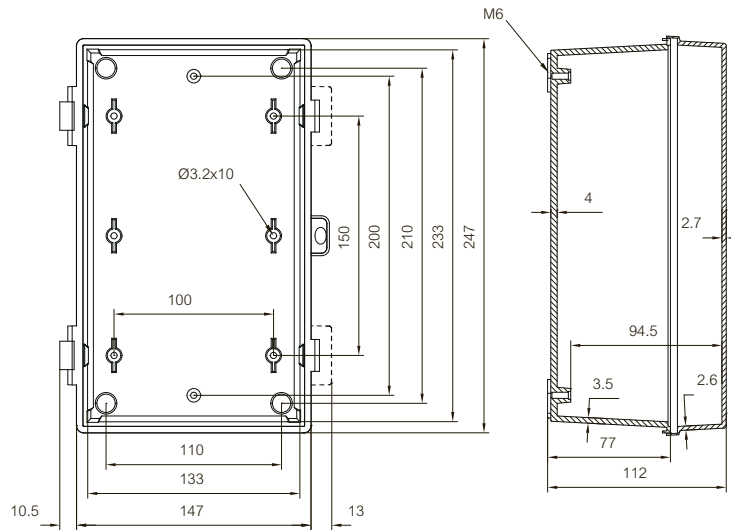
|                                                                                     | Order symbol          | Code    | Dimensions | EAN code                                                                                                | Description                                                                                  |
|-------------------------------------------------------------------------------------|-----------------------|---------|------------|---------------------------------------------------------------------------------------------------------|----------------------------------------------------------------------------------------------|
| <b>DIN rail frame sets</b>                                                          |                       |         |            |                                                                                                         |                                                                                              |
|    | DRF 23                | 4712200 |            | <br>6 418074 040923   | DIN rail frame set, for enclosures:<br>300x200x170, 300x200x180                              |
|                                                                                     | DRF 33                | 4712205 |            | <br>6 418074 040930   | DIN rail frame set, for enclosures:<br>300x200x170, 300x300x170,<br>600x300x170, 300x300x180 |
|                                                                                     | DRF 43/44             | 4712201 |            | <br>6 418074 040947   | DIN rail frame set, for enclosures:<br>400x300x170, 400x300x230,<br>400x400x170, 400x300x180 |
|                                                                                     | DRF 54                | 4712203 |            | <br>6 418074 040954   | DIN rail frame set, for enclosures:<br>500x400x200                                           |
|                                                                                     | DRF 63/64             | 4712204 |            | <br>6 418074 040961   | DIN rail frame set, for enclosures:<br>600x400x210, 600x400x270,<br>600x400x220              |
| <b>Spacers</b>                                                                      |                       |         |            |                                                                                                         |                                                                                              |
|  | FA 12053              | 4712053 |            | <br>6 418074 032171 | Spacer 14 mm<br>M5 self-cutting                                                              |
|                                                                                     | FA 12052              | 4712052 |            | <br>6 418074 032164 | Spacer 42 mm<br>M5 self-cutting                                                              |
|                                                                                     | M5x8                  | 4712161 |            | <br>6 418074 032881 | Mounting screw for spacer                                                                    |
|                                                                                     | MB 10686              | 3730686 |            | <br>6 418074 031181 | Set of 2 spacers including screws<br>(15/34 mm)                                              |
| <b>Other accessories</b>                                                            |                       |         |            |                                                                                                         |                                                                                              |
|  | MSM PT 5x10           | 4712049 |            | <br>6 418074 032577 | Mounting screw                                                                               |
|                                                                                     | PT 60 x 11<br>PH2 SET | 3570580 |            | <br>6 418074 031426 | Mounting screw set (4pcs)<br>For Ø5,2 mm (mounting) pods                                     |
|                                                                                     | MB 12235 KEY          | 8392235 |            | <br>6 418074 024329 | Plastic key for the lock                                                                     |

## Dimensional drawings

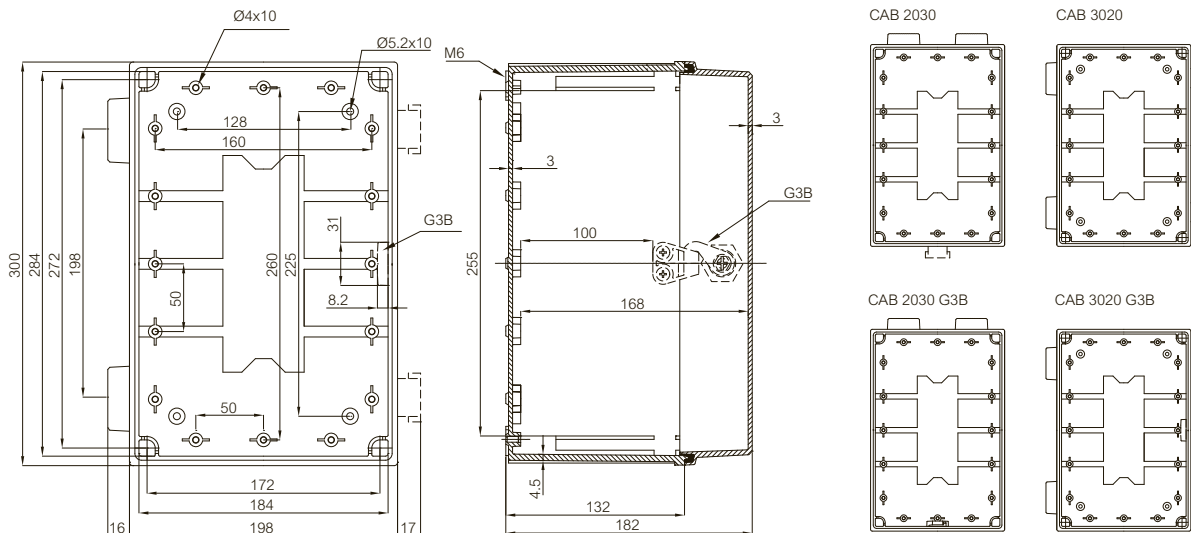
CAB PC/ABS 150x150x110



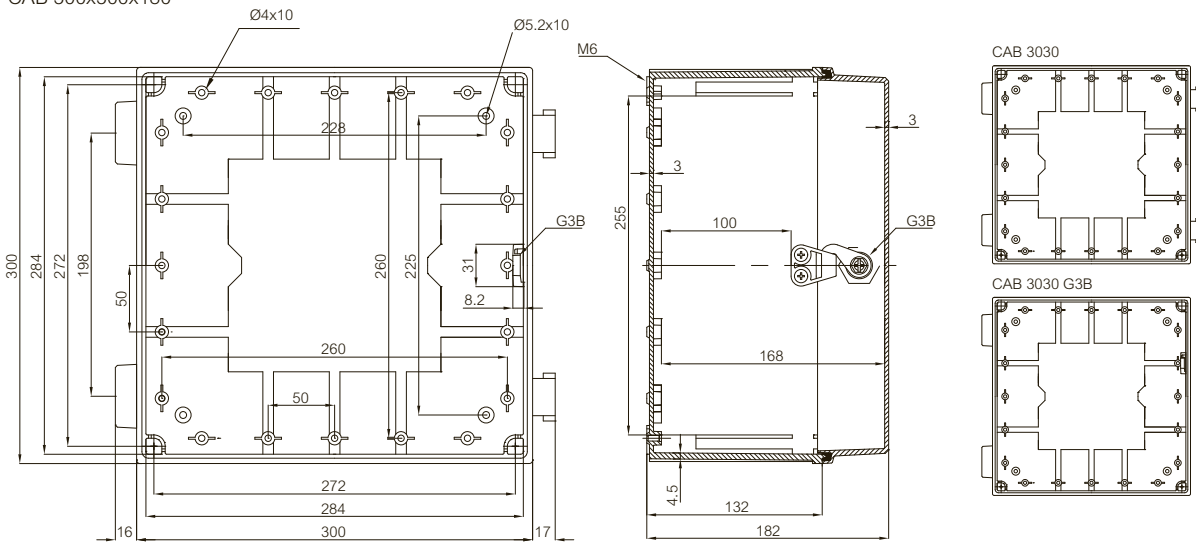
CAB 250x150x110



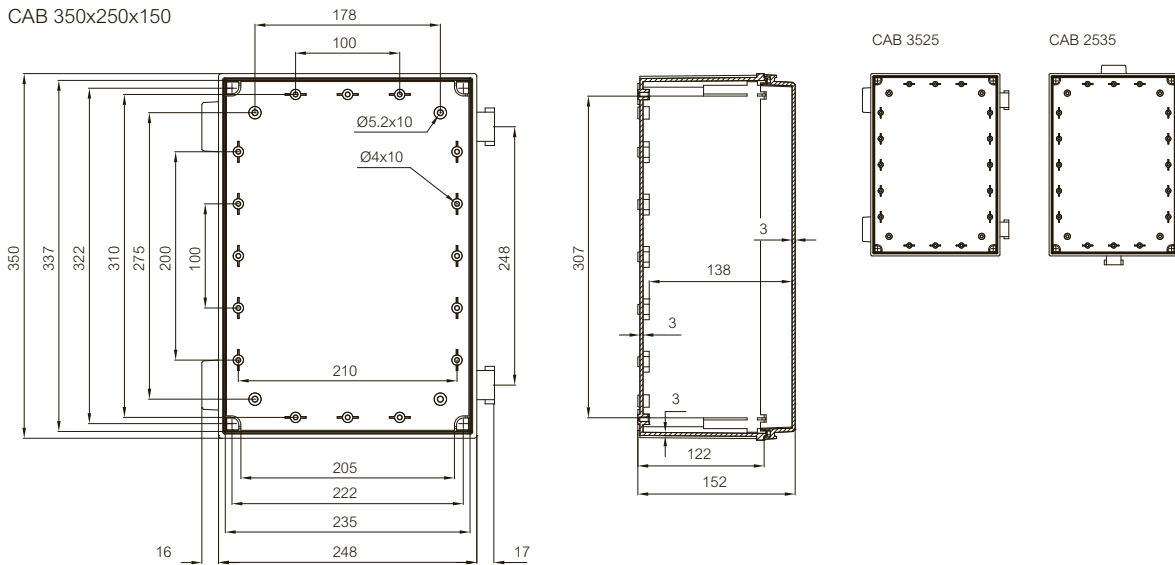
CAB 300x200x180



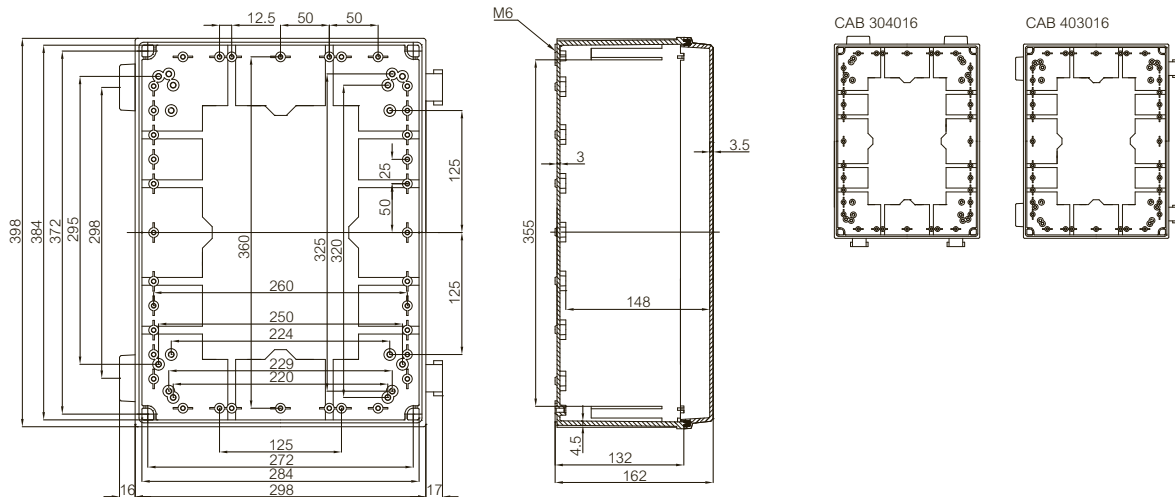
CAB 300x300x180



CAB 350x250x150

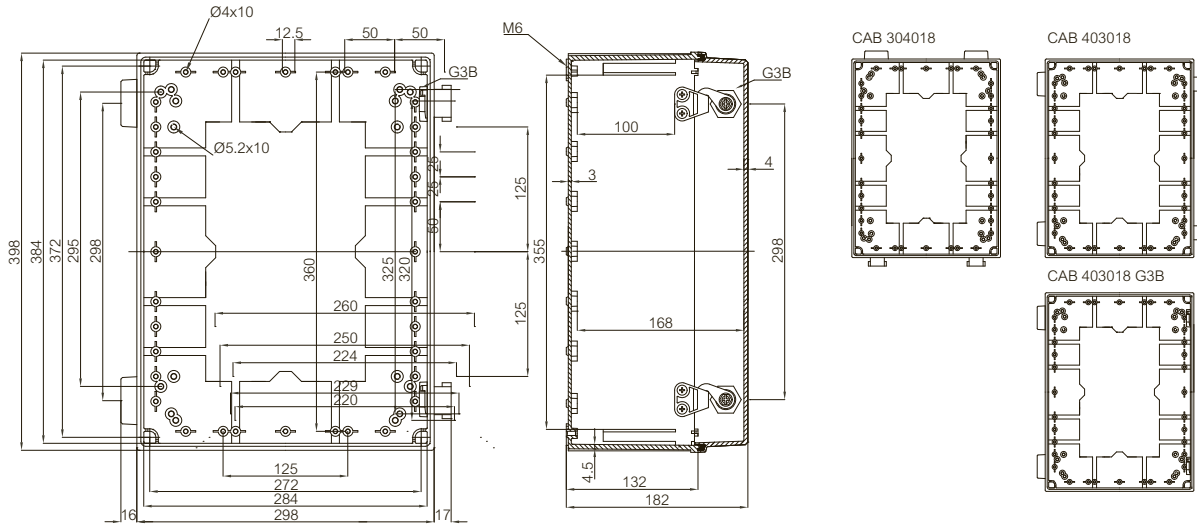


CAB 400x300x160

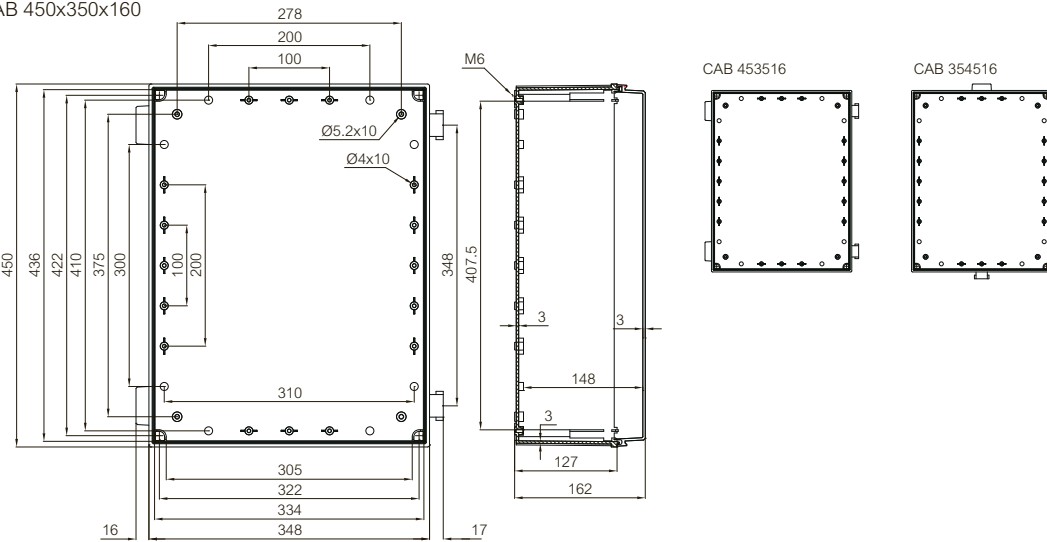


## Dimensional drawings

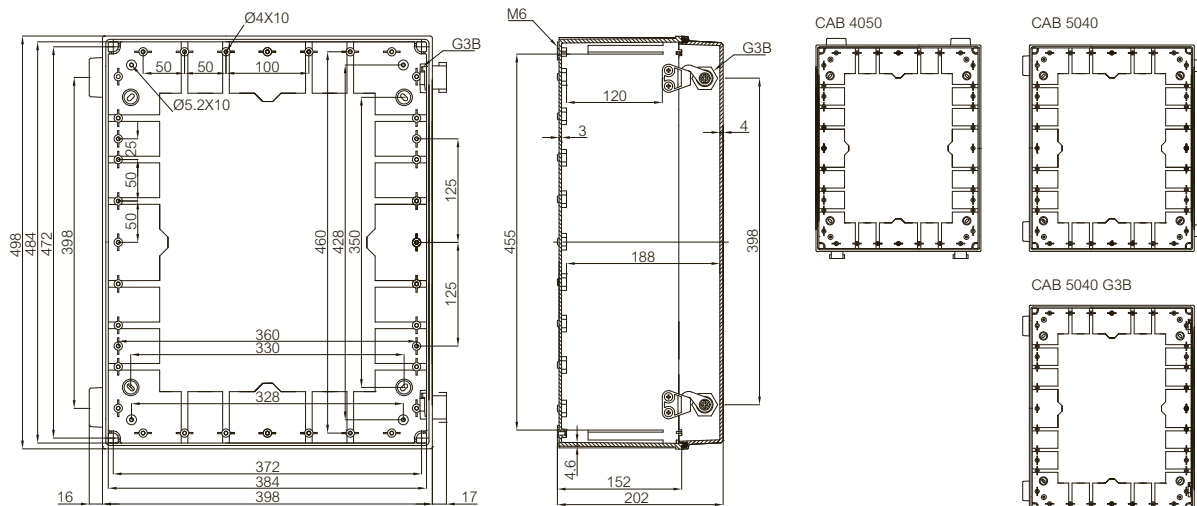
CAB 400x300x180



CAB 450x350x160

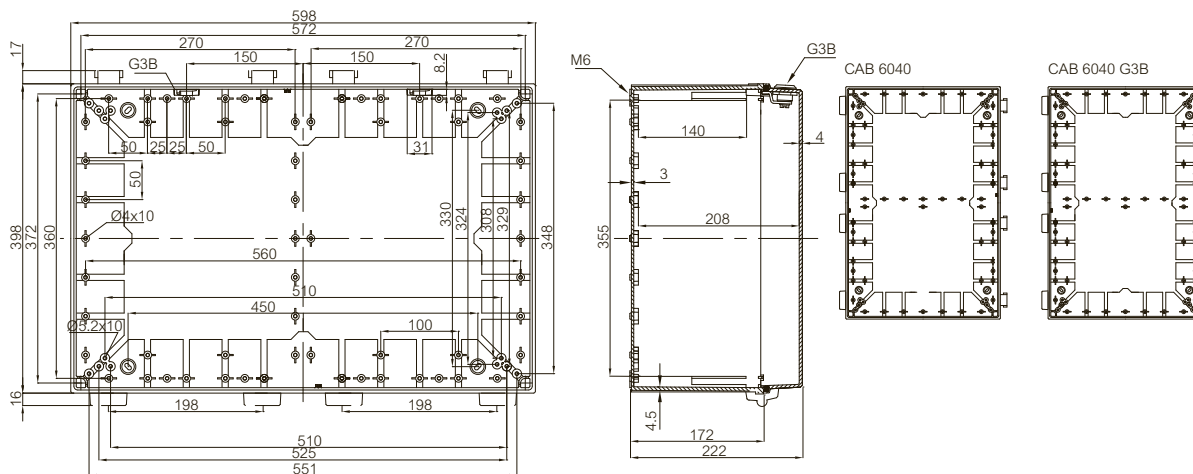


CAB 500x400x200





CAB 600x400x220



# FIBOX – Solutions for demanding environments

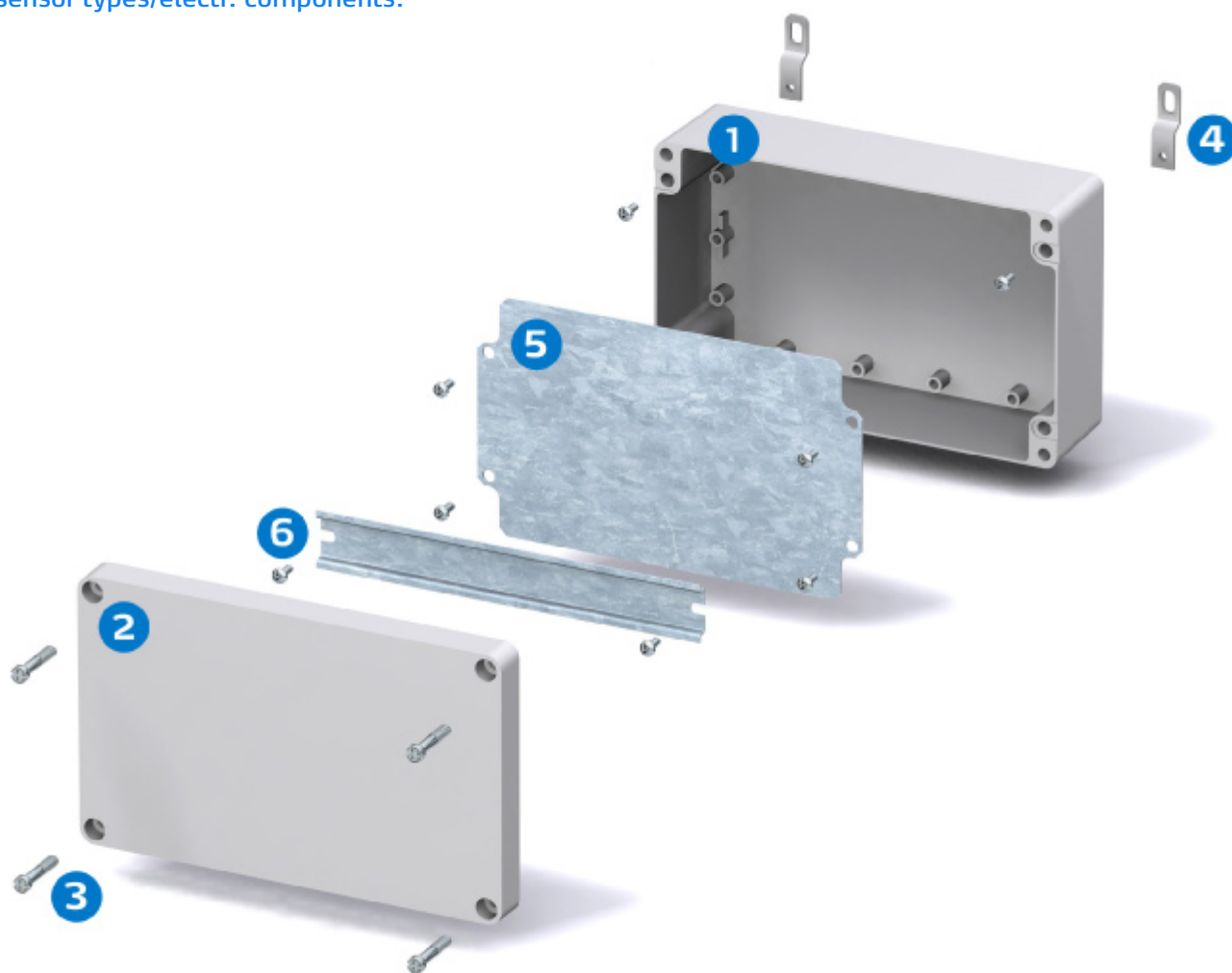




## Lightweight, yet offering the extensive protection from aluminium construction

Our ALU enclosures can be mounted almost anywhere, so it's just as well they withstand so much! Knocks, bangs, chemicals, temperatures that swing from tropical to frozen, or where EMC protection is an issue – ALU beats the competition in guarding against it all.

Designed to mount terminal blocks, ideal for housing and protecting different sensor types/electr. components.



### Enclosure

- 1 Base
- 2 Cover, grey
- 3 Cover screws, various versions

### Accessories

- 4 Fastening lugs, 4 pcs. incl. screws
- 5 Mounting plate, electro-galvanised steel, stable and impact-resistant
- 6 DIN rail with mounting screws different sizes TS 15 / TS 35

# ALU

Including: Base with screws for mounting plate/DIN-rail, cover with PUR gasket and ferritic stainless steel cover screws.

AL: IP66/IP67, IK08

ALN: IP66/IP67/IP68, IK08

| Dimensions                                                                          | Order Symbol | Code    | EAN Code                                                                                                | Description          |
|-------------------------------------------------------------------------------------|--------------|---------|---------------------------------------------------------------------------------------------------------|----------------------|
| <b>50x45x32 mm</b>                                                                  |              |         |                                                                                                         |                      |
|    | AL 050503    | 7011020 | <br>6 418074 004079   | Enclosure, aluminium |
| <b>66x60x46 mm</b>                                                                  |              |         |                                                                                                         |                      |
|   | ALN 060605   | 7811060 | <br>6 418074 016034   | Enclosure, aluminium |
| <b>100x66x46 mm</b>                                                                 |              |         |                                                                                                         |                      |
|  | ALN 061005   | 7811080 | <br>6 418074 016041 | Enclosure, aluminium |
| <b>152x66x46 mm</b>                                                                 |              |         |                                                                                                         |                      |
|  | AL 061505    | 7011100 | <br>6 418074 004109 | Enclosure, aluminium |

Including: Base with screws for mounting plate/DIN-rail, cover with PUR gasket and ferritic stainless steel cover screws.

AL: IP66/IP67, IK08  
ALN: IP66/IP67/IP68, IK08

| Dimensions                                                                          | Order Symbol | Code    | EAN Code                                                                                                | Description          |
|-------------------------------------------------------------------------------------|--------------|---------|---------------------------------------------------------------------------------------------------------|----------------------|
| <b>82x77x57 mm</b>                                                                  |              |         |                                                                                                         |                      |
|    | ALN 080806   | 7811130 | <br>6 418074 016065   | Enclosure, aluminium |
| <b>127x81x57 mm</b>                                                                 |              |         |                                                                                                         |                      |
|   | ALN 081306   | 7811150 | <br>6 418074 016072   | Enclosure, aluminium |
| <b>177x81x57 mm</b>                                                                 |              |         |                                                                                                         |                      |
|  | ALN 081806   | 7811170 | <br>6 418074 016089 | Enclosure, aluminium |
| <b>252x81x57 mm</b>                                                                 |              |         |                                                                                                         |                      |
|  | ALN 082506   | 7811190 | <br>6 418074 016096 | Enclosure, aluminium |

# ALU

Including: Base with screws for mounting plate/DIN-rail, cover with PUR gasket and ferritic stainless steel cover screws.

AL: IP66/IP67, IK08

ALN: IP66/IP67/IP68, IK08

| Dimensions                                                                          | Order Symbol | Code    | EAN Code                                                                                                | Description          |
|-------------------------------------------------------------------------------------|--------------|---------|---------------------------------------------------------------------------------------------------------|----------------------|
| <b>125x124x81 mm</b>                                                                |              |         |                                                                                                         |                      |
|    | ALN 121208   | 7811210 | <br>6 418074 016102   | Enclosure, aluminium |
| <b>222x125x81 mm</b>                                                                |              |         |                                                                                                         |                      |
|   | ALN 122208   | 7811230 | <br>6 418074 016119   | Enclosure, aluminium |
| <b>362x125x81 mm</b>                                                                |              |         |                                                                                                         |                      |
|  | ALN 123608   | 7811250 | <br>6 418074 011404 | Enclosure, aluminium |
| <b>163x162x91 mm</b>                                                                |              |         |                                                                                                         |                      |
|  | ALN 161609   | 7811270 | <br>6 418074 016126 | Enclosure, aluminium |

Including: Base with screws for mounting plate/DIN-rail, cover with PUR gasket and ferritic stainless steel cover screws.

AL: IP66/IP67, IK08  
ALN: IP66/IP67/IP68, IK08

| Dimensions                                                                          | Order Symbol | Code    | EAN Code                                                                                                | Description          |
|-------------------------------------------------------------------------------------|--------------|---------|---------------------------------------------------------------------------------------------------------|----------------------|
| <b>263x162x91 mm</b>                                                                |              |         |                                                                                                         |                      |
|    | ALN 162609   | 7811290 | <br>6 418074 016133   | Enclosure, aluminium |
| <b>360x160x90 mm</b>                                                                |              |         |                                                                                                         |                      |
|   | ALN 163609   | 7811310 | <br>6 418074 016140   | Enclosure, aluminium |
| <b>560x160x90 mm</b>                                                                |              |         |                                                                                                         |                      |
|  | AL 165609    | 7011330 | <br>6 418074 004215 | Enclosure, aluminium |
| <b>230x200x110 mm</b>                                                               |              |         |                                                                                                         |                      |
|  | ALN 232011   | 7811350 | <br>6 418074 016164 | Enclosure, aluminium |

# ALU

Including: Base with screws for mounting plate/DIN-rail, cover with PUR gasket and ferritic stainless steel cover screws.

AL: IP66/IP67, IK08

ALN: IP66/IP67/IP68, IK08

| Dimensions                                                                          | Order Symbol | Code    | EAN Code                                                                                                | Description          |
|-------------------------------------------------------------------------------------|--------------|---------|---------------------------------------------------------------------------------------------------------|----------------------|
| <b>230x200x180 mm</b>                                                               |              |         |                                                                                                         |                      |
|    | AL 232018    | 7011360 | <br>6 418074 004239   | Enclosure, aluminium |
| <b>280x230x110 mm</b>                                                               |              |         |                                                                                                         |                      |
|   | ALN 232811   | 7811370 | <br>6 418074 016188   | Enclosure, aluminium |
| <b>330x230x110 mm</b>                                                               |              |         |                                                                                                         |                      |
|  | ALN 233311   | 7811380 | <br>6 418074 016195 | Enclosure, aluminium |
| <b>330x230x180 mm</b>                                                               |              |         |                                                                                                         |                      |
|  | ALN 233318   | 7811390 | <br>6 418074 016201 | Enclosure, aluminium |



Including: Base with screws for mounting plate/DIN-rail, cover with PUR gasket and ferritic stainless steel cover screws.

AL: IP66/IP67, IK08  
ALN: IP66/IP67/IP68, IK08

| Dimensions                                                                          | Order Symbol | Code    | EAN Code                                                                                                | Description          |
|-------------------------------------------------------------------------------------|--------------|---------|---------------------------------------------------------------------------------------------------------|----------------------|
| <b>401x230x110 mm</b>                                                               |              |         |                                                                                                         |                      |
|    | AL 234011    | 7011400 | <br>6 418074 004277   | Enclosure, aluminium |
| <b>401x230x180 mm</b>                                                               |              |         |                                                                                                         |                      |
|   | ALN 234018   | 7811410 | <br>6 418074 016225   | Enclosure, aluminium |
| <b>600x230x110 mm</b>                                                               |              |         |                                                                                                         |                      |
|  | AL 236011    | 7011420 | <br>6 418074 004284 | Enclosure, aluminium |
| <b>403x310x110 mm</b>                                                               |              |         |                                                                                                         |                      |
|  | AL 314011    | 7011450 | <br>6 418074 004291 | Enclosure, aluminium |

# ALU

Including: Base with screws for mounting plate/DIN-rail, cover with PUR gasket and ferritic stainless steel cover screws.

AL: IP66/IP67, IK08

ALN: IP66/IP67/IP68, IK08

| Dimensions                                                                          | Order Symbol | Code    | EAN Code                                                                                                | Description          |
|-------------------------------------------------------------------------------------|--------------|---------|---------------------------------------------------------------------------------------------------------|----------------------|
| <b>403x310x180 mm</b>                                                               |              |         |                                                                                                         |                      |
|    | ALN 314018   | 7811460 | <br>6 418074 016256   | Enclosure, aluminium |
| <b>600x310x110 mm</b>                                                               |              |         |                                                                                                         |                      |
|   | ALN 316011   | 7811470 | <br>6 418074 010834   | Enclosure, aluminium |
| <b>600x310x180 mm</b>                                                               |              |         |                                                                                                         |                      |
|  | ALN 316018   | 7811480 | <br>6 418074 016263 | Enclosure, aluminium |

| ALU technical information                            |                              | Confirmity to standards                                                                                                                                                                                                                                                                                                                                                                                                                            |
|------------------------------------------------------|------------------------------|----------------------------------------------------------------------------------------------------------------------------------------------------------------------------------------------------------------------------------------------------------------------------------------------------------------------------------------------------------------------------------------------------------------------------------------------------|
| Property                                             | Aluminium                    |                                                                                                                                                                                                                                                                                                                                                                                                                                                    |
| Ingress Protection (EN 60529)                        | IP66/IP67/IP68               | <b>USA</b> Enclosures for Electrical Equipment<br>UL Type 1, 4, 4X, 12 or 13; UL File E75645 Vol 1 Sec 6*<br><br><b>Canada</b> Industrial Control Equipment<br>Enclosures for Electrical Equipment/ULc*<br><br><b>Europe</b> Empty enclosures for low-voltage switchgear and<br>controlgear assemblies EN 62208:2003<br><b>Europe</b> Safety of Information Technology Equipment EN 60950<br>RoHS directive 2002/95/EC<br><br>*UL label on request |
| Impact Resistance (EN 62262)                         | IK 08                        |                                                                                                                                                                                                                                                                                                                                                                                                                                                    |
| Température Range Celsius<br>(short term) Fahrenheit | -40...120° C<br>-40...250° F |                                                                                                                                                                                                                                                                                                                                                                                                                                                    |
| Température Range Celsius<br>(continuous) Fahrenheit | -40...80° C<br>-40...175° F  |                                                                                                                                                                                                                                                                                                                                                                                                                                                    |
| Polyester powder paint colour                        | RAL 7001                     |                                                                                                                                                                                                                                                                                                                                                                                                                                                    |
| Cover Screws (0505 - 1626)                           | Ferritic Stainless Steel     |                                                                                                                                                                                                                                                                                                                                                                                                                                                    |
| Cover Screws (1636 - 3160)                           | Stainless steel              |                                                                                                                                                                                                                                                                                                                                                                                                                                                    |
| Gasket                                               | PUR                          |                                                                                                                                                                                                                                                                                                                                                                                                                                                    |
| Chemical Resistance **                               | Good                         |                                                                                                                                                                                                                                                                                                                                                                                                                                                    |

Data subject to change without notice.







\*\*Consult separate raw material data for more detailed information



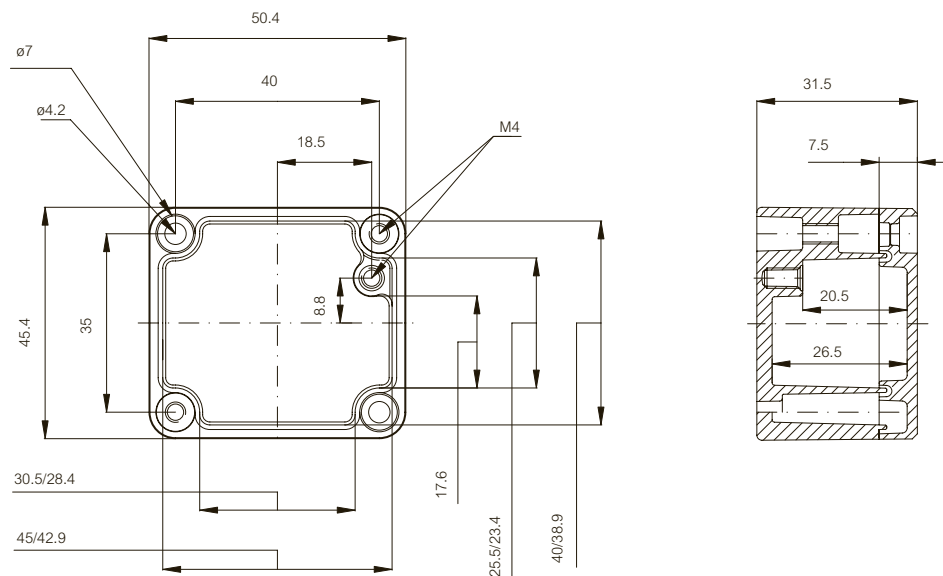
|                                                                                   | Order symbol | Code    | Dimensions | EAN code                                                                                                | Description                                                 |
|-----------------------------------------------------------------------------------|--------------|---------|------------|---------------------------------------------------------------------------------------------------------|-------------------------------------------------------------|
| <b>Mounting plates (Galvanized steel, sheet thickness 1,5 mm)</b>                 |              |         |            |                                                                                                         |                                                             |
|  | AM 0808      | 9823015 | 64x69      | <br>6 418074 033796   | Mounting plate, for enclosures:<br>82x77x57, 252x81x57      |
|                                                                                   | AM 0813      | 9511043 | 114x69     | <br>6 418074 033802   | Mounting plate, for enclosures:<br>127x81x57, 252x81x57     |
|                                                                                   | AM 0818      | 9823017 | 164x69     | <br>6 418074 033819   | Mounting plate, for enclosures:<br>177x81x57, 252x81x57     |
|                                                                                   | AM 0825      | 9511007 | 240x69     | <br>6 418074 033826   | Mounting plate, for enclosures:<br>252x81x57                |
|                                                                                   | AM 1212      | 9511150 | 110x107    | <br>6 418074 033833   | Mounting plate, for enclosures:<br>125x124x81, 362x125x81   |
|                                                                                   | AM 1222      | 9511095 | 207x107    | <br>6 418074 033840  | Mounting plate, for enclosures:<br>222x125x81, 362x125x81   |
|                                                                                   | AM 1236      | 9511174 | 347x107    | <br>6 418074 033857 | Mounting plate, for enclosures:<br>362x125x81               |
|                                                                                   | AM 1616      | 9511149 | 146x146    | <br>6 418074 033864 | Mounting plate, for enclosures:<br>163x162x91               |
|                                                                                   | AM 1626      | 9511096 | 244x146    | <br>6 418074 033871 | Mounting plate, for enclosures:<br>263x162x91               |
|                                                                                   | AM 1636      | 9511175 | 346x146    | <br>6 418074 033888 | Mounting plate, for enclosures:<br>360x160x90               |
|                                                                                   | AM 1656      | 9511014 | 545x146    | <br>6 418074 033895 | Mounting plate, for enclosures:<br>560x160x90               |
|                                                                                   | AM 2320      | 9511015 | 184x215    | <br>6 418074 033901 | Mounting plate, for enclosures:<br>230x200x110, 230x200x180 |
|                                                                                   | AM 2328      | 9511016 | 264x215    | <br>6 418074 033918 | Mounting plate, for enclosures:<br>280x230x110              |
|                                                                                   | AM 2333      | 9511017 | 315x215    | <br>6 418074 033925 | Mounting plate, for enclosures:<br>330x230x110, 330x230x180 |
|                                                                                   | AM 2340      | 9511018 | 385x215    | <br>6 418074 033932 | Mounting plate, for enclosures:<br>401x230x110, 401x230x180 |

|                                                                                     | Order symbol | Code    | Dimensions | EAN code                                                                                             | Description                                                    |
|-------------------------------------------------------------------------------------|--------------|---------|------------|------------------------------------------------------------------------------------------------------|----------------------------------------------------------------|
|                                                                                     | AM 2360      | 9511019 | 586x215    |  6 418074 033949   | Mounting plate, for enclosures: 600x230x110                    |
|                                                                                     | AM 3140      | 9511020 | 387x294    |  6 418074 033956   | Mounting plate, for enclosures: 403x310x110, 403x310x180       |
|                                                                                     | AM 3160      | 9511021 | 585x293    |  6 418074 033963   | Mounting plate, for enclosures: 600x310x110, 600x310x180       |
| <b>DIN-15 Mounting rails (Galvanized steel, rail height 5,0 mm)</b>                 |              |         |            |                                                                                                      |                                                                |
|   | ARM 0808     | 9820002 | 65x15      |  6 418074 034205   | DIN-15 Mounting rail, for enclosures: 82x77x57                 |
|                                                                                     | ARM 0610     | 9820005 | 88x15      |  6 418074 034182   | DIN-15 Mounting rail, for enclosures: 100x66x46                |
|                                                                                     | ARM 0813     | 9820010 | 115x15     |  6 418074 034212  | DIN-15 Mounting rail, for enclosures: 127x81x57                |
|                                                                                     | ARM 0615     | 9820011 | 140x15     |  6 418074 034199 | DIN-15 Mounting rail, for enclosures: 152x66x46                |
|                                                                                     | ARM 0818     | 9820014 | 165x15     |  6 418074 034229 | DIN-15 Mounting rail, for enclosures: 177x81x57                |
|                                                                                     | ARM 0825     | 9820019 | 240x15     |  6 418074 034236 | DIN-15 Mounting rail, for enclosures: 252x81x57                |
| <b>DIN-35 Mounting rails (Galvanized steel, rail height 7,5 mm)</b>                 |              |         |            |                                                                                                      |                                                                |
|  | ARH 12       | 9822001 | 105x35     |  6 418074 034274 | DIN-35 Mounting rail, for enclosures: 125x124x81, 362x125x81   |
|                                                                                     | ARH 16       | 9822003 | 140x35     |  6 418074 034281 | DIN-35 Mounting rail, for enclosures: 163x162x91               |
|                                                                                     | ARH 2320     | 9822005 | 180x35     |  6 418074 034366 | DIN-35 Mounting rail, for enclosures: 230x200x110, 230x200x180 |
|                                                                                     | ARH 22       | 9822007 | 203x35     |  6 418074 034298 | DIN-35 Mounting rail, for enclosures: 222x125x81               |
|                                                                                     | ARH 26       | 9822011 | 240x35     |  6 418074 034304 | DIN-35 Mounting rail, for enclosures: 252x81x57, 263x162x91    |

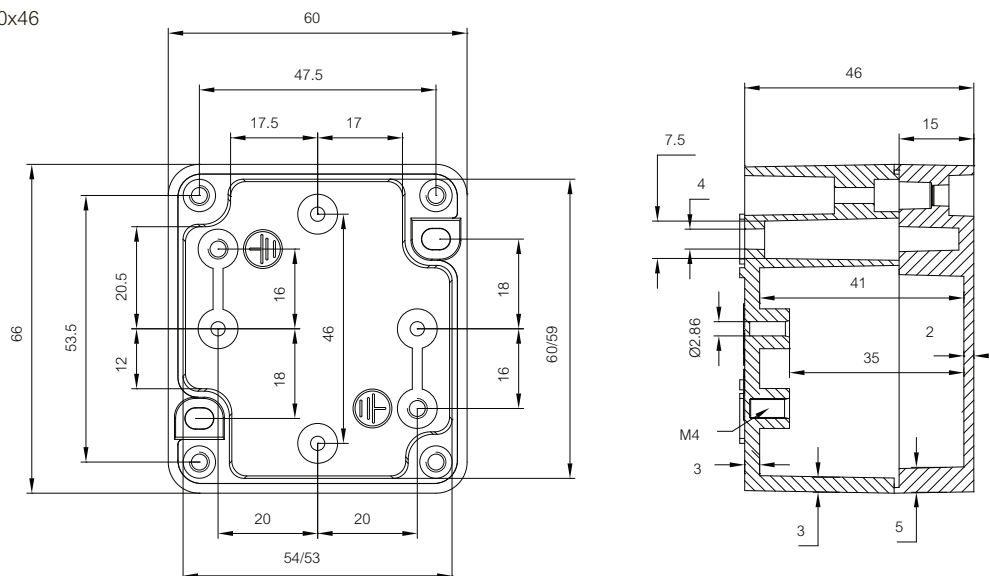
|                                                                                     | Order symbol  | Code    | Dimensions | EAN code                                                                                             | Description                                                                                |
|-------------------------------------------------------------------------------------|---------------|---------|------------|------------------------------------------------------------------------------------------------------|--------------------------------------------------------------------------------------------|
|                                                                                     | ARH 2328      | 9822012 | 260x35     |  6 418074 034373   | DIN-35 Mounting rail, for enclosures: 280x230x110                                          |
|                                                                                     | ARH 2333      | 9822014 | 310x35     |  6 418074 034380   | DIN-35 Mounting rail, for enclosures: 330x230x110, 330x230x180                             |
|                                                                                     | ARH 1636      | 9822029 | 340x35     |  6 418074 034342   | DIN-35 Mounting rail, for enclosures: 360x160x90                                           |
|                                                                                     | ARH 36        | 9822015 | 343x35     |  6 418074 034311   | DIN-35 Mounting rail, for enclosures: 362x125x81                                           |
|                                                                                     | ARH 40        | 9822017 | 383x35     |  6 418074 034328   | DIN-35 Mounting rail, for enclosures: 401x230x110, 401x230x180, 403x310x110, 403x310x180   |
|                                                                                     | ARH 1656      | 9822018 | 540x35     |  6 418074 034359  | DIN-35 Mounting rail, for enclosures: 560x160x90                                           |
|                                                                                     | ARH 60        | 9822019 | 580x35     |  6 418074 034335 | DIN-35 Mounting rail, for enclosures: 600x230x110, 600x310x110, 600x310x180                |
| <b>Hinges and wall mounting</b>                                                     |               |         |            |                                                                                                      |                                                                                            |
|  | PH A & AH A/B | 9801047 |            |  6 418074 034090 | Hinge set                                                                                  |
|                                                                                     | MRS 28545WH   | 7028545 |            |  6 418074 035844 | Wire hinge set one pair with screw, M6x30                                                  |
|                                                                                     | MRS 28540     | 7028540 | 42x11      |  6 418074 033741 | Wall fastening lug (2 pcs), for enclosures: 66x60x46-252x81x57, 80x75x55-190x75x55         |
|                                                                                     | MRS 28541     | 7028541 | 50x15      |  6 418074 033758 | Wall fastening lug (2 pcs), for enclosures: 125x124x81-600x310x180, 122x120x90-406x401x120 |
| <b>Cover screws</b>                                                                 |               |         |            |                                                                                                      |                                                                                            |
|  | MR 10425      | 7010425 |            |  6 418074 035806 | Cover screw M4x20                                                                          |
|                                                                                     | MR 10635      | 7010635 |            |  6 418074 035820 | Cover screw M6x30                                                                          |

|                                                                                   | Order symbol | Code    | Dimensions | EAN code                                                                                                | Description                                                                            |
|-----------------------------------------------------------------------------------|--------------|---------|------------|---------------------------------------------------------------------------------------------------------|----------------------------------------------------------------------------------------|
| <b>Mounting and earth screws</b>                                                  |              |         |            |                                                                                                         |                                                                                        |
|  | MR 28548ZN   | 7028548 |            | <br>6 418074 036377   | Mounting screw M4x6                                                                    |
|                                                                                   | MR 28549ZN   | 7028549 |            | <br>6 418074 036353   | Mounting screw M6x8                                                                    |
|                                                                                   | MR 75003     | 7075003 |            | <br>6 418074 033765   | Selftapping taptite screw M3, for enclosures:<br>66x60x45-252x81x57                    |
|                                                                                   | MR 75005     | 7075005 |            | <br>6 418074 033772   | Selftapping taptite screw M5, for enclosures:<br>125x124x81-360x160x90                 |
|                                                                                   | MR 28550     | 7028550 |            | <br>6 418074 003904   | Earth screw<br>for AL 050503                                                           |
|                                                                                   | MR 28546CU   | 7010408 |            | <br>6 418074 036230  | Earth screw<br>for small AL-enclosures up to 0825                                      |
|                                                                                   | MR 28547CU   | 7010610 |            | <br>6 418074 036360 | Earth screw<br>for big AL-enclosures from 1212                                         |
|                                                                                   | MRS 28546    | 7028546 |            | <br>6 418074 003911 | Earth screw set (2 pcs)                                                                |
|                                                                                   | MRS 38546    | 7038546 |            | <br>6 418074 036322 | Screw set for small AL-enclosures<br>up to 0825<br>incl. 2 earth and 4 mounting screws |
|                                                                                   | MRS 38547    | 7038547 |            | <br>6 418074 036339 | Screw set for big AL-enclosures<br>from 1212<br>incl. 2 earth and 4 mounting screws    |

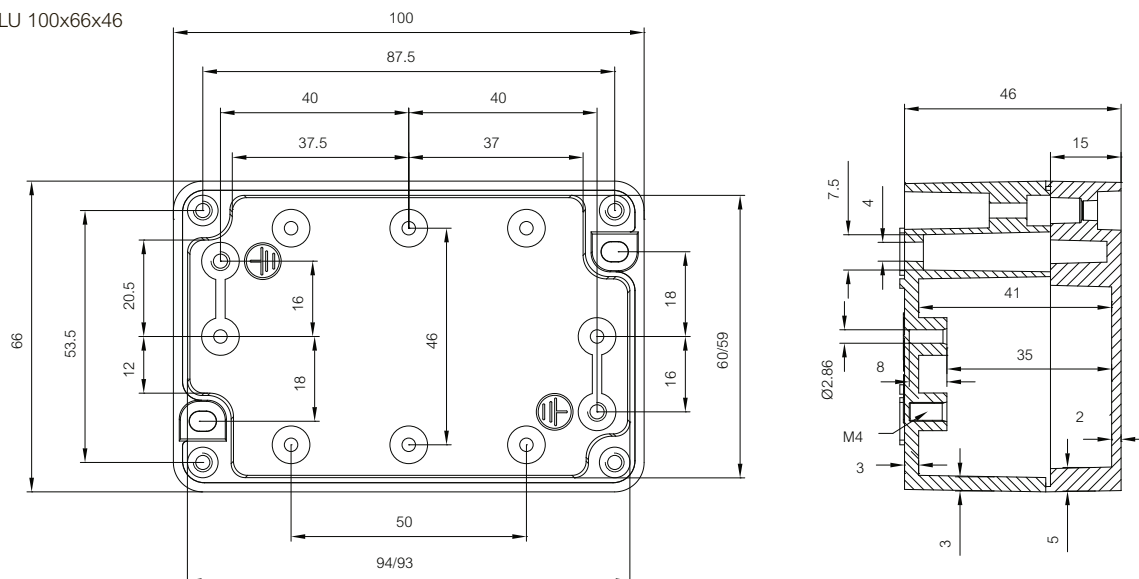
ALU 50x45x32



ALU 66x60x46

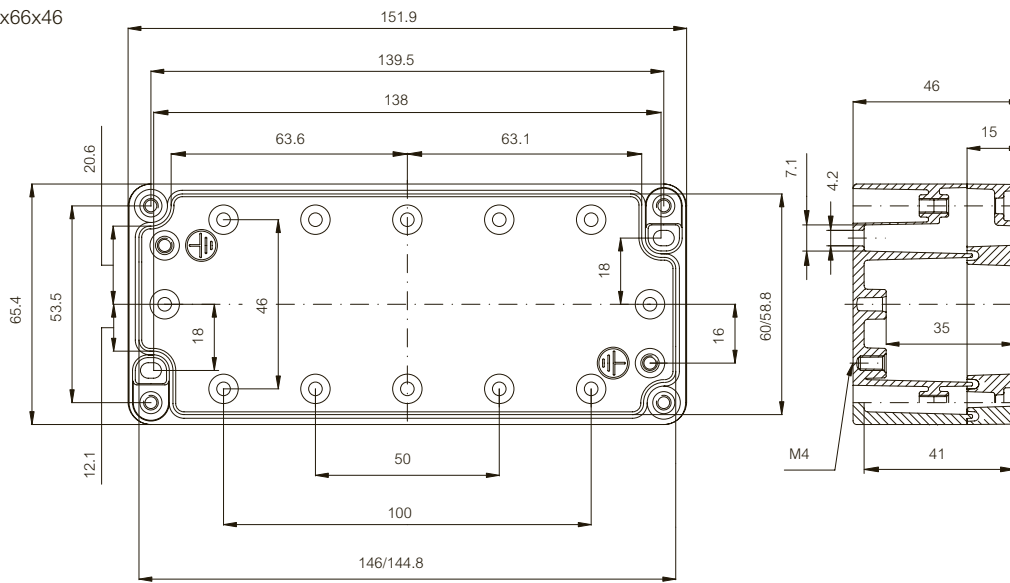


ALU 100x66x46

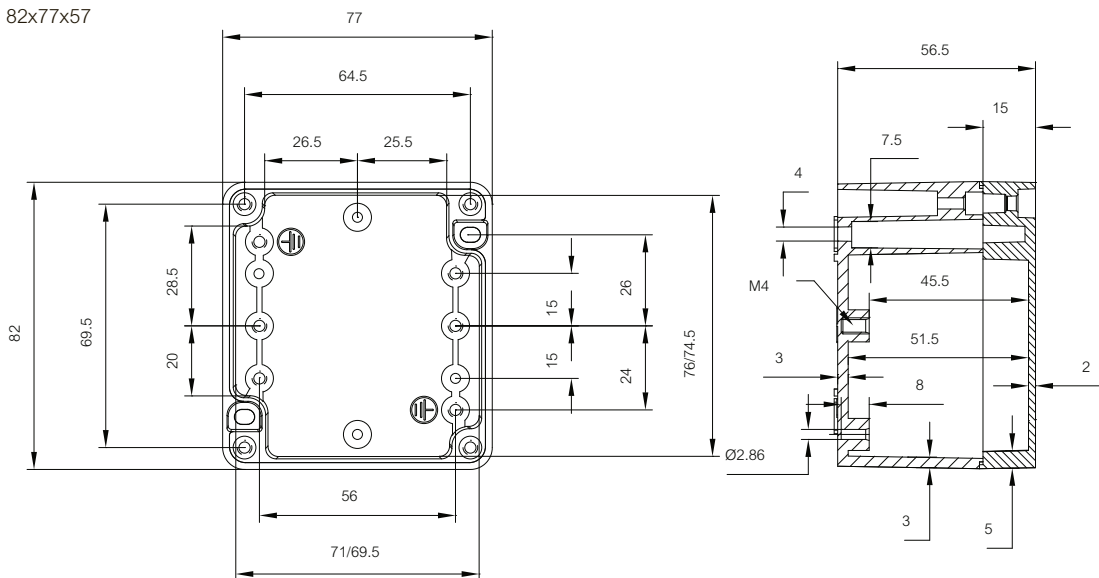


## Dimensional drawings

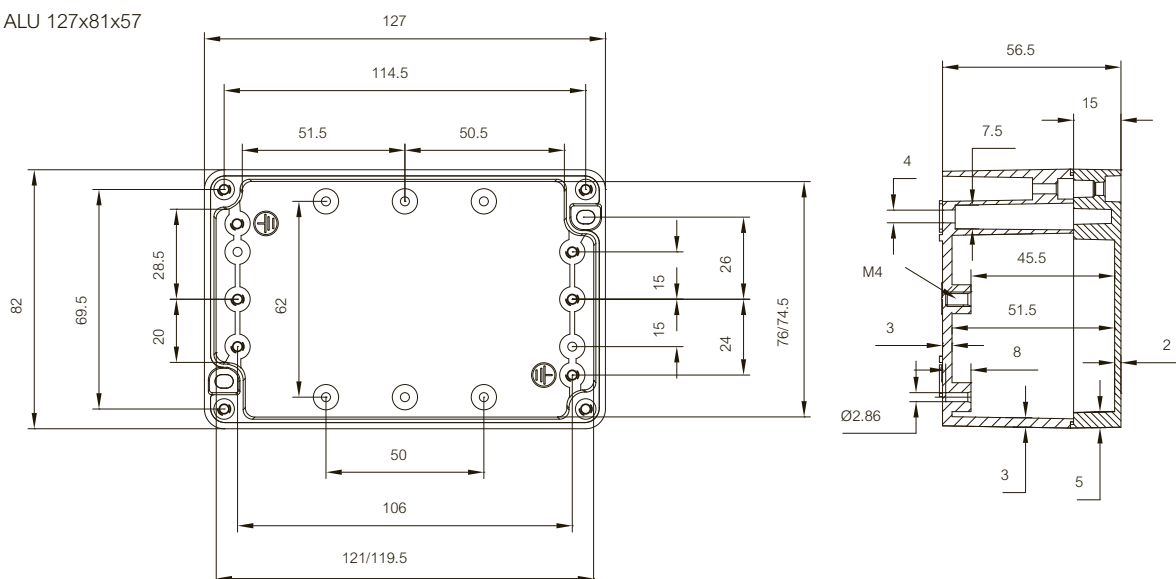
ALU 152x66x46



ALU 82x77x57

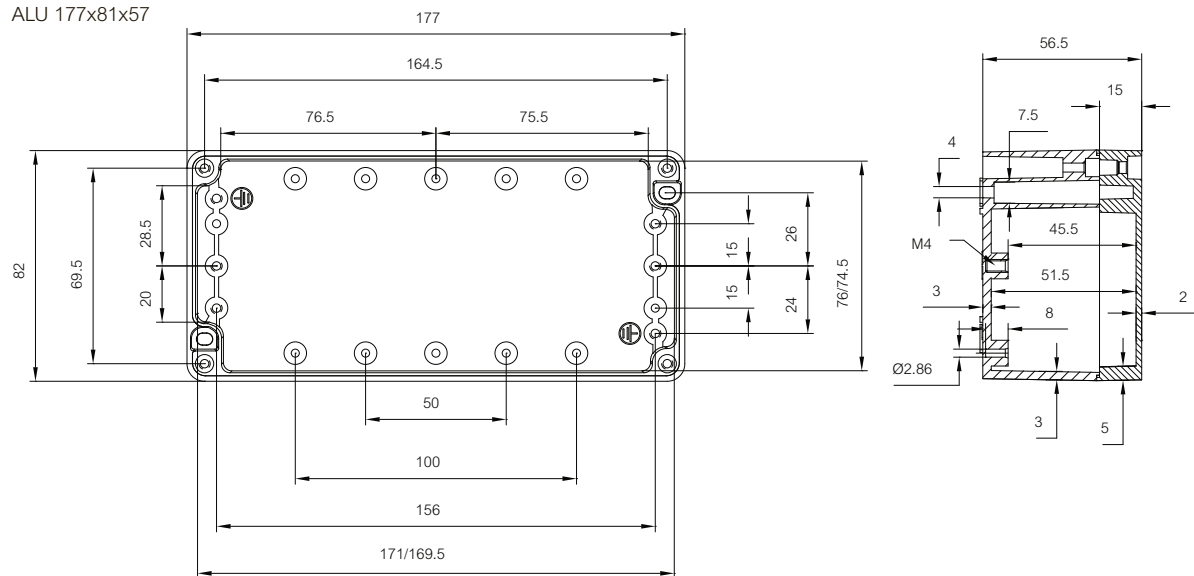


ALU 127x81x57

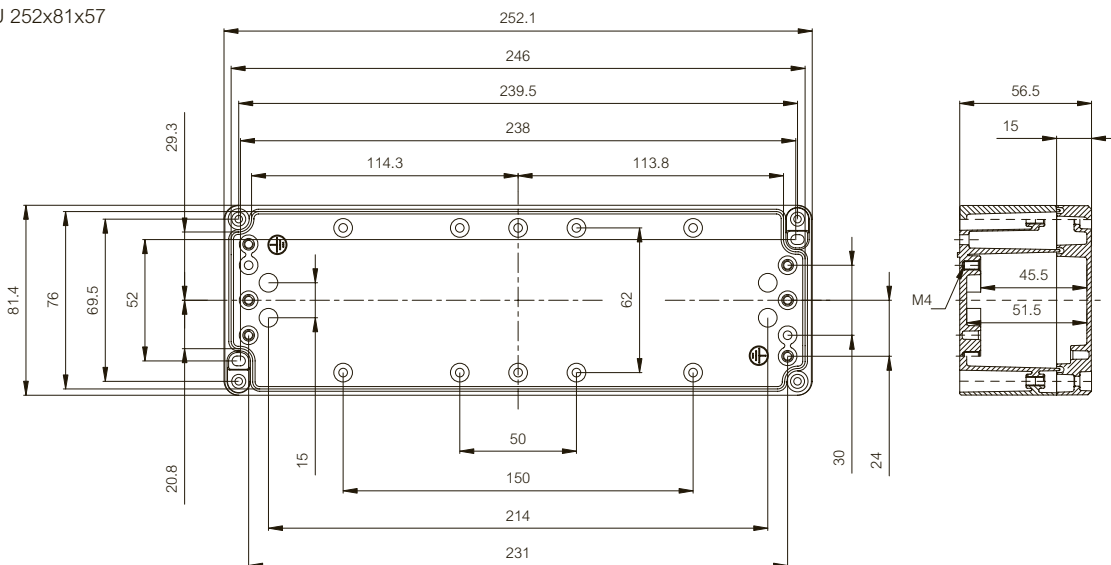




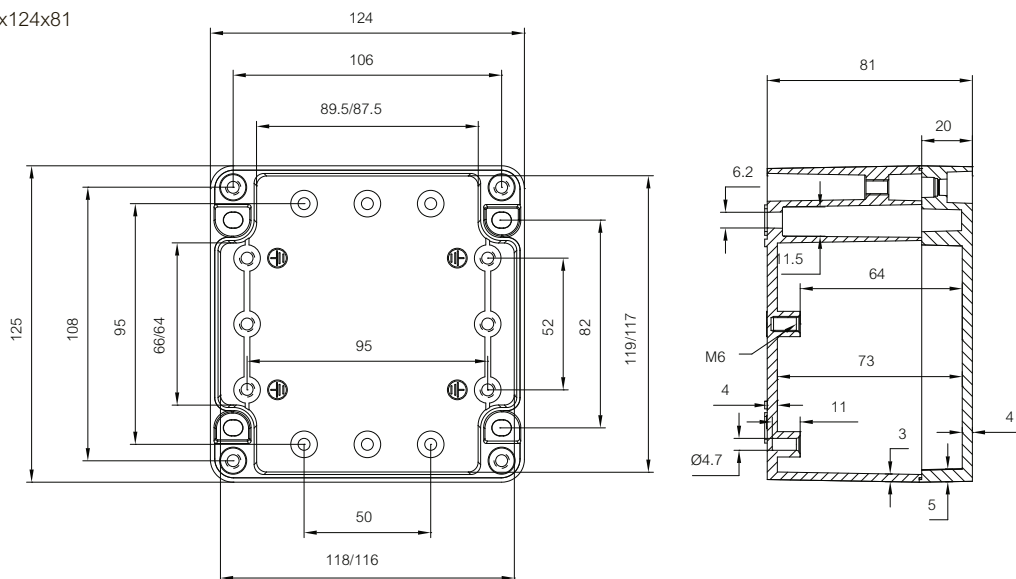
ALU 177x81x57



ALU 252x81x57

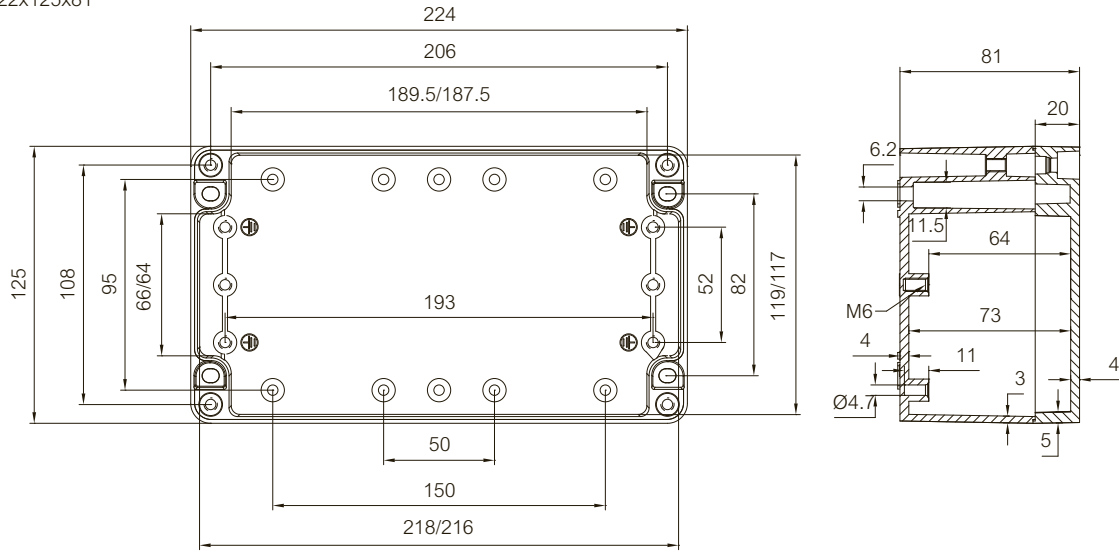


ALU 125x124x81

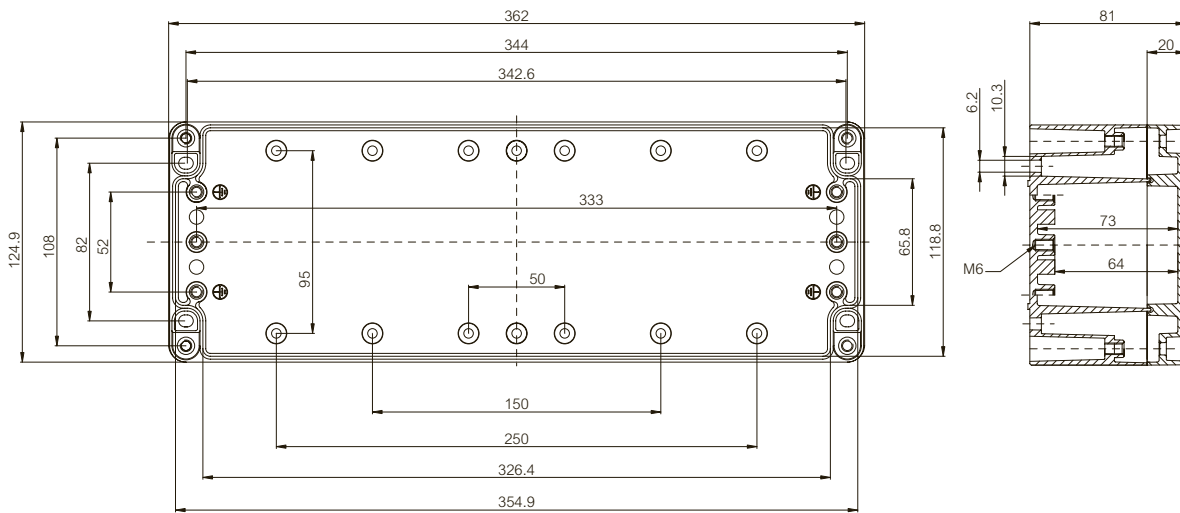


## Dimensional drawings

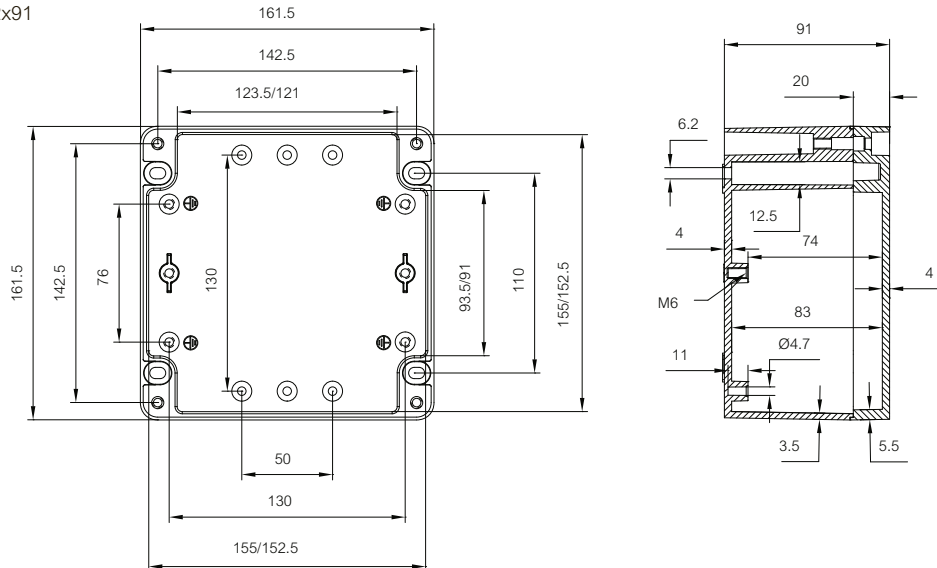
ALU 222x125x81



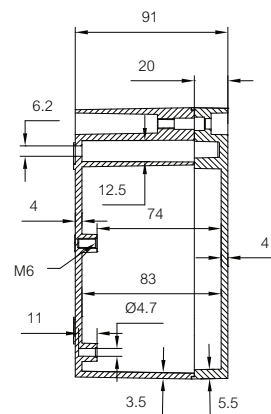
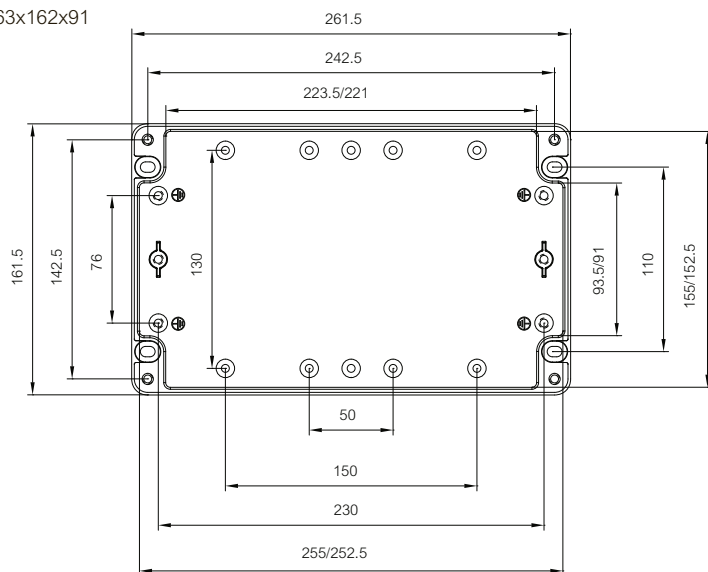
ALU 362x125x81



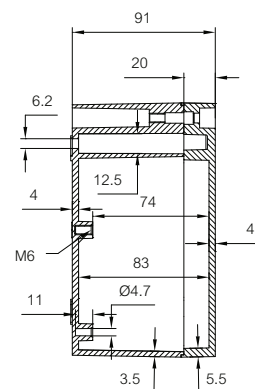
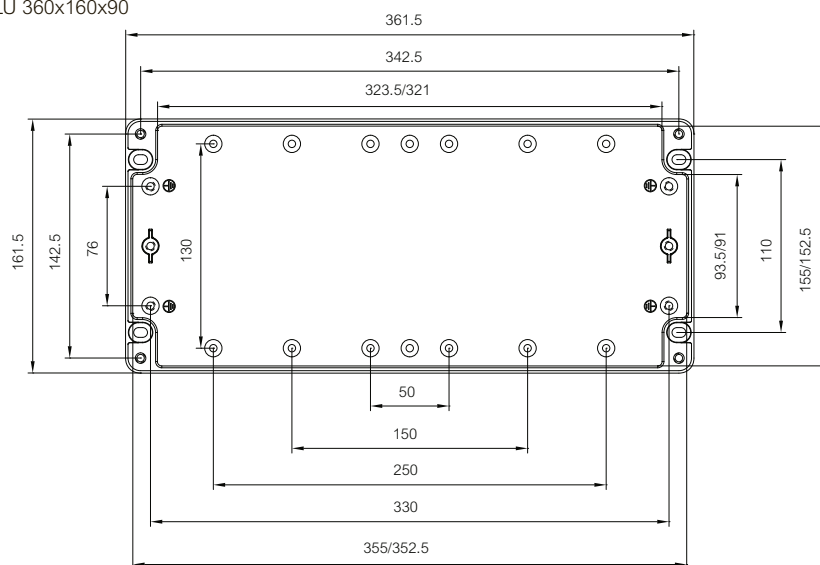
ALU 163x162x91



ALU 263x162x91

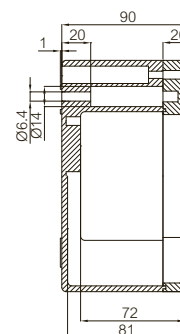
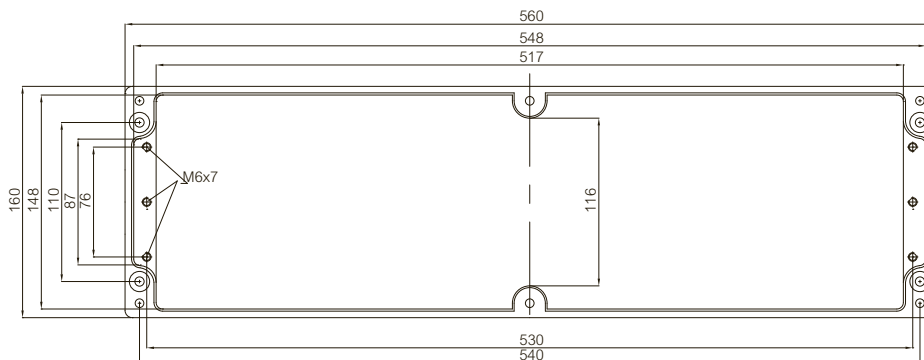


ALU 360x160x90



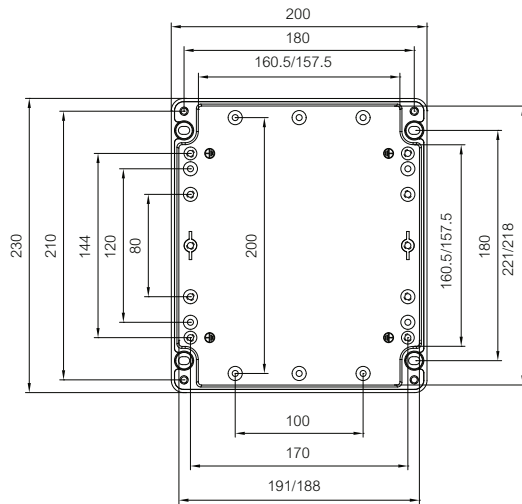
ALU 560x160x90

FIBOX Aluminium AL 165609

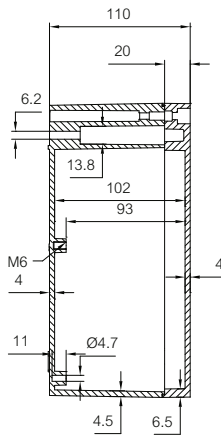


## Dimensional drawings

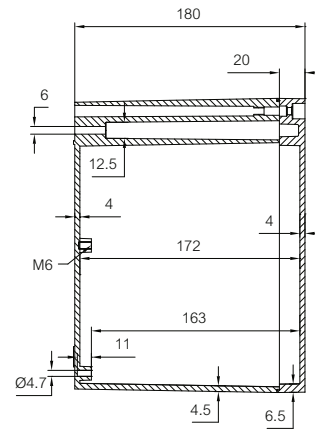
ALU 230x200x110-180



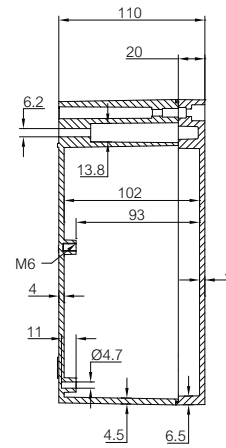
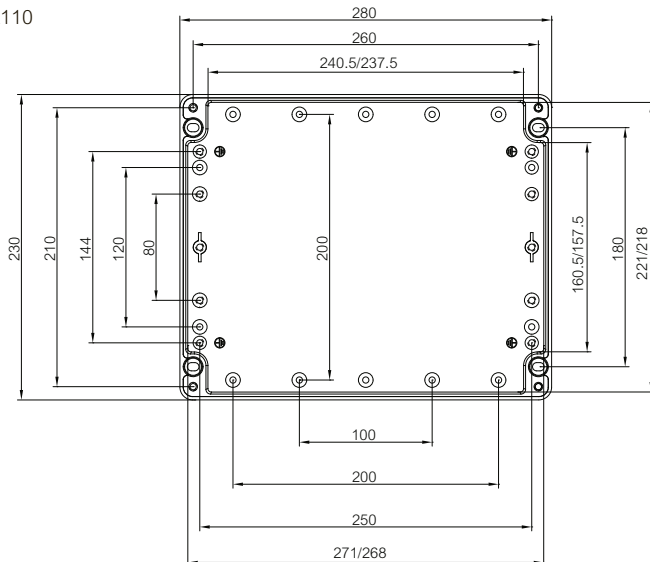
232011



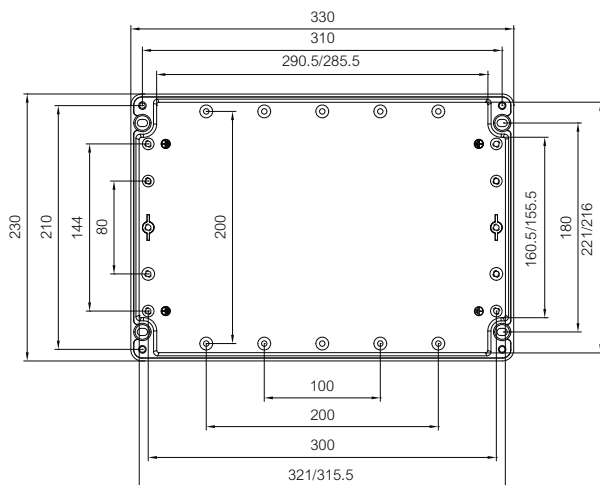
232018



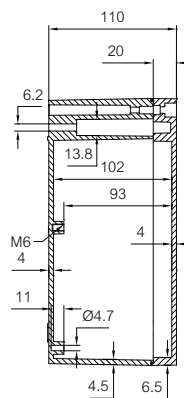
ALU 280x230x110



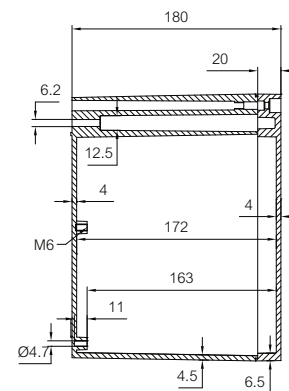
ALU 330x230x110-180



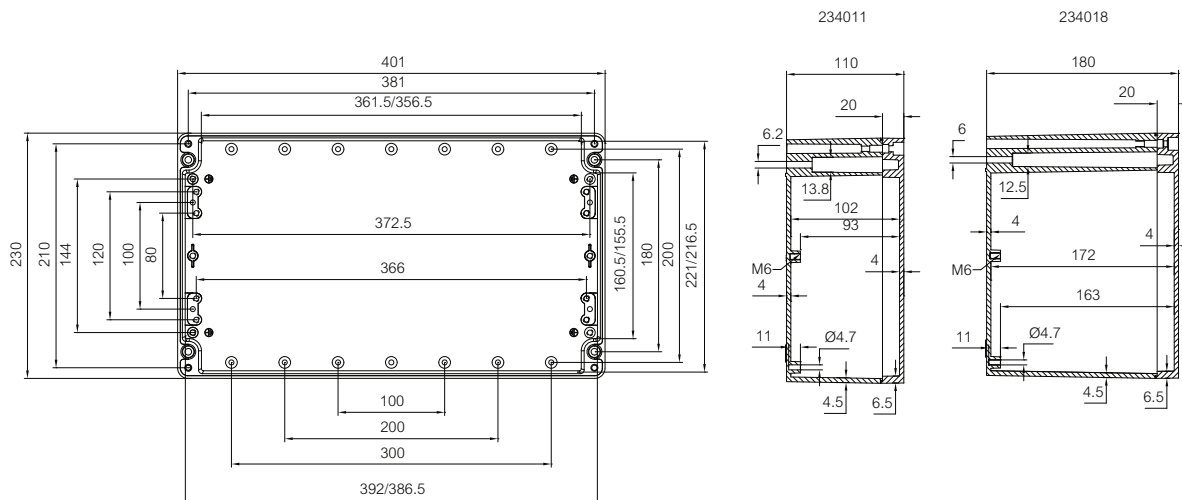
233311



233318

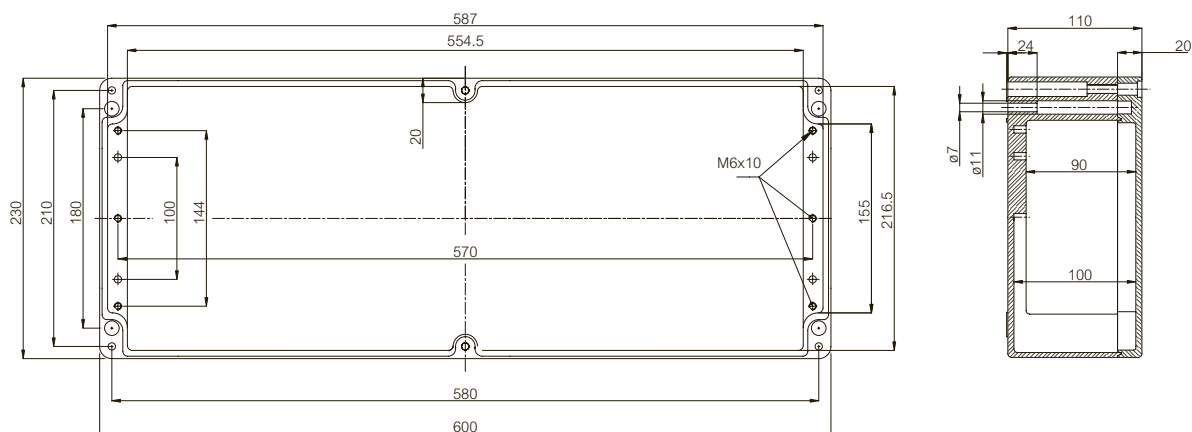


ALU 401x230x110-180

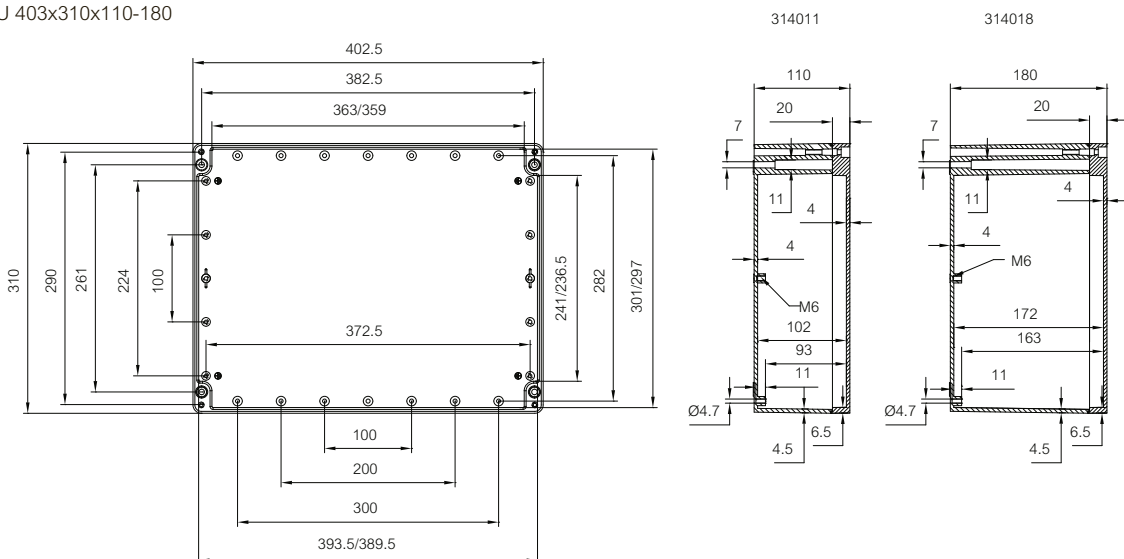


ALU 600x230x110

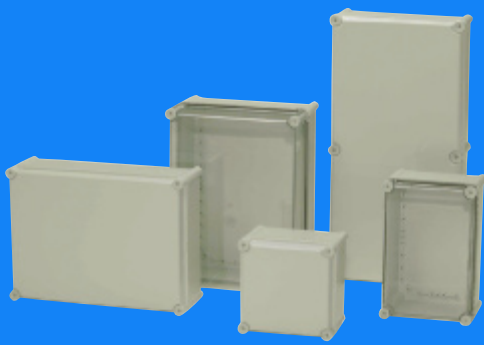
FIBOX ALUMINIUM AL 236011



ALU 403x310x110-180







## Solid protection

Solid is the superb all-rounder, both in and out of doors. If you need general protection, in everyday environments, Solid may be the all-purpose solution you are seeking for electronic and electrical components.

The ideal alternative to polyester enclosures.  
With hinged or screw cover/polycarbonate/ABS.



### Enclosure

- 1 Base
- 2 Cover, grey or transparent
- 3 Cover screws, various versions

### Accessories


- 4 Fastening lugs, 2 pcs. incl. screws
- 5 Mounting plate, electro-galvanised steel, stable and impact-resistant
- 6 DIN rail with mounting screws
- 7 Extension frame

# SOLID

Including: Base with screws for mounting plate cover with PUR gasket and polyamide cover screws.

PC: IP66/IP67, IK09/IK08

ABS: IP66/IP67, IK08

| Dimensions                                                                          | Order Symbol       | Code    | EAN Code                                                                                                | Description                                |
|-------------------------------------------------------------------------------------|--------------------|---------|---------------------------------------------------------------------------------------------------------|--------------------------------------------|
| <b>188x188x130 mm</b>                                                               |                    |         |                                                                                                         |                                            |
|    | PC 1919 13 G       | 5330359 | <br>6 418074 005403   | Enclosure, PC<br>Grey cover                |
|                                                                                     | PC 1919 13 G-2FSH  | 2539505 | <br>6 418074 052704   | Enclosure, PC<br>Grey hinged cover         |
|                                                                                     | PC 1919 13 T       | 5330059 | <br>6 418074 005397   | Enclosure, PC<br>Transparent cover         |
|                                                                                     | PC 1919 13 T-2FSH  | 2539535 | <br>6 418074 052827   | Enclosure, PC<br>Transparent hinged cover  |
|                                                                                     | ABS 1919 13 G      | 5880359 | <br>6 418074 039002   | Enclosure, ABS<br>Grey cover               |
|                                                                                     | ABS 1919 13 G-2FSH | 9880401 | <br>6 418074 053428  | Enclosure, ABS<br>Grey hinged cover        |
|                                                                                     | ABS 1919 13 T      | 5880059 | <br>6 418074 039125 | Enclosure, ABS<br>Transparent cover        |
|                                                                                     | ABS 1919 13 T-2FSH | 9880451 | <br>6 418074 053541 | Enclosure, ABS<br>Transparent hinged cover |
| <b>188x188x180 mm</b>                                                               |                    |         |                                                                                                         |                                            |
|  | PC 1919 18 G       | 5330369 | <br>6 418074 005427 | Enclosure, PC<br>Grey cover                |
|                                                                                     | PC 1919 18 G-2FSH  | 2539507 | <br>6 418074 052766 | Enclosure, PC<br>Grey hinged cover         |
|                                                                                     | PC 1919 18 T       | 5330069 | <br>6 418074 005410 | Enclosure, PC<br>Transparent cover         |
|                                                                                     | PC 1919 18 T-2FSH  | 2539537 | <br>6 418074 052889 | Enclosure, PC<br>Transparent hinged cover  |
|                                                                                     | ABS 1919 18 G      | 5880369 | <br>6 418074 039019 | Enclosure, ABS<br>Grey cover               |
|                                                                                     | ABS 1919 18 G-2FSH | 9880405 | <br>6 418074 053480 | Enclosure, ABS<br>Grey hinged cover        |



| Dimensions                                                                        | Order Symbol       | Code    | EAN Code                                                                                                | Description                                |
|-----------------------------------------------------------------------------------|--------------------|---------|---------------------------------------------------------------------------------------------------------|--------------------------------------------|
|                                                                                   | ABS 1919 18 T      | 5880069 | <br>6 418074 039132   | Enclosure, ABS<br>Transparent cover        |
|                                                                                   | ABS 1919 18 T-2FSH | 9880455 | <br>6 418074 061003   | Enclosure, ABS<br>Transparent hinged cover |
| <b>278x188x130 mm</b>                                                             |                    |         |                                                                                                         |                                            |
|  | PC 2819 13 G       | 5330360 | <br>6 418074 005441   | Enclosure, PC<br>Grey cover                |
|                                                                                   | PC 2819 13 G-2FSH  | 2539509 | <br>6 418074 052711   | Enclosure, PC<br>Grey hinged cover         |
|                                                                                   | PC 2819 13 T       | 5330060 | <br>6 418074 005434   | Enclosure, PC<br>Transparent cover         |
|                                                                                   | PC 2819 13 T-2FSH  | 2539539 | <br>6 418074 052834  | Enclosure, PC<br>Transparent hinged cover  |
|                                                                                   | ABS 2819 13 G      | 5880360 | <br>6 418074 039026 | Enclosure, ABS<br>Grey cover               |
|                                                                                   | ABS 2819 13 G-2FSH | 9996267 | <br>6 418074 053435 | Enclosure, ABS<br>Grey hinged cover        |
|                                                                                   | ABS 2819 13 T      | 5880060 | <br>6 418074 039149 | Enclosure, ABS<br>Transparent cover        |
|                                                                                   | ABS 2819 13 T-2FSH | 9880459 | <br>6 418074 053558 | Enclosure, ABS<br>Transparent hinged cover |

# SOLID

Including: Base with screws for mounting plate cover with PUR gasket and polyamide cover screws.

PC: IP66/IP67, IK09/IK08  
ABS: IP66/IP67, IK08

| Dimensions                                                                          | Order Symbol       | Code    | EAN Code                                                                                                | Description                                |
|-------------------------------------------------------------------------------------|--------------------|---------|---------------------------------------------------------------------------------------------------------|--------------------------------------------|
| <b>278x188x180 mm</b>                                                               |                    |         |                                                                                                         |                                            |
|    | PC 2819 18 G       | 5330370 | <br>6 418074 005465   | Enclosure, PC<br>Grey cover                |
|                                                                                     | PC 2819 18 G-2FSH  | 2539511 | <br>6 418074 052773   | Enclosure, PC<br>Grey hinged cover         |
|                                                                                     | PC 2819 18 T       | 5330070 | <br>6 418074 005458   | Enclosure, PC<br>Transparent cover         |
|                                                                                     | PC 2819 18 T-2FSH  | 2539541 | <br>6 418074 052896   | Enclosure, PC<br>Transparent hinged cover  |
|                                                                                     | ABS 2819 18 G      | 5880370 | <br>6 418074 039033   | Enclosure, ABS<br>Grey cover               |
|                                                                                     | ABS 2819 18 G-2FSH | 9996268 | <br>6 418074 053497  | Enclosure, ABS<br>Grey hinged cover        |
|                                                                                     | ABS 2819 18 T      | 5880070 | <br>6 418074 039156 | Enclosure, ABS<br>Transparent cover        |
|                                                                                     | ABS 2819 18 T-2FSH | 9880463 | <br>6 418074 061010 | Enclosure, ABS<br>Transparent hinged cover |
| <b>378x188x130 mm</b>                                                               |                    |         |                                                                                                         |                                            |
|  | PC 3819 13 G       | 5330361 | <br>6 418074 005489 | Enclosure, PC<br>Grey cover                |
|                                                                                     | PC 3819 13 G-2FSH  | 2539513 | <br>6 418074 052735 | Enclosure, PC<br>Grey hinged cover         |
|                                                                                     | PC 3819 13 T       | 5330061 | <br>6 418074 005472 | Enclosure, PC<br>Transparent cover         |
|                                                                                     | PC 3819 13 T-2FSH  | 2539543 | <br>6 418074 052858 | Enclosure, PC<br>Transparent hinged cover  |
|                                                                                     | ABS 3819 13 G      | 5880361 | <br>6 418074 039040 | Enclosure, ABS<br>Grey cover               |
|                                                                                     | ABS 3819 13 G-2FSH | 9880425 | <br>6 418074 053442 | Enclosure, ABS<br>Grey hinged cover        |
|                                                                                     | ABS 3819 13 T      | 5880061 | <br>6 418074 039163 | Enclosure, ABS<br>Transparent cover        |

| Dimensions                                                                          | Order Symbol       | Code    | EAN Code                                                                                             | Description                                |
|-------------------------------------------------------------------------------------|--------------------|---------|------------------------------------------------------------------------------------------------------|--------------------------------------------|
|                                                                                     | ABS 3819 13 T-2FSH | 9880475 |  6 418074 053565   | Enclosure, ABS<br>Transparent hinged cover |
| <b>378x188x180 mm</b>                                                               |                    |         |                                                                                                      |                                            |
|    | PC 3819 18 G       | 5330371 |  6 418074 005502   | Enclosure, PC<br>Grey cover                |
|                                                                                     | PC 3819 18 G-2FSH  | 2539515 |  6 418074 052797   | Enclosure, PC<br>Grey hinged cover         |
|                                                                                     | PC 3819 18 T       | 5330071 |  6 418074 005496   | Enclosure, PC<br>Transparent cover         |
|                                                                                     | PC 3819 18 T-2FSH  | 2539545 |  6 418074 052919   | Enclosure, PC<br>Transparent hinged cover  |
|                                                                                     | ABS 3819 18 G      | 5880371 |  6 418074 039057  | Enclosure, ABS<br>Grey cover               |
|                                                                                     | ABS 3819 18 G-2FSH | 9880429 |  6 418074 053503 | Enclosure, ABS<br>Grey hinged cover        |
|                                                                                     | ABS 3819 18 T      | 5880071 |  6 418074 039170 | Enclosure, ABS<br>Transparent cover        |
|                                                                                     | ABS 3819 18 T-2FSH | 9880479 |  6 418074 061027 | Enclosure, ABS<br>Transparent hinged cover |
| <b>278x278x130 mm</b>                                                               |                    |         |                                                                                                      |                                            |
|  | PC 2828 13 G       | 5330362 |  6 418074 005526 | Enclosure, PC<br>Grey cover                |
|                                                                                     | PC 2828 13 G-2FSH  | 2539517 |  6 418074 052728 | Enclosure, PC<br>Grey hinged cover         |
|                                                                                     | PC 2828 13 T       | 5330062 |  6 418074 005519 | Enclosure, PC<br>Transparent cover         |
|                                                                                     | PC 2828 13 T-2FSH  | 2539547 |  6 418074 052841 | Enclosure, PC<br>Transparent hinged cover  |
|                                                                                     | ABS 2828 13 G      | 5880362 |  6 418074 039064 | Enclosure, ABS<br>Grey cover               |
|                                                                                     | ABS 2828 13 G-2FSH | 9880417 |  6 418074 053459 | Enclosure, ABS<br>Grey hinged cover        |

# SOLID

Including: Base with screws for mounting plate cover with PUR gasket and polyamide cover screws.

PC: IP66/IP67, IK09/IK08  
ABS: IP66/IP67, IK08

| Dimensions                                                                          | Order Symbol       | Code    | EAN Code                                                                                             | Description                                |
|-------------------------------------------------------------------------------------|--------------------|---------|------------------------------------------------------------------------------------------------------|--------------------------------------------|
|                                                                                     | ABS 2828 13 T      | 5880062 |  6 418074 039187   | Enclosure, ABS<br>Transparent cover        |
|                                                                                     | ABS 2828 13 T-2FSH | 9880467 |  6 418074 060976   | Enclosure, ABS<br>Transparent hinged cover |
| <b>278x278x180 mm</b>                                                               |                    |         |                                                                                                      |                                            |
|    | PC 2828 18 G       | 5330372 |  6 418074 005540   | Enclosure, PC<br>Grey cover                |
|                                                                                     | PC 2828 18 G-2FSH  | 2539519 |  6 418074 052780   | Enclosure, PC<br>Grey hinged cover         |
|                                                                                     | PC 2828 18 T       | 5330072 |  6 418074 005533   | Enclosure, PC<br>Transparent cover         |
|                                                                                     | PC 2828 18 T-2FSH  | 2539549 |  6 418074 052902  | Enclosure, PC<br>Transparent hinged cover  |
|                                                                                     | ABS 2828 18 G      | 5880372 |  6 418074 039071 | Enclosure, ABS<br>Grey cover               |
|                                                                                     | ABS 2828 18 G-2FSH | 9880421 |  6 418074 053510 | Enclosure, ABS<br>Grey hinged cover        |
|                                                                                     | ABS 2828 18 T      | 5880072 |  6 418074 039194 | Enclosure, ABS<br>Transparent cover        |
|                                                                                     | ABS 2828 18 T-2FSH | 9880471 |  6 418074 061034 | Enclosure, ABS<br>Transparent hinged cover |
| <b>378x278x130 mm</b>                                                               |                    |         |                                                                                                      |                                            |
|  | PC 3828 13 G       | 5330363 |  6 418074 005564 | Enclosure, PC<br>Grey cover                |
|                                                                                     | PC 3828 13 G-2FSH  | 2539521 |  6 418074 052742 | Enclosure, PC<br>Grey hinged cover         |
|                                                                                     | PC 3828 13 T       | 5330063 |  6 418074 005557 | Enclosure, PC<br>Transparent cover         |
|                                                                                     | PC 3828 13 T-2FSH  | 2539551 |  6 418074 052865 | Enclosure, PC<br>Transparent hinged cover  |
|                                                                                     | ABS 3828 13 G      | 5880363 |  6 418074 039088 | Enclosure, ABS<br>Grey cover               |

| Dimensions                                                                          | Order Symbol       | Code    | EAN Code                                                                                                | Description                                |
|-------------------------------------------------------------------------------------|--------------------|---------|---------------------------------------------------------------------------------------------------------|--------------------------------------------|
|                                                                                     | ABS 3828 13 G-2FSH | 9996276 | <br>6 418074 053466   | Enclosure, ABS<br>Grey hinged cover        |
|                                                                                     | ABS 3828 13 T      | 5880063 | <br>6 418074 039200   | Enclosure, ABS<br>Transparent cover        |
|                                                                                     | ABS 3828 13 T-2FSH | 9996269 | <br>6 418074 060983   | Enclosure, ABS<br>Transparent hinged cover |
| <b>378x278x180 mm</b>                                                               |                    |         |                                                                                                         |                                            |
|   | PC 3828 18 G       | 5330373 | <br>6 418074 005588   | Enclosure, PC<br>Grey cover                |
|                                                                                     | PC 3828 18 G-2FSH  | 2539523 | <br>6 418074 052803   | Enclosure, PC<br>Grey hinged cover         |
|                                                                                     | PC 3828 18 T       | 5330073 | <br>6 418074 005571  | Enclosure, PC<br>Transparent cover         |
|                                                                                     | PC 3828 18 T-2FSH  | 2539553 | <br>6 418074 052926 | Enclosure, PC<br>Transparent hinged cover  |
|                                                                                     | ABS 3828 18 G      | 5880373 | <br>6 418074 039095 | Enclosure, ABS<br>Grey cover               |
|                                                                                     | ABS 3828 18 G-2FSH | 9996275 | <br>6 418074 053527 | Enclosure, ABS<br>Grey hinged cover        |
|                                                                                     | ABS 3828 18 T      | 5880073 | <br>6 418074 039217 | Enclosure, ABS<br>Transparent cover        |
|                                                                                     | ABS 3828 18 T-2FSH | 9996270 | <br>6 418074 061041 | Enclosure, ABS<br>Transparent hinged cover |
| <b>558x278x130 mm</b>                                                               |                    |         |                                                                                                         |                                            |
|  | PC 5628 13 G       | 5330364 | <br>6 418074 005601 | Enclosure, PC<br>Grey cover                |
|                                                                                     | PC 5628 13 G-3FSH  | 2539525 | <br>6 418074 052759 | Enclosure, PC<br>Grey hinged cover         |
|                                                                                     | PC 5628 13 T       | 5330064 | <br>6 418074 005595 | Enclosure, PC<br>Transparent cover         |
|                                                                                     | PC 5628 13 T-3FSH  | 2539555 | <br>6 418074 052872 | Enclosure, PC<br>Transparent hinged cover  |

# SOLID

Including: Base with screws for mounting plate cover with PUR gasket and polyamide cover screws.

PC: IP66/IP67, IK09/IK08  
ABS: IP66/IP67, IK08

| Dimensions                                                                         | Order Symbol       | Code    | EAN Code                                                                                                | Description                                |
|------------------------------------------------------------------------------------|--------------------|---------|---------------------------------------------------------------------------------------------------------|--------------------------------------------|
|                                                                                    | ABS 5628 13 G      | 5880364 | <br>6 418074 039101   | Enclosure, ABS<br>Grey cover               |
|                                                                                    | ABS 5628 13 G-3FSH | 9880441 | <br>6 418074 053473   | Enclosure, ABS<br>Grey hinged cover        |
|                                                                                    | ABS 5628 13 T      | 5880064 | <br>6 418074 039224   | Enclosure, ABS<br>Transparent cover        |
|                                                                                    | ABS 5628 13 T-3FSH | 9996271 | <br>6 418074 060990   | Enclosure, ABS<br>Transparent hinged cover |
| <b>558x378x180 mm</b>                                                              |                    |         |                                                                                                         |                                            |
|  | PC 5638 18 G       | 5330365 | <br>6 418074 005625   | Enclosure, PC<br>Grey cover                |
|                                                                                    | PC 5638 18 G-3FSH  | 2539527 | <br>6 418074 052810  | Enclosure, PC<br>Grey hinged cover         |
|                                                                                    | PC 5638 18 T       | 5330065 | <br>6 418074 005618 | Enclosure, PC<br>Transparent cover         |
|                                                                                    | PC 5638 18 T-3FSH  | 2539557 | <br>6 418074 052933 | Enclosure, PC<br>Transparent hinged cover  |
|                                                                                    | ABS 5638 18 G      | 5880365 | <br>6 418074 039118 | Enclosure, ABS<br>Grey cover               |
|                                                                                    | ABS 5638 18 G-3FSH | 9880445 | <br>6 418074 053534 | Enclosure, ABS<br>Grey hinged cover        |
|                                                                                    | ABS 5638 18 T      | 5880065 | <br>6 418074 039231 | Enclosure, ABS<br>Transparent cover        |
|                                                                                    | ABS 5638 18 T-3FSH | 9996272 | <br>6 418074 061058 | Enclosure, ABS<br>Transparent hinged cover |

## SOLID technical information

| Property                                             | Polycarbonate (PC)                            | ABS                       |
|------------------------------------------------------|-----------------------------------------------|---------------------------|
| Ingress Protection (EN 60529)                        | IP 66/IP 67                                   | IP 66/IP 67               |
| Impact Resistance (EN 62262)                         | IK 08 (side surface)<br>IK 09 (front surface) | IK 08                     |
| Temperature Range Celsius (short term)               | -40° . . .120°C                               | -40° . . .80°C            |
| Temperature Range Celsius (continuous)               | -40° . . .80°C                                | -40° . . .60°C            |
| Temperature Range Fahrenheit (short term)            | -40° . . .250°F                               | -40° . . .175°F           |
| Temperature Range Fahrenheit (continuous)            | -40° . . .175°F                               | -40° . . .140°F           |
| Electrical Insulation                                | Totally insulated ☐                           | Totally insulated ☐       |
| Light Grey Parts Colour                              | RAL 7035<br>Industry Grey                     | RAL 7035<br>Industry Grey |
| Transparent Clear PC Cover                           | Clear transparent                             | Clear transparent         |
| Cover Screws                                         | RAL 7035                                      | RAL 7035                  |
| Cover Screws                                         | Polyamide (PA)                                | Polyamide (PA)            |
| Gasket                                               | PUR                                           | PUR                       |
| Enclosure Flammability Rating                        | UL 746C 5V*                                   |                           |
| Glow Wire Test (IEC 695-2-1) Self-extinguishing (PC) | 960°C                                         | 650°C                     |
| Non-toxicity                                         | Halogen Free                                  | Halogen Free              |
| UV resistance                                        | UL 508<br>720 hours in "Weatherometer"        |                           |
| Chemical Resistance**                                | Good                                          | Good                      |

## Confirmity to standards

**USA** Enclosures for Electrical Equipment\*

**Canada** Industrial Control Equipment Enclosures for Electrical Equipment/ULc\*

**Europe** Empty enclosures for low-voltage switchgear and controlgear assemblies EN 62208:2003

**Europe** Safety of Information Technology Equipment EN 60950 RoHS directive 2002/95/EC

**Russia** GostR - Gost Russian certificate of conformity

\*UL label on request





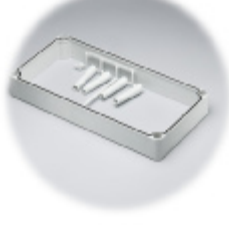


Data subject to change without notice.






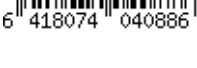
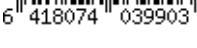
\*\* Consult separate raw material data for more detailed information

|                                                                                   | Order symbol          | Code    | Dimensions | EAN code                                                                                                | Description                                                                 |
|-----------------------------------------------------------------------------------|-----------------------|---------|------------|---------------------------------------------------------------------------------------------------------|-----------------------------------------------------------------------------|
| <b>Mounting plates (Galvanized steel, sheet thickness 1,5 mm)</b>                 |                       |         |            |                                                                                                         |                                                                             |
|  | EKHVT                 | 3770548 | 148x148    | <br>6 418074 039743   | Mounting plate, for enclosures:<br>190x190x130, 190x190x180                 |
|                                                                                   | EKJVT                 | 3770549 | 148x238    | <br>6 418074 039750   | Mounting plate, for enclosures:<br>280x190x130, 280x190x180                 |
|                                                                                   | EKMVT                 | 3770550 | 148x338    | <br>6 418074 039767   | Mounting plate, for enclosures:<br>380x190x130, 380x190x180                 |
|                                                                                   | EKOVT                 | 3770551 | 238x238    | <br>6 418074 039774   | Mounting plate, for enclosures:<br>280x280x130, 280x280x180                 |
|                                                                                   | EKPVT                 | 3770552 | 238x338    | <br>6 418074 039781   | Mounting plate, for enclosures:<br>380x280x130, 380x280x180,<br>380x280x230 |
|                                                                                   | EKTVT                 | 3770553 | 238x518    | <br>6 418074 039798  | Mounting plate, for enclosures:<br>560x280x130                              |
|                                                                                   | EKUVT                 | 3770554 | 338x518    | <br>6 418074 039804 | Mounting plate, for enclosures:<br>560x380x180                              |
|                                                                                   | PT 60 x 11<br>PH2 SET | 3570580 |            | <br>6 418074 031426 | Mounting screw set (4pcs)<br>For Ø5,2 mm (mounting) pods                    |
| <b>Mounting plates Pertinax 4mm</b>                                               |                       |         |            |                                                                                                         |                                                                             |
|                                                                                   | EKHXT                 | 3770748 | 148x148    | <br>6 418074 029362 | Mounting plate, for enclosures:<br>190x190x130, 190x190x180                 |
|                                                                                   | EKJXT                 | 3770749 | 148x240    | <br>6 418074 029379 | Mounting plate, for enclosures:<br>280x190x130, 280x190x180                 |
|                                                                                   | EKMXT                 | 3770750 | 148x340    | <br>6 418074 029386 | Mounting plate, for enclosures:<br>380x190x130, 380x190x180                 |
|                                                                                   | EKOXT                 | 3770751 | 238x238    | <br>6 418074 029393 | Mounting plate, for enclosures:<br>280x280x130, 280x280x180                 |
|                                                                                   | EKPXT                 | 3770752 | 238x338    | <br>6 418074 029409 | Mounting plate, for enclosures:<br>380x280x130, 380x280x180                 |
|                                                                                   | EKTXT                 | 3770753 | 236x518    | <br>6 418074 029416 | Mounting plate, for enclosures:<br>560x280x130                              |









|                                                                                     | Order symbol          | Code    | Dimensions | EAN code                                                                                                | Description                                                                                                                     |
|-------------------------------------------------------------------------------------|-----------------------|---------|------------|---------------------------------------------------------------------------------------------------------|---------------------------------------------------------------------------------------------------------------------------------|
|                                                                                     | EKUXT                 | 3770754 | 339x518    | <br>6 418074 029423   | Mounting plate, for enclosures:<br>560x380x180                                                                                  |
| <b>Mounting plates for kWh-meter</b>                                                |                       |         |            |                                                                                                         |                                                                                                                                 |
|    | EKPM2                 | 3770839 | 238x338    | <br>6 418074 040831   | 338 x 238<br>for kWh-meter                                                                                                      |
|                                                                                     | M6x16                 | 3570678 |            | <br>6 418074 031570   | Mounting screw<br>for mounting the kWh meter                                                                                    |
| <b>DIN-35 Mounting rails (Galvanized steel, rail height 7,5 mm)</b>                 |                       |         |            |                                                                                                         |                                                                                                                                 |
|  | EKV 12                | 3770647 | 160x35     | <br>6 418074 031969  | DIN-35 Mounting rail, for<br>enclosures:<br>190x190x130-380x190x180                                                             |
|                                                                                     | EKV 22                | 3770648 | 235x35     | <br>6 418074 031976 | DIN-35 Mounting rail, for<br>enclosures:<br>280x280x130-560x280x130                                                             |
|                                                                                     | EKV 32                | 3770649 | 335x35     | <br>6 418074 031983 | DIN-35 Mounting rail, for<br>enclosures:<br>380x190x130, 380x190x180,<br>380x280x130, 380x280x180,<br>380x280x230, 560x380x180, |
|                                                                                     | EKV 50                | 3770699 | 500x35     | <br>6 418074 030405 | DIN-35 Mounting rail, for<br>enclosures:<br>560x280x130                                                                         |
| <b>Mounting rail accessories</b>                                                    |                       |         |            |                                                                                                         |                                                                                                                                 |
|                                                                                     | MSM PT 5x10           | 4712049 |            | <br>6 418074 032577 | Mounting screw                                                                                                                  |
|                                                                                     | PT 60 x 11<br>PH2 SET | 3570580 |            | <br>6 418074 031426 | Mounting screw set (4pcs)<br>For Ø5,2 mm (mounting) pads                                                                        |
|                                                                                     | MB 10686              | 3730686 |            | <br>6 418074 031181 | Set of 2 spacers including screws<br>(15/34 mm)                                                                                 |

|                                                                                     | Order symbol | Code    | Dimensions | EAN code                                                                                                | Description                                                                  |
|-------------------------------------------------------------------------------------|--------------|---------|------------|---------------------------------------------------------------------------------------------------------|------------------------------------------------------------------------------|
| <b>DIN rail frames</b>                                                              |              |         |            |                                                                                                         |                                                                              |
|    | MS PROF 19   | 3510840 |            | <br>6 418074 040480   | DIN rail frames                                                              |
|                                                                                     | MS PROF 28   | 3510841 |            | <br>6 418074 040497   | DIN rail frames                                                              |
|                                                                                     | MS PROF 38   | 3510842 |            | <br>6 418074 031310   | DIN rail frames                                                              |
|                                                                                     | MS PROF 56   | 3510843 |            | <br>6 418074 040503   | DIN rail frames                                                              |
|                                                                                     | EKT PROF 56  | 3510844 |            | <br>6 418074 031327   | DIN terminal rail                                                            |
| <b>Extension frames (Polycarbonate, PUR Gasket)</b>                                 |              |         |            |                                                                                                         |                                                                              |
|  | EKJZR        | 3730153 | 188x278    | <br>6 418074 005724 | Extension frame, for enclosures:<br>280x190x130, 280x190x180                 |
|                                                                                     | EKMZR        | 3730152 | 188x378    | <br>6 418074 005731 | Extension frame, for enclosures:<br>380x190x130, 380x190x180                 |
|                                                                                     | EKOZR        | 3730093 | 278x278    | <br>6 418074 005748 | Extension frame, for enclosures:<br>280x280x130, 280x280x180                 |
|                                                                                     | EKPZR        | 3730141 | 278x378    | <br>6 418074 005755 | Extension frame, for enclosures:<br>380x280x130, 380x280x180,<br>380x280x230 |
|                                                                                     | EKTZR        | 3730142 | 278x558    | <br>6 418074 005762 | Extension frame, for enclosures:<br>560x280x130                              |
|                                                                                     | EKUZR        | 3730323 | 378x558    | <br>6 418074 005779 | Extension frame, for enclosures:<br>560x380x180                              |

|                                                                                     | Order symbol    | Code    | Dimensions | EAN code                                                                                                | Description                                                      |
|-------------------------------------------------------------------------------------|-----------------|---------|------------|---------------------------------------------------------------------------------------------------------|------------------------------------------------------------------|
| <b>Front plates with DIN-openings</b>                                               |                 |         |            |                                                                                                         |                                                                  |
|    | FP12-2819       | 3770765 | 190x280    | <br>6 418074 006318   | Front plate<br>12 modules                                        |
|                                                                                     | FP12-2828       | 3770756 | 280x280    | <br>6 418074 006325   | Front plate<br>12 modules                                        |
|                                                                                     | FP12x2-2828     | 3770766 | 280x280    | <br>6 418074 006332   | Front plate<br>2x12 modules                                      |
|                                                                                     | FP12x2-2838     | 3770769 | 380x280    | <br>6 418074 006349   | Front plate<br>2x12 modules                                      |
|                                                                                     | FP12x3-2838     | 3770767 | 380x280    | <br>6 418074 006356   | Front plate<br>3x12 modules                                      |
|                                                                                     | FP12x3-2856     | 3770768 | 560x280    | <br>6 418074 006363  | Front plate<br>3x12 modules                                      |
| <b>MB FP88 and MB FP882 spacers</b>                                                 |                 |         |            |                                                                                                         |                                                                  |
|  | MB FP88         | 3530764 |            | <br>6 418074 036001 | Distance spacer for front plates                                 |
|                                                                                     | MB FP882        | 3530771 |            | <br>6 418074 035868 | Distance spacer for front plates                                 |
|                                                                                     | MB 26050        | 5026050 |            | <br>6 418074 034830 | Cover plate for 12 modules<br>(1 module = 17,5 mm)               |
|                                                                                     | MB 26069SET     | 5126029 |            | <br>6 418074 031747 | N/PE terminal bracket set<br>incl. 2 pcs of terminals (16-holes) |
|                                                                                     | MS BAR<br>CLAMP | 4712232 |            | <br>6 418074 040886 | Terminal bus-bar clamp, 25 mm <sup>2</sup>                       |
|                                                                                     | MR 26145        | 5026145 |            | <br>6 418074 039903 | Terminal bus-bar clamp, 35 mm <sup>2</sup>                       |

|                                                                                    | Order symbol    | Code    | Dimensions | EAN code                                                                                                | Description                                       |
|------------------------------------------------------------------------------------|-----------------|---------|------------|---------------------------------------------------------------------------------------------------------|---------------------------------------------------|
| <b>PC front plates for FX20 SET</b>                                                |                 |         |            |                                                                                                         |                                                   |
|   | FX FP 8-2819    | 3770849 | 190x280    | <br>6 418074 030108   | Front plate, blue, thickness 2 mm<br>8 modules    |
|                                                                                    | FX FP 12-2828   | 3770850 | 280x280    | <br>6 418074 030115   | Front plate, blue, thickness 2 mm<br>12 modules   |
|                                                                                    | FX FP 2*12-2838 | 3770851 | 280x380    | <br>6 418074 030290   | Front plate, blue, thickness 2 mm<br>2x12 modules |
|                                                                                    | FX FP 3*12-2856 | 3770852 | 280x560    | <br>6 418074 030313   | Front plate, blue, thickness 2 mm<br>3x12 modules |
| <b>Corner stud FX20 SET</b>                                                        |                 |         |            |                                                                                                         |                                                   |
|  | FX20 SET        | 3570791 |            | <br>6 418074 035165   | Corner stud set (4 pcs)<br>incl. screws           |
|                                                                                    | MB 10791        | 3730791 |            | <br>6 418074 010544 | Corner stud (separate)                            |
|                                                                                    | MB 10792        | 3730792 |            | <br>6 418074 010551 | Front plate screw                                 |
|                                                                                    | MS BAR 2+18     | 4712199 | 7x10       | <br>6 418074 040855 | PE/N terminal bus-bar 25+ 10 mm <sup>2</sup>      |
| <b>PC front plates for MB 60MM bus-bar holder</b>                                  |                 |         |            |                                                                                                         |                                                   |
|                                                                                    | MB FP 2828      | 3770853 | 280x280    | <br>6 418074 031341 | Front plate<br>Blue, thickness 2 mm               |
|                                                                                    | MB FP 3828      | 3770854 | 280x380    | <br>6 418074 031358 | Front plate<br>Blue, thickness 2 mm               |
|                                                                                    | MB FP 5628      | 3770855 | 280x560    | <br>6 418074 031372 | Front plate<br>Blue, thickness 2 mm               |

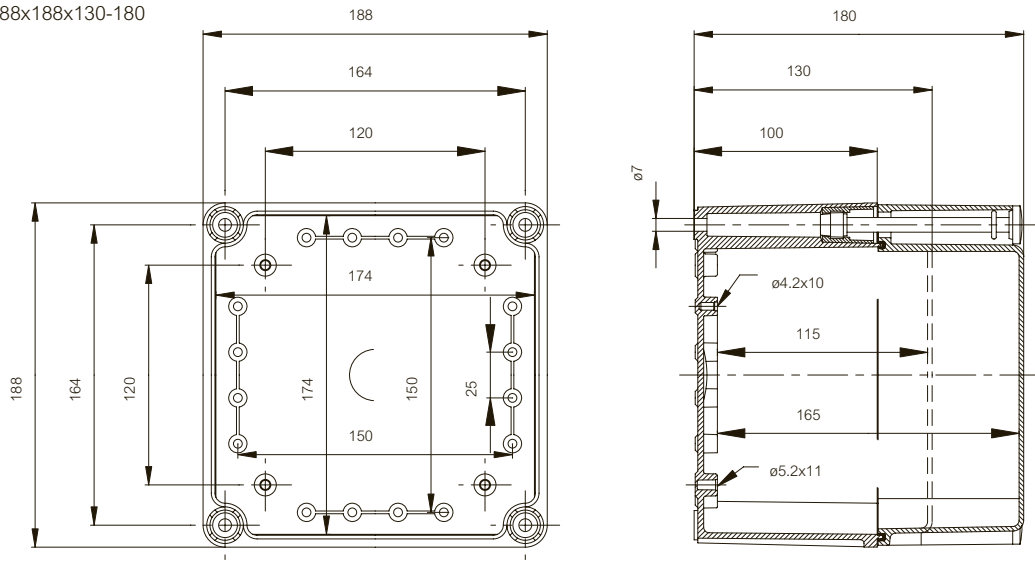
|                                                                                     | Order symbol | Code    | Dimensions | EAN code                                                                                                | Description                                                                  |
|-------------------------------------------------------------------------------------|--------------|---------|------------|---------------------------------------------------------------------------------------------------------|------------------------------------------------------------------------------|
| <b>60 MM Bus-Bar</b>                                                                |              |         |            |                                                                                                         |                                                                              |
|    | MB 60MM      | 3532385 |            | <br>6 418074 031600   | Bus-bar holder set<br>incl. screws and support                               |
|                                                                                     | MB 10792     | 3730792 |            | <br>6 418074 010551   | Front plate screw                                                            |
| <b>Hinges and wall mounting</b>                                                     |              |         |            |                                                                                                         |                                                                              |
|   | MB 10622     | 3530622 |            | <br>6 418074 039644   | PC Hinge set, 1 pair<br>incl. screws and drill template                      |
|                                                                                     | MB 10547     | 3570547 |            | <br>6 418074 031280  | PA Hinge set, 1 pair<br>incl. screws                                         |
|                                                                                     | EKZKS 1      | 3570570 |            | <br>6 418074 009883 | Hinge set, metal                                                             |
|                                                                                     | MB 10523     | 3560523 |            | <br>6 418074 031174 | Blind plug for cover corner on hinged<br>side when cover screws are not used |
|                                                                                     | MB 10674     | 3770674 |            | <br>6 418074 039651 | Wall fastening lug (4 pcs)                                                   |
| <b>Cover screws</b>                                                                 |              |         |            |                                                                                                         |                                                                              |
|  | HS 10255     | 3540255 |            | <br>6 418074 030672 | Wing head<br>for 30 mm cover                                                 |
|                                                                                     | CS 10256     | 3540256 |            | <br>6 418074 030689 | Cross head<br>for 30/100 mm cover                                            |
|                                                                                     | SS 10535     | 3540535 |            | <br>6 418074 030702 | Slotted head (sealable)<br>for 30 mm cover                                   |
|                                                                                     | SS 10544     | 3570544 |            | <br>6 418074 031273 | Slotted head (quick-lock)<br>for 30/100 mm cover                             |
|                                                                                     | HS 10533     | 3570533 |            | <br>6 418074 031266 | Wing head (quick-lock)<br>for 30 mm cover                                    |
|                                                                                     | HS 10532     | 3570532 |            | <br>6 418074 031259 | Quick-locking wing head (hinged)<br>for 30 mm cover                          |

|                                                                                     | Order symbol | Code    | Dimensions | EAN code                                                                                                | Description                                                      |
|-------------------------------------------------------------------------------------|--------------|---------|------------|---------------------------------------------------------------------------------------------------------|------------------------------------------------------------------|
|                                                                                     | MB 10534     | 3540534 |            | <br>6 418074 030696   | Threaded bushing to be ordered separately with quick-lock screws |
|                                                                                     | SS 10563     | 3540563 |            | <br>6 418074 030733   | Cross head for 80 mm cover                                       |
|                                                                                     | HS 10562     | 3540562 |            | <br>6 418074 030726   | Wing head for 80 mm cover                                        |
|                                                                                     | DS 10581     | 3540581 |            | <br>6 418074 030757   | Triangle head for 30/80/100 mm cover                             |
|                                                                                     | MB 10673     | 3570673 |            | <br>6 418074 031563   | Triangular key for cover screw DS 10581                          |
|                                                                                     | SS 10256 N   | 3510256 |            | <br>6 418074 030023  | Slotted head for 30 mm cover                                     |
|                                                                                     | HS 10255 N   | 3510255 |            | <br>6 418074 030016 | Wing head for 30 mm cover                                        |
|                                                                                     | SS 10256-4   | 3544256 |            | <br>6 418074 030856 | Set of 4 cross head screws for 30/100 mm cover                   |
|                                                                                     | SS 10256-6   | 3546256 |            | <br>6 418074 030979 | Set of 6 cross head screws for 30/100 mm cover                   |
|                                                                                     | SS 10563-4   | 3544563 |            | <br>6 418074 030870 | Set of 4 cross head screws for 80 mm cover                       |
| <b>Spacers for corners of the base</b>                                              |              |         |            |                                                                                                         |                                                                  |
|  | MR 10726     | 5070726 |            | <br>6 418074 032089 | Spacer 15 mm M6 self-cutting                                     |
|                                                                                     | MR 10727     | 5070727 |            | <br>6 418074 032096 | Spacer 20 mm M6 self-cutting                                     |
|                                                                                     | MR 10728     | 5070728 |            | <br>6 418074 032102 | Spacer 30 mm M6 self-cutting                                     |
|                                                                                     | MR 10729     | 5070729 |            | <br>6 418074 032119 | Spacer 54 mm M6 self-cutting                                     |
|                                                                                     | HR 10        | 3570655 |            | <br>6 418074 040596 | Extension for MR spacer 10 mm, M6/M6                             |

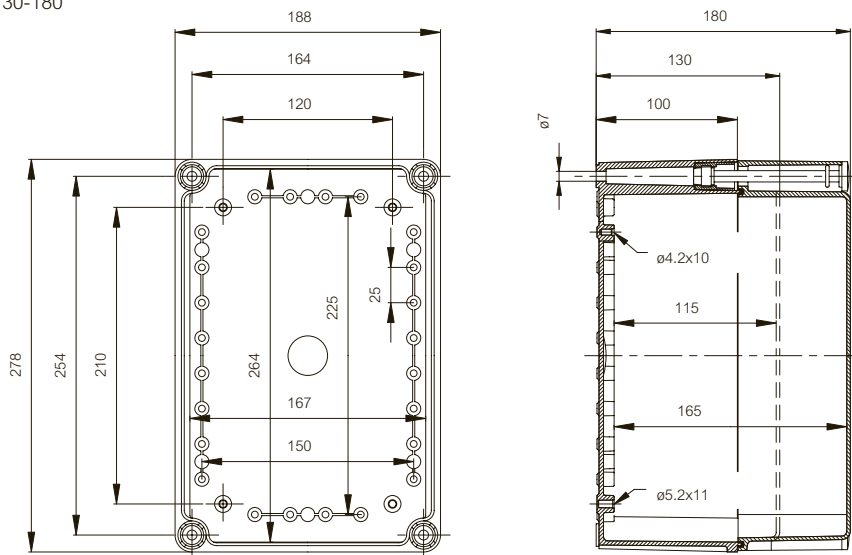
|                                                                                     | Order symbol | Code    | Dimensions | EAN code                                                                                                | Description                               |
|-------------------------------------------------------------------------------------|--------------|---------|------------|---------------------------------------------------------------------------------------------------------|-------------------------------------------|
|                                                                                     | HR 15        | 3570656 |            | <br>6 418074 031501   | Extension for MR spacer<br>15 mm, M6/M6   |
|                                                                                     | HR 20        | 3570657 |            | <br>6 418074 031518   | Extension for MR spacer<br>20 mm, M6/M6   |
|                                                                                     | HR 30        | 3570658 |            | <br>6 418074 031525   | Extension for MR spacer<br>30 mm, M6/M6   |
| <b>Spacers for middle mounting pods</b>                                             |              |         |            |                                                                                                         |                                           |
|                                                                                     | FA 12053     | 4712053 |            | <br>6 418074 032171   | Spacer 14 mm<br>M5 self-cutting           |
|                                                                                     | FA 12052     | 4712052 |            | <br>6 418074 032164   | Spacer 42 mm<br>M5 self-cutting           |
| <b>Key-Lock Set</b>                                                                 |              |         |            |                                                                                                         |                                           |
|  | MB 10597     | 3570597 |            | <br>6 418074 039668 | Lock and two keys<br>for 30mm covers only |

## Dimensional drawings

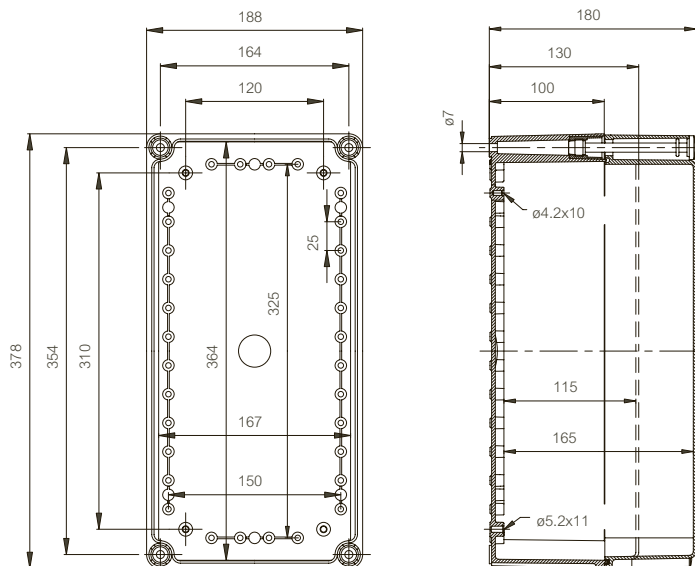
SOLID 188x188x130-180



SOLID 278x188x130-180

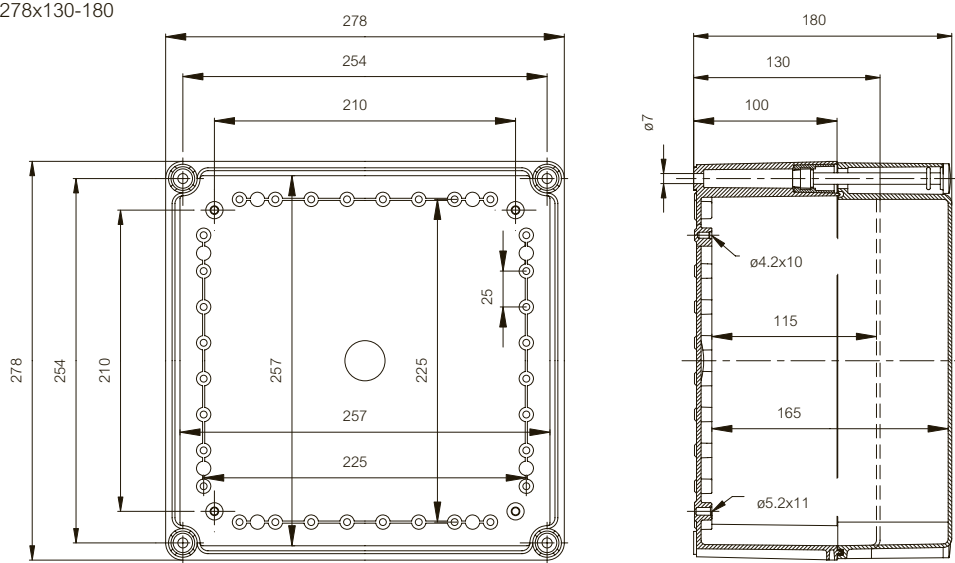


SOLID 378x188x130-180

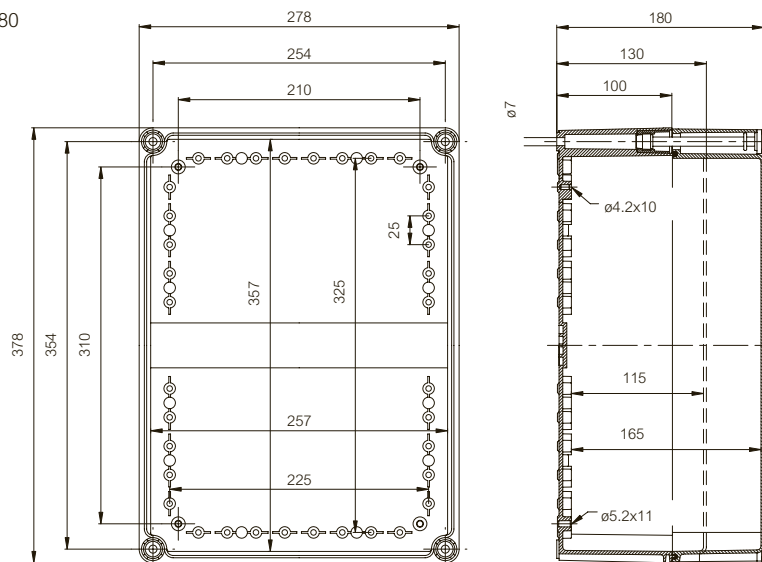




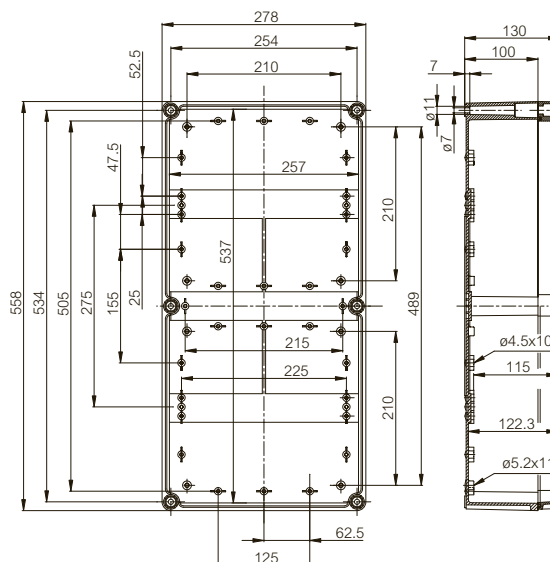
SOLID 278x278x130-180



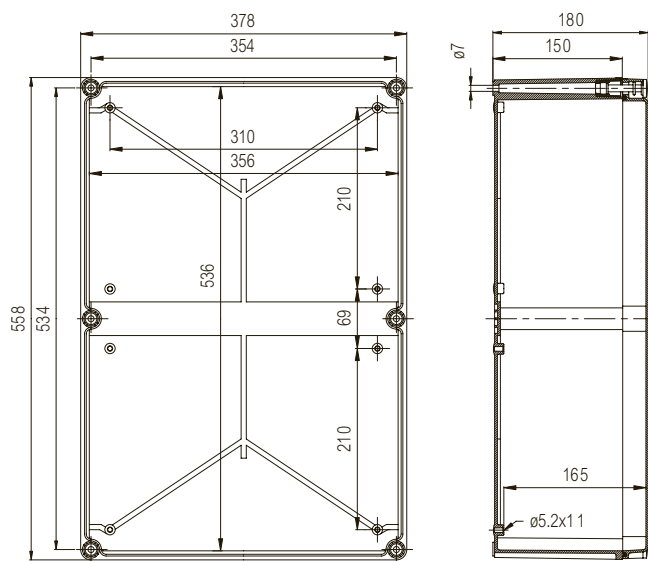
SOLID 378x278x130-180



SOLID 558x278x130



SOLID 558x378x180





## Brings interchangeability

Euronord enclosures come in over 160 standard sizes, meaning huge interchangeability with the products you may already have. They also provide generous room and multiple mounting options, safeguarding electronics that meet exacting, Northern European standards.

Secure protection for switch gear and control gear.



### Enclosure

- 1 Base
- 2 Cover, grey or transparent
- 3 Rapidly installed QuickLock cover screws

### Accessories

- 3 Fastening lugs, 4 pcs. incl. screws
- 4 Mounting plate, electro-galvanised steel resistance to corrosion
- 5 DIN rail  
Different sizes TS 15 / TS 35

# EURONORD PC/ABS

Including: Base with screws for mounting plate/DIN-rail, cover with PUR gasket and ferritic stainless steel cover screws.

PC: IP66/IP67, IK08/IK07  
ABS IP66/IP67, IK07

| Dimensions                                                                          | Order Symbol | Code    | EAN Code                                                                                                | Description                                        |
|-------------------------------------------------------------------------------------|--------------|---------|---------------------------------------------------------------------------------------------------------|----------------------------------------------------|
| <b>52x50x40 mm</b>                                                                  |              |         |                                                                                                         |                                                    |
|    | PC 050504    | 7032500 | <br>6 418074 010629   | Enclosure, PC<br>Grey cover                        |
|                                                                                     | AB 050504    | 7083500 | <br>6 418074 010612   | Enclosure, ABS<br>Grey cover                       |
| <b>65x50x45 mm</b>                                                                  |              |         |                                                                                                         |                                                    |
|   | PC 050705    | 7032520 | <br>6 418074 003607   | Enclosure, PC<br>Grey cover                        |
|                                                                                     | PCT 050705   | 7022521 | <br>6 418074 003720  | Enclosure, PC<br>Transparent cover                 |
|                                                                                     | AB 050705    | 7083520 | <br>6 418074 003485 | Enclosure, ABS<br>Grey cover                       |
| <b>98x66x41 mm</b>                                                                  |              |         |                                                                                                         |                                                    |
|  | PC 071004    | 7032530 | <br>6 418074 058300 | Enclosure, PC<br>Grey cover                        |
|                                                                                     | PCQ 071004   | 7033531 | <br>6 418074 058980 | Enclosure, PC<br>Grey cover (quick-locking)        |
|                                                                                     | PCT 071004   | 7022531 | <br>6 418074 058515 | Enclosure, PC<br>Transparent cover                 |
|                                                                                     | PCTQ 071004  | 7022530 | <br>6 418074 059062 | Enclosure, PC<br>Transparent cover (quick-locking) |
|                                                                                     | AB 071004    | 7083530 | <br>6 418074 058720 | Enclosure, ABS<br>Grey cover                       |
|                                                                                     | ABQ 071004   | 7083531 | <br>6 418074 059147 | Enclosure, ABS<br>Grey cover (quick-locking)       |

# EURONORD PC/ABS

Including: Base with screws for mounting plate/DIN-rail, cover with PUR gasket and ferritic stainless steel cover screws.

PC: IP66/IP67, IK08/IK07  
ABS IP66/IP67, IK07

| Dimensions                                                                          | Order Symbol | Code    | EAN Code                                                                                                | Description                        |
|-------------------------------------------------------------------------------------|--------------|---------|---------------------------------------------------------------------------------------------------------|------------------------------------|
| <b>82x80x55 mm</b>                                                                  |              |         |                                                                                                         |                                    |
|    | PC 080806    | 7032540 | <br>6 418074 058317   | Enclosure, PC<br>Grey cover        |
|                                                                                     | PCT 080806   | 7022541 | <br>6 418074 058522   | Enclosure, PC<br>Transparent cover |
|                                                                                     | AB 080806    | 7083540 | <br>6 418074 058737   | Enclosure, ABS<br>Grey cover       |
| <b>82x80x65 mm</b>                                                                  |              |         |                                                                                                         |                                    |
|   | PC 080807    | 7032560 | <br>6 418074 003614   | Enclosure, PC<br>Grey cover        |
|                                                                                     | PCT 080807   | 7022561 | <br>6 418074 003737  | Enclosure, PC<br>Transparent cover |
|                                                                                     | AB 080807    | 7083560 | <br>6 418074 003492 | Enclosure, ABS<br>Grey cover       |
| <b>82x80x85 mm</b>                                                                  |              |         |                                                                                                         |                                    |
|  | PC 080809    | 7032550 | <br>6 418074 058324 | Enclosure, PC<br>Grey cover        |
|                                                                                     | PCT 080809   | 7022551 | <br>6 418074 058539 | Enclosure, PC<br>Transparent cover |
|                                                                                     | AB 080809    | 7083550 | <br>6 418074 058744 | Enclosure, ABS<br>Grey cover       |
| <b>82x80x95 mm</b>                                                                  |              |         |                                                                                                         |                                    |
|  | PC 080810    | 7032570 | <br>6 418074 058331 | Enclosure, PC<br>Grey cover        |
|                                                                                     | PCT 080810   | 7022571 | <br>6 418074 058546 | Enclosure, PC<br>Transparent cover |
|                                                                                     | AB 080810    | 7083570 | <br>6 418074 058751 | Enclosure, ABS<br>Grey cover       |

# EURONORD PC/ABS

Including: Base with screws for mounting plate/DIN-rail, cover with PUR gasket and ferritic stainless steel cover screws.

PC: IP66/IP67, IK08/IK07

ABS IP66/IP67, IK07

| Dimensions                                                                          | Order Symbol | Code    | EAN Code                                                                                                | Description                        |
|-------------------------------------------------------------------------------------|--------------|---------|---------------------------------------------------------------------------------------------------------|------------------------------------|
| <b>120x80x55 mm</b>                                                                 |              |         |                                                                                                         |                                    |
|    | PC 081206    | 7032580 | <br>6 418074 003621   | Enclosure, PC<br>Grey cover        |
|                                                                                     | PCT 081206   | 7022581 | <br>6 418074 003744   | Enclosure, PC<br>Transparent cover |
|                                                                                     | AB 081206    | 7083580 | <br>6 418074 003508   | Enclosure, ABS<br>Grey cover       |
| <b>120x80x60 mm</b>                                                                 |              |         |                                                                                                         |                                    |
|   | PC 081206H   | 7032590 | <br>6 418074 058348   | Enclosure, PC<br>Grey cover        |
|                                                                                     | PCT 081206H  | 7022591 | <br>6 418074 058553  | Enclosure, PC<br>Transparent cover |
|                                                                                     | AB 081206H   | 7083590 | <br>6 418074 058768 | Enclosure, ABS<br>Grey cover       |
| <b>120x80x85 mm</b>                                                                 |              |         |                                                                                                         |                                    |
|  | PC 081209    | 7032600 | <br>6 418074 058355 | Enclosure, PC<br>Grey cover        |
|                                                                                     | PCT 081209   | 7022601 | <br>6 418074 058560 | Enclosure, PC<br>Transparent cover |
|                                                                                     | AB 081209    | 7083600 | <br>6 418074 058775 | Enclosure, ABS<br>Grey cover       |
| <b>120x80x90 mm</b>                                                                 |              |         |                                                                                                         |                                    |
|  | PC 081209H   | 7032610 | <br>6 418074 058362 | Enclosure, PC<br>Grey cover        |
|                                                                                     | PCT 081209H  | 7022611 | <br>6 418074 058577 | Enclosure, PC<br>Transparent cover |
|                                                                                     | AB 081209H   | 7083610 | <br>6 418074 058782 | Enclosure, ABS<br>Grey cover       |

# EURONORD PC/ABS

Including: Base with screws for mounting plate/DIN-rail, cover with PUR gasket and ferritic stainless steel cover screws.

PC: IP66/IP67, IK08/IK07  
ABS IP66/IP67, IK07

| Dimensions                                                                          | Order Symbol | Code    | EAN Code                                                                                                | Description                        |
|-------------------------------------------------------------------------------------|--------------|---------|---------------------------------------------------------------------------------------------------------|------------------------------------|
| <b>160x80x55 mm</b>                                                                 |              |         |                                                                                                         |                                    |
|    | PC 081606    | 7032630 | <br>6 418074 058379   | Enclosure, PC<br>Grey cover        |
|                                                                                     | PCT 081606   | 7022631 | <br>6 418074 058584   | Enclosure, PC<br>Transparent cover |
|                                                                                     | AB 081606    | 7083630 | <br>6 418074 058799   | Enclosure, ABS<br>Grey cover       |
| <b>160x80x65 mm</b>                                                                 |              |         |                                                                                                         |                                    |
|   | PC 081607    | 7032620 | <br>6 418074 003638   | Enclosure, PC<br>Grey cover        |
|                                                                                     | PCT 081607   | 7022621 | <br>6 418074 003751  | Enclosure, PC<br>Transparent cover |
|                                                                                     | AB 081607    | 7083620 | <br>6 418074 003515 | Enclosure, ABS<br>Grey cover       |
| <b>160x80x85 mm</b>                                                                 |              |         |                                                                                                         |                                    |
|  | PC 081609    | 7032650 | <br>6 418074 058386 | Enclosure, PC<br>Grey cover        |
|                                                                                     | PCT 081609   | 7022651 | <br>6 418074 058591 | Enclosure, PC<br>Transparent cover |
|                                                                                     | AB 081609    | 7083650 | <br>6 418074 058805 | Enclosure, ABS<br>Grey cover       |
| <b>160x80x95 mm</b>                                                                 |              |         |                                                                                                         |                                    |
|  | PC 081610    | 7032640 | <br>6 418074 003645 | Enclosure, PC<br>Grey cover        |
|                                                                                     | PCT 081610   | 7022641 | <br>6 418074 003768 | Enclosure, PC<br>Transparent cover |
|                                                                                     | AB 081610    | 7083640 | <br>6 418074 003522 | Enclosure, ABS<br>Grey cover       |

# EURONORD PC/ABS

Including: Base with screws for mounting plate/DIN-rail, cover with PUR gasket and ferritic stainless steel cover screws.

PC: IP66/IP67, IK08/IK07  
ABS IP66/IP67, IK07

| Dimensions                                                                          | Order Symbol | Code    | EAN Code                                                                                                | Description                        |
|-------------------------------------------------------------------------------------|--------------|---------|---------------------------------------------------------------------------------------------------------|------------------------------------|
| <b>122x120x65 mm</b>                                                                |              |         |                                                                                                         |                                    |
|    | PC 121207    | 7032660 | <br>6 418074 005199   | Enclosure, PC<br>Grey cover        |
|                                                                                     | PCT 121207   | 7022661 | <br>6 418074 005205   | Enclosure, PC<br>Transparent cover |
|                                                                                     | AB 121207    | 7083660 | <br>6 418074 036872   | Enclosure, ABS<br>Grey cover       |
| <b>122x120x75 mm</b>                                                                |              |         |                                                                                                         |                                    |
|   | PC 121208    | 7032670 | <br>6 418074 058393   | Enclosure, PC<br>Grey cover        |
|                                                                                     | PCT 121208   | 7022671 | <br>6 418074 058607  | Enclosure, PC<br>Transparent cover |
|                                                                                     | AB 121208    | 7083670 | <br>6 418074 058812 | Enclosure, ABS<br>Grey cover       |
| <b>122x120x95 mm</b>                                                                |              |         |                                                                                                         |                                    |
|  | PC 121210    | 7032680 | <br>6 418074 003652 | Enclosure, PC<br>Grey cover        |
|                                                                                     | PCT 121210   | 7022681 | <br>6 418074 003775 | Enclosure, PC<br>Transparent cover |
|                                                                                     | AB 121210    | 7083680 | <br>6 418074 003539 | Enclosure, ABS<br>Grey cover       |
| <b>122x120x105 mm</b>                                                               |              |         |                                                                                                         |                                    |
|  | PC 121211    | 7032690 | <br>6 418074 058409 | Enclosure, PC<br>Grey cover        |
|                                                                                     | PCT 121211   | 7022691 | <br>6 418074 058614 | Enclosure, PC<br>Transparent cover |
|                                                                                     | AB 121211    | 7083690 | <br>6 418074 058829 | Enclosure, ABS<br>Grey cover       |



# EURONORD PC/ABS

Including: Base with screws for mounting plate/DIN-rail, cover with PUR gasket and ferritic stainless steel cover screws.

PC: IP66/IP67, IK08/IK07  
ABS IP66/IP67, IK07

| Dimensions                                                                          | Order Symbol | Code    | EAN Code                                                                                                | Description                        |
|-------------------------------------------------------------------------------------|--------------|---------|---------------------------------------------------------------------------------------------------------|------------------------------------|
| <b>160x120x90 mm</b>                                                                |              |         |                                                                                                         |                                    |
|    | PC 121609    | 7032720 | <br>6 418074 003669   | Enclosure, PC<br>Grey cover        |
|                                                                                     | PCT 121609   | 7022721 | <br>6 418074 003782   | Enclosure, PC<br>Transparent cover |
|                                                                                     | AB 121609    | 7083720 | <br>6 418074 003546   | Enclosure, ABS<br>Grey cover       |
| <b>160x120x140 mm</b>                                                               |              |         |                                                                                                         |                                    |
|   | PC 121614    | 7032730 | <br>6 418074 058416   | Enclosure, PC<br>Grey cover        |
|                                                                                     | PCT 121614   | 7022731 | <br>6 418074 058621  | Enclosure, PC<br>Transparent cover |
|                                                                                     | AB 121614    | 7083730 | <br>6 418074 058836 | Enclosure, ABS<br>Grey cover       |
| <b>200x120x75 mm</b>                                                                |              |         |                                                                                                         |                                    |
|  | PC 122008    | 7032760 | <br>6 418074 003676 | Enclosure, PC<br>Grey cover        |
|                                                                                     | PCT 122008   | 7022761 | <br>6 418074 003799 | Enclosure, PC<br>Transparent cover |
|                                                                                     | AB 122008    | 7083760 | <br>6 418074 003553 | Enclosure, ABS<br>Grey cover       |
| <b>200x120x90 mm</b>                                                                |              |         |                                                                                                         |                                    |
|  | PC 122009    | 7032770 | <br>6 418074 058423 | Enclosure, PC<br>Grey cover        |
|                                                                                     | PCT 122009   | 7022771 | <br>6 418074 058638 | Enclosure, PC<br>Transparent cover |
|                                                                                     | AB 122009    | 7083770 | <br>6 418074 058843 | Enclosure, ABS<br>Grey cover       |

# EURONORD PC/ABS

Including: Base with screws for mounting plate/DIN-rail, cover with PUR gasket and ferritic stainless steel cover screws.

PC: IP66/IP67, IK08/IK07

ABS IP66/IP67, IK07

| Dimensions                                                                          | Order Symbol | Code    | EAN Code                                                                                                | Description                                        |
|-------------------------------------------------------------------------------------|--------------|---------|---------------------------------------------------------------------------------------------------------|----------------------------------------------------|
| <b>244x124x102 mm</b>                                                               |              |         |                                                                                                         |                                                    |
|    | PC 122410    | 7032780 | <br>6 418074 058430   | Enclosure, PC<br>Grey cover                        |
|                                                                                     | PCQ 122410   | 7033781 | <br>6 418074 058997   | Enclosure, PC<br>Grey cover (quick-locking)        |
|                                                                                     | PCT 122410   | 7022781 | <br>6 418074 058645   | Enclosure, PC<br>Transparent cover                 |
|                                                                                     | PCTQ 122410  | 7022780 | <br>6 418074 059079   | Enclosure, PC<br>Transparent cover (quick-locking) |
|                                                                                     | AB 122410    | 7083780 | <br>6 418074 058850   | Enclosure, ABS<br>Grey cover                       |
|                                                                                     | ABQ 122410   | 7083781 | <br>6 418074 059154  | Enclosure, ABS<br>Grey cover (quick-locking)       |
| <b>201x151x80 mm</b>                                                                |              |         |                                                                                                         |                                                    |
|  | PC 152008    | 7032820 | <br>6 418074 010636 | Enclosure, PC<br>Grey cover                        |
|                                                                                     | PCT 152008   | 7022821 | <br>6 418074 010643 | Enclosure, PC<br>Transparent cover                 |
|                                                                                     | AB 152008    | 7083820 | <br>6 418074 010650 | Enclosure, ABS<br>Grey cover                       |
| <b>340x150x101 mm</b>                                                               |              |         |                                                                                                         |                                                    |
|  | PC 153410    | 7032700 | <br>6 418074 058447 | Enclosure, PC<br>Grey cover                        |
|                                                                                     | PCQ 153410   | 7033701 | <br>6 418074 059000 | Enclosure, PC<br>Grey cover (quick-locking)        |
|                                                                                     | PCT 153410   | 7022701 | <br>6 418074 058652 | Enclosure, PC<br>Transparent cover                 |
|                                                                                     | PCTQ 153410  | 7022700 | <br>6 418074 059086 | Enclosure, PC<br>Transparent cover (quick-locking) |
|                                                                                     | AB 153410    | 7083700 | <br>6 418074 058867 | Enclosure, ABS<br>Grey cover                       |

| Dimensions                                                                          | Order Symbol | Code    | EAN Code                                                                                                | Description                                        |
|-------------------------------------------------------------------------------------|--------------|---------|---------------------------------------------------------------------------------------------------------|----------------------------------------------------|
|                                                                                     | ABQ 153410   | 7083701 | <br>6 418074 059161   | Enclosure, ABS<br>Grey cover (quick-locking)       |
| <b>340x150x121 mm</b>                                                               |              |         |                                                                                                         |                                                    |
|    | PC 153412    | 7032710 | <br>6 418074 058454   | Enclosure, PC<br>Grey cover                        |
|                                                                                     | PCQ 153412   | 7033711 | <br>6 418074 059017   | Enclosure, PC<br>Grey cover (quick-locking)        |
|                                                                                     | PCT 153412   | 7022711 | <br>6 418074 058669   | Enclosure, PC<br>Transparent cover                 |
|                                                                                     | PCTQ 153412  | 7022710 | <br>6 418074 059093   | Enclosure, PC<br>Transparent cover (quick-locking) |
|                                                                                     | AB 153412    | 7083710 | <br>6 418074 058874  | Enclosure, ABS<br>Grey cover                       |
|                                                                                     | ABQ 153412   | 7083711 | <br>6 418074 059178 | Enclosure, ABS<br>Grey cover (quick-locking)       |
| <b>244x164x90 mm</b>                                                                |              |         |                                                                                                         |                                                    |
|  | PC 162409    | 7032810 | <br>6 418074 058461 | Enclosure, PC<br>Grey cover                        |
|                                                                                     | PCQ 162409   | 7033811 | <br>6 418074 059024 | Enclosure, PC<br>Grey cover (quick-locking)        |
|                                                                                     | PCT 162409   | 7022811 | <br>6 418074 058676 | Enclosure, PC<br>Transparent cover                 |
|                                                                                     | PCTQ 162409  | 7022810 | <br>6 418074 059109 | Enclosure, PC<br>Transparent cover (quick-locking) |
|                                                                                     | AB 162409    | 7083810 | <br>6 418074 058881 | Enclosure, ABS<br>Grey cover                       |
|                                                                                     | ABQ 162409   | 7083811 | <br>6 418074 059185 | Enclosure, ABS<br>Grey cover (quick-locking)       |

# EURONORD PC/ABS

Including: Base with screws for mounting plate/DIN-rail, cover with PUR gasket and ferritic stainless steel cover screws.

PC: IP66/IP67, IK08/IK07  
ABS IP66/IP67, IK07

| Dimensions                                                                          | Order Symbol | Code    | EAN Code                                                                                                | Description                                        |
|-------------------------------------------------------------------------------------|--------------|---------|---------------------------------------------------------------------------------------------------------|----------------------------------------------------|
| <b>244x164x120 mm</b>                                                               |              |         |                                                                                                         |                                                    |
|    | PC 162412    | 7032830 | <br>6 418074 058478   | Enclosure, PC<br>Grey cover                        |
|                                                                                     | PCQ 162412   | 7033831 | <br>6 418074 059031   | Enclosure, PC<br>Grey cover (quick-locking)        |
|                                                                                     | PCT 162412   | 7022831 | <br>6 418074 058683   | Enclosure, PC<br>Transparent cover                 |
|                                                                                     | PCTQ 162412  | 7022830 | <br>6 418074 059116   | Enclosure, PC<br>Transparent cover (quick-locking) |
|                                                                                     | AB 162412    | 7083830 | <br>6 418074 058898   | Enclosure, ABS<br>Grey cover                       |
|                                                                                     | ABQ 162412   | 7083831 | <br>6 418074 059192  | Enclosure, ABS<br>Grey cover (quick-locking)       |
| <b>250x160x90 mm</b>                                                                |              |         |                                                                                                         |                                                    |
|  | PC 162509    | 7032840 | <br>6 418074 003683 | Enclosure, PC<br>Grey cover                        |
|                                                                                     | PCT 162509   | 7022841 | <br>6 418074 003805 | Enclosure, PC<br>Transparent cover                 |
|                                                                                     | AB 162509    | 7083840 | <br>6 418074 003560 | Enclosure, ABS<br>Grey cover                       |
| <b>250x160x125 mm</b>                                                               |              |         |                                                                                                         |                                                    |
|  | PC 162513    | 7032860 | <br>6 418074 003690 | Enclosure, PC<br>Grey cover                        |
|                                                                                     | PCT 162513   | 7022861 | <br>6 418074 003812 | Enclosure, PC<br>Transparent cover                 |
|                                                                                     | AB 162513    | 7083860 | <br>6 418074 003577 | Enclosure, ABS<br>Grey cover                       |

| Dimensions                                                                          | Order Symbol | Code    | EAN Code                                                                                                | Description                                        |
|-------------------------------------------------------------------------------------|--------------|---------|---------------------------------------------------------------------------------------------------------|----------------------------------------------------|
| <b>250x160x150 mm</b>                                                               |              |         |                                                                                                         |                                                    |
|    | PC 162515    | 7032740 | <br>6 418074 058485   | Enclosure, PC<br>Grey cover                        |
|                                                                                     | PCT 162515   | 7022741 | <br>6 418074 058690   | Enclosure, PC<br>Transparent cover                 |
|                                                                                     | AB 162515    | 7083740 | <br>6 418074 058904   | Enclosure, ABS<br>Grey cover                       |
| <b>360x160x101 mm</b>                                                               |              |         |                                                                                                         |                                                    |
|   | PC 163610    | 7032750 | <br>6 418074 058492   | Enclosure, PC<br>Grey cover                        |
|                                                                                     | PCQ 163610   | 7033751 | <br>6 418074 059048  | Enclosure, PC<br>Grey cover (quick-locking)        |
|                                                                                     | PCT 163610   | 7022851 | <br>6 418074 058706 | Enclosure, PC<br>Transparent cover                 |
|                                                                                     | PCTQ 163610  | 7022750 | <br>6 418074 059123 | Enclosure, PC<br>Transparent cover (quick-locking) |
|                                                                                     | AB 163610    | 7083750 | <br>6 418074 058911 | Enclosure, ABS<br>Grey cover                       |
|                                                                                     | ABQ 163610   | 7083751 | <br>6 418074 059208 | Enclosure, ABS<br>Grey cover (quick-locking)       |
| <b>360x200x151 mm</b>                                                               |              |         |                                                                                                         |                                                    |
|  | PC 203615    | 7032790 | <br>6 418074 058508 | Enclosure, PC<br>Grey cover                        |
|                                                                                     | PCQ 203615   | 7033791 | <br>6 418074 059055 | Enclosure, PC<br>Grey cover (quick-locking)        |
|                                                                                     | PCT 203615   | 7022791 | <br>6 418074 058713 | Enclosure, PC<br>Transparent cover                 |
|                                                                                     | PCTQ 203615  | 7022790 | <br>6 418074 059130 | Enclosure, PC<br>Transparent cover (quick-locking) |
|                                                                                     | AB 203615    | 7083790 | <br>6 418074 058928 | Enclosure, ABS<br>Grey cover                       |

# EURONORD PC/ABS

Including: Base with screws for mounting plate/DIN-rail, cover with PUR gasket and ferritic stainless steel cover screws.

PC: IP66/IP67, IK08/IK07

ABS IP66/IP67, IK07

| Dimensions                                                                          | Order Symbol | Code    | EAN Code                                                                             | Description                                  |
|-------------------------------------------------------------------------------------|--------------|---------|--------------------------------------------------------------------------------------|----------------------------------------------|
|                                                                                     | ABQ 203615   | 7083791 |    | Enclosure, ABS<br>Grey cover (quick-locking) |
| <b>300x230x87 mm</b>                                                                |              |         |                                                                                      |                                              |
|    | PC 233009    | 7032870 |    | Enclosure, PC<br>Grey cover                  |
|                                                                                     | PCT 233009   | 7022871 |    | Enclosure, PC<br>Transparent cover           |
|                                                                                     | AB 233009    | 7083870 |    | Enclosure, ABS<br>Grey cover                 |
| <b>300x230x110 mm</b>                                                               |              |         |                                                                                      |                                              |
|   | PC 233011    | 7032890 |   | Enclosure, PC<br>Grey cover                  |
|                                                                                     | PCT 233011   | 7022891 |  | Enclosure, PC<br>Transparent cover           |
|                                                                                     | AB 233011    | 7083890 |  | Enclosure, ABS<br>Grey cover                 |
| <b>400x360x151 mm</b>                                                               |              |         |                                                                                      |                                              |
|  | AB 364015    | 7083880 |  | Enclosure, ABS<br>Grey cover                 |
|                                                                                     | ABQ 364015   | 7083881 |  | Enclosure, ABS<br>Grey cover (quick-locking) |

## EURONORD PC/ABS technical information

| Property                                                    | Polycarbonate (PC)                            | ABS                             | Conformity to standards                                                                                                                                                                                                                                                                                                                                                                                                                                                                                                                                                                                                                                                                                 |
|-------------------------------------------------------------|-----------------------------------------------|---------------------------------|---------------------------------------------------------------------------------------------------------------------------------------------------------------------------------------------------------------------------------------------------------------------------------------------------------------------------------------------------------------------------------------------------------------------------------------------------------------------------------------------------------------------------------------------------------------------------------------------------------------------------------------------------------------------------------------------------------|
| Ingress Protection (EN 60529)                               | IP 66/IP 67                                   | IP 66/IP 67                     | <b>USA</b> USA Enclosures for Electrical Equipment<br>PC(all)+PCQ 071004: UL Type 1, 4, 4X, 12 or 13;<br>UL File<br>E75645 Vol 1 Sec 6; UL 746C-5VA flame test<br>(UL 50/508)*<br>PCQ: NEMA 1, 3, 3S, 12 or 13"<br>ABS: NEMA 1, 4, 4X, 12 or 13<br>ABSQ: NEMA 1, 3, 3S, 12 or 13<br><br><b>Canada</b> Industrial Control Equipment<br>Enclosures for Electrical Equipment/ULc*<br><br><b>Europe</b> Empty enclosures for low-voltage switchgear and<br>controlgear assemblies EN 62208:2003<br><b>Europe</b> Safety of Information Technology Equipment<br>EN 60950<br><b>RoHS</b> directive 2002/95/EC<br><br><b>Russia</b> GostR - Gost Russian certificate of conformity<br><br>*UL label on request |
| Impact Resistance (EN 62262)                                | IK 07 (side surface)<br>IK 08 (front surface) | IK 07                           |                                                                                                                                                                                                                                                                                                                                                                                                                                                                                                                                                                                                                                                                                                         |
| Température Range Celsius<br>(short term) Fahrenheit        | -40° . . 120°C<br>-40° . . 250°F              | -40° . . 80°C<br>-40° . . 175°F |                                                                                                                                                                                                                                                                                                                                                                                                                                                                                                                                                                                                                                                                                                         |
| Température Range Celsius<br>(continuous) Fahrenheit        | -40° . . 80°C<br>-40° . . 175°F               | -40° . . 60°C<br>-40° . . 140°F |                                                                                                                                                                                                                                                                                                                                                                                                                                                                                                                                                                                                                                                                                                         |
| Electrical Insulation                                       | Totally insulated ☐                           | Totally insulated ☐             |                                                                                                                                                                                                                                                                                                                                                                                                                                                                                                                                                                                                                                                                                                         |
| Light Grey Parts Colour                                     | RAL 7035<br>Industry Grey                     | RAL 7035<br>Industry Grey       |                                                                                                                                                                                                                                                                                                                                                                                                                                                                                                                                                                                                                                                                                                         |
| Transparent Clear PC Cover                                  | Clear transparent                             | Clear transparent               |                                                                                                                                                                                                                                                                                                                                                                                                                                                                                                                                                                                                                                                                                                         |
| Cover Screws                                                | Ferrous Stainless Steel                       | Ferrous Stainless Steel         |                                                                                                                                                                                                                                                                                                                                                                                                                                                                                                                                                                                                                                                                                                         |
| Cover Screws (quicklock)                                    | Zinc Die-Cast                                 | Zinc Die-Cast                   |                                                                                                                                                                                                                                                                                                                                                                                                                                                                                                                                                                                                                                                                                                         |
| Gasket                                                      | PUR                                           | PUR                             |                                                                                                                                                                                                                                                                                                                                                                                                                                                                                                                                                                                                                                                                                                         |
| Enclosure Flammability Rating                               | UL 746C 5V*                                   |                                 |                                                                                                                                                                                                                                                                                                                                                                                                                                                                                                                                                                                                                                                                                                         |
| Glow Wire Test<br>(IEC 695-2-1) Self -extinguishing<br>(PC) | 960°C                                         | 650°C                           |                                                                                                                                                                                                                                                                                                                                                                                                                                                                                                                                                                                                                                                                                                         |
| Non-toxicity                                                | Halogen Free                                  | Halogen Free                    |                                                                                                                                                                                                                                                                                                                                                                                                                                                                                                                                                                                                                                                                                                         |
| UV resistance                                               | UL 508<br>720 hours in<br>"Weatherometer"     |                                 |                                                                                                                                                                                                                                                                                                                                                                                                                                                                                                                                                                                                                                                                                                         |
| Chemical Resistance **                                      | Good                                          | Good                            |                                                                                                                                                                                                                                                                                                                                                                                                                                                                                                                                                                                                                                                                                                         |

Data subject to change without notice.

\*\* Consult separate raw material data for more detailed information

# EURONORD PC/ABS

## ACCESSORIES

|                                                                                   | Order symbol | Code    | Dimensions | EAN code                                                                                                | Description                                                 |
|-----------------------------------------------------------------------------------|--------------|---------|------------|---------------------------------------------------------------------------------------------------------|-------------------------------------------------------------|
| <b>Mounting plates (Galvanized steel, sheet thickness 1,5 mm)</b>                 |              |         |            |                                                                                                         |                                                             |
|  | TM 0505      | 9512009 | 44x26      | <br>6 418074 033970   | Mounting plate, for enclosures:<br>52x50x40, 65x50x45       |
|                                                                                   | TM 0507      | 9512010 | 57x26      | <br>6 418074 033987   | Mounting plate, for enclosures:<br>65x50x45                 |
|                                                                                   | TM 0808      | 9512011 | 71x56      | <br>6 418074 033994   | Mounting plate, for enclosures:<br>80x82x55-82x80x95        |
|                                                                                   | TM 0812      | 9512012 | 94x71      | <br>6 418074 034007   | Mounting plate, for enclosures:<br>120x80x55-120x80x90      |
|                                                                                   | TM 0816      | 9512013 | 134x71     | <br>6 418074 034014   | Mounting plate, for enclosures:<br>160x80x55-160x80x95      |
|                                                                                   | TM 1212      | 9512014 | 111x96     | <br>6 418074 034021  | Mounting plate, for enclosures:<br>122x120x65, 122x120x105  |
|                                                                                   | TM 1216      | 9512036 | 134x111    | <br>6 418074 034038 | Mounting plate, for enclosures:<br>160x120x90, 160x120x140  |
|                                                                                   | TM 1220      | 9512015 | 174x111    | <br>6 418074 034045 | Mounting plate, for enclosures:<br>200x120x75, 200x120x90   |
|                                                                                   | TM 1224      | 9512016 | 111x214    | <br>6 418074 034052 | Mounting plate, for enclosures:<br>244x124x102              |
|                                                                                   | TM 1520      | 9512017 | 174x141    | <br>6 418074 034069 | Mounting plate, for enclosures:<br>201x151x80               |
|                                                                                   | TM 1534      | 9512021 | 136x303    | <br>6 418074 059437 | Mounting plate, for enclosures:<br>340x150x101, 340x150x121 |
|                                                                                   | TM 1624      | 9512022 | 151x212    | <br>6 418074 059420 | Mounting plate, for enclosures:<br>244x164x90, 244x164x120  |
|                                                                                   | TM 1625      | 9512018 | 224x151    | <br>6 418074 034076 | Mounting plate, for enclosures:<br>250x160x90-250x160x150   |
|                                                                                   | TM 1636      | 9512023 | 146x318    | <br>6 418074 059444 | Mounting plate, for enclosures:<br>360x160x101              |
|                                                                                   | TM 2036      | 9512024 | 186x318    | <br>6 418074 059413 | Mounting plate, for enclosures:<br>360x200x151              |





|                                                                                   | Order symbol | Code    | Dimensions | EAN code                                                                                                | Description                                                                                                                                     |
|-----------------------------------------------------------------------------------|--------------|---------|------------|---------------------------------------------------------------------------------------------------------|-------------------------------------------------------------------------------------------------------------------------------------------------|
|                                                                                   | TM 2330      | 9512019 | 274x221    | <br>6 418074 034083   | Mounting plate, for enclosures:<br>300x230x87, 300x230x110                                                                                      |
|                                                                                   | TM 3640      | 9512025 | 315x383    | <br>6 418074 059451   | Mounting plate, for enclosures:<br>400x360x151                                                                                                  |
| <b>DIN-15 Mounting rails (Galvanized steel, rail height 5,0 mm)</b>               |              |         |            |                                                                                                         |                                                                                                                                                 |
|  | TRM 0507     | 9820001 | 48x15      | <br>6 418074 034137   | DIN-15 Mounting rail, for enclosures:<br>65x50x45                                                                                               |
|                                                                                   | TRM 0808     | 9820004 | 68x15      | <br>6 418074 034144   | DIN-15 Mounting rail, for enclosures:<br>82x80x55-82x80x95,<br>120x80x55-120x80x90,<br>160x80x55-160x80x95                                      |
|                                                                                   | TRM 0812     | 9820009 | 106x15     | <br>6 418074 034151   | DIN-15 Mounting rail, for enclosures:<br>120x80x55-120x80x90,<br>122x120x65-122x120x105,<br>244x124x102                                         |
|                                                                                   | TRM 1212     | 9820008 | 110x15     | <br>6 418074 034175 | DIN-15 Mounting rail, for enclosures:<br>122x120x65-122x120x105                                                                                 |
|                                                                                   | ARM 0615     | 9820011 | 140x15     | <br>6 418074 034199 | DIN-15 Mounting rail, for enclosures:<br>152x66x46                                                                                              |
|                                                                                   | TRM 0816     | 9820013 | 146x15     | <br>6 418074 034168 | DIN-15 Mounting rail, for enclosures:<br>160x80x55-160x80x95,<br>160x120x90, 160x120x140,<br>250x160x90-250x160x150,<br>300x230x87, 300x230x110 |
|                                                                                   | MIN 20       | 6314578 | 225x15     | <br>6 418074 023308 | DIN-15 Mounting rail, for enclosures:<br>255x180x63-360x255x152                                                                                 |

# EURONORD PC/ABS

## ACCESSORIES

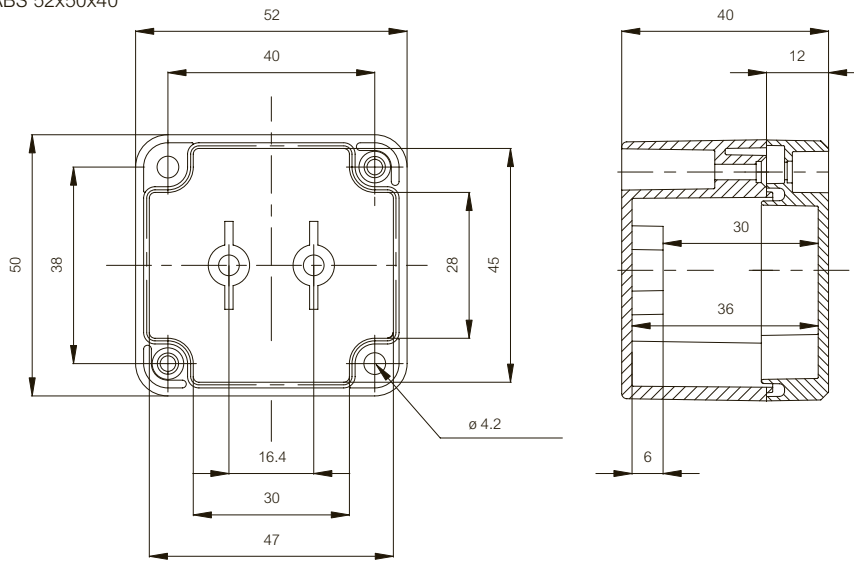
|                                                                                   | Order symbol | Code    | Dimensions | EAN code                                                                                                | Description                                                                                                                                    |
|-----------------------------------------------------------------------------------|--------------|---------|------------|---------------------------------------------------------------------------------------------------------|------------------------------------------------------------------------------------------------------------------------------------------------|
| <b>DIN-35 Mounting rails (Galvanized steel, rail height 7,5 mm)</b>               |              |         |            |                                                                                                         |                                                                                                                                                |
|  | MIV 10       | 5514082 | 100x35     | <br>6 418074 033192   | DIN-35 Mounting rail, for enclosures:<br>130x80x35-180x130x175                                                                                 |
|                                                                                   | ARH 12       | 9822001 | 105x35     | <br>6 418074 034274   | DIN-35 Mounting rail, for enclosures:<br>125x124x81, 362x125x81                                                                                |
|                                                                                   | TRH 1212     | 9822002 | 110x35     | <br>6 418074 034403   | DIN-35 Mounting rail, for enclosures:<br>122x120x65-122x120x105,<br>244x124x102                                                                |
|                                                                                   | TRH 15       | 9822021 | 122x35     | <br>6 418074 059680   | DIN-35 Mounting rail, for enclosures:<br>340x150x101, 340x150x121                                                                              |
|                                                                                   | DH-3         | 8524032 | 140x35     | <br>6 418074 033512   | DIN-35 Mounting rail, for enclosures:<br>170x80x65, 170x80x85,<br>170x140x95                                                                   |
|                                                                                   | TRH 1216     | 9822028 | 146x35     | <br>6 418074 034410  | DIN-35 Mounting rail, for enclosures:<br>160x80x55-160x80x95,<br>160x120x90-160x120x140,<br>250x160x90-250x160x150,<br>300x230x87, 300x230x110 |
|                                                                                   | TRH 1220     | 9822006 | 186x35     | <br>6 418074 034427 | DIN-35 Mounting rail, for enclosures:<br>200x120x75, 200x120x90,<br>201x151x80                                                                 |
|                                                                                   | TRH 1520     | 9822020 | 170x35     | <br>6 418074 035837 | DIN-35 Mounting rail, for enclosures:<br>201x151x80                                                                                            |
|                                                                                   | TRH 24       | 9822008 | 226x35     | <br>6 418074 034397 | DIN-35 Mounting rail, for enclosures:<br>244x124x102, 244x164x90,<br>244x164x120, 250x160x90-<br>250x160x150                                   |
|                                                                                   | TRH 2330     | 9822013 | 285x35     | <br>6 418074 034434 | DIN-35 Mounting rail, for enclosures:<br>300x230x87, 300x230x110                                                                               |
|                                                                                   | TRH 34       | 9822022 | 307x35     | <br>6 418074 059697 | DIN-35 Mounting rail, for enclosures:<br>340x150x101, 340x150x121                                                                              |
|                                                                                   | TRH 2036     | 9822023 | 340x35     | <br>6 418074 059703 | DIN-35 Mounting rail, for enclosures:<br>360x160x101, 360x200x151                                                                              |
|                                                                                   | TRH 40       | 9822024 | 380x35     | <br>6 418074 059710 | DIN-35 Mounting rail, for enclosures:<br>400x360x151                                                                                           |



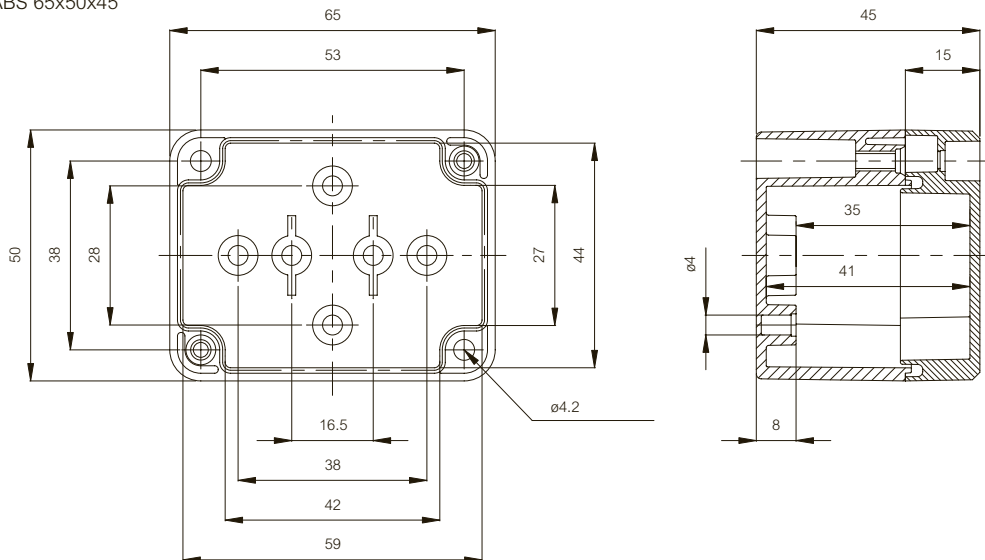
|                                                                                     | Order symbol  | Code    | Dimensions | EAN code                                                                                             | Description                                                         |
|-------------------------------------------------------------------------------------|---------------|---------|------------|------------------------------------------------------------------------------------------------------|---------------------------------------------------------------------|
| <b>Hinges and wall mounting</b>                                                     |               |         |            |                                                                                                      |                                                                     |
|    | TH A          | 9802001 |            |  6 418074 034120   | Grey plastic hinges (2 pcs) incl. mounting screws                   |
|                                                                                     | TF 28037      | 7028337 |            |  6 418074 033734   | Wall fastening lug (4 pcs), for enclosures:<br>52x50x40-400x360x151 |
| <b>Cover screws</b>                                                                 |               |         |            |                                                                                                      |                                                                     |
|   | MR 28005EU    | 7028005 |            |  6 418074 036308   | Cover screw                                                         |
|                                                                                     | MRS 38036     | 7038036 |            |  6 418074 034939  | Cover screw set<br>2xMR 28005EU+2xMR 28036                          |
|                                                                                     | MRS 38005     | 7038005 |            |  6 418074 036285 | Cover screw set<br>4xMR 28005EU+4xMR 28036                          |
|                                                                                     | MRS 38215Q    | 7038215 |            |  6 418074 058270 | 4 x Short QuickLock screws                                          |
|                                                                                     | MRS 38216Q    | 7038216 |            |  6 418074 058287 | 4 x Long QuickLock screws                                           |
|                                                                                     | MRS 38217     | 7038217 |            |  6 418074 058294 | 4 x Long threaded screws                                            |
| <b>Mounting screws and other accessories</b>                                        |               |         |            |                                                                                                      |                                                                     |
|  | MR 28036EU    | 7028036 |            |  6 418074 036315 | Mounting screw                                                      |
|                                                                                     | MRS 48036     | 7048036 |            |  6 418074 058942 | 4 x mounting screws                                                 |
|                                                                                     | MRS 28084 SET | 7700101 |            |  6 418074 033789 | Brass insert set for PC/ABS                                         |
|                                                                                     | MB 28018      | 7028018 |            |  6 418074 033710 | Decoration plug                                                     |
|                                                                                     | SB 28088      | 7028088 |            |  6 418074 003843 | Sealing bush                                                        |

## Dimensional drawings

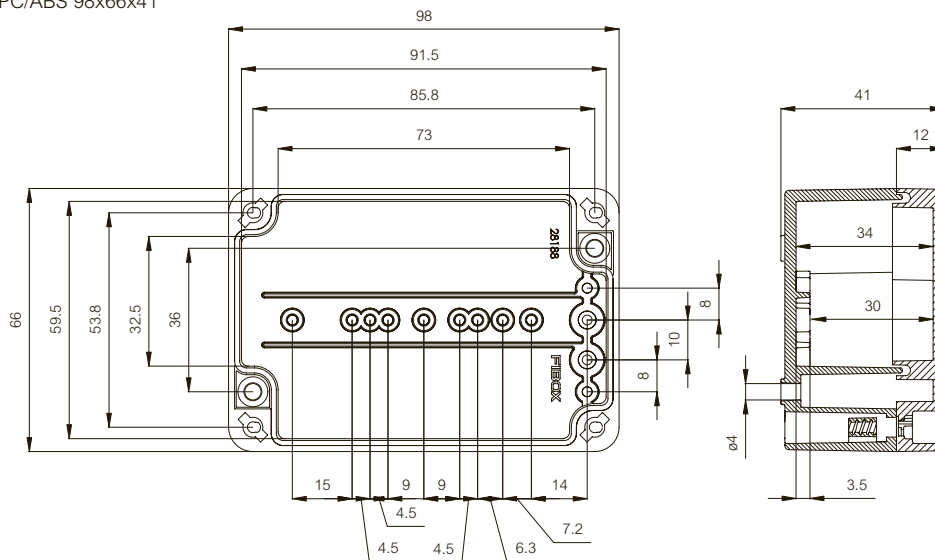
EURONORD PC/ABS 52x50x40



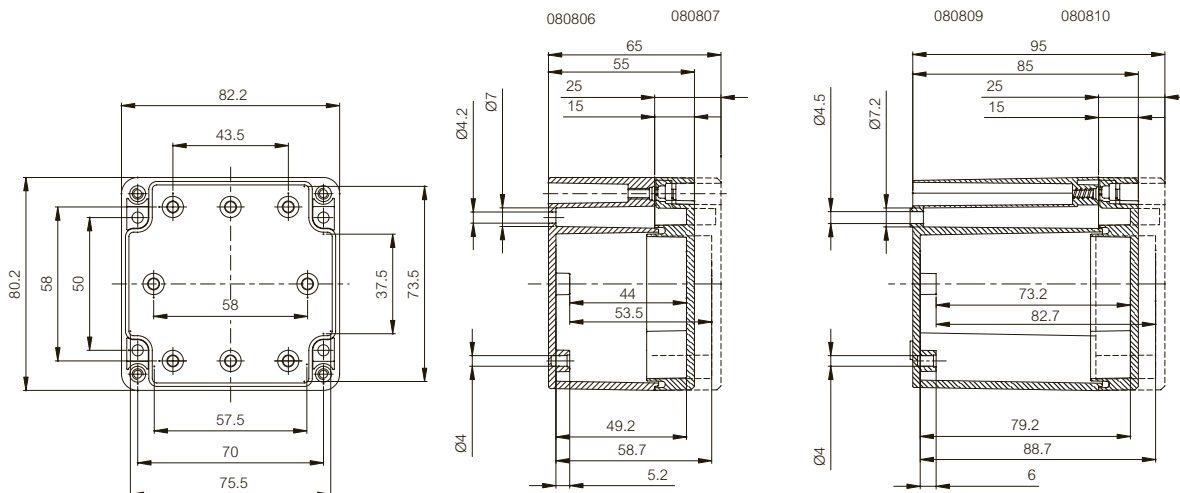
EURONORD PC/ABS 65x50x45



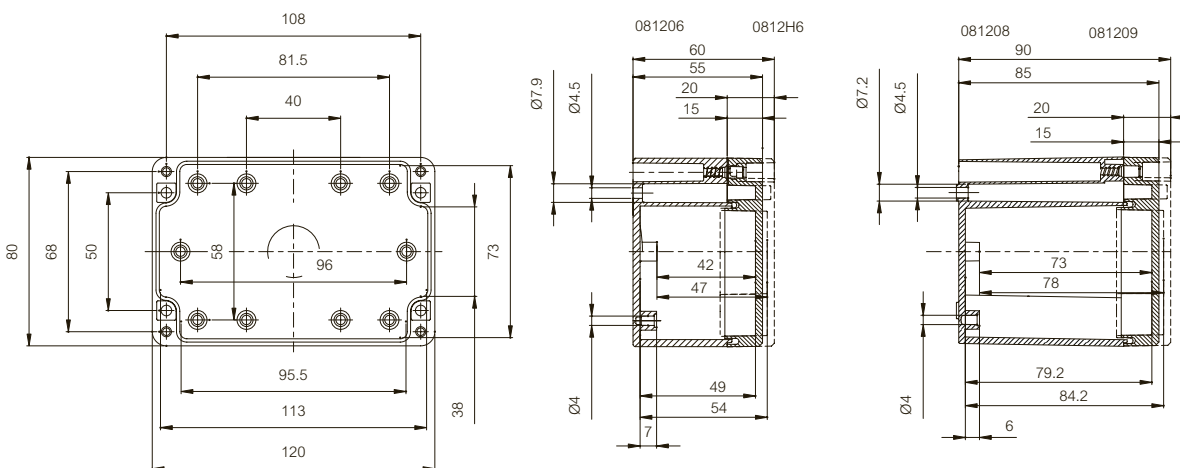
EURONORD PC/ABS 98x66x41



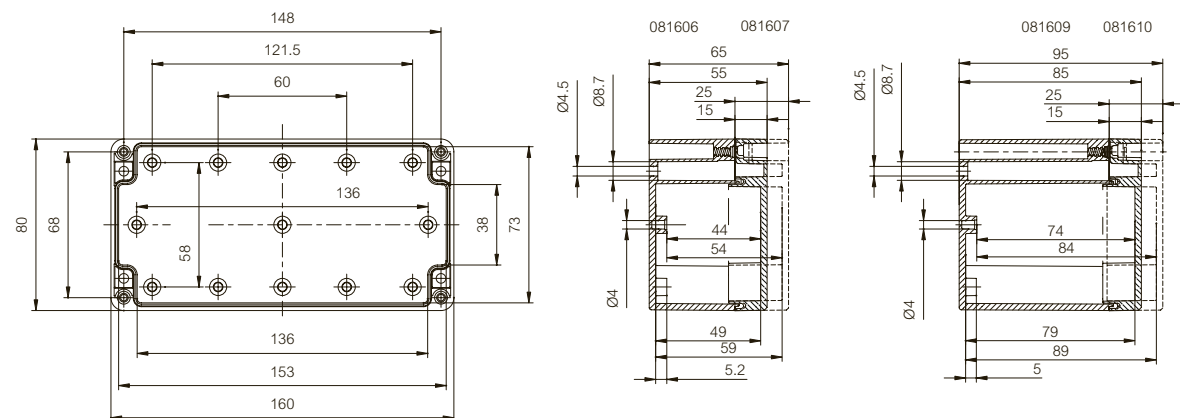
EURONORD PC/ABS 82x80x55-95



EURONORD PC/ABS 120x80x55-90

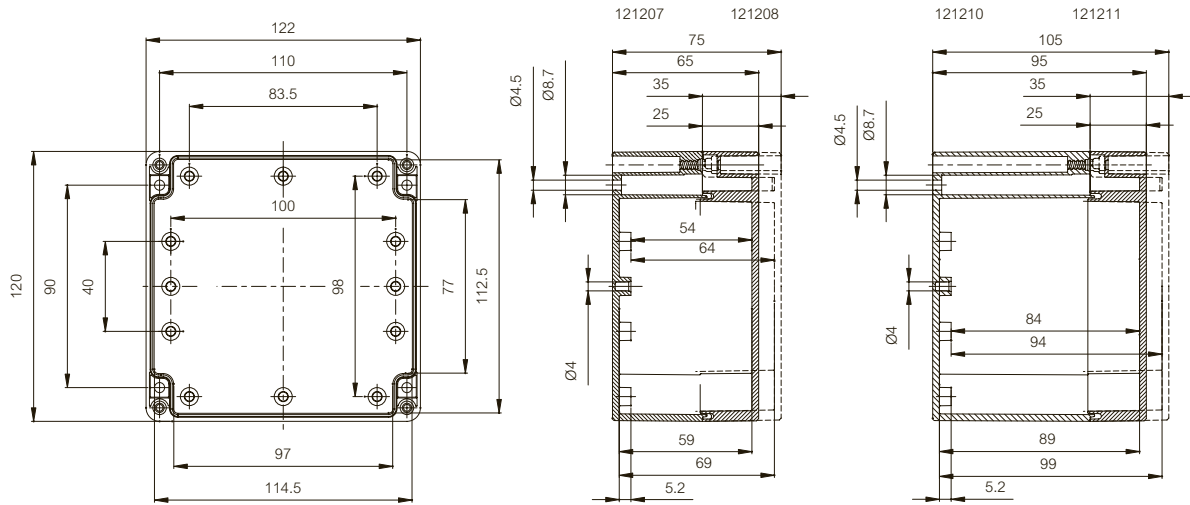


EURONORD PC/ABS 160x80x55-95

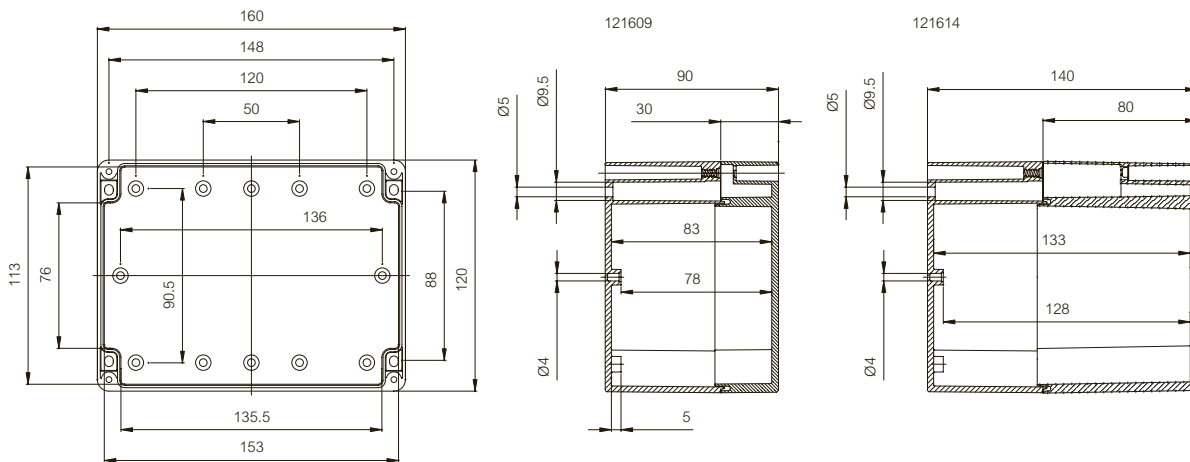


## Dimensional drawings

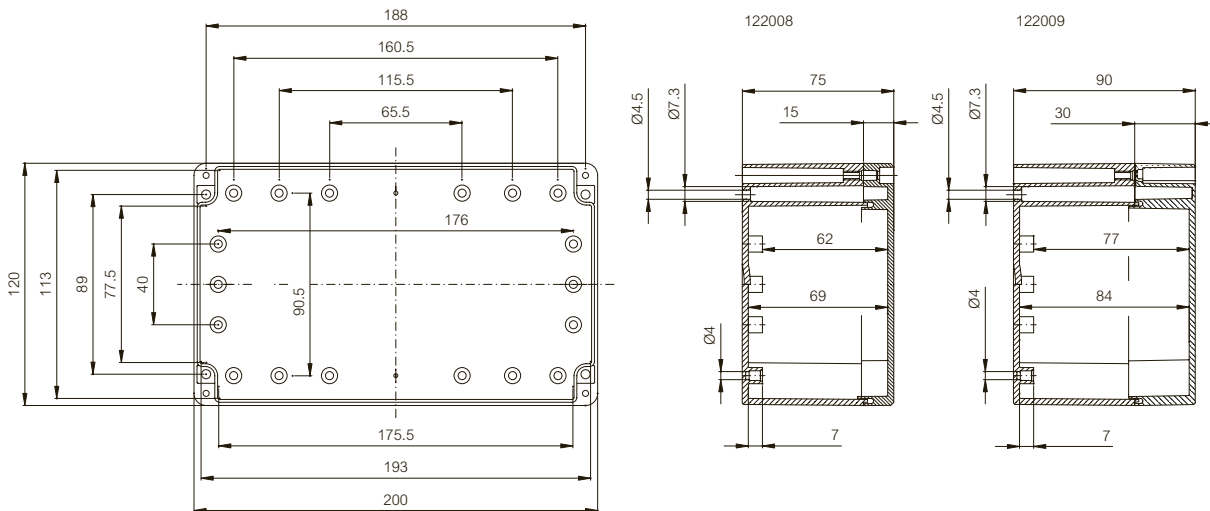
EURONORD PC/ABS 122x120x65-105



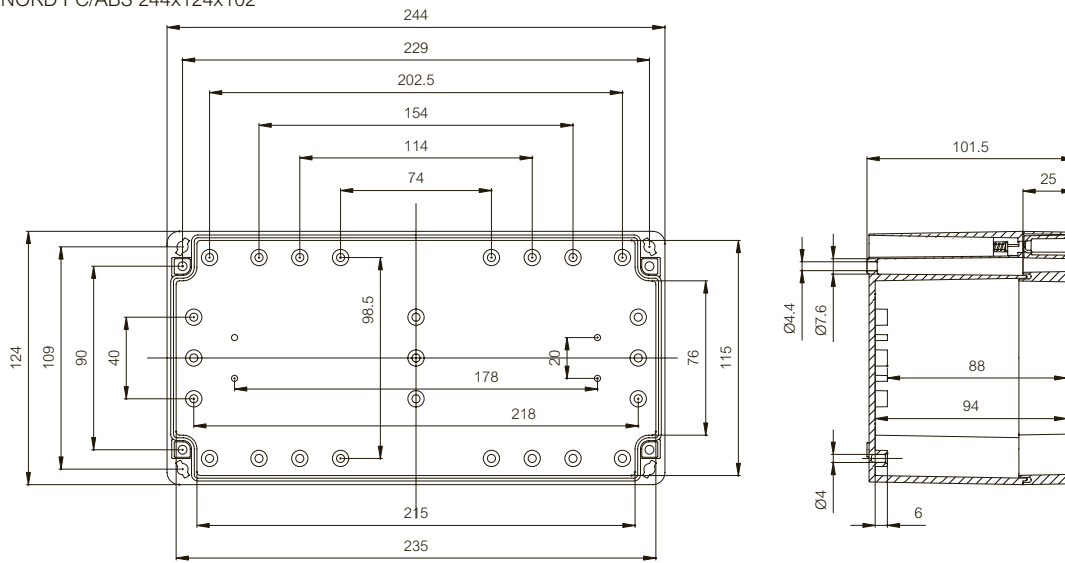
EURONORD PC/ABS 160x120x90-140



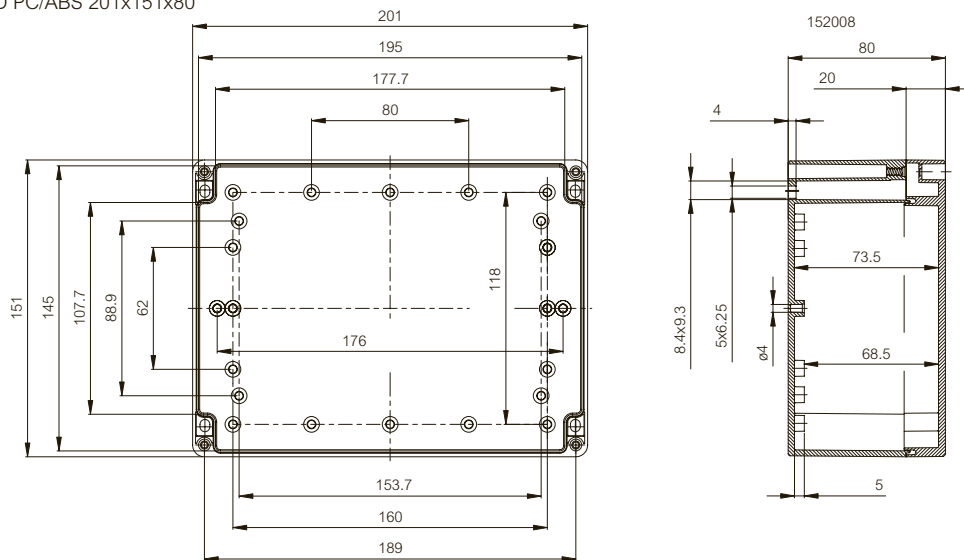
EURONORD PC/ABS 200x120x75-90



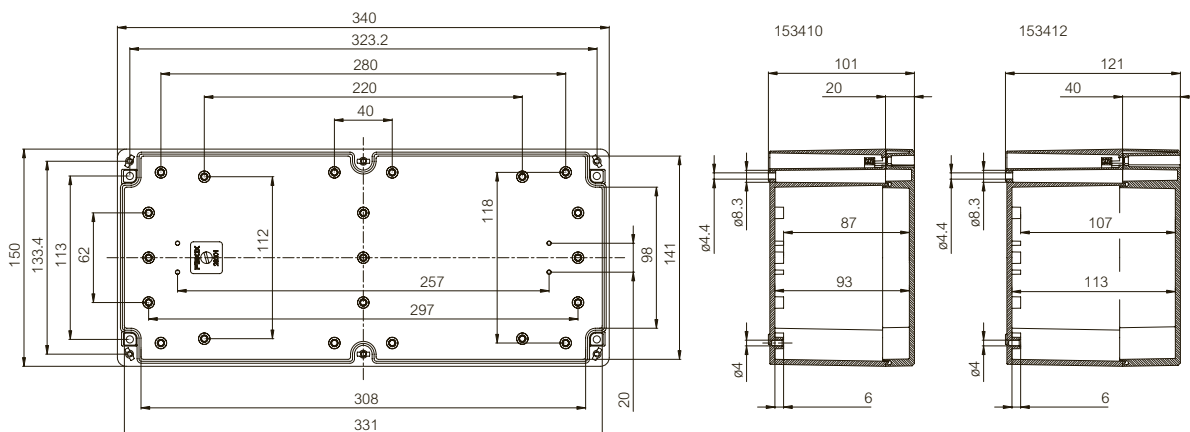
EURONORD PC/ABS 244x124x102



EURONORD PC/ABS 201x151x80



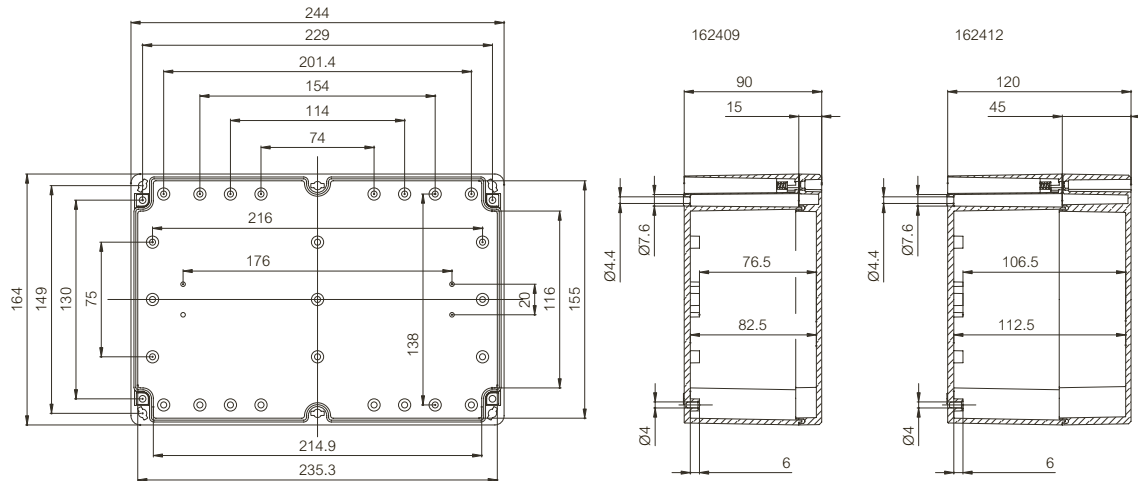
EURONORD PC/ABS 340x150x101-121



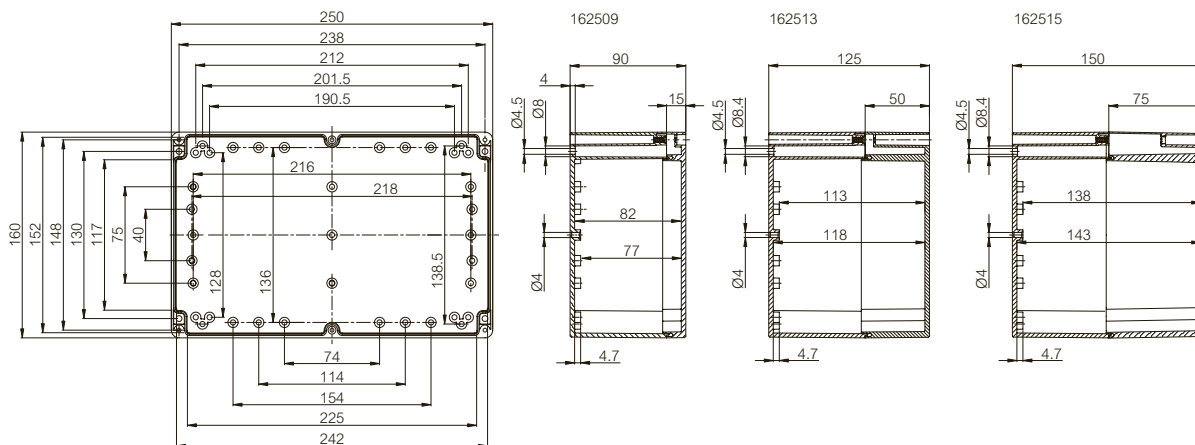
# EURONORD PC/ABS

## Dimensional drawings

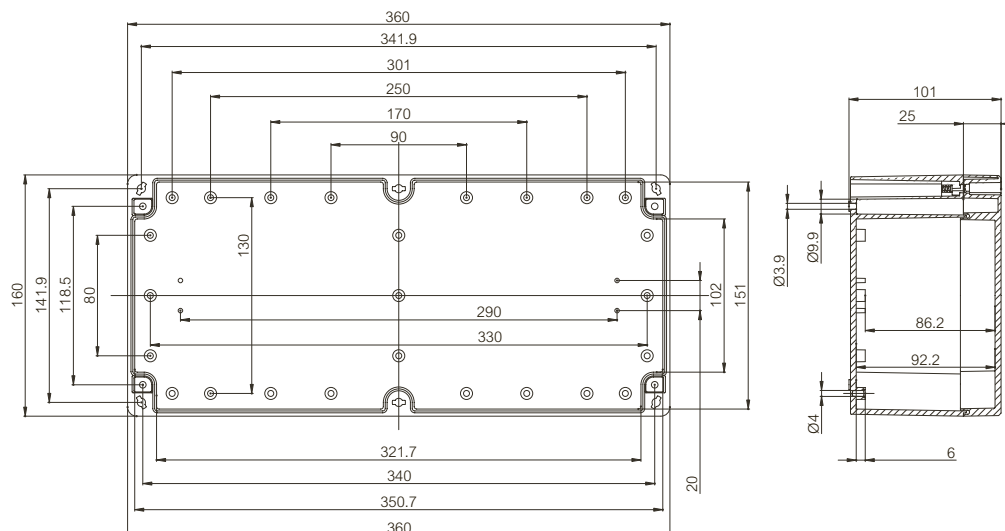
EURONORD PC/ABS 244x164x90-120



EURONORD PC/ABS 250x160x90-150

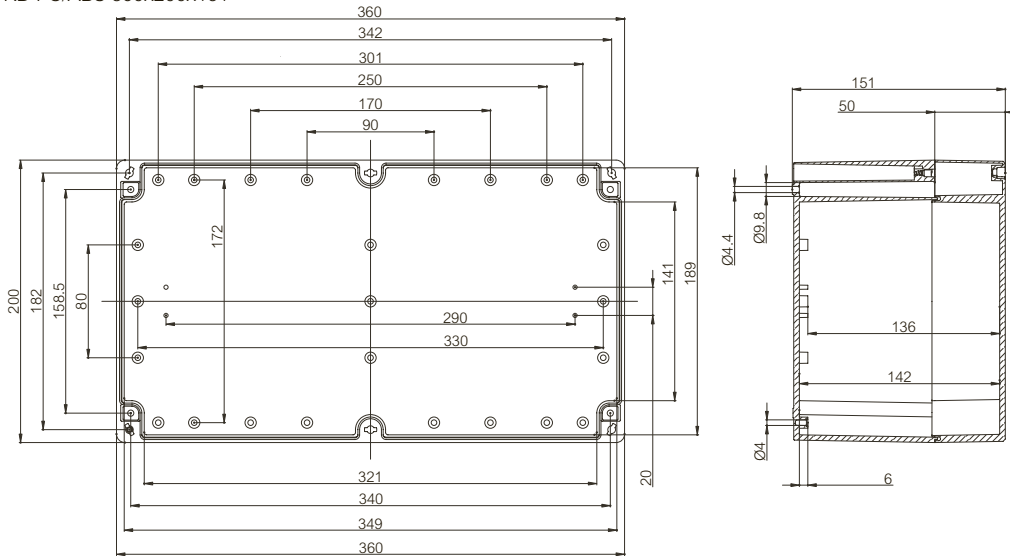


EURONORD PC/ABS 360x160x101

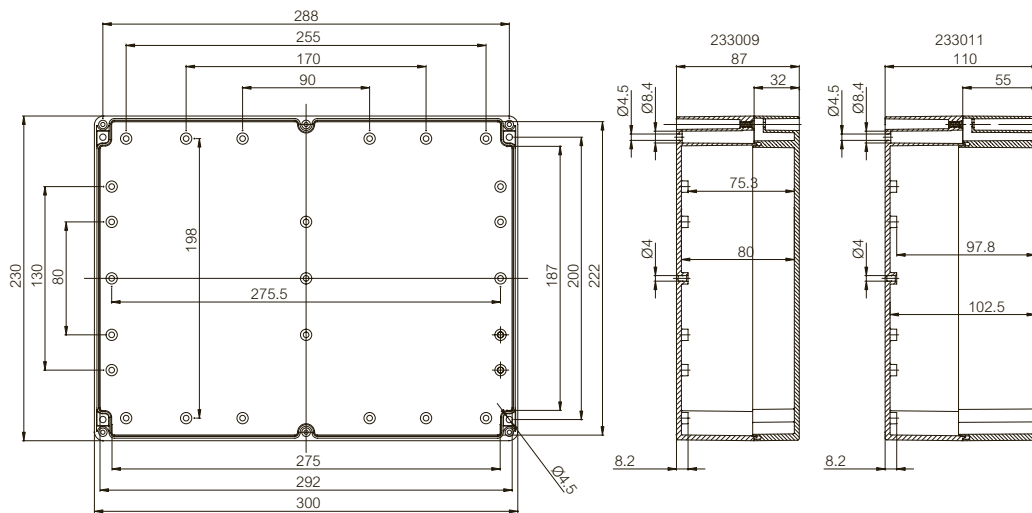




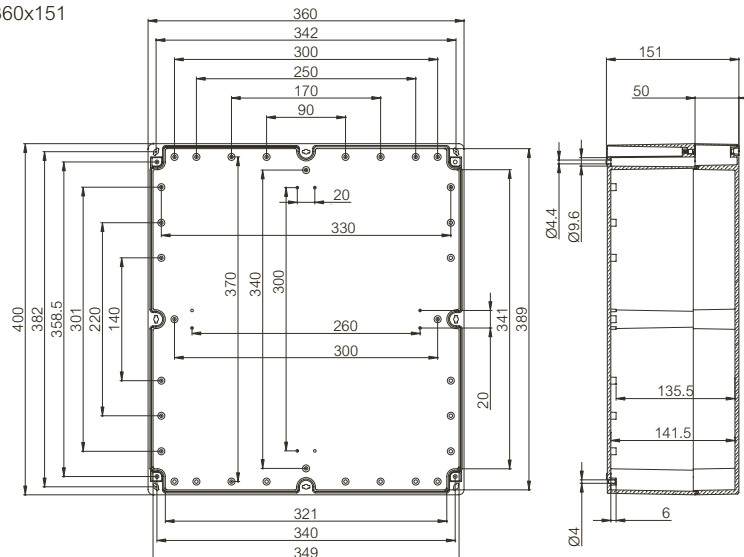
EURONORD PC/ABS 360x200x151



EURONORD PC/ABS 300x230x87-110



EURONORD ABS 400x360x151



# FIBOX – Solutions for demanding environments

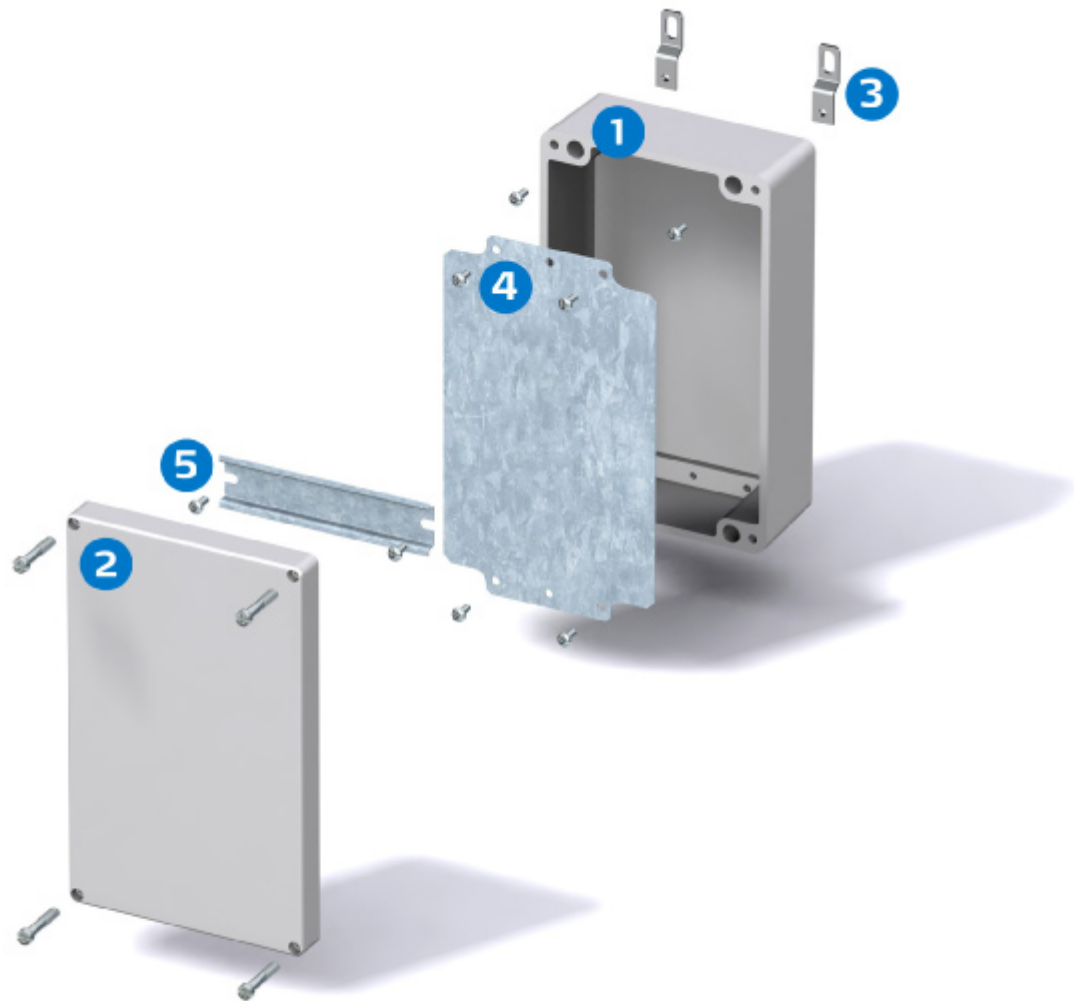




## Brings interchangeability

Euronord P enclosures offer a modern appearance with the security of GRP construction. Ideal for safeguarding electrical and electronic components while meeting strict European standards.

Secure protection in the most demanding of environments.



## Enclosure

- 1 Base
- 2 Cover, grey

## Accessories

- 3 Fastening lugs, 2 pcs. incl. screws
- 4 Mounting plate, electro-galvanised steel  
stable and impact-resistant
- 5 DIN rail  
different sizes TS 35

# EURONORD P

Including: Base, cover with EPDM gasket and stainless steel cover screws.

P: IP66/IP67, IK08

| Dimensions                                                                          | Order Symbol | Code    | EAN Code                                                                                                | Description                        |
|-------------------------------------------------------------------------------------|--------------|---------|---------------------------------------------------------------------------------------------------------|------------------------------------|
| <b>80x75x55 mm</b>                                                                  |              |         |                                                                                                         |                                    |
|    | P 080806     | 7094140 | <br>6 418074 004338   | Enclosure, polyester<br>Grey cover |
| <b>110x75x55 mm</b>                                                                 |              |         |                                                                                                         |                                    |
|   | P 081106     | 7094150 | <br>6 418074 004345   | Enclosure, polyester<br>Grey cover |
| <b>160x75x55 mm</b>                                                                 |              |         |                                                                                                         |                                    |
|  | P 081606     | 7094170 | <br>6 418074 004352 | Enclosure, polyester<br>Grey cover |
| <b>190x75x55 mm</b>                                                                 |              |         |                                                                                                         |                                    |
|  | P 081906     | 7094190 | <br>6 418074 004369 | Enclosure, polyester<br>Grey cover |

| Dimensions                                                                          | Order Symbol | Code    | EAN Code                                                                                                | Description                        |
|-------------------------------------------------------------------------------------|--------------|---------|---------------------------------------------------------------------------------------------------------|------------------------------------|
| <b>122x120x90 mm</b>                                                                |              |         |                                                                                                         |                                    |
|    | P 121209     | 7094220 | <br>6 418074 004376   | Enclosure, polyester<br>Grey cover |
| <b>220x120x90 mm</b>                                                                |              |         |                                                                                                         |                                    |
|   | P 122209     | 7094240 | <br>6 418074 004383   | Enclosure, polyester<br>Grey cover |
| <b>160x160x91 mm</b>                                                                |              |         |                                                                                                         |                                    |
|  | P 161609     | 7094280 | <br>6 418074 004390 | Enclosure, polyester<br>Grey cover |
| <b>260x160x92 mm</b>                                                                |              |         |                                                                                                         |                                    |
|  | P 162609     | 7094300 | <br>6 418074 004406 | Enclosure, polyester<br>Grey cover |

# EURONORD P

Including: Base, cover with EPDM gasket and stainless steel cover screws.

P: IP66/IP67, IK08

| Dimensions                                                                          | Order Symbol | Code    | EAN Code                                                                                                | Description                        |
|-------------------------------------------------------------------------------------|--------------|---------|---------------------------------------------------------------------------------------------------------|------------------------------------|
| <b>361x160x91 mm</b>                                                                |              |         |                                                                                                         |                                    |
|    | P 163609     | 7094320 | <br>6 418074 004413   | Enclosure, polyester<br>Grey cover |
| <b>256x251x121 mm</b>                                                               |              |         |                                                                                                         |                                    |
|   | P 252612     | 7094370 | <br>6 418074 004420   | Enclosure, polyester<br>Grey cover |
| <b>402x250x120 mm</b>                                                               |              |         |                                                                                                         |                                    |
|  | P 254012     | 7094400 | <br>6 418074 004437 | Enclosure, polyester<br>Grey cover |
| <b>406x401x120 mm</b>                                                               |              |         |                                                                                                         |                                    |
|  | P 404012     | 7094450 | <br>6 418074 004444 | Enclosure, polyester<br>Grey cover |

## EURONORD P technical information

| Property                                                 | Polyester (GRP)                    |
|----------------------------------------------------------|------------------------------------|
| Ingress Protection (EN 60529)                            | IP 66/IP 67                        |
| Impact Resistance (EN 62262)                             | IK 08                              |
| Température Range Celsius<br>(short term) Fahrenheit     | -50° . . .120°C<br>-60 . . . 250°F |
| Température Range Celsius<br>(continuous) Fahrenheit     | -40° . . .80°C<br>-40° . . .175°F  |
| Electrical Insulation                                    | Totally insulated ☐                |
| Colour                                                   | RAL 7001                           |
| Cover Screws                                             | Stainless steel                    |
| Gasket                                                   | EPDM                               |
| Enclosure Flammability Rating                            | UL 746C 5V                         |
| Glow Wire Test (IEC 695-2-1)<br>Self -extinguishing (PC) | 960°C                              |
| Non-toxicity                                             | Halogen Free                       |
| Chemical Resistance *                                    | Good                               |

### Confirmity to standards

**USA** Enclosures for Electrical Equipment  
P: NEMA 1, 4, 4X, 12 or 13

**Canada** Industrial Control Equipment  
Enclosures for Electrical Equipment/ULc

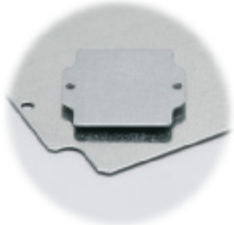












**Europe** Empty enclosures for low-voltage switchgear and  
controlgear assemblies EN 62208:2003

**Europe** Safety of Information Technology Equipment  
EN 60950














**RoHS** directive 2002/95/EC





Data subject to change without notice.

\*Consult separate raw material data for more detailed information

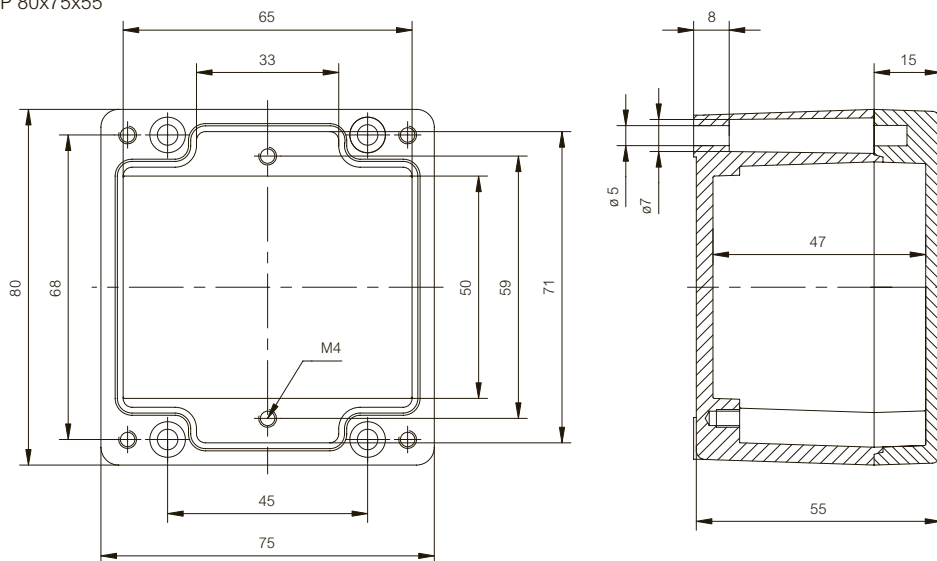
|                                                                                   | Order symbol | Code    | Dimensions | EAN code                                                                                                | Description                                                              |
|-----------------------------------------------------------------------------------|--------------|---------|------------|---------------------------------------------------------------------------------------------------------|--------------------------------------------------------------------------|
| <b>Mounting plates (Galvanized steel, sheet thickness 1,5 mm)</b>                 |              |         |            |                                                                                                         |                                                                          |
|  | PM 0808      | 9823000 | 69x64      | <br>6 418074 034441   | Mounting plate, for enclosures:<br>80x75x55                              |
|                                                                                   | PM 0811      | 9823001 | 99x64      | <br>6 418074 034458   | Mounting plate, for enclosures:<br>110x75x55                             |
|                                                                                   | PM 0816      | 9823002 | 149x64     | <br>6 418074 034465   | Mounting plate, for enclosures:<br>160x75x55                             |
|                                                                                   | PM 0819      | 9823003 | 179x64     | <br>6 418074 034472   | Mounting plate, for enclosures:<br>190x75x55                             |
|                                                                                   | AM 1212      | 9511150 | 110x107    | <br>6 418074 033833   | Mounting plate, for enclosures:<br>122x120x90, 125x124x81,<br>362x125x8  |
|                                                                                   | AM 1222      | 9511095 | 207x107    | <br>6 418074 033840 | Mounting plate, for enclosures:<br>220x120x90, 222x125x81,<br>362x125x81 |
|                                                                                   | PM 1616      | 9823006 | 146x146    | <br>6 418074 034489 | Mounting plate, for enclosures:<br>160x160x91                            |
|                                                                                   | PM 1626      | 9823007 | 244x146    | <br>6 418074 034496 | Mounting plate, for enclosures:<br>260x160x92                            |
|                                                                                   | AM 1636      | 9511175 | 346x146    | <br>6 418074 033888 | Mounting plate, for enclosures:<br>360x160x90, 361x160x91                |
|                                                                                   | PM 2526      | 9823009 | 240x231    | <br>6 418074 035776 | Mounting plate, for enclosures:<br>256x251x121                           |
|                                                                                   | PM 2540      | 9823010 | 383x231    | <br>6 418074 034519 | Mounting plate, for enclosures:<br>402x250x120                           |
|                                                                                   | PM 4040      | 9823011 | 385x390    | <br>6 418074 034526 | Mounting plate, for enclosures:<br>406x401x120                           |



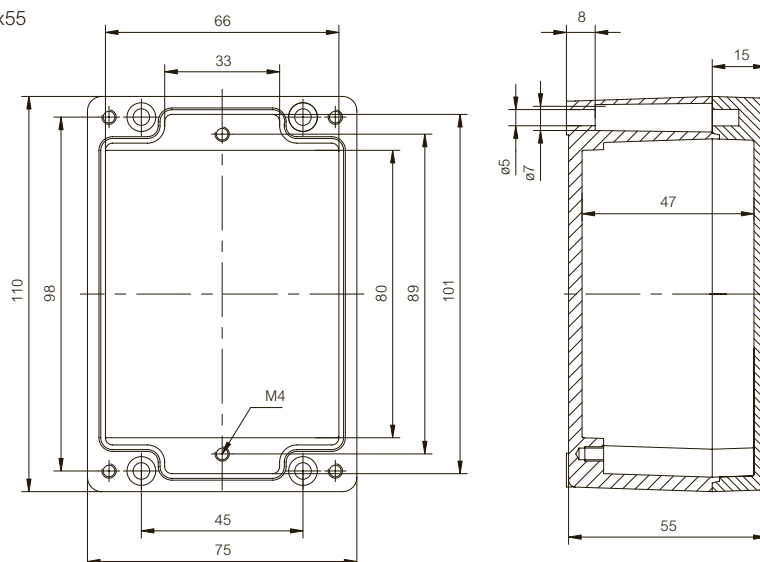
|                                                                                     | Order symbol | Code    | Dimensions | EAN code                                                                                                | Description                                                                                                                       |
|-------------------------------------------------------------------------------------|--------------|---------|------------|---------------------------------------------------------------------------------------------------------|-----------------------------------------------------------------------------------------------------------------------------------|
| <b>DIN-15 Mounting rails (Galvanized steel, rail height 5,0 mm)</b>                 |              |         |            |                                                                                                         |                                                                                                                                   |
|    | TRM 0808     | 9820004 | 68x15      | <br>6 418074 034144   | DIN-15 Mounting rail, for enclosures:<br>80x75x55, 82x77x57,<br>82x80x55-82x80x95,<br>120x80x55-120x80x90,<br>160x80x55-160x80x95 |
|                                                                                     | PRM 0811     | 9820006 | 99x15      | <br>6 418074 034243   | DIN-15 Mounting rail, for enclosures:<br>110x75x55                                                                                |
|                                                                                     | PRM 0816     | 9820012 | 149x15     | <br>6 418074 034250   | DIN-15 Mounting rail, for enclosures:<br>160x75x55                                                                                |
|                                                                                     | PRM 0819     | 9820015 | 179x15     | <br>6 418074 034267   | DIN-15 Mounting rail, for enclosures:<br>190x75x55                                                                                |
| <b>DIN-35 Mounting rails (Galvanized steel, rail height 7,5 mm)</b>                 |              |         |            |                                                                                                         |                                                                                                                                   |
|  | ARH 12       | 9822001 | 105x35     | <br>6 418074 034274  | DIN-35 Mounting rail, for enclosures:<br>122x120x90, 125x124x81,<br>362x125x81                                                    |
|                                                                                     | ARH 16       | 9822003 | 140x35     | <br>6 418074 034281 | DIN-35 Mounting rail, for enclosures:<br>160x160x91, 163x162x91                                                                   |
|                                                                                     | ARH 22       | 9822007 | 203x35     | <br>6 418074 034298 | DIN-35 Mounting rail, for enclosures:<br>220x120x90, 222x125x81                                                                   |
|                                                                                     | PRH 2526     | 9821007 | 238x35     | <br>6 418074 034922 | DIN-35 Mounting rail, for enclosures:<br>256x251x121                                                                              |
|                                                                                     | ARH 26       | 9822011 | 240x35     | <br>6 418074 034304 | DIN-35 Mounting rail, for enclosures:<br>252x81x57, 260x160x92,<br>263x162x91                                                     |
|                                                                                     | ARH 36       | 9822015 | 343x35     | <br>6 418074 034311 | DIN-35 Mounting rail, for enclosures:<br>362x125x81, 361x160x91                                                                   |
|                                                                                     | ARH 40       | 9822017 | 383x35     | <br>6 418074 034328 | DIN-35 Mounting rail, for enclosures:<br>401x230x110, 401x230x180,<br>403x310x110, 403x310x180,<br>402x250x120, 406x401x120       |

|                                                                                   | Order symbol  | Code    | Dimensions | EAN code                                                                                              | Description                                                                                      |
|-----------------------------------------------------------------------------------|---------------|---------|------------|-------------------------------------------------------------------------------------------------------|--------------------------------------------------------------------------------------------------|
| <b>Hinges and wall mounting</b>                                                   |               |         |            |                                                                                                       |                                                                                                  |
|  | PH A & AH A/B | 9801047 |            | <br>6 418074 034090 | Hinge set                                                                                        |
|                                                                                   | MRS 28540     | 7028540 | 42x11      | <br>6 418074 033741 | Wall fastening lug (2 pcs), for enclosures:<br>66x60x46-252x81x57,<br>80x75x55-190x75x55         |
|                                                                                   | MRS 28541     | 7028541 | 50x15      | <br>6 418074 033758 | Wall fastening lug (2 pcs), for enclosures:<br>125x124x81-600x310x180,<br>122x120x90-406x401x120 |

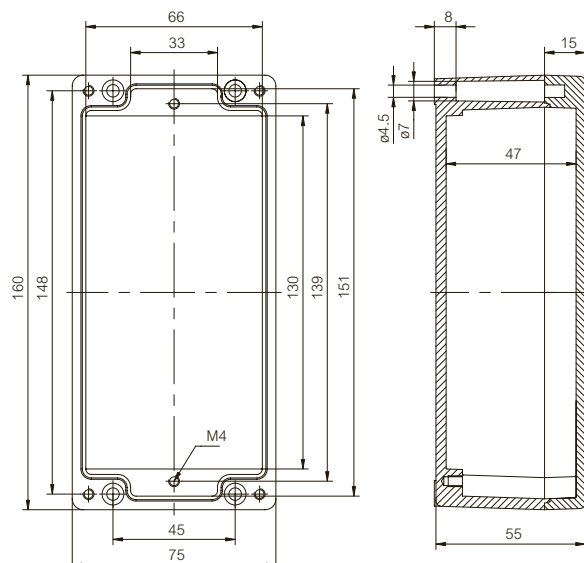
EURONORD P 80x75x55



EURONORD P 110x75x55

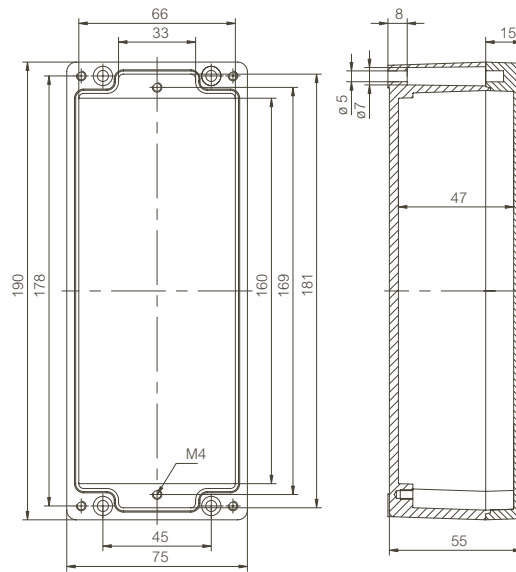


EURONORD P 160x75x55

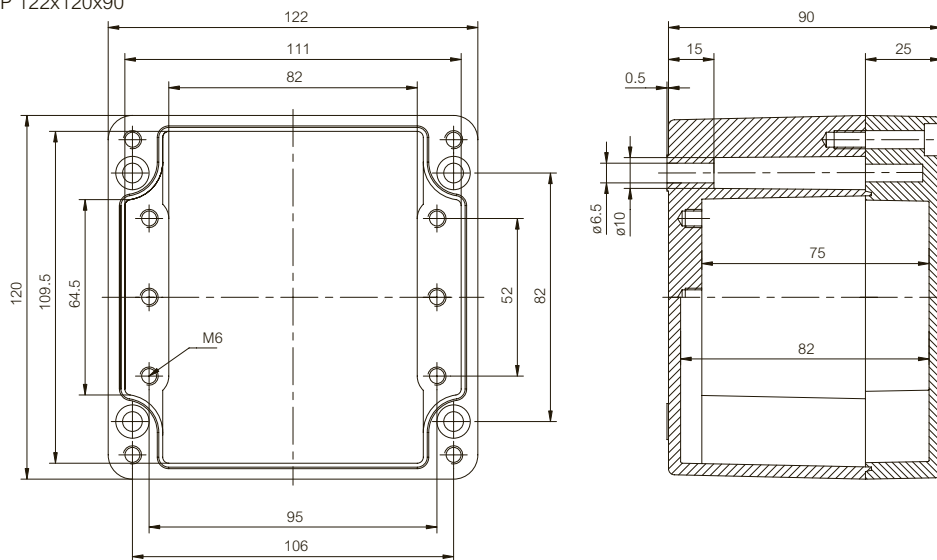


## Dimensional drawings

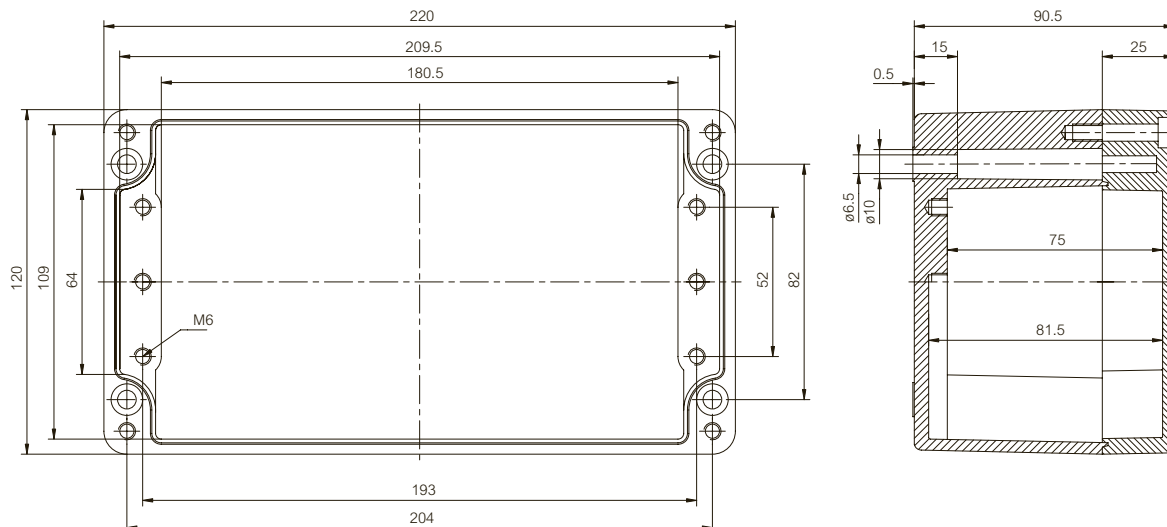
EURONORD P 190x75x55



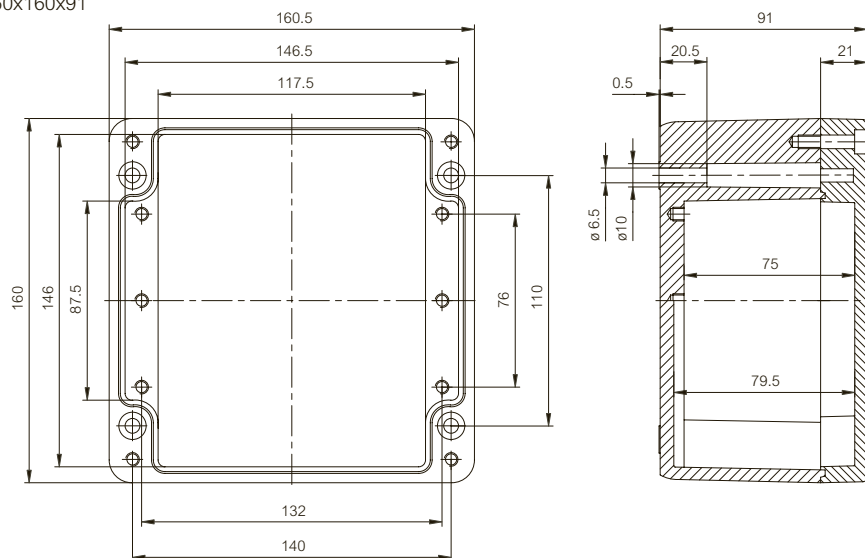
EURONORD P 122x120x90



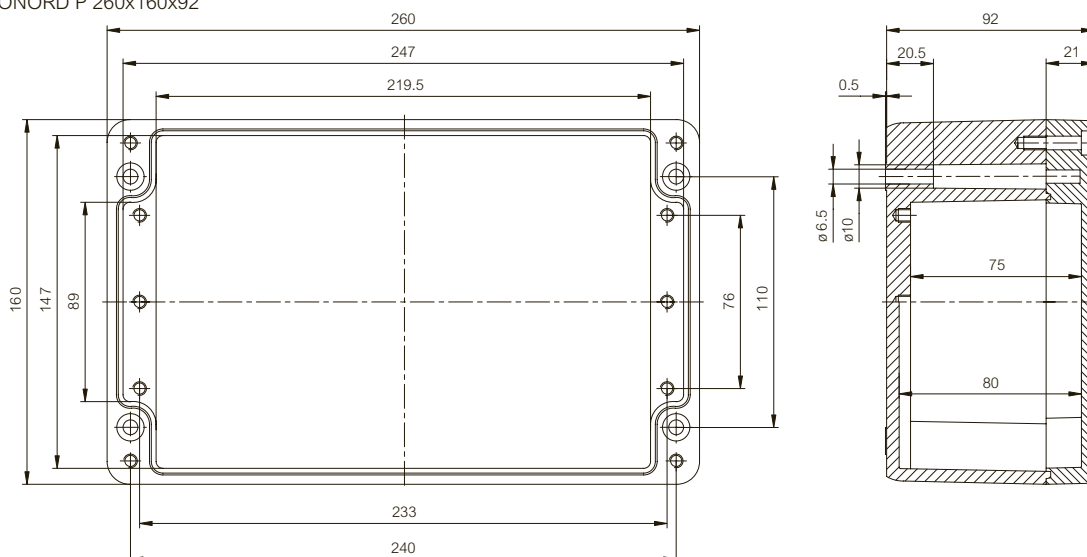
EURONORD P 220x120x90



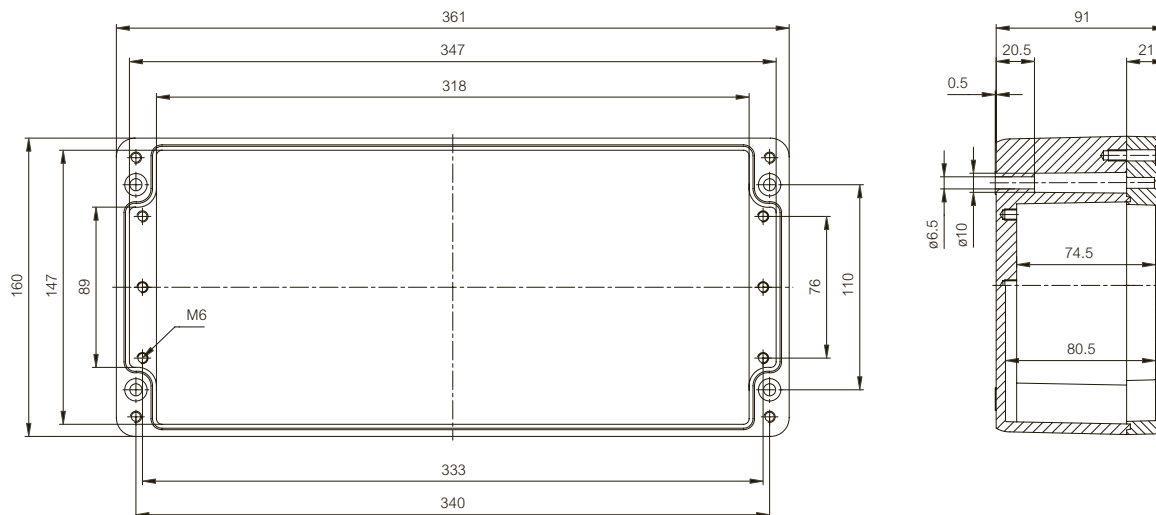
EURONORD P 160x160x91



EURONORD P 260x160x92

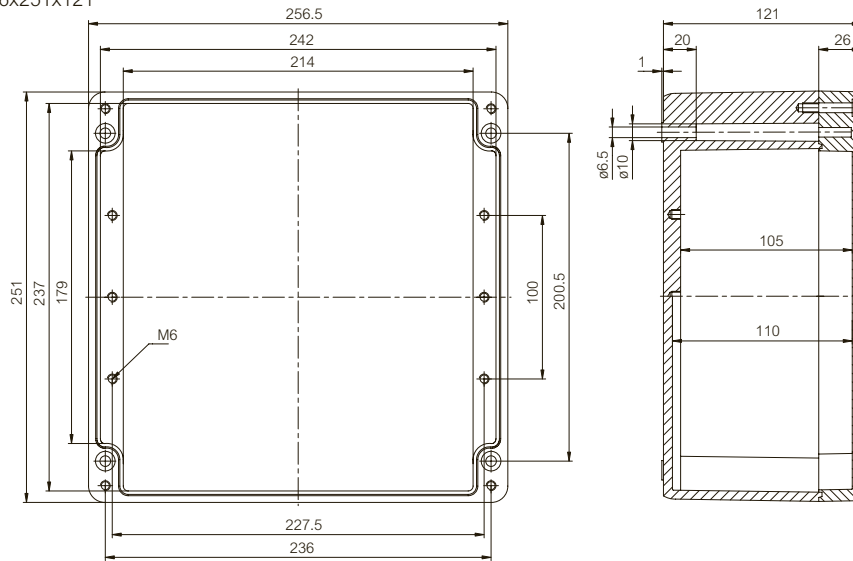


EUNONORD P 361x160x91

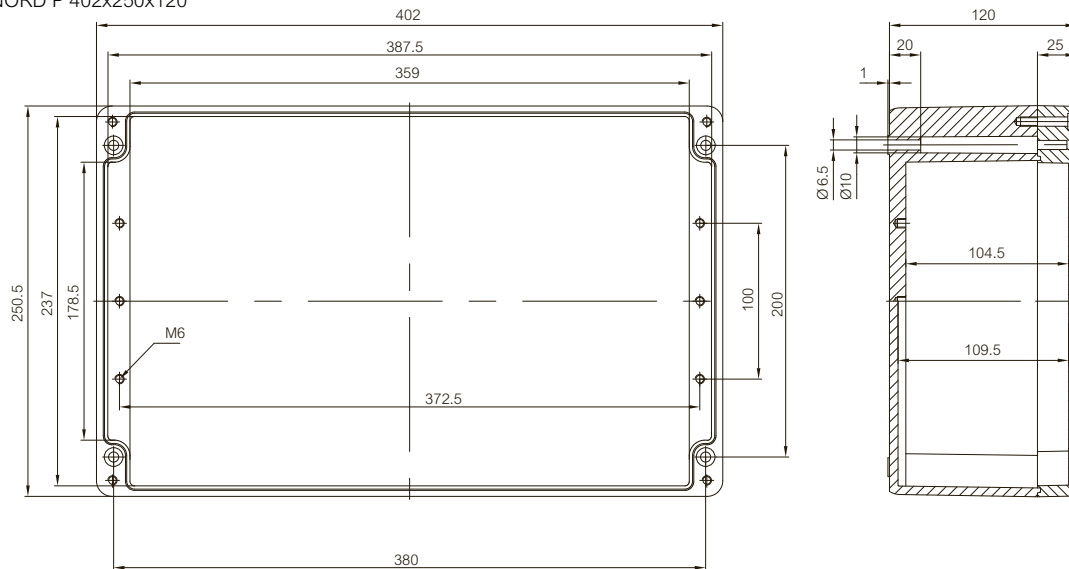


## Dimensional drawings

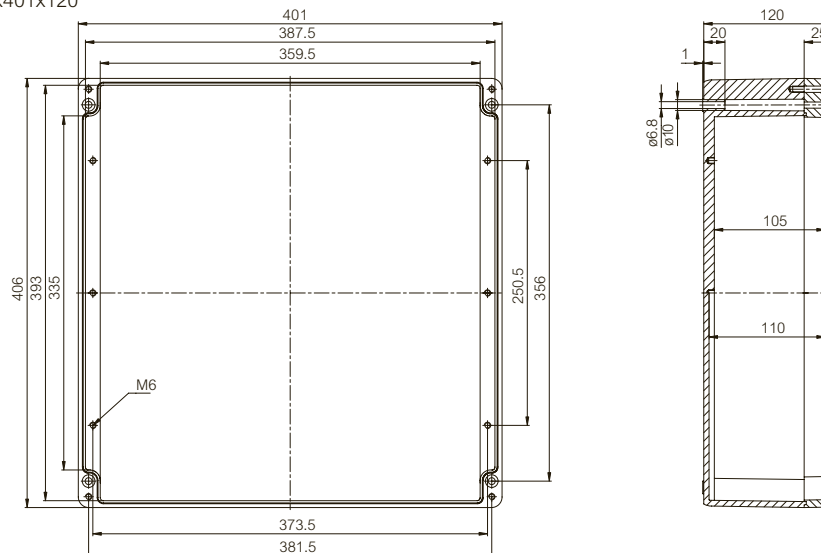
EURONORD P 256x251x121



EURONORD P 402x250x120



EURONORD P 406x401x120

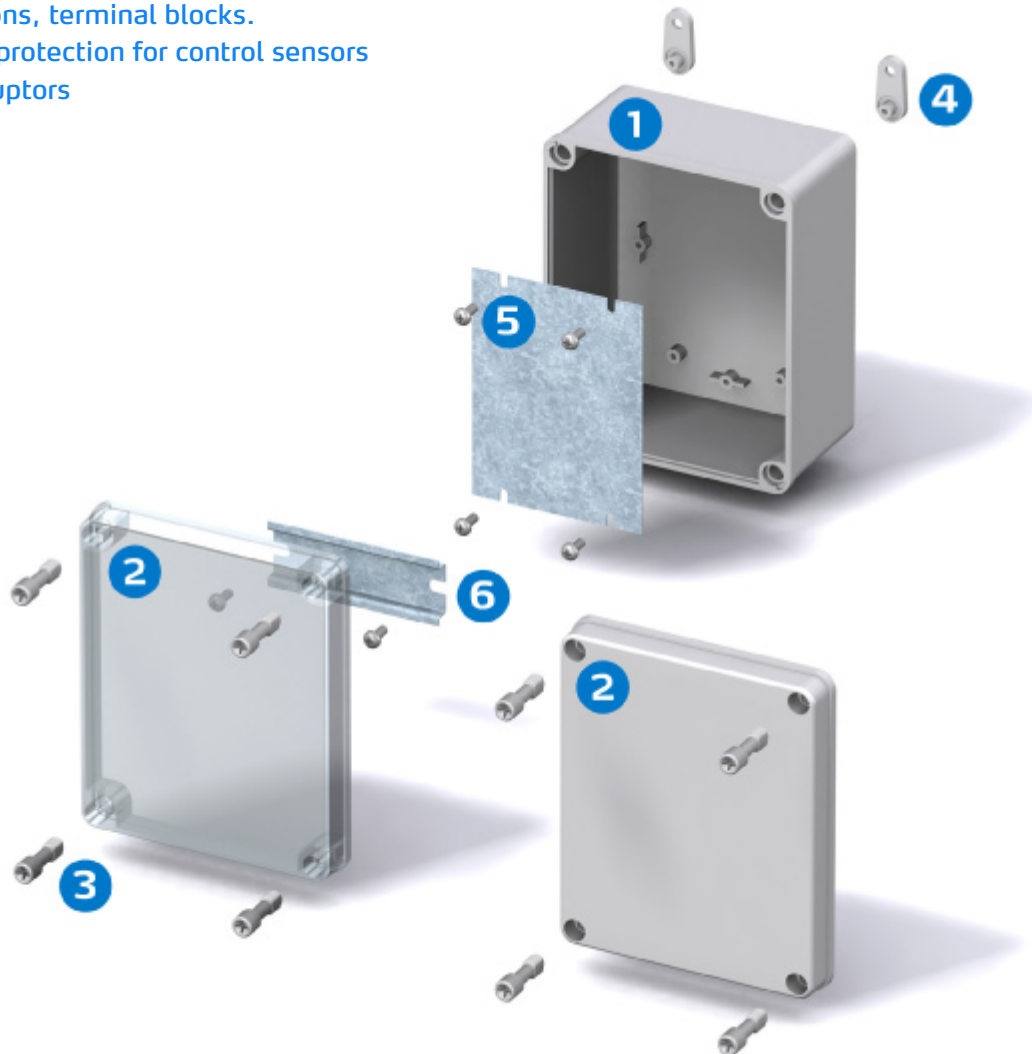




## Protective access

Wherever functions, such as push buttons and sensors, need to see the light of day, Piccolo is the neat solution. It's also modular and adaptable, with a range of sizes and accessories.

Secure protection for electronic devices such as push buttons, terminal blocks.  
Optimum protection for control sensors and interruptors



## Enclosure

- 1 Base
- 2 Cover, grey or transparent
- 3 Cover screws

## Accessories

- 4 Fastening lugs, 2 pcs. incl. screws
- 5 Mounting plate, electro-galvanised steel stable and impact-resistant
- 6 DIN rail different sizes TS 35

# PICCOLO

Including: Base with screws for mounting plate/DIN-rail, cover with PUR gasket and polyamide cover screws.

PC: IP66/IP67, IK08  
ABS: IP66/IP67, IK07

| Dimensions                                                                          | Order Symbol | Code    | EAN Code                                                                                                | Description                         |
|-------------------------------------------------------------------------------------|--------------|---------|---------------------------------------------------------------------------------------------------------|-------------------------------------|
| <b>110x80x65 mm</b>                                                                 |              |         |                                                                                                         |                                     |
|    | PC B 65 G    | 8724303 | <br>6 418074 001955   | Enclosure, PC<br>Grey cover         |
|                                                                                     | PC B 65 T    | 8724003 | <br>6 418074 001948   | Enclosure, PC<br>Transparent cover  |
|                                                                                     | ABS B 65 G   | 8784303 | <br>6 418074 001993   | Enclosure, ABS<br>Grey cover        |
|                                                                                     | ABS B 65 T   | 8784003 | <br>6 418074 001986   | Enclosure, ABS<br>Transparent cover |
| <b>110x80x85 mm</b>                                                                 |              |         |                                                                                                         |                                     |
|   | PC B 85 G    | 8724304 | <br>6 418074 001979   | Enclosure, PC<br>Grey cover         |
|                                                                                     | PC B 85 T    | 8724004 | <br>6 418074 001962 | Enclosure, PC<br>Transparent cover  |
|                                                                                     | ABS B 85 G   | 8784304 | <br>6 418074 002013 | Enclosure, ABS<br>Grey cover        |
|                                                                                     | ABS B 85 T   | 8784004 | <br>6 418074 002006 | Enclosure, ABS<br>Transparent cover |
| <b>140x80x65 mm</b>                                                                 |              |         |                                                                                                         |                                     |
|  | PC C 65 G    | 8724305 | <br>6 418074 002037 | Enclosure, PC<br>Grey cover         |
|                                                                                     | PC C 65 T    | 8724005 | <br>6 418074 002020 | Enclosure, PC<br>Transparent cover  |



| Dimensions                                                                          | Order Symbol | Code    | EAN Code                                                                                                | Description                         |
|-------------------------------------------------------------------------------------|--------------|---------|---------------------------------------------------------------------------------------------------------|-------------------------------------|
| <b>140x80x85 mm</b>                                                                 |              |         |                                                                                                         |                                     |
|    | PC C 85 G    | 8724306 | <br>6 418074 002051   | Enclosure, PC<br>Grey cover         |
|                                                                                     | PC C 85 T    | 8724006 | <br>6 418074 002044   | Enclosure, PC<br>Transparent cover  |
|                                                                                     | ABS C 85 G   | 8784306 | <br>6 418074 002099   | Enclosure, ABS<br>Grey cover        |
|                                                                                     | ABS C 85 T   | 8784006 | <br>6 418074 002082   | Enclosure, ABS<br>Transparent cover |
| <b>170x80x65 mm</b>                                                                 |              |         |                                                                                                         |                                     |
|   | PC D 65 G    | 8724307 | <br>6 418074 002112   | Enclosure, PC<br>Grey cover         |
|                                                                                     | PC D 65 T    | 8724007 | <br>6 418074 002105 | Enclosure, PC<br>Transparent cover  |
|                                                                                     | ABS D 65 G   | 8784307 | <br>6 418074 002150 | Enclosure, ABS<br>Grey cover        |
|                                                                                     | ABS D 65 T   | 8784007 | <br>6 418074 002143 | Enclosure, ABS<br>Transparent cover |
| <b>170x80x85 mm</b>                                                                 |              |         |                                                                                                         |                                     |
|  | PC D 85 G    | 8724308 | <br>6 418074 002136 | Enclosure, PC<br>Grey cover         |
|                                                                                     | PC D 85 T    | 8724008 | <br>6 418074 002129 | Enclosure, PC<br>Transparent cover  |
|                                                                                     | ABS D 85 G   | 8784308 | <br>6 418074 002174 | Enclosure, ABS<br>Grey cover        |
|                                                                                     | ABS D 85 T   | 8784008 | <br>6 418074 002167 | Enclosure, ABS<br>Transparent cover |

# PICCOLO

Including: Base with screws for mounting plate/DIN-rail, cover with PUR gasket and polyamide cover screws.

PC: IP66/IP67, IK08  
ABS: IP66/IP67, IK07

| Dimensions                                                                          | Order Symbol | Code    | EAN Code                                                                                                | Description                         |
|-------------------------------------------------------------------------------------|--------------|---------|---------------------------------------------------------------------------------------------------------|-------------------------------------|
| <b>230x80x65 mm</b>                                                                 |              |         |                                                                                                         |                                     |
|    | PC F 65 G    | 8724311 | <br>6 418074 002198   | Enclosure, PC<br>Grey cover         |
|                                                                                     | PC F 65 T    | 8724011 | <br>6 418074 002181   | Enclosure, PC<br>Transparent cover  |
|                                                                                     | ABS F 65 G   | 8784311 | <br>6 418074 002235   | Enclosure, ABS<br>Grey cover        |
|                                                                                     | ABS F 65 T   | 8784011 | <br>6 418074 002228   | Enclosure, ABS<br>Transparent cover |
| <b>230x80x85 mm</b>                                                                 |              |         |                                                                                                         |                                     |
|   | PC F 85 G    | 8724312 | <br>6 418074 002211   | Enclosure, PC<br>Grey cover         |
|                                                                                     | PC F 85 T    | 8724012 | <br>6 418074 002204 | Enclosure, PC<br>Transparent cover  |
|                                                                                     | ABS F 85 G   | 8784312 | <br>6 418074 002259 | Enclosure, ABS<br>Grey cover        |
|                                                                                     | ABS F 85 T   | 8784012 | <br>6 418074 002242 | Enclosure, ABS<br>Transparent cover |
| <b>170x140x95 mm</b>                                                                |              |         |                                                                                                         |                                     |
|  | PC H 95 G    | 8724315 | <br>6 418074 002273 | Enclosure, PC<br>Grey cover         |
|                                                                                     | PC H 95 T    | 8724015 | <br>6 418074 002266 | Enclosure, PC<br>Transparent cover  |
|                                                                                     | ABS H 95 G   | 8784315 | <br>6 418074 002297 | Enclosure, ABS<br>Grey cover        |
|                                                                                     | ABS H 95 T   | 8784015 | <br>6 418074 002280 | Enclosure, ABS<br>Transparent cover |

| Dimensions                                                                         | Order Symbol | Code    | EAN Code                                                                             | Description                         |
|------------------------------------------------------------------------------------|--------------|---------|--------------------------------------------------------------------------------------|-------------------------------------|
| <b>230x140x95 mm</b>                                                               |              |         |                                                                                      |                                     |
|   | PC M 95 G    | 8724318 |    | Enclosure, PC<br>Grey cover         |
|                                                                                    | PC M 95 T    | 8724018 |    | Enclosure, PC<br>Transparent cover  |
|                                                                                    | ABS M 95 G   | 8784318 |    | Enclosure, ABS<br>Grey cover        |
|                                                                                    | ABS M 95 T   | 8784018 |    | Enclosure, ABS<br>Transparent cover |
| <b>230x140x125 mm</b>                                                              |              |         |                                                                                      |                                     |
|  | PC MH 125 G  | 8724319 |    | Enclosure, PC<br>Grey cover         |
|                                                                                    | PC MH 125 T  | 8724019 |  | Enclosure, PC<br>Transparent cover  |
|                                                                                    | ABS MH 125 G | 8784319 |  | Enclosure, ABS<br>Grey cover        |
|                                                                                    | ABS MH 125 T | 8784019 |  | Enclosure, ABS<br>Transparent cover |

## PICCOLO technical information

| Property                                                   | Polycarbonate (PC)                        | ABS                       |
|------------------------------------------------------------|-------------------------------------------|---------------------------|
| Ingress Protection (EN 60529)                              | IP 66/IP 67                               | IP 66/IP 67               |
| Impact Resistance (EN 62262)                               | IK 08                                     | IK 07                     |
| Temperature Range Celsius                                  | -40° . . 120°C                            | -40° . . 80°C             |
| (short term) Fahrenheit                                    | -40° . . 250°F                            | -40° . . 175°F            |
| Temperature Range Celsius                                  | -40° . . 80°C                             | -40° . . 60°C             |
| (continuous) Fahrenheit                                    | -40° . . 175°F                            | -40° . . 140°F            |
| Electrical Insulation                                      | Totally insulated ☐                       | Totally insulated ☐       |
| Light Grey Parts Colour                                    | RAL 7035<br>Industry Grey                 | RAL 7035<br>Industry Grey |
| Transparent Clear PC Cover                                 | Clear transparent                         | Clear transparent         |
| Cover Screws                                               | RAL 7035                                  | RAL 7035                  |
| Cover Screws                                               | Polyamide (PA)                            | Polyamide (PA)            |
| Gasket                                                     | PUR                                       | PUR                       |
| Enclosure Flammability Rating                              | UL 746C 5V*                               |                           |
| Glow Wire Test<br>(IEC 695-2-1) Self-extinguishing<br>(PC) | 960°C                                     | 650°C                     |
| Non-toxicity                                               | Halogen Free                              | Halogen Free              |
| UV resistance                                              | UL 508<br>720 hours in<br>"Weatherometer" |                           |
| Chemical Resistance **                                     | Good                                      | Good                      |

### Conformity to standards

**USA** Enclosures for Electrical Equipment  
PC: UL Type 1, 4X, 6, 12 or 13; UL File E75645 Vol 1 Sec 3;  
UL 746C-5VA flame test (UL 50/508)\*  
**ABS:** NEMA 1, 4X, 6, 12 or 13

**Canada** Industrial Control Equipment  
Enclosures for Electrical Equipment/ULc\*

**Europe** Empty enclosures for low-voltage switchgear and  
controlgear assemblies EN 62208:2003

**Europe** Safety of Information Technology Equipment  
EN 60950  
RoHS directive 2002/95/EC







**Russia** GostR - Gost Russian certificate of conformity

\*UL label on request

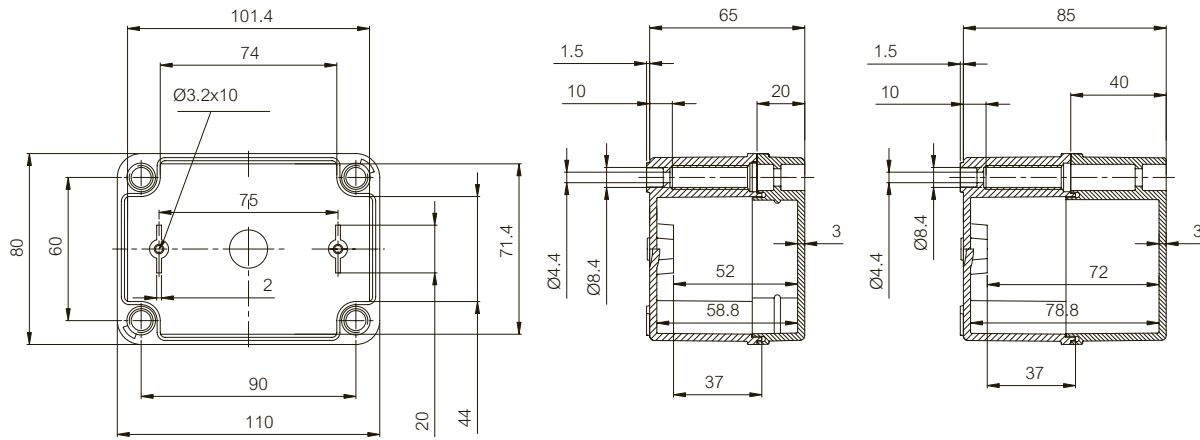
Data subject to change without notice.

\*\*Consult separate raw material data for more detailed information

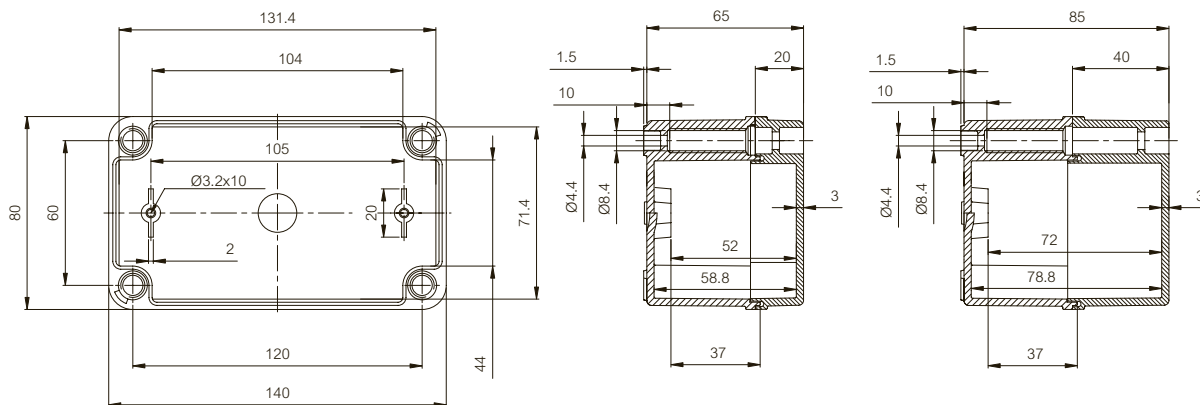
|                                                                                     | Order symbol | Code    | Dimensions | EAN code                                                                                             | Description                                                                         |
|-------------------------------------------------------------------------------------|--------------|---------|------------|------------------------------------------------------------------------------------------------------|-------------------------------------------------------------------------------------|
| <b>Mounting plates (Galvanized steel, sheet thickness 1,5 mm)</b>                   |              |         |            |                                                                                                      |                                                                                     |
|    | B-MP         | 8524060 | 54x80      |  6 418074 033574   | Mounting plate, for enclosures: 110x80x65, 110x80x85                                |
|                                                                                     | C-MP         | 8524061 | 54x110     |  6 418074 033581   | Mounting plate, for enclosures: 140x80x65, 140x80x85                                |
|                                                                                     | D-MP         | 8524062 | 54x140     |  6 418074 033598   | Mounting plate, for enclosures: 170x80x65, 170x80x85                                |
|                                                                                     | F-MP         | 8524063 | 54x200     |  6 418074 033604   | Mounting plate, for enclosures: 230x80x65, 230x80x85                                |
|                                                                                     | H-MP         | 8524064 | 94x125     |  6 418074 033611   | Mounting plate, for enclosures: 170x140x95                                          |
|                                                                                     | M-MP         | 8524065 | 94x185     |  6 418074 033628  | Mounting plate, for enclosures: 230x140x95, 230x140x125                             |
| <b>DIN-35 Mounting rails (Galvanized steel, rail height 7,5 mm)</b>                 |              |         |            |                                                                                                      |                                                                                     |
|  | B-3          | 8524030 | 80x35      |  6 418074 033499 | DIN-35 Mounting rail, for enclosures: 100x100x35-100x100x75, 110x80x65, 110x80x85   |
|                                                                                     | CHM-3        | 8524031 | 110x35     |  6 418074 033505 | DIN-35 Mounting rail, for enclosures: 140x80x65, 140x80x85, 170x140x95, 230x140x95  |
|                                                                                     | DH-3         | 8524032 | 140x35     |  6 418074 033512 | DIN-35 Mounting rail, for enclosures: 170x80x65, 170x80x85, 170x140x95              |
|                                                                                     | FM-3         | 8524033 | 200x35     |  6 418074 033529 | DIN-35 Mounting rail, for enclosures: 230x80x65, 230x80x85, 230x140x95, 230x140x125 |
| <b>Hinges and wall mounting</b>                                                     |              |         |            |                                                                                                      |                                                                                     |
|  | PA 22039     | 8522339 |            |  6 418074 033468 | Hinges (2 pcs) incl. screws                                                         |
|                                                                                     | TH A         | 9802001 |            |  6 418074 034120 | Grey plastic hinges (2 pcs) incl. mounting screws                                   |
|                                                                                     | FP 22040     | 8522340 |            |  6 418074 033475 | Wall fastening lug (2 pcs), for enclosures: 110x80x65-230x80x85                     |
|                                                                                     | FP 22046     | 8522346 |            |  6 418074 033482 | Wall fastening lug (4 pcs) incl. screws                                             |

|                                                                                   | Order symbol | Code    | Dimensions | EAN code                                                                                              | Description                                 |
|-----------------------------------------------------------------------------------|--------------|---------|------------|-------------------------------------------------------------------------------------------------------|---------------------------------------------|
| <b>Cover and mounting screws</b>                                                  |              |         |            |                                                                                                       |                                             |
|  | S-20         | 8522001 |            | <br>6 418074 033444 | Cover screw, grey, polyamide for 20mm cover |
|                                                                                   | S-40         | 8522002 |            | <br>6 418074 033451 | Cover screw, grey, polyamide for 40mm cover |
|                                                                                   | MB S-20KN    | 8524001 |            | <br>6 418074 036179 | Screw set<br>4x S-20 + 4x KN 3.9x9.5        |
|                                                                                   | MB S-40KN    | 8524002 |            | <br>6 418074 036186 | Screw set<br>4x S-40 + 4x KN 3.9x9.5        |
|                                                                                   | KN 3.9x9.5   | 5514042 |            | <br>6 418074 039477 | Mounting screw                              |

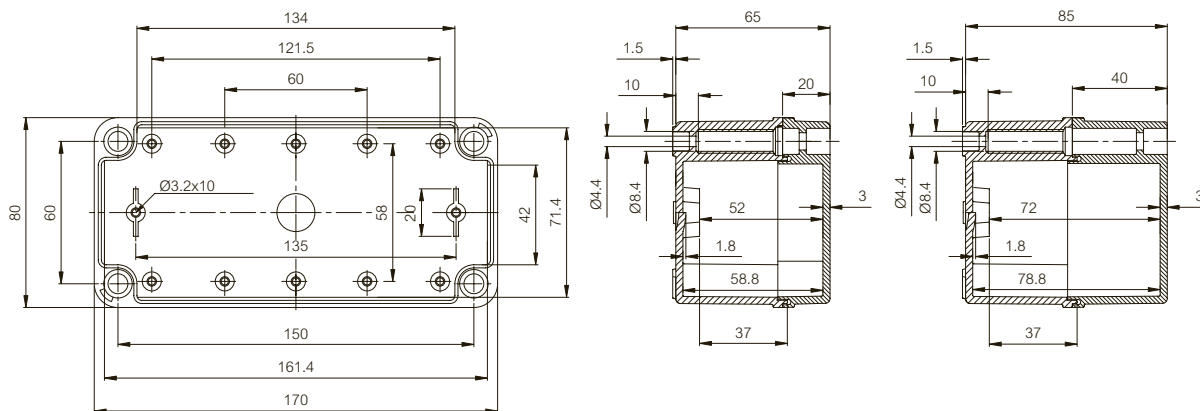
PICCOLO 110x80x65-85



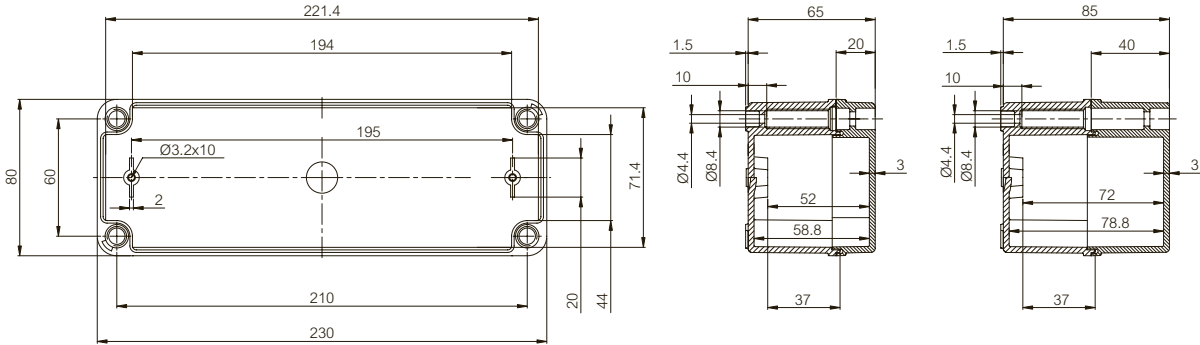
PICCOLO 140x80x65-85



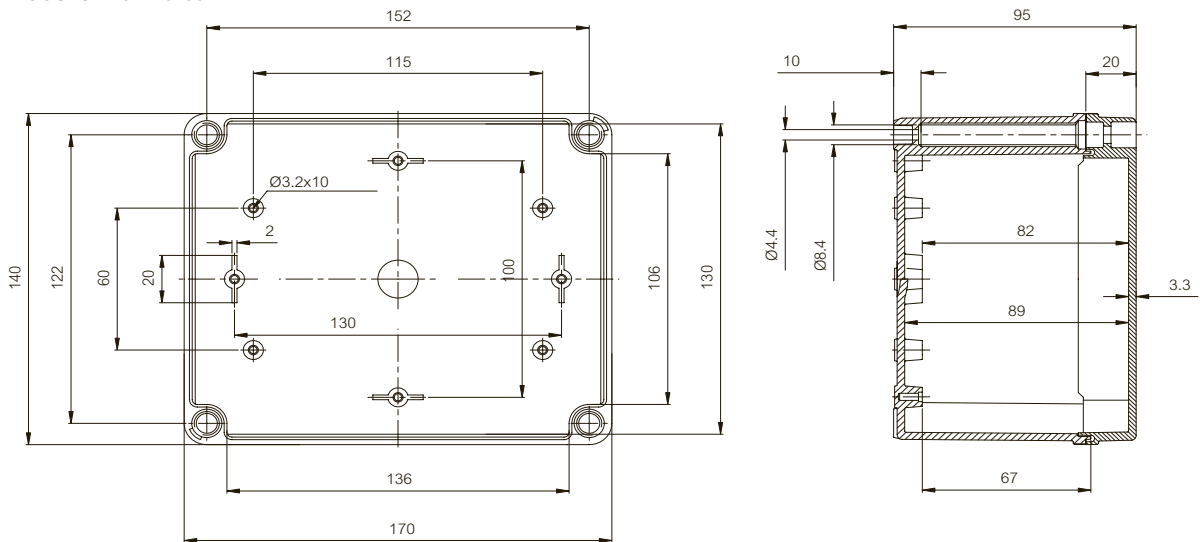
PICCOLO 170x80x65-85



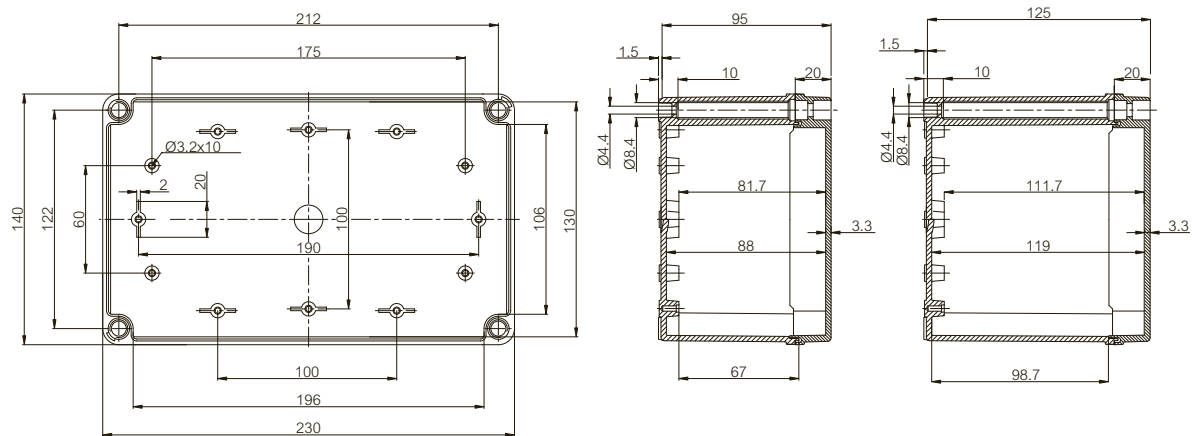
PICCOLO 230x80x65-85



PICCOLO 170x140x95



PICCOLO 230x140x95-125





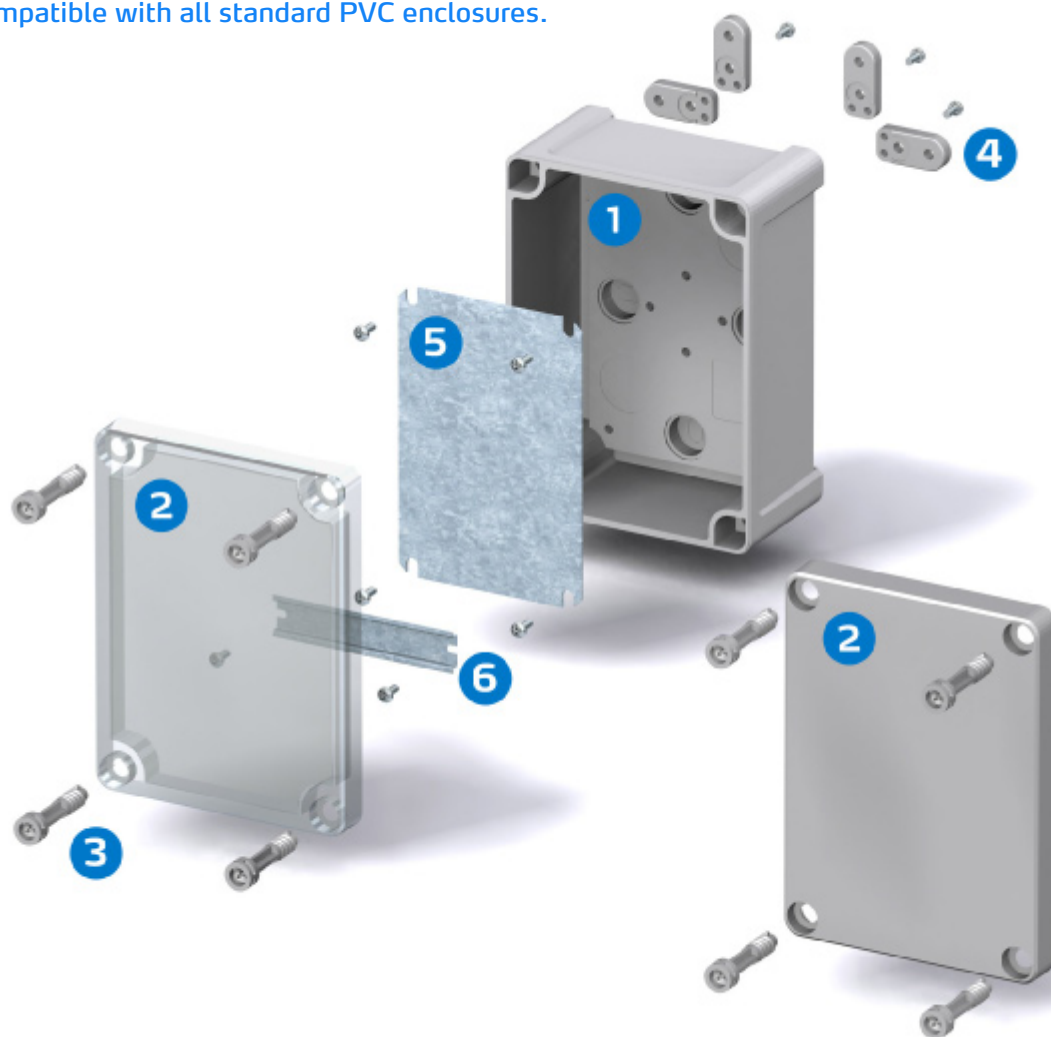




## Enclosed in seconds!

As its name suggests, Tempo doesn't like to hang around. Need an enclosure that's easy on the pocket and installed in seconds, but still gets the job done? Tempo does all this and still meets high, recognised standards.

Quickly assembled with rapid hinge,  
compatible with all standard PVC enclosures.



## Enclosure

- 1 Base
- 2 Cover, grey or transparent
- 3 Cover screws
- holding hinge, transparent





## Accessories

- 4 Fastening lugs (set)
- 5 Mounting plate, Pertinax or steel, galvanised
- 6 DIN rail TS 15 / TS 35

# TEMPO

Including: Base with PUR gasket and screws for mounting plate/DIN-rail, cover with polyamide cover screws and plastic hinges(201610-342912).

ABS: IP65, IK07

| Dimensions                                                                          | Order Symbol | Code    | EAN Code                                                                                                | Description                                     |
|-------------------------------------------------------------------------------------|--------------|---------|---------------------------------------------------------------------------------------------------------|-------------------------------------------------|
| <b>95x65x60 mm</b>                                                                  |              |         |                                                                                                         |                                                 |
|    | TA090706     | 5814038 | <br>6 418074 011466   | Enclosure, ABS<br>Grey cover                    |
|                                                                                     | TAM090706    | 5814020 | <br>6 418074 011428   | Enclosure, ABS, metric knock-outs<br>Grey cover |
| <b>110x110x65 mm</b>                                                                |              |         |                                                                                                         |                                                 |
|   | TA111107     | 5814039 | <br>6 418074 011473   | Enclosure, ABS<br>Grey cover                    |
|                                                                                     | TAM111107    | 5814021 | <br>6 418074 011435  | Enclosure, ABS, metric knock-outs<br>Grey cover |
| <b>130x95x65 mm</b>                                                                 |              |         |                                                                                                         |                                                 |
|  | TA131007     | 5814040 | <br>6 418074 011480 | Enclosure, ABS<br>Grey cover                    |
|                                                                                     | TAM131007    | 5814022 | <br>6 418074 011442 | Enclosure, ABS, metric knock-outs<br>Grey cover |
| <b>130x130x75 mm</b>                                                                |              |         |                                                                                                         |                                                 |
|  | TA131308     | 5814041 | <br>6 418074 011497 | Enclosure, ABS<br>Grey cover                    |
|                                                                                     | TAM131308    | 5814023 | <br>6 418074 011459 | Enclosure, ABS, metric knock-outs<br>Grey cover |

| Dimensions                                                                          | Order Symbol | Code    | EAN Code                                                                                                | Description                                                  |
|-------------------------------------------------------------------------------------|--------------|---------|---------------------------------------------------------------------------------------------------------|--------------------------------------------------------------|
| <b>187x122x90 mm</b>                                                                |              |         |                                                                                                         |                                                              |
|    | TA191209     | 5814000 | <br>6 418074 060723   | Enclosure, ABS<br>Grey cover                                 |
|                                                                                     | TAM191209    | 5814024 | <br>6 418074 062666   | Enclosure, ABS, metric knock-outs<br>Grey cover              |
|                                                                                     | TA191209T    | 5814005 | <br>6 418074 060778   | Enclosure, ABS<br>Clear transparent cover                    |
|                                                                                     | TAM191209T   | 5814029 | <br>6 418074 062680   | Enclosure, ABS, metric knock-outs<br>Clear transparent cover |
| <b>201x163x98 mm</b>                                                                |              |         |                                                                                                         |                                                              |
|   | TA201610     | 5814001 | <br>6 418074 060730   | Enclosure, ABS<br>Grey cover                                 |
|                                                                                     | TAM201610    | 5814025 | <br>6 418074 062673 | Enclosure, ABS, metric knock-outs<br>Grey cover              |
|                                                                                     | TA201610T    | 5814006 | <br>6 418074 060785 | Enclosure, ABS<br>Clear transparent cover                    |
|                                                                                     | TAM201610T   | 5814030 | <br>6 418074 062697 | Enclosure, ABS, metric knock-outs<br>Clear transparent cover |
| <b>240x191x107 mm</b>                                                               |              |         |                                                                                                         |                                                              |
|  | TA241911     | 5814002 | <br>6 418074 060747 | Enclosure, ABS<br>Grey cover                                 |
|                                                                                     | TA241911T    | 5814007 | <br>6 418074 060792 | Enclosure, ABS<br>Clear transparent cover                    |

# TEMPO

Including: Base with PUR gasket and screws for mounting plate/DIN-rail, cover with polyamide cover screws and plastic hinges(201610-342912).

ABS: IP65, IK07

| Dimensions                                                                         | Order Symbol | Code    | EAN Code                                                                                               | Description                               |
|------------------------------------------------------------------------------------|--------------|---------|--------------------------------------------------------------------------------------------------------|-------------------------------------------|
| <b>289x239x107 mm</b>                                                              |              |         |                                                                                                        |                                           |
|   | TA292411     | 5814003 | <br>6 418074 060754  | Enclosure, ABS<br>Grey cover              |
|                                                                                    | TA292411T    | 5814008 | <br>6 418074 060808  | Enclosure, ABS<br>Clear transparent cover |
| <b>344x289x117 mm</b>                                                              |              |         |                                                                                                        |                                           |
|  | TA342912     | 5814004 | <br>6 418074 060761  | Enclosure, ABS<br>Grey cover              |
|                                                                                    | TA342912T    | 5814009 | <br>6 418074 060815 | Enclosure, ABS<br>Clear transparent cover |

## TEMPO technical information

| Property                                             | ABS                       |
|------------------------------------------------------|---------------------------|
| Ingress Protection (EN 60529)                        | IP 65                     |
| Impact Resistance (EN 62262)                         | IK 07                     |
| Temperature Range Celsius (short term)               | -40° . . .80°C            |
| Temperature Range Celsius (continuous)               | -40° . . .175°F           |
| Temperature Range Celsius (short term)               | -40° . . .60°C            |
| Temperature Range Celsius (continuous)               | -40° . . .140°F           |
| Electrical Insulation                                | Totally insulated ☐       |
| Light Grey Parts Colour                              | RAL 7035<br>Industry Grey |
| Transparent Clear PC Cover                           | Clear transparent         |
| Cover Screws                                         | Grey                      |
| Cover Screws                                         | Polyamide (PA)            |
| Gasket                                               | PUR                       |
| Enclosure Flammability Rating                        | UL 746C 5V                |
| Glow Wire Test (IEC 695-2-1) Self-extinguishing (PC) | 650°C                     |
| Non-toxicity                                         | Halogen Free              |
| Chemical Resistance *                                | Good                      |

## Conformity to standards

**Europe** Empty enclosures for low-voltage switchgear and controlgear assemblies  
EN 62208:2003  
**RoHS** directive 2002/95/EC

Data subject to change without notice.

\*Consult separate raw material data for more detailed information

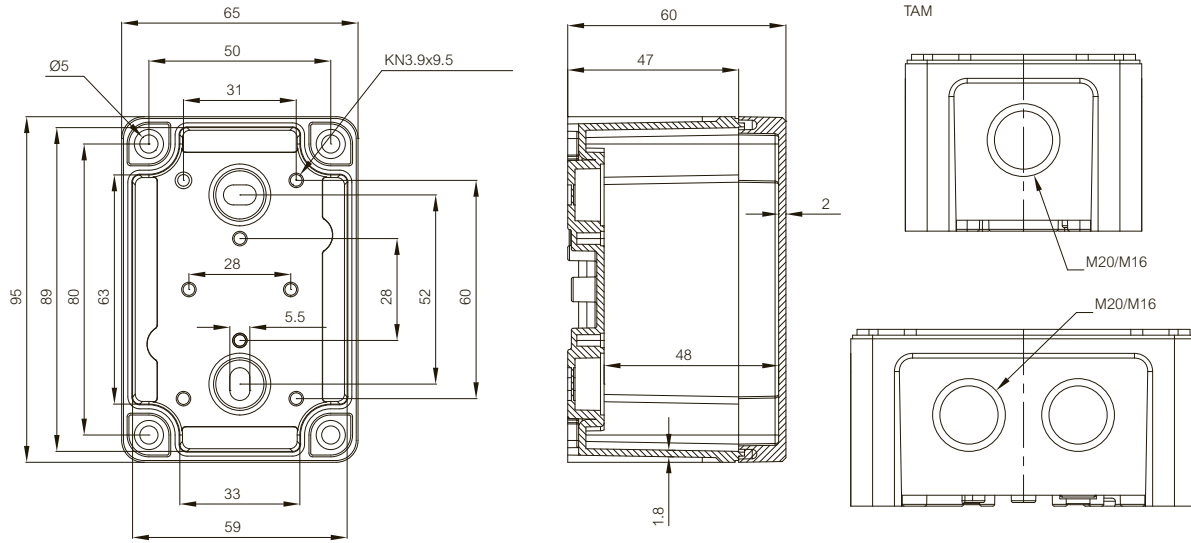
|                                                                                     | Order symbol | Code    | Dimensions | EAN code                                                                                                | Description                                                               |
|-------------------------------------------------------------------------------------|--------------|---------|------------|---------------------------------------------------------------------------------------------------------|---------------------------------------------------------------------------|
| <b>Mounting plates (Galvanized steel, sheet thickness 1,5 mm)</b>                   |              |         |            |                                                                                                         |                                                                           |
|    | MP 0907      | 5518060 | 44x60      | <br>6 418074 011350   | Mounting plate, for enclosures:<br>95x65x60                               |
|                                                                                     | MP 1111      | 5518061 | 85x90      | <br>6 418074 011367   | Mounting plate, for enclosures:<br>110x110x65                             |
|                                                                                     | MP 1310      | 5518062 | 70x105     | <br>6 418074 011374   | Mounting plate, for enclosures:<br>130x95x65                              |
|                                                                                     | MP 1313      | 5518063 | 108x108    | <br>6 418074 011381   | Mounting plate, for enclosures:<br>130x130x75                             |
|                                                                                     | MP 1912      | 5518022 | 100x140    | <br>6 418074 061119   | Mounting plate, for enclosures:<br>187x122x90                             |
|                                                                                     | MP 2016      | 5518023 | 140x155    | <br>6 418074 061126  | Mounting plate, for enclosures:<br>201x163x98                             |
|                                                                                     | MP 2419      | 5518024 | 160x210    | <br>6 418074 061133 | Mounting plate, for enclosures:<br>240x191x107                            |
|                                                                                     | MP 2924      | 5518025 | 215x265    | <br>6 418074 061140 | Mounting plate, for enclosures:<br>289x239x107                            |
|                                                                                     | MP 3429      | 5518026 | 265x315    | <br>6 418074 061157 | Mounting plate, for enclosures:<br>344x289x117                            |
| <b>DIN-35 Mounting rails (Galvanized steel, rail height 7,5 mm)</b>                 |              |         |            |                                                                                                         |                                                                           |
|  | DRM 50       | 5518064 | 50x15      | <br>6 418074 009791 | DIN-15 Mounting rail, for enclosures:<br>95x65x60                         |
|                                                                                     | DRM 80       | 5518065 | 80x15      | <br>6 418074 009807 | DIN-15 Mounting rail, for enclosures:<br>110x110x65                       |
|                                                                                     | DRM 100      | 5518066 | 100x15     | <br>6 418074 009814 | DIN-15 Mounting rail, for enclosures:<br>130x95x65, 130x130x75            |
|                                                                                     | MIV 10       | 5514082 | 100x35     | <br>6 418074 033192 | DIN-35 Mounting rail, for enclosures:<br>130x80x35-180x130x175            |
|                                                                                     | DH-3         | 8524032 | 140x35     | <br>6 418074 033512 | DIN-35 Mounting rail, for enclosures:<br>170x80x65, 170x80x85, 170x140x95 |

|                                                                                     | Order symbol | Code    | Dimensions | EAN code                                                                                                | Description                                                      |
|-------------------------------------------------------------------------------------|--------------|---------|------------|---------------------------------------------------------------------------------------------------------|------------------------------------------------------------------|
|                                                                                     | EKV 12       | 3770647 | 160x35     | <br>6 418074 031969   | DIN-35 Mounting rail, for enclosures:<br>190x190x130-380x190x180 |
|                                                                                     | DR 210       | 5518027 | 210x35     | <br>6 418074 061164   | DIN-35 Mounting rail, for enclosures:<br>240x191x107             |
|                                                                                     | DR 215       | 5518029 | 215x35     | <br>6 418074 061188   | DIN-35 Mounting rail, for enclosures:<br>289x239x107             |
|                                                                                     | ARH 2328     | 9822012 | 260x35     | <br>6 418074 034373   | DIN-35 Mounting rail, for enclosures:<br>280x230x110             |
|                                                                                     | DR 265       | 5518028 | 265x35     | <br>6 418074 061171   | DIN-35 Mounting rail, for enclosures:<br>289x239x107             |
|                                                                                     | DR 316       | 5518030 | 316x35     | <br>6 418074 061195  | DIN-35 Mounting rail, for enclosures:<br>344x289x117             |
| <b>Hinges and wall mounting</b>                                                     |              |         |            |                                                                                                         |                                                                  |
|  | TH T         | 5510021 |            | <br>6 418074 061911 | Hinge set (2 pcs)                                                |
|                                                                                     | FP 10674     | 5510674 |            | <br>6 418074 033079 | Wall fastening lug (2 pcs)<br>incl. screws                       |
|                                                                                     | FEP 26150    | 7366150 |            | <br>6 418074 015389 | Wall fastening cover plug                                        |
| <b>Cover screws</b>                                                                 |              |         |            |                                                                                                         |                                                                  |
|  | MBS HH       | 6300004 |            | <br>6 418074 023414 | High cover (25-100 mm)<br>High base (50-125 mm)                  |
|                                                                                     | MBS 18020    | 5510020 |            | <br>6 418074 061898 | Cover screw set (4 pcs)                                          |

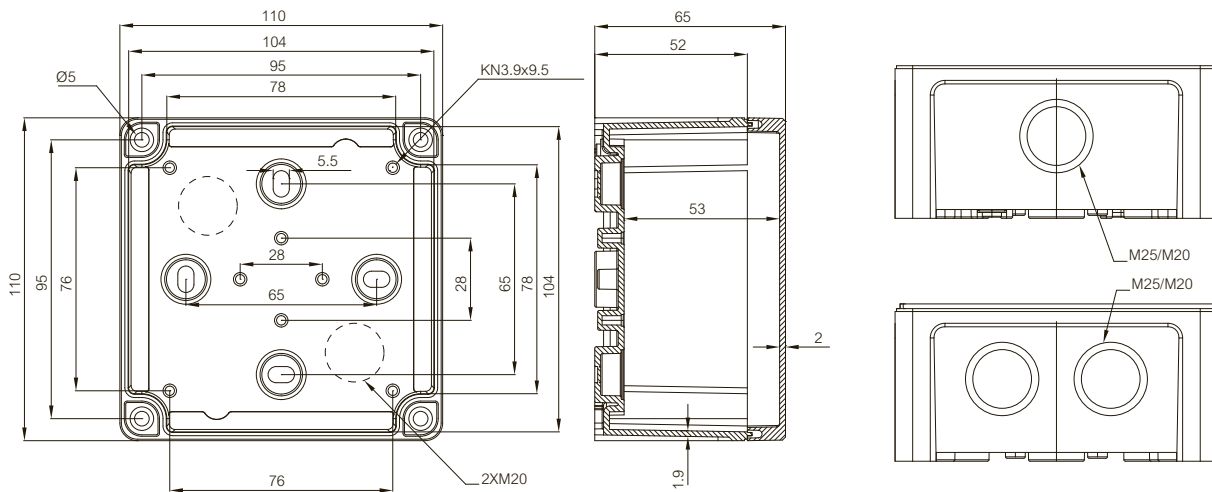
|                                                                                    | Order symbol      | Code    | Dimensions | EAN code                                                                                                | Description                                   |
|------------------------------------------------------------------------------------|-------------------|---------|------------|---------------------------------------------------------------------------------------------------------|-----------------------------------------------|
| <b>Polyamide wing head and sealing plug sets</b>                                   |                   |         |            |                                                                                                         |                                               |
|   | MBS 14552         | 6300005 |            | <br>6 418074 005144   | Grey wing head set (40 pcs)                   |
|                                                                                    | DPS 14553         | 6300006 |            | <br>6 418074 005151   | Grey sealing plug set (40 pcs)                |
| <b>Spacers and mounting screws</b>                                                 |                   |         |            |                                                                                                         |                                               |
|  | TS H15 SET        | 5510031 |            | <br>6 418074 061942   | Spacer set for mounting plate M4/15mm (4 pcs) |
|                                                                                    | TS H30 SET        | 5510032 |            | <br>6 418074 061959  | Spacer set for mounting plate M4/30mm (4 pcs) |
|                                                                                    | KN 3.9x9.5-10 SET | 5614042 |            | <br>6 418074 062130 | Mounting screw set 10pcs                      |

## Dimensional drawings

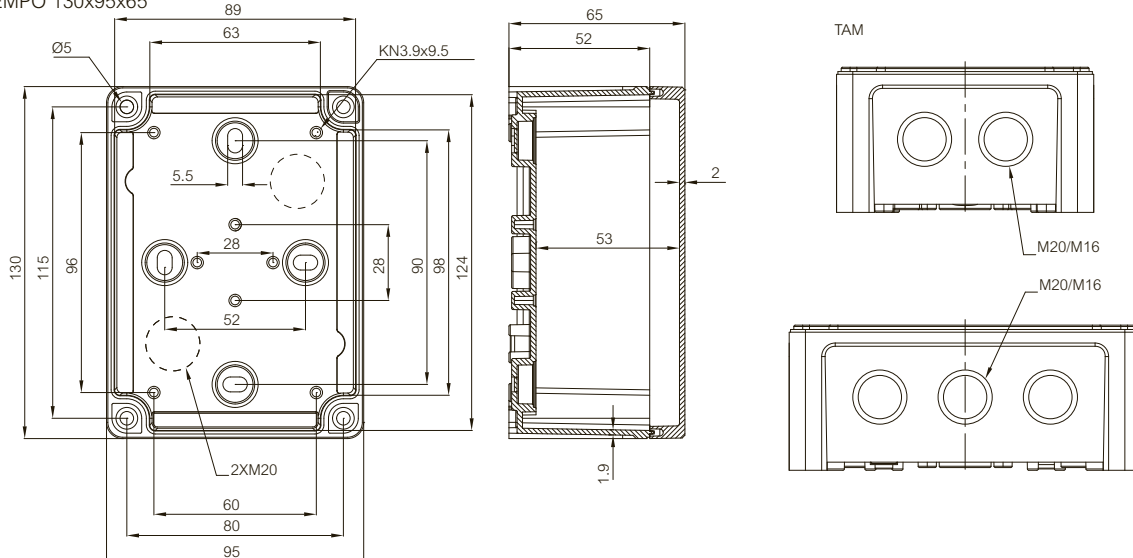
TEMPO 92x65x60



TEMPO 110x110x65

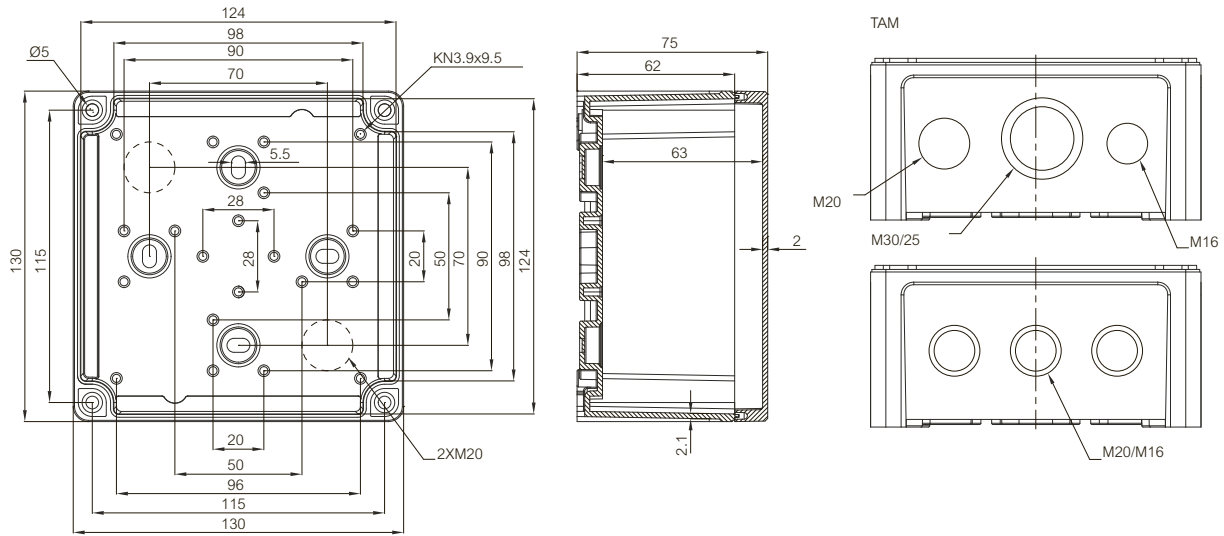


TEMPO 130x95x65

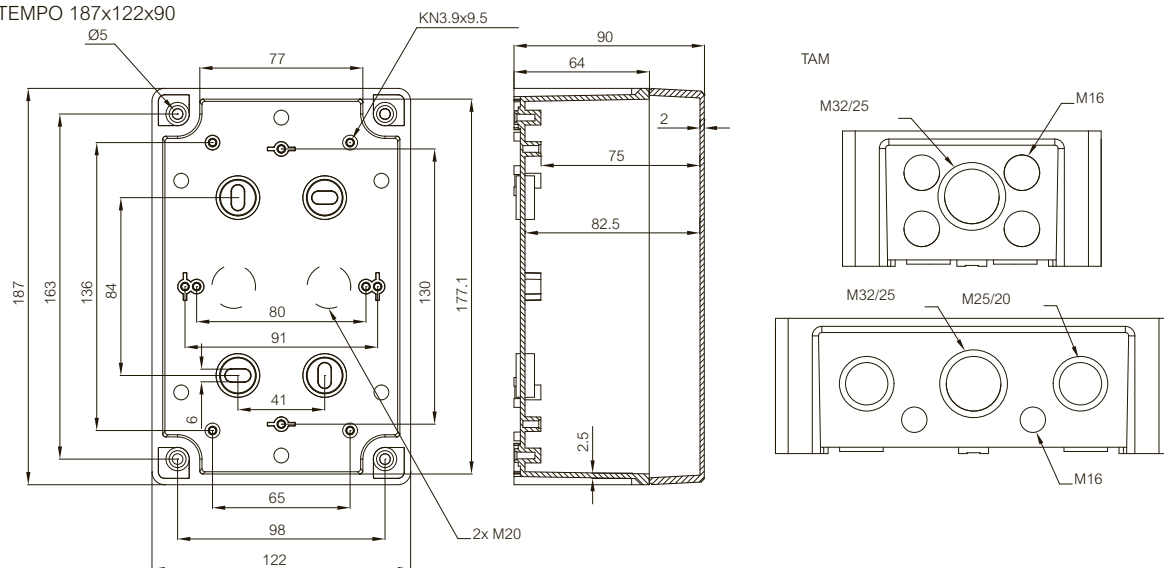




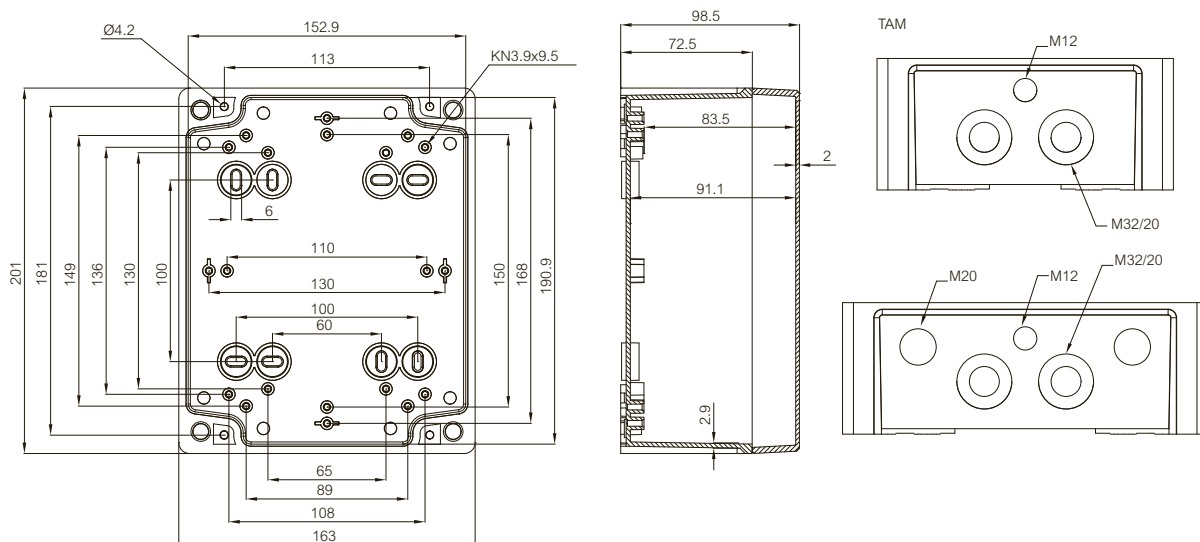
TEMPO 130x130x75



TEMPO 187x122x90

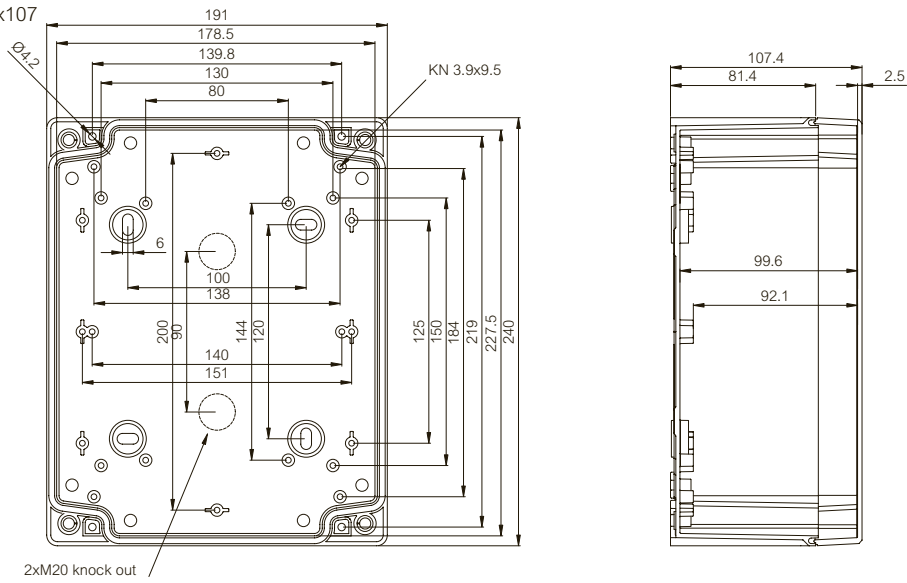


TEMPO 201x163x98

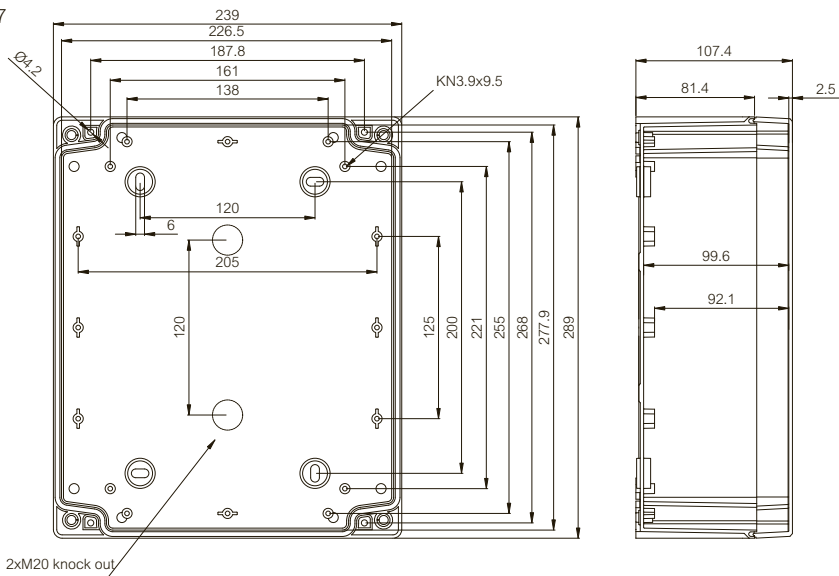


## Dimensional drawings

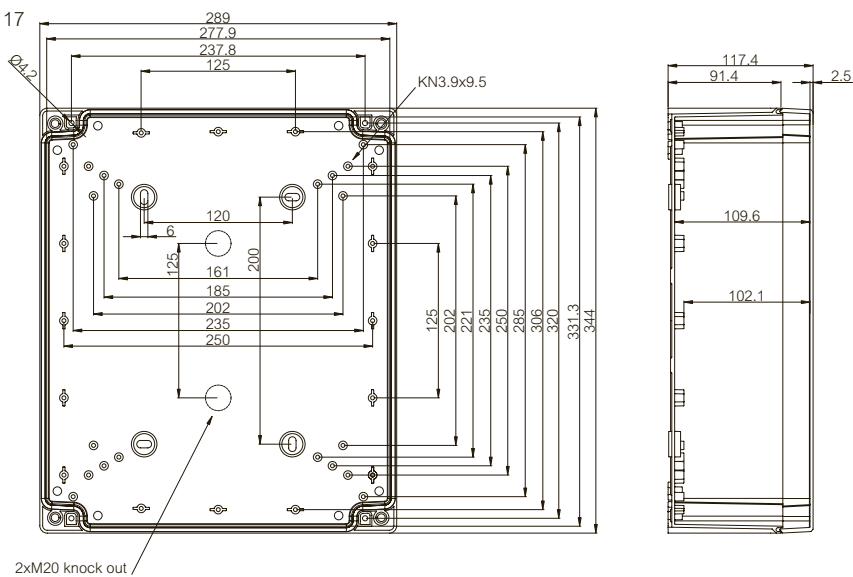
TEMPO 240x191x107



TEMPO 289x239x107



TEMPO 344x289x117

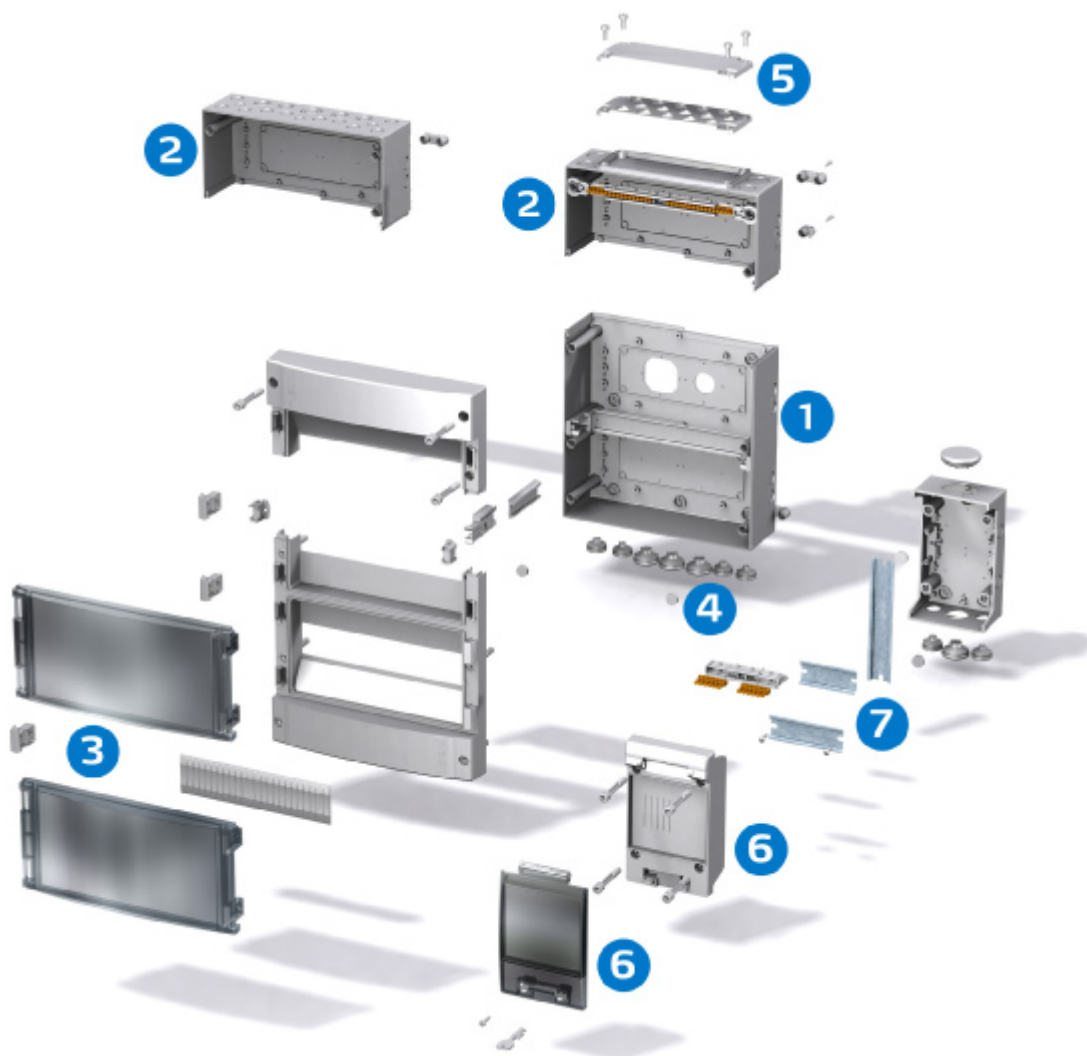




## Modular component enclosures

These are the rugged workhorses of our product family, standing for practicality in industrial settings. They're spacious inside, available in a broad range of sizes and, as the name suggests, offers modular flexibility.

Easy-to-use solutions and functionality.  
Designed to house automation, control and switch gear components.  
Easy connection through flange openings.



### Enclosure

- 1 1, 2 or 3 row enclosure base made from PC Metric cable openings on all 4 sides and in the enclosure base
- 2 Upper part of the enclosure made from PC, various versions with or without DIN rails
- 3 Front cover, in smoked grey or clear transparent, incl. TPE gasket

### Accessories

- 4 Multi FEM, multi-cable membrane glands for structured wiring solutions
- 5 Knock-out plates, various versions
- 6 MCE enclosure 5/9
- 7 DIN rails for the mounting of machines

# MCE

Including: Modular component enclosure with TPE gaskets, mounted DIN 35-rails, mounted PEN bars, Multi-FEM and FEM membrane cable glands, module marking stripes and pockets, wall mount cover plugs and mounting instructions.

PC: IP65, IK08  
ABS: IP54, IK07

| Dimensions                                                                          | Order Symbol     | Code    | EAN Code                                                                                                | Description                               |
|-------------------------------------------------------------------------------------|------------------|---------|---------------------------------------------------------------------------------------------------------|-------------------------------------------|
| <b>200x116x105 mm</b>                                                               |                  |         |                                                                                                         |                                           |
|    | MCE PC 5 MF/M    | 7215161 | <br>6 418074 007582   | DIN rail modular enclosure, PC<br>5 mod   |
|                                                                                     | MCE PCN 5 MF/M   | 7215162 | <br>6 418074 059826   | DIN rail modular enclosure, PC<br>5 mod   |
| <b>200x190x105 mm</b>                                                               |                  |         |                                                                                                         |                                           |
|   | MCE PC 9 MF/M    | 7219171 | <br>6 418074 007599   | DIN rail modular enclosure, PC<br>9 mod   |
|                                                                                     | MCE PCN 9 MF/M   | 7219172 | <br>6 418074 059833  | DIN rail modular enclosure, PC<br>9 mod   |
| <b>280x306x145 mm</b>                                                               |                  |         |                                                                                                         |                                           |
|  | MCE PC 14 MF/M   | 7211181 | <br>6 418074 007605 | DIN rail modular enclosure, PC<br>14 mod  |
|                                                                                     | MCE PC 14 MF/FL  | 7211215 | <br>6 418074 007612 | DIN rail modular enclosure, PC<br>14 mod  |
|                                                                                     | MCE PCN 14 MF/M  | 7211182 | <br>6 418074 059840 | DIN rail modular enclosure, PC<br>14 mod  |
|                                                                                     | MCE PCN 14 MF/FL | 7211216 | <br>6 418074 059871 | DIN rail modular enclosure, PC<br>14 mod  |
|                                                                                     | MCE ABS 14 M1/M  | 7221181 | <br>6 418074 007681 | DIN rail modular enclosure, ABS<br>14 mod |
|                                                                                     | MCE ABN 14 M1/M  | 7231314 | <br>6 418074 008138 | DIN rail modular enclosure, ABS<br>14 mod |



Including: Modular component enclosure with TPE gaskets, mounted DIN 35-rails, mounted PEN bars, Multi-FEM and FEM membrane cable glands, module marking stripes and pockets, wall mount cover plugs and mounting instructions.

PC: IP65, IK08  
ABS: IP54, IK07

| Dimensions                                                                          | Order Symbol     | Code    | EAN Code                                                                                                | Description                            |
|-------------------------------------------------------------------------------------|------------------|---------|---------------------------------------------------------------------------------------------------------|----------------------------------------|
| <b>430x306x145 mm</b>                                                               |                  |         |                                                                                                         |                                        |
|    | MCE PC 28 MF/M   | 7212181 | <br>6 418074 007629   | DIN rail modular enclosure, PC 28 mod  |
|                                                                                     | MCE PC 28 MF/FL  | 7212215 | <br>6 418074 007636   | DIN rail modular enclosure, PC 28 mod  |
|                                                                                     | MCE PCN 28 MF/M  | 7212182 | <br>6 418074 059857   | DIN rail modular enclosure, PC 28 mod  |
|                                                                                     | MCE PCN 28 MF/FL | 7212216 | <br>6 418074 059888   | DIN rail modular enclosure, PC 28 mod  |
|                                                                                     | MCE ABS 28 M1/M  | 7222181 | <br>6 418074 007704   | DIN rail modular enclosure, ABS 28 mod |
|                                                                                     | MCE ABN 28 M1/M  | 7232314 | <br>6 418074 008145  | DIN rail modular enclosure, ABS 28 mod |
| <b>580x306x145 mm</b>                                                               |                  |         |                                                                                                         |                                        |
|  | MCE PC 42 MF/M   | 7214181 | <br>6 418074 007643 | DIN rail modular enclosure, PC 42 mod  |
|                                                                                     | MCE PC 42 MF/FL  | 7214215 | <br>6 418074 007650 | DIN rail modular enclosure, PC 42 mod  |
|                                                                                     | MCE PCN 42 MF/M  | 7214182 | <br>6 418074 059864 | DIN rail modular enclosure, PC 42 mod  |
|                                                                                     | MCE PCN 42 MF/FL | 7214216 | <br>6 418074 059895 | DIN rail modular enclosure, PC 42 mod  |
|                                                                                     | MCE ABS 42 M1/M  | 7224181 | <br>6 418074 007728 | DIN rail modular enclosure, ABS 42 mod |
|                                                                                     | MCE ABN 42 M1/M  | 7234314 | <br>6 418074 008152 | DIN rail modular enclosure, ABS 42 mod |

# MCE

Including: Modular component enclosure with TPE gaskets, mounted DIN 35-rails, mounted PEN bars, Multi-FEM and FEM membrane cable glands, module marking stripes and pockets, wall mount cover plugs and mounting instructions.

PC: IP65, IK08

ABS: IP54, IK07

## MCE technical information

| Property                                                    | Polycarbonate (PC)                        | ABS                              | Conformity to standards                                                                                                                                                                                    |
|-------------------------------------------------------------|-------------------------------------------|----------------------------------|------------------------------------------------------------------------------------------------------------------------------------------------------------------------------------------------------------|
| Ingress Protection (EN 60529)                               | IP 65                                     | IP54                             |                                                                                                                                                                                                            |
| Impact Resistance (EN 62262)                                | IK 08                                     | IK07                             |                                                                                                                                                                                                            |
| Température Range Celsius                                   | -40° . . .120°C                           | -40° . . .80°C                   | <b>Canada</b> Industrial Control Equipment<br>Enclosures for Electrical Equipment/ULc*                                                                                                                     |
| (short term) Fahrenheit                                     | -40° . . .250°F                           | -40° . . .175°F                  |                                                                                                                                                                                                            |
| Température Range Celsius                                   | -40° . . .80°C                            | -40° . . .60°C                   | <b>Europe</b> Empty enclosures for low-voltage switchgear and<br>controlgear assemblies EN 62208:2003<br><b>Europe</b> Safety of Information Technology Equipment<br>EN 60950<br>RoHS directive 2002/95/EC |
| (continuous) Fahrenheit                                     | -40° . . .175°F                           | -40° . . .140°F                  |                                                                                                                                                                                                            |
| Electrical Insulation                                       | Totally insulated ☐                       | Totally insulated ☐              | <b>Russia</b> GostR - Gost Russian certificate of conformity                                                                                                                                               |
| Light Grey Parts Colour                                     | RAL 7035<br>Industry Grey                 | RAL 7035<br>Industry Grey        |                                                                                                                                                                                                            |
| Transparent Clear PC Cover                                  | Smoked Grey                               | Smoked Grey                      | *UL label on request                                                                                                                                                                                       |
| Cover Screws                                                | RAL 7035                                  | RAL 7035                         |                                                                                                                                                                                                            |
| Cover Screws                                                | Polyamide (PA)                            | Polyamide (PA)                   |                                                                                                                                                                                                            |
| Gasket                                                      | TPE, Thermo Plastic<br>Elastomer          | TPE, Thermo Plastic<br>Elastomer |                                                                                                                                                                                                            |
| Enclosure Flammability Rating                               | UL 746C 5V*                               |                                  |                                                                                                                                                                                                            |
| Glow Wire Test<br>(IEC 695-2-1) Self -extinguishing<br>(PC) | 960°C                                     |                                  |                                                                                                                                                                                                            |
| Non-toxicity                                                | Halogen Free                              | Halogen Free                     |                                                                                                                                                                                                            |
| UV resistance                                               | UL 508<br>720 hours in<br>"Weatherometer" |                                  |                                                                                                                                                                                                            |
| Chemical Resistance **                                      | Good                                      | Good                             |                                                                                                                                                                                                            |

Data subject to change without notice.

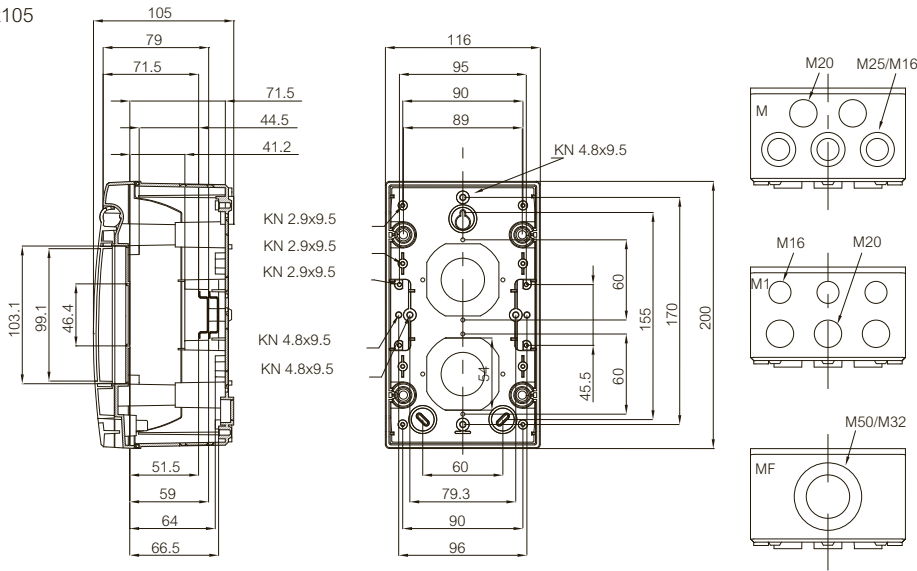
\*\*Consult separate raw material data for more detailed information

|                                                                                   | Order symbol    | Code    | Dimensions | EAN code                                                                                                | Description                                                        |
|-----------------------------------------------------------------------------------|-----------------|---------|------------|---------------------------------------------------------------------------------------------------------|--------------------------------------------------------------------|
| <b>Front plate (aluminium, for MCE 14-42)</b>                                     |                 |         |            |                                                                                                         |                                                                    |
|                                                                                   | FP A 26133      | 7453133 | 139x262    | <br>6 418074 015457   | Front plate, aluminium<br>306x280x145, 430x306x145,<br>580x306x145 |
| <b>Wall mounting and locking</b>                                                  |                 |         |            |                                                                                                         |                                                                    |
|  | FP 26128        | 7611218 |            | <br>6 418074 032935   | Fastening lug set<br>Single                                        |
|                                                                                   | FP 26127        | 7611217 |            | <br>6 418074 032928   | Fastening lug set<br>Double                                        |
|                                                                                   | MB 26146 SET    | 7611146 |            | <br>6 418074 033703   | Pad locking set                                                    |
| <b>Marking stripes and pockets</b>                                                |                 |         |            |                                                                                                         |                                                                    |
|                                                                                   | MB 26061        | 7426061 |            | <br>6 418074 015396  | Marking stripe for MCE 5                                           |
|                                                                                   | MB 26062        | 7426062 |            | <br>6 418074 015402 | Marking stripe pocket for MCE 5                                    |
|                                                                                   | MB 26063        | 7426063 |            | <br>6 418074 015419 | Marking stripe for MCE 9                                           |
|                                                                                   | MB 26064        | 7426064 |            | <br>6 418074 015426 | Marking stripe pocket for MCE 9                                    |
|                                                                                   | MB 26065        | 7426065 |            | <br>6 418074 015433 | Marking stripe for MCE 14-42                                       |
|                                                                                   | MB 26066        | 7426066 |            | <br>6 418074 015440 | Marking stripe pocket for<br>MCE 14-42                             |
| <b>Terminal bus-bar clamps</b>                                                    |                 |         |            |                                                                                                         |                                                                    |
|                                                                                   | MS BAR<br>CLAMP | 4712232 |            | <br>6 418074 040886 | Terminal bus-bar clamp, 25 mm <sup>2</sup>                         |
|                                                                                   | MR 26145        | 5026145 |            | <br>6 418074 039903 | Terminal bus-bar clamp, 35 mm <sup>2</sup>                         |

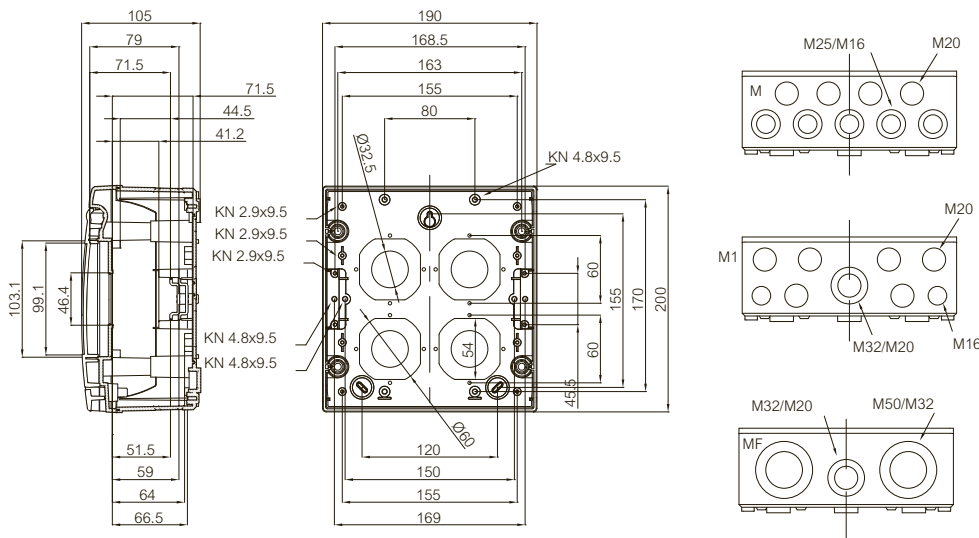
|                                                                                     | Order symbol      | Code    | Dimensions | EAN code                                                                                                | Description                                        |
|-------------------------------------------------------------------------------------|-------------------|---------|------------|---------------------------------------------------------------------------------------------------------|----------------------------------------------------|
| <b>Polyamide sealing plugs</b>                                                      |                   |         |            |                                                                                                         |                                                    |
|    | DP 14553          | 6314553 |            | <br>6 418074 023261   | Sealing plug for cover screw<br>Grey               |
|                                                                                     | DPS 14553         | 6300006 |            | <br>6 418074 005151   | Grey sealing plug set<br>(40 pcs)                  |
| <b>Cover plate</b>                                                                  |                   |         |            |                                                                                                         |                                                    |
|   | MB 26050          | 5026050 |            | <br>6 418074 034830   | Cover plate for 12 modules<br>(1 module = 17,5 mm) |
| <b>PEN Sets</b>                                                                     |                   |         |            |                                                                                                         |                                                    |
|  | MCE 5 PEN SET     | 7611135 |            | <br>6 418074 033659 | Mounting ready PE/N/PEN -rail set                  |
|                                                                                     | MCE 9 PEN SET     | 7611136 |            | <br>6 418074 033666 | Mounting ready PE/N/PEN -rail set                  |
|                                                                                     | MCE 14 PEN SET    | 7611140 |            | <br>6 418074 033673 | Mounting ready PE/N/PEN -rail set                  |
|                                                                                     | MCE 14 MU PEN SET | 7611240 |            | <br>6 418074 033680 | Mounting ready PE/N/PEN -rail set                  |



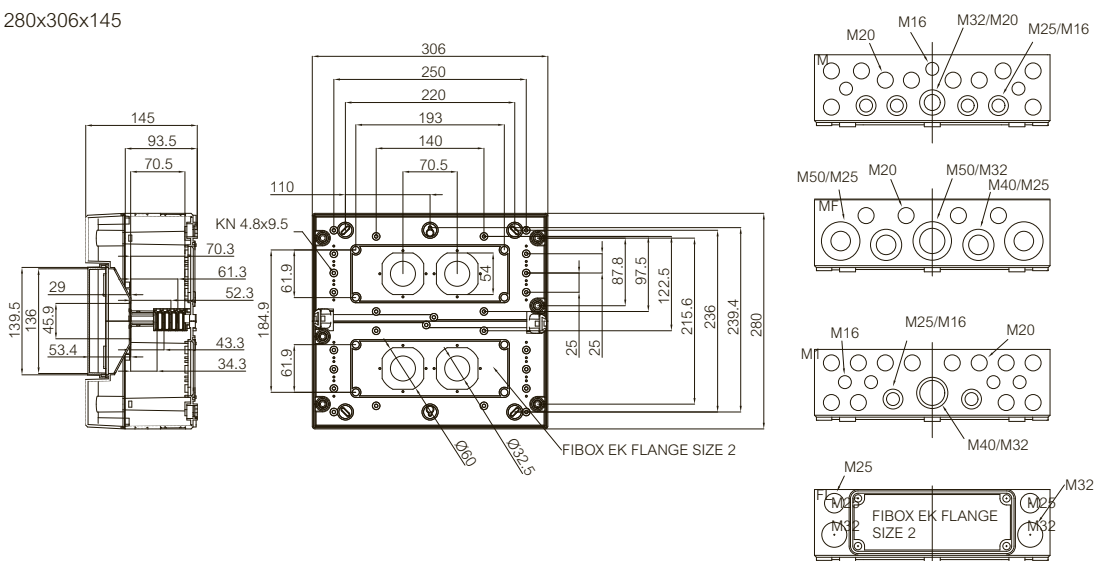
MCE 200x116x105



MCE 200x190x105

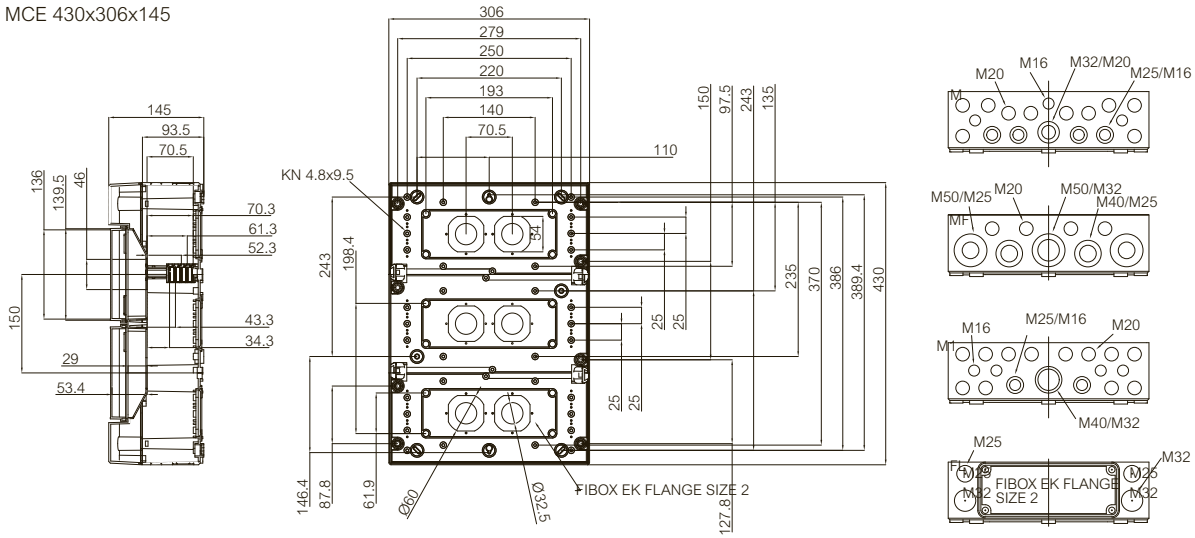


MCE 280x306x145

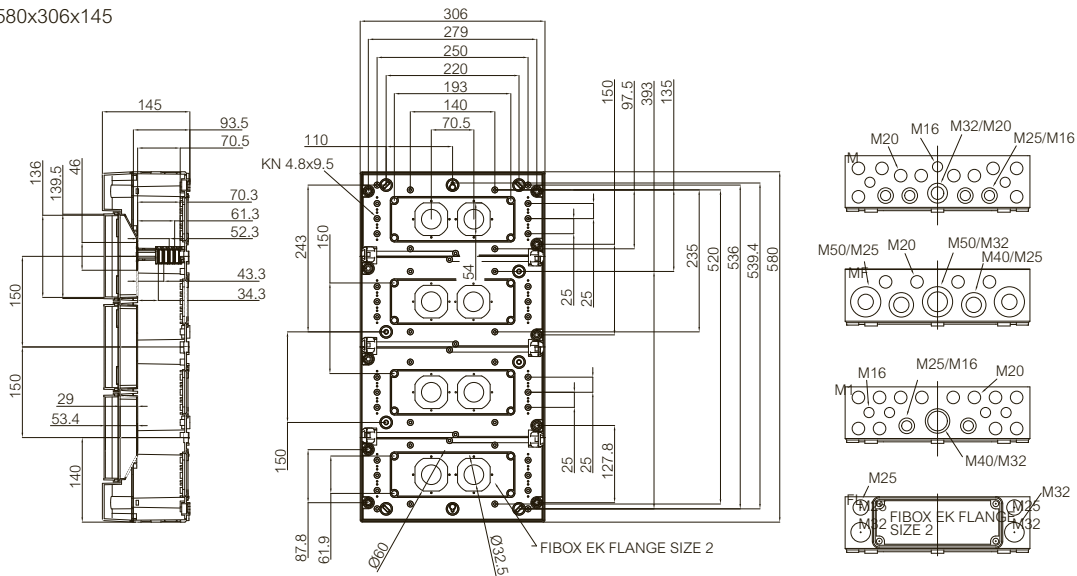


## Dimensional drawings

MCE 430x306x145



MCE 580x306x145





## For modular flexibility

Because EK enclosures are fully modular, this range stretches to fit, from a single module to extensive enclosure panels. EK comes in a large size range, with various depths and a host of accessories.

Ideal for single or modular enclosure solutions.  
Wide selection and extensive range of accessories.



### Enclosure

- 1 Base
- 2 Cover, grey or transparent
- 3 Cover screws, different versions

### Accessories

- 4 Fastening lugs, 2 pcs. incl. screws
- 5 Mounting plate, electro-galvanised steel stable and impact-resistant
- 6 DIN rail different sizes TS 35
- 7 Intermediate frame, polycarbonate, (from size 2819) PUR gasket (height 50mm)
- 8 Membrane cable gland for flexible applications

| Dimensions                                                                        | Order Symbol    | Code    | EAN Code                                                                                                | Description                               |
|-----------------------------------------------------------------------------------|-----------------|---------|---------------------------------------------------------------------------------------------------------|-------------------------------------------|
| <b>190x190x130 mm</b>                                                             |                 |         |                                                                                                         |                                           |
|  | EKHA 130 G      | 2538001 | <br>6 418074 013446   | Enclosure, PC<br>Grey cover               |
|                                                                                   | EKHS 130 G      | 2538007 | <br>6 418074 013460   | Enclosure, PC<br>Grey cover               |
|                                                                                   | EKHA 130 T      | 2538101 | <br>6 418074 013712   | Enclosure, PC<br>Transparent cover        |
|                                                                                   | EKHS 130 T      | 2538107 | <br>6 418074 013736   | Enclosure, PC<br>Transparent cover        |
|                                                                                   | EKHA 130 G-2FSH | 9996179 | <br>6 418074 052940   | Enclosure, PC<br>Grey hinged cover        |
|                                                                                   | EKHS 130 G-2FSH | 9996180 | <br>6 418074 052964  | Enclosure, PC<br>Grey hinged cover        |
|                                                                                   | EKHA 130 T-2FSH | 9996181 | <br>6 418074 053183 | Enclosure, PC<br>Transparent hinged cover |
|                                                                                   | EKHS 130 T-2FSH | 9996182 | <br>6 418074 053206 | Enclosure, PC<br>Transparent hinged cover |
|                                                                                   | EKHA            | 3530139 | <br>6 418074 000019 | Base, PC<br>Openings; 4x size 1 flange    |
|                                                                                   | EKHS            | 3530543 | <br>6 418074 000026 | Base, PC<br>Openings; 1x size 1 flange    |
|                                                                                   | EKH 30-G        | 3730147 | <br>6 418074 000200 | Cover, PC<br>Grey                         |
|                                                                                   | EKH 30-T        | 3720147 | <br>6 418074 000187 | Cover, PC<br>Transparent                  |


| Dimensions                                                                        | Order Symbol    | Code    | EAN Code                                                                                                | Description                               |
|-----------------------------------------------------------------------------------|-----------------|---------|---------------------------------------------------------------------------------------------------------|-------------------------------------------|
| <b>190x190x180 mm</b>                                                             |                 |         |                                                                                                         |                                           |
|  | EKHA 180 G      | 2538004 | <br>6 418074 013453   | Enclosure, PC<br>Grey cover               |
|                                                                                   | EKHS 180 G      | 2538010 | <br>6 418074 013477   | Enclosure, PC<br>Grey cover               |
|                                                                                   | EKHA 180 T      | 2538104 | <br>6 418074 013729   | Enclosure, PC<br>Transparent cover        |
|                                                                                   | EKHS 180 T      | 2538110 | <br>6 418074 013743   | Enclosure, PC<br>Transparent cover        |
|                                                                                   | EKHA 180 G-2FSH | 9996183 | <br>6 418074 052957   | Enclosure, PC<br>Grey hinged cover        |
|                                                                                   | EKHS 180 G-2FSH | 9996184 | <br>6 418074 052971  | Enclosure, PC<br>Grey hinged cover        |
|                                                                                   | EKHA 180 T-2FSH | 9996185 | <br>6 418074 053190 | Enclosure, PC<br>Transparent hinged cover |
|                                                                                   | EKHS 180 T-2FSH | 9996186 | <br>6 418074 053213 | Enclosure, PC<br>Transparent hinged cover |
|                                                                                   | EKHA            | 3530139 | <br>6 418074 000019 | Base, PC<br>Openings; 4x size 1 flange    |
|                                                                                   | EKHS            | 3530543 | <br>6 418074 000026 | Base, PC<br>Openings; 1x size 1 flange    |
|                                                                                   | EKH 80-G        | 3730555 | <br>6 418074 000217 | Cover, PC<br>Grey                         |
|                                                                                   | EKH 80-T        | 3720555 | <br>6 418074 000194 | Cover, PC<br>Transparent                  |

| Dimensions                                                                          | Order Symbol    | Code    | EAN Code                                                                                                | Description                                               |
|-------------------------------------------------------------------------------------|-----------------|---------|---------------------------------------------------------------------------------------------------------|-----------------------------------------------------------|
| <b>280x190x130 mm</b>                                                               |                 |         |                                                                                                         |                                                           |
|    | EKJB 130 G      | 2538013 | <br>6 418074 013484   | Enclosure, PC<br>Grey cover                               |
|                                                                                     | EKJB 130 T      | 2538113 | <br>6 418074 013750   | Enclosure, PC<br>Transparent cover                        |
|                                                                                     | EKJB 130 G-2FSH | 9996187 | <br>6 418074 052988   | Enclosure, PC<br>Grey hinged cover                        |
|                                                                                     | EKJB 130 T-2FSH | 9996188 | <br>6 418074 053220   | Enclosure, PC<br>Transparent hinged cover                 |
|                                                                                     | EKJB            | 3530140 | <br>6 418074 000033   | Base, PC<br>Openings; 2x size 1 flange + 2x size 2 flange |
|                                                                                     | EKJ 30-G        | 3730146 | <br>6 418074 000248  | Cover, PC<br>Grey                                         |
|                                                                                     | EKJ 30-T        | 3720146 | <br>6 418074 000224 | Cover, PC<br>Transparent                                  |
| <b>280x190x180 mm</b>                                                               |                 |         |                                                                                                         |                                                           |
|  | EKJB 180 G      | 2538016 | <br>6 418074 013491 | Enclosure, PC<br>Grey cover                               |
|                                                                                     | EKJB 180 T      | 2538116 | <br>6 418074 013767 | Enclosure, PC<br>Transparent cover                        |
|                                                                                     | EKJB 180 G-2FSH | 9996189 | <br>6 418074 052995 | Enclosure, PC<br>Grey hinged cover                        |
|                                                                                     | EKJB 180 T-2FSH | 9996190 | <br>6 418074 053237 | Enclosure, PC<br>Transparent hinged cover                 |
|                                                                                     | EKJB            | 3530140 | <br>6 418074 000033 | Base, PC<br>Openings; 2x size 1 flange + 2x size 2 flange |
|                                                                                     | EKJ 80-G        | 3730556 | <br>6 418074 000255 | Cover, PC<br>Grey                                         |
|                                                                                     | EKJ 80-T        | 3720556 | <br>6 418074 000231 | Cover, PC<br>Transparent                                  |

| Dimensions                                                                        | Order Symbol    | Code    | EAN Code                                                                                                | Description                                               |
|-----------------------------------------------------------------------------------|-----------------|---------|---------------------------------------------------------------------------------------------------------|-----------------------------------------------------------|
| <b>380x190x130 mm</b>                                                             |                 |         |                                                                                                         |                                                           |
|  | EKMB 130 G      | 2538019 | <br>6 418074 013507   | Enclosure, PC<br>Grey cover                               |
|                                                                                   | EKMR 130 G      | 2538025 | <br>6 418074 013521   | Enclosure, PC<br>Grey cover                               |
|                                                                                   | EKMB 130 T      | 2538119 | <br>6 418074 013774   | Enclosure, PC<br>Transparent cover                        |
|                                                                                   | EKMR 130 T      | 2538125 | <br>6 418074 013798   | Enclosure, PC<br>Transparent cover                        |
|                                                                                   | EKMB 130 G-2FSH | 9996191 | <br>6 418074 053008   | Enclosure, PC<br>Grey hinged cover                        |
|                                                                                   | EKMR 130 G-2FSH | 9996192 | <br>6 418074 053022  | Enclosure, PC<br>Grey hinged cover                        |
|                                                                                   | EKMB 130 T-2FSH | 9996194 | <br>6 418074 053244 | Enclosure, PC<br>Transparent hinged cover                 |
|                                                                                   | EKMR 130 T-2FSH | 9996195 | <br>6 418074 053268 | Enclosure, PC<br>Transparent hinged cover                 |
|                                                                                   | EKMB            | 3530136 | <br>6 418074 000040 | Base, PC<br>Openings; 2x size 1 flange + 2x size 2 flange |
|                                                                                   | EKMR            | 3530542 | <br>6 418074 000064 | Base, PC<br>Openings; 1x size 2 flange                    |
|                                                                                   | EKM 30-G        | 3730145 | <br>6 418074 000286 | Cover, PC<br>Grey                                         |
|                                                                                   | EKM 30-T        | 3720145 | <br>6 418074 000262 | Cover, PC<br>Transparent                                  |

| Dimensions                                                                        | Order Symbol    | Code    | EAN Code                                                                                                | Description                                               |
|-----------------------------------------------------------------------------------|-----------------|---------|---------------------------------------------------------------------------------------------------------|-----------------------------------------------------------|
| <b>380x190x180 mm</b>                                                             |                 |         |                                                                                                         |                                                           |
|  | EKMB 180 G      | 2538022 | <br>6 418074 013514   | Enclosure, PC<br>Grey cover                               |
|                                                                                   | EKMR 180 G      | 2538028 | <br>6 418074 013538   | Enclosure, PC<br>Grey cover                               |
|                                                                                   | EKMB 180 T      | 2538122 | <br>6 418074 013781   | Enclosure, PC<br>Transparent cover                        |
|                                                                                   | EKMR 180 T      | 2538128 | <br>6 418074 013804   | Enclosure, PC<br>Transparent cover                        |
|                                                                                   | EKMB 180 G-2FSH | 9996197 | <br>6 418074 053015   | Enclosure, PC<br>Grey hinged cover                        |
|                                                                                   | EKMR 180 G-2FSH | 9996198 | <br>6 418074 053039  | Enclosure, PC<br>Grey hinged cover                        |
|                                                                                   | EKMB 180 T-2FSH | 9996200 | <br>6 418074 053251 | Enclosure, PC<br>Transparent hinged cover                 |
|                                                                                   | EKMR 180 T-2FSH | 9996201 | <br>6 418074 053275 | Enclosure, PC<br>Transparent hinged cover                 |
|                                                                                   | EKMB            | 3530136 | <br>6 418074 000040 | Base, PC<br>Openings; 2x size 1 flange + 2x size 2 flange |
|                                                                                   | EKMR            | 3530542 | <br>6 418074 000064 | Base, PC<br>Openings; 1x size 2 flange                    |
|                                                                                   | EKM 80-G        | 3730557 | <br>6 418074 000293 | Cover, PC<br>Grey                                         |
|                                                                                   | EKM 80-T        | 3720557 | <br>6 418074 000279 | Cover, PC<br>Transparent                                  |



| Dimensions                                                                          | Order Symbol    | Code    | EAN Code                                                                                                | Description                               |
|-------------------------------------------------------------------------------------|-----------------|---------|---------------------------------------------------------------------------------------------------------|-------------------------------------------|
| <b>280x280x130 mm</b>                                                               |                 |         |                                                                                                         |                                           |
|    | EKOE 130 G      | 2538037 | <br>6 418074 013569   | Enclosure, PC<br>Grey cover               |
|                                                                                     | EKOE 130 T      | 2538137 | <br>6 418074 013835   | Enclosure, PC<br>Transparent cover        |
|                                                                                     | EKOE 130 G-2FSH | 9996203 | <br>6 418074 053046   | Enclosure, PC<br>Grey hinged cover        |
|                                                                                     | EKOE 130 T-2FSH | 9996204 | <br>6 418074 053282   | Enclosure, PC<br>Transparent hinged cover |
|                                                                                     | EKOE            | 3530095 | <br>6 418074 000071   | Base, PC<br>Openings; 4x size 2 flange    |
|                                                                                     | EKO 30-G        | 3730096 | <br>6 418074 000323  | Cover, PC<br>Grey                         |
|                                                                                     | EKO 30-T        | 3720096 | <br>6 418074 000309 | Cover, PC<br>Transparent                  |
| <b>280x280x180 mm</b>                                                               |                 |         |                                                                                                         |                                           |
|  | EKOE 180 G      | 2538040 | <br>6 418074 013576 | Enclosure, PC<br>Grey cover               |
|                                                                                     | EKOE 180 T      | 2538140 | <br>6 418074 013842 | Enclosure, PC<br>Transparent cover        |
|                                                                                     | EKOE 180 G-2FSH | 9996205 | <br>6 418074 053053 | Enclosure, PC<br>Grey hinged cover        |
|                                                                                     | EKOE 180 T-2FSH | 9996206 | <br>6 418074 053299 | Enclosure, PC<br>Transparent hinged cover |
|                                                                                     | EKOE            | 3530095 | <br>6 418074 000071 | Base, PC<br>Openings; 4x size 2 flange    |
|                                                                                     | EKO 80-G        | 3730558 | <br>6 418074 000330 | Cover, PC<br>Grey                         |
|                                                                                     | EKO 80-T        | 3720558 | <br>6 418074 000316 | Cover, PC<br>Transparent                  |

| Dimensions                                                                        | Order Symbol    | Code    | EAN Code                                                                                                | Description                                               |
|-----------------------------------------------------------------------------------|-----------------|---------|---------------------------------------------------------------------------------------------------------|-----------------------------------------------------------|
| <b>380x280x130 mm</b>                                                             |                 |         |                                                                                                         |                                                           |
|  | EKPE 130 G      | 2538043 | <br>6 418074 013583   | Enclosure, PC<br>Grey cover                               |
|                                                                                   | EKPG 130 G      | 2538049 | <br>6 418074 013606   | Enclosure, PC<br>Grey cover                               |
|                                                                                   | EKPE 130 T      | 2538143 | <br>6 418074 013859   | Enclosure, PC<br>Transparent cover                        |
|                                                                                   | EKPG 130 T      | 2538149 | <br>6 418074 013873   | Enclosure, PC<br>Transparent cover                        |
|                                                                                   | EKPE 130 G-2FSH | 9996207 | <br>6 418074 053060   | Enclosure, PC<br>Grey hinged cover                        |
|                                                                                   | EKPG 130 G-2FSH | 9996208 | <br>6 418074 053084  | Enclosure, PC<br>Grey hinged cover                        |
|                                                                                   | EKPE 130 T-2FSH | 9996211 | <br>6 418074 053305 | Enclosure, PC<br>Transparent hinged cover                 |
|                                                                                   | EKPG 130 T-2FSH | 9996212 | <br>6 418074 053329 | Enclosure, PC<br>Transparent hinged cover                 |
|                                                                                   | EKPE            | 3530133 | <br>6 418074 000088 | Base, PC<br>Openings; 4x size 2 flange                    |
|                                                                                   | EKPG            | 3530134 | <br>6 418074 000095 | Base, PC<br>Openings; 2x size 1 flange + 3x size 2 flange |
|                                                                                   | EKP 30-G        | 3730143 | <br>6 418074 000361 | Cover, PC<br>Grey                                         |
|                                                                                   | EKP 30-T        | 3720143 | <br>6 418074 000347 | Cover, PC<br>Transparent                                  |

| Dimensions                                                                        | Order Symbol    | Code    | EAN Code                                                                                                | Description                               |
|-----------------------------------------------------------------------------------|-----------------|---------|---------------------------------------------------------------------------------------------------------|-------------------------------------------|
| <b>380x280x180 mm</b>                                                             |                 |         |                                                                                                         |                                           |
|  | EKPE 180 G      | 2538046 | <br>6 418074 013590   | Enclosure, PC<br>Grey cover               |
|                                                                                   | EKPG 180 G      | 2538052 | <br>6 418074 013613   | Enclosure, PC<br>Grey cover               |
|                                                                                   | EKPK 180 G      | 2538055 | <br>6 418074 013620   | Enclosure, PC<br>Grey cover               |
|                                                                                   | EKPL 180 G      | 2538061 | <br>6 418074 013644   | Enclosure, PC<br>Grey cover               |
|                                                                                   | EKPE 180 T      | 2538146 | <br>6 418074 013866   | Enclosure, PC<br>Transparent cover        |
|                                                                                   | EKPG 180 T      | 2538152 | <br>6 418074 013880  | Enclosure, PC<br>Transparent cover        |
|                                                                                   | EKPK 180 T      | 2538155 | <br>6 418074 013897 | Enclosure, PC<br>Transparent cover        |
|                                                                                   | EKPL 180 T      | 2538161 | <br>6 418074 013910 | Enclosure, PC<br>Transparent cover        |
|                                                                                   | EKPE 180 G-2FSH | 9996215 | <br>6 418074 053077 | Enclosure, PC<br>Grey hinged cover        |
|                                                                                   | EKPG 180 G-2FSH | 9996216 | <br>6 418074 053091 | Enclosure, PC<br>Grey hinged cover        |
|                                                                                   | EKPK 180 G-2FSH | 9996209 | <br>6 418074 053107 | Enclosure, PC<br>Grey hinged cover        |
|                                                                                   | EKPL 180 G-2FSH | 9996210 | <br>6 418074 053121 | Enclosure, PC<br>Grey hinged cover        |
|                                                                                   | EKPE 180 T-2FSH | 9996219 | <br>6 418074 053312 | Enclosure, PC<br>Transparent hinged cover |
|                                                                                   | EKPG 180 T-2FSH | 9996220 | <br>6 418074 053336 | Enclosure, PC<br>Transparent hinged cover |
|                                                                                   | EKPK 180 T-2FSH | 9996213 | <br>6 418074 053343 | Enclosure, PC<br>Transparent hinged cover |

| Dimensions                                                                          | Order Symbol    | Code    | EAN Code                                                                                                | Description                                               |
|-------------------------------------------------------------------------------------|-----------------|---------|---------------------------------------------------------------------------------------------------------|-----------------------------------------------------------|
|                                                                                     | EKPL 180 T-2FSH | 9996214 | <br>6 418074 053367   | Enclosure, PC<br>Transparent hinged cover                 |
|                                                                                     | EKPE            | 3530133 | <br>6 418074 000088   | Base, PC<br>Openings; 4x size 2 flange                    |
|                                                                                     | EKPG            | 3530134 | <br>6 418074 000095   | Base, PC<br>Openings; 2x size 1 flange + 3x size 2 flange |
|                                                                                     | EKPK            | 3530315 | <br>6 418074 000101   | Base, PC<br>Openings; 3x size 2 flange + 1x size 3 flange |
|                                                                                     | EKPL            | 3530316 | <br>6 418074 000118   | Base, PC<br>Openings; 2x size 2 flange + 2x size 3 flange |
|                                                                                     | EKP 30-G        | 3730143 | <br>6 418074 000361  | Cover, PC<br>Grey                                         |
|                                                                                     | EKP 30-T        | 3720143 | <br>6 418074 000347 | Cover, PC<br>Transparent                                  |
|                                                                                     | EKP 80-G        | 3730559 | <br>6 418074 000378 | Cover, PC<br>Grey                                         |
|                                                                                     | EKP 80-T        | 3720559 | <br>6 418074 000354 | Cover, PC<br>Transparent                                  |
| <b>380x280x230 mm</b>                                                               |                 |         |                                                                                                         |                                                           |
|  | EKPK 230 G      | 2538058 | <br>6 418074 013637 | Enclosure, PC<br>Grey cover                               |
|                                                                                     | EKPL 230 G      | 2538064 | <br>6 418074 013651 | Enclosure, PC<br>Grey cover                               |
|                                                                                     | EKPK 230 T      | 2538158 | <br>6 418074 013903 | Enclosure, PC<br>Transparent cover                        |
|                                                                                     | EKPL 230 T      | 2538164 | <br>6 418074 013927 | Enclosure, PC<br>Transparent cover                        |
|                                                                                     | EKPK 230 G-2FSH | 9996217 | <br>6 418074 053114 | Enclosure, PC<br>Grey hinged cover                        |
|                                                                                     | EKPL 230 G-2FSH | 9996218 | <br>6 418074 053138 | Enclosure, PC<br>Grey hinged cover                        |

| Dimensions                                                                          | Order Symbol    | Code    | EAN Code                                                                                                | Description                                               |
|-------------------------------------------------------------------------------------|-----------------|---------|---------------------------------------------------------------------------------------------------------|-----------------------------------------------------------|
|                                                                                     | EKPK 230 T-2FSH | 9996221 | <br>6 418074 053350   | Enclosure, PC<br>Transparent hinged cover                 |
|                                                                                     | EKPL 230 T-2FSH | 9996222 | <br>6 418074 053374   | Enclosure, PC<br>Transparent hinged cover                 |
|                                                                                     | EKPK            | 3530315 | <br>6 418074 000101   | Base, PC<br>Openings; 3x size 2 flange + 1x size 3 flange |
|                                                                                     | EKPL            | 3530316 | <br>6 418074 000118   | Base, PC<br>Openings; 2x size 2 flange + 2x size 3 flange |
|                                                                                     | EKP 80-G        | 3730559 | <br>6 418074 000378   | Cover, PC<br>Grey                                         |
|                                                                                     | EKP 80-T        | 3720559 | <br>6 418074 000354  | Cover, PC<br>Transparent                                  |
| <b>560x280x130 mm</b>                                                               |                 |         |                                                                                                         |                                                           |
|  | EKTH 130 G      | 2538067 | <br>6 418074 013668 | Enclosure, PC<br>Grey cover                               |
|                                                                                     | EKTH 130 T      | 2538167 | <br>6 418074 013934 | Enclosure, PC<br>Transparent cover                        |
|                                                                                     | EKTH 130 G-3FSH | 9996223 | <br>6 418074 053145 | Enclosure, PC<br>Grey hinged cover                        |
|                                                                                     | EKTH 130 T-3FSH | 9996224 | <br>6 418074 053381 | Enclosure, PC<br>Transparent hinged cover                 |
|                                                                                     | EKTH            | 3530132 | <br>6 418074 000125 | Base, PC<br>Openings; 6x size 2 flange                    |
|                                                                                     | EKT 30-G        | 3730144 | <br>6 418074 000392 | Cover, PC<br>Grey                                         |
|                                                                                     | EKT 30-T        | 3720144 | <br>6 418074 000385 | Cover, PC<br>Transparent                                  |

| Dimensions                                                                          | Order Symbol   | Code    | EAN Code                                                                                                | Description                                               |
|-------------------------------------------------------------------------------------|----------------|---------|---------------------------------------------------------------------------------------------------------|-----------------------------------------------------------|
| <b>560x380x180 mm</b>                                                               |                |         |                                                                                                         |                                                           |
|    | EKUH 180 G     | 2538073 | <br>6 418074 013675   | Enclosure, PC<br>Grey cover                               |
|                                                                                     | EKUM 180 G     | 2538079 | <br>6 418074 013682   | Enclosure, PC<br>Grey cover                               |
|                                                                                     | EKUN 180 G     | 2538085 | <br>6 418074 013699   | Enclosure, PC<br>Grey cover                               |
|                                                                                     | EKUH 180 T     | 2538173 | <br>6 418074 013941   | Enclosure, PC<br>Transparent cover                        |
|                                                                                     | EKUM 180 T     | 2538179 | <br>6 418074 013958   | Enclosure, PC<br>Transparent cover                        |
|                                                                                     | EKUN 180 T     | 2538185 | <br>6 418074 013965  | Enclosure, PC<br>Transparent cover                        |
|                                                                                     | EKUM           | 3530319 | <br>6 418074 000149 | Base, PC<br>Openings; 5x size 2 flange + 1x size 3 flange |
|                                                                                     | EKUH           | 3530317 | <br>6 418074 000132 | Base, PC<br>Openings; 6x size 2 flange                    |
|                                                                                     | EKUN           | 3530318 | <br>6 418074 000156 | Base, PC<br>Openings; 4x size 2 flange + 2x size 3 flange |
|                                                                                     | EKU 30-G       | 3730320 | <br>6 418074 000415 | Cover, PC<br>Grey                                         |
|                                                                                     | EKU 30-T       | 3720320 | <br>6 418074 000408 | Cover, PC<br>Transparent                                  |
| <b>760x560x250 mm</b>                                                               |                |         |                                                                                                         |                                                           |
|  | EKWH 250 G NEW | 2538990 | <br>6 418074 048547 | Enclosure, PC<br>Grey cover                               |
|                                                                                     | EKWH NEW       | 3530907 | <br>6 418074 042958 | Base, PC<br>Openings: 8x size 2 flange                    |
|                                                                                     | EKW 100-G NEW  | 3730908 | <br>6 418074 042965 | Cover, PC<br>Grey                                         |

| <b>EK technical information</b>                       |                                               | <b>Confirmity to standards</b>                                                                                                                                                                              |
|-------------------------------------------------------|-----------------------------------------------|-------------------------------------------------------------------------------------------------------------------------------------------------------------------------------------------------------------|
| <b>Property</b>                                       | <b>Polycarbonate (PC)</b>                     |                                                                                                                                                                                                             |
| Ingress Protection (EN 60529)                         | IP 66/IP 67                                   | <b>USA</b> Enclosures for Electrical Equipment<br>PC: UL Type 1, 3, 3S, 4, 4X, 6, 6P or 12; UL File E75645<br>Vol 1 Sec 2; UL 746C-5VA flame test (UL 50/508)*                                              |
| Impact Resistance (EN 62262)                          | IK 08 (side surface)<br>IK 09 (front surface) |                                                                                                                                                                                                             |
| Température Range Celsius (short term)                | -40° . . 120°C                                | <b>Canada</b> Industrial Control Equipment<br>Enclosures for Electrical Equipment/ULc*                                                                                                                      |
| Température Range Celsius (continuous)                | -40° . . 80°C                                 |                                                                                                                                                                                                             |
| Electrical Insulation                                 | Totally insulated ☐                           | <b>Europe</b> Empty enclosures for low-voltage switchgear and controlgear assemblies EN 62208:2003<br><b>Europe</b> Safety of Information Technology Equipment EN 60950<br><b>RoHS</b> directive 2002/95/EC |
| Light Grey Parts Colour                               | RAL 7035<br>Industry Grey                     |                                                                                                                                                                                                             |
| Transparent Clear PC Cover                            | Clear transparent                             | <b>Russia</b> GostR - Gost Russian certificate of conformity<br><br>*UL label on request                                                                                                                    |
| Cover Screws                                          | RAL 7035                                      |                                                                                                                                                                                                             |
| Cover Screws                                          | Polyamide (PA)                                |                                                                                                                                                                                                             |
| Gasket                                                | PUR/EPDM                                      |                                                                                                                                                                                                             |
| Enclosure Flammability Rating                         | UL 746C 5V*                                   |                                                                                                                                                                                                             |
| Glow Wire Test (IEC 695-2-1) Self -extinguishing (PC) | 960°C                                         |                                                                                                                                                                                                             |
| Non-toxicity                                          | Halogen Free                                  |                                                                                                                                                                                                             |
| UV resistance                                         | UL 508<br>720 hours in "Weatherometer"        |                                                                                                                                                                                                             |
| Chemical Resistance *                                 | Good                                          |                                                                                                                                                                                                             |







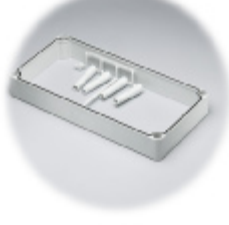






Data subject to change without notice.

\*\*Consult separate raw material data for more detailed information

|                                                                                     | Order symbol          | Code    | Dimensions | EAN code                                                                                                | Description                                                                              |
|-------------------------------------------------------------------------------------|-----------------------|---------|------------|---------------------------------------------------------------------------------------------------------|------------------------------------------------------------------------------------------|
| <b>Mounting plates (Galvanized steel, sheet thickness 1,5 mm)</b>                   |                       |         |            |                                                                                                         |                                                                                          |
|    | EKHVT                 | 3770548 | 148x148    | <br>6 418074 039743   | Mounting plate, for enclosures:<br>190x190x130, 190x190x180                              |
|                                                                                     | EKJVT                 | 3770549 | 148x238    | <br>6 418074 039750   | Mounting plate, for enclosures:<br>280x190x130, 280x190x180                              |
|                                                                                     | EKMVT                 | 3770550 | 148x338    | <br>6 418074 039767   | Mounting plate, for enclosures:<br>380x190x130, 380x190x180                              |
|                                                                                     | EKOVT                 | 3770551 | 238x238    | <br>6 418074 039774   | Mounting plate, for enclosures:<br>280x280x130, 280x280x180,<br>560x280x130              |
|                                                                                     | EKPVT                 | 3770552 | 238x338    | <br>6 418074 039781   | Mounting plate, for enclosures:<br>380x280x130, 380x280x180,<br>380x280x230, 560x380x180 |
|                                                                                     | EKTVT                 | 3770553 | 238x518    | <br>6 418074 039798  | Mounting plate, for enclosures:<br>560x280x130                                           |
|                                                                                     | EKUVT                 | 3770554 | 338x518    | <br>6 418074 039804 | Mounting plate, for enclosures:<br>560x380x180                                           |
|                                                                                     | PT 60 x 11<br>PH2 SET | 3570580 |            | <br>6 418074 031426 | Mounting screw set (4pcs)<br>For Ø5,2 mm (mounting) pods                                 |
| <b>Mounting plates Pertinax 4mm</b>                                                 |                       |         |            |                                                                                                         |                                                                                          |
|  | EKHXT                 | 3770748 | 148x148    | <br>6 418074 029362 | Mounting plate, for enclosures:<br>190x190x130, 190x190x180                              |
|                                                                                     | EKJXT                 | 3770749 | 148x240    | <br>6 418074 029379 | Mounting plate, for enclosures:<br>280x190x130, 280x190x180                              |
|                                                                                     | EKMXT                 | 3770750 | 148x340    | <br>6 418074 029386 | Mounting plate, for enclosures:<br>380x190x130, 380x190x180                              |
|                                                                                     | EKOXT                 | 3770751 | 238x238    | <br>6 418074 029393 | Mounting plate, for enclosures:<br>280x280x130, 280x280x180                              |
|                                                                                     | EKPXT                 | 3770752 | 238x338    | <br>6 418074 029409 | Mounting plate, for enclosures:<br>380x280x130, 380x280x180                              |
|                                                                                     | EKTXT                 | 3770753 | 236x518    | <br>6 418074 029416 | Mounting plate, for enclosures:<br>560x280x130                                           |








|                                                                                     | Type-nummer           | Elnummer   | Dimensioner | EAN-kode                                                                                                | Betegnelse                                                                                                       |
|-------------------------------------------------------------------------------------|-----------------------|------------|-------------|---------------------------------------------------------------------------------------------------------|------------------------------------------------------------------------------------------------------------------|
|                                                                                     | EKUXT                 |            | 339x518     | <br>6 418074 029423   | Monteringsplade, for kasse:<br>560x380x180                                                                       |
| <b>Montageplade til målerskab</b>                                                   |                       |            |             |                                                                                                         |                                                                                                                  |
|    | EKVM2                 |            | 238x338     | <br>6 418074 040831   | Montageplade                                                                                                     |
|                                                                                     | M6x16                 |            |             | <br>6 418074 031570   | Monteringsskruen                                                                                                 |
| <b>DIN-35 skinne (el forsinket stål, højde 7,5 mm)</b>                              |                       |            |             |                                                                                                         |                                                                                                                  |
|  | EKV 12                | 8212009707 | 160x35      | <br>6 418074 031969  | DIN-35 skinne, for kasse:<br>190x190x130-380x190x180                                                             |
|                                                                                     | EKV 22                | 8212009723 | 235x35      | <br>6 418074 031976 | DIN-35 skinne, for kasse:<br>280x280x130-560x280x130                                                             |
|                                                                                     | EKV 32                | 8212009749 | 335x35      | <br>6 418074 031983 | DIN-35 skinne, for kasse:<br>380x190x130, 380x190x180,<br>380x280x130, 380x280x180,<br>380x280x230, 560x380x180, |
|                                                                                     | EKV 50                |            | 500x35      | <br>6 418074 030405 | DIN-35 skinne, for kasse:<br>560x280x130                                                                         |
| <b>DIN-tilbehør</b>                                                                 |                       |            |             |                                                                                                         |                                                                                                                  |
|                                                                                     | MSM PT 5x10           | 8212008494 |             | <br>6 418074 032577 | Montageskrue<br>1 stk. Til montageplader og DIN-<br>skinner                                                      |
|                                                                                     | PT 60 x 11<br>PH2 SET | 8212008546 |             | <br>6 418074 031426 | Montageskrue<br>4 stk. Til montageplader                                                                         |
|                                                                                     | MB 10686              | 8212010246 |             | <br>6 418074 031181 | Afstandsstykke                                                                                                   |

|                                                                                     | Order symbol | Code    | Dimensions | EAN code                                                                                                | Description                                                            |
|-------------------------------------------------------------------------------------|--------------|---------|------------|---------------------------------------------------------------------------------------------------------|------------------------------------------------------------------------|
| <b>DIN rail frames</b>                                                              |              |         |            |                                                                                                         |                                                                        |
|    | MS PROF 19   | 3510840 |            | <br>6 418074 040480   | DIN rail frames                                                        |
|                                                                                     | MS PROF 28   | 3510841 |            | <br>6 418074 040497   | DIN rail frames                                                        |
|                                                                                     | MS PROF 38   | 3510842 |            | <br>6 418074 031310   | DIN rail frames                                                        |
|                                                                                     | MS PROF 56   | 3510843 |            | <br>6 418074 040503   | DIN rail frames                                                        |
|                                                                                     | EKT PROF 56  | 3510844 |            | <br>6 418074 031327   | DIN terminal rail                                                      |
| <b>Extension frames (Polycarbonate, PUR Gasket)</b>                                 |              |         |            |                                                                                                         |                                                                        |
|  | EKJZR        | 3730153 | 188x278    | <br>6 418074 005724 | Extension frame, for enclosures: 280x190x130, 280x190x180              |
|                                                                                     | EKMZR        | 3730152 | 188x378    | <br>6 418074 005731 | Extension frame, for enclosures: 380x190x130, 380x190x180              |
|                                                                                     | EKOZR        | 3730093 | 278x278    | <br>6 418074 005748 | Extension frame, for enclosures: 280x280x130, 280x280x180              |
|                                                                                     | EKPZR        | 3730141 | 278x378    | <br>6 418074 005755 | Extension frame, for enclosures: 380x280x130, 380x280x180, 380x280x230 |
|                                                                                     | EKTZR        | 3730142 | 278x558    | <br>6 418074 005762 | Extension frame, for enclosures: 560x280x130                           |
|                                                                                     | EKUZR        | 3730323 | 378x558    | <br>6 418074 005779 | Extension frame, for enclosures: 560x380x180                           |

|                                                                                     | Order symbol | Code    | Dimensions | EAN code                                                                                                | Description                                                      |
|-------------------------------------------------------------------------------------|--------------|---------|------------|---------------------------------------------------------------------------------------------------------|------------------------------------------------------------------|
| <b>Front plates with DIN-openings</b>                                               |              |         |            |                                                                                                         |                                                                  |
|    | FP12-2819    | 3770765 | 190x280    | <br>6 418074 006318   | Front plate<br>12 modules                                        |
|                                                                                     | FP12-2828    | 3770756 | 280x280    | <br>6 418074 006325   | Front plate<br>12 modules                                        |
|                                                                                     | FP12x2-2828  | 3770766 | 280x280    | <br>6 418074 006332   | Front plate<br>2x12 modules                                      |
|                                                                                     | FP12x2-2838  | 3770769 | 380x280    | <br>6 418074 006349   | Front plate<br>2x12 modules                                      |
|                                                                                     | FP12x3-2838  | 3770767 | 380x280    | <br>6 418074 006356   | Front plate<br>3x12 modules                                      |
|                                                                                     | FP12x3-2856  | 3770768 | 560x280    | <br>6 418074 006363  | Front plate<br>3x12 modules                                      |
| <b>MB FP88 and MB FP882 spacers</b>                                                 |              |         |            |                                                                                                         |                                                                  |
|  | MB FP88      | 3530764 |            | <br>6 418074 036001 | Distance spacer for front plates                                 |
|                                                                                     | MB FP882     | 3530771 |            | <br>6 418074 035868 | Distance spacer for front plates                                 |
|                                                                                     | MB 26050     | 5026050 |            | <br>6 418074 034830 | Cover plate for 12 modules<br>(1 module = 17,5 mm)               |
|                                                                                     | MB 26069SET  | 5126029 |            | <br>6 418074 031747 | N/PE terminal bracket set<br>incl. 2 pcs of terminals (16-holes) |
|                                                                                     | MS BAR CLAMP | 4712232 |            | <br>6 418074 040886 | Terminal bus-bar clamp, 25 mm <sup>2</sup>                       |
|                                                                                     | MR 26145     | 5026145 |            | <br>6 418074 039903 | Terminal bus-bar clamp, 35 mm <sup>2</sup>                       |

|                                                                                    | Order symbol    | Code    | Dimensions | EAN code                                                                                                | Description                                       |
|------------------------------------------------------------------------------------|-----------------|---------|------------|---------------------------------------------------------------------------------------------------------|---------------------------------------------------|
| <b>PC front plates for FX20 SET</b>                                                |                 |         |            |                                                                                                         |                                                   |
|   | FX FP 8-2819    | 3770849 | 190x280    | <br>6 418074 030108   | Front plate, blue, thickness 2 mm<br>8 modules    |
|                                                                                    | FX FP 12-2828   | 3770850 | 280x280    | <br>6 418074 030115   | Front plate, blue, thickness 2 mm<br>12 modules   |
|                                                                                    | FX FP 2*12-2838 | 3770851 | 280x380    | <br>6 418074 030290   | Front plate, blue, thickness 2 mm<br>2x12 modules |
|                                                                                    | FX FP 3*12-2856 | 3770852 | 280x560    | <br>6 418074 030313   | Front plate, blue, thickness 2 mm<br>3x12 modules |
| <b>Corner stud FX20 SET</b>                                                        |                 |         |            |                                                                                                         |                                                   |
|  | FX20 SET        | 3570791 |            | <br>6 418074 035165   | Corner stud set (4 pcs)<br>incl. screws           |
|                                                                                    | MB 10791        | 3730791 |            | <br>6 418074 010544 | Corner stud (separate)                            |
|                                                                                    | MB 10792        | 3730792 |            | <br>6 418074 010551 | Front plate screw                                 |
|                                                                                    | MS BAR 2+18     | 4712199 | 7x10       | <br>6 418074 040855 | PE/N terminal bus-bar 25+ 10 mm <sup>2</sup>      |
| <b>PC front plates for MB 60MM bus-bar holder</b>                                  |                 |         |            |                                                                                                         |                                                   |
|                                                                                    | MB FP 2828      | 3770853 | 280x280    | <br>6 418074 031341 | Front plate<br>Blue, thickness 2 mm               |
|                                                                                    | MB FP 3828      | 3770854 | 280x380    | <br>6 418074 031358 | Front plate<br>Blue, thickness 2 mm               |
|                                                                                    | MB FP 5628      | 3770855 | 280x560    | <br>6 418074 031372 | Front plate<br>Blue, thickness 2 mm               |

|                                                                                     | Order symbol | Code    | Dimensions | EAN code                                                                                                | Description                                                                  |
|-------------------------------------------------------------------------------------|--------------|---------|------------|---------------------------------------------------------------------------------------------------------|------------------------------------------------------------------------------|
| <b>60 MM Bus-Bar</b>                                                                |              |         |            |                                                                                                         |                                                                              |
|    | MB 60MM      | 3532385 |            | <br>6 418074 031600   | Bus-bar holder set<br>incl. screws and support                               |
|                                                                                     | MB 10792     | 3730792 |            | <br>6 418074 010551   | Front plate screw                                                            |
| <b>Hinges and wall mounting</b>                                                     |              |         |            |                                                                                                         |                                                                              |
|   | MB 10622     | 3530622 |            | <br>6 418074 039644   | PC Hinge set, 1 pair<br>incl. screws and drill template                      |
|                                                                                     | MB 10547     | 3570547 |            | <br>6 418074 031280  | PA Hinge set, 1 pair<br>incl. screws                                         |
|                                                                                     | EKZKS 1      | 3570570 |            | <br>6 418074 009883 | Hinge set, metal                                                             |
|                                                                                     | MB 10523     | 3560523 |            | <br>6 418074 031174 | Blind plug for cover corner on hinged<br>side when cover screws are not used |
|                                                                                     | MB 10674     | 3770674 |            | <br>6 418074 039651 | Wall fastening lug (4 pcs)                                                   |
| <b>Cover screws</b>                                                                 |              |         |            |                                                                                                         |                                                                              |
|  | HS 10255     | 3540255 |            | <br>6 418074 030672 | Wing head<br>for 30 mm cover                                                 |
|                                                                                     | CS 10256     | 3540256 |            | <br>6 418074 030689 | Cross head<br>for 30/100 mm cover                                            |
|                                                                                     | SS 10535     | 3540535 |            | <br>6 418074 030702 | Slotted head (sealable)<br>for 30 mm cover                                   |
|                                                                                     | SS 10544     | 3570544 |            | <br>6 418074 031273 | Slotted head (quick-lock)<br>for 30/100 mm cover                             |
|                                                                                     | HS 10533     | 3570533 |            | <br>6 418074 031266 | Wing head (quick-lock)<br>for 30 mm cover                                    |
|                                                                                     | HS 10532     | 3570532 |            | <br>6 418074 031259 | Quick-locking wing head (hinged)<br>for 30 mm cover                          |

|                                                                                     | Order symbol | Code    | Dimensions | EAN code                                                                                                | Description                                                      |
|-------------------------------------------------------------------------------------|--------------|---------|------------|---------------------------------------------------------------------------------------------------------|------------------------------------------------------------------|
|                                                                                     | MB 10534     | 3540534 |            | <br>6 418074 030696   | Threaded bushing to be ordered separately with quick-lock screws |
|                                                                                     | SS 10563     | 3540563 |            | <br>6 418074 030733   | Cross head for 80 mm cover                                       |
|                                                                                     | HS 10562     | 3540562 |            | <br>6 418074 030726   | Wing head for 80 mm cover                                        |
|                                                                                     | DS 10581     | 3540581 |            | <br>6 418074 030757   | Triangle head for 30/80/100 mm cover                             |
|                                                                                     | MB 10673     | 3570673 |            | <br>6 418074 031563   | Triangular key for cover screw DS 10581                          |
|                                                                                     | SS 10256 N   | 3510256 |            | <br>6 418074 030023  | Slotted head for 30 mm cover                                     |
|                                                                                     | HS 10255 N   | 3510255 |            | <br>6 418074 030016 | Wing head for 30 mm cover                                        |
|                                                                                     | SS 10256-4   | 3544256 |            | <br>6 418074 030856 | Set of 4 cross head screws for 30/100 mm cover                   |
|                                                                                     | SS 10256-6   | 3546256 |            | <br>6 418074 030979 | Set of 6 cross head screws for 30/100 mm cover                   |
|                                                                                     | SS 10563-4   | 3544563 |            | <br>6 418074 030870 | Set of 4 cross head screws for 80 mm cover                       |
| <b>Spacers for corners of the base</b>                                              |              |         |            |                                                                                                         |                                                                  |
|  | MR 10726     | 5070726 |            | <br>6 418074 032089 | Spacer 15 mm M6 self-cutting                                     |
|                                                                                     | MR 10727     | 5070727 |            | <br>6 418074 032096 | Spacer 20 mm M6 self-cutting                                     |
|                                                                                     | MR 10728     | 5070728 |            | <br>6 418074 032102 | Spacer 30 mm M6 self-cutting                                     |
|                                                                                     | MR 10729     | 5070729 |            | <br>6 418074 032119 | Spacer 54 mm M6 self-cutting                                     |
|                                                                                     | HR 10        | 3570655 |            | <br>6 418074 040596 | Extension for MR spacer 10 mm, M6/M6                             |

|                                                                                     | Order symbol | Code    | Dimensions | EAN code                                                                                                | Description                                             |
|-------------------------------------------------------------------------------------|--------------|---------|------------|---------------------------------------------------------------------------------------------------------|---------------------------------------------------------|
|                                                                                     | HR 15        | 3570656 |            | <br>6 418074 031501   | Extension for MR spacer<br>15 mm, M6/M6                 |
|                                                                                     | HR 20        | 3570657 |            | <br>6 418074 031518   | Extension for MR spacer<br>20 mm, M6/M6                 |
|                                                                                     | HR 30        | 3570658 |            | <br>6 418074 031525   | Extension for MR spacer<br>30 mm, M6/M6                 |
| <b>Spacers for middle mounting pods</b>                                             |              |         |            |                                                                                                         |                                                         |
|                                                                                     | FA 12053     | 4712053 |            | <br>6 418074 032171   | Spacer 14 mm<br>M5 self-cutting                         |
|                                                                                     | FA 12052     | 4712052 |            | <br>6 418074 032164   | Spacer 42 mm<br>M5 self-cutting                         |
| <b>Key-Lock Set</b>                                                                 |              |         |            |                                                                                                         |                                                         |
|  | MB 10597     | 3570597 |            | <br>6 418074 039668 | Lock and two keys<br>for 30mm covers only               |
| <b>Connecting enclosures</b>                                                        |              |         |            |                                                                                                         |                                                         |
|  | MB 10671     | 3570671 |            | <br>6 418074 030795 | Connector set, size 1<br>incl. 4 screws                 |
|                                                                                     | MB 10670     | 3570670 |            | <br>6 418074 030788 | Connector set, size 2<br>incl. 4 screws                 |
|                                                                                     | MB 10672     | 3570672 |            | <br>6 418074 030801 | Connector set, size 3<br>incl. 4 screws                 |
|                                                                                     | MB 10472     | 3570472 |            | <br>6 418074 031235 | Plastic head screw (M6x30) for the<br>assembly of bases |
|                                                                                     | MB 10474     | 3570474 |            | <br>6 418074 031242 | Plastic head screw (M8x30) for the<br>assembly of bases |
|                                                                                     | M-6          | 3570576 |            | <br>6 418074 031495 | Lock nut for plastic head screws<br>M6                  |

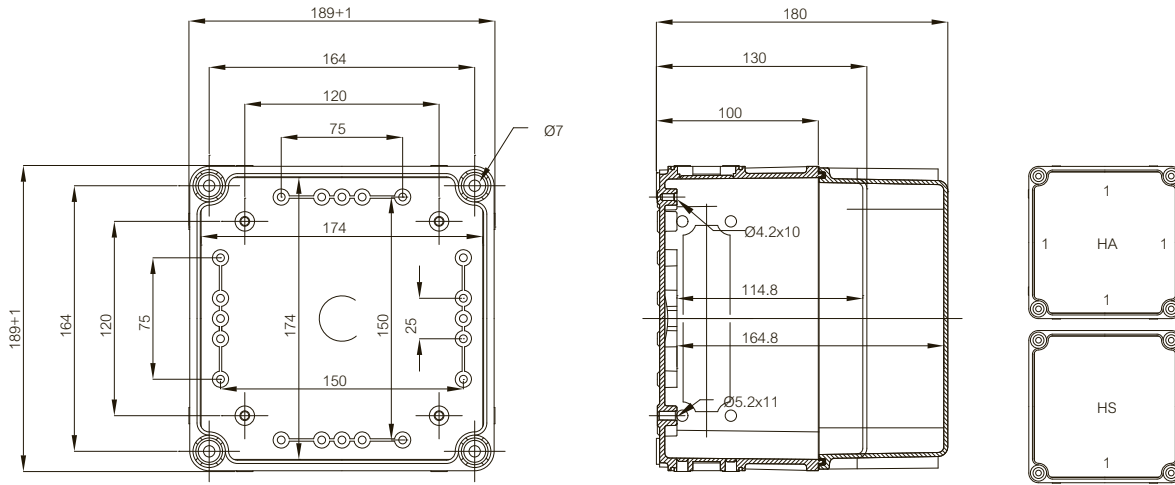
|                                                                                     | Order symbol | Code    | Dimensions | EAN code                                                                                                | Description                                      |
|-------------------------------------------------------------------------------------|--------------|---------|------------|---------------------------------------------------------------------------------------------------------|--------------------------------------------------|
|                                                                                     | M-8          | 3570577 |            | <br>6 418074 031389   | Lock nut for plastic head screws<br>M8           |
| <b>Base connectors</b>                                                              |              |         |            |                                                                                                         |                                                  |
|                                                                                     | MB 10717     | 3530717 |            | <br>6 418074 030481   | Connection bridge and gasket<br>Size 2           |
|                                                                                     | MB 10718     | 3530718 |            | <br>6 418074 030498   | Connection bridge and gasket<br>Size 3           |
| <b>Fastening of big systems</b>                                                     |              |         |            |                                                                                                         |                                                  |
|                                                                                     | EKZKK1       | 3570573 |            | <br>6 418074 052452   | Connecting rail<br>standard lenght 2000 mm       |
|                                                                                     | EKSZY2       | 3570572 |            | <br>6 418074 031334  | Stud rail<br>standard lenght 2000 mm             |
|                                                                                     | EKZKH1       | 3570613 |            | <br>6 418074 031440 | Sleeve lock for connecting rail                  |
| <b>Plates and connectors (More products on Cable Management section)</b>            |              |         |            |                                                                                                         |                                                  |
|  | MB 10215     | 3530215 | 49x140     | <br>6 418074 030269 | Cover plate<br>size 1                            |
|                                                                                     | MB 10546     | 3530546 | 85x216     | <br>6 418074 030320 | Cover plate<br>size 2                            |
| <b>Metric flange plates</b>                                                         |              |         |            |                                                                                                         |                                                  |
|  | MB 10862     | 3530862 | 85x216     | <br>6 418074 052148 | Size 2<br>2xM16+3xM20+2xM25+2xM32,<br>PUR gasket |
|                                                                                     | MB 10857     | 3530857 | 85x216     | <br>6 418074 033017 | Size 2<br>4xM12+4xM12/M20+4xM16/M25              |



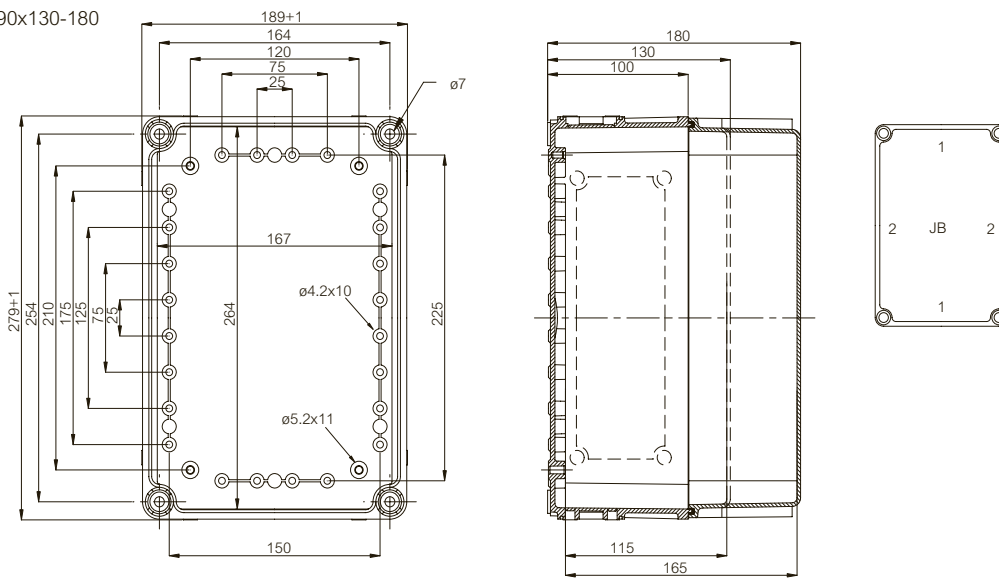
|                                                                                     | Order symbol | Code    | Dimensions | EAN code                                                                                                | Description                                                          |
|-------------------------------------------------------------------------------------|--------------|---------|------------|---------------------------------------------------------------------------------------------------------|----------------------------------------------------------------------|
| <b>PG Flange plates</b>                                                             |              |         |            |                                                                                                         |                                                                      |
|    | MB 10014     | 3530014 | 85x216     | <br>6 418074 030184   | Size 2<br>12x PG16                                                   |
|                                                                                     | MB 10596     | 3530596 | 85x216     | <br>6 418074 030368   | Size 2<br>4x PG11/21+7x PG16                                         |
| <b>Membrane flange plates</b>                                                       |              |         |            |                                                                                                         |                                                                      |
|   | FMB 5F       | 3550794 | 49x140     | <br>6 418074 056511   | Size 1, Lead-through 8<br>(Ø2.5-25mm)<br>Optional RJ-45 lead-through |
|                                                                                     | FMC 25F      | 3550796 | 85x217     | <br>6 418074 056535  | Size 2, Lead-through 29<br>(Ø3-26mm)<br>Optional RJ-45 lead-through  |
| <b>Connector sets</b>                                                               |              |         |            |                                                                                                         |                                                                      |
|  | MB 10671     | 3570671 |            | <br>6 418074 030795 | Connector set, size 1<br>incl. 4 screws                              |
|                                                                                     | MB 10670     | 3570670 |            | <br>6 418074 030788 | Connector set, size 2<br>incl. 4 screws                              |
| <b>Flange gaskets</b>                                                               |              |         |            |                                                                                                         |                                                                      |
|  | MK 10437     | 3510437 |            | <br>6 418074 030078 | Flange gasket<br>size 1                                              |
|                                                                                     | MK 10438     | 3510438 |            | <br>6 418074 030085 | Flange gasket<br>size 2                                              |

**Dimensional drawings**

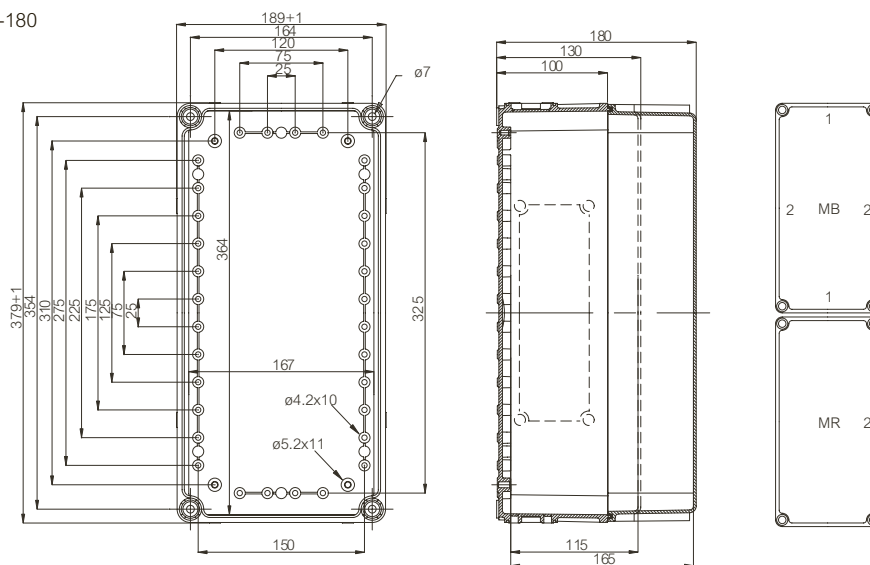
EK 190x190x130-180



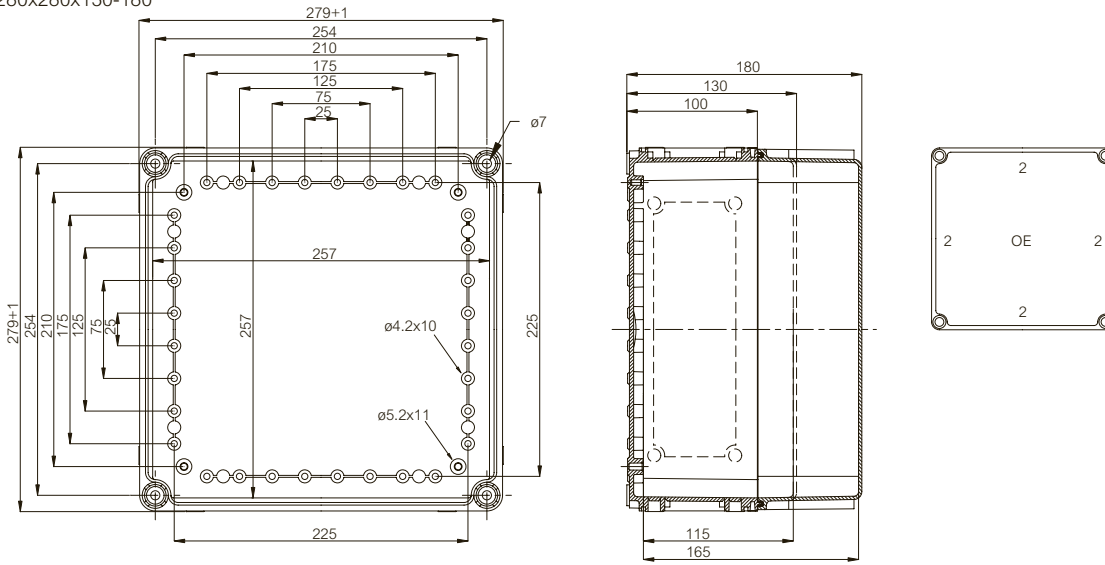
EK 280x190x130-180



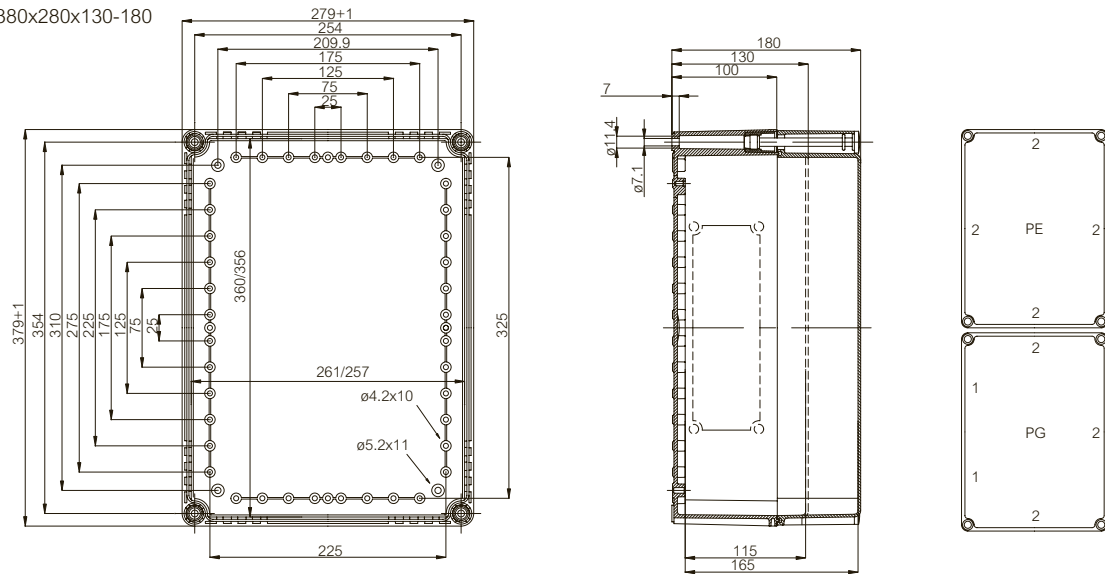
EK 380x190x130-180



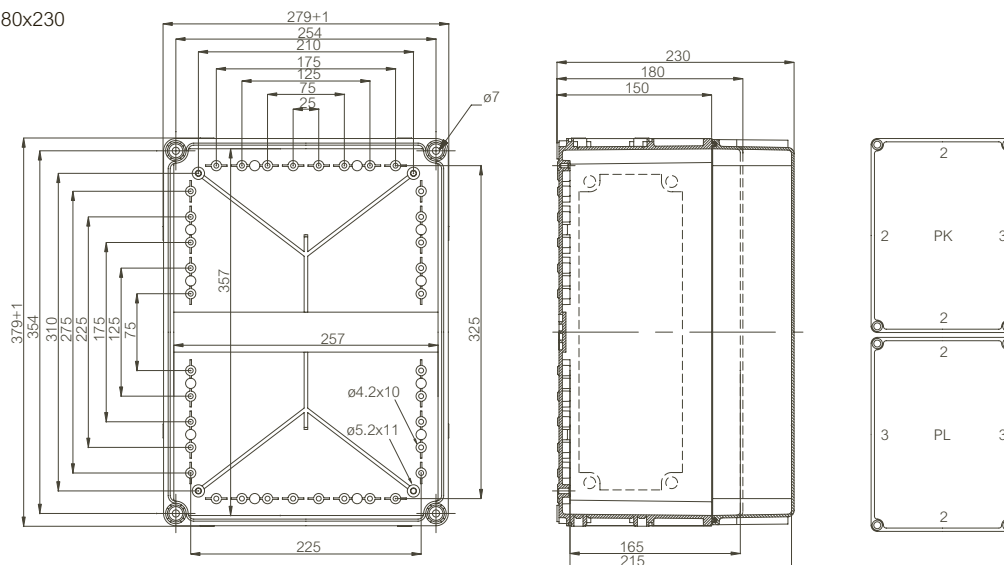
EK 280x280x130-180



EK 380x280x130-180

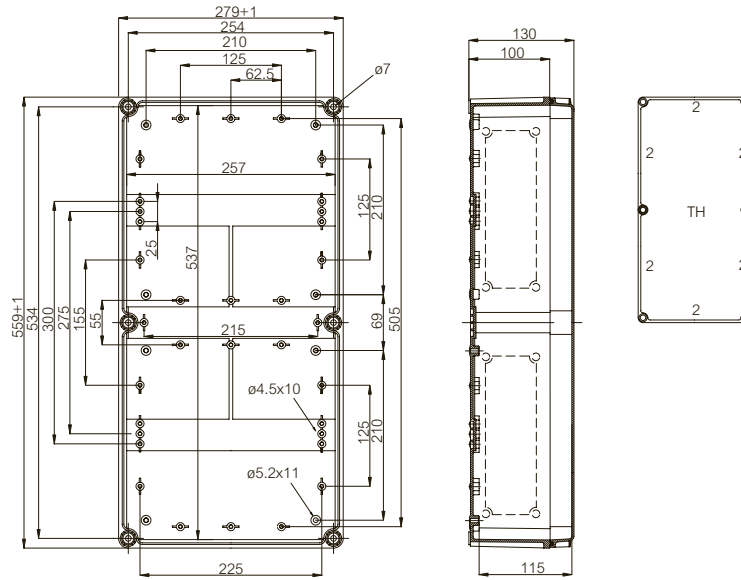


EK 380x280x230

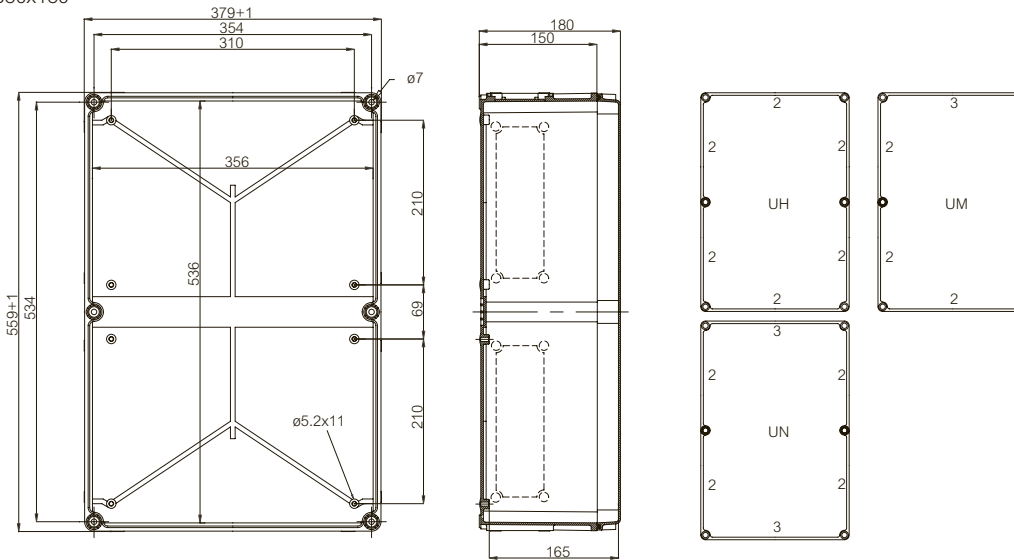


Dimensional drawings

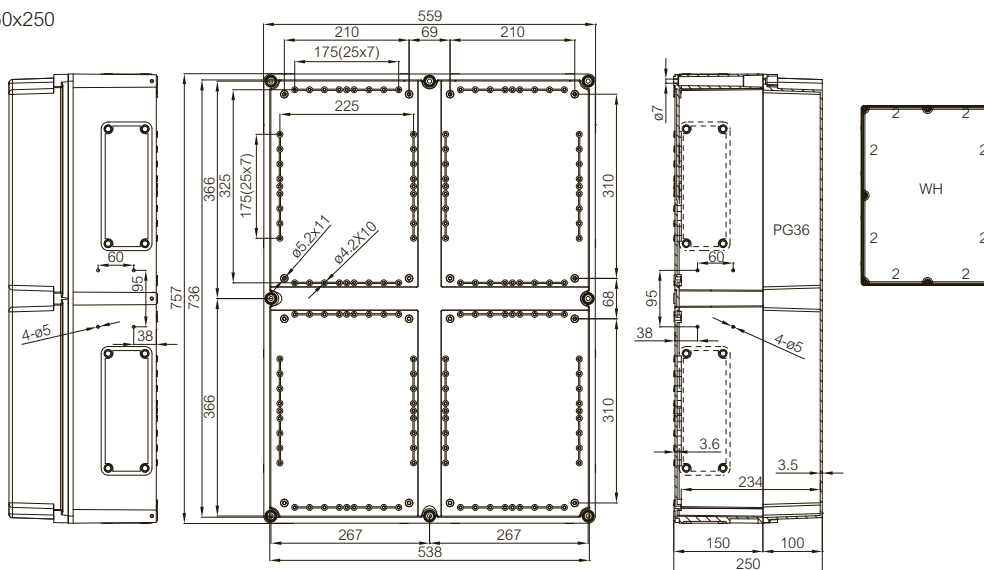
EK 560x280x130



EK 560x380x180



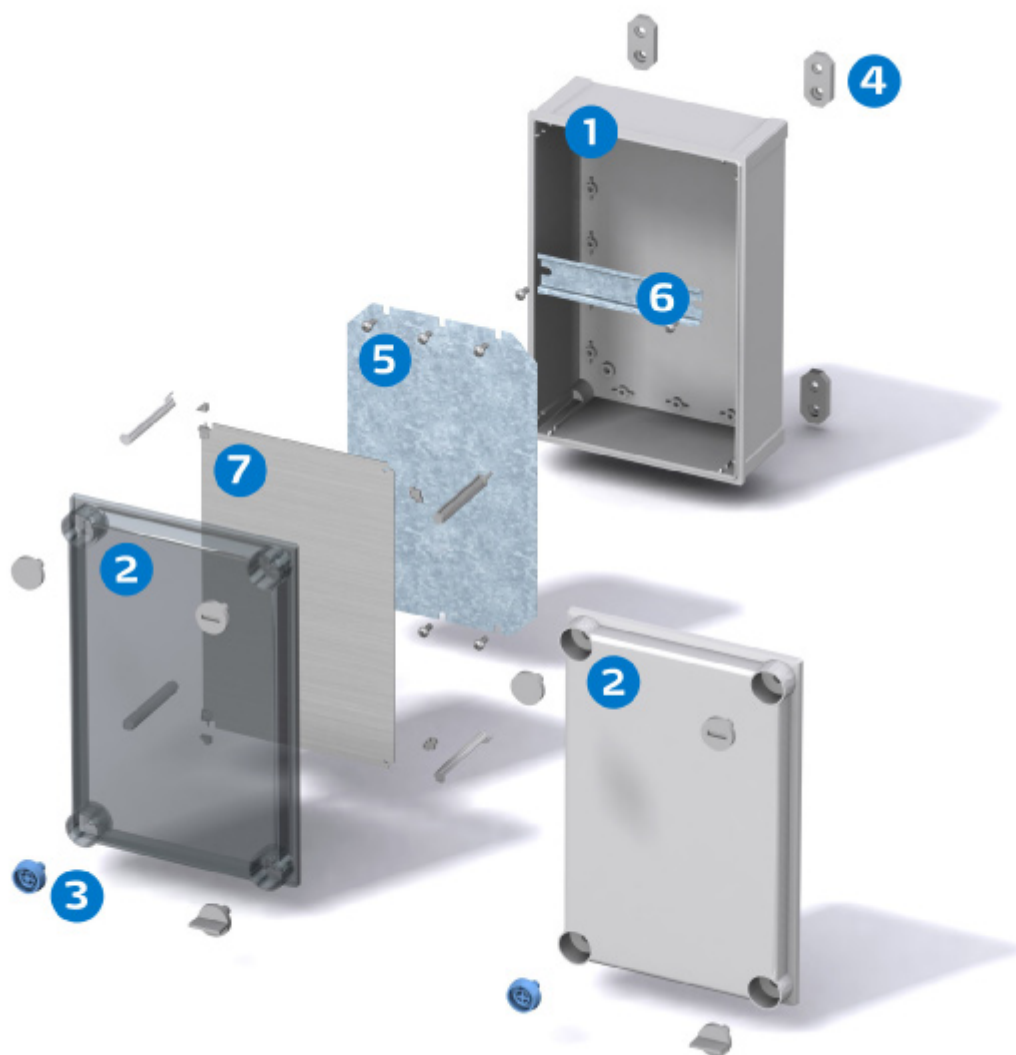
EK 760x560x250





**For harsh industrial and outdoor environments**  
 These smart, modern enclosures are so-named after their quick-screw covers. They're easy to close and open, but offer good protection against tampering. A large range of accessories is available.

Highly impact-resistant polycarbonate, suitable for rough industrial environments. Practical version with quick screw cover.



## Enclosure

- 1 Base
- 2 Cover, grey or transparent
- 3 Cover screws, various versions

## Accessories

- 4 Mounting set with cover screw attachments
- 5 Mounting plate, electro-galvanised steel, stable and impact-resistant
- 6 DIN rail  
different sizes TS 35
- 7 Pivotal front plate, aluminium

# QUICK

Including: Base with screws for mounting plate/DIN-rail, internal corner plugs, cover with PUR gasket and CS 12137 cover screws.

PC: IP66/IP67, IK08

| Dimensions                                                                          | Order Symbol      | Code    | EAN Code                                                                                                | Description                              |
|-------------------------------------------------------------------------------------|-------------------|---------|---------------------------------------------------------------------------------------------------------|------------------------------------------|
| <b>300x200x170 mm</b>                                                               |                   |         |                                                                                                         |                                          |
|    | CAB PCQ 302017 G  | 8113338 | <br>6 418074 011145   | Cabinet, PC<br>Grey cover                |
|                                                                                     | CAB PCQ 302017 T  | 8113038 | <br>6 418074 011077   | Cabinet, PC<br>Smoked transparent cover  |
|                                                                                     | CAB ABSQ 302017 G | 8183338 | <br>6 418074 011282   | Cabinet, ABS<br>Grey cover               |
|                                                                                     | CAB ABSQ 302017 T | 8183038 | <br>6 418074 011213   | Cabinet, ABS<br>Smoked transparent cover |
| <b>300x300x170 mm</b>                                                               |                   |         |                                                                                                         |                                          |
|   | CAB PCQ 303017 G  | 8113348 | <br>6 418074 011152  | Cabinet, PC<br>Grey cover                |
|                                                                                     | CAB PCQ 303017 T  | 8113048 | <br>6 418074 011084 | Cabinet, PC<br>Smoked transparent cover  |
|                                                                                     | CAB ABSQ 303017 G | 8183348 | <br>6 418074 011299 | Cabinet, ABS<br>Grey cover               |
|                                                                                     | CAB ABSQ 303017 T | 8183048 | <br>6 418074 011220 | Cabinet, ABS<br>Smoked transparent cover |
| <b>400x300x170 mm</b>                                                               |                   |         |                                                                                                         |                                          |
|  | CAB PCQ 403017 G  | 8113358 | <br>6 418074 011169 | Cabinet, PC<br>Grey cover                |
|                                                                                     | CAB PCQ 403017 T  | 8113058 | <br>6 418074 011091 | Cabinet, PC<br>Smoked transparent cover  |
|                                                                                     | CAB ABSQ 403017 G | 8183358 | <br>6 418074 011305 | Cabinet, ABS<br>Grey cover               |
|                                                                                     | CAB ABSQ 403017 T | 8183058 | <br>6 418074 011237 | Cabinet, ABS<br>Smoked transparent cover |



| Dimensions                                                                          | Order Symbol      | Code    | EAN Code                                                                                                | Description                              |
|-------------------------------------------------------------------------------------|-------------------|---------|---------------------------------------------------------------------------------------------------------|------------------------------------------|
| <b>400x300x230 mm</b>                                                               |                   |         |                                                                                                         |                                          |
|    | CAB PCQ 403023 G  | 8113458 | <br>6 418074 011176   | Cabinet, PC<br>Grey cover                |
|                                                                                     | CAB PCQ 403023 T  | 8113158 | <br>6 418074 011107   | Cabinet, PC<br>Smoked transparent cover  |
|                                                                                     | CAB ABSQ 403023 G | 8183858 | <br>6 418074 011312   | Cabinet, ABS<br>Grey cover               |
|                                                                                     | CAB ABSQ 403023 T | 8183158 | <br>6 418074 011244   | Cabinet, ABS<br>Smoked transparent cover |
| <b>400x400x170 mm</b>                                                               |                   |         |                                                                                                         |                                          |
|   | CAB PCQ 404017 G  | 8113488 | <br>6 418074 011183   | Cabinet, PC<br>Grey cover                |
|                                                                                     | CAB PCQ 404017 T  | 8113088 | <br>6 418074 011114 | Cabinet, PC<br>Smoked transparent cover  |
|                                                                                     | CAB ABSQ 404017 G | 8183888 | <br>6 418074 011329 | Cabinet, ABS<br>Grey cover               |
|                                                                                     | CAB ABSQ 404017 T | 8183188 | <br>6 418074 011251 | Cabinet, ABS<br>Smoked transparent cover |
| <b>600x300x170 mm</b>                                                               |                   |         |                                                                                                         |                                          |
|  | CAB PCQ 603017 G  | 8113468 | <br>6 418074 024633 | Cabinet, PC<br>Grey cover                |
|                                                                                     | CAB PCQ 603017 T  | 8113068 | <br>6 418074 024626 | Cabinet, PC<br>Smoked transparent cover  |

# QUICK

Including: Base with screws for mounting plate/DIN-rail, internal corner plugs, cover with PUR gasket and CS 12137 cover screws.

PC: IP66/IP67, IK08

| Dimensions                                                                         | Order Symbol      | Code    | EAN Code                                                                                                | Description                              |
|------------------------------------------------------------------------------------|-------------------|---------|---------------------------------------------------------------------------------------------------------|------------------------------------------|
| <b>600x400x210 mm</b>                                                              |                   |         |                                                                                                         |                                          |
|   | CAB PCQ 604021 G  | 8113378 | <br>6 418074 011190   | Cabinet, PC<br>Grey cover                |
|                                                                                    | CAB PCQ 604021 T  | 8113078 | <br>6 418074 011121   | Cabinet, PC<br>Smoked transparent cover  |
|                                                                                    | CAB ABSQ 604021 G | 8183378 | <br>6 418074 011336   | Cabinet, ABS<br>Grey cover               |
|                                                                                    | CAB ABSQ 604021 T | 8183078 | <br>6 418074 011268   | Cabinet, ABS<br>Smoked transparent cover |
| <b>600x400x270 mm</b>                                                              |                   |         |                                                                                                         |                                          |
|  | CAB PCQ 604027 G  | 8113478 | <br>6 418074 011206   | Cabinet, PC<br>Grey cover                |
|                                                                                    | CAB PCQ 604027 T  | 8113178 | <br>6 418074 011138 | Cabinet, PC<br>Smoked transparent cover  |
|                                                                                    | CAB ABSQ 604027 G | 8183878 | <br>6 418074 011343 | Cabinet, ABS<br>Grey cover               |
|                                                                                    | CAB ABSQ 604027 T | 8183178 | <br>6 418074 011275 | Cabinet, ABS<br>Smoked transparent cover |

## QUICK technical information

| Property                                             | Polycarbonate (PC)                     | ABS                         | Confirmity to standards                                                                                                                                                                                                                                                                                                                                                                                                                                                                                                                                                           |
|------------------------------------------------------|----------------------------------------|-----------------------------|-----------------------------------------------------------------------------------------------------------------------------------------------------------------------------------------------------------------------------------------------------------------------------------------------------------------------------------------------------------------------------------------------------------------------------------------------------------------------------------------------------------------------------------------------------------------------------------|
| Ingress Protection (EN 60529)                        | IP 66/IP 67                            | IP 66/IP 67                 | <b>USA</b> Enclosures for Electrical Equipment<br>PC: NEMA 1, 3, 3S, 4, 4X, 12 or 13; UL 746C-5VA flame test (UL 50/508)*<br>ABS: NEMA 1, 3, 3S, 4, 4X, 6, 6P, 12 or 13<br><br><b>Canada</b> Industrial Control Equipment<br>Enclosures for Electrical Equipment/ULc*<br><br><b>Europe</b> Empty enclosures for low-voltage switchgear and controlgear assemblies EN 62208:2003<br><b>Europe</b> Safety of Information Technology Equipment EN 60950<br>RoHS directive 2002/95/EC<br><br><b>Russia</b> GostR - Gost Russian certificate of conformity<br><br>*UL label on request |
| Impact Resistance (EN 62262)                         | IK 08                                  | IK 08                       |                                                                                                                                                                                                                                                                                                                                                                                                                                                                                                                                                                                   |
| Température Range Celsius (short term) Fahrenheit    | -40°...120°C<br>-40°...250°F           | -40°...80°C<br>-40°...175°F |                                                                                                                                                                                                                                                                                                                                                                                                                                                                                                                                                                                   |
| Température Range Celsius (continuous) Fahrenheit    | -40°...80°C<br>-40°...175°F            | -40°...60°C<br>-40°...140°F |                                                                                                                                                                                                                                                                                                                                                                                                                                                                                                                                                                                   |
| Electrical Insulation                                | Totally insulated ☐                    | Totally insulated ☐         |                                                                                                                                                                                                                                                                                                                                                                                                                                                                                                                                                                                   |
| Light Grey Parts Colour                              | RAL 7035<br>Industry Grey              | RAL 7035<br>Industry Grey   |                                                                                                                                                                                                                                                                                                                                                                                                                                                                                                                                                                                   |
| Transparent Clear PC Cover                           | Smoked Grey                            | Smoked Grey                 |                                                                                                                                                                                                                                                                                                                                                                                                                                                                                                                                                                                   |
| Cover Screw Heads                                    | RAL 5023                               | RAL 5023                    |                                                                                                                                                                                                                                                                                                                                                                                                                                                                                                                                                                                   |
| Cover Screw Heads                                    | Polyamide (PA)                         | Polyamide (PA)              |                                                                                                                                                                                                                                                                                                                                                                                                                                                                                                                                                                                   |
| Gasket                                               | PUR                                    | PUR                         |                                                                                                                                                                                                                                                                                                                                                                                                                                                                                                                                                                                   |
| Enclosure Flammability Rating                        | UL 746C 5V*                            |                             |                                                                                                                                                                                                                                                                                                                                                                                                                                                                                                                                                                                   |
| Glow Wire Test (IEC 695-2-1) Self-extinguishing (PC) | 960°C                                  | 650°C                       |                                                                                                                                                                                                                                                                                                                                                                                                                                                                                                                                                                                   |
| Non-toxicity                                         | Halogen Free                           | Halogen Free                |                                                                                                                                                                                                                                                                                                                                                                                                                                                                                                                                                                                   |
| UV resistance                                        | UL 508<br>720 hours in "Weatherometer" |                             |                                                                                                                                                                                                                                                                                                                                                                                                                                                                                                                                                                                   |
| Chemical Resistance *                                | Good                                   | Good                        |                                                                                                                                                                                                                                                                                                                                                                                                                                                                                                                                                                                   |

Data subject to change without notice.

\*\*Consult separate raw material data for more detailed information









|                                                                                     | Order symbol | Code    | Dimensions | EAN code                                                                                                | Description                                                                                                                                                 |
|-------------------------------------------------------------------------------------|--------------|---------|------------|---------------------------------------------------------------------------------------------------------|-------------------------------------------------------------------------------------------------------------------------------------------------------------|
| <b>Mounting plates (Galvanized steel, sheet thickness 1,5 mm)</b>                   |              |         |            |                                                                                                         |                                                                                                                                                             |
|    | EKIV 23      | 4712117 | 270x170    | <br>6 418074 032713   | Mounting plate, for enclosures:<br>300x200x170, 300x200x180                                                                                                 |
|                                                                                     | EKIV 33      | 4712118 | 270x270    | <br>6 418074 032720   | Mounting plate, for enclosures:<br>300x300x170, 300x300x180,<br>600x300x170                                                                                 |
|                                                                                     | EKIV 43      | 4712119 | 270x370    | <br>6 418074 032737   | Mounting plate, for enclosures:<br>400x300x170, 400x300x230,<br>400x300x180                                                                                 |
|                                                                                     | EKIV 44      | 4712289 | 370x370    | <br>6 418074 034984   | Mounting plate, for enclosures:<br>400x400x170                                                                                                              |
|                                                                                     | EKIV 63      | 4712120 | 270x570    | <br>6 418074 032744   | Mounting plate, for enclosures:<br>600x300x170                                                                                                              |
|                                                                                     | EKIV 64H     | 4712300 | 370x570    | <br>6 418074 034991 | Mounting plate, for enclosures:<br>600x400x210, 600x400x270,<br>600x400x220                                                                                 |
| <b>Spacers</b>                                                                      |              |         |            |                                                                                                         |                                                                                                                                                             |
|  | FA 12053     | 4712053 |            | <br>6 418074 032171 | Spacer 14 mm<br>M5 self-cutting                                                                                                                             |
|                                                                                     | FA 12052     | 4712052 |            | <br>6 418074 032164 | Spacer 42 mm<br>M5 self-cutting                                                                                                                             |
| <b>DIN-35 Mounting rails (Galvanized steel, rail height 7,5 mm)</b>                 |              |         |            |                                                                                                         |                                                                                                                                                             |
|  | EKIV 17      | 4712126 | 166x35     | <br>6 418074 032768 | DIN-35 Mounting rail, for<br>enclosures:<br>300x200x170, 300x200x180                                                                                        |
|                                                                                     | EKIV 27      | 4712127 | 266x35     | <br>6 418074 032775 | DIN-35 Mounting rail, for<br>enclosures:<br>300x200x170-400x300x230,<br>300x200x180-400x300x180                                                             |
|                                                                                     | EKIV 37      | 4712128 | 366x35     | <br>6 418074 032782 | DIN-35 Mounting rail, for<br>enclosures:<br>400x300x170, 400x300x230,<br>400x400x170, 600x400x210,<br>600x400x270, 400x300x180,<br>500x400x200, 600x400x220 |
|                                                                                     | EKIV 47      | 8392231 | 466x35     | <br>6 418074 021670 | DIN-35 Mounting rail, for<br>enclosures:<br>500x400x200                                                                                                     |

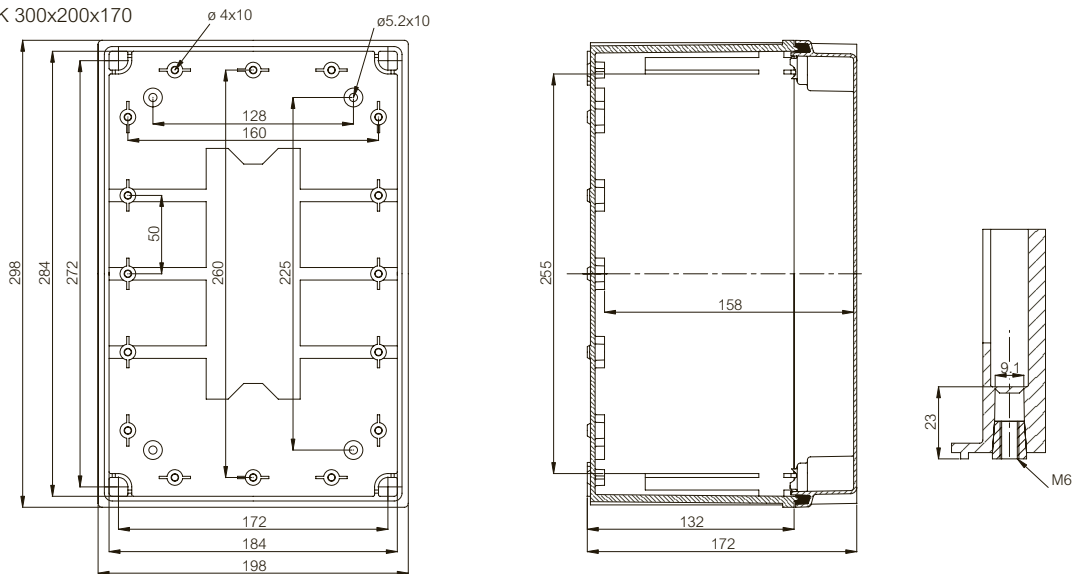


|                                                                                     | Order symbol | Code    | Dimensions | EAN code                                                                                                | Description                                                                                   |
|-------------------------------------------------------------------------------------|--------------|---------|------------|---------------------------------------------------------------------------------------------------------|-----------------------------------------------------------------------------------------------|
| <b>Front plates (Aluminium, sheet thickness 1,5 mm)</b>                             |              |         |            |                                                                                                         |                                                                                               |
|    | FP A 23      | 8392226 | 268x166    | <br>6 418074 021564   | Swing-out door/Front plate (aluminium), for enclosures: 300x200x170, 300x200x180              |
|                                                                                     | FP A 33      | 8392227 | 268x266    | <br>6 418074 021571   | Swing-out door/Front plate (aluminium), for enclosures: 300x300x170, 300x300x180              |
|                                                                                     | FP A 43      | 8392224 | 368x266    | <br>6 418074 021588   | Swing-out door/Front plate (aluminium), for enclosures: 400x300x170, 400x300x230, 400x300x180 |
|                                                                                     | FP A 44      | 8392272 | 368x368    | <br>6 418074 035035   | Swing-out door/Front plate (aluminium), for enclosures: 400x400x170                           |
|                                                                                     | FP A 63      | 8392399 | 568x266    | <br>6 418074 052377   | Swing-out door/Front plate (aluminium), for enclosures: 600x300x170                           |
|                                                                                     | FP A 64      | 8392229 | 366x568    | <br>6 418074 021601 | Swing-out door/Front plate (aluminium), for enclosures: 600x400x210, 600x400x270, 600x400x220 |
| <b>Swing door sets</b>                                                              |              |         |            |                                                                                                         |                                                                                               |
|  | MB 12225 AL  | 8390007 |            | <br>6 418074 033116 | Swing door set for aluminium front plates                                                     |
|                                                                                     | MB 12225     | 8390001 |            | <br>6 418074 021540 | Swing door set for plastic front plates                                                       |

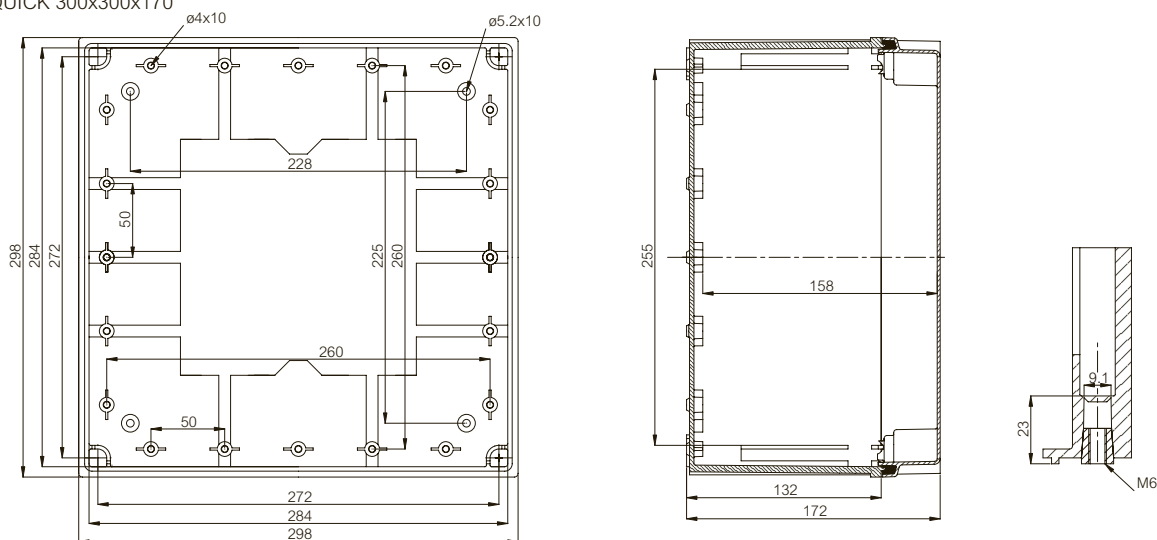
|                                                                                     | Order symbol | Code    | Dimensions | EAN code                                                                                                | Description                                                              |
|-------------------------------------------------------------------------------------|--------------|---------|------------|---------------------------------------------------------------------------------------------------------|--------------------------------------------------------------------------|
| <b>Front plate with module openings</b>                                             |              |         |            |                                                                                                         |                                                                          |
|    | FP 12-23     | 8392218 | 278x178    | <br>6 418074 021618   | Front plate, for enclosures:<br>300x200x170, 300x200x180                 |
|                                                                                     | FP 12-33     | 8392219 | 278x278    | <br>6 418074 021625   | Front plate, for enclosures:<br>300x300x170, 300x300x180                 |
|                                                                                     | FP 12x2-33   | 8392220 | 278x278    | <br>6 418074 021632   | Front plate, for enclosures:<br>300x300x170, 300x300x180                 |
|                                                                                     | FP 12x2-43   | 8392222 | 278x378    | <br>6 418074 021649   | Front plate, for enclosures:<br>400x300x170, 400x300x230,<br>400x300x180 |
|                                                                                     | FP 12x3-43   | 8392221 | 278x378    | <br>6 418074 021663   | Front plate, for enclosures:<br>400x300x170, 400x300x230,<br>400x300x180 |
|                                                                                     | FP 18x2-44   | 8392286 | 378x378    | <br>6 418074 035929  | Front plate, for enclosures:<br>400x400x170                              |
|                                                                                     | FP 18x3-64   | 8392232 | 378x578    | <br>6 418074 035943 | Front plate, for enclosures:<br>600x400x210, 600x400x270,<br>600x400x220 |
| <b>DIN rail supports</b>                                                            |              |         |            |                                                                                                         |                                                                          |
|                                                                                     | FP 12190     | 4512190 |            | <br>6 418074 032478 | DIN rail support                                                         |
|                                                                                     | FP 12190SET  | 4712190 |            | <br>6 418074 032904 | DIN rail support set                                                     |
| <b>Hinges and wall mounting</b>                                                     |              |         |            |                                                                                                         |                                                                          |
|  | PAT 12040    | 4512040 |            | <br>6 418074 032409 | Hinge set<br>incl. screws                                                |
|                                                                                     | FP 12017     | 4712045 |            | <br>6 418074 032560 | Wall fastening lug (4 pcs)                                               |
|                                                                                     | SP 12087     | 4712087 |            | <br>6 418074 032621 | Corner plug, red                                                         |

|                                                                                     | Order symbol | Code    | Dimensions | EAN code                                                                                                | Description                                                                                  |
|-------------------------------------------------------------------------------------|--------------|---------|------------|---------------------------------------------------------------------------------------------------------|----------------------------------------------------------------------------------------------|
| <b>DIN rail frame sets</b>                                                          |              |         |            |                                                                                                         |                                                                                              |
|    | DRF 23       | 4712200 |            | <br>6 418074 040923   | DIN rail frame set, for enclosures:<br>300x200x170, 300x200x180                              |
|                                                                                     | DRF 33       | 4712205 |            | <br>6 418074 040930   | DIN rail frame set, for enclosures:<br>300x200x170, 300x300x170,<br>600x300x170, 300x300x180 |
|                                                                                     | DRF 43/44    | 4712201 |            | <br>6 418074 040947   | DIN rail frame set, for enclosures:<br>400x300x170, 400x300x230,<br>400x400x170, 400x300x180 |
|                                                                                     | DRF 63/64    | 4712204 |            | <br>6 418074 040961   | DIN rail frame set, for enclosures:<br>600x400x210, 600x400x270,<br>600x400x220              |
| <b>Cover screw heads and mounting screws</b>                                        |              |         |            |                                                                                                         |                                                                                              |
|  | CS 12137     | 4512137 |            | <br>6 418074 035905  | Cover screw head, blue<br>crossed head                                                       |
|                                                                                     | SS 12136     | 4712136 |            | <br>6 418074 032843 | Cover screw<br>grey slotted head                                                             |
|                                                                                     | HS 12112     | 4712112 |            | <br>6 418074 032690 | Cover screw<br>grey wing head                                                                |
|                                                                                     | BS 12138     | 4712138 |            | <br>6 418074 032867 | Cover screw<br>grey blind head                                                               |
|                                                                                     | QUICK SET    | 8390002 |            | <br>6 418074 039842 | Set includes 4x CS 12137, 4x SP<br>12087 and 4 mounting screws                               |
|                                                                                     | MSM PT 5x10  | 4712049 |            | <br>6 418074 032577 | Mounting screw                                                                               |

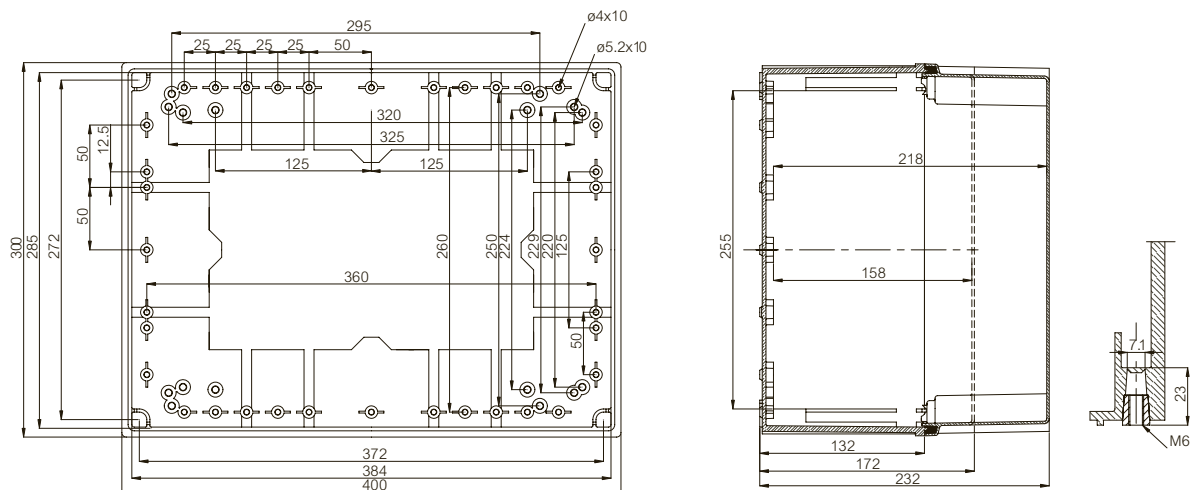
QUICK 300x200x170



QUICK 300x300x170

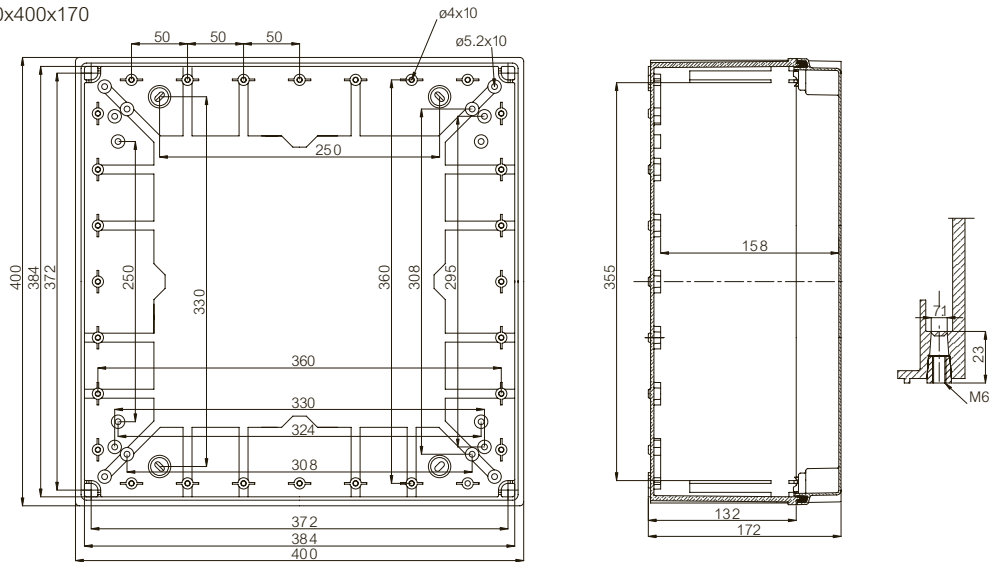


QUICK 400x300x170-230

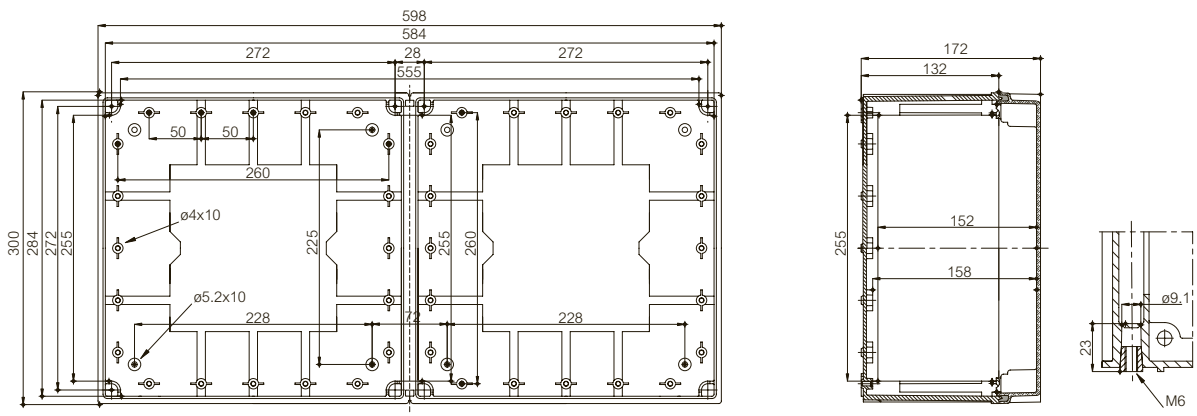


## Dimensional drawings

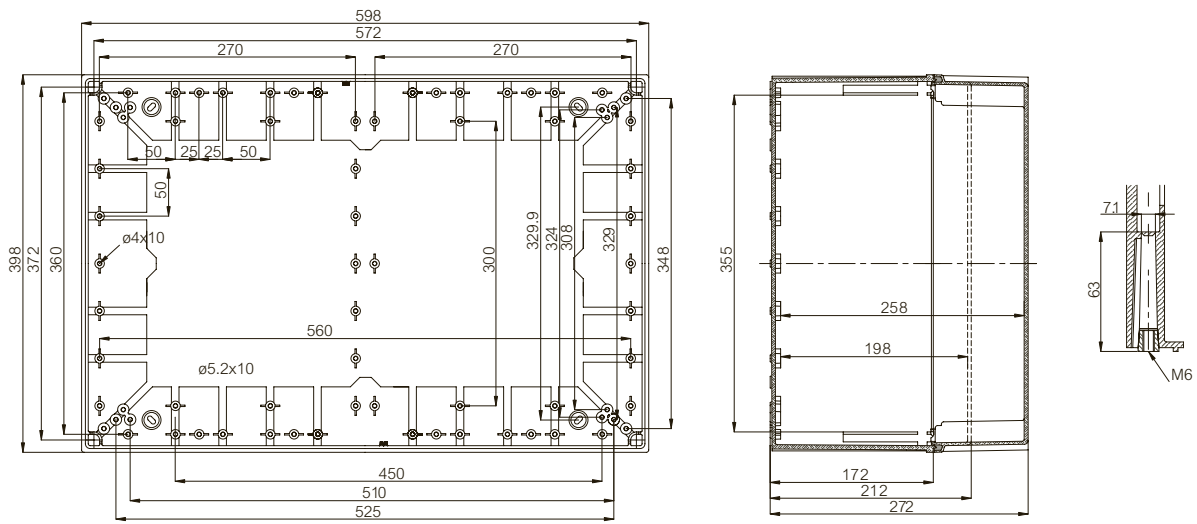
QUICK 400x400x170



QUICK 600x300x170



QUICK 600x400x210-270

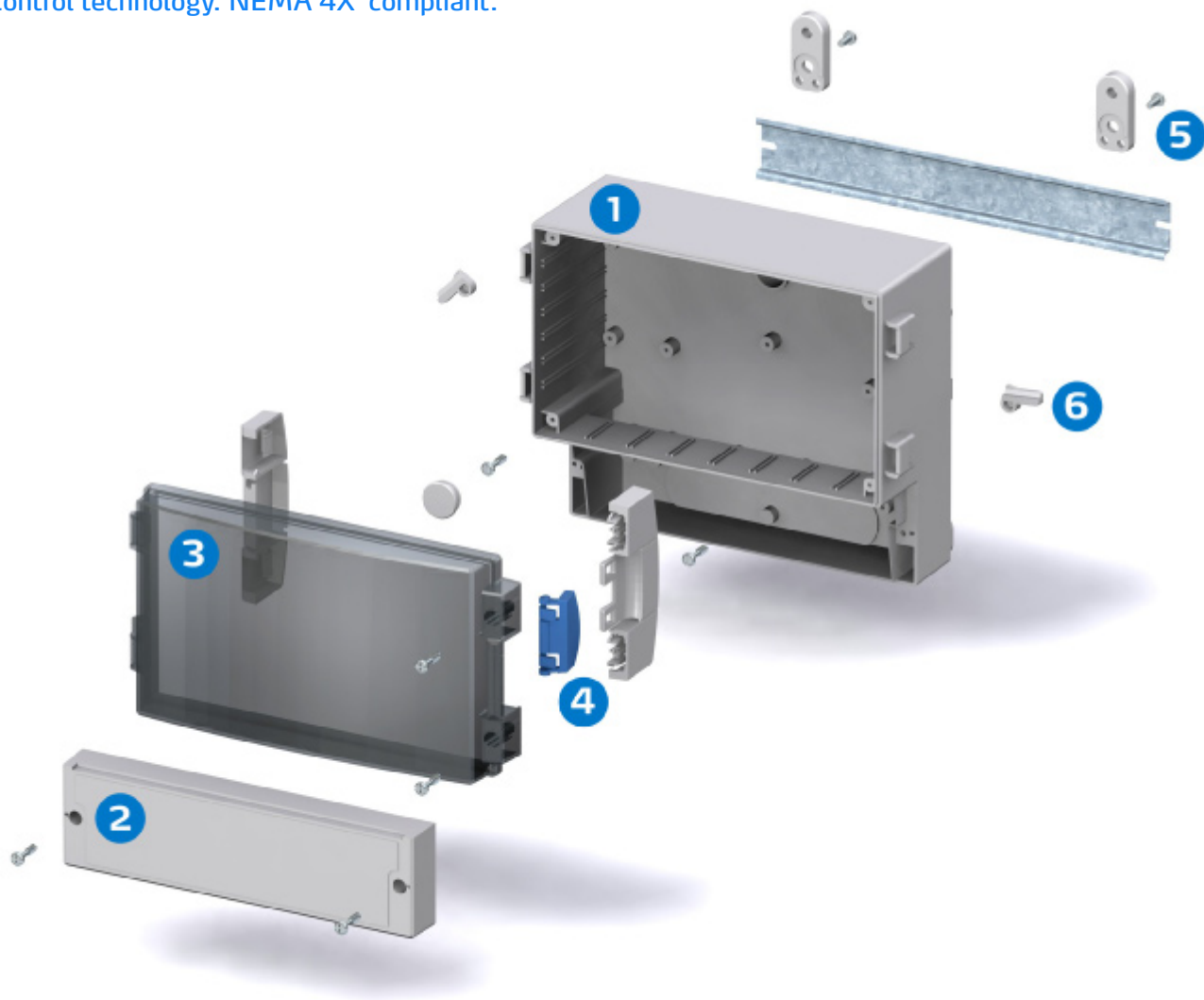




## Two compartments in one

Cardmaster is a modern new design which keeps the sensitive electronics and display equipment away from the connection chamber. Ready access to surface mounted components via hinged covers or rigid front plates. Cardmaster is compatible with existing competitors ranges.

Everything under control in the field of measurement and control technology. NEMA 4X compliant.



## Enclosure

- 1 Basic enclosure optionally available with or without knockouts
- 2 PC front plate frame or transparent hinged cover options are standard. PUR gasket and assembly screws are included. Separate connection compartment.
- 3 Polycarbonate and ABS enclosure body available.
- 4 Facility to install tamper proof locking screws in the hinged cover.

## Accessories

- 5 Fastening lugs, 2 pcs. incl. screws hinge and lock set
- 6 Internal mounting options and external din-rail mounting facility are included.

# CARDMASTER

Including: Base, terminal compartment cover and screws for mounting plate/DIN-rail. -3 and -L3 versions: Transparent cover with PUR gasket, hinges, locking devices; FC version: Closed PC frame front plate with PUR gasket and cover screws.

17/16-25/22 PC: IP66/IP67, IK08, ABS:IP65, IK07  
30/25-36/31 PC: IP65, IK08, ABS: IP65, IK07

| Dimensions                                                                          | Order Symbol   | Code    | EAN Code                                                                                                | Description                                       |
|-------------------------------------------------------------------------------------|----------------|---------|---------------------------------------------------------------------------------------------------------|---------------------------------------------------|
| <b>166x160x80 mm</b>                                                                |                |         |                                                                                                         |                                                   |
|    | PC 17/16-LC3   | 7520104 | <br>6 418074 039309   | Enclosure, PC<br>Without main cover               |
|                                                                                     | ABS 17/16-LC3  | 7580104 | <br>6 418074 039316   | Enclosure, ABS<br>Without main cover              |
| <b>166x160x89 mm</b>                                                                |                |         |                                                                                                         |                                                   |
|   | PC 17/16-LFC3  | 7520204 | <br>6 418074 010247   | Enclosure, PC<br>Grey screw cover                 |
| <b>166x160x106 mm</b>                                                               |                |         |                                                                                                         |                                                   |
|  | PC 17/16-L3    | 7525105 | <br>6 418074 056719 | Enclosure, PC<br>Smoked transparent hinged cover  |
|                                                                                     | PC 17/16-L3TT  | 7526105 | <br>6 418074 062017 | Enclosure, PC<br>Clear transparent hinged cover   |
|                                                                                     | ABS 17/16-L3   | 7585105 | <br>6 418074 056764 | Enclosure, ABS<br>Smoked transparent hinged cover |
|                                                                                     | ABS 17/16-L3TT | 7586105 | <br>6 418074 062079 | Enclosure, ABS<br>Clear transparent hinged cover  |
| <b>166x160x108 mm</b>                                                               |                |         |                                                                                                         |                                                   |
|  | PC 17/16-C3    | 7520080 | <br>6 418074 010179 | Enclosure, PC<br>Without main cover               |
|                                                                                     | ABS 17/16-C3   | 7580080 | <br>6 418074 010193 | Enclosure, ABS<br>Without main cover              |



Including: Base, terminal compartment cover and screws for mounting plate/DIN-rail. -3 and -L3 versions: Transparent cover with PUR gasket, hinges, locking devices; FC version: Closed PC frame front plate with PUR gasket and cover screws.

17/16-25/22 PC: IP66/IP67, IK08, ABS:IP65, IK07  
30/25-36/31 PC: IP65, IK08, ABS: IP65, IK07

| Dimensions                                                                          | Order Symbol  | Code    | EAN Code                                                                                                | Description                                       |
|-------------------------------------------------------------------------------------|---------------|---------|---------------------------------------------------------------------------------------------------------|---------------------------------------------------|
| <b>166x160x118 mm</b>                                                               |               |         |                                                                                                         |                                                   |
|    | PC 17/16-FC3  | 7520280 | <br>6 418074 010254   | Enclosure, PC<br>Grey screw cover                 |
| <b>166x160x134 mm</b>                                                               |               |         |                                                                                                         |                                                   |
|   | PC 17/16-3    | 7525165 | <br>6 418074 056726   | Enclosure, PC<br>Smoked transparent hinged cover  |
|                                                                                     | PC 17/16-3TT  | 7526165 | <br>6 418074 062024  | Enclosure, PC<br>Clear transparent hinged cover   |
|                                                                                     | ABS 17/16-3   | 7585165 | <br>6 418074 056771 | Enclosure, ABS<br>Smoked transparent hinged cover |
|                                                                                     | ABS 17/16-3TT | 7586165 | <br>6 418074 062086 | Enclosure, ABS<br>Clear transparent hinged cover  |
| <b>213x185x90 mm</b>                                                                |               |         |                                                                                                         |                                                   |
|  | PC 21/18-C3   | 7520081 | <br>6 418074 010216 | Enclosure, PC<br>Without main cover               |
|                                                                                     | ABS 21/18-C3  | 7580081 | <br>6 418074 010230 | Enclosure, ABS<br>Without main cover              |
| <b>213x185x102 mm</b>                                                               |               |         |                                                                                                         |                                                   |
|  | PC 21/18-FC3  | 7520281 | <br>6 418074 010261 | Enclosure, PC<br>Grey screw cover                 |

# CARDMASTER

Including: Base, terminal compartment cover and screws for mounting plate/DIN-rail. -3 and -L3 versions: Transparent cover with PUR gasket, hinges, locking devices; FC version: Closed PC frame front plate with PUR gasket and cover screws.

17/16-25/22 PC: IP66/IP67, IK08, ABS:IP65, IK07  
30/25-36/31 PC: IP65, IK08, ABS: IP65, IK07

| Dimensions                                                                          | Order Symbol  | Code    | EAN Code                                                                                                | Description                                       |
|-------------------------------------------------------------------------------------|---------------|---------|---------------------------------------------------------------------------------------------------------|---------------------------------------------------|
| <b>213x185x119 mm</b>                                                               |               |         |                                                                                                         |                                                   |
|    | PC 21/18-3    | 7525154 | <br>6 418074 056733   | Enclosure, PC<br>Smoked transparent hinged cover  |
|                                                                                     | PC 21/18-3TT  | 7526154 | <br>6 418074 062031   | Enclosure, PC<br>Clear transparent hinged cover   |
|                                                                                     | ABS 21/18-3   | 7585154 | <br>6 418074 056788   | Enclosure, ABS<br>Smoked transparent hinged cover |
|                                                                                     | ABS 21/18-3TT | 7586154 | <br>6 418074 062093   | Enclosure, ABS<br>Clear transparent hinged cover  |
| <b>257x219x122 mm</b>                                                               |               |         |                                                                                                         |                                                   |
|   | PC 25/22-C3   | 7520141 | <br>6 418074 059352   | Enclosure, PC<br>Without main cover               |
|                                                                                     | ABS 25/22-C3  | 7580141 | <br>6 418074 059369 | Enclosure, ABS<br>Without main cover              |
| <b>257x219x135 mm</b>                                                               |               |         |                                                                                                         |                                                   |
|  | PC 25/22-FC3  | 7520241 | <br>6 418074 059376 | Enclosure, PC<br>Grey screw cover                 |

Including: Base, terminal compartment cover and screws for mounting plate/DIN-rail. -3 and -L3 versions: Transparent cover with PUR gasket, hinges, locking devices; FC version: Closed PC frame front plate with PUR gasket and cover screws.

17/16-25/22 PC: IP66/IP67, IK08, ABS:IP65, IK07  
30/25-36/31 PC: IP65, IK08, ABS: IP65, IK07

| Dimensions                                                                          | Order Symbol  | Code    | EAN Code                                                                                                | Description                                       |
|-------------------------------------------------------------------------------------|---------------|---------|---------------------------------------------------------------------------------------------------------|---------------------------------------------------|
| <b>257x219x156 mm</b>                                                               |               |         |                                                                                                         |                                                   |
|    | PC 25/22-3    | 7525134 | <br>6 418074 059390   | Enclosure, PC<br>Smoked transparent hinged cover  |
|                                                                                     | PC 25/22-3TT  | 7526134 | <br>6 418074 062048   | Enclosure, PC<br>Clear transparent hinged cover   |
|                                                                                     | ABS 25/22-3   | 7585134 | <br>6 418074 059406   | Enclosure, ABS<br>Smoked transparent hinged cover |
|                                                                                     | ABS 25/22-3TT | 7586134 | <br>6 418074 062109   | Enclosure, ABS<br>Clear transparent hinged cover  |
| <b>314x260x95 mm</b>                                                                |               |         |                                                                                                         |                                                   |
|   | PC 30/25-C3   | 7520031 | <br>6 418074 005854   | Enclosure, PC<br>With aluminium front plate       |
|                                                                                     | ABS 30/25-C3  | 7580031 | <br>6 418074 005946 | Enclosure, ABS<br>With aluminium front plate      |
| <b>314x260x110 mm</b>                                                               |               |         |                                                                                                         |                                                   |
|  | PC 30/25-FC3  | 7520231 | <br>6 418074 059383 | Enclosure, PC<br>Grey screw cover                 |

# CARDMASTER

Including: Base, terminal compartment cover and screws for mounting plate/DIN-rail. -3 and -L3 versions: Transparent cover with PUR gasket, hinges, locking devices; FC version: Closed PC frame front plate with PUR gasket and cover screws.

17/16-25/22 PC: IP66/IP67, IK08, ABS:IP65, IK07

30/25-36/31 PC: IP65, IK08, ABS: IP65, IK07

| Dimensions                                                                          | Order Symbol  | Code    | EAN Code                                                                                                | Description                                       |
|-------------------------------------------------------------------------------------|---------------|---------|---------------------------------------------------------------------------------------------------------|---------------------------------------------------|
| <b>314x260x129 mm</b>                                                               |               |         |                                                                                                         |                                                   |
|    | PC 30/25-3    | 7525019 | <br>6 418074 056740   | Enclosure, PC<br>Smoked transparent hinged cover  |
|                                                                                     | PC 30/25-3TT  | 7526019 | <br>6 418074 062055   | Enclosure, PC<br>Clear transparent hinged cover   |
|                                                                                     | ABS 30/25-3   | 7585019 | <br>6 418074 056795   | Enclosure, ABS<br>Smoked transparent hinged cover |
|                                                                                     | ABS 30/25-3TT | 7586019 | <br>6 418074 062116   | Enclosure, ABS<br>Clear transparent hinged cover  |
| <b>383x316x134 mm</b>                                                               |               |         |                                                                                                         |                                                   |
|   | PC 36/31-C3   | 7520032 | <br>6 418074 005861   | Enclosure, PC<br>With aluminium front plate       |
|                                                                                     | ABS 36/31-C3  | 7580032 | <br>6 418074 005953 | Enclosure, ABS<br>With aluminium front plate      |
| <b>383x316x167 mm</b>                                                               |               |         |                                                                                                         |                                                   |
|  | PC 36/31-3    | 7525020 | <br>6 418074 056757 | Enclosure, PC<br>Smoked transparent hinged cover  |
|                                                                                     | PC 36/31-3TT  | 7526020 | <br>6 418074 062062 | Enclosure, PC<br>Clear transparent hinged cover   |
|                                                                                     | ABS 36/31-3   | 7585020 | <br>6 418074 056801 | Enclosure, ABS<br>Smoked transparent hinged cover |
|                                                                                     | ABS 36/31-3TT | 7586020 | <br>6 418074 062123 | Enclosure, ABS<br>Clear transparent hinged cover  |

Including: Base, terminal compartment cover and screws for mounting plate/DIN-rail. -3 and -L3 versions: Transparent cover with PUR gasket, hinges, locking devices; FC version: Closed PC frame front plate with PUR gasket and cover screws.

17/16-25/22 PC: IP66/IP67, IK08, ABS:IP65, IK07  
30/25-36/31 PC: IP65, IK08, ABS: IP65, IK07

## CARDMASTER technical information

| Property                                                 | Polycarbonate (PC)                            | ABS                             |
|----------------------------------------------------------|-----------------------------------------------|---------------------------------|
| Ingress Protection (EN 60529)                            | IP66/IP67<br>IP65                             | IP 65<br>IP 65                  |
| Impact Resistance (EN 62262)                             | IK 07 (side surface)<br>IK 08 (front surface) | IK07                            |
| Température Range Celsius<br>(short term) Fahrenheit     | -40° . . 120°C<br>-40° . . 250°F              | -40° . . 80°C<br>-40° . . 175°F |
| Température Range Celsius<br>(continuous) Fahrenheit     | -40° . . 80°C<br>-40° . . 175°F               | -40° . . 60°C<br>-40° . . 140°F |
| Electrical Insulation                                    | Totally insulated ☐                           | Totally insulated ☐             |
| Light Grey Parts Colour                                  | RAL 7035<br>Industry Grey                     | RAL 7035<br>Industry Grey       |
| Transparent Clear PC Cover                               | Smoked Grey or Clear                          | Smoked Grey or<br>Clear         |
| Latches (PA)                                             | RAL 5023                                      | RAL 5023                        |
| Gasket                                                   | PUR/EPDM                                      | PUR/EPDM                        |
| Enclosure Flammability Rating                            | UL 746C 5V*                                   |                                 |
| Glow Wire Test<br>(IEC 695-2-1) Self -extinguishing (PC) | 960°C                                         | 650°C                           |
| Non-toxicity                                             | Halogen Free                                  | Halogen Free                    |
| UV resistance                                            | UL 508<br>720 hours in<br>"Weatherometer"     |                                 |
| Chemical Resistance **                                   | Good                                          | Good                            |

### Confirmity to standards

**USA** Enclosures for Electrical Equipment  
PC: UL Type 1, 4X\* or 12K; UL File E75645 Vol 1 Sec 5;  
UL 746C-5VA flame test (UL 50/508)\*  
PC 17/16L, 17/16 and 21/18: -3 and -FC3 -models  
ABS: NEMA 1, 12K

**Canada** Industrial Control Equipment  
Enclosures for Electrical Equipment/ULc\*

**Europe** Empty enclosures for low-voltage switchgear and  
controlgear assemblies EN 62208:2003

**Europe** Safety of Information Technology Equipment EN 60950  
RoHS directive 2002/95/EC

**Russia** GostR - Gost Russian certificate of conformity

\*UL label on request

Data subject to change without notice.

\*\* Consult separate raw material data for more detailed information

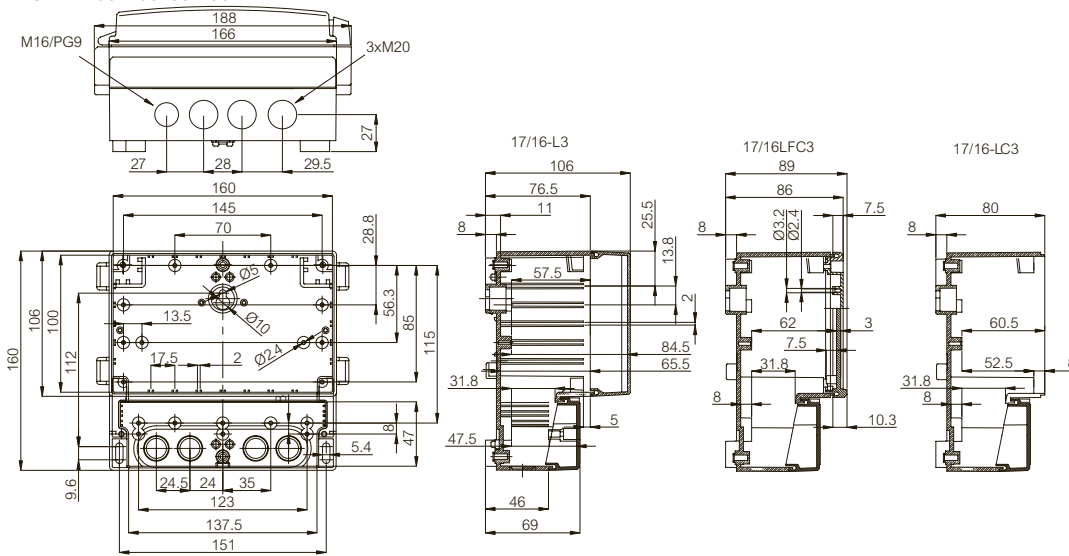
|                                                                                     | Order symbol | Code    | Dimensions | EAN code                                                                                                | Description                                                                                                                     |
|-------------------------------------------------------------------------------------|--------------|---------|------------|---------------------------------------------------------------------------------------------------------|---------------------------------------------------------------------------------------------------------------------------------|
| <b>Mounting plates (Galvanized steel, sheet thickness 1,5 mm)</b>                   |              |         |            |                                                                                                         |                                                                                                                                 |
|    | MP 17/16     | 7720071 | 133x136    | <br>6 418074 036735   | Mounting plate, for enclosures:<br>166x160x80, 166x160x89,<br>166x160x106, 166x160x108,<br>166x160x118, 188x160x134             |
|                                                                                     | MP 21/18     | 7720035 | 200x142    | <br>6 418074 033383   | Mounting plate, for enclosures:<br>213x185x90, 213x185x102,<br>235x185x119                                                      |
|                                                                                     | MP 25/22     | 7720140 | 175x225    | <br>6 418074 059307   | Mounting plate, for enclosures:<br>257x219x122, 257x219x135,<br>280x219x156                                                     |
|                                                                                     | MP 30/25     | 7720033 | 215x282    | <br>6 418074 033390   | Mounting plate, for enclosures:<br>314x260x95, 314x260x110,<br>320x260x129                                                      |
|                                                                                     | MP 36/31     | 7720036 | 258x345    | <br>6 418074 033406  | Mounting plate, for enclosures:<br>383x316x134, 390x316x167                                                                     |
| <b>Front plates (Aluminium, sheet thickness 1,5 mm)</b>                             |              |         |            |                                                                                                         |                                                                                                                                 |
|  | FP 17/16     | 7720070 | 98x158     | <br>6 418074 035783 | Front plate (aluminium), for<br>enclosures:<br>166x160x80, 166x160x89,<br>166x160x106, 166x160x108,<br>166x160x118, 188x160x134 |
|                                                                                     | FP 21/18     | 7720026 | 117x205    | <br>6 418074 033352 | Front plate (aluminium), for<br>enclosures:<br>213x185x90, 213x185x102,<br>235x185x119                                          |
|                                                                                     | FP 25/22     | 7720139 | 150x250    | <br>6 418074 059291 | Front plate (aluminium), for<br>enclosures:<br>257x219x122, 257x219x135,<br>280x219x156                                         |
|                                                                                     | FP 30/25     | 7720027 | 189x289    | <br>6 418074 033369 | Front plate (aluminium), for<br>enclosures:<br>314x260x95, 314x260x110,<br>320x260x129                                          |
|                                                                                     | FP 36/31     | 7720028 | 224x354    | <br>6 418074 033376 | Front plate (aluminium), for<br>enclosures:<br>383x316x134, 390x316x167                                                         |

|                                                                                     | Order symbol | Code    | Dimensions | EAN code                                                                                                | Description                                                                                                                  |
|-------------------------------------------------------------------------------------|--------------|---------|------------|---------------------------------------------------------------------------------------------------------|------------------------------------------------------------------------------------------------------------------------------|
| <b>Frames IP 65 (Polycarbonate, PUR Gasket)</b>                                     |              |         |            |                                                                                                         |                                                                                                                              |
|    | FC PC 17/16  | 7720102 | 106x166    | <br>6 418074 034687   | Frame of PC front plate, for enclosures:<br>166x160x80, 166x160x89,<br>166x160x106, 166x160x108,<br>166x160x118, 188x160x134 |
|                                                                                     | FC PC 21/18  | 7720100 | 125x213    | <br>6 418074 034670   | Frame of PC front plate, for enclosures:<br>213x185x90, 213x185x102,<br>235x185x119                                          |
|                                                                                     | FC PC 25/22  | 7720111 | 157x257    | <br>6 418074 059338   | Frame of PC front plate, for enclosures:<br>257x219x122, 257x219x135,<br>280x219x156                                         |
|                                                                                     | FC PC 30/25  | 7720112 | 196x296    | <br>6 418074 059345   | Frame of PC front plate, for enclosures:<br>314x260x95, 314x260x110,<br>320x260x129                                          |
| <b>Smoked transparent covers (Polycarbonate, PUR Gasket)</b>                        |              |         |            |                                                                                                         |                                                                                                                              |
|  | CM 17/16-3T  | 7720123 | 106x187    | <br>6 418074 056818  | Cover, PC<br>Smoked transparent                                                                                              |
|                                                                                     | CM 21/18-3T  | 7720122 | 125x233    | <br>6 418074 056825 | Cover, PC<br>Smoked transparent                                                                                              |
|                                                                                     | CM 25/22-3T  | 7720134 | 157x279    | <br>6 418074 059314 | Cover, PC<br>Smoked transparent                                                                                              |
|                                                                                     | CM 30/25-3T  | 7720094 | 196x318    | <br>6 418074 056832 | Cover, PC<br>Smoked transparent                                                                                              |
|                                                                                     | CM 36/31-3T  | 7720113 | 233x386    | <br>6 418074 056849 | Cover, PC<br>Smoked transparent                                                                                              |

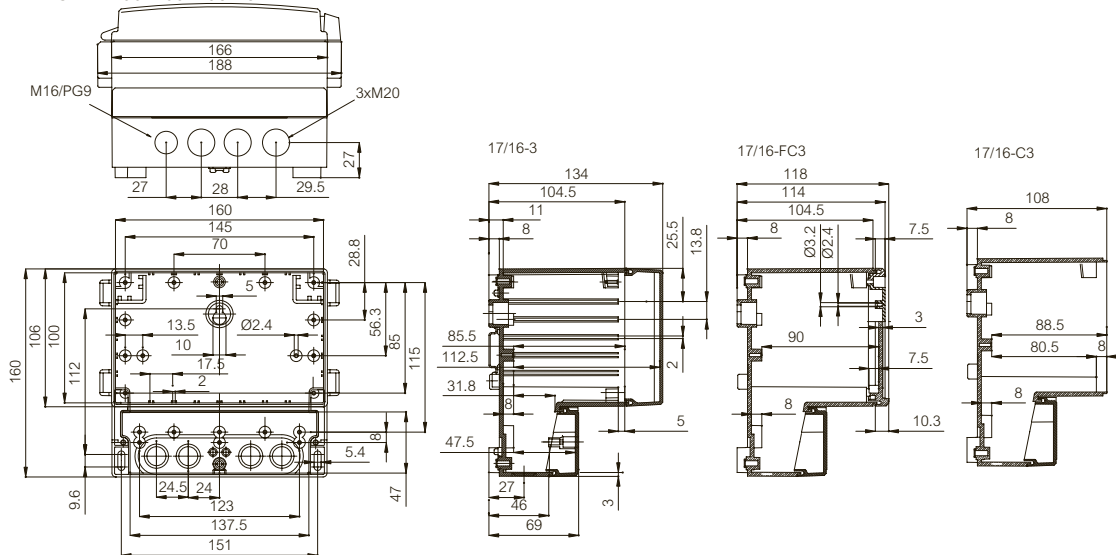
|                                                                                     | Order symbol      | Code    | Dimensions | EAN code                                                                                                | Description                                               |
|-------------------------------------------------------------------------------------|-------------------|---------|------------|---------------------------------------------------------------------------------------------------------|-----------------------------------------------------------|
| <b>Clear transparent covers (Polycarbonate, PUR Gasket)</b>                         |                   |         |            |                                                                                                         |                                                           |
|    | CM 17/16-3TT      | 7720223 | 106x187    | <br>6 418074 061973   | Cover, PC<br>Clear transparent                            |
|                                                                                     | CM 21/18-3TT      | 7720222 | 125x233    | <br>6 418074 061966   | Cover, PC<br>Clear transparent                            |
|                                                                                     | CM 25/22-3TT      | 7720234 | 157x279    | <br>6 418074 061980   | Cover, PC<br>Clear transparent                            |
|                                                                                     | CM 30/25-3TT      | 7720294 | 196x318    | <br>6 418074 061997   | Cover, PC<br>Clear transparent                            |
|                                                                                     | CM 36/31-3TT      | 7720213 | 233x386    | <br>6 418074 062000   | Cover, PC<br>Clear transparent                            |
| <b>Hinges and wall mounting</b>                                                     |                   |         |            |                                                                                                         |                                                           |
|  | SET 17/16-21/18-3 | 7720417 |            | <br>6 418074 056856 | Set of hinges and latches                                 |
|                                                                                     | SET 25/22-3       | 7720424 |            | <br>6 418074 059321 | Set of hinges and latches                                 |
|                                                                                     | SET 30/25-3       | 7720418 |            | <br>6 418074 056863 | Set of hinges and latches                                 |
|                                                                                     | SET 36/31-3       | 7720419 |            | <br>6 418074 056870 | Set of hinges and latches                                 |
|                                                                                     | FP 10674          | 5510674 |            | <br>6 418074 033079 | Wall fastening lug (2 pcs)<br>incl. screws                |
| <b>Mounting screws and other accessories</b>                                        |                   |         |            |                                                                                                         |                                                           |
|  | SET CM PLATE      | 7720566 |            | <br>6 418074 062468 | Screw set<br>incl. 8 mounting screws and 2 locking screws |
|                                                                                     | SET CM FRAME      | 7720150 |            | <br>6 418074 062475 | Screw set                                                 |
|                                                                                     | MB 20064 SET      | 7720464 |            | <br>6 418074 036346 | Fastening lug set for DIN rail                            |



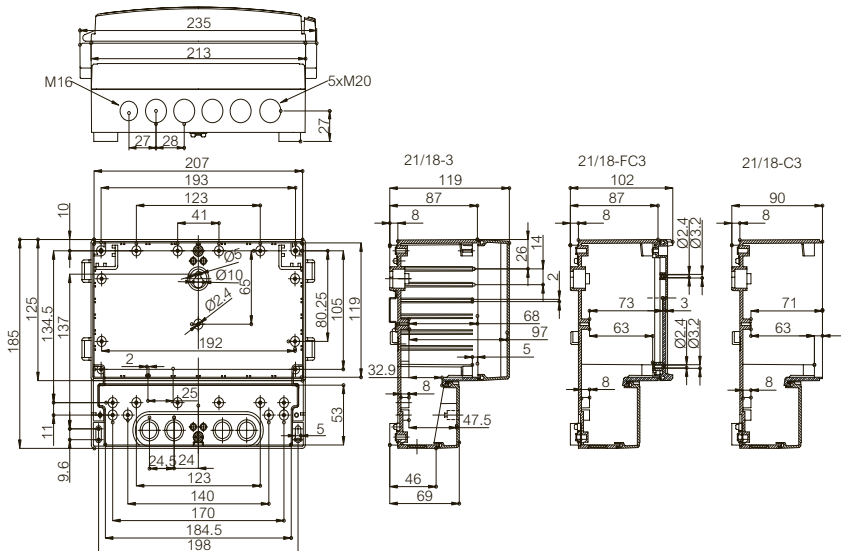
CARDMASTER 166x160x80-106



CARDMASTER 166x160x108-134

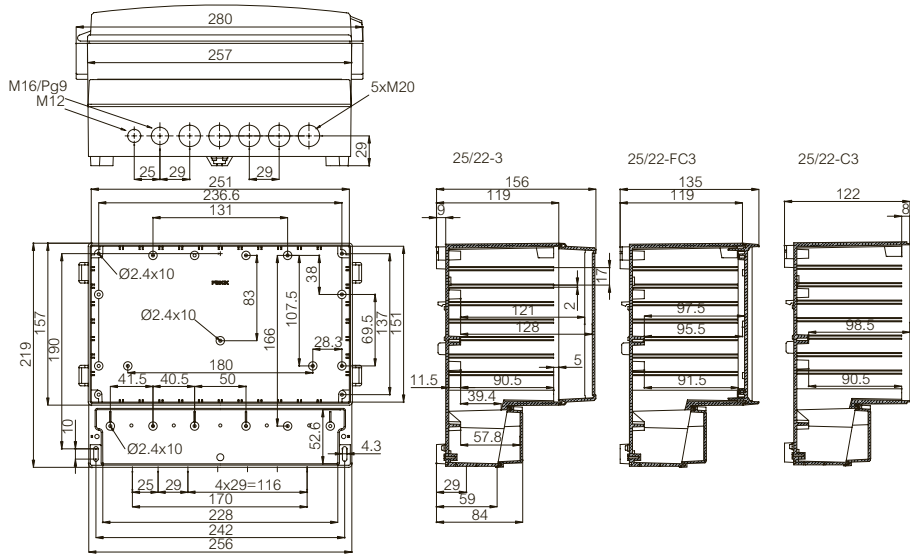


CARDMASTER 213x185x90-119

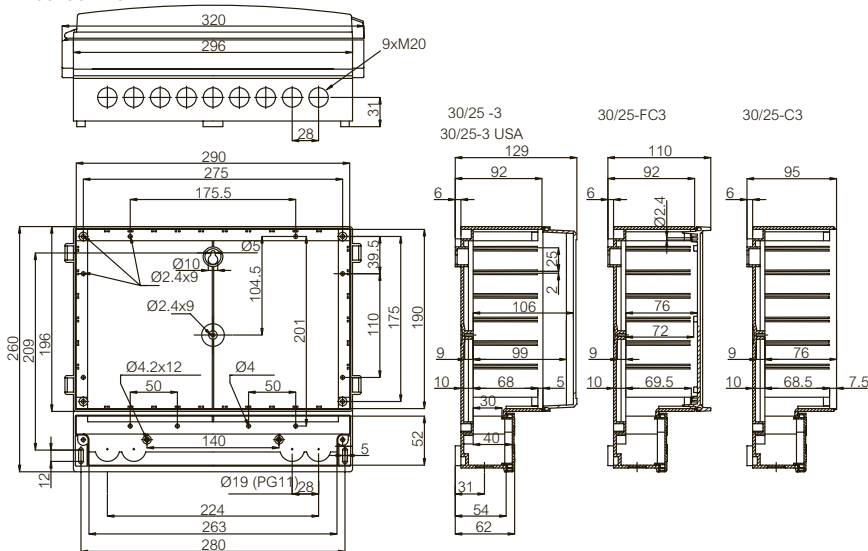


## Dimensional drawings

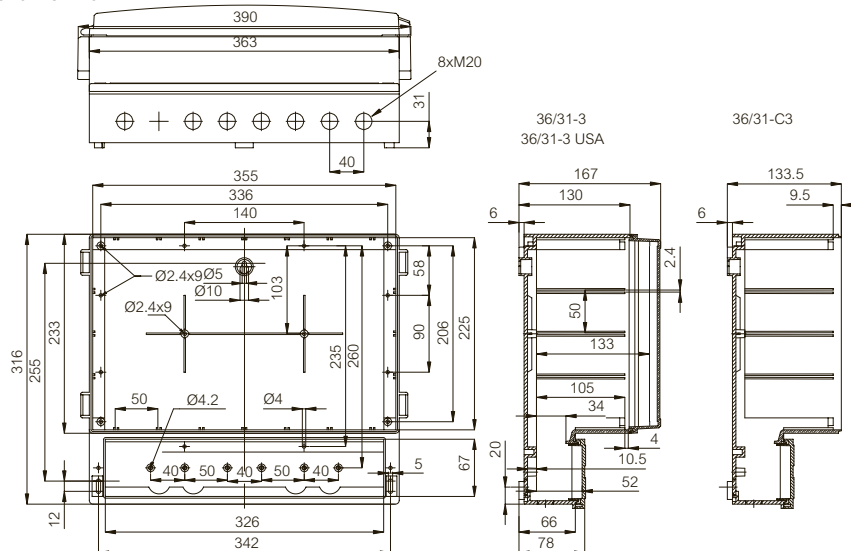
CARDMASTER 257x219x122-156



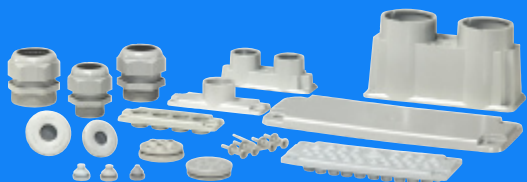
CARDMASTER 314x260x95-129



CARDMASTER 383x316x134-167



# Cable management



FIBOX offers a huge range of accessories for connecting cables to equipment. These cable solutions meet internationally recognised safety and protection standards.



Wide selection  
of plastic and  
membrane gland plates



















Wide selection  
of plastic and  
membrane gland



Variety of cable  
entries and cable  
entry boxes

# CABLE MANAGEMENT

|                                                                                                           | Order symbol | Code    | Dimensions | EAN code                                                                                                | Description                                      |
|-----------------------------------------------------------------------------------------------------------|--------------|---------|------------|---------------------------------------------------------------------------------------------------------|--------------------------------------------------|
| <b>COVER PLATES</b>                                                                                       |              |         |            |                                                                                                         |                                                  |
| <b>Polycarbonate (PC), IP 66 (EN 60529), Grey RAL 7035, Flame resistance UL 94-V1</b>                     |              |         |            |                                                                                                         |                                                  |
|                          | MB 10215     | 3530215 | 49x140     | <br>6 418074 030269   | Cover plate size 1                               |
|                                                                                                           | MB 10546     | 3530546 | 85x216     | <br>6 418074 030320   | Cover plate size 2                               |
|                                                                                                           | MB 10324     | 3530324 | 127x332    | <br>6 418074 030276   | Cover plate size 3                               |
| <b>METRIC FLANGE PLATES</b>                                                                               |              |         |            |                                                                                                         |                                                  |
| <b>Cable gland plates, Polycarbonate (PC), IP 65 (EN 60529), Grey RAL 7035, Flame resistance UL 94-V1</b> |              |         |            |                                                                                                         |                                                  |
|                         | MB 10892     | 3530892 | 49x140     | <br>6 418074 052469  | Size 1<br>4xM20                                  |
|                                                                                                           | MB 10537     | 3530537 | 49x140     | <br>6 418074 030306 | Size 1<br>1xM40                                  |
|                                                                                                           | MB 10892 SET | 3590892 |            | <br>6 418074 056665 | Size 1<br>incl. flange, gasket and connector set |
|                                                                                                           | MB 10891     | 3530891 | 85x216     | <br>6 418074 052476 | Size 2<br>12xM20                                 |
|                                                                                                           | MB 10860     | 3530860 | 85x216     | <br>6 418074 052124 | Size 2<br>5xM25+6xM20 PUR gasket                 |
|                                                                                                           | MB 10861     | 3530861 | 85x216     | <br>6 418074 052131 | Size 2<br>2xM50+4xM20, PUR gasket                |
|                                                                                                           | MB 10862     | 3530862 | 85x216     | <br>6 418074 052148 | Size 2<br>2xM16+3xM20+2xM25+2xM32, PUR gasket    |
|                                                                                                           | MB 10891 SET | 3590891 |            | <br>6 418074 056658 | Size 2<br>incl. flange, gasket and connector set |
|                                                                                                           | MB 10860 SET | 3590860 |            | <br>6 418074 052421 | Size 2<br>incl. flange, gasket and connector set |
|                                                                                                           | MB 10861 SET | 3590861 |            | <br>6 418074 052438 | Size 2<br>incl. flange, gasket and connector set |
|                                                                                                           | MB 10862 SET | 3590862 |            | <br>6 418074 052445 | Size 2<br>incl. flange, gasket and connector set |




|                                                                                                           | Order symbol | Code    | Dimensions | EAN code                                                                                             | Description                                      |
|-----------------------------------------------------------------------------------------------------------|--------------|---------|------------|------------------------------------------------------------------------------------------------------|--------------------------------------------------|
| <b>Knock-out plates, Polycarbonate (PC), IP 65 (EN 60529), Grey RAL 7035, Flame resistance UL 94-V1</b>   |              |         |            |                                                                                                      |                                                  |
|                          | MB 10857     | 3530857 | 85x216     |  6 418074 033017   | Size 2<br>4xM12+4xM12/M20+4xM16/M25              |
|                                                                                                           | MB 10889     | 3530889 | 85x216     |  6 418074 051769   | Size 2<br>8xM20+5xM25/M16                        |
|                                                                                                           | MB 10890     | 3530890 | 85x216     |  6 418074 051752   | Size 2<br>2xM32/M20+2xM40/M25                    |
|                                                                                                           | MB 10857 SET | 3590857 |            |  6 418074 051776   | Size 2<br>incl. flange, gasket and connector set |
|                                                                                                           | MB 10889 SET | 3590889 |            |  6 418074 051783   | Size 2<br>incl. flange, gasket and connector set |
|                                                                                                           | MB 10890 SET | 3590890 |            |  6 418074 051790 | Size 2<br>incl. flange, gasket and connector set |
| <b>PG FLANGE PLATES</b>                                                                                   |              |         |            |                                                                                                      |                                                  |
| <b>Cable gland plates, Polycarbonate (PC), IP 66 (EN 60529), Grey RAL 7035, Flame resistance UL 94-V1</b> |              |         |            |                                                                                                      |                                                  |
|                        | MB 10151     | 3530151 | 49x140     |  6 418074 030245 | Size 1<br>4x PG13.5                              |
|                                                                                                           | MB 10149     | 3530149 | 49x140     |  6 418074 030238 | Size 1<br>4x PG16                                |
|                                                                                                           | MB 10214     | 3530214 | 49x140     |  6 418074 030252 | Size 1<br>3x PG21                                |
|                                                                                                           | MB 10014     | 3530014 | 85x216     |  6 418074 030184 | Size 2<br>12x PG16                               |
|                                                                                                           | MB 10015     | 3530015 | 85x216     |  6 418074 030191 | Size 2<br>12x PG13.5                             |
|                                                                                                           | MB 10016     | 3530016 | 85x216     |  6 418074 030207 | Size 2<br>6x PG16+4x PG21                        |
|                                                                                                           | MB 10017     | 3530017 | 85x216     |  6 418074 030214 | Size 2<br>4x PG16+3x PG29                        |
|                                                                                                           | MB 10019     | 3530019 | 85x216     |  6 418074 030221 | Size 2<br>4x PG16+2x PG36                        |

# CABLE MANAGEMENT











|                                                                                                                                   | Order symbol | Code    | Dimensions | EAN code                                                                                             | Description                                                          |
|-----------------------------------------------------------------------------------------------------------------------------------|--------------|---------|------------|------------------------------------------------------------------------------------------------------|----------------------------------------------------------------------|
| <b>Knock-out plates, Polycarbonate (PC), IP 66 (EN 60529), Grey RAL 7035, Flame resistance UL 94-V1</b>                           |              |         |            |                                                                                                      |                                                                      |
|                                                  | MB 10593     | 3530593 | 85x216     |  6 418074 030337   | Size 2<br>9x PG11+5x PG9/16                                          |
|                                                                                                                                   | MB 10594     | 3530594 | 85x216     |  6 418074 030344   | Size 2<br>4x PG21/29                                                 |
|                                                                                                                                   | MB 10595     | 3530595 | 85x216     |  6 418074 030351   | Size 2<br>13x PG16                                                   |
|                                                                                                                                   | MB 10596     | 3530596 | 85x216     |  6 418074 030368   | Size 2<br>4x PG11/21+7x PG16                                         |
| <b>MEMBRANE FLANGE PLATES</b>                                                                                                     |              |         |            |                                                                                                      |                                                                      |
| <b>TPE (Thermo Plastic Elastomer), IP 65 (EN 60529), Flame resistance UL 94HB, Grey RAL 7035, Temperature range -40°...+120°C</b> |              |         |            |                                                                                                      |                                                                      |
|                                                | FMB 5F       | 3550794 | 49x140     |  6 418074 056511 | Size 1, Lead-through 8<br>(Ø2.5-25mm)<br>Optional RJ-45 lead-through |
|                                                                                                                                   | FMC 3F       | 3550795 | 85x217     |  6 418074 056528 | Size 2, Lead-through 7<br>(Ø3-55mm)                                  |
|                                                                                                                                   | FMC 25F      | 3550796 | 85x217     |  6 418074 056535 | Size 2, Lead-through 29<br>(Ø3-26mm)<br>Optional RJ-45 lead-through  |
|                                                                                                                                   | FMC 35F      | 3550797 | 85x217     |  6 418074 056542 | Size 2, Lead-through 43<br>(Ø3-30mm)<br>Optional RJ-45 lead-through  |
| <b>Set includes: Flange and MB 10670/10671 plate connectors with screws</b>                                                       |              |         |            |                                                                                                      |                                                                      |
|                                                | FMB 5F-SET   | 3590794 |            |  6 418074 057952 | Flange set, Size 1                                                   |
|                                                                                                                                   | FMC 3F-SET   | 3590795 |            |  6 418074 057969 | Flange set, Size 2                                                   |
|                                                                                                                                   | FMC 25F-SET  | 3590796 |            |  6 418074 057976 | Flange set, Size 2                                                   |
|                                                                                                                                   | FMC 35F-SET  | 3590797 |            |  6 418074 057983 | Flange set, Size 2                                                   |

|                                                                                                                    | Order symbol | Code    | Dimensions | EAN code                                                                                                | Description                                                                 |
|--------------------------------------------------------------------------------------------------------------------|--------------|---------|------------|---------------------------------------------------------------------------------------------------------|-----------------------------------------------------------------------------|
| <b>Set includes: flange and quick connectors (4 + 4 plugs) for plastic enclosures and for sheet steel cabinets</b> |              |         |            |                                                                                                         |                                                                             |
|                                   | FMC 3FQ-SET  | 3570795 |            | <br>6 418074 062574   | Flange set, Size 2                                                          |
|                                                                                                                    | FMC 25FQ-SET | 3570796 |            | <br>6 418074 062581   | Flange set, Size 2                                                          |
|                                                                                                                    | FMC 35FQ-SET | 3570797 |            | <br>6 418074 062598   | Flange set, Size 2                                                          |
| <b>PLATE CONNECTORS AND GASKETS</b>                                                                                |              |         |            |                                                                                                         |                                                                             |
| <b>Plate connector sets</b>                                                                                        |              |         |            |                                                                                                         |                                                                             |
|                                  | MB 10671     | 3570671 |            | <br>6 418074 030795   | Connector set, size 1<br>incl. 4 screws                                     |
|                                                                                                                    | MB 10670     | 3570670 |            | <br>6 418074 030788 | Connector set, size 2<br>incl. 4 screws                                     |
|                                                                                                                    | MB 10672     | 3570672 |            | <br>6 418074 030801 | Connector set, size 3<br>incl. 4 screws                                     |
|                                                                                                                    | EKZA 7       | 3770472 |            | <br>6 418074 031822 | Plastic screw, lock nut, flange gasket<br>size 1                            |
|                                                                                                                    | EKZA 8       | 3770474 |            | <br>6 418074 031839 | Plastic screw, lock nut, flange gasket<br>size 2                            |
|                                                                                                                    | EKZA 9       | 3770347 |            | <br>6 418074 031815 | Plastic screw, lock nut, flange gasket<br>size 3                            |
|                                                                                                                    | QlockP-SET   | 3534903 |            | <br>6 418074 062604 | Push-in connector set                                                       |
|                                                                                                                    | QlockM-SET   | 3544903 |            | <br>6 418074 062611 | Push-in connector set of membrane<br>flange plates for sheet steel cabinets |

# CABLE MANAGEMENT

|                                                                                     | Order symbol | Code    | Dimensions | EAN code                                                                                                | Description                                   |
|-------------------------------------------------------------------------------------|--------------|---------|------------|---------------------------------------------------------------------------------------------------------|-----------------------------------------------|
| <b>Gaskets (EPDM Rubber)</b>                                                        |              |         |            |                                                                                                         |                                               |
|    | MK 10437     | 3510437 |            | <br>6 418074 030078   | Flange gasket size 1                          |
|                                                                                     | MK 10438     | 3510438 |            | <br>6 418074 030085   | Flange gasket size 2                          |
|                                                                                     | MK 10439     | 3510439 |            | <br>6 418074 030092   | Flange gasket size 3                          |
|                                                                                     | MK 10440     | 3510440 |            | <br>6 418074 040619   | Flange gasket, size 1                         |
|                                                                                     | MK 10441     | 3510441 |            | <br>6 418074 040626   | Flange gasket, size 2                         |
| <b>Plastic head screws</b>                                                          |              |         |            |                                                                                                         |                                               |
|  | MB 10345     | 3570345 |            | <br>6 418074 031198 | Plastic head screw (M6x25) for size 1 flange  |
|                                                                                     | MB 10346     | 3570346 |            | <br>6 418074 031204 | Plastic head screw (M8x25) for size 2 flange  |
|                                                                                     | MB 10347     | 3570347 |            | <br>6 418074 031211 | Plastic head screw (M10x30) for size 3 flange |
| <b>Lock nuts</b>                                                                    |              |         |            |                                                                                                         |                                               |
|                                                                                     | M-6          | 3570576 |            | <br>6 418074 031495 | Lock nut for plastic head screws M6           |
|                                                                                     | M-8          | 3570577 |            | <br>6 418074 031389 | Lock nut for plastic head screws M8           |
|                                                                                     | M-10         | 3570578 |            | <br>6 418074 031396 | Lock nut for plastic head screws M10          |



|                                                                                    | Order symbol | Code    | Dimensions | EAN code                                                                                                | Description                                                  |
|------------------------------------------------------------------------------------|--------------|---------|------------|---------------------------------------------------------------------------------------------------------|--------------------------------------------------------------|
| <b>Plate extension</b>                                                             |              |         |            |                                                                                                         |                                                              |
|   | MB 10391     | 3530391 |            | <br>6 418074 030283   | Extension flange (height 25 mm)<br>Mounting with 4x MB 10392 |
|                                                                                    | MB 10392     | 3570392 |            | <br>6 418074 031228   | Plastic head screw, size M8x50                               |
| <b>CABLE ENTRIES AND BOXES</b>                                                     |              |         |            |                                                                                                         |                                                              |
| <b>Cable entries</b>                                                               |              |         |            |                                                                                                         |                                                              |
|  | EPA 1130     | 3550385 |            | <br>6 418074 031037   | Cable entry, size 1<br>1 cable, 1x10-31mm                    |
|                                                                                    | EPA 1230     | 3550386 |            | <br>6 418074 034816  | Cable entry, size 1<br>2 cable, 2x10-31mm                    |
|                                                                                    | EPA 2160     | 3550387 |            | <br>6 418074 031044 | Cable entry, size 2<br>1 cable, 1x28-60mm                    |
|                                                                                    | EPA 2260     | 3550388 |            | <br>6 418074 031068 | Cable entry, size 2<br>2 cables, 2x28-60mm                   |
|                                                                                    | EPA 1130 SET | 3550055 |            | <br>6 418074 033130 | Cable entry set                                              |
|                                                                                    | EPA 1230 SET | 3550049 |            | <br>6 418074 033154 | Cable entry set                                              |
|                                                                                    | EPA 2160 SET | 3550056 |            | <br>6 418074 033147 | Cable entry set                                              |
|                                                                                    | EPA 2260 SET | 3550052 |            | <br>6 418074 033161 | Cable entry set                                              |
|                                                                                    | HIBOX 16     | 4712221 |            | <br>6 418074 040985 | Cable entry<br>with cable gasket                             |
|                                                                                    | DSHIBOX 26   | 4712223 |            | <br>6 418074 041005 | Cable entry<br>with two cable gasket                         |

# CABLE MANAGEMENT

|                                                                                   | Order symbol | Code    | Dimensions | EAN code                                                                                                | Description                                                    |
|-----------------------------------------------------------------------------------|--------------|---------|------------|---------------------------------------------------------------------------------------------------------|----------------------------------------------------------------|
| <b>Cable entry boxes</b>                                                          |              |         |            |                                                                                                         |                                                                |
|  | MB 2260      | 3730260 |            | <br>6 418074 031648   | Including: base, cover, cover screws, 1 blind plug, 1 pull-off |
|                                                                                   | MB 2260A     | 3730261 |            | <br>6 418074 031655   | Cable entry accessory set                                      |
|                                                                                   | EPA-OE       | 3530700 | 280x280    | <br>6 418074 030443   | Cable entry box                                                |
|                                                                                   | EPA-PL       | 3530702 | 280x380    | <br>6 418074 030450   | Cable entry box                                                |
| <b>Other Accessories</b>                                                          |              |         |            |                                                                                                         |                                                                |
|                                                                                   | MK 10426     | 3510426 |            | <br>6 418074 030047  | Rubber cushion for cable<br>Ø 10-31 mm, size 1                 |
|                                                                                   | MK 10428     | 3510428 |            | <br>6 418074 030061 | Rubber cushion for cable<br>Ø 28-60 mm, size 2                 |
|                                                                                   | MK 10704     | 3510704 |            | <br>6 418074 030122 | Membrane cable gland for EPA-OE<br>and EPA-PL enclosures       |
|                                                                                   | MB 10717     | 3530717 |            | <br>6 418074 030481 | Connection bridge and gasket<br>Size 2                         |
|                                                                                   | MB 10718     | 3530718 |            | <br>6 418074 030498 | Connection bridge and gasket<br>Size 3                         |
|                                                                                   | MK 12198     | 4512198 |            | <br>6 418074 032508 | Cable entry gasket for MB 2260,<br>F2/12102 and F3/12101       |
|                                                                                   | MR 12198     | 3512198 |            | <br>6 418074 032140 | Hose clamp for MK 12198                                        |

|                                                                                     | Order symbol | Code    | Dimensions | EAN code                                                                                                | Description                                                                     |
|-------------------------------------------------------------------------------------|--------------|---------|------------|---------------------------------------------------------------------------------------------------------|---------------------------------------------------------------------------------|
| <b>POLYAMIDE CABLE GLANDS</b>                                                       |              |         |            |                                                                                                         |                                                                                 |
| <b>Standard connecting threads, Grey RAL 7035, Temperature range -20°...+80°C</b>   |              |         |            |                                                                                                         |                                                                                 |
|    | GPAB M12     | 7017400 |            | <br>6 418074 043474   | Cable gland polyamide M12x1,5<br>IP 68<br>for cable 3,0-6,5 mm, tool size 15    |
|                                                                                     | GPAB M16     | 7017401 |            | <br>6 418074 043481   | Cable gland polyamide M16x1,5<br>IP 68<br>for cable 5,0-10,0 mm, tool size 22   |
|                                                                                     | GPAB M20S    | 7017402 |            | <br>6 418074 043498   | Cable gland polyamide M20x1,5<br>IP 68<br>for cable 6,0-12,00 mm, tool size 24  |
|                                                                                     | GPAB M20     | 7017709 |            | <br>6 418074 045683   | Cable gland polyamide M20x1,5<br>IP 68<br>for cable 10,0-14,00 mm, tool size 27 |
|                                                                                     | GPAB M25     | 7017711 |            | <br>6 418074 045706  | Cable gland polyamide M25x1,5<br>IP 68<br>for cable 13-18 mm, tool size 33      |
|                                                                                     | GPAB M32     | 7017713 |            | <br>6 418074 045720 | Cable gland polyamide M32x1,5<br>IP 68<br>for cable 18-25 mm, tool size 42      |
|                                                                                     | GPAB M40     | 7017714 |            | <br>6 418074 045737 | Cable gland polyamide M40x1,5<br>IP 68<br>or cable 22-32 mm, tool size 53       |
|                                                                                     | GPAB M50     | 7017100 |            | <br>6 418074 070555 | Cable gland polyamide M50x1,5<br>IP 68<br>for cable 30-38 mm, tool size 60      |
|                                                                                     | GPAB M63     | 7017101 |            | <br>6 418074 070562 | Cable gland polyamide M63x1,5<br>IP 68<br>for cable 34-44 mm, tool size 65      |
| <b>Long connecting threads, Grey RAL 7035, Temperature range -20°...+80°C</b>       |              |         |            |                                                                                                         |                                                                                 |
|  | GPAB M16L    | 7017534 |            | <br>6 418074 044730 | Cable gland polyamide M16x1,5<br>IP 68<br>for cable 5,0-10,0 mm, tool size 22   |
|                                                                                     | GPAB M20L    | 7017710 |            | <br>6 418074 045690 | Cable gland polyamide M20x1,5<br>IP 68<br>for cable 6,0-12,00 mm, tool size 24  |
|                                                                                     | GPAB M20SL   | 7017535 |            | <br>6 418074 044747 | Cable gland polyamide M20x1,5<br>IP 68<br>for cable 6,0-12,0 mm, tool size 24   |
|                                                                                     | GPAB M25L    | 7017712 |            | <br>6 418074 045713 | Cable gland polyamide M25x1,5<br>IP 68<br>for cable 13-18 mm, tool size 33      |

# CABLE MANAGEMENT

|                                                                                     | Order symbol | Code    | Dimensions | EAN code                                                                                                | Description                                                               |
|-------------------------------------------------------------------------------------|--------------|---------|------------|---------------------------------------------------------------------------------------------------------|---------------------------------------------------------------------------|
| <b>Lock nuts for cable glands, Grey RAL 7035</b>                                    |              |         |            |                                                                                                         |                                                                           |
|    | GPAB M12BF   | 7017122 |            | <br>6 418074 074270   | Lock nut polyamide M12x1,5<br>tool size 18 h=5mm                          |
|                                                                                     | GPAB M16BF   | 7017123 |            | <br>6 418074 074287   | Lock nut polyamide M16x1,5<br>tool size 22 h=5mm                          |
|                                                                                     | GPAB M20BF   | 7017124 |            | <br>6 418074 074294   | Lock nut polyamide M20x1,5<br>tool size 26 h=6mm                          |
|                                                                                     | GPAB M25BF   | 7017125 |            | <br>6 418074 074300   | Lock nut polyamide M25x1,5<br>tool size 32 h=6mm                          |
|                                                                                     | GPAB M32BF   | 7017126 |            | <br>6 418074 074317   | Lock nut polyamide M32x1,5<br>tool size 41 h=7mm                          |
|                                                                                     | GPAB M40BF   | 7017127 |            | <br>6 418074 074324  | Lock nut polyamide M40x1,5<br>tool size 50 h=7mm                          |
|                                                                                     | GPAB M50BF   | 7017128 |            | <br>6 418074 074331 | Lock nut polyamide M50x1,5<br>tool size 60 h=8mm                          |
|                                                                                     | GPAB M63BF   | 7017129 |            | <br>6 418074 074348 | Lock nut polyamide M63x1,5<br>tool size 75 h=8mm                          |
| <b>BRASS CABLE GLANDS</b>                                                           |              |         |            |                                                                                                         |                                                                           |
| <b>Standard connecting threads, Temperature range -20°...+100°C</b>                 |              |         |            |                                                                                                         |                                                                           |
|  | GMSB M12     | 7017312 |            | <br>6 418074 043399 | Cable gland metal M12x1,5 IP 68<br>for cable 3-6,5 mm, tool size 14/14    |
|                                                                                     | GMSB M16     | 7017315 |            | <br>6 418074 043405 | Cable gland metal M16x1,5 IP 68<br>for cable 4-8 mm, tool size 18/17      |
|                                                                                     | GMSB M20     | 7017320 |            | <br>6 418074 043412 | Cable gland metal M20x1,5 IP 68<br>for cable 6-12 mm, tool size 22/22     |
|                                                                                     | GMSB M25     | 7017325 |            | <br>6 418074 043429 | Cable gland metal M25x1,5 IP 68<br>for cable 10-14 mm,<br>tool size 27/24 |
|                                                                                     | GMSB M32     | 7017332 |            | <br>6 418074 043436 | Cable gland metal M32x1,5 IP 68<br>for cable 13-18 mm,<br>tool size 34/30 |
|                                                                                     | GMSB M40     | 7017340 |            | <br>6 418074 043443 | Cable gland metal M40x1,5 IP 68<br>for cable 18-25 mm,<br>tool size 43/40 |

|                                                                                   | Order symbol | Code    | Dimensions | EAN code                                                                                                | Description                                                         |
|-----------------------------------------------------------------------------------|--------------|---------|------------|---------------------------------------------------------------------------------------------------------|---------------------------------------------------------------------|
|                                                                                   | GMSB M50     | 7017350 |            | <br>6 418074 043450   | Cable gland metal M50x1,5 IP 68 for cable 22-32 mm, tool size 55/50 |
|                                                                                   | GMSB M63     | 7017360 |            | <br>6 418074 043467   | Cable gland metal M63x1,5 IP 68 for cable 34-44 mm, tool size 68/64 |
| <b>Lock nuts for cable glands, Brass</b>                                          |              |         |            |                                                                                                         |                                                                     |
|  | GMSB M12-B   | 7017303 |            | <br>6 418074 043306   | Lock nut metal M12x1,5 tool size 15 h=2,8mm                         |
|                                                                                   | GMSB M16-B   | 7017304 |            | <br>6 418074 043313   | Lock nut metal M16x1,5 tool size 19 h=3,0mm                         |
|                                                                                   | GMSB M20-B   | 7017305 |            | <br>6 418074 043320   | Lock nut metal M20x1,5 tool size 24 h=3,5mm                         |
|                                                                                   | GMSB M25-B   | 7017306 |            | <br>6 418074 043337  | Lock nut metal M25x1,5 tool size 30 h=4,0mm                         |
|                                                                                   | GMSB M32-B   | 7017307 |            | <br>6 418074 043344 | Lock nut metal M32x1,5 tool size 36 h=5,0mm                         |
|                                                                                   | GMSB M40-B   | 7017308 |            | <br>6 418074 043351 | Lock nut metal M40x1,5 tool size 46 h=5,0mm                         |
|                                                                                   | GMSB M50-B   | 7017309 |            | <br>6 418074 043368 | Lock nut metal M50x1,5 tool size 60 h=5,0mm                         |
|                                                                                   | GMSB M63-B   | 7017311 |            | <br>6 418074 043382 | Lock nut metal M63x1,5 tool size 70 h=6,0mm                         |

# CABLE MANAGEMENT

|                                                                                                                                                                   | Order symbol        | Code    | Dimensions                                                                                              | EAN code                                                                                                | Description                                  |
|-------------------------------------------------------------------------------------------------------------------------------------------------------------------|---------------------|---------|---------------------------------------------------------------------------------------------------------|---------------------------------------------------------------------------------------------------------|----------------------------------------------|
| <b>MEMBRANE CABLE GLANDS</b>                                                                                                                                      |                     |         |                                                                                                         |                                                                                                         |                                              |
| <b>EPDM Rubber, RAL 7035 Grey, IP 66/IP 67 (EN 60529:1991+ A1:2000), Flame resistance UL 94-HB, Wall thickness (C) 1,5 -5 mm, Temperature range -40°...+120°C</b> |                     |         |                                                                                                         |                                                                                                         |                                              |
|                                                                                  | FEM 4-7 New         | 3545078 |                                                                                                         | <br>6 418074 035417   | EPDM Cable gland M12 for cable 4-7 mm        |
|                                                                                                                                                                   | FEM 5-9 New         | 3545079 |                                                                                                         | <br>6 418074 035424   | EPDM Cable gland M16 for cable 5-9 mm        |
|                                                                                                                                                                   | FEM 8-13 New        | 3545080 |                                                                                                         | <br>6 418074 035448   | EPDM Cable gland M20 for cable 8-13 mm       |
|                                                                                                                                                                   | FEM 10-14/PG 16 New | 3545081 |                                                                                                         | <br>6 418074 035455   | EPDM Cable gland M23/PG16 for cable 10-14 mm |
|                                                                                                                                                                   | FEM 11-17 New       | 3545082 |                                                                                                         | <br>6 418074 035462   | EPDM Cable gland M25 for cable 11-17 mm      |
|                                                                                                                                                                   | FEM 15-20 New       | 3545083 |                                                                                                         | <br>6 418074 035479 | EPDM Cable gland M32 for cable 15-20 mm      |
|                                                                                                                                                                   | FEM 19-28 New       | 3545084 |                                                                                                         | <br>6 418074 035486 | EPDM Cable gland M40 for cable 19-28 mm      |
|                                                                                                                                                                   | FEM 27-35 New       | 3545085 |                                                                                                         | <br>6 418074 035530 | EPDM Cable gland M50 for cable 27-35 mm      |
|                                                                                                                                                                   | FEM 30-45           | 3545086 |                                                                                                         | <br>6 418074 035547 | EPDM Cable gland M60 for cable 30-45 mm      |
| MFM 8-12                                                                                                                                                          | 3546151             |         | <br>6 418074 036803 | EPDM Multi-Fem M50 for cable 3x6-10 mm, 3x10-14 mm                                                      |                                              |

## General accessories



Even the best enclosure may need a little extra, to be of maximum value in its chosen environment. Among many other benefits, our huge range of accessories will allow your components to be seen, ventilated or withstand pressure differences.



Inspection windows



Ventilation devices



Fibox accessories  
can be fitted to  
most enclosures and  
cabinets

# GENERAL ACCESSORIES

|                                                                                     | Order symbol | Code    | Dimensions | EAN code                                                                                             | Description                                       |
|-------------------------------------------------------------------------------------|--------------|---------|------------|------------------------------------------------------------------------------------------------------|---------------------------------------------------|
| <b>INSPECTION WINDOWS</b>                                                           |              |         |            |                                                                                                      |                                                   |
| <b>Polycarbonate (PC), IP 54</b>                                                    |              |         |            |                                                                                                      |                                                   |
|    | L 02         | 3730660 | 77x60      |  6 418074 031693   | Window for 2 modules<br>Clear cover               |
|                                                                                     | L 04         | 3730661 | 77x96      |  6 418074 035493   | Window for 4 modules<br>Clear cover               |
|                                                                                     | L 06         | 3730662 | 77x130     |  6 418074 035509   | Window for 6 modules<br>Clear cover               |
|                                                                                     | L 08         | 3730663 | 77x162     |  6 418074 035516   | Window for 8 modules<br>Clear cover               |
|                                                                                     | L 10         | 3730664 | 77x199     |  6 418074 035523   | Window for 10 modules<br>Clear cover              |
| <b>Polycarbonate (PC), IP 65</b>                                                    |              |         |            |                                                                                                      |                                                   |
|  | L 12 II      | 3730775 | 128x248    |  6 418074 036841 | Window for 12 modules<br>Smoked transparent cover |
|                                                                                     | L 13         | 3730692 | 108x257    |  6 418074 031686 | Window for 13 modules<br>Clear cover              |
|                                                                                     | L 24 II      | 3730776 | 218x248    |  6 418074 036858 | Window for 24 modules<br>Smoked transparent cover |
|                                                                                     | L 43 II      | 4512298 | 277x331    |  6 418074 035110 | Window for 26 modules<br>Smoked transparent cover |
|                                                                                     | L 44 II      | 4512299 | 331x377    |  6 418074 035127 | Window for 36 modules<br>Smoked transparent cover |
| <b>Front plates for windows L 12 II and L 24 II</b>                                 |              |         |            |                                                                                                      |                                                   |
|  | B12 10621-45 | 3730621 |            |  6 418074 032041 | Front plate for window 12 modules                 |
|                                                                                     | B24 10620-45 | 3730620 |            |  6 418074 032034 | Front plate for window 2x12 modules               |



# GENERAL ACCESSORIES

|                                                                                   | Order symbol    | Code    | Dimensions | EAN code                                                                                                | Description                                                    |
|-----------------------------------------------------------------------------------|-----------------|---------|------------|---------------------------------------------------------------------------------------------------------|----------------------------------------------------------------|
| <b>VENTILATION DEVICES</b>                                                        |                 |         |            |                                                                                                         |                                                                |
| <b>Ventilation devices</b>                                                        |                 |         |            |                                                                                                         |                                                                |
|  | MB 10564 II     | 3541564 | 50x70      | <br>6 418074 031754   | Ventilation device IP 44<br>Gasketed, incl. screws             |
|                                                                                   | MB 10858 II     | 3540858 |            | <br>6 418074 031778   | Grille/filter holder<br>for MB 10564 II                        |
|                                                                                   | MB 10859 II     | 3540859 |            | <br>6 418074 031761   | Holder for fan<br>incl. screws                                 |
|                                                                                   | MB 10894<br>DAE | 3540894 |            | <br>6 418074 053572   | Pressure equalizer plug, IP 68<br>light grey, thread M12 x 1,5 |
|                                                                                   | MB 10631        | 3540631 |            | <br>6 418074 030764  | Ventilation device IP 33                                       |
|                                                                                   | MB 12189        | 4512189 |            | <br>6 418074 034649 | Draining plug IP 34                                            |



## FIBOX PRODUCT CATALOGUE

### 1 DISCLAIMER

The information included in this Product Catalogue ("Catalogue") is intended to be generic and the related illustrations are intended for illustration purposes. Any and all information is being provided for information purposes only and without responsibility, and Fibox Oy Ab or its affiliates makes no representations or warranties, either expressed or implied, as to the accuracy or completeness of the information, usability of a product or fitness of a product for a particular purpose.

Any and all information included in this Catalogue is subject to change without notice. While Fibox Oy Ab and its affiliates has endeavored to ensure the accuracy of the information contained in the Catalogue, it does not accept liability or responsibility for any inaccuracies.

### 2 SELLER'S TERMS AND CONDITIONS

The following terms and conditions cover all sales of products and rendering of services by Fibox Oy Ab and by any of its affiliates ("Seller") to Customer. These terms and conditions will supersede all previous communications, agreements or contracts, written or verbal, and no understanding, agreement, term, condition or trade custom at variance herewith will be binding on Seller. No waiver, amendment or modification of the terms and conditions hereof will be effective unless in writing and signed by an officer of Seller.

#### 2.1 INTELLECTUAL PROPERTY

All process information, drawings, specifications, instruction manuals, catalogs and other documents furnished by Seller to Customer for the products sold hereunder shall remain the property of Seller, or its affiliates, as the case may be, and are furnished subject to the condition that Customer use the same only for operation, maintenance and repair of the products and that Customer shall not at any time copy, duplicate, disclose or publish such information. The purchase or use of Seller's products by Customer will not be construed to grant Customer any right, license, sublicense, title or interest in or to any of Seller's or its affiliates' patents, trade names, trademarks, trade secrets, copyrights and other proprietary rights and information or other intellectual, proprietary or industrial property pertaining to the Seller or its products or affiliates, all of which are acknowledged by Customer to be the sole and exclusive property of the Seller or its affiliates, as the case may be.

#### 2.2 FIBOX LIMITED WARRANTY

Seller warrants to Customer that all products and services provided hereunder will be in accordance with specifications and substantially free from defects in material and workmanship under normal use and service for a period of one year from date of shipment. This warranty will not, however, apply to any product to the extent the same is, after delivery: (a) repaired or altered outside of Seller's or manufacturer's factory; or (b) subject to misuse, neglect, accident or improper storage, installation, assembly, repair or handling; (c) put to other than normal use or service; or (d) used, maintained, installed, assembled, stored, handled or repaired under conditions which exceed the designed capabilities or in a manner which is not in compliance with Seller's recommendations or with applicable laws, regulations or codes. Seller makes no representation or warranty as to the suitability or compatibility of any product or service with Customer's own equipment, materials, components, products or purpose; and Seller will in no event have any responsibility for the design, performance, use, defect or malfunction of Customer's own equipment, materials, components or products. Seller's sole obligation, and Customer's sole remedy, under the foregoing warranty will be the repair or, at Seller's sole option the replacement, of any product which may be determined by Seller to be defective, provided that

Customer shall notify Seller in writing of such defects within the one year warranty period set forth above; and, provided further that Customer will ship such products to Seller's office for repair or replacement, if necessary. THIS PARAGRAPH SETS FOR THE EXCLUSIVE REMEDIES FOR CLAIMS BASED ON DEFECT IN OR FAILURE OF PRODUCTS OR SERVICES, WHETHER THE CLAIM IS IN CONTRACT, INDEMNITY, WARRANTY, TORT (INCLUDING SELLER'S NEGLIGENCE), STRICT LIABILITY OR OTHERWISE AND HOWEVER INSTITUTED. THE FOREGOING WARRANTIES ARE THE SOLE AND EXCLUSIVE WARRANTIES BY SELLER TO CUSTOMER, AND ARE MADE IN LIEU OF ALL OTHER WARRANTIES. THERE ARE NO OTHER WARRANTIES, EXPRESS OR IMPLIED, BY OPERATION OF LAW OR OTHERWISE, FOR ANY PRODUCT OR SERVICE SOLD OR FURNISHED HEREUNDER, AND SELLER DISCLAIMS ALL IMPLIED WARRANTIES OF MERCHANTABILITY AND FITNESS FOR A PARTICULAR PURPOSE. ANY CATALOGUE, SAMPLE OR MODEL IS FOR ILLUSTRATIVE PURPOSES ONLY AND SHALL NOT BE DEEMED TO CREATE AN EXPRESS WARRANTY, AND NO AFFIRMATION OR PROMISE OR DESCRIPTION, OR CATALOGUE, SAMPLE OR MODEL SHALL BE DEEMED PART OF THE BASIS OF THE BARGAIN.

#### 2.3 LIMITATION OF LIABILITY

In no event, whether as a result of breach of contract, indemnity, warranty, tort (including Seller's negligence), strict liability or otherwise, shall Seller's liability to Customer for any loss or damage arising out of, or resulting from the products or services furnished hereunder, exceed the price of the specific product or service which gives rise to the claim, and any such liability shall terminate upon the expiration of the warranty specified in Section 2.2 entitled "Warranties." Any such claim of liability must be timely commenced in a court of competent jurisdiction in accordance with the applicable statute of limitations, but in no event later than one year from the termination of the said warranty. IN NO EVENT SHALL SELLER, ITS AFFILIATES, OFFICERS, AGENTS OR EMPLOYEES BE LIABLE FOR ANY INCIDENTAL, INDIRECT, SPECIAL OR CONSEQUENTIAL DAMAGES IN CONNECTION WITH OR ARISING FROM THE PRODUCTS OR SERVICES PROVIDED HEREUNDER, INCLUDING (WITHOUT LIMITATION) LOSS OF PROFITS OR REVENUES, INTERRUPTION OF BUSINESS, LOSS OF USE OF THE PRODUCTS OR ANY ASSOCIATED EQUIPMENT, MATERIALS, COMPONENTS OR PRODUCTS, DAMAGE TO ASSOCIATED EQUIPMENT, MATERIALS, COMPONENTS OR PRODUCTS, COST OF SUBSTITUTE PARTS, OR CLAIMS OF CUSTOMER'S CUSTOMERS FOR SUCH DAMAGES. CUSTOMER'S SOLE REMEDY FOR ANY LIABILITY OF SELLER OF ANY KIND IS LIMITED TO THE REPAIR OR REPLACEMENT OF DEFECTIVE PRODUCTS OR SERVICES AS PROVIDED IN THE IMMEDIATELY PRECEDING PARAGRAPH. CUSTOMER'S SOLE RECOURSE FOR DAMAGES IN CONNECTION WITH OR ARISING FROM THE PRODUCTS OR SERVICES PROVIDED HEREUNDER, WHETHER AS A RESULT OF BREACH OF CONTRACT, INDEMNITY, WARRANTY, TORT (INCLUDING SELLER'S NEGLIGENCE), STRICT LIABILITY OR OTHERWISE, SHALL BE AGAINST SELLER, AND CUSTOMER AGREES THAT NEITHER THE MANUFACTURER NOR SELLER'S AFFILIATES, OFFICERS, EMPLOYEES, STOCKHOLDERS OR AGENTS SHALL HAVE ANY LIABILITY THEREFOR.

#### 2.4 FIBOX GENERAL TERMS

The Seller shall deliver the products and render the services to Customer in accordance with Fibox General Terms. However, in case of any discrepancy between Fibox General Terms and the Seller's Terms and Conditions as provided for in this Catalogue, the Seller's Terms and Conditions shall prevail.

[www.fibox.com](http://www.fibox.com)

Fibox Oy Ab  
Keilaranta 19  
02150 Espoo  
Finland

Tel: +358 207 785 700  
Fax: +358 207 785 702  
E-mail: [info@fibox.fi](mailto:info@fibox.fi)

Fibox Ltd  
Suite 25,  
Durham Tees Valley Business Centre,  
Primrose Hill Industrial Estate,  
Orde Wingate Way,  
Stockton on Tees,  
TS19 0GD,  
ENGLAND

Tel: +44 1642 604 400,  
Fax: +44 1642 604 600  
E-mail: [sales@fibox.co.uk](mailto:sales@fibox.co.uk)

Code 9636104



## X-ON Electronics

Largest Supplier of Electrical and Electronic Components

*Click to view similar products for [Fibox](#) manufacturer:*

Other Similar products are found below :

[PC 100/100 HG ENCLOSURE](#) [PCM 175/75 T](#) [MIV 100](#) [FP A 23](#) [CAB P 302017](#) [CAB PC 303018 G3B](#) [L 04](#) [L 06](#) [L 12 II](#) [ABQ3 153410](#)  
[PCT 081206](#) [GPA M25B](#) [GPA PG9B](#) [MB 12189](#) [MB 12225](#) [MIV 175](#) [MIV 200](#) [PC 2819 18 T](#) [PC 5628 13 T](#) [TAM 090706 MC](#) [L 43 II](#) [L](#)  
[44 II](#) [MP 6040](#) [ARCA 604021](#) [EKPVT](#) [EKJVT](#) [MB 20064 SET](#) [PC 100/75 HT](#) [PCM 125/100 G](#) [CAB PC 403018 G](#) [PCM 100/100 G](#) [PC](#)  
[125/125 HG](#) [ABS D 65 G](#) [MB 10215 SET](#) [7094450](#) [PC 200/150 HT](#) [PCM 175/100 T](#) [PCT 121210](#) [9821007](#) [EKPE 130 T ENCLOSURE](#)  
[ABS C 85 G](#) [FEX 3828 18 T ENCLOSURE](#) [7811250](#) [7811310](#) [CAB PC 504020 T CABINET](#) [EKIV 23 MOUNTING PLATE](#) [CAB PC](#)  
[403017 G](#) [CAB PCQ 603017G](#) [CAB PC 604022 T3B CABINET](#) [AR14127CHSS](#)