

# KNX Universal Dimmer 2 channel



Kitchen  
light control



Bedroom  
light control



Living room  
light control



Lighting control  
in corridors  
(for hotels, offices  
and hospitals)



Building and  
house automation





**KNX Universal Dimmer with 2 channels**

- 2 x 400W channels
- LED indicators for each channel
- Thermal protection and short-circuit protection
- Manual override through front panel
- Scenario Management
- Power supply via KNX bus
- 35 mm rail (EN 60715) mounting
- Suitable for ETS 4 (or latest versions)

Screw terminal



**NEW** 15.2K.8.230.0400



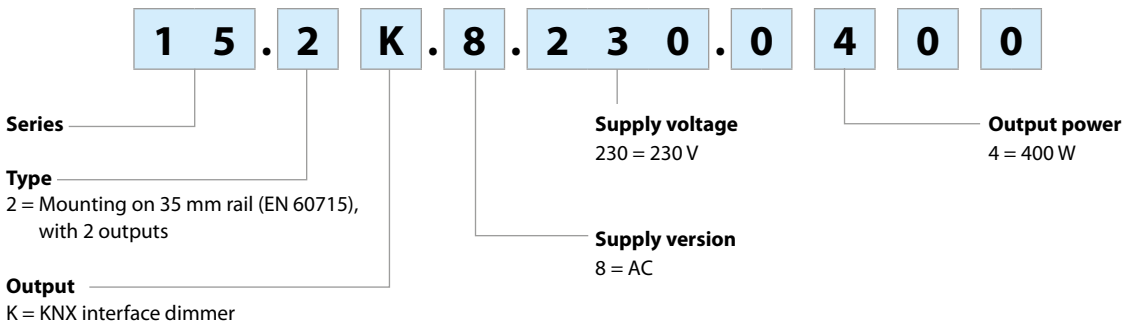
- Dimming operating modes: Leading Edge or Trailing Edge, ETS configurable
- Suitable for many kind of loads: LED lamps, halogen, CFL, electronic and electromagnetic transformers

For outline drawing see page 5

<b>Output data</b>	
Rated voltage	V 230
Power max.	W 400
Power min.	W 2
Nominal lamp ratings 230 V:	
230 V incandescent or halogen W	400
Toroidal electromagnetic transformers for LV halogen W	400
E-core electromagnetic transformers for LV halogen W	400
Electronic transformers (or ballasts) for LV halogen W	400
Dimmable compact fluorescent (CFL) W	100
Dimmable 230 V LED W	100
Dimmable electronic transformers for LV LED W	100
Dimming operating modes	Leading Edge / Trailing Edge
<b>Supply specification</b>	
Type of BUS	KNX
Supply voltage	V DC 30
Rated consumption	mA 7
<b>Technical data</b>	
Ambient temperature range	°C -5...+45
Protection category	IP 20
<b>Approvals</b> (according to type)	<b>CE</b>

## Ordering information

Example: type 15.2K, KNX Universal Dimmer with 2 channels, 230 V AC.




## Technical data

### EMC specifications

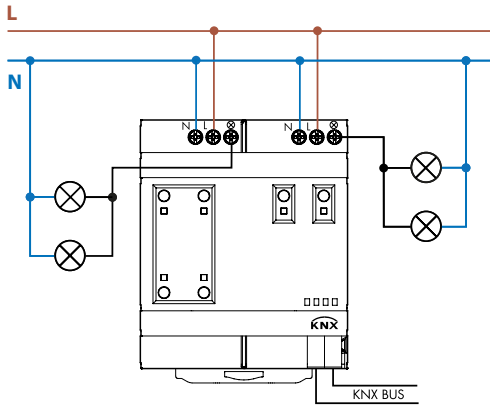
Type of test		Reference standard	
Electrostatic discharge	contact discharge	EN 61000-4-2	4 kV
	air discharge	EN 61000-4-2	8 kV
Radiated electromagnetic field	(80...1 000 MHz)	EN 61000-4-3	3 V/m
Fast transients (burst) (5-50 ns, 5 and 100 kHz)	on supply terminals	EN 61000-4-4	4 kV
Voltage pulses on supply terminals (surge 1.2/50 µs)	differential mode	EN 61000-4-5	2.5 kV
Radiofrequency common mode voltage (0.15...80 MHz)	on supply terminals	EN 61000-4-6	3 V
Voltage dips	70% U <sub>N</sub> , 40% U <sub>N</sub>	EN 61000-4-11	10 cycles
Short interruptions		EN 61000-4-11	10 cycles
Radiofrequency conducted emissions	0.15...30 MHz	EN 55014	class B
Radiated emissions	30...1 000 MHz	EN 55014	class B

### Terminals

Max. wire size	solid cable		stranded cable	
	mm <sup>2</sup>	1 x 6 / 2 x 2.5	1 x 4 / 2 x 1.5	
AWG	1 x 10 / 2 x 14	1 x 12 / 2 x 16		
 Screw torque	Nm	0.5		
Wire strip length	mm	7		

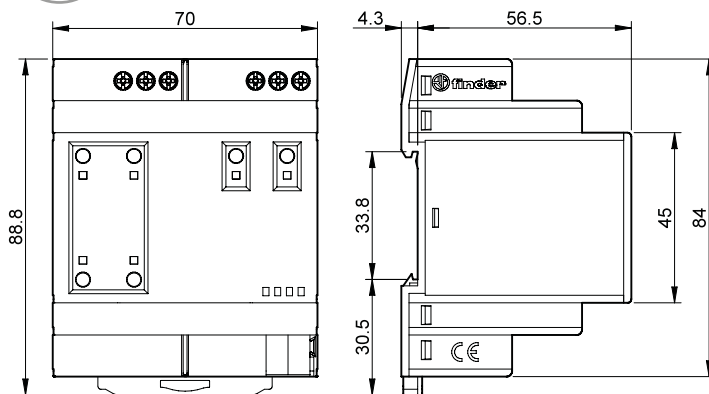
## Wiring diagram

Type 15.2K



## Outline drawings

Type 15.2K  
Screw terminal





## X-ON Electronics

Largest Supplier of Electrical and Electronic Components

*Click to view similar products for [Controllers](#) category:*

*Click to view products by [Finder](#) manufacturer:*

Other Similar products are found below :

[61FGPN8DAC120](#) [CV500SLK21](#) [70177-1011](#) [F03-03 HAS C](#) [F03-31](#) [81550401](#) [FT1A-C12RA-W](#) [H2CAC24A](#) [H2CRSAC110B](#) [R88A-CRGB003CR-E](#) [R88ARR080100S](#) [R88A-TK01K](#) [DCN1-1](#) [AFP0RT32CT](#) [DRT2ID08C](#) [DTB4896VRE](#) [DTB9696LVE](#) [E53-AZ01](#) [E53E01](#) [E53E8C](#) [E5C4Q40J999FAC120](#) [E5CWLQ1TCAC100240](#) [E5GNQ03PFLKACDC24](#) [B300LKL21](#) [NSCXDC1V3](#) [NSH5-232CW-3M](#) [NT20SST122BV1](#) [NV-CN001](#) [OAS-160-N](#) [C40PEDRA](#) [K31S6](#) [K33-L1B](#) [K3MA-F 100-240VAC](#) [K3TX-AD31A](#) [89750101](#) [L595020](#) [SRM1-C02](#) [SRS2-1](#) [G32X-V2K](#) [26546803](#) [26546805](#) [PWRA440A](#) [CPM1AETL03CH](#) [CV500SLK11](#) [3G2A5BI081](#) [3G2A5IA122](#) [3G2A5LK010E](#) [3G2A5OA223](#) [3G2A5OD211](#) [3G2A5PS223E](#)