

YESLY Accessories



Second Generation Gateway

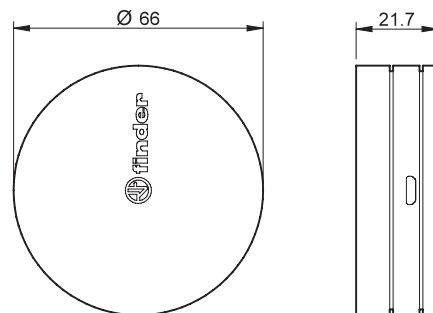
With Finder YESLY GATEWAY2 you can control your YESLY and the Smart BLISS2 Thermostat system remotely, wherever you are in the world. It is always possible, any time and anywhere, to check their status and make changes if necessary.

Moreover, through GATEWAY2 and cloud connectivity it is even possible to manage your system through voice commands using the GOOGLE Assistant or AMAZON ALEXA.

GATEWAY2 connects via the 2.4GHz Wi-Fi network of your home computer and communicates with Yesly and BLISS2 devices via Bluetooth or 868MHz RF transmissions.

In a situation where the Internet connection is lost the Yesly and BLISS2 devices installed in the system will continue to work as they are connected via Bluetooth or 868MHz RF transmissions to the Gateway2.

1Y.GU.005.1 GATEWAY2



Type

2nd Generation Gateway2 for Yesly devices and Smart BLISS2 thermostat

1Y.GU.005.1

Technical data

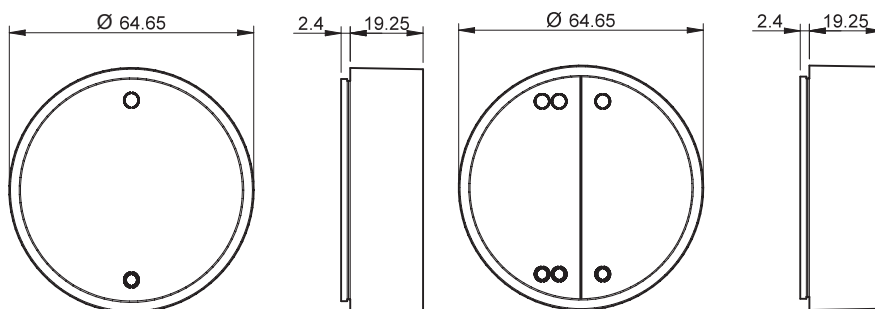
| | |
|---|---|
| Power source | 5 V – 1 A min |
| Operating frequency | Wi-Fi 2.4 GHz / Bluetooth / 868MHz |
| Ambient temperature range °C | -10...+50 |
| Transmission range Bluetooth between Yesly devices and Gateway2 | Approximately 10 m in free space and without obstacles. The transmission range may vary depending on the building structure. |
| Transmission range 868 MHz between BLISS2 thermostat and Gateway2 | Approximately 30 m in free space. The transmission range may vary depending on the building structure. |
| Approvals (according to type) | CE |

BEYON - Wireless pushbutton

Finder's BEYON is an innovative remote control for your YESLY comfort living system.

- The clean design of the BEYON blends well with all styles of furnishings with a result that is discreet and elegant.
- BEYON can be paired, via the Finder Toolbox App, with other YESLY devices such as actuators and dimmers to turn on/off or dim lighting, or to control electric shutters and blinds.
- BEYON can also be configured to activate SCENARIOS as well as control many other devices of your choosing.
- Your BEYON works without batteries and without any need for recharging.
- Available with two or four channels.

1Y.13.Bxx



| Types | |
|---|---|
| BEYON – Wireless pushbutton, 2 channels, white | 1Y.13.B10 |
| BEYON – Wireless pushbutton, 2 channels, black | 1Y.13.B12 |
| BEYON – Wireless pushbutton, 4 channels, white | 1Y.13.B20 |
| BEYON – Wireless pushbuttons, 4 channels, black | 1Y.13.B22 |
| Technical data | |
| Power source | Integral self powered generator |
| Operating frequency | 2.4 GHz Bluetooth BLE |
| Operating cycles | cycles 50 000 |
| Ambient temperature range | °C -25...+65 |
| Transmission range | Approximately 10 m in free space and without obstacles. The transmission range may vary depending on the building structure. |
| Color | White - Black |
| Dimensions | mm 64.6 Ø x 24.6 |
| Approvals (according to type) | CE FCC IC |

BEYON pushbuttons are supplied with a magnetic disc and an adhesive pad, so it is possible to attach them to most surfaces: metal, wood, glass - so you can always have it right where you need it. The silicone covers protect the BEYON from falls and provide an incredibly simple color coding, in order to associate buttons to rooms or functions.

BEYON is available in WHITE or BLACK, whereas cover colours are FINDER BLUE, NIGHT GREY and GLACIER WHITE.



Wall-mounting pushbutton 013.B9

013.B9 wireless pushbutton is an innovative remote control for your YESLY comfort living system.

- The pushbutton can be paired, via the Finder Toolbox App, with other YESLY devices such as actuators and dimmers to turn on/off or dim lighting, or to control electric shutters and blinds.
- The pushbutton can also be configured to activate SCENARIOS as well as control many other devices of your choosing.
- The device works without batteries and without any need for recharging.
- Configurable as two or four channels.
- The design is more classical and essential endowing the YESLY system with a more complete stylistic range.

013.B9



Type

013.B9 pushbutton can be set in 2 or 4 channel mode.

013.B9

Technical data

| | |
|--------------------------------------|---|
| Source of energy | Integral self powered generator |
| Operating frequency | 2.4 GHz Bluetooth BLE |
| Operating cycles | cycles 50 000 |
| Ambient temperature range | °C -25...+65 |
| Transmission range | Approximately 10 m in free space and without obstacles. The transmission range may vary depending on the building structure. |
| Color | White |
| Dimensions | mm 82 x 82 x 14 |
| Approvals (according to type) | CE FCC IC |

013.B9 pushbuttons are supplied with a magnetic disc and an adhesive pad, so it is possible to attach it to most surfaces: metal, wood, glass - and therefore installation can be accomplished without any structural work.

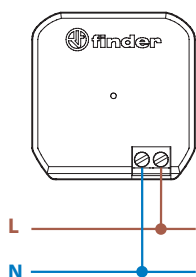
The **013.B9** button is provided with the adapters for two or four channel configuration.

Range extender

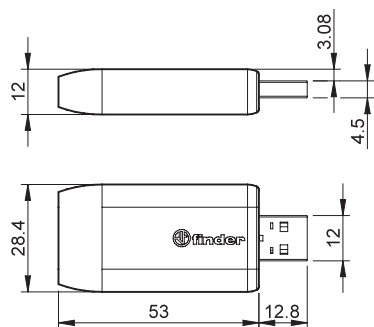
The range extender extends the effective transmission range of the Wireless pushbuttons and other YESLY devices if the Smartphone cannot communicate directly because of distance.

The range extender is a plug-n-play device, and does not require configuring.

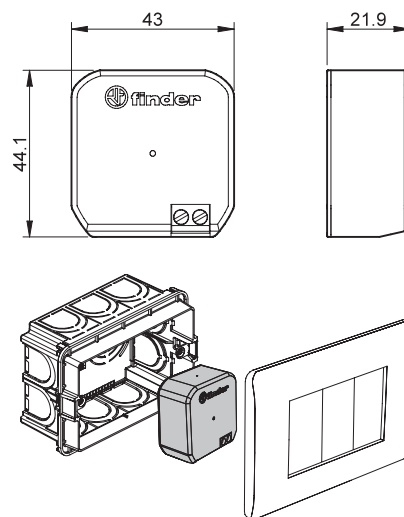
**Wiring diagram
Type 1Y.E8.230**



1Y.EU.005

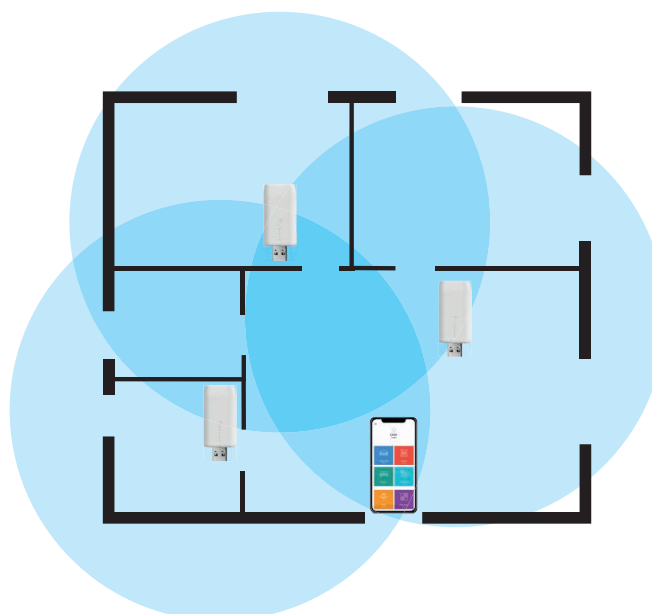
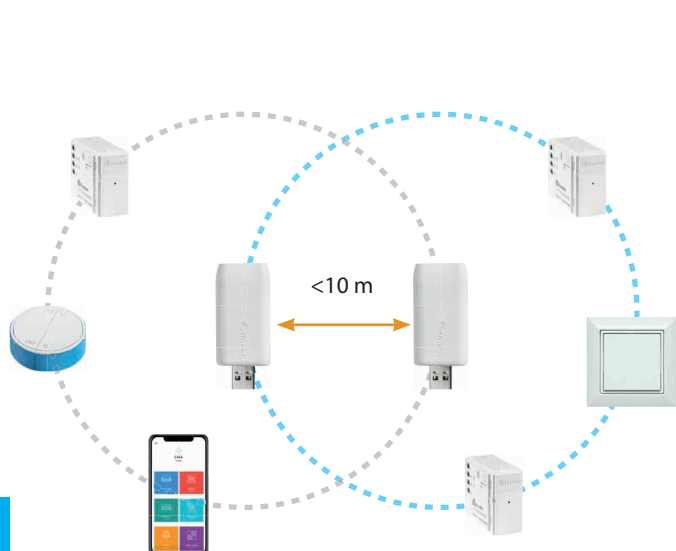


1Y.E8.230



| Types | | |
|--------------------------------------|---|--------------------------|
| USB range extender | 1Y.EU.005 | |
| Range extender 110...230 V AC | 1Y.E8.230 | |
| Technical data | | |
| Power supply | USB connector 5V – 0.5 A min | 110...230 V AC (50/60Hz) |
| Operating frequency | 2.4 GHz | |
| Ambient temperature range | °C –10...+50 | |
| Transmission range | Approximately 10 m in free space and without obstacles. The transmission range may vary depending on the building structure. | |
| Approvals (according to type) | CE FCC IC | |

The range extenders must be installed within a maximum distance of 10 meters, and up to 4 devices can be used in the same system. It can be installed in any USB input that provides a power supply of at least 5V and 0.5A.



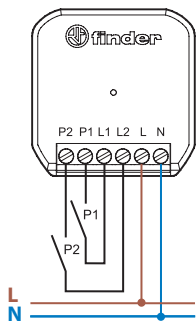
2-Input YESLY interface unit

The 2-input 1Y.P2 interface has been developed to accept volt-free contacts or phase voltage (L) signals as inputs, and to integrate them into a YESLY system.

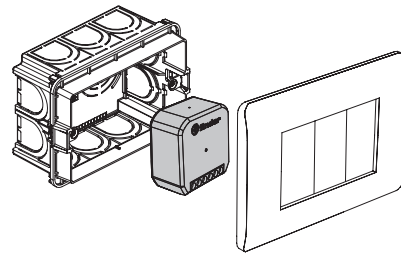
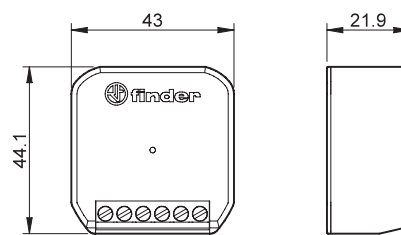
It is therefore possible to control YESLY devices for lighting or roller blind control by choosing to use traditional push buttons or voltage signals.

- 2 input channels (P1 and P2)
- Suitable for controlling YESLY devices with traditional pushbuttons or switches, for example by integrating into an existing residential lighting system or with PLC outputs or relay contacts etc..
- Programming via Smartphone with Finder Toolbox Plus
- Compatible with illuminated pushbuttons [max 5 (≤ 1 mA) buttons]
- Transmission range: 10 meters in free space and without obstacles.

Wiring diagram



1Y.P2.8.230.B000



| | | |
|--------------------------------------|--|-------------------------|
| Type | 2-Input YESLY interface unit | 1Y.P2.8.230.B000 |
| Technical data | | |
| Power supply | | 110...230 V AC |
| Operating frequency | | 2.4 GHz |
| Ambient temperature range | °C | -10...+50 |
| Transmission range | Approximately 10 m in free space and without obstacles. The transmission range may vary depending on the building structure. | |
| Approvals (according to type) | CE | |

X-ON Electronics

Largest Supplier of Electrical and Electronic Components

Click to view similar products for [Controllers](#) category:

Click to view products by [Finder](#) manufacturer:

Other Similar products are found below :

[61FGPN8DAC120](#) [CV500SLK21](#) [70177-1011](#) [F03-03 HAS C](#) [F03-31](#) [81550401](#) [FT1A-C12RA-W](#) [H2CAC24A](#) [H2CRSAC110B](#) [R88A-CRGB003CR-E](#) [R88ARR080100S](#) [R88A-TK01K](#) [DCN1-1](#) [AFP0RT32CT](#) [DRT2ID08C](#) [DTB4896VRE](#) [DTB9696LVE](#) [E53-AZ01](#) [E53E01](#) [E53E8C](#) [E5C4Q40J999FAC120](#) [E5CWLQ1TCAC100240](#) [E5GNQ03PFLKACDC24](#) [B300LKL21](#) [NSCXDC1V3](#) [NSH5-232CW-3M](#) [NT20SST122BV1](#) [NV-CN001](#) [OAS-160-N](#) [C40PEDRA](#) [K31S6](#) [K33-L1B](#) [K3MA-F 100-240VAC](#) [K3TX-AD31A](#) [89750101](#) [L595020](#) [SRM1-C02](#) [SRS2-1](#) [G32X-V2K](#) [26546803](#) [26546805](#) [PWRA440A](#) [CPM1AETL03CH](#) [CV500SLK11](#) [3G2A5BI081](#) [3G2A5IA122](#) [3G2A5LK010E](#) [3G2A5OA223](#) [3G2A5OD211](#) [3G2A5PS223E](#)