

LED panel light

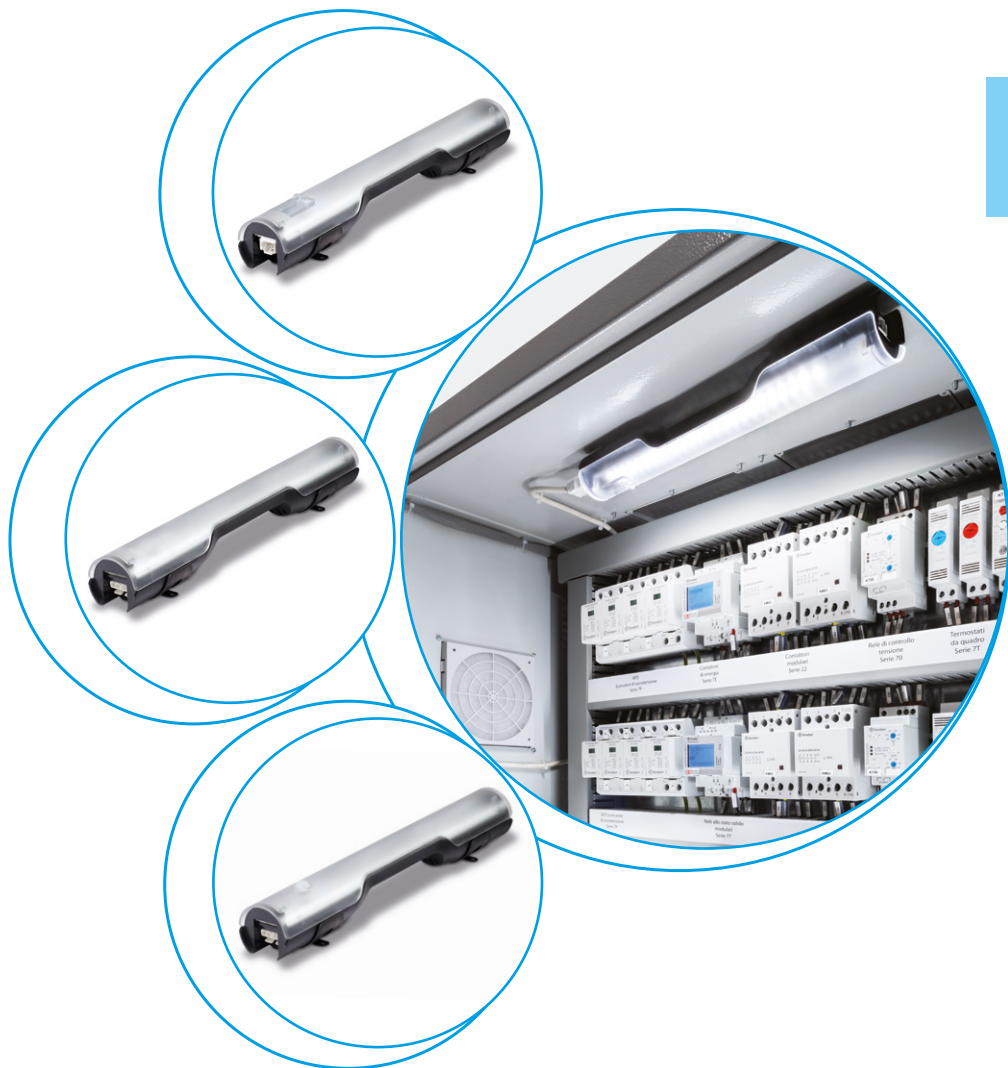
7L
SERIES



Panels for
electrical
distribution



Control panels



LED light for electrical panels

Type 7L.43.0.xxx.0x00

- 600 lumens
- Direct magnetic mounting or through a screw-fixed metallic support
- Low power consumption
- Radiation angle 120°
- Colour temperature 5000 K
- Push-in terminals for the connection to a single unit
- Plug-in terminals for the connection to a single or multiple units (up to 7 lamps)
- Design by Minelli - Fossati

NEW 7L.43.0.xxx.0x00



- 600 lumens, 6 W
- Without ON/OFF switch or movement detector

For outline drawing see page 8

Lamp Data

Type of lamp LED, viewing angle 120°, Light colour: daylight white, colour temperature: 5000 K

| | | |
|---------------|----|-------|
| Luminous flux | lm | 600 |
| Life time | h | 60000 |

Electrical Data

| | | |
|-----------------------------------|--------------------|-----------------------|
| Operating voltage | V AC (50/60 Hz)/DC | 12...48 - 110...240 |
| Operating range | V AC/DC | 9.6...52.8 - 88...264 |
| Nominal current @230 V AC | mA | 39 |
| Nominal current @24 V DC | mA | 200 |
| Rated power of the lamp @230 V AC | W | 6 |
| Rated power of the lamp @24 V DC | W | 6 |

General data

| | |
|-----------------------------------|--------------------------------------------------------------------------|
| Connection cable to the lamp | Sheathed cable 2 x 1.5 mm ² , flexible with push-in or socket |
| Interconnectors from lamp to lamp | Sheathed cable 2 x 1.5 mm ² , flexible with plug and socket |
| Socket and plug | 2-pole with interlock |
| Type of mounting | Magnetic or clip fixing |
| Housing | Plastic, transparent |
| Ambient temperature | °C -30...+55 |
| Protection class | II |
| Protection category | IP 20 |

Approvals (according to type)



LED light for electrical panels

Type 7L.43.0.xxx.1x00

- 600 lumens
- Direct magnetic mounting or through a screw-fixed metallic support

Type 7L.46.0.xxx.1x00

- 1200 lumens
- Direct magnetic mounting or through a screw-fixed metallic support

- Low power consumption
- Radiation angle 120°
- Colour temperature 5000 K
- Push-in terminals for the connection to a single unit
- Plug-in terminals for the connection to a single or multiple units (up to 7 lamps)
- Design by Minelli - Fossati

NEW 7L.43.0.xxx.1x00



- 600 lumens, 6 W
- With ON/OFF switch

NEW 7L.46.0.xxx.1x00



- 1200 lumens, 9 W
- With ON/OFF switch

For outline drawing see page 9

Lamp Data

Type of lamp LED, viewing angle 120°, Light colour: daylight white, colour temperature: 5000 K

| | | | |
|---------------|----|-------|------|
| Luminous flux | lm | 600 | 1200 |
| Life time | h | 60000 | |

Electrical Data

| | | | |
|-----------------------------------|--------------------|-----------------------|-----|
| Operating voltage | V AC (50/60 Hz)/DC | 12...48 - 110...240 | |
| Operating range | V AC/DC | 9.6...52.8 - 88...264 | |
| Nominal current @230 V AC | mA | 39 | 54 |
| Nominal current @24 V DC | mA | 200 | 300 |
| Rated power of the lamp @230 V AC | W | 6 | 9 |
| Rated power of the lamp @24 V DC | W | 6 | 9 |

General data

| | | | |
|-----------------------------------|--------------------------------------------------------------------------|-----------|--|
| Connection cable to the lamp | Sheathed cable 2 x 1.5 mm ² , flexible with push-in or socket | | |
| Interconnectors from lamp to lamp | Sheathed cable 2 x 1.5 mm ² , flexible with plug and socket | | |
| Socket and plug | 2-pole with interlock | | |
| Type of mounting | Magnetic or clip fixing | | |
| Housing | Plastic, transparent | | |
| Ambient temperature | °C | -30...+55 | |
| Protection class | II | | |
| Protection category | IP 20 | | |

Approvals (according to type)



LED light for electrical panels

Type 7L.43.0.xxx.2x00

- 600 lumens
- Direct magnetic mounting or through a screw-fixed metallic support

Type 7L.46.0.xxx.2x00

- 1200 lumens
- Direct magnetic mounting or through a screw-fixed metallic support

- Low power consumption
- Radiation angle 120°
- Colour temperature 5000 K
- Push-in terminals for the connection to a single unit
- Plug-in terminals for the connection to a single or multiple units (up to 7 lamps)
- Design by Minelli - Fossati

NEW 7L.43.0.xxx.2x00



- 600 lumens, 6 W
- With movement detector

NEW 7L.46.0.xxx.2x00



- 1200 lumens, 9 W
- With movement detector

For outline drawing see page 10

Lamp Data

Type of lamp LED, viewing angle 120°, Light colour: daylight white, colour temperature: 5000 K

| | | | |
|------------------------------------|-----|-------|------|
| Luminous flux | lm | 600 | 1200 |
| Life time | h | 60000 | |
| Light ON time after last detection | min | 3 | |

Electrical Data

| | | | |
|-----------------------------------|--------------------|-----------------------|-----|
| Operating voltage | V AC (50/60 Hz)/DC | 12...48 - 110...240 | |
| Operating range | V AC/DC | 9.6...52.8 - 88...264 | |
| Nominal current @230 V AC | mA | 39 | 54 |
| Nominal current @24 V DC | mA | 200 | 300 |
| Rated power of the lamp @230 V AC | W | 6 | 9 |
| Rated power of the lamp @24 V DC | W | 6 | 9 |

General data

| | |
|-----------------------------------|--------------------------------------------------------------------------|
| Connection cable to the lamp | Sheathed cable 2 x 1.5 mm ² , flexible with push-in or socket |
| Interconnectors from lamp to lamp | Sheathed cable 2 x 1.5 mm ² , flexible with plug and socket |
| Socket and plug | 2-pole with interlock |
| Type of mounting | Magnetic or clip fixing |
| Housing | Plastic, transparent |
| Ambient temperature | °C -30...+55 |
| Protection class | II |
| Protection category | IP 20 |

Approvals (according to type)



Ordering information

Example: Series 7L, LED light with magnetic fixing, ON/OFF switch, supply voltage 12...48V AC/DC and push-in terminals.

7 L . 4 3 . 0 . 0 2 4 . 1 1 0 0

Series

Type

43 = LED lamp 600 lumens
46 = LED lamp 1200 lumens

Supply version

0 = AC (50/60 Hz)/DC

Supply voltage

024 = (12...48)V AC/DC
230 = (110...240)V AC/DC

Connections

1 = Push-in terminals for the connection to a single unit
2 = Plug-in terminals for the connection to a single or multiple units

Switching

0 = Without ON/OFF switch or movement detector
1 = Switching via ON/OFF switch
2 = Switching via movement detector

All types

| | |
|------------------|------------------|
| 7L.43.0.024.0100 | 7L.46.0.024.1100 |
| 7L.43.0.024.0200 | 7L.46.0.024.1200 |
| 7L.43.0.024.1100 | 7L.46.0.024.2100 |
| 7L.43.0.024.1200 | 7L.46.0.024.2200 |
| 7L.43.0.024.2100 | 7L.46.0.230.1100 |
| 7L.43.0.024.2200 | 7L.46.0.230.1200 |
| 7L.43.0.230.0100 | 7L.46.0.230.2100 |
| 7L.43.0.230.0200 | 7L.46.0.230.2200 |
| 7L.43.0.230.1100 | |
| 7L.43.0.230.1200 | |
| 7L.43.0.230.2100 | |
| 7L.43.0.230.2200 | |

Accessories



07L.11 (included in the box)



07L.12 (not included)

0 7 L . 1 1

Type

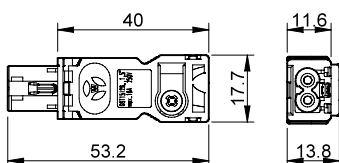
Sockets and plugs, coded, for connection to a 2-pole cable (2 x 1.5 mm²), e.g. H05VV-F, 2 x 1.5 mm²

11 = Socket, loose for input side

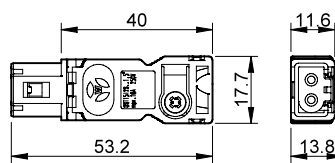
12 = Plug, loose for output side

Outline drawings

Type 07L.11

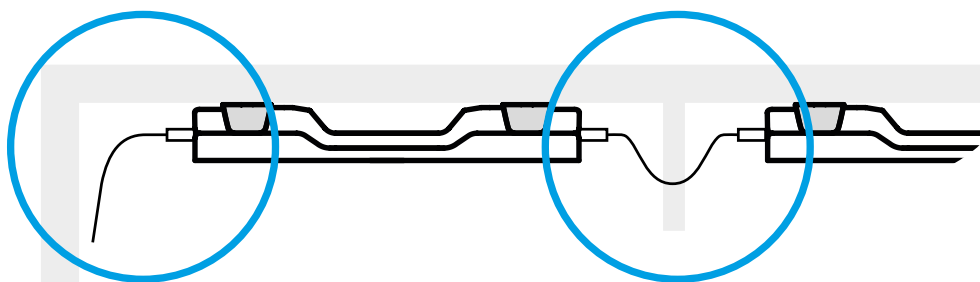


Type 07L.12



Connections

Quick and simple wiring system via **push-in terminals** for the connection to a single unit, or via **plug-in terminals** for the connection to a single or multiple units.

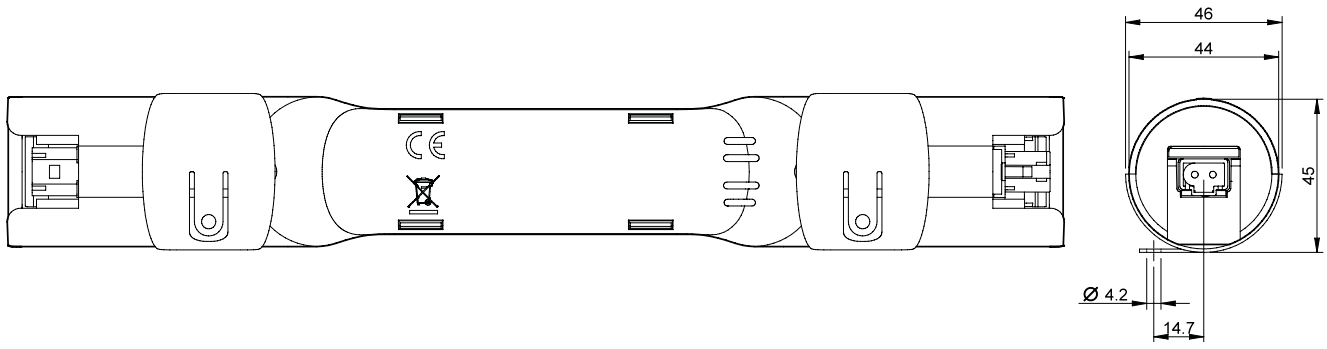
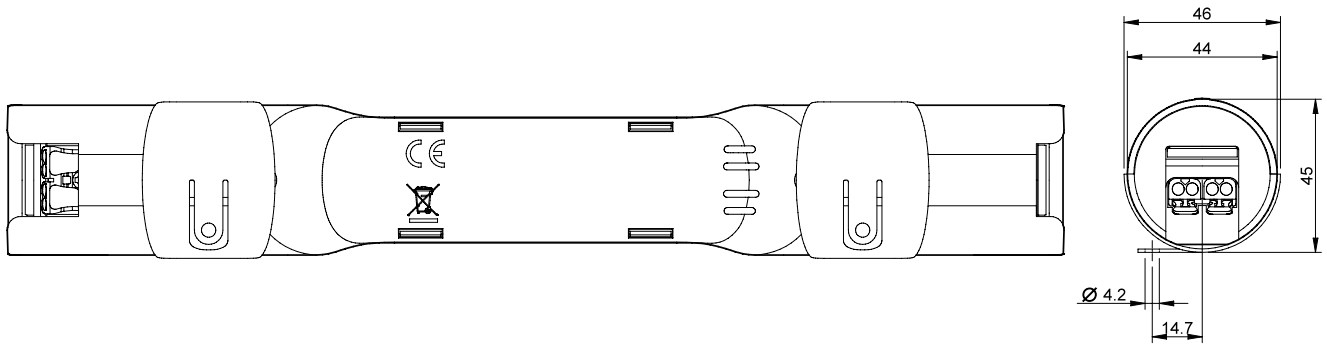


Multiple connection (up to 7 lamps)

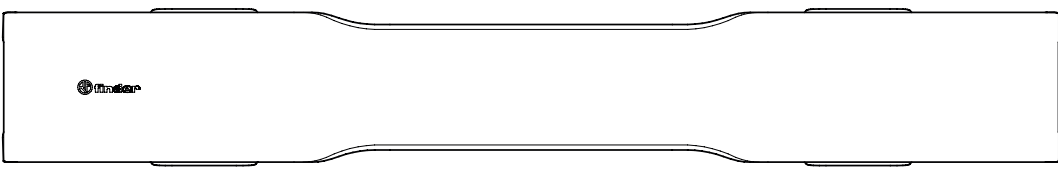
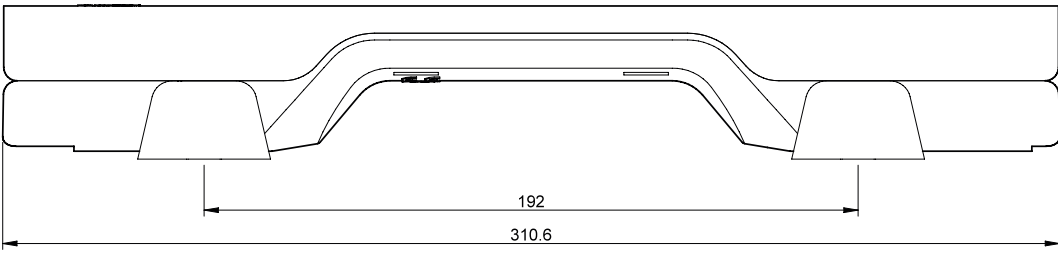
G

Outline drawings

Types 7L.4x.0.xxx.0100/0200

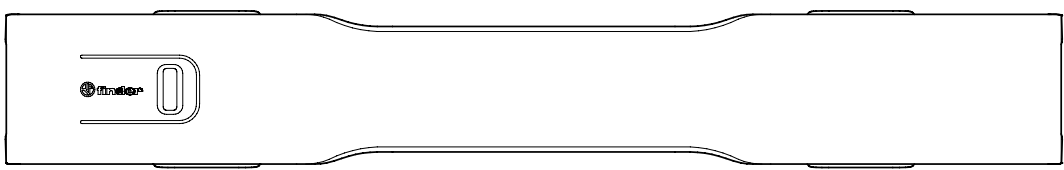
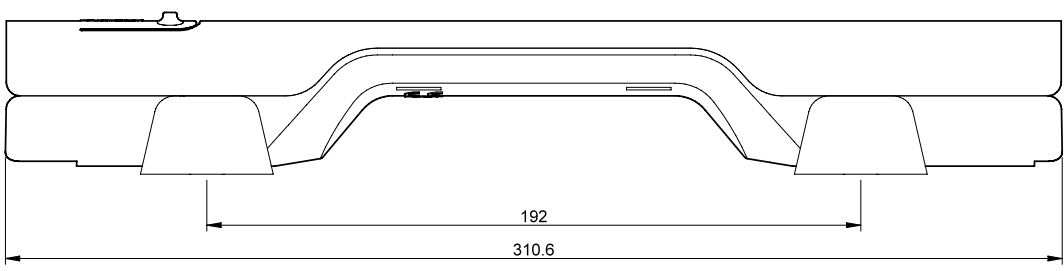
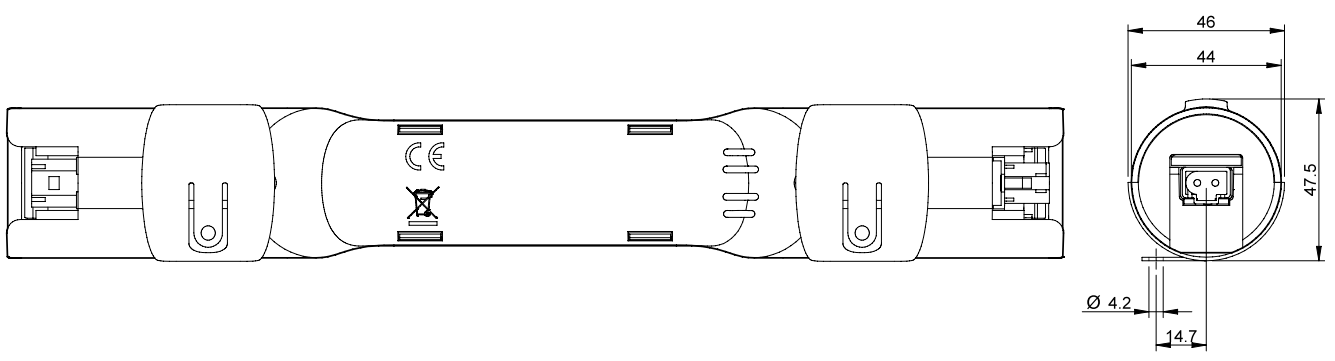
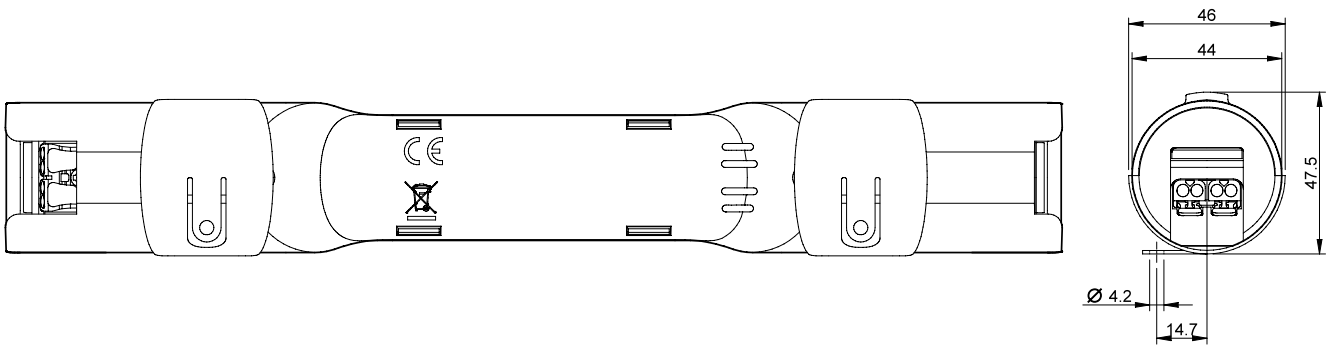


G



Outline drawings

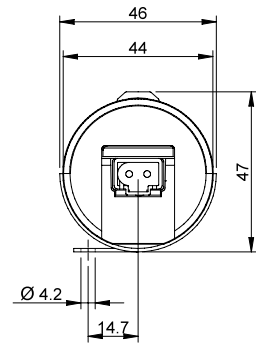
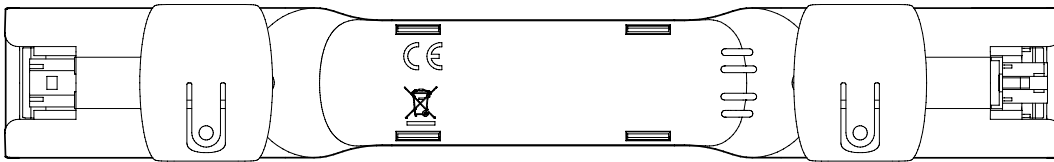
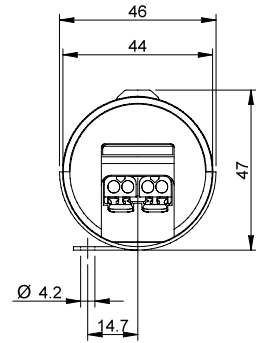
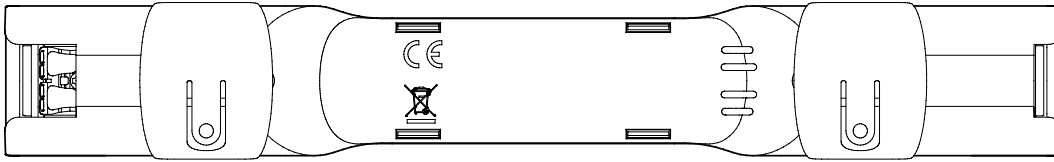
Types 7L.4x.0.xxx.1100 / 1200



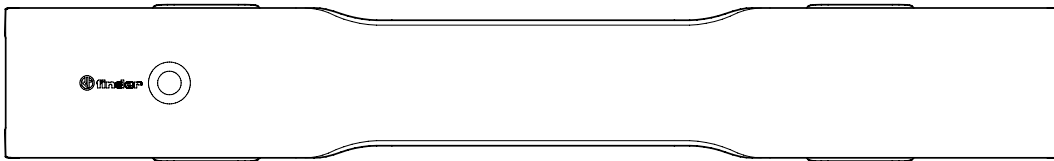
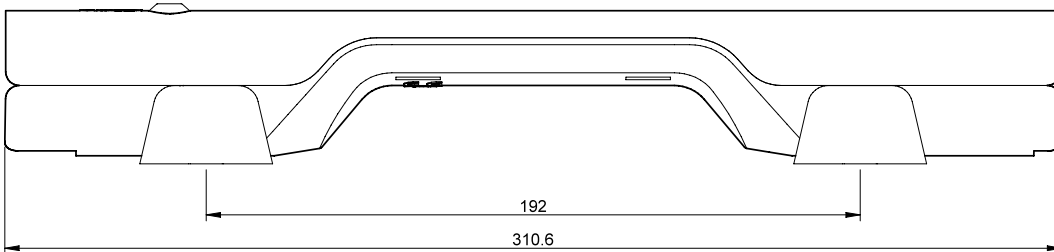
G

Outline drawings

Types 7L.4x.0.xxx.2100 / 2200



G



X-ON Electronics

Largest Supplier of Electrical and Electronic Components

Click to view similar products for [Racks & Rack Cabinet Accessories](#) category:

Click to view products by [Finder manufacturer](#):

Other Similar products are found below :

[M00-PLN](#) [F2424](#) [8351-832-A-24](#) [9104](#) [9105](#) [PLFF2000](#) [H-9163-B](#) [1427C3](#) [NL101](#) [HTS10](#) [PC-79](#) [SC10-3A](#) [SC4-28](#) [CG3-340S/12](#) [CP-001BK](#) [M6123-4007-SS](#) [TS170](#) [LP40](#) [5261304-07](#) [CG3-160G](#) [7112C-PLN](#) [ALUM](#) [CM10](#) [8610-3124-S-26](#) [TS81](#) [7142](#) [GP134](#) [M6125-4007-A-24](#) [M6127-4007-SS](#) [PBCOVER](#) [512](#) [AEG-4000G](#) [AEG-3000G](#) [HD99](#) [SR2-66A2](#) [FP10B4HP-1](#) [FP52-2](#) [1406-1006-01](#) [29478](#) [TS2535](#) [TS169-6](#) [CAC2](#) [HA19-3U](#) [BR-19-10-1](#) [TS180](#) [CG3-ESD](#) [SC11-1](#) [CFS-1.00/2.20](#) [HEC0800PB](#) [ZC633R](#) [140PLN](#)