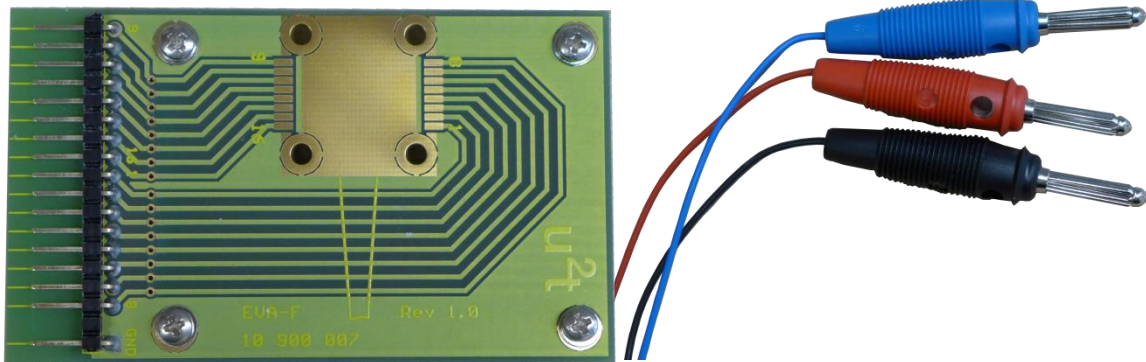


## Product Specification

### Evaluation Kit for Integrated Coherent Detector

#### Eva-Kit BPDV



#### PRODUCT FEATURES

- Evaluation kit for laboratory testing of BPDV modules
- PCB board for mechanical mounting of BPDV modules
- Banana plugs for laboratory access of BPDV DC control lines

#### APPLICATIONS

- Product evaluation
- Laboratory test systems
- Interface board and DC control cable for optical frontend

The evaluation kit consists of a PCB for mechanical mounting of BPDV modules and a DC connector cable. The PCB is designed to directly access the RF connector of the module package. DC control is enabled via banana connectors. The kit enables easy electrical access and full control of BPDV modules.

#### ORDERING INFORMATION

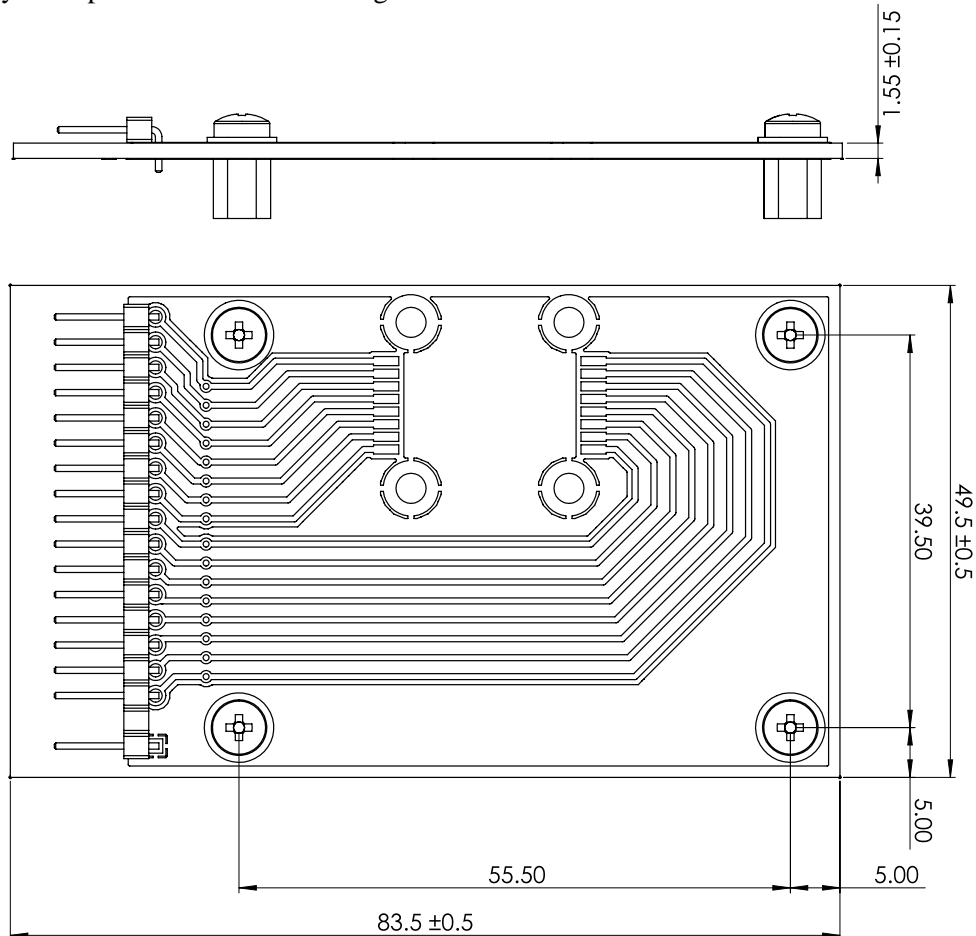
**Eva-Kit BPDV**

Eva-Kit BPDV is consisting of:

- **Eva-BPDV PCB board**
- **Eva-Cable-Set BPDV**

## I. Evaluation Board

The PCB evaluation board is designed for mechanical mounting of BPDV modules. Electrical connection to the module is obtained via Ni/Au finished electrical pads. Care needs to be taken for precise alignment of the package electrical leads to the pads on board. Slight bending of leads for increased spring load is suggested. The module can be fixed by 4 screws. The board is equipped with a keyed 17 pin header for connecting the DC cable.



**Figure 1: PCB Layout (dimensions in mm)**

- Single-layer PCB
- 1.5 mm thickness
- Material: FR4
- 35  $\mu\text{m}$  Cu
- Ni/Au finish

## II. DC Cable

The DC cable provides access to the DC pins of the BPDV module via banana plugs. Connection to the evaluation board is obtained by a 17 leads keyed connector. Each cable is labeled near the banana plug with the function of the module pin it is connected to.

**III. Revision History**

<b>Revision</b>	<b>Date</b>	<b>Description</b>
A1	01/30/2015	<ul style="list-style-type: none"><li>• Document created.</li></ul>

**Notes**

- Any trademarks used in this document are properties of their respective owners.
- Finisar Corporation reserves the right to make changes without notice.

**For More Information**

Finisar Corporation  
1389 Moffett Park Drive  
Sunnyvale, CA 94089-1133  
Tel. 1-408-548-1000  
Fax 1-408-541-6138  
[sales@finisar.com](mailto:sales@finisar.com)  
[www.finisar.com](http://www.finisar.com)

## **X-ON Electronics**

Largest Supplier of Electrical and Electronic Components

*Click to view similar products for [Fiber Optic Development Tools](#) category:*

*Click to view products by [Finisar](#) manufacturer:*

Other Similar products are found below :

[EVA-XPRV](#) [EVA-MPRV](#) [50-60-0105-01R](#) [EVA-KIT CPRV2XXX](#) [FDB-1044](#) [EVA-BOARD CPRV2XXX](#) [FDB-1019](#) [HFBR-0571](#) [FWSF-OADM-1-53](#) [AFBR-S10EB001Z](#) [FP-CAGE-BB](#) [EVAL03-HMC7150LP3D](#) [AFBR-0545Z](#) [HFBR-0310Z](#) [HFBR-0410Z](#) [HFBR-0416Z](#) [HFBR-0501Z](#) [HFBR-0528Z](#) [AFBR-0549Z](#) [AFBR-0550Z](#) [HFBR-0541Z](#) [FDB-1022](#) [FDB-1032-SFP+](#) [FDB-1043](#) [050-301-EVALBOARD](#) [MIKROE-1940](#) [QPB7432PCK](#) [ONET1131EC-EVM](#)