

## Product Specification

---

### RoHS Compliant LC Universal Dust-Plug for Finisar SFP/SFP+ and SFF Products

---

#### FTLFLCDP1

#### PRODUCT FEATURES

- Prevents dust from contaminating RX and TX optical ports
- Minimizes ingress of aqueous solution into RX and TX optical ports
- Fits into any Finisar-LC SFP, SFF, SFP+ or XFP product
- RoHS compliant/lead-free
- Industrial storage temperature range: -40°C to 85°C



Finisar's FTLFLCDP1 dust plugs are designed for all Finisar SFF, SFP, XFP and SFP+ products with LC optical interfaces. They are made of solid polyurethane material and are RoHS compliant/lead-free.

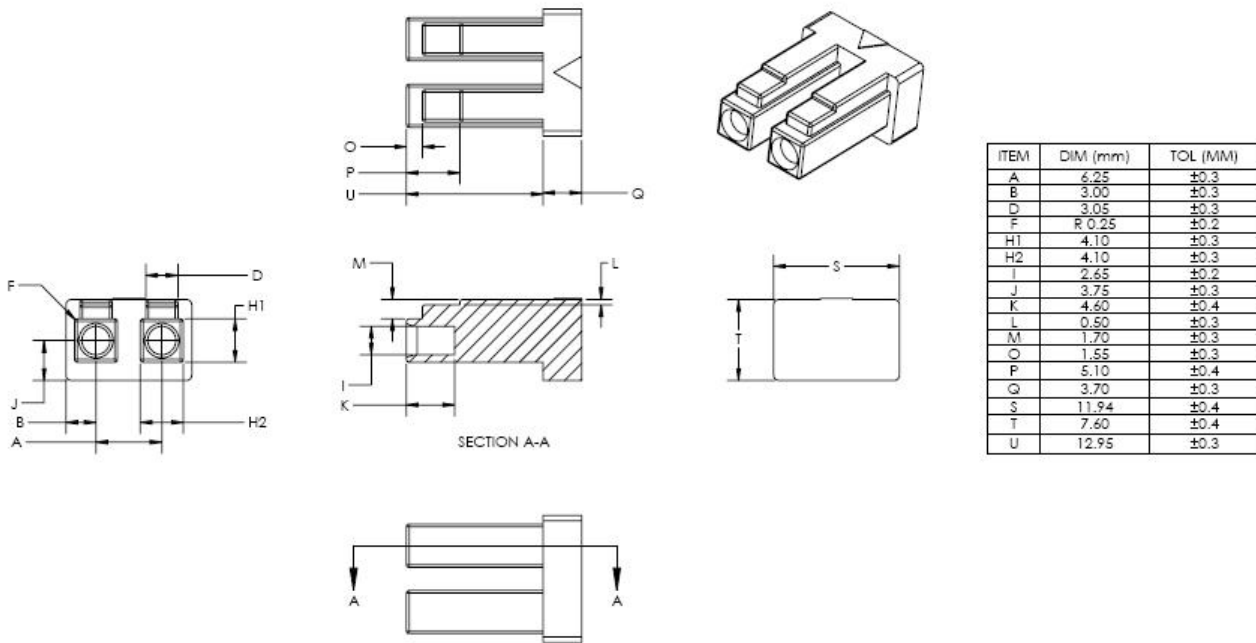
FTLFLCDP1 have no shelf-life limitation and are rated for storage temperatures of -40°C to 85°C.

#### PRODUCT SELECTION

<b>FTLFLCDP1</b>
------------------

**Caution:** Transceiver TX and RX ports contain optical surfaces that are sensitive to particulates. Contamination from dust can degrade optical transmit and receive power levels. Special care should be used to prevent contaminating process plugs. Always use new or uncontaminated dust plugs to avoid contamination.

**Mechanical Specification**



**For More Information**

Finisar Corporation  
 1389 Moffett Park Drive  
 Sunnyvale, CA 94089-1133  
 Tel. 1-408-548-1000  
 Fax 1-408-541-6138  
[sales@finisar.com](mailto:sales@finisar.com)  
[www.finisar.com](http://www.finisar.com)

## X-ON Electronics

Largest Supplier of Electrical and Electronic Components

*Click to view similar products for [Fibre Optic Transmitters, Receivers, Transceivers](#) category:*

*Click to view products by [Finisar](#) manufacturer:*

Other Similar products are found below :

[STV.2413-574-00262](#) [TRPRG1VA1C000E2G](#) [TOTX1350\(V,F\)](#) [FTLX3813M349](#) [SCN-1428SC](#) [LTK-ST11MB](#) [HFD8003-002/XBA](#)  
[HFD3020-500-ABA](#) [FTLF1429P3BCVA](#) [S6846](#) [SCN-2638SC](#) [FTLC9555FEPM](#) [TQS-QG4H9-J83](#) [SCN-1570SC](#) [SCN-1601SC](#) [SCN-](#)  
[1338SC](#) [SFPPT-SR3-01](#) [HFD8003-500-XBA](#) [SCN-1383SC](#) [2333569-1](#) [LNK-ST11HB-R6](#) [FTL4C1QL3L](#) [FTL4C1QE3L](#) [FTL4C1QL3C](#)  
[SPTSHP3PMCDF](#) [SPTSBP4LLCDF](#) [SPTMBP1PMCDF](#) [SPTSHP2PMCDF](#) [SF-NLNAMB0001](#) [SPTSHP2SLCDF](#) [SPTSQP4LLCDF](#)  
[1019682](#) [1019683](#) [1019705](#) [HFBR-1415Z](#) [AFBR-5803ATQZ](#) [AFBR-5803ATZ](#) [PLR135/T9](#) [TGW-Q14BB-FCQ](#) [TQS-Q1LH8-XCA03](#) [TQS-](#)  
[Q1LH8-XCA05](#) [TQS-Q1LH8-XCA10](#) [TQS-Q1LH9-2CA](#) [HFBR-1414Z](#) [HFBR-1527Z](#) [HFBR-1528Z](#) [HFBR-2406Z](#) [HFBR-2505AZ](#) [HFBR-](#)  
[2532Z](#) [HFBR-1532Z](#)