
**Features**

- Low ripple <10mVpp
- On-board reference source
- Easy adjustment
- Shielded, HF safe package
- up to -500 V maximum voltage

**Description**

Precision regulated power module for APD and PIN diodes with very low ripple.

**Application**

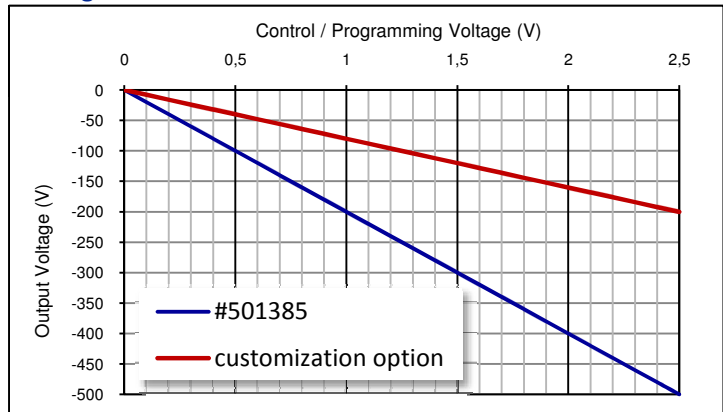
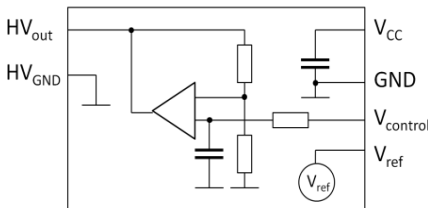
- High voltage for APD
- High voltage for PIN-PD

**RoHS**

2002/95/EC


**Absolute maximum ratings**

Symbol	Parameter	Min	Max	Unit
$T_{STG}$	Storage temp	-10	125	°C
$T_{OP}$	Operating temp	-10	70	°C
$V_{CC}$	Supply Voltage	0	6	V

**Voltage Control**

**Block diagram**

**Electrical characteristics @ 23°C**

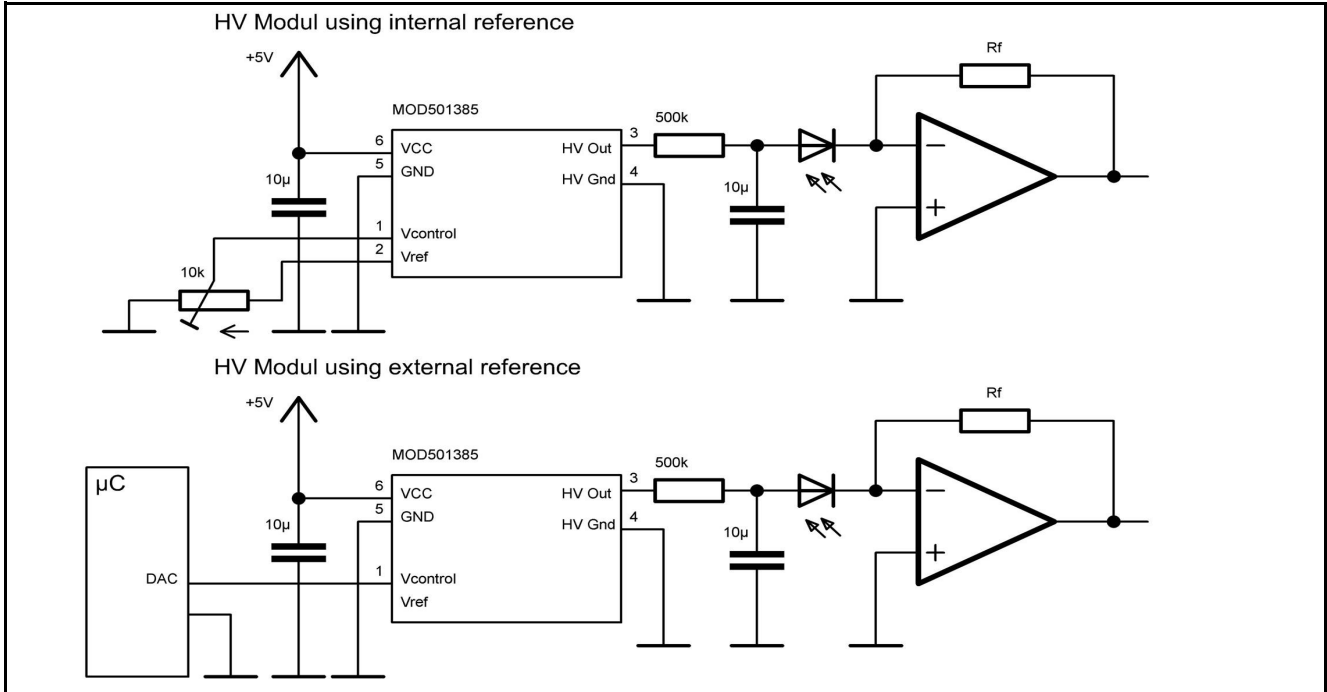
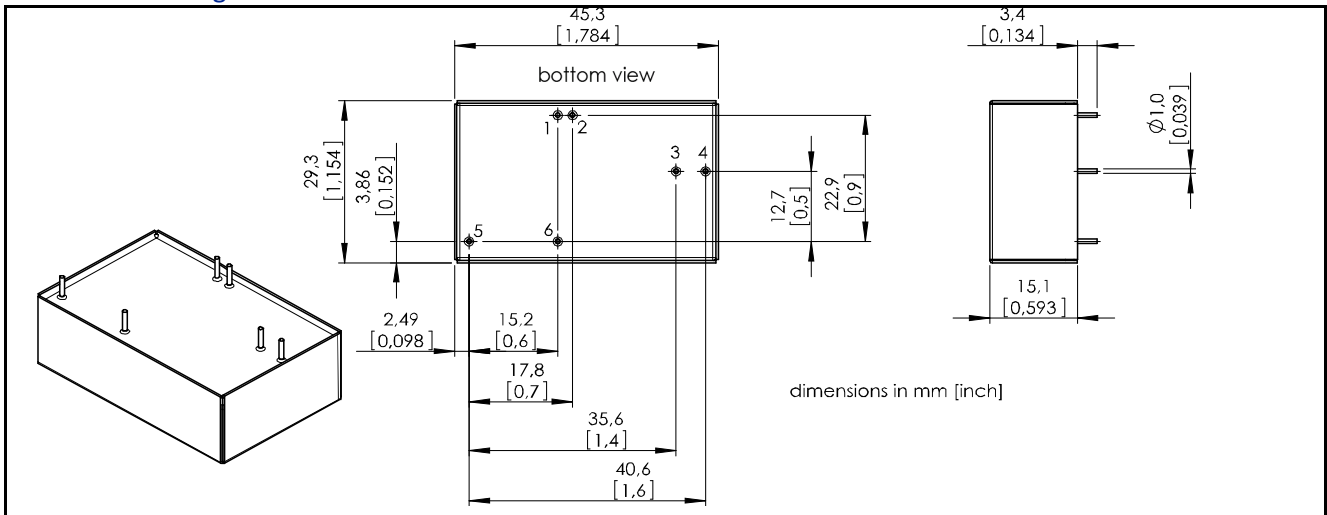
Symbol	Characteristic	Test Condition	Min	Typ	Max	Unit
$V_{CC}$	Input voltage		+4.5		+5.5	V
	Input current w/o load	@ -500 V			70	mA
	Input capacitance			200		μF
$V_{control}$	Control voltage		0		2.5	V
	Set point accuracy			1		%
	Deviation from linearity			0.5		%
$V_{ref}$	Reference output		2.475	2.5	2.525	V
$T_K$	Temperature coefficient				50	ppm/K
	Ripple	peak to peak		7.5	10	mVpp
	Short circuit protected				5	s
$HV_{out}$	Output voltage	order number 501385			-500	V
	Output current				1	mA

**European, International Sales:**


First Sensor AG  
 Peter-Behrens-Strasse 15  
 12459 Berlin  
 Germany  
 T +49 30 6399 2399  
 F +49 30 639923-752  
 sales.opto@first-sensor.com

**USA:**


First Sensor Inc.  
 5700 Corsa Avenue #105  
 Westlake Village  
 CA 91362 USA  
 T +1 818 706 3400  
 F +1 818 889 7053  
 sales.us@first-sensor.com

**Application hints**

**Technical drawing**

**Mechanical characteristics**

Parameter	Parameter	Unit
Length	45	mm
Width	29	mm
Height	15	mm
Volume	19.575	cm <sup>3</sup>
Weight	45	g
Case material	Tinplate	

**Pin connections**

Part	Symbol	Function
1	V <sub>control</sub>	Control voltage
2	V <sub>ref</sub>	Reference output
3	HV <sub>out</sub>	High voltage output
4	HV <sub>GND</sub>	High voltage ground
5	GND	Ground
6	V <sub>CC</sub>	Input voltage

Disclaimer: Due to our strive for continuous improvement, specifications are subject to change within our PCN policy according to JESD46C.

**European, International Sales:**


First Sensor AG  
 Peter-Behrens-Strasse 15  
 12459 Berlin  
 Germany  
 T +49 30 6399 2399  
 F +49 30 639923-752  
 sales.opto@first-sensor.com

**USA:**


First Sensor Inc.  
 5700 Corsa Avenue #105  
 Westlake Village  
 CA 91362 USA  
 T +1 818 706 3400  
 F +1 818 889 7053  
 sales.us@first-sensor.com

## X-ON Electronics

Largest Supplier of Electrical and Electronic Components

*Click to view similar products for [Isolated DC/DC Converters](#) category:*

*Click to view products by [First Sensor](#) manufacturer:*

Other Similar products are found below :

[ESM6D044440C05AAQ](#) [FMD15.24G](#) [PSL486-7LR](#) [Q48T30020-NBB0](#) [JAHW100Y1](#) [SPB05C-12](#) [SQ24S15033-PS0S](#) [19-130041](#) [CE-1003](#)  
[CE-1004](#) [GQ2541-7R](#) [RDS180245](#) [MAU228](#) [DFC15U48D15](#) [XGS-0512](#) [XGS-1205](#) [XGS-1212](#) [XGS-2412](#) [XGS-2415](#) [XKS-1215](#) [06322](#)  
[NCT1000N040R050B](#) [SPB05B-15](#) [SPB05C-15](#) [L-DA20](#) [DCG40-5G](#) [QME48T40033-PGB0](#) [XKS-2415](#) [XKS-2412](#) [XKS-2405](#) [XKS-1212](#)  
[XKS-1205](#) [XKS-0515](#) [XKS-0505](#) [XGS-2405](#) [XGS-1215](#) [XGS-0515](#) [PS9Z-6RM4](#) [73-551-5038I](#) [AK1601-9RT](#) [VI-R5022-EXWW](#) [PSC128-](#)  
[7iR](#) [RPS8-350ATX-XE](#) [DAS1004812](#) [VI-LJ11-iz](#) [PQA30-D24-S24-DH](#) [VI-M5F-CQ](#) [VI-LN2-EW](#) [VI-PJW01-CZY](#) [CK2540-9ERT](#)