

# 14

## Drills and bits

---

|  |     |   |
|--|-----|---|
| Hammer drill bit Quattric II             | 606 |    |
| Hammer drill bit SDS Plus II Pointer     | 610 |    |
| Masonry drill bit Pointer M              | 614 |    |
| Hammer drill bit SDS Max II / SDS Max IV | 615 |    |
| Hollow drill bit FHD                     | 618 |    |
| Stone drill bit D-S                      | 620 |  |
| Premium chisel FCP                       | 621 |  |
| Standard chisel                          | 622 |  |
| ProfiBit FPB                             | 623 |  |
| DiamondBit FDB                           | 624 |  |
| MaxxBit FMB                              | 625 |  |
| BitHolder FBH                            | 626 |  |
| BitSet                                   | 627 |  |
| Accessories for impact driver            | 628 |  |

---

# Hammer drill bit Quattric II

The expert for the best performance in reinforced concrete



## Applications

To create approval-compliant drill holes in:

- Reinforced concrete
- Concrete
- Solid brick
- Sand-lime brick

Also suitable for:

- Natural stone

## Advantages

- Carbide head (up to  $\varnothing$  10 mm) for long service life.
- Power shoulders for improved breakup performance in concrete.
- Massive main cutting edges for quick drilling progress.
- Reinforcement chamfers prevent jamming in the reinforcement.
- Centring tip for simple positioning.
- Wear mark for simple recognition of wear limit in accordance with PGM.
- Two-piece spiral for quick drilling progress and increased service life.

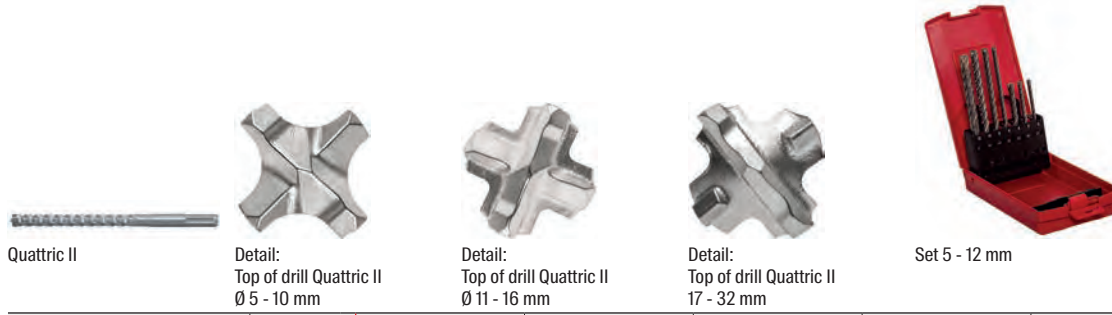
14

## Characteristics



## Technical data

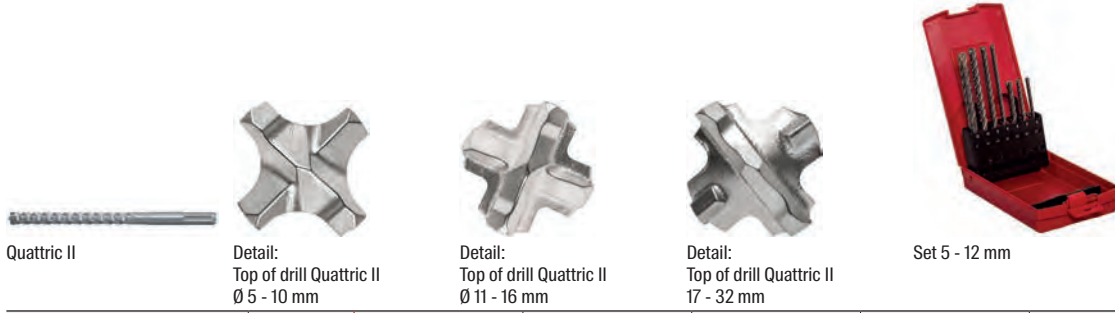
## Hammer drill bit Quattric II



| Item                    | Item No. | Drill hole diameter<br>$d_0$<br>[mm] | Working length<br>[mm] | Total length<br>$l$<br>[mm] | Type of packaging | Contents | Sales unit<br>[pcs] |
|-------------------------|----------|--------------------------------------|------------------------|-----------------------------|-------------------|----------|---------------------|
| Quattric II 5/50/115    | 549973   | 5                                    | 50                     | 115                         | Plastic clip      | 1        | 1                   |
| Quattric II 5/100/165   | 549974   | 5                                    | 100                    | 165                         | Plastic clip      | 1        | 1                   |
| Quattric II 5/150/215   | 544214   | 5                                    | 150                    | 215                         | Plastic clip      | 1        | 1                   |
| Quattric II 5,5/50/115  | 549971   | 5,5                                  | 50                     | 115                         | Plastic clip      | 1        | 1                   |
| Quattric II 5,5/100/165 | 549972   | 5,5                                  | 100                    | 165                         | Plastic clip      | 1        | 1                   |
| Quattric II 6/50/115    | 549983   | 6                                    | 50                     | 115                         | Plastic clip      | 1        | 1                   |
| Quattric II 6/100/165   | 549979   | 6                                    | 100                    | 165                         | Plastic clip      | 1        | 1                   |
| Quattric II 6/150/215   | 549981   | 6                                    | 150                    | 215                         | Plastic clip      | 1        | 1                   |
| Quattric II 6/200/265   | 549985   | 6                                    | 200                    | 265                         | Plastic clip      | 1        | 1                   |
| Quattric II 6/250/315   | 549986   | 6                                    | 250                    | 315                         | Plastic clip      | 1        | 1                   |
| Quattric II 6,5/100/165 | 549975   | 6,5                                  | 100                    | 165                         | Plastic clip      | 1        | 1                   |
| Quattric II 6,5/150/215 | 549976   | 6,5                                  | 150                    | 215                         | Plastic clip      | 1        | 1                   |
| Quattric II 6,5/200/265 | 549977   | 6,5                                  | 200                    | 265                         | Plastic clip      | 1        | 1                   |
| Quattric II 6,5/250/315 | 549978   | 6,5                                  | 250                    | 315                         | Plastic clip      | 1        | 1                   |
| Quattric II 8/50/115    | 549993   | 8                                    | 50                     | 115                         | Plastic clip      | 1        | 1                   |
| Quattric II 8/100/165   | 549988   | 8                                    | 100                    | 165                         | Plastic clip      | 1        | 1                   |
| Quattric II 8/150/215   | 549990   | 8                                    | 150                    | 215                         | Plastic clip      | 1        | 1                   |
| Quattric II 8/200/265   | 549994   | 8                                    | 200                    | 265                         | Plastic clip      | 1        | 1                   |
| Quattric II 8/250/315   | 549992   | 8                                    | 250                    | 315                         | Plastic clip      | 1        | 1                   |
| Quattric II 8/300/365   | 549995   | 8                                    | 300                    | 365                         | Plastic clip      | 1        | 1                   |
| Quattric II 8/400/465   | 549996   | 8                                    | 400                    | 465                         | Plastic clip      | 1        | 1                   |
| Quattric II 10/50/115   | 549928   | 10                                   | 50                     | 115                         | Plastic clip      | 1        | 1                   |
| Quattric II 10/100/165  | 549922   | 10                                   | 100                    | 165                         | Plastic clip      | 1        | 1                   |
| Quattric II 10/150/215  | 549925   | 10                                   | 150                    | 215                         | Plastic clip      | 1        | 1                   |
| Quattric II 10/200/265  | 549929   | 10                                   | 200                    | 265                         | Plastic clip      | 1        | 1                   |
| Quattric II 10/250/315  | 549927   | 10                                   | 250                    | 315                         | Plastic clip      | 1        | 1                   |
| Quattric II 10/300/365  | 544224   | 10                                   | 300                    | 365                         | Plastic clip      | 1        | 1                   |
| Quattric II 10/390/455  | 549930   | 10                                   | 390                    | 455                         | Plastic clip      | 1        | 1                   |
| Quattric II 10/540/600  | 544222   | 10                                   | 540                    | 600                         | Plastic clip      | 1        | 1                   |
| Quattric II 12/110/160  | 549932   | 12                                   | 110                    | 160                         | Plastic clip      | 1        | 1                   |
| Quattric II 12/160/210  | 549936   | 12                                   | 160                    | 210                         | Plastic clip      | 1        | 1                   |
| Quattric II 12/210/260  | 549934   | 12                                   | 210                    | 260                         | Plastic clip      | 1        | 1                   |
| Quattric II 12/260/310  | 549939   | 12                                   | 260                    | 310                         | Plastic clip      | 1        | 1                   |
| Quattric II 12/400/450  | 549935   | 12                                   | 400                    | 450                         | Plastic clip      | 1        | 1                   |
| Quattric II 12/550/600  | 544213   | 12                                   | 550                    | 600                         | Plastic clip      | 1        | 1                   |
| Quattric II 12/950/1000 | 549931   | 12                                   | 950                    | 1000                        | Plastic clip      | 1        | 1                   |
| Quattric II 14/110/160  | 549941   | 14                                   | 110                    | 160                         | Plastic clip      | 1        | 1                   |
| Quattric II 14/160/210  | 549944   | 14                                   | 160                    | 210                         | Plastic clip      | 1        | 1                   |
| Quattric II 14/210/260  | 549942   | 14                                   | 210                    | 260                         | Plastic clip      | 1        | 1                   |
| Quattric II 14/260/310  | 549945   | 14                                   | 260                    | 310                         | Plastic clip      | 1        | 1                   |
| Quattric II 14/400/450  | 549943   | 14                                   | 400                    | 450                         | Plastic clip      | 1        | 1                   |
| Quattric II 14/550/600  | 544223   | 14                                   | 550                    | 600                         | Plastic clip      | 1        | 1                   |
| Quattric II 14/950/1000 | 549940   | 14                                   | 950                    | 1000                        | Plastic clip      | 1        | 1                   |
| Quattric II 15/110/160  | 549946   | 15                                   | 110                    | 160                         | Plastic clip      | 1        | 1                   |
| Quattric II 15/160/210  | 549947   | 15                                   | 160                    | 210                         | Plastic clip      | 1        | 1                   |
| Quattric II 15/210/260  | 544215   | 15                                   | 210                    | 260                         | Plastic clip      | 1        | 1                   |

Technical data

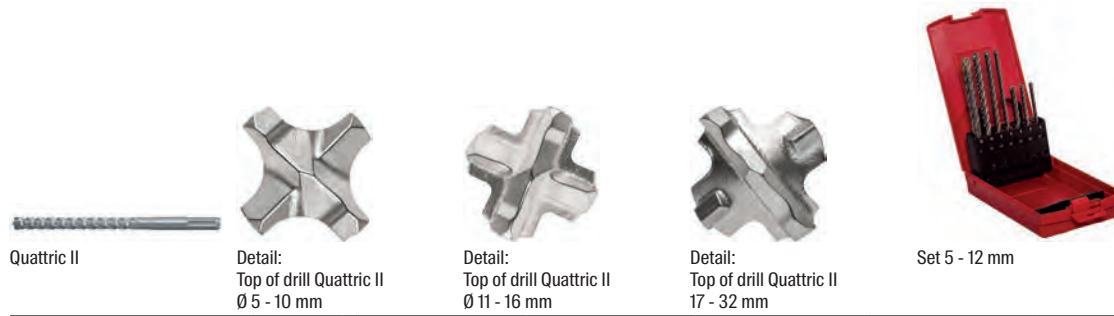
Hammer drill bit Quattric II



| Item                        | Item No. | Drill hole diameter<br>$d_0$<br>[mm] | Working length<br>[mm] | Total length<br>$l$<br>[mm] | Type of packaging | Contents | Sales unit<br>[pcs] |
|-----------------------------|----------|--------------------------------------|------------------------|-----------------------------|-------------------|----------|---------------------|
| Quattric II 16/110/160      | 549950   | 16                                   | 110                    | 160                         | Plastic clip      | 1        | 1                   |
| Quattric II 16/160/210      | 549951   | 16                                   | 160                    | 210                         | Plastic clip      | 1        | 1                   |
| Quattric II 16/210/260      | 549952   | 16                                   | 210                    | 260                         | Plastic clip      | 1        | 1                   |
| Quattric II 16/260/310      | 549953   | 16                                   | 260                    | 310                         | Plastic clip      | 1        | 1                   |
| Quattric II 16/400/450      | 549954   | 16                                   | 400                    | 450                         | Plastic clip      | 1        | 1                   |
| Quattric II 16/550/600      | 549955   | 16                                   | 550                    | 600                         | Plastic clip      | 1        | 1                   |
| Quattric II 16/950/1000     | 549948   | 16                                   | 950                    | 1000                        | Plastic clip      | 1        | 1                   |
| Quattric II 18/200/250      | 549956   | 18                                   | 200                    | 250                         | Plastic tube      | 1        | 1                   |
| Quattric II 18/400/450      | 549957   | 18                                   | 400                    | 450                         | Plastic tube      | 1        | 1                   |
| Quattric II 20/200/250      | 549958   | 20                                   | 200                    | 250                         | Plastic tube      | 1        | 1                   |
| Quattric II 20/400/450      | 549959   | 20                                   | 400                    | 450                         | Plastic tube      | 1        | 1                   |
| Quattric II 22/200/250      | 549960   | 22                                   | 200                    | 250                         | Plastic tube      | 1        | 1                   |
| Quattric II 22/400/450      | 549961   | 22                                   | 400                    | 450                         | Plastic tube      | 1        | 1                   |
| Quattric II 24/200/250      | 549962   | 24                                   | 200                    | 250                         | Plastic tube      | 1        | 1                   |
| Quattric II 24/400/450      | 549963   | 24                                   | 400                    | 450                         | Plastic tube      | 1        | 1                   |
| Quattric II 25/200/250      | 549964   | 25                                   | 200                    | 250                         | Plastic tube      | 1        | 1                   |
| Quattric II 25/400/450      | 549965   | 25                                   | 400                    | 450                         | Plastic tube      | 1        | 1                   |
| Quattric II 28/200/250      | 549966   | 28                                   | 200                    | 250                         | Plastic tube      | 1        | 1                   |
| Quattric II 28/400/450      | 549967   | 28                                   | 400                    | 450                         | Plastic tube      | 1        | 1                   |
| Quattric II 30/200/250      | 549968   | 30                                   | 200                    | 250                         | Plastic tube      | 1        | 1                   |
| Quattric II 30/400/450      | 549969   | 30                                   | 400                    | 450                         | Plastic tube      | 1        | 1                   |
| Quattric II 32/400/450      | 549970   | 32                                   | 400                    | 450                         | Plastic tube      | 1        | 1                   |
| Quattric II 6/50/115 XP5    | 549984   | 6                                    | 50                     | 115                         | Plastic tube      | 5        | 1                   |
| Quattric II 6/100/165 XP5   | 544225   | 6                                    | 100                    | 165                         | Plastic tube      | 5        | 1                   |
| Quattric II 6/150/215 XP5   | 549982   | 6                                    | 150                    | 215                         | Plastic tube      | 5        | 1                   |
| Quattric II 6/200/265 XP5   | 552131   | 6                                    | 200                    | 265                         | Plastic tube      | 5        | 1                   |
| Quattric II 6,5/100/165 XP5 | 544217   | 6,5                                  | 100                    | 165                         | Plastic tube      | 5        | 1                   |
| Quattric II 6,5/150/215 XP5 | 544218   | 6,5                                  | 150                    | 215                         | Plastic tube      | 5        | 1                   |
| Quattric II 6,5/200/265 XP5 | 544219   | 6,5                                  | 200                    | 265                         | Plastic tube      | 5        | 1                   |
| Quattric II 8/100/165 XP5   | 549989   | 8                                    | 100                    | 165                         | Plastic tube      | 5        | 1                   |
| Quattric II 8/150/215 XP5   | 549991   | 8                                    | 150                    | 215                         | Plastic tube      | 5        | 1                   |
| Quattric II 8/200/265 XP5   | 552132   | 8                                    | 200                    | 265                         | Plastic tube      | 5        | 1                   |
| Quattric II 10/100/165 XP5  | 549924   | 10                                   | 100                    | 165                         | Plastic tube      | 5        | 1                   |
| Quattric II 10/150/215 XP5  | 549926   | 10                                   | 150                    | 215                         | Plastic tube      | 5        | 1                   |
| Quattric II 10/200/265 XP5  | 552133   | 10                                   | 200                    | 265                         | Plastic tube      | 5        | 1                   |
| Quattric II 12/110/160 XP5  | 549933   | 12                                   | 110                    | 160                         | Plastic tube      | 5        | 1                   |
| Quattric II 12/160/210 XP5  | 549937   | 12                                   | 160                    | 210                         | Plastic tube      | 5        | 1                   |
| Quattric II 12/210/260 XP5  | 549938   | 12                                   | 210                    | 260                         | Plastic tube      | 5        | 1                   |
| Quattric II 12/260/310 XP5  | 552134   | 12                                   | 260                    | 310                         | Plastic tube      | 5        | 1                   |
| Quattric II 14/110/160 XP5  | 544220   | 14                                   | 110                    | 160                         | Plastic tube      | 5        | 1                   |
| Quattric II 14/160/210 XP5  | 544221   | 14                                   | 160                    | 210                         | Plastic tube      | 5        | 1                   |
| Quattric II 6/100/165 XP10  | 549980   | 6                                    | 100                    | 165                         | Plastic tube      | 10       | 1                   |
| Quattric II 6/150/215 XP10  | 544185   | 6                                    | 150                    | 215                         | Plastic tube      | 10       | 1                   |
| Quattric II 8/100/165 XP10  | 544216   | 8                                    | 100                    | 165                         | Plastic tube      | 10       | 1                   |
| Quattric II 8/150/215 XP10  | 544186   | 8                                    | 150                    | 215                         | Plastic tube      | 10       | 1                   |
| Quattric II 10/100/165 XP10 | 549923   | 10                                   | 100                    | 165                         | Plastic tube      | 10       | 1                   |

Technical data

Hammer drill bit Quattric II



| Item                        | Item No. | Drill hole diameter<br>$d_0$<br>[mm] | Working length<br>[mm] | Total length<br>$l$<br>[mm] | Type of packaging | Contents | Sales unit<br>[pcs] |
|-----------------------------|----------|--------------------------------------|------------------------|-----------------------------|-------------------|----------|---------------------|
| Quattric II 10/150/215 XP10 | 544187   | 10                                   | 150                    | 215                         | Plastic tube      | 10       | 1                   |
| Quattric II 12/110/160 XP10 | 552129   | 12                                   | 110                    | 160                         | Plastic tube      | 10       | 1                   |
| Quattric II 12/160/210 XP10 | 544188   | 12                                   | 160                    | 210                         | Plastic tube      | 10       | 1                   |
| Quattric II 12/210/260 XP10 | 552130   | 12                                   | 210                    | 260                         | Plastic tube      | 10       | 1                   |
| Quattric II Set 5 - 12 mm   | 553210   | 5                                    | 50                     | 115                         | Cassette          | 7        | 1                   |
|                             |          | 6                                    | 50                     | 115                         |                   |          |                     |
|                             |          | 6                                    | 100                    | 165                         |                   |          |                     |
|                             |          | 8                                    | 50                     | 115                         |                   |          |                     |
|                             |          | 8                                    | 100                    | 165                         |                   |          |                     |
|                             |          | 12                                   | 100                    | 165                         |                   |          |                     |
|                             |          | 12                                   | 110                    | 160                         |                   |          |                     |

# Hammer drill bit SDS Plus II Pointer

The two-flute cutter is setting new standards when it comes to drilling speed



## Applications

To create approval-compliant drill holes in:

- Concrete
- Solid brick
- Sand-lime brick

Also suitable for:

- Natural stone

## Advantages

- The optimised drill bit geometry enables fast drilling progress, reduced wear and less effort.
- The centring tip allows easy and precise drilling and prevents slipping on smooth surfaces.
- The “Power Breakers” on the drill bit head have a “destructive effect”. They create micro-cracks in the material and achieve a noticeably improved drilling speed.
- The larger reinforcement chamfers (+35%) guarantee that the drill acts in the best possible way when it hits concrete

reinforcements. This considerably reduces the risk of problems caused by drill jamming.

- The new Vario KVS spiral offers further advantages: The narrow crown width behind the drill bit head reduces friction and ensures stronger energy transfer during percussion drilling. The improved helix enables ideal transport of the drill residues. The spiral shape increases the stability and thus also the break resistance.

14

## Characteristics



## Technical data

## Hammer drill bit SDS Plus II Pointer



SDS Plus II Pointer



Detail: top of drill SDS Plus II Pointer

| Item                      | Item No. | Drill hole diameter<br>$d_0$<br>[mm] | Working length<br>[mm] | Total length<br>$l$<br>[mm] | Type of packaging | Contents<br>[pcs] | Sales unit<br>[pcs] |
|---------------------------|----------|--------------------------------------|------------------------|-----------------------------|-------------------|-------------------|---------------------|
| SDS Plus-V II 4/50/110    | 531753   | 4                                    | 50                     | 110                         | Plastic clip      | 1                 | 1                   |
| SDS Plus-V II 4/100/160   | 531754   | 4                                    | 100                    | 160                         | Plastic clip      | 1                 | 1                   |
| SDS Plus-V II 5/50/110    | 531755   | 5                                    | 50                     | 110                         | Plastic clip      | 1                 | 1                   |
| SDS Plus-V II 5/100/160   | 531756   | 5                                    | 100                    | 160                         | Plastic clip      | 1                 | 1                   |
| SDS Plus-V II 5/150/210   | 531757   | 5                                    | 150                    | 210                         | Plastic clip      | 1                 | 1                   |
| SDS Plus-V II 5/250/310   | 531759   | 5                                    | 250                    | 310                         | Plastic clip      | 1                 | 1                   |
| SDS Plus-V II 5,5/100/160 | 531761   | 5,5                                  | 100                    | 160                         | Plastic clip      | 1                 | 1                   |
| SDS Plus-V II 5,5/150/210 | 531762   | 5,5                                  | 150                    | 210                         | Plastic clip      | 1                 | 1                   |
| SDS Plus II 5,5/250/310   | 531763   | 5,5                                  | 250                    | 310                         | Plastic clip      | 1                 | 1                   |
| SDS Plus-V II 6/50/110    | 531765   | 6                                    | 50                     | 110                         | Plastic clip      | 1                 | 1                   |
| SDS Plus-V II 6/100/160   | 531766   | 6                                    | 100                    | 160                         | Plastic clip      | 1                 | 1                   |
| SDS Plus-V II 6/150/210   | 531767   | 6                                    | 150                    | 210                         | Plastic clip      | 1                 | 1                   |
| SDS Plus-V II 6/200/260   | 531768   | 6                                    | 200                    | 260                         | Plastic clip      | 1                 | 1                   |
| SDS Plus-V II 6/250/310   | 531769   | 6                                    | 250                    | 310                         | Plastic clip      | 1                 | 1                   |
| SDS Plus-V II 6,5/50/110  | 531770   | 6,5                                  | 50                     | 110                         | Plastic clip      | 1                 | 1                   |
| SDS Plus-V II 6,5/100/160 | 531771   | 6,5                                  | 100                    | 160                         | Plastic clip      | 1                 | 1                   |
| SDS Plus-V II 6,5/150/210 | 531772   | 6,5                                  | 150                    | 210                         | Plastic clip      | 1                 | 1                   |
| SDS Plus-V II 6,5/200/260 | 531773   | 6,5                                  | 200                    | 260                         | Plastic clip      | 1                 | 1                   |
| SDS Plus-V II 6,5/250/310 | 531774   | 6,5                                  | 250                    | 310                         | Plastic clip      | 1                 | 1                   |
| SDS Plus-V II 7/50/110    | 531775   | 7                                    | 50                     | 110                         | Plastic clip      | 1                 | 1                   |
| SDS Plus-V II 7/100/160   | 531776   | 7                                    | 100                    | 160                         | Plastic clip      | 1                 | 1                   |
| SDS Plus-V II 7/150/210   | 531777   | 7                                    | 150                    | 210                         | Plastic clip      | 1                 | 1                   |
| SDS Plus-V II 7/190/250   | 531778   | 7                                    | 190                    | 250                         | Plastic clip      | 1                 | 1                   |
| SDS Plus-V II 8/50/110    | 531779   | 8                                    | 50                     | 110                         | Plastic clip      | 1                 | 1                   |
| SDS Plus-V II 8/100/160   | 531780   | 8                                    | 100                    | 160                         | Plastic clip      | 1                 | 1                   |
| SDS Plus-V II 8/150/210   | 531781   | 8                                    | 150                    | 210                         | Plastic clip      | 1                 | 1                   |
| SDS Plus-V II 8/200/260   | 531782   | 8                                    | 200                    | 260                         | Plastic clip      | 1                 | 1                   |
| SDS Plus-V II 8/250/310   | 531783   | 8                                    | 250                    | 310                         | Plastic clip      | 1                 | 1                   |
| SDS Plus-V II 8/340/400   | 531784   | 8                                    | 340                    | 400                         | Plastic clip      | 1                 | 1                   |
| SDS Plus-V II 8/400/460   | 531785   | 8                                    | 400                    | 460                         | Plastic clip      | 1                 | 1                   |
| SDS Plus-V II 8/540/600   | 531786   | 8                                    | 540                    | 600                         | Plastic clip      | 1                 | 1                   |
| SDS Plus-V II 9/100/160   | 531788   | 9                                    | 100                    | 160                         | Plastic clip      | 1                 | 1                   |
| SDS Plus-V II 9/150/210   | 531789   | 9                                    | 150                    | 210                         | Plastic clip      | 1                 | 1                   |
| SDS Plus-V II 9,5/100/160 | 531790   | 9,5                                  | 100                    | 160                         | Plastic clip      | 1                 | 1                   |
| SDS Plus-V II 10/50/110   | 531791   | 10                                   | 50                     | 110                         | Plastic clip      | 1                 | 1                   |
| SDS Plus-V II 10/100/160  | 531792   | 10                                   | 100                    | 160                         | Plastic clip      | 1                 | 1                   |
| SDS Plus-V II 10/150/210  | 531793   | 10                                   | 150                    | 210                         | Plastic clip      | 1                 | 1                   |
| SDS Plus-V II 10/200/260  | 531794   | 10                                   | 200                    | 260                         | Plastic clip      | 1                 | 1                   |
| SDS Plus-V II 10/250/310  | 531795   | 10                                   | 250                    | 310                         | Plastic clip      | 1                 | 1                   |
| SDS Plus-V II 10/290/350  | 531796   | 10                                   | 290                    | 350                         | Plastic clip      | 1                 | 1                   |
| SDS Plus-V II 10/390/450  | 531797   | 10                                   | 390                    | 450                         | Plastic clip      | 1                 | 1                   |
| SDS Plus-V II 10/550/600  | 531798   | 10                                   | 540                    | 600                         | Plastic clip      | 1                 | 1                   |
| SDS Plus-V II 10/740/800  | 531799   | 10                                   | 740                    | 800                         | Plastic clip      | 1                 | 1                   |
| SDS Plus-V II 10/950/1000 | 531800   | 10                                   | 940                    | 1000                        | Plastic clip      | 1                 | 1                   |
| SDS Plus-V II 11/110/160  | 531801   | 11                                   | 100                    | 160                         | Plastic clip      | 1                 | 1                   |
| SDS Plus-V II 11/260/310  | 531802   | 11                                   | 260                    | 310                         | Plastic clip      | 1                 | 1                   |
| SDS Plus-V II 12/110/160  | 531803   | 12                                   | 110                    | 160                         | Plastic clip      | 1                 | 1                   |
| SDS Plus-V II 12/160/210  | 531804   | 12                                   | 160                    | 210                         | Plastic clip      | 1                 | 1                   |
| SDS Plus-V II 12/210/260  | 531805   | 12                                   | 210                    | 260                         | Plastic clip      | 1                 | 1                   |
| SDS Plus-V II 12/260/310  | 531806   | 12                                   | 260                    | 310                         | Plastic clip      | 1                 | 1                   |

Technical data

Hammer drill bit SDS Plus II Pointer



SDS Plus II Pointer

Detail: top of drill SDS Plus II Pointer

| Item                      | Item No. | Drill hole diameter<br>d <sub>0</sub><br>[mm] | Working length<br>[mm] | Total length<br>l<br>[mm] | Type of packaging | Contents<br>[pcs] | Sales unit<br>[pcs] |
|---------------------------|----------|---|------------------------|---------------------------|-------------------|-------------------|---------------------|
| SDS Plus-V II 12/310/360  | 531807   | 12  | 310                    | 360                       | Plastic clip      | 1                 | 1                   |
| SDS Plus-V II 12/400/450  | 531808   | 12  | 400                    | 450                       | Plastic clip      | 1                 | 1                   |
| SDS Plus-V II 12/550/600  | 531809   | 12  | 550                    | 600                       | Plastic clip      | 1                 | 1                   |
| SDS Plus-V II 12/950/1000 | 531810   | 12  | 950                    | 1000                      | Plastic clip      | 1                 | 1                   |
| SDS Plus-V II 13/110/160  | 531811   | 13  | 100                    | 160                       | Plastic clip      | 1                 | 1                   |
| SDS Plus-V II 13/160/210  | 531812   | 13  | 160                    | 210                       | Plastic clip      | 1                 | 1                   |
| SDS Plus-V II 13/210/260  | 531813   | 13  | 210                    | 260                       | Plastic clip      | 1                 | 1                   |
| SDS Plus-V II 13/260/310  | 531814   | 13  | 260                    | 310                       | Plastic clip      | 1                 | 1                   |
| SDS Plus-V II 14/110/160  | 531815   | 14  | 110                    | 160                       | Plastic clip      | 1                 | 1                   |
| SDS Plus-V II 14/160/210  | 531816   | 14  | 160                    | 210                       | Plastic clip      | 1                 | 1                   |
| SDS Plus-V II 14/210/260  | 531817   | 14  | 210                    | 260                       | Plastic clip      | 1                 | 1                   |
| SDS Plus-V II 14/260/310  | 531818   | 14  | 260                    | 310                       | Plastic clip      | 1                 | 1                   |
| SDS Plus-V II 14/400/450  | 531819   | 14  | 400                    | 450                       | Plastic clip      | 1                 | 1                   |
| SDS Plus-V II 14/550/600  | 531820   | 14  | 550                    | 600                       | Plastic clip      | 1                 | 1                   |
| SDS Plus-V II 14/950/1000 | 531821   | 14  | 950                    | 1000                      | Plastic clip      | 1                 | 1                   |
| SDS Plus-V II 15/110/160  | 531822   | 15  | 110                    | 160                       | Plastic clip      | 1                 | 1                   |
| SDS Plus-V II 15/160/210  | 531823   | 15  | 160                    | 210                       | Plastic clip      | 1                 | 1                   |
| SDS Plus-V II 15/210/260  | 531824   | 15  | 210                    | 260                       | Plastic clip      | 1                 | 1                   |
| SDS Plus-V II 15/400/450  | 531825   | 15  | 400                    | 450                       | Plastic clip      | 1                 | 1                   |
| SDS Plus-V II 16/110/160  | 531826   | 16  | 110                    | 160                       | Plastic clip      | 1                 | 1                   |
| SDS Plus-V II 16/160/210  | 531827   | 16  | 160                    | 210                       | Plastic clip      | 1                 | 1                   |
| SDS Plus-V II 16/210/260  | 531828   | 16  | 210                    | 260                       | Plastic clip      | 1                 | 1                   |
| SDS Plus-V II 16/260/310  | 531829   | 16  | 260                    | 310                       | Plastic clip      | 1                 | 1                   |
| SDS Plus-V II 16/400/450  | 531830   | 16  | 400                    | 450                       | Plastic clip      | 1                 | 1                   |
| SDS Plus-V II 16/550/600  | 531831   | 16  | 550                    | 600                       | Plastic clip      | 1                 | 1                   |
| SDS Plus-V II 16/750/800  | 531832   | 16  | 750                    | 800                       | Plastic clip      | 1                 | 1                   |
| SDS Plus-V II 16/950/1000 | 531833   | 16  | 950                    | 1000                      | Plastic clip      | 1                 | 1                   |
| SDS Plus-V II 17/160/210  | 531834   | 17  | 160                    | 210                       | Plastic clip      | 1                 | 1                   |
| SDS Plus-V II 17/400/450  | 531835   | 17  | 400                    | 450                       | Plastic clip      | 1                 | 1                   |
| SDS Plus-V II 18/150/200  | 531836   | 18  | 150                    | 200                       | Plastic clip      | 1                 | 1                   |
| SDS Plus-V II 18/250/300  | 531837   | 18  | 250                    | 300                       | Plastic clip      | 1                 | 1                   |
| SDS Plus-V II 18/400/450  | 531838   | 18  | 400                    | 450                       | Plastic clip      | 1                 | 1                   |
| SDS Plus-V II 18/550/600  | 531839   | 18  | 550                    | 600                       | Plastic clip      | 1                 | 1                   |
| SDS Plus-V II 18/950/1000 | 531840   | 18  | 950                    | 1000                      | Plastic clip      | 1                 | 1                   |
| SDS Plus-V II 19/150/200  | 531841   | 19  | 150                    | 200                       | Plastic clip      | 1                 | 1                   |
| SDS Plus-V II 19/400/450  | 531842   | 19  | 400                    | 450                       | Plastic clip      | 1                 | 1                   |
| SDS Plus-V II 20/150/200  | 531843   | 20  | 150                    | 200                       | Plastic clip      | 1                 | 1                   |
| SDS Plus-V II 20/250/300  | 531844   | 20  | 250                    | 300                       | Plastic clip      | 1                 | 1                   |
| SDS Plus-V II 20/400/450  | 531845   | 20  | 400                    | 450                       | Plastic clip      | 1                 | 1                   |
| SDS Plus-V II 20/550/600  | 531846   | 20  | 550                    | 600                       | Plastic clip      | 1                 | 1                   |
| SDS Plus-V II 20/950/1000 | 531847   | 20  | 950                    | 1000                      | Plastic clip      | 1                 | 1                   |
| SDS Plus-V II 22/200/250  | 531849   | 22  | 200                    | 250                       | Plastic clip      | 1                 | 1                   |
| SDS Plus-V II 22/400/450  | 531850   | 22  | 400                    | 450                       | Plastic clip      | 1                 | 1                   |
| SDS Plus-V II 22/550/600  | 531851   | 22  | 550                    | 600                       | Plastic clip      | 1                 | 1                   |
| SDS Plus-V II 22/950/1000 | 531852   | 22  | 950                    | 1000                      | Plastic clip      | 1                 | 1                   |
| SDS Plus-V II 24/200/250  | 531853   | 24  | 200                    | 250                       | Plastic clip      | 1                 | 1                   |
| SDS Plus-V II 24/400/450  | 531854   | 24  | 400                    | 450                       | Plastic clip      | 1                 | 1                   |
| SDS Plus-V II 25/200/250  | 531855   | 25  | 200                    | 250                       | Plastic clip      | 1                 | 1                   |
| SDS Plus-V II 25/400/450  | 531856   | 25  | 400                    | 450                       | Plastic clip      | 1                 | 1                   |
| SDS Plus-V II 25/550/600  | 531857   | 25  | 550                    | 600                       | Plastic clip      | 1                 | 1                   |



## Technical data

### Hammer drill bit SDS Plus II Pointer



SDS Plus II Pointer



Detail: top of drill SDS Plus II Pointer

| Item                          | Item No. | Drill hole diameter<br>$d_0$<br>[mm] | Working length<br>[mm] | Total length<br>$l$<br>[mm] | Type of packaging | Contents<br>[pcs] | Sales unit<br>[pcs] |
|-------------------------------|----------|--------------------------------------|------------------------|-----------------------------|-------------------|-------------------|---------------------|
| SDS Plus-V II 26/200/250      | 531858   | 26                                   | 200                    | 250                         | Plastic clip      | 1                 | 1                   |
| SDS Plus-V II 26/400/450      | 531859   | 26                                   | 400                    | 450                         | Plastic clip      | 1                 | 1                   |
| SDS Plus-V II 6/50/110 XP10   | 531860   | 6                                    | 50                     | 110                         | Plastic tube      | 10                | 1                   |
| SDS Plus-V II 6/100/160 XP10  | 531861   | 6                                    | 100                    | 160                         | Plastic tube      | 10                | 1                   |
| SDS Plus-V II 8/100/160 XP10  | 531862   | 8                                    | 100                    | 160                         | Plastic tube      | 10                | 1                   |
| SDS Plus-V II 8/150/210 XP10  | 531863   | 8                                    | 150                    | 210                         | Plastic tube      | 10                | 1                   |
| SDS Plus-V II 10/100/160 XP10 | 531864   | 10                                   | 100                    | 160                         | Plastic tube      | 10                | 1                   |
| SDS Plus-V II 10/150/210 XP10 | 531865   | 10                                   | 150                    | 210                         | Plastic tube      | 10                | 1                   |
| SDS Plus-V II 10/200/260 XP10 | 531866   | 10                                   | 200                    | 260                         | Plastic tube      | 10                | 1                   |
| SDS Plus-V II 10/250/310 XP10 | 531867   | 10                                   | 250                    | 310                         | Plastic tube      | 10                | 1                   |
| SDS Plus-V II 12/110/160 XP10 | 531868   | 12                                   | 110                    | 160                         | Plastic tube      | 10                | 1                   |
| SDS Plus-V II 12/160/210 XP10 | 531869   | 12                                   | 160                    | 210                         | Plastic tube      | 10                | 1                   |
| SDS Plus-V II 12/210/260 XP10 | 531870   | 12                                   | 210                    | 260                         | Plastic tube      | 10                | 1                   |

# Masonry drill bit Pointer M

The perfect drill bit for all perforated building materials



## Applications

To create drill holes in:

- Hollow bricks
- Aerated concrete
- Perforated sand-lime bricks

Ideal for:

- Frame-fixings or ETICS systems e.g. SXRL, FIS HK, fischer Thermax, EWl and VBS-M

## Advantages

- Shortened SDS-Plus shank reduces the impact of the machine on the drill and prevents possible damage to the substrate (it is recommended to use the drill bit without impact).
- Precise and accurate drill holes without damage to the substrate thanks to shortened SDS-Plus shank to guarantee correct fixing with increased load capacities in all types of perforated building materials.
- Diamond sharpened carbide tip with advanced cutting edges ensure fast and safe drilling progress in different materials.
- Large spiral flutes for optimal removal of dust.

14

## Characteristics



## Technical data

### Masonry drill bit Pointer M

Pointer M

| Item                 | Item No. | Drill hole diameter<br>$d_0$<br>[mm] | Working length<br>[mm] | Total length<br>$l$<br>[mm] | Type of packaging | Contents<br>[pcs] | Sales unit<br>[pcs] |
|----------------------|----------|--------------------------------------|------------------------|-----------------------------|-------------------|-------------------|---------------------|
| Pointer M 6/350/410  | 546204   | 6                                    | 350                    | 410                         | Pouch             | 1                 | 1                   |
| Pointer M 8/200/260  | 544382   | 8                                    | 200                    | 260                         | Pouch             | 1                 | 1                   |
| Pointer M 8/100/400  | 517690   | 8                                    | 100                    | 400                         | Pouch             | 1                 | 1                   |
| Pointer M 10/200/260 | 543630   | 10                                   | 200                    | 260                         | Pouch             | 1                 | 1                   |
| Pointer M 12/200/260 | 543631   | 12                                   | 200                    | 260                         | Pouch             | 1                 | 1                   |
| Pointer M 14/200/260 | 543632   | 14                                   | 200                    | 260                         | Pouch             | 1                 | 1                   |
| Pointer M 16/200/260 | 543633   | 16                                   | 200                    | 260                         | Pouch             | 1                 | 1                   |
| Pointer M 16/100/400 | 543634   | 16                                   | 100                    | 400                         | Pouch             | 1                 | 1                   |
| Pointer M 18/350/410 | 546205   | 18                                   | 350                    | 410                         | Plastic tube      | 1                 | 1                   |
| Pointer M 20/100/400 | 543635   | 20                                   | 100                    | 400                         | Plastic tube      | 1                 | 1                   |
| Pointer M 22/350/410 | 546206   | 22                                   | 350                    | 410                         | Plastic tube      | 1                 | 1                   |

# Hammer drill bit SDS Max II / SDS Max IV

The hammer drill bits with SDS Max drill chuck



## Applications

To create approval-compliant drill holes in:

- Reinforced concrete (SDS Max IV)
- Concrete
- Solid brick
- Sand-lime brick

Also suitable for:

- Natural stone

## Advantages

- The SDS Max drill chuck ensures optimum transfer of force and allows for quick drilling progress for large volume drill holes.
- The drill bit head with four cutting edges prevents jamming in the concrete reinforcement.
- The quadruple flute reliably transports

the drilling dust from the drill hole, thus reducing wear.

- The core-reinforced flute ensures maximum transfer of energy, and guarantees a low-vibration drilling.
- The PGM®-compliant cutting element guarantees perfect-fit drill holes to fulfil the highest safety requirements.

## Characteristics

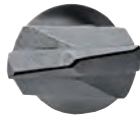


Technical data

Hammer drill bit SDS Max II / SDS Max IV



Hammerdrill SDS Max II and IV



Detail: Top of drill SDS Max II Ø 12 - 15 mm



Detail: Top of drill SDS Max IV from Ø 16 mm

| Item                    | Item No. | Drill hole diameter<br>d <sub>0</sub><br>[mm] | Working length<br>[mm] | Total length<br>l<br>[mm] | Type of packaging | Contents<br>[pcs] | Sales unit<br>[pcs] |
|-------------------------|----------|---|------------------------|---------------------------|-------------------|-------------------|---------------------|
| SDS Max II 12/200/340   | 504188   | 12  | 200                    | 340                       | Plastic tube      | 1                 | 1                   |
| SDS Max IV 12/200/340   | 524556   | 12  | 200                    | 340                       | Plastic tube      | 1                 | 1                   |
| SDS Max II 12/400/540   | 504189   | 12  | 400                    | 540                       | Plastic tube      | 1                 | 1                   |
| SDS Max IV 12/400/540   | 524557   | 12  | 400                    | 540                       | Plastic tube      | 1                 | 1                   |
| SDS Max II 14/200/340   | 504192   | 14  | 200                    | 340                       | Plastic tube      | 1                 | 1                   |
| SDS Max IV 14/200/340   | 524559   | 14  | 200                    | 340                       | Plastic tube      | 1                 | 1                   |
| SDS Max II 14/400/540   | 504194   | 14  | 400                    | 540                       | Plastic tube      | 1                 | 1                   |
| SDS Max IV 14/400/540   | 524560   | 14  | 400                    | 540                       | Plastic tube      | 1                 | 1                   |
| SDS Max II 15/200/340   | 504196   | 15  | 200                    | 340                       | Plastic tube      | 1                 | 1                   |
| SDS Max IV 15/400/540   | 524562   | 15  | 400                    | 540                       | Plastic tube      | 1                 | 1                   |
| SDS Max IV 16/200/340   | 504198   | 16  | 200                    | 340                       | Plastic tube      | 1                 | 1                   |
| SDS Max IV 16/400/540   | 504199   | 16  | 400                    | 540                       | Plastic tube      | 1                 | 1                   |
| SDS Max IV 16/800/920   | 504200   | 16  | 800                    | 920                       | Plastic tube      | 1                 | 1                   |
| SDS Max IV 16/1200/1320 | 504206   | 16  | 1200                   | 1320                      | Plastic tube      | 1                 | 1                   |
| SDS Max IV 18/200/340   | 504207   | 18  | 200                    | 340                       | Plastic tube      | 1                 | 1                   |
| SDS Max IV 18/400/540   | 504208   | 18  | 400                    | 540                       | Plastic tube      | 1                 | 1                   |
| SDS Max IV 18/800/940   | 504209   | 18  | 800                    | 940                       | Plastic tube      | 1                 | 1                   |
| SDS Max IV 18/1200/1320 | 504213   | 18  | 1200                   | 1320                      | Flexipack         | 1                 | 1                   |
| SDS Max IV 20/200/320   | 504214   | 20  | 200                    | 320                       | Plastic tube      | 1                 | 1                   |
| SDS Max IV 20/400/520   | 504217   | 20  | 400                    | 520                       | Plastic tube      | 1                 | 1                   |
| SDS Max IV 20/800/920   | 504222   | 20  | 800                    | 920                       | Plastic tube      | 1                 | 1                   |
| SDS Max IV 20/1200/1320 | 504223   | 20  | 1200                   | 1320                      | Flexipack         | 1                 | 1                   |
| SDS Max IV 22/200/320   | 504224   | 22  | 200                    | 320                       | Plastic tube      | 1                 | 1                   |
| SDS Max IV 22/400/520   | 504225   | 22  | 400                    | 520                       | Plastic tube      | 1                 | 1                   |
| SDS Max IV 22/800/920   | 504226   | 22  | 800                    | 920                       | Plastic tube      | 1                 | 1                   |
| SDS Max IV 22/1200/1320 | 504227   | 22  | 1200                   | 1320                      | Flexipack         | 1                 | 1                   |
| SDS Max IV 24/200/320   | 504228   | 24  | 200                    | 320                       | Plastic tube      | 1                 | 1                   |
| SDS Max IV 24/400/520   | 504229   | 24  | 400                    | 520                       | Plastic tube      | 1                 | 1                   |
| SDS Max IV 25/200/320   | 504235   | 25  | 200                    | 320                       | Plastic tube      | 1                 | 1                   |
| SDS Max IV 25/400/520   | 504236   | 25  | 400                    | 520                       | Plastic tube      | 1                 | 1                   |
| SDS Max IV 25/800/920   | 504237   | 25  | 800                    | 920                       | Plastic tube      | 1                 | 1                   |
| SDS Max IV 25/1200/1320 | 504238   | 25  | 1200                   | 1320                      | Flexipack         | 1                 | 1                   |
| SDS Max IV 25/2000/2120 | 098287   | 25  | 2000                   | 2120                      | Flexipack         | 1                 | 1                   |
| SDS Max IV 26/400/520   | 504239   | 26  | 400                    | 520                       | Plastic tube      | 1                 | 1                   |
| SDS Max IV 28/250/370   | 504240   | 28  | 250                    | 370                       | Plastic tube      | 1                 | 1                   |
| SDS Max IV 28/450/570   | 504241   | 28  | 450                    | 570                       | Plastic tube      | 1                 | 1                   |
| SDS Max IV 28/550/670   | 504242   | 28  | 550                    | 670                       | Plastic tube      | 1                 | 1                   |
| SDS Max IV 28/800/920   | 504243   | 28  | 800                    | 920                       | Plastic tube      | 1                 | 1                   |
| SDS Max IV 30/250/370   | 504245   | 30  | 250                    | 370                       | Plastic tube      | 1                 | 1                   |
| SDS Max IV 30/450/570   | 504246   | 30  | 450                    | 570                       | Plastic tube      | 1                 | 1                   |
| SDS Max IV 30/800/920   | 057779   | 30  | 800                    | 920                       | Plastic tube      | 1                 | 1                   |
| SDS Max IV 32/450/570   | 504248   | 32  | 450                    | 570                       | Plastic tube      | 1                 | 1                   |
| SDS Max IV 32/800/920   | 504249   | 32  | 800                    | 920                       | Plastic tube      | 1                 | 1                   |
| SDS Max IV 35/250/370   | 504251   | 35  | 250                    | 370                       | Plastic tube      | 1                 | 1                   |
| SDS Max IV 35/450/570   | 504256   | 35  | 450                    | 570                       | Plastic tube      | 1                 | 1                   |
| SDS Max IV 35/550/670   | 504257   | 35  | 550                    | 670                       | Plastic tube      | 1                 | 1                   |
| SDS Max IV 35/800/920   | 504258   | 35  | 800                    | 920                       | Plastic tube      | 1                 | 1                   |
| SDS Max IV 35/1200/1320 | 504259   | 35  | 1200                   | 1320                      | Flexipack         | 1                 | 1                   |

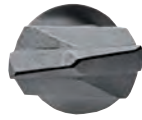
1) delivery on request

Technical data

Hammer drill bit SDS Max II / SDS Max IV



Hammerdrill SDS Max II and IV



Detail:  
Top of drill SDS Max II  
Ø 12 - 15 mm



Detail:  
Top of drill SDS Max IV  
from Ø 16 mm

| Item                    | Item No.             | Drill hole diameter<br>$d_0$<br>[mm] | Working length<br>[mm] | Total length<br>$l$<br>[mm] | Type of packaging | Contents<br>[pcs] | Sales unit<br>[pcs] |
|-------------------------|----------------------|--------------------------------------|------------------------|-----------------------------|-------------------|-------------------|---------------------|
| SDS Max IV 35/1620/1740 | 040191               | 35                                   | 1620                   | 1740                        | Flexipack         | 1                 | 1                   |
| SDS Max IV 35/2000/2140 | 040192 <sup>1)</sup> | 35                                   | 2000                   | 2140                        | Flexipack         | 1                 | 1                   |
| SDS Max IV 38/450/570   | 504268               | 38                                   | 450                    | 570                         | Plastic tube      | 1                 | 1                   |
| SDS Max IV 40/250/370   | 504269               | 40                                   | 250                    | 370                         | Plastic tube      | 1                 | 1                   |
| SDS Max IV 40/450/570   | 504270               | 40                                   | 450                    | 570                         | Plastic tube      | 1                 | 1                   |
| SDS Max IV 40/800/920   | 504271               | 40                                   | 800                    | 920                         | Plastic tube      | 1                 | 1                   |
| SDS Max IV 40/1200/1320 | 504272               | 40                                   | 1200                   | 1320                        | Flexipack         | 1                 | 1                   |
| SDS Max IV 45/450/570   | 504274               | 45                                   | 450                    | 570                         | Tube              | 1                 | 1                   |
| SDS Max IV 45/800/920   | 504275               | 45                                   | 800                    | 920                         | Tube              | 1                 | 1                   |
| SDS Max IV 52/450/570   | 504276               | 52                                   | 450                    | 570                         | Tube              | 1                 | 1                   |

1) delivery on request

# Hollow drill bit FHD

Hollow drill bit for drilling with low dust as well as for efficient and approved anchoring



## Applications

To create approval-compliant drill holes in:

- Reinforced concrete
  - Concrete
- Also suitable for:
- Solid brick
  - Solid sand-lime brick
  - Natural stone

## Advantages

- Drilling and drill hole cleaning in one single step saves the normal cleaning of chemical and mechanical anchoring when the hollow drill bit is regulated by their respective approvals. This saves up to 55% of the complete drill hole creation process.
- The drill hole will be cleaned thoroughly guaranteeing a secure fixing (drilling dust reduces performance of fixing materials).
- Reducing the drill dust prevents jamming when drilling therefore provides a faster and frictionless drilling progress.
- Immediate extraction of drilling dust at the drill tip for a clean and healthy work place.
- Centering tip allows for accurate positioning on uneven surfaces reducing slip.

14

## Characteristics



## Technical data

### Hollow drill bit FHD



FHD


 Detail:  
 Top of drill FHD  
 Ø 12 - 14 mm

 Detail:  
 Top of drill FHD  
 Ø 16 - 18 mm  
 Top of drill FHD Max  
 Ø 16 - 35 mm

| Item               | Item No. | Drill hole diameter<br>$d_0$<br>[mm] | Working length<br>[mm] | Total length<br>$l$<br>[mm] | Type of packaging | Contents | Sales unit<br>[pcs] |
|--------------------|----------|--------------------------------------|------------------------|-----------------------------|-------------------|----------|---------------------|
| FHD 12/200/330     | 546597   | 12                                   | 200                    | 330                         | Plastic clip      | 1        | 1                   |
| FHD 14/250/380     | 546598   | 14                                   | 250                    | 380                         | Plastic clip      | 1        | 1                   |
| FHD 16/250/380     | 546599   | 16                                   | 250                    | 380                         | Plastic clip      | 1        | 1                   |
| FHD 18/320/450     | 546600   | 18                                   | 320                    | 450                         | Plastic clip      | 1        | 1                   |
| FHD Max 16/400/620 | 546601   | 16                                   | 400                    | 620                         | Plastic clip      | 1        | 1                   |
| FHD Max 18/400/620 | 546602   | 18                                   | 400                    | 620                         | Plastic clip      | 1        | 1                   |
| FHD Max 20/400/620 | 546603   | 20                                   | 400                    | 620                         | Plastic clip      | 1        | 1                   |
| FHD Max 24/400/620 | 546604   | 24                                   | 400                    | 620                         | Plastic clip      | 1        | 1                   |
| FHD Max 28/600/820 | 546605   | 28                                   | 600                    | 820                         | Plastic clip      | 1        | 1                   |
| FHD Max 30/600/820 | 546606   | 30                                   | 600                    | 820                         | Plastic clip      | 1        | 1                   |
| FHD Max 35/650/870 | 546607   | 35                                   | 650                    | 870                         | Plastic clip      | 1        | 1                   |

# Stone drill bit D-S

Universal masonry drill bit for impact and rotary drilling in masonry and natural stone



## Applications

- For regular drilling especially in stone and masonry

## Advantages

- 130° carbide cutting edge for long service life, very heat resistant.
- Robust version in accordance with DIN 8039, roll forged.
- Optimum drill dust removal through special spiral geometry.
- Suitable for rotary and impact drilling.

## Characteristics

14



## Technical data

Stone drill bit D-S



D-S

| Item                   | Item No. | Drill hole diameter<br>$d_0$<br>[mm] | Working length<br>[mm] | Total length<br>$l$<br>[mm] | Type of packaging | Contents<br>[pcs] | Sales unit<br>[pcs] |
|------------------------|----------|--------------------------------------|------------------------|-----------------------------|-------------------|-------------------|---------------------|
| D-S HM 3,0x30/60 PE    | 542976   | 3                                    | 30                     | 60                          | Pouch             | 1                 | 1                   |
| D-S HM 4,0x38/75 PE    | 542977   | 4                                    | 38                     | 75                          | Pouch             | 1                 | 1                   |
| D-S HM 5,0x44/85 PE    | 542978   | 5                                    | 44                     | 85                          | Pouch             | 1                 | 1                   |
| D-S HM 6,0x54/100 PE   | 542979   | 6                                    | 54                     | 100                         | Pouch             | 1                 | 1                   |
| D-S HM 6,0x135/200 PE  | 551390   | 6                                    | 135                    | 200                         | Pouch             | 1                 | 1                   |
| D-S HM 7,0x54/100 PE   | 542980   | 7                                    | 54                     | 100                         | Pouch             | 1                 | 1                   |
| D-S HM 8,0x67/120 PE   | 542981   | 8                                    | 67                     | 120                         | Pouch             | 1                 | 1                   |
| D-S HM 8,0x135/200 PE  | 542991   | 8                                    | 135                    | 200                         | Pouch             | 1                 | 1                   |
| D-S HM 10,0x135/200 PE | 542992   | 10                                   | 135                    | 200                         | Pouch             | 1                 | 1                   |
| D-S HM 10,0x67/120 PE  | 542982   | 10                                   | 67                     | 120                         | Pouch             | 1                 | 1                   |
| D-S HM 12,0x85/150 PE  | 542983   | 12                                   | 85                     | 150                         | Pouch             | 1                 | 1                   |
| D-S HM 12,0x135/200 PE | 542993   | 12                                   | 135                    | 200                         | Pouch             | 1                 | 1                   |
| D-S HM 13,0x85/150 PE  | 542984   | 13                                   | 85                     | 150                         | Pouch             | 1                 | 1                   |
| D-S HM 14,0x85/150 PE  | 542985   | 14                                   | 85                     | 150                         | Pouch             | 1                 | 1                   |
| D-S HM 15,0x85/150 PE  | 542986   | 15                                   | 85                     | 150                         | Pouch             | 1                 | 1                   |
| D-S HM 16,0x85/150 PE  | 542987   | 16                                   | 85                     | 150                         | Pouch             | 1                 | 1                   |
| D-S HM 18,0x100/160 PE | 542988   | 18                                   | 100                    | 160                         | Pouch             | 1                 | 1                   |
| D-S HM 20,0x100/160 PE | 542989   | 20                                   | 100                    | 160                         | Pouch             | 1                 | 1                   |
| D-S Set 4-10mm 5pcs P  | 543025   | 4-5-6-8-10                           | —                      | —                           | Plastic cassette  | 5                 | 1                   |
| D-S Set 3-10mm 8pcs P  | 543027   | 3-10                                 | —                      | —                           | Plastic cassette  | 8                 | 1                   |



# Premium chisel FCP

Premium Chisel with SDS Plus and SDS Max shank for maximum performance and lifetime



## Applications

Suitable for creating holes, slots and installation paths as well as breakthroughs in:

- Concrete
- Masonry
- Natural stone

## Advantages

- Extended working tip in comparison to the standard chisel for an increased lifetime.
- Self-sharpening design for economical working and reducing downtime.
- Advanced 'jam protection' for reduced friction.
- Specially designed working tip increases the performance and ensures a high removal of material.

## Characteristics



14

## Technical data

### Premium chisel FCP



| Item                 | Item No. | Type                 | Length<br>L<br>[mm] | Width<br>B<br>[mm] | Contents<br>[pcs] | Sales unit<br>[pcs] |
|----------------------|----------|----------------------|---------------------|--------------------|-------------------|---------------------|
| FCP Pointed 250      | 546314   | Pointed              | 250                 | —                  | 1                 | 1                   |
| FCP Flat 20/250      | 546315   | Flat                 | 250                 | 20                 | 1                 | 1                   |
| FCP Spade 40/250     | 546316   | Spade                | 250                 | 40                 | 1                 | 1                   |
| FCP Max Pointed 400  | 546317   | Pointed              | 400                 | —                  | 1                 | 1                   |
| FCP Max Flat 25/400  | 546318   | Flat                 | 400                 | 25                 | 1                 | 1                   |
| FCP Max Spade 50/380 | 546319   | Spade                | 380                 | 50                 | 1                 | 1                   |
| FCP Set              | 546320   | Pointed, Flat, Spade | —                   | —                  | 3                 | 1                   |
| FCP Max Set          | 546321   | Pointed, Flat, Spade | —                   | —                  | 3                 | 1                   |

# Standard chisel



## Applications

Suitable for creating holes, slots and installation paths in:

- Concrete
- Masonry
- Natural stone

## Advantages

- The SDS Plus and SDS Max drill chuck for the chisel enable the use with professional hammer drilling machines and ensure proven and safe transfer of force.
- The use of a high quality, specially hardened steel with surface protection increases the life span of the tools.
- The high oscillation endurance allows for high work comfort and contributes to the achievement of clean results.

## Characteristics

14



## Technical data

| Standard chisel              |          |              |                     |                    |                   |                     |
|------------------------------|----------|--------------|---------------------|--------------------|-------------------|---------------------|
|                              |          |              |                     |                    |                   |                     |
|                              |          | Type         | Length<br>L<br>[mm] | Width<br>B<br>[mm] | Contents<br>[pcs] | Sales unit<br>[pcs] |
| Item                         | Item No. |              |                     |                    |                   |                     |
| SDS Plus and SDS Max Pointed |          |              |                     |                    |                   |                     |
| SDS Plus Pointed 250         | 504277   | Pointed      | 250                 | 12                 | 1                 | 1                   |
| SDS Max Pointed 280          | 504281   | Pointed      | 280                 | 16                 | 1                 | 1                   |
| SDS Max Pointed 400          | 504282   | Pointed      | 400                 | 20                 | 1                 | 1                   |
| SDS Max Pointed 600          | 504283   | Pointed      | 600                 | 27                 | 1                 | 1                   |
| SDS Plus Flat 20/250         | 504278   | Flat         | 250                 | 20                 | 1                 | 1                   |
| SDS Max Flat 25/280          | 504284   | Flat         | 280                 | 25                 | 1                 | 1                   |
| SDS Max Flat 25/400          | 504286   | Flat         | 400                 | 25                 | 1                 | 1                   |
| SDS Max Flat 25/600          | 504287   | Flat         | 600                 | 25                 | 1                 | 1                   |
| SDS Plus Scaling 40/250      | 504279   | Spade        | 250                 | 40                 | 1                 | 1                   |
| SDS Max Scaling 50/400       | 504288   | Spade        | 400                 | 50                 | 1                 | 1                   |
| SDS Max Scaling 80/300       | 504290   | Spade        | 300                 | 80                 | 1                 | 1                   |
| SDS Max Scaling 115/350      | 504291   | Spade        | 350                 | 115                | 1                 | 1                   |
| SDS Plus Hollow 22/250       | 504280   | Hollow       | 250                 | 22                 | 1                 | 1                   |
| SDS Max Hollow 26/300        | 504293   | Hollow       | 300                 | 26                 | 1                 | 1                   |
| SDS Plus Tile scaling 40/250 | 531437   | Tile scaling | 250                 | 40                 | 1                 | 1                   |
| SDS Max Tile Scaling 50/400  | 504295   | Tile scaling | 400                 | 50                 | 1                 | 1                   |

# ProfiBit FPB

The all-rounding bit within convincing quality



## Advantages

- The bits manufactured from special steel with high hardness degree are suitable for both hand driven and machine guided applications.
- The perfect fitting inside screws ensures working with low-wear of the product and consequently long lifetime and clean working results.
- The profile guarantees an ideal connection for an optimal power and torque transmission that prevents damages of the surface or the screw-heads.
- Also available as clearly arranged bit-set with 10 or 32pcs including bit holder.

## Applications

Number of internal drives in various profile sizes, such as:

- PH, PZ cross-slot
- TX star recess
- Suitable for ¼" drives

## Technical data

### ProfiBit FPB



| Item                         | Item No. | Drive | Length<br>L<br>[mm] | Contents | Sales unit<br>[pcs] |
|------------------------------|----------|-------|---------------------|----------|---------------------|
| FPB TX 25 ProfiBit W5        | 517693   | TX25  | 50                  | 5        | 1                   |
| FPB TX 30 90 mm ProfiBit W1  | 542369   | TX30  | 90                  | 1        | 1                   |
| FPB TX 30 150 mm ProfiBit W1 | 542372   | TX30  | 150                 | 1        | 1                   |
| FPB TX 40 90 mm ProfiBit W1  | 542370   | TX40  | 90                  | 1        | 1                   |
| FPB TX 40 150 mm ProfiBit W1 | 542373   | TX40  | 150                 | 1        | 1                   |
| FPB TX 50 ProfiBit W1        | 557839   | TX50  | 25                  | 1        | 1                   |
| FPB TX 50 90 mm ProfiBit W1  | 542371   | TX50  | 90                  | 1        | 1                   |
| FPB PH 2 Drywall W 1         | 557840   | PH 2  | 25                  | 1        | 1                   |
| FPB PZ 2 50mm ProfiBit W1    | 557842   | PZ2   | 50                  | 1        | 1                   |
| FPB PZ 4 ProfiBit W1         | 557843   | PZ 4  | 38                  | 1        | 1                   |
| FPB TX 10 ProfiBit W10       | 557845   | TX10  | 25                  | 10       | 1                   |
| FPB TX 15 ProfiBit W10       | 557846   | TX15  | 25                  | 10       | 1                   |
| FPB TX 20 ProfiBit W10       | 557847   | TX20  | 25                  | 10       | 1                   |
| FPB TX 25 ProfiBit W10       | 557848   | TX25  | 25                  | 10       | 1                   |
| FPB TX 30 ProfiBit W10       | 557849   | TX30  | 25                  | 10       | 1                   |
| FPB TX 40 ProfiBit W10       | 557850   | TX40  | 25                  | 10       | 1                   |
| FPB PH 1 ProfiBit W10        | 557851   | PH1   | 25                  | 10       | 1                   |
| FPB PH 2 ProfiBit W10        | 557852   | PH 2  | 25                  | 10       | 1                   |
| FPB PH 3 ProfiBit W10        | 557853   | PH3   | 25                  | 10       | 1                   |
| FPB PZ 1 ProfiBit W10        | 557854   | PZ1   | 25                  | 10       | 1                   |
| FPB PZ 2 ProfiBit W10        | 557855   | PZ2   | 25                  | 10       | 1                   |
| FPB PZ 3 ProfiBit W10        | 557856   | PZ3   | 25                  | 10       | 1                   |

# DiamondBit FDB

The non-slip bit



## Advantages

- The coating with diamond-particles ensures the best possible power-transfer and prevents the bit tip from slipping out of the screw head.
- The diamond-coated bit with a high hardness grade guarantees the greatest service life and corrosion resistance.
- The torsion zones created by the tapered bit cross-section offers relief in the case of extreme loads. For a more effortless installation and maximum operating efficiency.
- The high dimensional accuracy enables an optimum bit fit for clean results and a long lifetime.

## Applications

Number of internal drives in various profile sizes, such as:

- PH, PZ cross-slot
- TX star recess
- Suitable for ¼" drives

## Technical data

DiamondBit FDB

14



| Item                     | Item No. | Drive | Length<br>L<br>[mm] | Contents | Sales unit<br>[pcs] |
|--------------------------|----------|-------|---------------------|----------|---------------------|
| FDB TX 10 DiamondBit W10 | 557857   | TX10  | 25                  | 10       | 1                   |
| FDB TX 15 DiamondBit W10 | 557858   | TX15  | 25                  | 10       | 1                   |
| FDB TX 20 DiamondBit W10 | 557859   | TX20  | 25                  | 10       | 1                   |
| FDB TX 25 DiamondBit W10 | 557860   | TX25  | 25                  | 10       | 1                   |
| FDB TX 30 DiamondBit W10 | 557861   | TX30  | 25                  | 10       | 1                   |
| FDB TX 40 DiamondBit W10 | 557862   | TX40  | 25                  | 10       | 1                   |
| FDB PH 1 DiamondBit W10  | 557863   | PH1   | 25                  | 10       | 1                   |
| FDB PH 2 DiamondBit W10  | 557864   | PH 2  | 25                  | 10       | 1                   |
| FDB PH 3 DiamondBit W10  | 557865   | PH3   | 25                  | 10       | 1                   |
| FDB PZ 1 DiamondBit W10  | 557866   | PZ1   | 25                  | 10       | 1                   |
| FDB PZ 2 DiamondBit W10  | 557867   | PZ2   | 25                  | 10       | 1                   |
| FDB PZ 3 DiamondBit W10  | 557868   | PZ3   | 25                  | 10       | 1                   |

# MaxxBit FMB

The ultimate torsion-bit



## Advantages

- The ultimate solution for extreme installation torques. Ideal for usage in high-performance power and impact tools.
- Optimal geometry of the profile guarantees unique performance and durability for sophisticated applications and users.
- The elastic torsion zone releases at extreme loads to ensure a gentle working and maximum operating efficiency.
- The high dimensional accuracy allows for an ideal fit. For clean results and a long lifetime.

## Applications

Number of internal drives in various profile sizes, such as:

- TX star recess
- Suitable for ¼" drives

## Technical data

MaxxBit FMB



FMB TX

| Item                 | Item No. | Drive | Length<br>L<br>[mm] | Contents | Sales unit<br>[pcs] |
|----------------------|----------|-------|---------------------|----------|---------------------|
| FMB TX10 MaxxBit W 5 | 533154   | TX10  | 29                  | 5        | 1                   |
| FMB TX15 MaxxBit W 5 | 533155   | TX15  | 29                  | 5        | 1                   |
| FMB TX20 MaxxBit W 5 | 533156   | TX20  | 29                  | 5        | 1                   |
| FMB TX25 MaxxBit W 5 | 533157   | TX25  | 29                  | 5        | 1                   |
| FMB TX30 MaxxBit W 5 | 533158   | TX30  | 29                  | 5        | 1                   |
| FMB TX40 MaxxBit W 5 | 533159   | TX40  | 29                  | 5        | 1                   |

14

# BitHolder FBH

The bit holder for rapid bit exchange



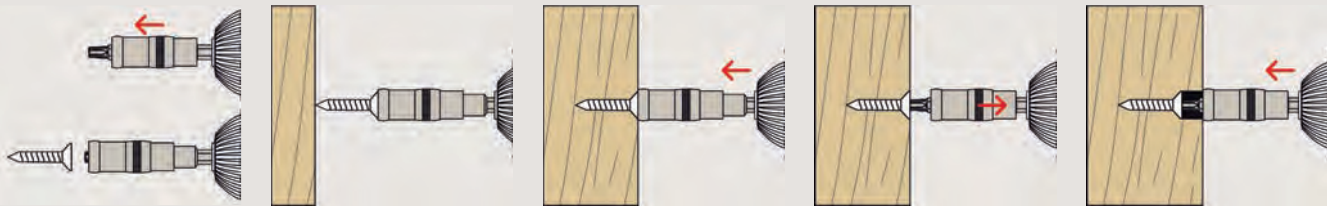
## Advantages

- The bit holder family for 1/4" bits with magnetic insert hold the bit securely in the drill chuck and offers a smooth installation procedure.
- Robust and slim bit holder for an easy bit exchange.
- Ideal for direct machine connection or enlargement of the bits to reach difficult areas.
- With the FBH QuickBit Slim the bit automatically locked when plugged in and provides a secure hold. By pulling back the sleeve the bit can be easily taken out.

## Applications

- The bit holders for use in cylinder drill chucks

## Using the BitHolder FBH



14

## Technical data

### BitHolder FBH



FBH BitHolder

FBH QuickBit Slim

| Item                 | Item No. | Drive | Length<br>L<br>[mm] | Contents<br>[pcs] | Sales unit<br>[pcs] |
|----------------------|----------|-------|---------------------|-------------------|---------------------|
| FBH BitHolder W1     | 558178   | 1/4"  | 58                  | 1                 | 1                   |
| FBH QuickBit Slim W1 | 533150   | 1/4"  | 50                  | 1                 | 1                   |

# BitSet

Useful bit sets for a multitude of applications



## Advantages

- Universal use with most common bits as well as a bit holder in one set.
- Compact bit sets with easy handling.
- Safe and clearly arranged keeping of the content assuring a reliable usage.
- Robust and durable construction fulfilling even hardest requirements.

## Applications

- The ideal bit sets for quick and efficient working
- For a high variation of applications

## Technical data

### BitSet



BitSet FPB Profi W10



BitSet FPB Profi W32

| Item                 | Item No. | Contents  | Sales unit [pcs] |
|----------------------|----------|---|------------------|
| FPB BitSet Profi W10 | 558179   | each 1x PZ1, PZ2, PZ3, TX10, TX15, TX20, TX25, TX30, TX40, 1x Universal bit holder  | 1                |
| FPB BitSet Profi W32 | 559121   | 2x PZ1, 4x PZ2, 2x PZ3, 1x TX8, 2x TX10, 1x TX15, 2x TX20, 2xTX25, 1x TX27, 1x TX30, 1x TX40, 2x PH1, 4x PH2, 2x PH3, 1x PH2 D, 1x SL4.5, 1x SL5.5, 1x SL6, 1x Universal bit holder | 1                |

# Accessories for impact driver

Ideal for use in high-performance power- and impact-tools



## Advantages

- Optimal geometry of the profile guarantees unique performance and durability for complex applications and users.
- The high dimensional accuracy allows for an ideal fit. For clean results and a long lifetime.

## Applications

- The ultimate solution for extreme installation torques

## Technical data

### Accessories for impact driver

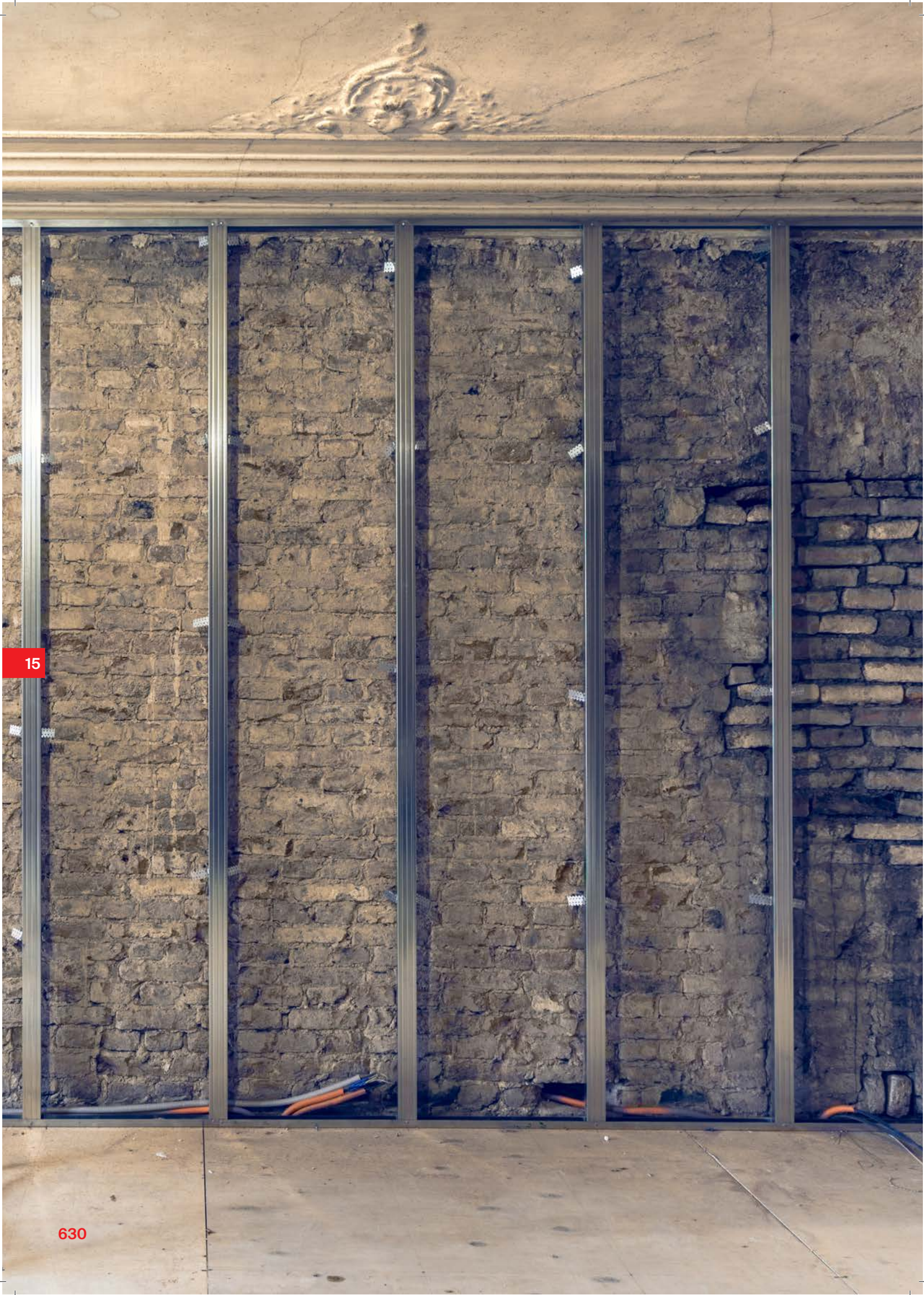


| Item                     | Item No. | Drive       | Total length [mm] | Sales unit [pcs] |
|--------------------------|----------|-------------|-------------------|------------------|
| Nut SW 10                | 538577   | 1/2" / SW10 | 78                | 1                |
| Nut SW 13                | 538578   | 1/2" / SW13 | 38                | 1                |
| Nut SW 15                | 538579   | 1/2" / SW15 | 38                | 1                |
| Nut SW 17                | 538580   | 1/2" / SW17 | 38                | 1                |
| Nut SW 21                | 538581   | 1/2" / SW21 | 38                | 1                |
| Nut 1/2" - 1/4"          | 553928   | 1/2" / 1/4" | 55                | 1                |
| Nut 1/2" - TX 50         | 553929   | 1/2" / TX50 | 55                | 1                |
| FPB TX 50 5/16" ProfiBit | 557844   | TX50        | 35                | 1                |









15

630



## X-ON Electronics

Largest Supplier of Electrical and Electronic Components

*Click to view similar products for [Hand Tools](#) category:*

*Click to view products by [FISCHER](#) manufacturer:*

Other Similar products are found below :

[58284-1](#) [59773-1](#) [662908-1](#) [68764-0001](#) [690619-6](#) [7-354778-7](#) [768531-1](#) [810131](#) [81541-16](#) [854183-1](#) [854358-1](#) [90855-1](#) [992258-1](#) [1-21046-3](#) [121073-0047](#) [1-22278-0](#) [1-22278-2](#) [1-24954-2](#) [125529-5](#) [126513-1](#) [1-305579-8](#) [1-306027-0](#) [1320846-1](#) [1338968-2](#) [1-354779-0](#) [1-354779-2](#) [1-354779-4](#) [1424443-1](#) [1424266-1](#) [1424289-1](#) [1424444-1](#) [1532195-2](#) [1538773-2](#) [1-692134-3](#) [HT-920A-124-HTELE-RPL-KIT](#) [1976923-1](#) [1976969-1](#) [2063795-1](#) [2-21002-1](#) [2-21002-4](#) [2-21002-7](#) [2-21002-9](#) [2-21004-0](#) [229707-1](#) [911737-2](#) [91348-2](#) [925980-R](#) [301185-9](#) [983533-1](#) [1-694433-7](#)