

The duo of power and intelligence



Wall cabinets



TV-brackets

BUILDING MATERIALS

- Concrete
- Solid brick
- Solid sand-lime brick
- Aerated concrete
- Vertically perforated brick
- Perforated sand-lime brick
- Plasterboard
- Gypsum plasterboard and gypsum fibreboards
- Hollow blocks made from lightweight concrete
- Cavity floor slabs made from bricks and concrete or similar
- Natural stone
- Chipboard
- Solid panel made from gypsum
- Solid brick made from lightweight concrete

CERTIFICATES



ADVANTAGES

- Two component materials for top load values and intelligent functioning (expansion, folding, knotting), depending on building material - solid, perforated or panel material.
- Great feedback (feel-good-factor) of the plug. You can feel exactly when the plug is installed perfectly.
- The narrow plug rim prevents slipping into the drill hole.
- The serrated anti-rotation feature interlock in the building material and prevents rotation in the drill hole during installation.
- The greater anchorage depth of the DUOPOWER 6 x 50, 8 x 65 and 10 x 80 means that the plug is especially suited to fixings in hollow building materials, aerated concrete and to bridge plaster.

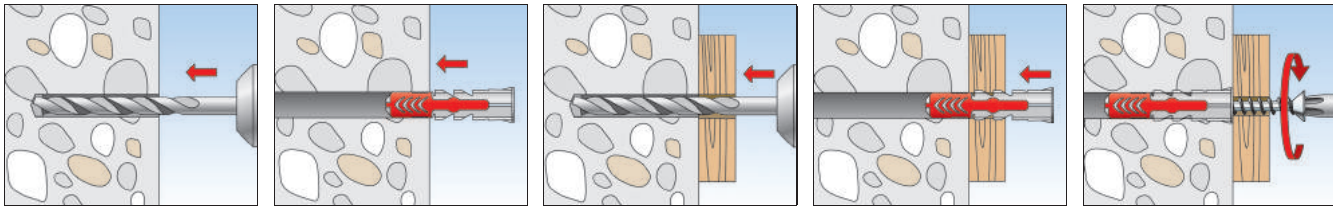
APPLICATIONS

- TV consoles
- Lighting
- Shelves
- Mirror cabinets
- Letter boxes
- Pictures
- Fixing blinds
- Curtain rails
- Wash basin fixings
- Plumbing and heating fixings
- Bath and toilet installations
- Wall cabinets
- Range hood

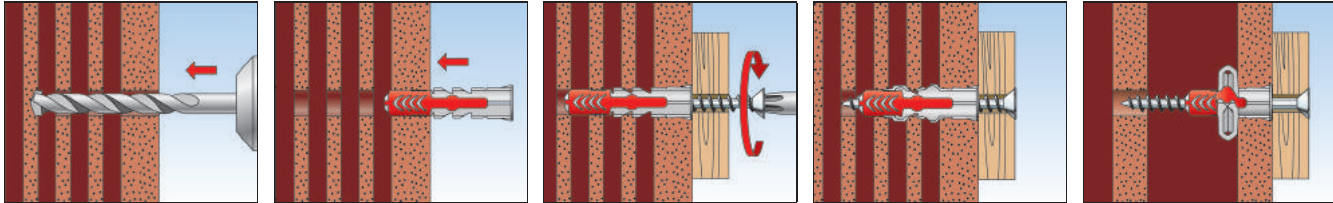
FUNCTIONING

- The grey component made from high quality nylon automatically activates for the optimum product function (expansion, folding, knotting) for the best hold.
- The red expansion wings support the safe expansion and offer additional safety for the grey component.
- The smooth-running opening allows the simple positioning of the screw and the secure guiding and fixing in the screw channel.
- The required screw length is given by the plug length + fixture thickness + the screw diameter.
- Suitable for wood and chipboard screws, as well as stud screws.
- In the case of fixing boards, the threadless part of the screw must not be longer than the fixture.

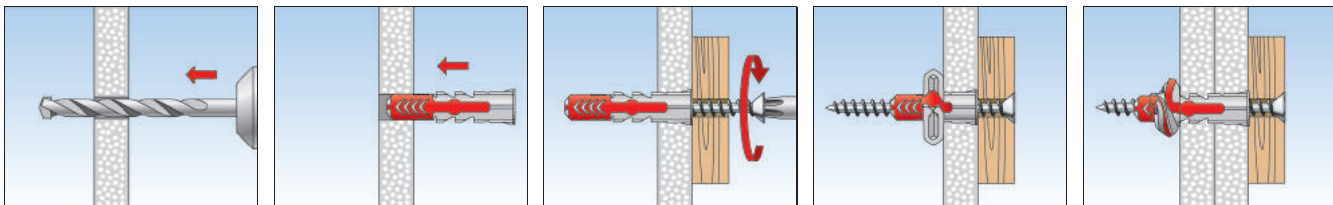
INSTALLATION IN SOLID BUILDING MATERIALS



INSTALLATION IN HOLLOW BUILDING MATERIALS



INSTALLATION IN PANEL BUILDING MATERIALS



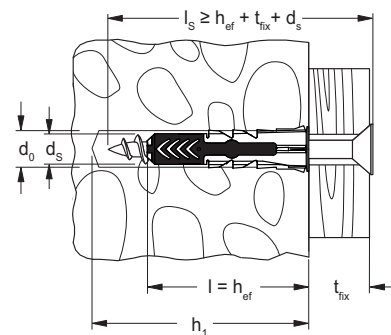
TECHNICAL DATA



DUOPOWER



DUOPOWER with greater anchorage depth



Item	Art.-No. without screw	Art.-No. with screw	Drill hole diameter	Min. drill hole depth	Min. panel thickness	Min. bolt penetra- tion	Anchor length	Wood and chipboard screws	Drive	Max. fixture thickness	Sales unit
			d_0 [mm]	h_1 [mm]	d_p [mm]	$l_{E,min}$ [mm]	l [mm]	$d_s / d_s \times l_s$ [mm]	t_{fix} [mm]	[pcs]	
DUOPOWER 5 x 25	555005	—	5	35	12,5	28	25	3 - 4	—	—	100
DUOPOWER 6 x 30	555006	—	6	40	12,5	34	30	4 - 5	—	—	100
DUOPOWER 8 x 40	555008	—	8	50	12,5	45	40	4,5 - 6	—	—	100
DUOPOWER 10 x 50	555010	—	10	60	12,5	56	50	6 - 8	—	—	50
DUOPOWER 5 x 25 S	—	555105	5	35	12,5	29	25	4 x 35	PZ2	6	50
DUOPOWER 6 x 30 S	—	555106	6	40	12,5	35	30	4,5 x 40	PZ2	5	50
DUOPOWER 8 x 40 S	—	555108	8	60	12,5	45	40	5 x 60	PZ2	15	50
DUOPOWER 10 x 50 S	—	555110	10	70	12,5	57	50	7 x 69	SW 13 / TX 40	13	25
DUOPOWER 6 x 50	538240	—	6	60	12,5	55	50	4 - 5	—	—	100
DUOPOWER 8 x 65	538241	—	8	75	2 x 12,5	70	65	4,5 - 6	—	—	50
DUOPOWER 10 x 80	538242	—	10	90	—	87	80	6 - 8	—	—	25
DUOPOWER 12 x 60	538243	—	12	70	—	68	60	8 - 10	—	—	25
DUOPOWER 14 x 70	538244	—	14	80	—	80	70	10 - 12	—	—	20
DUOPOWER 6 x 50 S	—	538245	6	75	12,5	55	50	4,5 x 70	PZ2	15	50
DUOPOWER 8 x 65 S	—	538246	8	85	2 x 12,5	70	65	5 x 80	PZ2	10	25
DUOPOWER 10 x 80 S	—	538247	10	112	—	87	80	7 x 107	SW 13	20	10

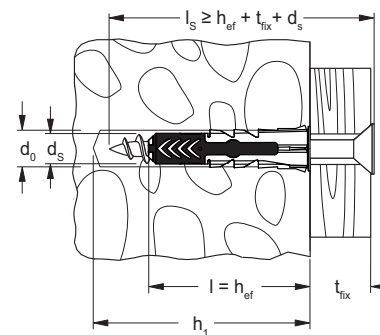
TECHNICAL DATA



DUOPOWER



DUOPOWER with greater anchorage depth



Item	Art.-No. without screw	Art.-No. with screw	Drill hole diameter	Min. drill hole depth	Min. panel thickness	Min. bolt penetra- tion	Anchor length	Wood and chipboard screws	Drive	Max. fixture thickness	Sales unit
			d ₀ [mm]	h ₁ [mm]	d _p [mm]	l _{E,min} [mm]	l [mm]	d _s / d _s x l _s [mm]	t _{fix} [mm]	[pcs]	
DUOPOWER 12 x 60 S	—	538248	12	85	—	68	60	8 x 80	SW 13	12	10
DUOPOWER 14 x 70 S	—	538249	14	100	—	80	70	10 x 95	SW 17	15	8

LOADS

DUOPOWER

Highest recommended loads¹⁾ for a single anchor.

The given loads are valid for wood screws with the specified diameter.

Type	DUOPOWER									
	5 x 25	6 x 30	6 x 50	8 x 40	8 x 65	10 x 50	10 x 80	12 x 60	14 x 70	
Wood screw diameter	∅ [mm]	4	5	5	6	6	8	8	10	12
Min. edge distance concrete	c _{min} [mm]	30	35	35	50	50	65	65	80	100
Recommended loads in the respective base material F_{rec}²⁾										
Concrete	≥ C20/25 [kN]	0,40	0,95	1,65	1,10	2,30	2,15	4,20	3,30	5,30
Solid brick	≥ Mz 12 [kN]	0,30	0,50	0,55	0,62	0,69	1,20	1,45	1,30	1,35
Solid sand-lime brick	≥ KS 12 [kN]	0,50	1,00	1,60	1,25	2,25	2,20	3,85	2,80	4,50
Aerated concrete	≥ PB 2, PP 2 (G 2) [kN]	0,05	0,10	0,15	0,10	0,16	0,20	0,30	0,24	0,35
Aerated concrete	≥ PB 4, PP 4 (G 4) [kN]	0,25	0,38	0,55	0,42	0,60	0,60	1,10	1,00	1,45
Vertically perforated brick	≥ Hz 12 (ρ ≥ 0,9 kg/dm ³) [kN]	0,13	0,15	0,17	0,25	0,40	0,25	0,40	0,35	0,40
Perforated sand-lime brick	≥ KSL 12 (ρ ≥ 1,6 kg/dm ³) [kN]	0,40	0,60	0,60	0,70	1,00	0,70	2,00	0,75	1,50
Gypsum block	(ρ ≥ 0,9 kg/dm ³) [kN]	0,10	0,18	0,37	0,25	0,50	0,35	0,65	0,50	0,50
Gypsum fibreboard	12,5 mm [kN]	0,24	0,33	0,35	0,35	-	0,50	-	-	-
Gypsum plasterboard	12,5 mm [kN]	0,12	0,15	0,15	0,15	-	0,15	-	-	-
Gypsum plasterboard	2 x 12,5 mm [kN]	0,13	0,15	0,24	0,20	0,32	0,30	-	-	-
Mattone Forato Typ F8	[kN]	0,30	0,30	-	0,25	-	0,25	-	-	-
Tramezza Doppio UNI 19	[kN]	0,15	0,15	0,23	0,15	0,30	0,20	0,52	0,35	0,35
Sepa Parpaing	[kN]	0,30	0,45	0,25 ³⁾	0,45	0,45 ³⁾	0,45	0,45 ³⁾	0,60 ³⁾	0,60 ³⁾

¹⁾ Required safety factors are considered.

²⁾ The load data are valid for tension, shear and combined tension and shear load.

³⁾ Load determination on plastered wall.

X-ON Electronics

Largest Supplier of Electrical and Electronic Components

Click to view similar products for [Screws & Fasteners](#) category:

Click to view products by [FISCHER](#) manufacturer:

Other Similar products are found below :

[5721-1440-1/4-SS](#) [0098.0094](#) [0098.9206](#) [59781-6](#) [0098.9212](#) [6292-1](#) [690432-1](#) [699161-000](#) [700989](#) [7230-3](#) [72609-02](#) [CAPTIVE JACK](#)
[SCREW](#) [73542-02](#) [CAPTIVE SHORT THUMBSCREW](#) [745564-1](#) [7680](#) [809704-1](#) [8700](#) [8860220](#) [9521](#) [992763-3](#) [1-18024-0](#) [A168P1](#) [1-](#)
[24921-1](#) [125416-1](#) [1301810313](#) [1-306131-6](#) [1301830042](#) [1458](#) [1-59781-3](#) [18029-4](#) [NBX-10953](#) [NUT-16-3P-HEX-NICKEL](#) [20993.45098](#)
[21004-1](#) [21009-4](#) [21014-5](#) [21021-2](#) [CA24037A01](#) [22987-4](#) [240632-1](#) [240632-2](#) [89506-9801](#) [2504](#) [9031](#) [9-1393249-2](#) [2.5NZPNBU](#) [26-](#)
[0048PP](#) [27210-1](#) [27210-8](#) [9318](#) [9520](#)