

The powerful nylon plug with 4-way expansion



Wall consoles



Curtain rails

BUILDING MATERIALS

- Concrete
- Vertically perforated brick
- Hollow blocks made from lightweight concrete
- Cavity floor slabs made from bricks and concrete
- Perforated sand-lime brick
- Solid sand-lime brick
- Natural stone with dense structure
- Aerated concrete
- Solid panel made from gypsum
- Solid brick made from lightweight concrete
- Solid brick

CERTIFICATES



ADVANTAGES

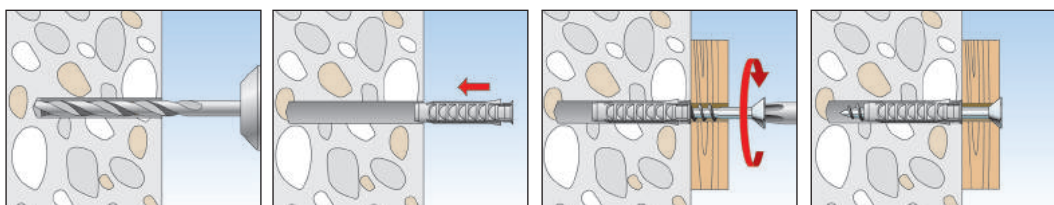
- The 4-way expansion provides the optimum force distribution in the material, and offers high load-bearing capacities in solid and hollow building materials.
- The expansion-free plug neck prevents the creation of expansion forces on the material surface whilst screwing in the screw. This helps to prevent damage to tiles and plaster.
- The pronounced rim prevents the plug from slipping into the drill hole, thus allowing for a simple installation.
- The greater anchorage depth of the SX 6x50, 8x65 and 10x80 means that the plug is especially suited to fixings in hollow building materials, aerated concrete and to bridge plaster.

APPLICATIONS

- Lighting
- Wardrobes
- Motion detectors
- Skirting
- Light shelves
- Mirror cabinets
- Letter boxes
- TV consoles
- Trellis
- Folding shutters
- Bath and toilet installations

356FUNCTIONING

- The SX is suitable for pre-positioned and push-through installation.
- When turning in the screw, the SX expands in four directions, thus providing a secure anchoring in the building material.
- The required screw length is given by: Plug length + fixture thickness + 1 x screw diameter.
- Suitable for wood, chipboard and spacing screws (fischer ASL, see page 356).



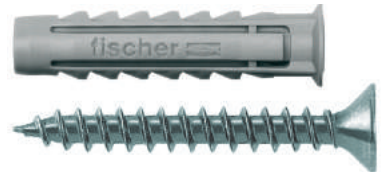
TECHNICAL DATA



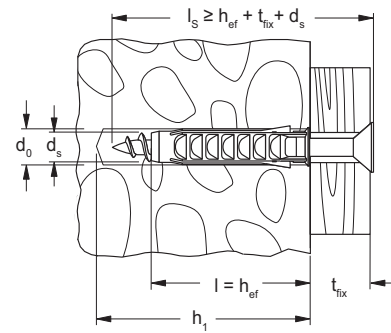
Plug **SX** with rim



Plug **SX** - with greater anchorage depth, without rim



Plug **SX** with rim and screw



	With rim	With greater anchorage depth, without rim	With rim and screw	Drill hole diameter	Min. drill hole depth	Anchor length	Wood and chipboard screws	Max. fixture thickness	Sales unit
	Art.-No.	Art.-No.	Art.-No.	d_0 [mm]	h_1 [mm]	l [mm]	$d_s / d_s \times l_s$ [mm]	t_{fix} [mm]	[pcs]
Item	SX	SX	SX-S						
SX 4 x 20	070004	—	—	4	25	20	2 - 3	—	200
SX 5 x 25	070005	—	—	5	35	25	3 - 4	—	100
SX 6 x 30	070006	—	—	6	40	30	4 - 5	—	100
SX 6 x 30	—	—	070021	6	45	30	4,5 x 40	5	50
SX 6 x 50	078185	024827	—	6	60	50	4 - 5	—	100
SX 8 x 40	070008	—	—	8	50	40	4,5 - 6	—	100
SX 8 x 40	—	—	070022	8	65	40	5 x 60	15	50
SX 8 x 65	—	024828	—	8	75	65	4,5 - 6	—	50
SX 10 x 50	070010	—	—	10	70	50	6 - 8	—	50
SX 10 x 80	—	024829	—	10	95	80	6 - 8	—	25
SX 12 x 60	070012	—	—	12	80	60	8 - 10	—	25
SX 14 x 70	070014	—	—	14	90	70	10 - 12	—	20
SX 16 x 80	070016	—	—	16	100	80	12 (1/2")	—	10

TECHNICAL DATA



SX in bucket

Item	Art.-No.	Drill hole diameter	Min. drill hole depth	Anchor length	Max. fixture thickness	Wood and chipboard screws	Sales unit
		d_0 [mm]	h_1 [mm]	l [mm]	t_{fix} [mm]	d_s [mm]	[pcs]
SX 6 in bucket	507900	6	40	30	—	4 - 5	3200
SX 8 in bucket	507904	8	50	40	—	4,5 - 6	1200
SX 10 in bucket	507909	10	70	50	—	6 - 8	720
SX 12 in bucket	523269	12	80	60	—	8 - 10	350

TECHNICAL DATA



Box SX 5/6/8

Profi-Box

Box UX / SX-S

Assortment box UX / SX

Item	Art.-No.	Contents	Sales unit [pcs]
Box SX 5/6/8	030191	100 plugs SX 5 x 25, 100 plugs SX 6 x 30, 100 plugs SX 8 x 40	1
Box UX / SX-S	093181	50 plugs UX 6 x 35, 50 screws 4,5 x 50, 50 plugs SX 6 x 30, 50 screws 4,5 x 45, 25 plugs UX 8 x 50, 25 screws 5 x 65, 25 plugs SX 8 x 40, 25 screws 5 x 50	1
Assortment box UX / SX	040991	60 plugs SX 6 x 30, 50 plugs SX 8 x 40, 20 plugs SX 10 x 50, 60 plugs UX 5 x 30 R, 40 plugs UX 6 x 50 R, 50 plugs UX 8 x 50 R, 10 plugs UX 10 x 60 R	1
Profi-Box SX	518524	International version: 60 Expansion plugs SX 6 x 30, 60 Expansion plugs SX 8 x 40, 12 Expansion plugs SX 10 x 50	1
Profi-Box SX + screws	518525	International version: 50 Expansion plugs SX 6 x 30, 30 Expansion plugs SX 8 x 40, 50 Chipboard screws 4,5 x 40, 30 Chipboard screws 5 x 60	1
Meister-Box SX-plug	041648	German version: 60 plugs SX 6 x 30, 60 plugs SX 8 x 40, 12 plugs SX 10 x 50	1
Meister-Box SX + screws	513777	German version: 50 Expansion plugs SX 6 x 30, 30 Expansion plugs SX 8 x 40, 50 Chipboard screws 4,5 x 40, 30 Chipboard screws 5 x 60	1

LOADS

Expansion plug SX

Highest recommended loads¹⁾ for a single anchor.

The given loads are valid for wood screws with the specified diameter.

Type		SX 4 x 20	SX 5 x 25	SX 6 x 30 SX 6 x 50	SX 8 x 40 SX 8 x 65	SX 10 x 50	SX 10 x 80	SX 12 x 60	SX 14 x 70	SX 16 x 80
Wood screw diameter	∅ [mm]	3	4	5	6	8	8	10	12	12
Min. edge distance concrete	c _{min} [mm]	20	25	35	40	50	50	65	100	120
Recommended loads in the respective base material F_{rec}²⁾										
Concrete	≥ C20/25 [kN]	0,16	0,30	0,65	0,70	1,20	1,20	1,70	2,00	2,60
Solid brick	≥ Mz 12 [kN]	0,11	0,25	0,30	0,60	0,65	1,20	0,70	0,80	0,90
Solid sand-lime brick	≥ KS 12 [kN]	0,17	0,30	0,50	0,60	1,20	1,20	1,70	2,00	2,60
Aerated concrete	≥ AAC 2 [kN]	0,03	0,03	0,03	0,04	0,09	0,20	0,14	0,30	0,40
Aerated concrete	≥ AAC 4 [kN]	0,07	0,09	0,09	0,14	0,30	0,60	0,45	0,50	0,60
Vertically perforated brick	≥ Hlz 12 (ρ ≥ 1.0 kg/dm ³) [kN]	0,13	0,07	0,07	0,17	0,17	0,50	0,26	0,40	0,60
Perforated sand-lime brick	≥ KSL 12 [kN]	0,15	0,17	0,30	0,35	0,30	0,80	0,35	0,30	0,40
Gypsum block	[kN]	-	-	-	0,26	0,37	-	1,00	1,00	-

¹⁾ Required safety factors are considered.

²⁾ Valid for tensile load, shear load and oblique load under any angle.

X-ON Electronics

Largest Supplier of Electrical and Electronic Components

Click to view similar products for [Screws & Fasteners](#) category:

Click to view products by [FISCHER](#) manufacturer:

Other Similar products are found below :

[5721-1440-1/4-SS](#) [0098.0094](#) [0098.9206](#) [59781-6](#) [0098.9212](#) [6292-1](#) [690432-1](#) [699161-000](#) [700989](#) [7230-3](#) [72609-02](#) [CAPTIVE JACK](#)
[SCREW](#) [73542-02](#) [CAPTIVE SHORT THUMBSCREW](#) [745564-1](#) [7680](#) [809704-1](#) [8700](#) [8860220](#) [9521](#) [992763-3](#) [1-18024-0](#) [A168P1](#) [1-](#)
[24921-1](#) [125416-1](#) [1301810313](#) [1-306131-6](#) [1301830042](#) [1458](#) [1-59781-3](#) [18029-4](#) [NBX-10953](#) [NUT-16-3P-HEX-NICKEL](#) [20993.45098](#)
[21004-1](#) [21009-4](#) [21014-5](#) [21021-2](#) [CA24037A01](#) [22987-4](#) [240632-1](#) [240632-2](#) [89506-9801](#) [2504](#) [9031](#) [9-1393249-2](#) [2.5NZPNBU](#) [26-](#)
[0048PP](#) [27210-1](#) [27210-8](#) [9318](#) [9520](#)