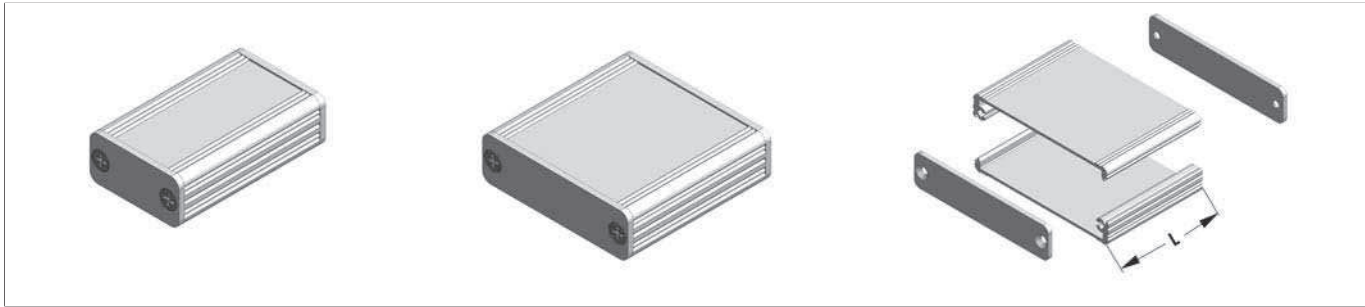


A

Miniature aluminium casing also for D-Sub

B

C



D

- casing tubes made of aluminium sections which are slotted into each other and screwed together
- the tubes form a guide groove in the centre for application of a printed circuit board or installation plate with a thickness of 1.8 mm, lateral in the profile until 1.6 mm
- while using the corresponding case D-Sub connectors can be mounted without front panel
- supplied as kit incl. 2 mm cover plates and mounting material
- cutouts, special lengths and surface treatments upon request

E

F

<p>GB 57 D-Sub 9-pin → f.con "I"</p>	<p>GB 57/ GB 58</p>	<p>GB 58</p>
<p>art. no. AKG 33 16 ...</p>	<p>art. no. AKG 33 20 ...</p>	<p>art. no. AKG 33 24 ...</p>
<p>GB 59</p>	<p>GB 59/ GB 60</p>	<p>GB 60</p>
<p>art. no. AKG 41 16 ...</p>	<p>art. no. AKG 41 20 ...</p>	<p>art. no. AKG 41 24 ...</p>
<p>GB 39 D-Sub 25-pin → f.con "I"</p>	<p>GB 39/46</p>	<p>GB 46</p>
<p>art. no. AKG 55 16 ...</p>	<p>art. no. AKG 55 20 ...</p>	<p>art. no. AKG 55 24 ...</p>
<p>please indicate: ... lengths 50 80 100 mm ... surface SA = black anodised ME = clear anodised</p>		

profiles in meter lengths 1000 mm → M 30

M

N

M 25

Cooling case
Case with cooling fins
Design case Chac
Design case Frame

→ M 31 - 34
→ M 34
→ M 38
→ M 39

Tube cases
Fixing material
IP-seals
EMC-seals

→ M 21
→ N 65
→ M 45
→ M 43 - 45

art. no. AKG 55 28 ...	art. no. AKG 55 32 ...	
art. no. AKG 55 20 L ...	art. no. AKG 55 24 L ...	art. no. AKG 55 28 L ...
	 D-Sub 50-pin → f.con "I"	
art. no. AKG 69 16 ...	art. no. AKG 69 20 ...	art. no. AKG 69 24 ...
 D-Sub 37-pin → f.con "I"		
art. no. AKG 71 16 ...	art. no. AKG 71 20 ...	art. no. AKG 71 24 ...
please indicate: ... lengths 50 80 100 mm		... surface SA = black anodised ME = clear anodised

profiles in meter lengths 1000 mm → M 30

Tilt foot and feet
Fixing material
Universal tube cases
EMC-seals

→ M 46
→ N 65
→ M 20
→ M 43 - 45

Design case Rail
Shell cases
Tube cases with Eurocards
Case with cooling fins

→ M 41
→ M 3 - 4
→ M 23
→ M 34

M 26

A

B

C

D

E

F

G

H

I

K

L

M

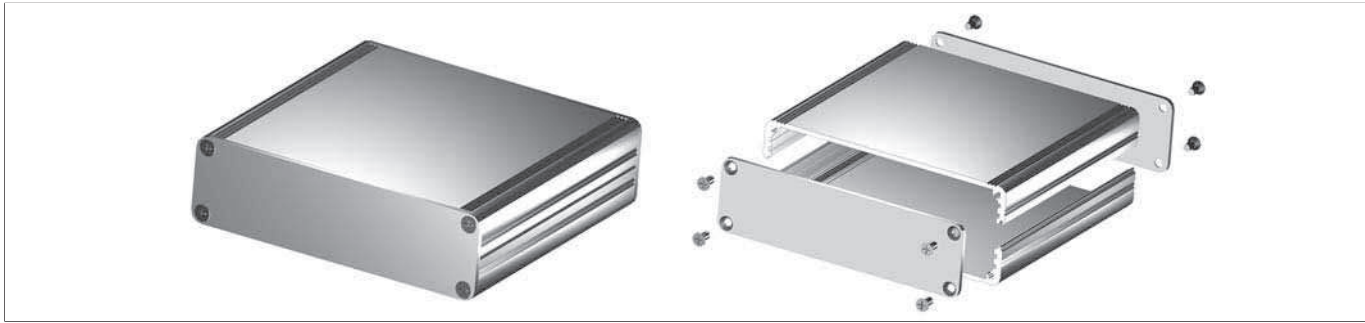
N

A

Miniature aluminium casing for eurocards

B

C



D

- combination case with internal guide rails for application of 100 mm Eurocards
- casing tube made of aluminium sections which are slotted into each other and screwed together
- mit **M 3** fixing threads for cover panels; further dimensions and surface treatments upon request
- supplied as kit, incl. 2 mm cover panels and mounting material

E

F

<p style="text-align: center;">art. no.</p> <p>AKG 105 22 ...</p>	<p style="text-align: center;">art. no.</p> <p>AKG 105 26 ...</p>
<p style="text-align: center;">art. no.</p> <p>AKG 105 30 ...</p>	<p style="text-align: center;">art. no.</p> <p>AKG 105 34 ...</p>
<p style="text-align: center;">art. no.</p> <p>AKG 105 38 ...</p>	<p style="text-align: center;">art. no.</p> <p>AKG 105 46 ...</p>
<p>please indicate:</p> <p style="text-align: center;">... lengths 80 100 120 160 200 220 mm</p> <p style="text-align: center;">... surface SA = black anodised ME = clear anodised</p>	

M

profiles in meter lengths 1000 mm → M 30

N

M 27

Shell cases
Extruded assembled cases
Desk consoles
Euro case

→ M 3 - 4
→ M 5
→ M 8
→ M 9

Tube cases with Eurocards
Case with cooling fins
Design case Chac
Design case Frame

→ M 23
→ M 34
→ M 38
→ M 39

X-ON Electronics

Largest Supplier of Electrical and Electronic Components

Click to view similar products for [Enclosures, Boxes & Cases](#) category:

Click to view products by [Fisher](#) manufacturer:

Other Similar products are found below :

[585-R-WH-PK](#) [M-10-PLATED](#) [60221-01](#) [60566-01-000](#) [HPL-9VB BATT DOOR](#) [M18-PLTD](#) [M-21-PLATED](#) [63310-01-000](#) [6711GSKT](#)
[71884-29-028](#) [LH45-100 Black](#) [72868-510-000](#) [CNS-0000 Black](#) [72883-510-000](#) [CNS-0101 Black](#) [72906-510-000](#) [CNS-0407 Black](#) [73092-](#)
[510-000](#) [CNM-0101 Black](#) [73105-510-000](#) [CNL-0101 Black](#) [73108-510-000](#) [CNL-0303 Black](#) [73395-510-039](#) [CNS-0006 Bone](#) [74016-510-000](#)
[CNL-0006 Black](#) [74257-510-000](#) [CNL-0004](#) [MDC-1183-PLAIN-ALUM](#) [MDC-1183-PTD](#) [MDC-13104-PTD](#) [MDC-321-PTD](#) [MDC-973-PTD](#)
[76](#) [77153-01-028](#) [FLX6030](#) [83535-01-508](#) [90026-501-000](#) [PS36-200](#) [116-508](#) [120-407](#) [120-910](#) [127-908](#) [130-008](#) [1301170079](#)
[1322GSKTEP](#) [1325GSKT3](#) [138-PLAIN](#) [1434-1210](#) [EAS-500 \(BLACK ANO\)](#) [1804RP-RB-PK](#) [190-005](#) [2202307](#) [KAB3321 BLACK](#)
[KAB3421](#) [2697466](#) [S52213](#) [2901123](#) [2901699](#) [A0645271](#) [A20P20](#)