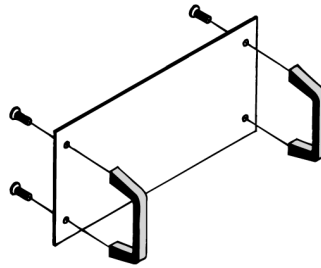


A

## Accessories for 19" subracks

### Rack handles

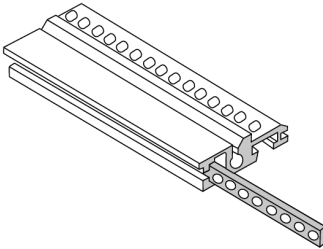
- very stable version made of solid aluminium, 1 set comprises 2 handles incl. mounting material
- further sizes **G** → N ?



art. no.	suitable for subracks	art. no.	suitable for subracks
<b>BGT 0384 7ME</b>	3 U	<b>BGT 0684 7ME</b>	6 U

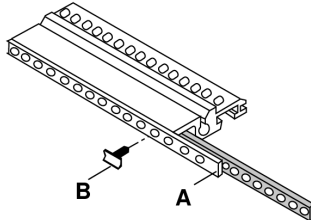
### Threaded rails

- threaded rails with M 2.5 threads for mounting of fixing rails and front panels
- 1 set contains 4 threaded rails

art. no.	
<b>BGT 384 2</b>	

### insulating strip (A)

- for rear module rail
- is used for isolation of the BUS-backplane
- with the isolating strips the standard insert depth for the plug-in module in the subrack will be established

art. no.	
<b>IST 84</b>	

#### technical data

class of flammability: UL 94 V-O  
 material: PBT, self-extinguishing

### Clips (B)

- for simple fastening of insulation strips into the threaded rails

art. no.	packing unit
<b>FC</b>	100 pieces

#### technical data

class of flammability: UL 94 V-O  
 material: noryl, red

M

N

**N 3**

**19" front panels**  
**Variable guide rails**  
**Reinforced guide rails**  
**Guide rail**

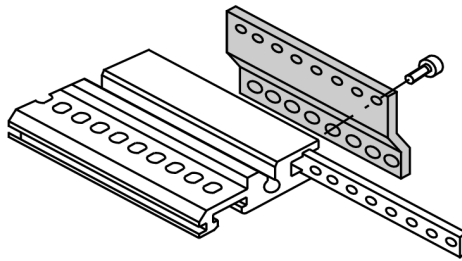
→ N ?  
 → N 6  
 → N 6  
 → N 5

**Fixing material**  
**PCB holder**  
**19" handles**  
**Accessory for part front panels**

→ N ?  
 → N ? - ?  
 → N ? - ?  
 → N ?

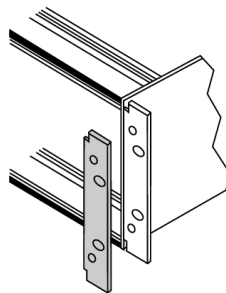
## Accessories for 19" subracks

### Z-rails for connectors



art. no.	packing unit
<b>GB 5 L</b>	1 set contains 2 Z-rails for connectors with 32/48/64/96 contacts to DIN 41612
<b>GB 20 L</b>	1 set contains 2 Z-rails for connectors with 31 contacts according to DIN 41617

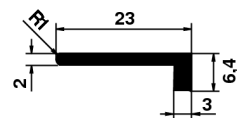
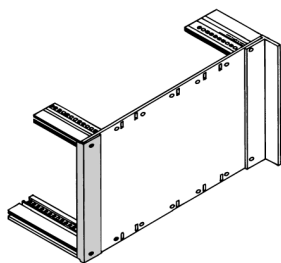
### Cover panels



art. no.	handle perforation	suitable for subracks
<b>BGTG 384 6</b>	with	3 U
<b>BGTG 684 6</b>	with	6 U
<b>BGTG 2 x 384 6</b>	with	BGTO 2 x 384/ BGTG 2 x 384
<b>BGTO 384 6</b>	without	3 U
<b>BGTO 684 6</b>	without	6 U
<b>BGTO 2 x 384 6</b>	without	BGTO 2 x 384/ BGTG 2 x 384

### Rear terminal profile

- 2 pieces cover the 2.54 mm gap between the part front panel and side panel
- **surface:** clear anodised



**GB 37**

art. no.	suitable for subracks
<b>RA 3</b>	3 U
<b>RA 6</b>	6 U

19" front panels  
Variable guide rails  
Reinforced guide rails  
Guide rail

→ N ?  
→ N 6  
→ N 6  
→ N 5

Fixing material  
PCB holder  
19" handles  
Accessory for part front panels

→ N ?  
→ N ? - ?  
→ N ? - ?  
→ N ?

**N 4**

A

B

C

D

E

F

G

H

I

K

L

M

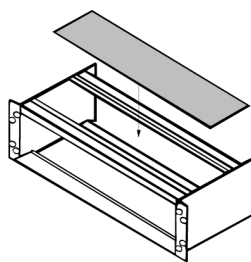
N

A

## Accessories for 19" subracks

B

### Perforated cover panel



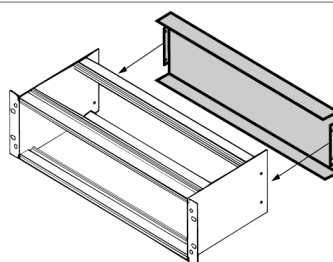
art. no.	depth of PCB [mm]	art. no.	depth of PCB [mm]
<b>AB 211</b>	160	<b>AB 271</b>	220

C

D

### Backpanel protective cover

- with side panel depth of 240 and 300 mm gives mechanical and antistatic protection
- delivery incl. mounting material



art. no.	suitable for subracks	art. no.	suitable for subracks
<b>RV 3 240</b>	3 U	<b>RV 6 240</b>	6 U

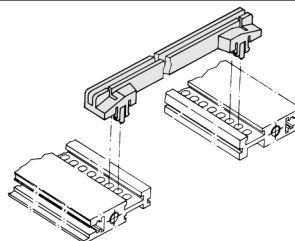
E

F

G

### Guide-rails

- with advanced mounting pins and locking nebs for easy mounting



art. no.	for Eurocards [mm]
<b>FSC 100</b>	100 x 100/ 233,5 x 100
<b>FSC 160</b>	100 x 160/ 233,5 x 160
<b>FSC 220</b>	100 x 220/ 233,5 x 220

H

I

K

L

M

N

**N 5**

19" front panels  
 Variable guide rails  
 Reinforced guide rails  
 Guide rail

→ N ?  
 → N 6  
 → N 6  
 → N 5

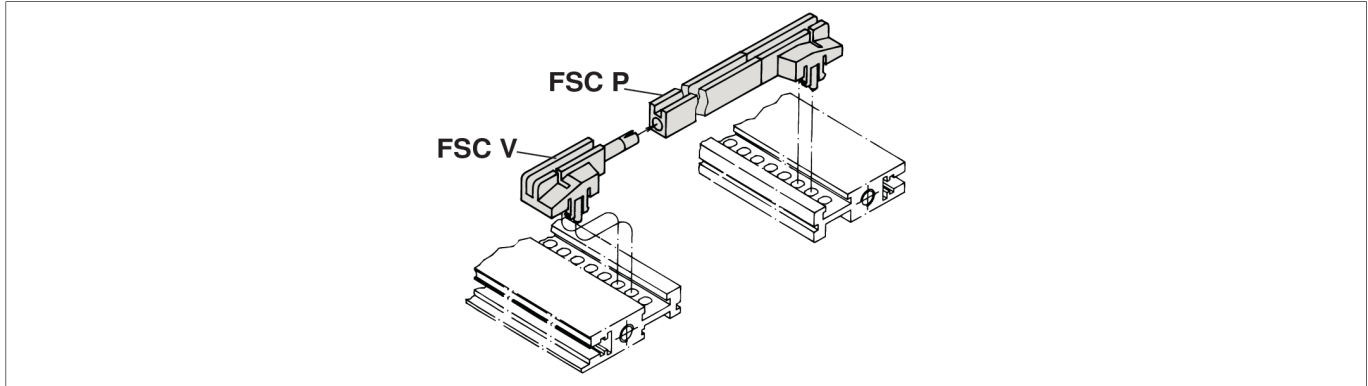
Fixing material  
 PCB holder  
 19" handles  
 Accessory for part front panels

→ N ?  
 → N ? - ?  
 → N ? - ?  
 → N ?

## Accessories for 19" subracks

### Variable guide-rails

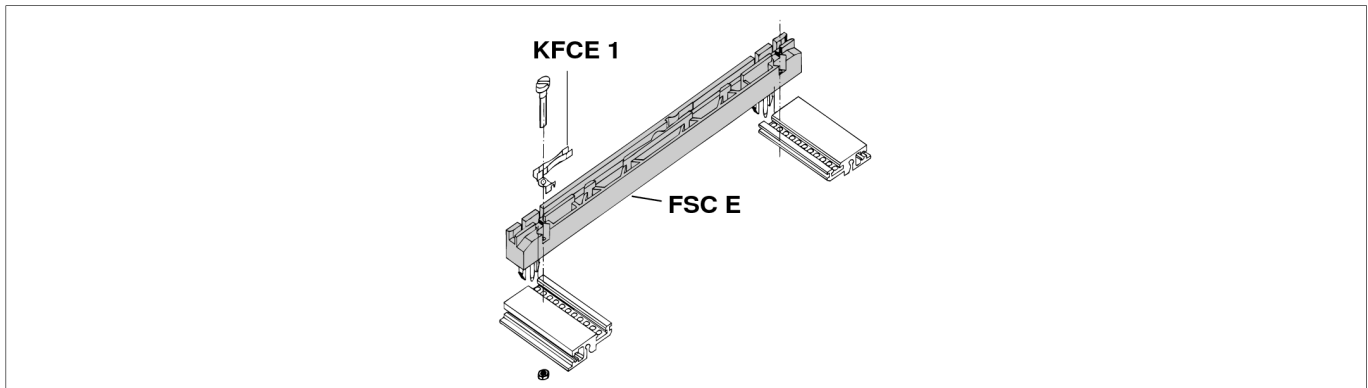
- contains 1 pair of heads and 1 profile
- head pieces (1 pair): art. no. **FSC V**; profile (in running meters) art. no. **FSC P**
- further profile lengths upon request



art. no.	art. no.
<b>FSC P</b>	<b>FSC V</b>

### Reinforced guide rails

- easy and fast to install by the use of clips
- can also be screwed into the module rails (M 2.5 x 12)
- high rigidity
- centred with spring-loaded strut
- good ventilation due to lattice work
- assembly option for one contact spring for advanced earthing to the module rails and front cover using conductor on the printed circuit board



art. no.	for Eurocards [mm]	art. no.	for Eurocards [mm]
<b>FSCE 160</b>	100 x 160/ 233,5 x 160	<b>FSCE 220</b>	100 x 220/ 233,5 x 220

**contact spring** please order separately:

art. no.
<b>KFCE 1</b>

19" front panels → N ?  
 Variable guide rails → N 6  
 Reinforced guide rails → N 6  
 Guide rail → N 5

Fixing material → N ?  
 PCB holder → N ? - ?  
 19" handles → N ? - ?  
 Accessory for part front panels → N ?

**N 6**

A  
B  
C  
D  
E  
F  
G  
H  
I  
K  
L  
M  
N

## X-ON Electronics

Largest Supplier of Electrical and Electronic Components

*Click to view similar products for [fisher manufacturer](#):*

Other Similar products are found below :

[FR 105 52 220 ME](#) [FR 120 42 200 ME](#) [GEL 28 30](#) [GEL 45 10](#) [GEL 45 50](#) [GEL 60 10](#) [AKG 33 20 80 ME](#) [ICKSR40X30](#) [LA 17 150 230](#) [LA 21 150 230](#) [LA 21 150 24](#) [LA 27 K 100 12](#) [LA 27 K 100 24](#) [LA 27 K 150 12](#) [LA 27 K 50 24](#) [SK4615AL](#) [SK 47 250 SA](#) [SK56920AL](#) [SK57225SA](#) [SK57720AL](#) [SK58420AL](#) [SK58437.5SA](#) [SK 622 1000 AL](#) [SK 622 1000 SA](#) [SK 622 100 AL](#) [SK 623 100 SA](#) [SK 626 1000 SA](#) [SK 626 50 SA](#) [SK 627 1000 AL](#) [SK 627 200 AL](#) [SK 627 200 SA](#) [SK 627 50 SA](#) [SK 632 100 AL](#) [SK 633 25 AL](#) [SK 636 100 AL](#) [SK LED R 65 SA](#) [SK LED R 80 SA](#) [AKG 69 24 100 SA](#) [FR 80 42 160 ME](#) [GE K 80 42 100 SA](#) [GEL 45 30](#) [GEL 60 25](#) [GEL F 15 10](#) [TUF 120 42 220 ME](#) [TUF 55 16 200 SA](#) [LA 27 K 50 12](#) [LA 27 K 75 12](#) [LA 27 K 75 24](#) [WAG 200 SA](#) [SK57025AL](#)