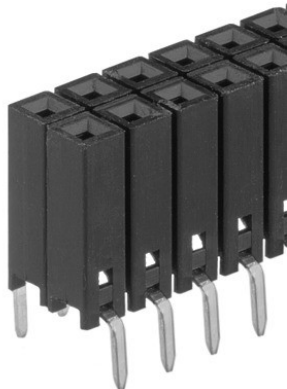


## Data sheet Product BL\_21\_650



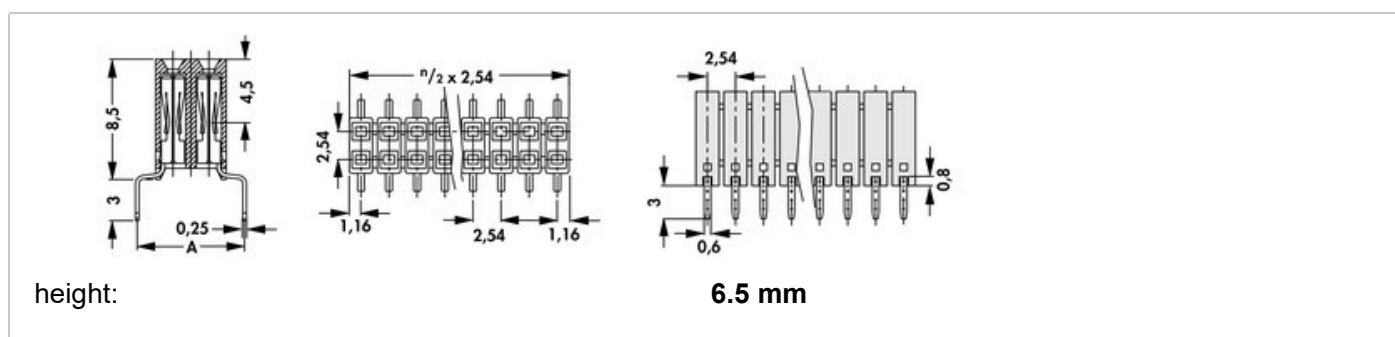
PCB connectors>Female headers

□ 0.635 mm, can be put through from above

## Features

grid:	<b>2.54 mm</b>
no. of contacts:	<b>2 / 4 / 6 / 8 / 10 / 12 / 14 / 16 / 18 / 20 / 22 / 24 / ... / 90</b>
contact material:	<b>CuSn alloy</b>
surface of contact:	<ul style="list-style-type: none"> <li>• selective gold-plated</li> <li>• tin-plated</li> </ul>
surface contact / contact sleeve:	<b>Ni+4...6µm Sn</b>
type internal spring:	<b>spring contact</b>
plugability for circuit points:	<b>□0,6...0,65mm</b>
insert depth:	<b>≥6mm from above or from below</b>
insertion / drawing force:	<b>1.5 N/0.2 N</b>
volume resistance:	<b>≤20 mΩ</b>
capacity between two adjacent contacts:	<b>≤ 0,9 pF</b>
nominal current:	<b>3 A</b>
nominal voltage:	<b>250 V AC</b>
test voltage:	<b>500 V</b>
insulating body material:	<b>LCP</b>
temperature range:	<b>-55°C... +125°C</b>
class of inflammability:	<b>UL 94 V-0</b>
specific insulation resistance:	<b>&gt;10<sup>12</sup> Ω·m</b>
connection type:	<b>THT (soldering)</b>

## Technical Drawing



## X-ON Electronics

Largest Supplier of Electrical and Electronic Components

*Click to view similar products for [Headers & Wire Housings](#) category:*

*Click to view products by [Fisher](#) manufacturer:*

Other Similar products are found below :

[95000-104TRLF](#) [10135584-644402LF](#) [DF62W-EP2022PCA](#) [95000-106TRLF](#) [DF62W-2022SCA](#) [DF62W-EP2022PC](#) [2203348](#) [DF62W-2022SC](#) [1084018](#) [1029039](#) [1084017](#) [802-10-012-10-002000](#) [1112640](#) [1112639](#) [000-34000](#) [0009482033](#) [0009507031](#) [57102-S06-03LF](#) [57202-S52-04LF](#) [PCN6-15S-2.5E](#) [0039019024](#) [58102-G61-06LF](#) [582553-1](#) [0009485154](#) [0009508121](#) [0022285053](#) [0050291907](#) [018731A](#) [LY20-4P-DT1-P1E-BR](#) [02.125.8002.8](#) [60101931](#) [60598-1 \(Cut Strip\)](#) [M1625-3R/100](#) [61062-3](#) [61082-181009](#) [636-1427](#) [638009-1](#) [641938-9](#) [641991-4](#) [644168-1](#) [647662-1](#) [65039-019ELF](#) [65781-018](#) [65781-047](#) [65817-002LF](#) [65817-015LF](#) [65863-015LF](#) [66207-023LF](#) [67016-026LF](#) [67046-001LF](#)