

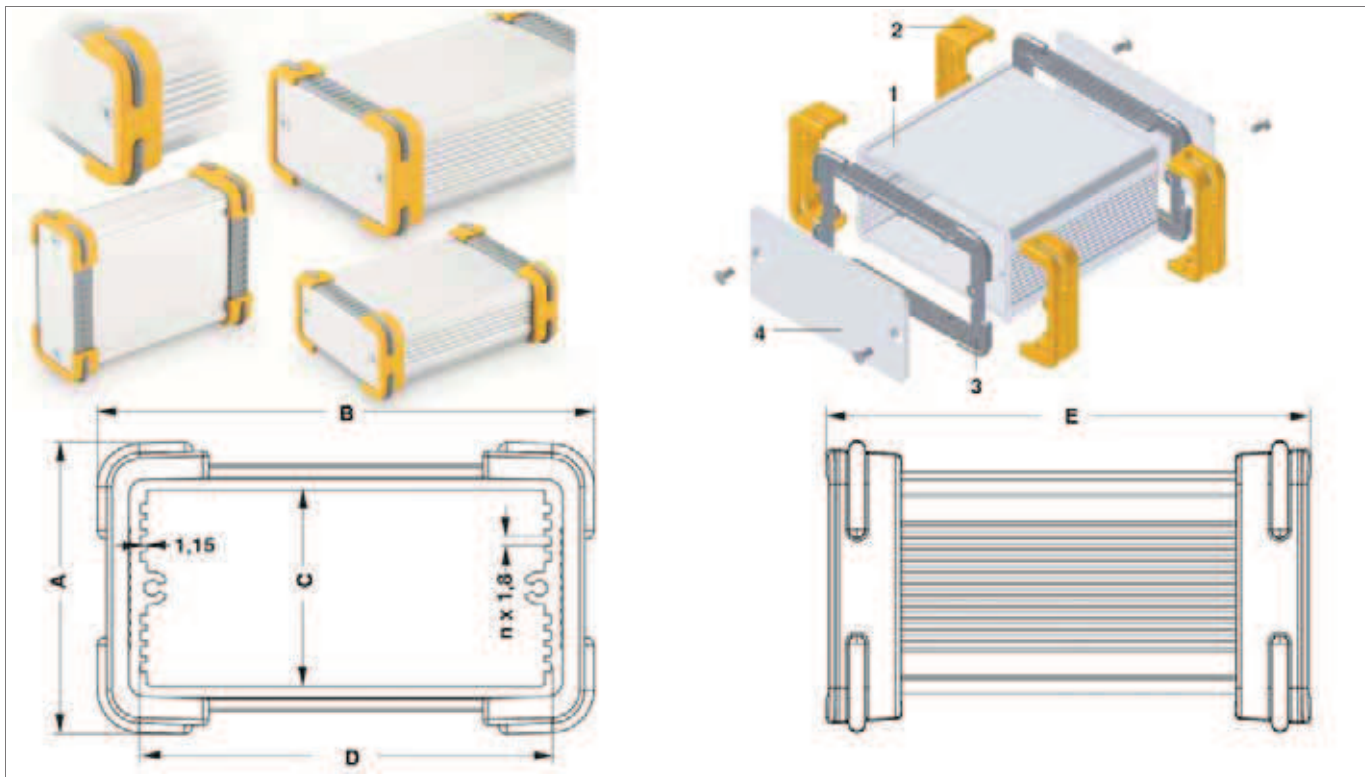
Design case „Frame“

- universal aluminium tube case with integrated guide slots for application of non-standardised components or circuit boards
- modern design in combination with a shock proof plastic cover and sealing for the use as desk case
- application possibilities for front foils or key pads
- EMC compatible version due to electrically conductive surfaces and sealings upon request
- special designs and treatments, modifications and versions due to customers specifications
- further colours and surface treatments upon request

E = available internal lengths + 14 mm

contents of delivery:

- 1** = 1 x basic profile
- 2** = 4 x plastic frame (similar **RAL 1007**)
- 3** = 2 x seal (similar **RAL 7005, no EMV**)
- 4** = 2 x cover plate (2 mm); mounting material



art. no.	dim. [mm]				
	A	B	C	D	n
FR 55 16 ...	24.0	63.6	11	43.1	1
FR 55 25 ...	33.0	63.6	20	51.0	3
FR 55 35 ...	43.0	63.6	30	51.0	7
FR 69 28 ...	36.0	77.7	23	65.1	5
FR 80 42 ...	53.5	91.0	36	75.2	9
FR 94 32 ...	40.0	102.9	27	90.3	7
FR 105 52 ...	63.5	116.0	46	100.3	13
FR 120 42 ...	53.5	131.0	36	115.2	9

please indicate:

... lengths

50 80 100 120 160 200 220 mm

... surface

SA = complete case black anodised
ME = complete case clear anodised
MS = case profile SA, cover panels ME

M 39

Design case Chac
 Design case Rail
 Miniature aluminium case
 Tube cases

→ M 38
 → M 41
 → M 25 – 29
 → M 21

Universal tube cases → M 20
 Tube cases with Eurocards → M 23
 Cooling case → M 31 – 34
 Cover panels due to customer's specif. → M 44

X-ON Electronics

Largest Supplier of Electrical and Electronic Components

Click to view similar products for [Fisher](#) manufacturer:

Other Similar products are found below :

[10027097](#) [10027118](#) [13-620-17](#) [AKG 105 22 160 ME](#) [AKG 105 26 120 ME](#) [AKG 105 26 80 SA](#) [AKG 105 30 100 ME](#) [AKG 105 30 120 ME](#)
[AKG 105 30 160 ME](#) [AKG 105 34 100 ME](#) [AKG 105 38 100 ME](#) [AKG 105 46 100 ME](#) [AKG 33 16 100 ME](#) [AKG 33 16 50 ME](#) [AKG 33 16](#)
[50 SA](#) [AKG 33 20 50 ME](#) [AKG 33 24 50 ME](#) [AKG 41 16 80 ME](#) [AKG 41 24 100 ME](#) [AKG 41 24 50 ME](#) [AKG 41 24 80 ME](#) [AKG 55 16 50](#)
[ME](#) [AKG 55 24 100 ME](#) [AKG 55 24 50 ME](#) [AKG 55 24 80 SA](#) [AKG 55 28 100 ME](#) [AKG 55 28 100 SA](#) [AKG 55 28 50 SA](#) [AKG 55 28 80](#)
[ME](#) [AKG 55 28 80 SA](#) [AKG 69 24 100 ME](#) [AKG 69 24 100 SA](#) [AKG 69 24 50 ME](#) [AKG 69 24 50 SA](#) [AKG 71 24 100 ME](#) [AKG 71 24 50](#)
[ME](#) [AKG 71 24 80 ME](#) [AKK 127](#) [AKK 191](#) [AOS 218 247](#) [AOS 218 247 1](#) [AOS 220](#) [AOS 220 4](#) [AOS 247](#) [AOS 3](#) [AOS 32](#) [AOS 3 P](#) [AOS](#)
[3 P 2](#) [AOS 3 P SL](#) [ASLG10G](#)