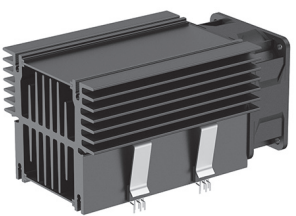
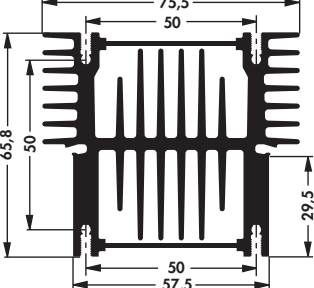
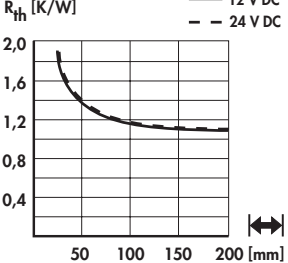



### Heatsink-cooling aggregates


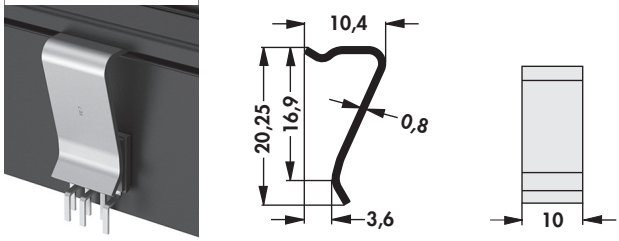
- with grooves for lock-in retaining springs THFU
- screw-in solder pin M 3 (**art. no.: ELS 3**)
- different lengths, special designs and machinings according to customer specifications
- different surfaces, fan types and fan voltages upon request

|                         |   |  |   |
|-------------------------|---|--|---|
| <b>art. no.</b>         |      |  |  |
| <b>LA 27 K ...</b>      |   |  |   |
| <b>please indicate:</b> | ...  | <b>... fan type</b>  |   |
|                         | 50 75 84 94 100 125 150 mm  | 12 = 12 V DC<br>24 = 24 V DC   |   |

### Technical data of the fans

|                                      | ... 12                            | ... 24                            |
|--------------------------------------|-----------------------------------|-----------------------------------|
| <b>type</b>                          | ebmpapst, ball bearing            | ebmpapst, ball bearing            |
| <b>dimensions</b>                    | 60x60x25 mm                       | 60x60x25 mm                       |
| <b>tension</b>                       | 12 V DC                           | 24 V DC                           |
| <b>power inout</b>                   | 2.9 W                             | 3 W                               |
| <b>max. air volume</b>               | 56 m <sup>3</sup> /h              | 56 m <sup>3</sup> /h              |
| <b>temperature range</b>             | -20°C... +70°C                    | -20°C... +70°C                    |
| <b>noise level</b>                   | 41 dB(A)                          | 41 dB(A)                          |
| <b>speed</b>                         | 6800 min <sup>-1</sup>            | 6850 min <sup>-1</sup>            |
| <b>weight</b>                        | 66 g                              | 66 g                              |
| <b>failure rate (L<sub>10</sub>)</b> | L <sub>10</sub> < 60.000 h (40°C) | L <sub>10</sub> < 60.000 h (40°C) |

### Lock-in retaining spring for transistors

| art. no.      | for transistor-housing | suitable for heatsinks  | spring force [N] | material        |  |
|---------------|------------------------|---|------------------|-----------------|---|
| <b>THFU 7</b> | eSIP                   | SK 480/<br>SK 482/<br>SK 483/<br>SK 487/<br>SK 490/<br>SK 492/<br>SK 495/<br>SK 573/<br>SK 574/<br>SK 576/<br>LAM 3 K | 46 ±5            | stainless steel |   |



## X-ON Electronics

Largest Supplier of Electrical and Electronic Components

*Click to view similar products for [CPU & Chip Coolers](#) category:*

*Click to view products by [Fisher](#) manufacturer:*

Other Similar products are found below :

[109X9112PT0H016](#) [FR2UFAN60HSW](#) [LGA1156 2U Cooler](#) [1960058073N001](#) [19FFD124010HB2A7-000001-RS](#) [109X6512A2016](#)  
[CEBF0127271803-00](#) [FHS-A9025S20](#) [109X9212PT0H016](#) [1960048820N001](#) [BXSTS200PNRW 915971](#) [AP0512MX-J90-4P-TA-LF](#) [CF-1150SE-R11](#) [1750000282](#) [AmITX-BT TM-FAN-ETT](#) [1960049408N001](#) [CF-775A-RS](#) [1960055362N011](#) [1960053065N001](#)  
[1960047831N001](#) [1960047670N001](#) [1960047669N001](#) [1750001660](#) [conga-IA5/CSP](#) [conga-B7XD/CSA-HP-T](#) [UPS-APL01-COOLER-A01](#)  
[EP-FNUPACTCLRDC](#) [CF1-0816-0400-0816A](#) [5078C111200E](#) [664-P4505MX-G90-LF](#) [890SP-01000-A-100](#) [890SP-02000-A-100](#) [890SP-03000-A-100](#) [890SP-01500-A-100](#) [890SP-02500-A-100](#) [109X7612H1126](#) [AP0412MX-J70-LF](#) [AP0505HX-J90-4P-TA-LF](#) [AP4512HX-J90-4P-TA-LF](#) [CC001](#) [CF2-0816-0805-1500NA](#) [conga-PA5/i-CSP-T](#) [FHE353526T710T](#) [FHS-K8020S00](#) [EP-FNDCACTCLUPS](#) [SK 570 25 SA](#)  
[ICK LED R 40 X 27](#) [BXSTS200C 915970](#) [BXSTS200P 915972](#) [LA 27 K 75 ME 12 V](#)