

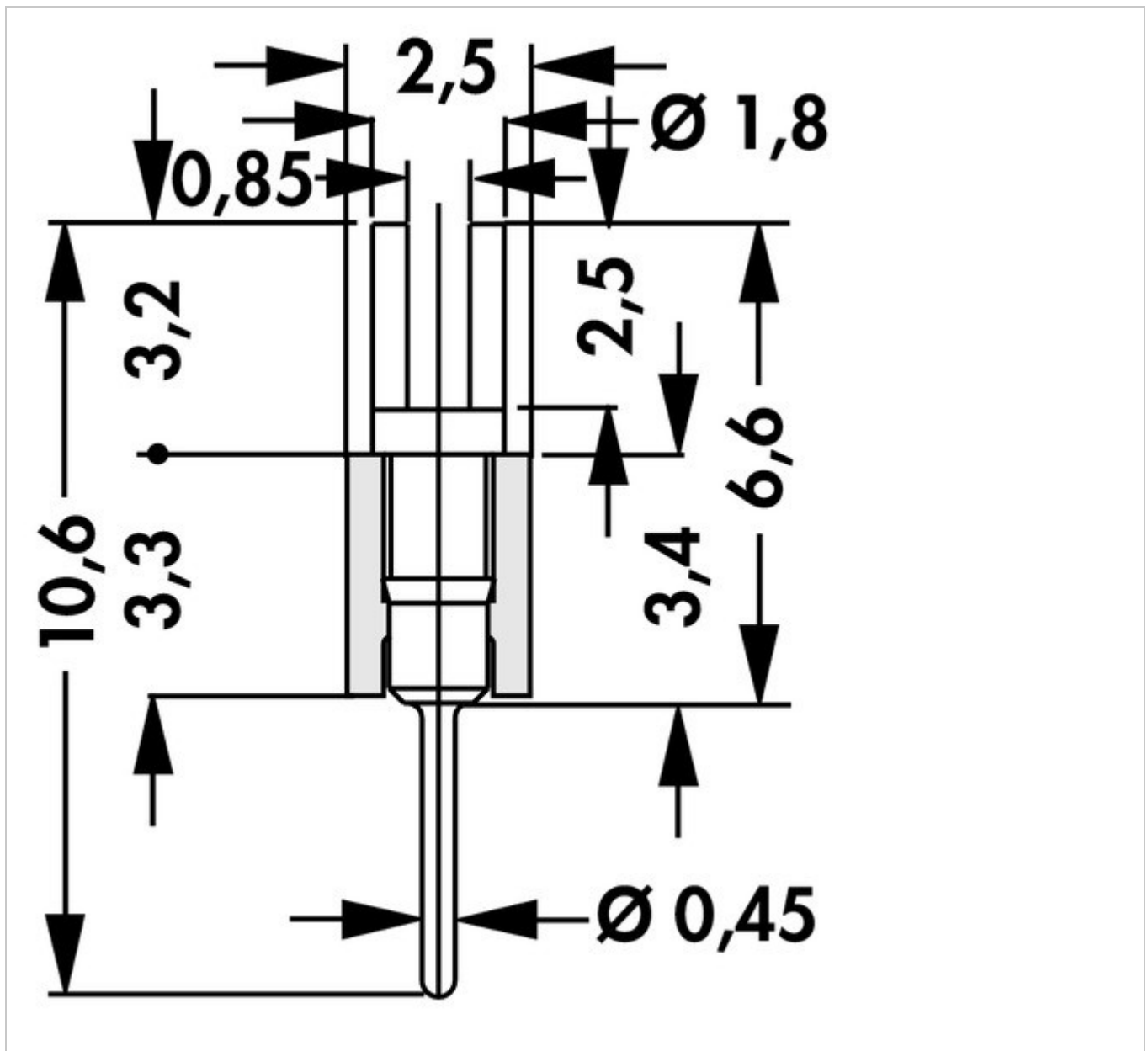
Data sheet Product MK 02 8 Z

PCB connectors>Male headers
Solder and plug pins, Ø 0.5 mm Also available as single contact, SK ...

Features

grid:	2.54 mm
no. of contacts:	8
contact material:	CuZn-alloy
surface of contact:	tin-plated
surface contact / contact sleeve:	<ul style="list-style-type: none"> • Ni+≥0.2µm Au • Ni+4...6µm Sn
version:	with soldering fork
shock resistance:	50 g
volume resistance:	≤10 mΩ
vibration resistance max.:	15 g
capacity between two adjacent contacts:	≤0,4 pF
nominal current:	1.5 A
nominal voltage:	60 V DC
test voltage:	1000 V
insulating body material:	PA 4.6. GF
temperature range:	<ul style="list-style-type: none"> • -40°C... +163°C • (260°C/10 s)
class of inflammability:	UL 94 V-0
specific insulation resistance:	>10⁷ Ω·m
connection type:	THT (soldering)
reflow solderable:	yes

Technical Drawing



Fischer Elektronik GmbH & Co. KG
DEUTSCHLAND • GERMANY • ALLEMAGNE

Nottebohmstraße 28
58511 Lüdenscheid

Telefon +49 2351 435-0
Telefax +49 2351 45754

info@fischerelektronik.de
www.fischerelektronik.de

X-ON Electronics

Largest Supplier of Electrical and Electronic Components

Click to view similar products for [Headers & Wire Housings](#) category:

Click to view products by [Fisher](#) manufacturer:

Other Similar products are found below :

[95000-104TRLF](#) [10135584-644402LF](#) [DF62W-EP2022PCA](#) [95000-106TRLF](#) [DF62W-2022SCA](#) [DF62W-EP2022PC](#) [2203348](#) [DF62W-2022SC](#) [1084018](#) [1029039](#) [1084017](#) [802-10-012-10-002000](#) [1112640](#) [1112639](#) [891-007-9SS-BST1T](#) [000-34000](#) [0008550134](#) [0009482033](#) [0009507031](#) [57102-F02-18ULF](#) [57102-S06-03LF](#) [57202-S52-04LF](#) [PCN6-15S-2.5E](#) [0039019024](#) [58102-G61-06LF](#) [582553-1](#) [0009485154](#) [0009508121](#) [0022285053](#) [0050291907](#) [018731A](#) [LY20-4P-DT1-P1E-BR](#) [02.125.8002.8](#) [60101931](#) [60598-1 \(Cut Strip\)](#) [M1625-3R/100](#) [61062-3](#) [61082-181009](#) [CSU011177004](#) [636-1427](#) [638009-1](#) [641938-9](#) [641991-4](#) [644168-1](#) [644827-2](#) [647662-1](#) [65039-019ELF](#) [65692-001LF](#) [65781-018](#) [65781-047](#)