

# AUTOTUBE DISPENSER



Specific items sold separately



**I&J FISNAR INC.**

2-07 Banta Place, Fair Lawn, NJ 07410-3002 USA  
TEL. (201)796 - 1477 FAX. (201)794 - 7034  
info@ijfisar.com http://www.ijfisar.com

# AUTOTUBE DISPENSER

The autotube system was designed for use with the model DSP501A automatic dispenser. The system was engineered to address the waste and discomfort that result when dispensing from collapsible tubes.

With the autotube method, a nozzle adapter is simply connected to the material tube. The tube and adapter are then inserted into a cartridge reservoir and the assembly secured within a high-pressure retainer. The dispense cycle is controlled by the DSP501A.

The retainer can be supported in an optional gun handle with a trigger switch to actuate the DSP501A or mounted on an optional stand and activated using a foot switch.

The autotube comes in three sizes:

- ◆ ATD-100C – Autotube dispenser 6 oz for 100 gm tube
- ◆ ATD-200C – Autotube dispenser 8 oz for 200 gm tube
- ◆ ATD-300C – Autotube dispenser 1/10 gallon for 300 gm tube

## Standard accessories

QTY	PART #	DESCRIPTION	ATD-100C	ATD-200C	ATD-300C
1	560059	Connecting hose	4	4	
1	560062A	6oz cartridge	4		
1	560517A	8oz cartridge		4	
1	560068A	6oz cartridge retainer	4		
1	560520A	8oz cartridge retainer		4	
1	560065A	Retaining cap	4	4	
1	560545	Tip adapter	4	4	4
1	880001 II	Autotube adapter	4	4	4
1	560516A	1/10 gallon cartridge			4
1	580091A	1/10 g. retainer & cap			4

- II Suggest first time users supply sample of the collapsible tube so that we can recommend the appropriate autotube adapter.



# I&J FISNAR INC.

2-07 Banta Place, Fair Lawn, NJ 07410-3002 USA  
 TEL. (201)796 - 1477 FAX. (201)794 - 7034  
 info@ijfisnar.com http://www.ijfisnar.com

## TECHNICAL SERVICE INFORMATION

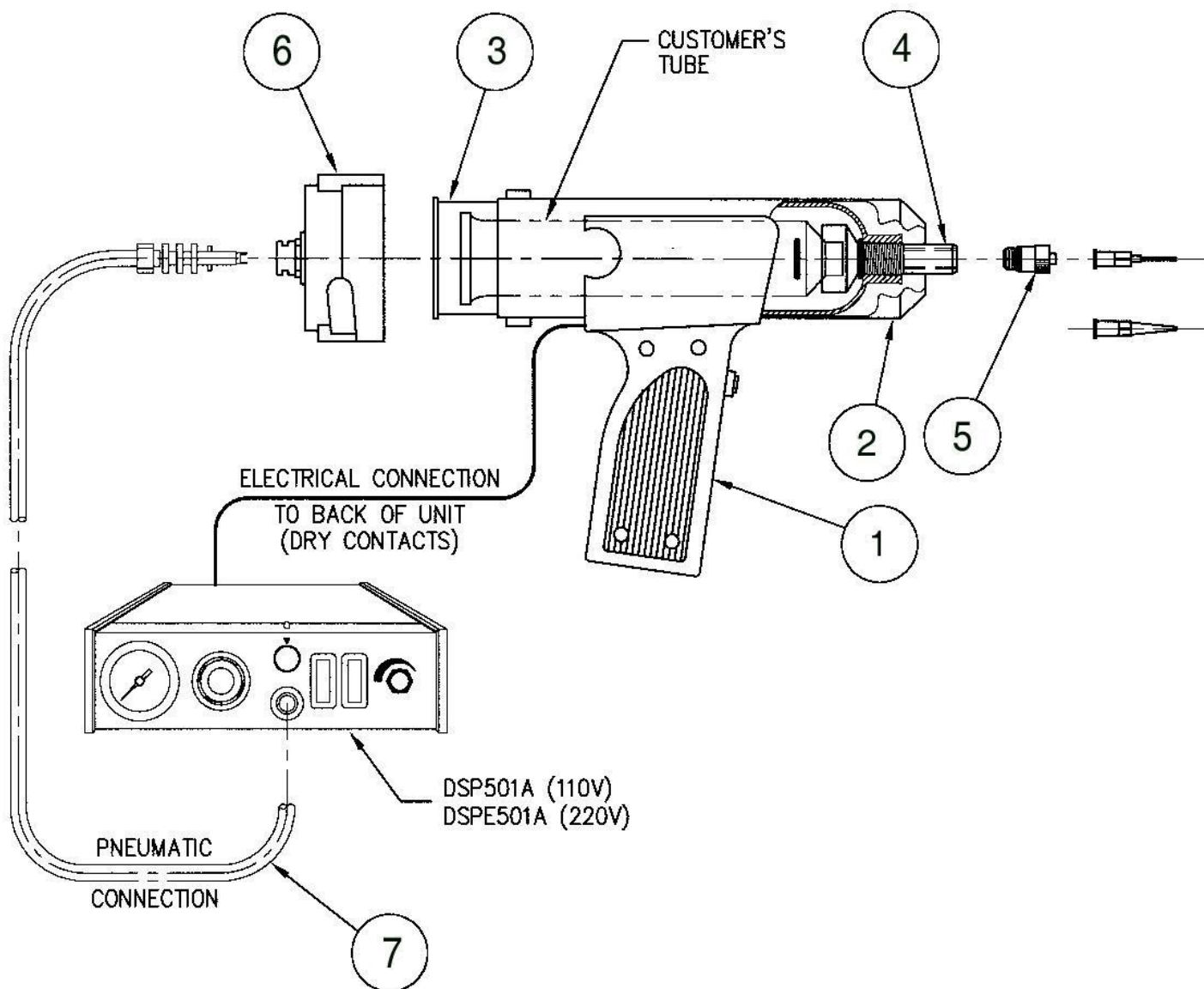
SHEET 1 OF 1

### REVISION

A MAY 10, 2000

### PRODUCT DESCRIPTION

## AUTOTUBE DISPENSER



NO.	PART NUMBER	DESCRIPTION	QTY.
7	560059	5 FT CONNECTING HOSE	1
6	560065A	RETAINER CAP	1
5	560545	TIP ADAPTER	1
4	880001	AUTOTUBE ADAPTER	1
3	560062A	6 OZ CARTRIDGE	1
2	560068A	6 OZ CARTRIDGE RETAINER	1
1	560598	GUN HANDLE AND SWITCH ASSEMBLY	1

DRAWN BY: G.O. BEUTEL

DATE DRAWN: 4/25/00

FILE NAME: AUTOTUBE.DWG

## X-ON Electronics

Largest Supplier of Electrical and Electronic Components

*Click to view similar products for [Fisnar](#) manufacturer:*

Other Similar products are found below :

[0401-08-000460](#) [0410-08-000318](#) [381-600-PB](#) [381-8425-AB](#) [381-8425-AC](#) [381-8425-PC](#) [560027D](#) [560047](#) [560048](#) [560049](#) [560050](#)  
[560051](#) [560069W-LF](#) [5601034](#) [5601035](#) [5601036](#) [5601051](#) [5601053](#) [5601054](#) [5601056](#) [5601058](#) [5601071](#) [5601129](#) [5601157](#) [5601159](#)  
[5601160](#) [5601161](#) [5601162](#) [5601163](#) [5601164](#) [5601165](#) [5601167](#) [5601170](#) [5601172](#) [5601173](#) [5601238](#) [0401-08-000174](#) [5601240](#)  
[0401-08-000176](#) [5601245](#) [0401-08-000181](#) [5601247](#) [0401-08-000183](#) [5601252](#) [5601275](#) [5601276](#) [5601277](#) [5601278](#) [5601280](#) [5601309](#)  
[5601354](#) [5601358](#) [5601380](#) [5601469](#)