

18V, 2A, 500KHz Synchronous Step-Down DC/DC Converter

Description

The FR9881 is a synchronous step-down DC/DC converter that provides wide 4.5V to 18V input voltage range and 2A load current capability. At light load condition, the FR9881 can operate at power saving mode to support high efficiency and reduce power loss.

The FR9881 fault protection includes cycle-by-cycle current limit, UVLO and thermal shutdown. Soft-start period depends on external EN/SS resistor adjustment. Soft-start function prevents inrush current at turn-on. This device uses current mode to control scheme which provides fast transient response. Internal compensation function reduces external compensation components and simplifies the design process. In shutdown mode, the supply current is about 1 μ A.

The FR9881 is offered in SOT-23-6 package, which provides a very compact system solution.

Pin Assignments

S6 Package (SOT-23-6)

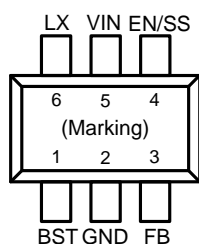


Figure 1. Pin Assignment of FR9881

Features

- Low $R_{DS(ON)}$ Integrated Power MOSFET (150m Ω /85m Ω)
- Internal Compensation Function
- Wide Input Voltage Range: 4.5V to 18V
- 0.6V Reference Voltage
- 2A Output Current
- 500kHz Switching Frequency
- Soft-Start Period Depends on EN/SS Resistor Adjustment
- Cycle-by-Cycle Current Limit
- Hiccup Short Circuit Protection
- Over-Temperature Protection with Auto Recovery
- Input Under Voltage Lockout
- SOT-23-6 Package

Applications

- STB (Set-Top-Box)
- LCD Display, TV
- Distributed Power System
- Networking, XDSL Modem

Ordering Information

FR9881 Package Type
S6: SOT-23-6

SOT-23-6 Marking

Part Number	Product Code
FR9881S6	FN3

Typical Application Circuit

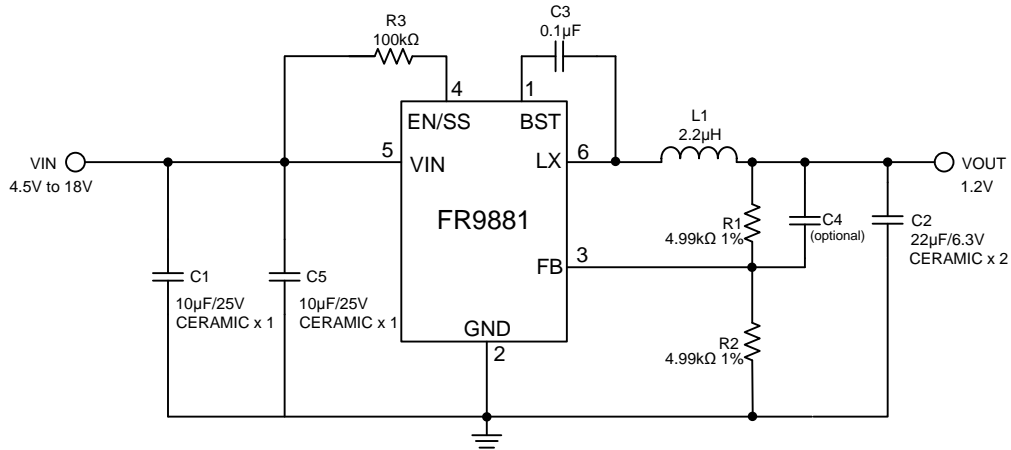


Figure 2. C_{IN}/C_{OUT} use Ceramic Capacitors Application Circuit

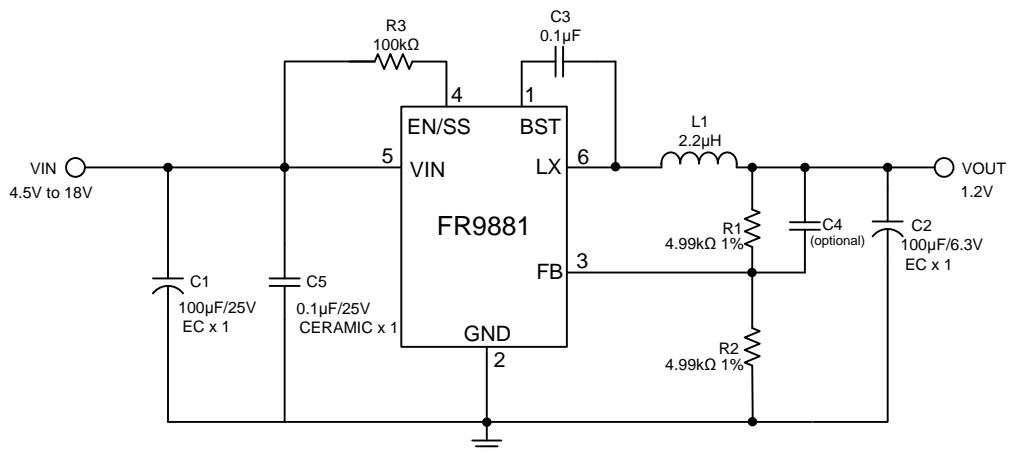


Figure 3. C_{IN}/C_{OUT} use Electrolytic Capacitors Application Circuit

V_{IN}=12V, the recommended BOM list is as below.

V _{OUT}	C1	R1	R2	C5	C4	L1	C2
1.2V	10μF MLCC	4.99kΩ	4.99kΩ	10μF MLCC	10pF~10nF	2.2uH	22μF MLCC x2
1.8V	10μF MLCC	30.9kΩ	15.4kΩ	10μF MLCC	10pF~10nF	3.3uH	22μF MLCC x2
2.5V	10μF MLCC	30.9kΩ	9.76kΩ	10μF MLCC	10pF~10nF	4.7uH	22μF MLCC x2
3.3V	10μF MLCC	30kΩ	6.65kΩ	10μF MLCC	10pF~10nF	4.7uH	22μF MLCC x2
5V	10μF MLCC	30.9kΩ	4.22kΩ	10μF MLCC	10pF~10nF	6.8uH	22μF MLCC x2
1.2V	100μF EC	4.99kΩ	4.99kΩ	0.1μF	--	2.2uH	100μF EC
1.8V	100μF EC	30.9kΩ	15.4kΩ	0.1μF	--	3.3uH	100μF EC
2.5V	100μF EC	30.9kΩ	9.76kΩ	0.1μF	--	4.7uH	100μF EC
3.3V	100μF EC	30kΩ	6.65kΩ	0.1μF	--	4.7uH	100μF EC
5V	100μF EC	30.9kΩ	4.22kΩ	0.1μF	--	6.8uH	100μF EC

Table 1. Recommended Component Values

Functional Pin Description

Pin Name	Pin No.	Pin Function
BST	1	High side gate drive boost pin. A capacitance between 10nF to 100nF must be connected from this pin to LX. It can boost the gate drive to fully turn on the internal high side NMOS.
GND	2	Ground pin.
FB	3	Voltage feedback input pin. Connect FB and V_{OUT} with a resistive voltage divider. This IC senses feedback voltage via FB and regulates it at 0.6V.
EN/SS	4	Enable/Soft-start pin. This pin include two function controls: 1. Enable function :control input that turns the converter on or off 2. Soft-start function :soft-start period depends on external EN/SS resistor adjustment. Connect a resistor to VIN for self-startup. (Soft-start setting, please refer to the following page 10 table 2).
VIN	5	Power supply input pin. Placed input capacitors as close as possible from VIN to GND to avoid noise influence.
LX	6	Power switching node. Connect an external inductor to this switching node.

Block Diagram

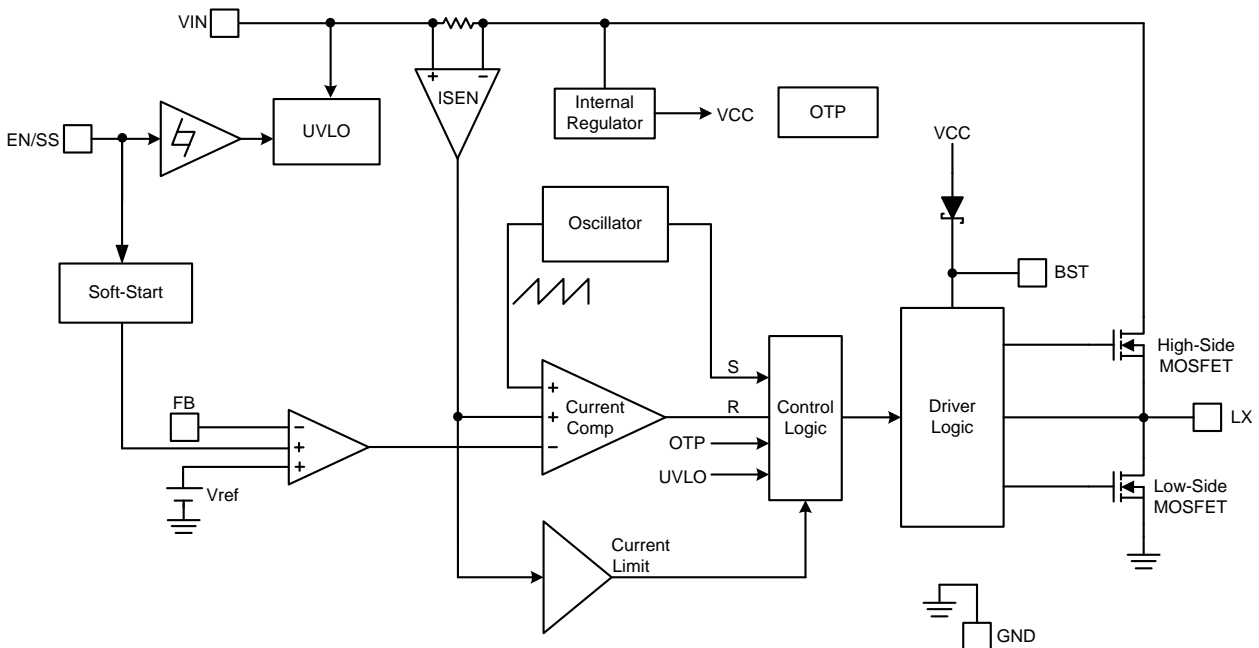


Figure 4. Block Diagram of FR9881

Absolute Maximum Ratings (Note 1)

• Supply Voltage V_{IN} -----	-0.3V to +20V
• Enable Voltage $V_{EN/SS}$ -----	-0.3V to +20V
• LX Voltage V_{LX} -----	-1V to $V_{IN}+0.3V$
• Dynamic LX Voltage in 15ns Duration-----	-5V to $V_{IN}+5V$
• BST Pin Voltage V_{BST} -----	$V_{LX}-0.3V$ to $V_{LX}+6V$
• All Other Pins Voltage -----	-0.3V to +6V
• Maximum Junction Temperature (T_J) -----	+150°C
• Storage Temperature (T_S) -----	-65°C to +150°C
• Lead Temperature (Soldering, 10sec.) -----	+260°C
• Power Dissipation @ $T_A=25^\circ C$ & $T_J=125^\circ C$, (P_D)	
SOT-23-6 -----	0.4W
• Package Thermal Resistance (θ_{JA})	
SOT-23-6 -----	250°C/W
• Package Thermal Resistance (θ_{JC})	
SOT-23-6 -----	110°C/W

Note 1 : Stresses beyond this listed under "Absolute Maximum Ratings" may cause permanent damage to the device.

Recommended Operating Conditions

• Supply Voltage V_{IN} -----	+4.5V to +18V
• Operation Temperature Range -----	-40°C to +85°C

Electrical Characteristics

($V_{IN}=12V$, $T_A=25^{\circ}C$, unless otherwise specified.)

Parameter	Symbol	Conditions	Min	Typ	Max	Unit
V_{IN} Input Supply Voltage	V_{IN}		4.5		18	V
V_{IN} Quiescent Current	I_{DDQ}	$V_{EN/SS}=2V$, $V_{FB}=1.0V$		1	1.2	mA
V_{IN} Shutdown Supply Current	I_{SD}	$V_{EN/SS}=0V$		1	3	μA
Feedback Voltage	V_{FB}	$4.5V \leq V_{IN} \leq 18V$	0.585	0.6	0.615	V
High-Side MOSFET $R_{DS(ON)}$ (Note 2)	$R_{DS(ON)}$			150		m Ω
Low-Side MOSFET $R_{DS(ON)}$ (Note 2)	$R_{DS(ON)}$			85		m Ω
High-Side MOSFET Leakage Current	$I_{LX(leak)}$	$V_{EN/SS}=0V$, $V_{LX}=0V$			10	μA
High-Side MOSFET Current Limit (Note 2)	$I_{LIMIT(HS)}$	Minimum Duty		3.5		A
Oscillation Frequency	F_{OSC}		400	500	600	kHz
Short Circuit Oscillation Frequency	$F_{OSC(short)}$	$V_{FB}=0V$		150		kHz
Maximum Duty Cycle	D_{MAX}	$V_{FB}=0.4V$		85		%
Minimum On Time (Note 2)	T_{MIN}			100		ns
Input Supply Voltage UVLO Threshold	$V_{UVLO(Vth)}$	V_{IN} Rising		4.3		V
Input Supply Voltage UVLO Threshold Hysteresis	$V_{UVLO(HYS)}$			400		mV
Adjustable Soft-Start Period	T_{SS}	$V_{EN/SS}=5V$, $R_3=100k\Omega$		1		ms
EN/SS Input Low Voltage	$V_{EN/SS(L)}$				0.4	V
EN/SS Input High Voltage	$V_{EN/SS(H)}$		2			V
Thermal Shutdown Threshold (Note 2)	T_{SD}			160		$^{\circ}C$

Note 2 : Not production tested.

Typical Performance Curves

$V_{IN}=12V$, $V_{OUT}=3.3V$, $C1=10\mu F \times 2$, $C2=22\mu F \times 2$, $L1=4.7\mu H$, $T_A=+25^\circ C$, unless otherwise noted.

$I_{OUT}=0A$

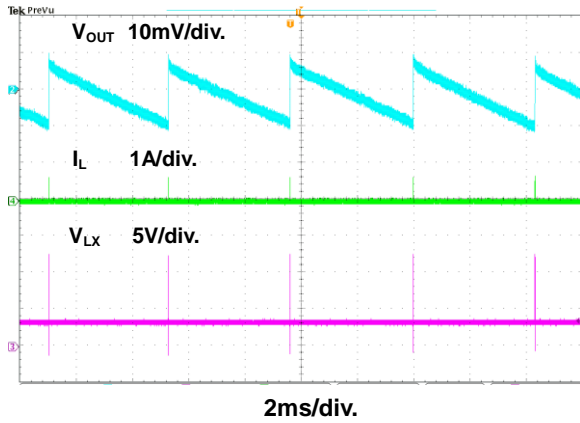


Figure 5. Steady State Waveform

$I_{OUT}=2A$

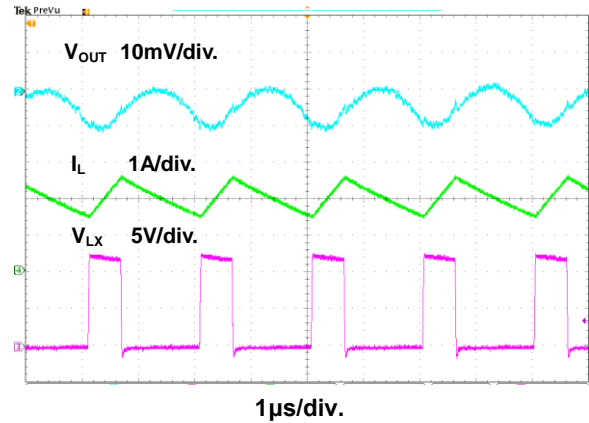


Figure 6. Steady State Waveform

$I_{OUT}=0A$

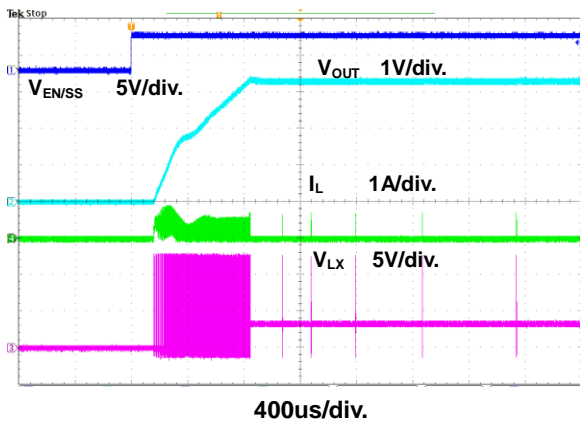


Figure 7. Power On through EN/SS Waveform

$I_{OUT}=2A$

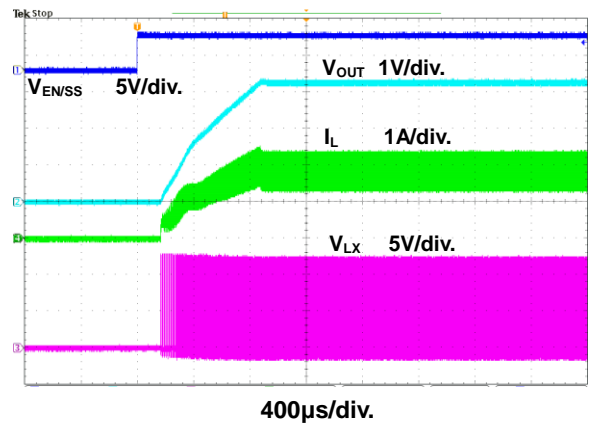


Figure 8. Power On through EN/SS Waveform

$I_{OUT}=0A$

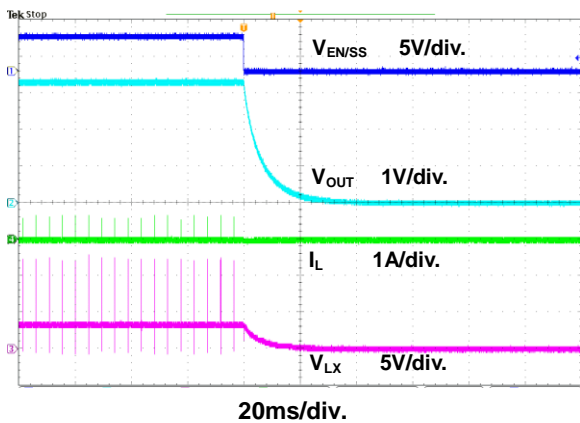


Figure 9. Power Off through EN/SS Waveform

$I_{OUT}=2A$

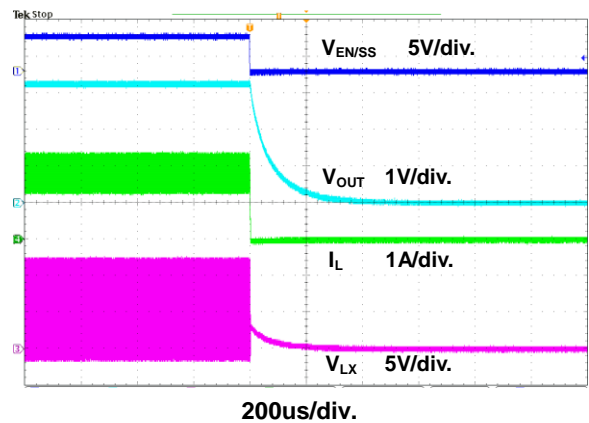


Figure 10. Power Off through EN/SS Waveform

Typical Performance Curves (Continued)

$V_{IN}=12V$, $V_{OUT}=3.3V$, $C1=10\mu F \times 2$, $C2=22\mu F \times 2$, $L1=4.7\mu H$, $T_A=+25^\circ C$, unless otherwise noted.

$I_{OUT}=0A$

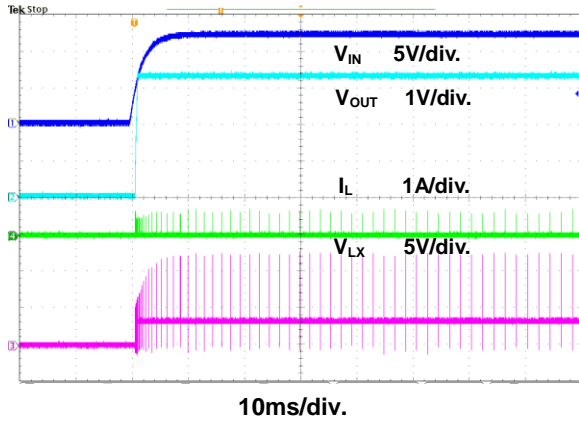


Figure 11. Power On through VIN Waveform

$I_{OUT}=2A$

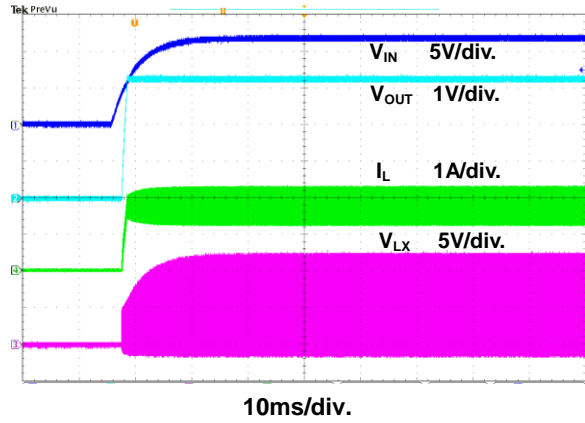


Figure 12. Power On through VIN Waveform

$I_{OUT}=0A$

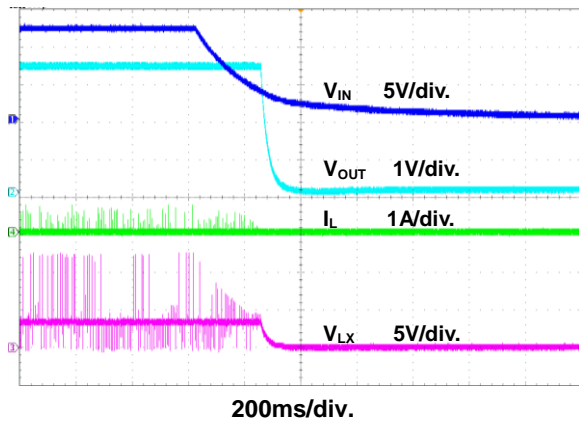


Figure 13. Power Off through VIN Waveform

$I_{OUT}=2A$

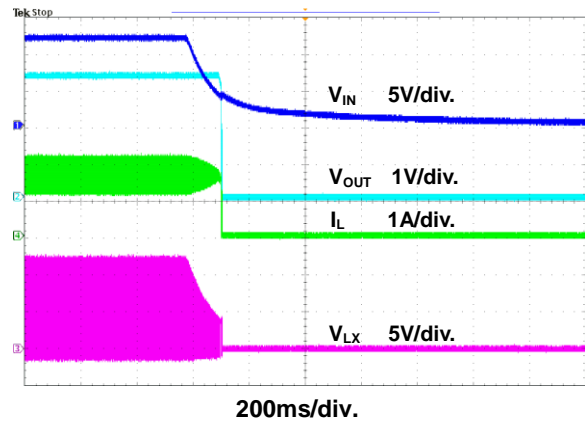


Figure 14. Power Off through VIN Waveform

$I_{OUT}=1A$ to $2A$

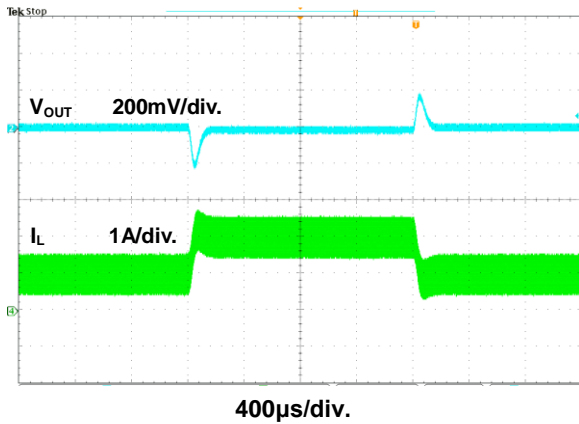


Figure 15. Load Transient Waveform

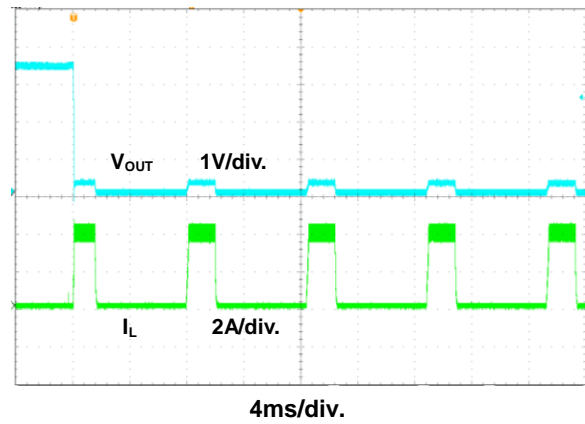


Figure 16. Short Circuit Test

Typical Performance Curves (Continued)

V_{OUT}=1.2V

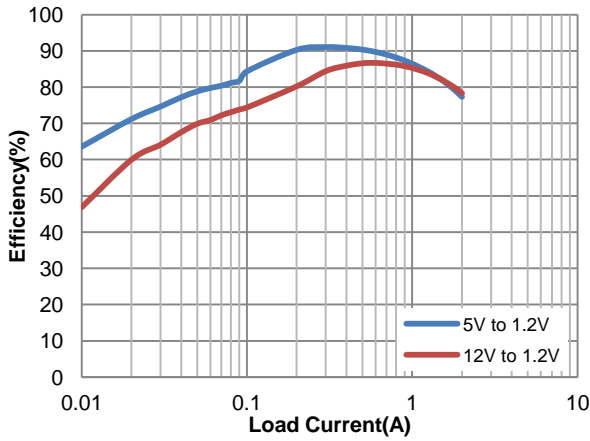


Figure 17. Efficiency vs. Load Current

V_{OUT}=3.3V

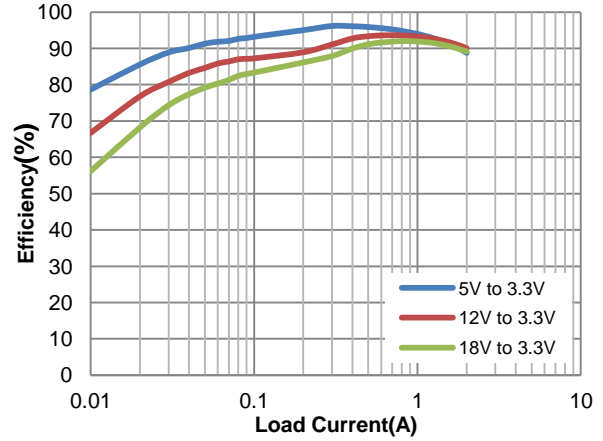


Figure 18. Efficiency vs. Load Current

V_{OUT}=5V

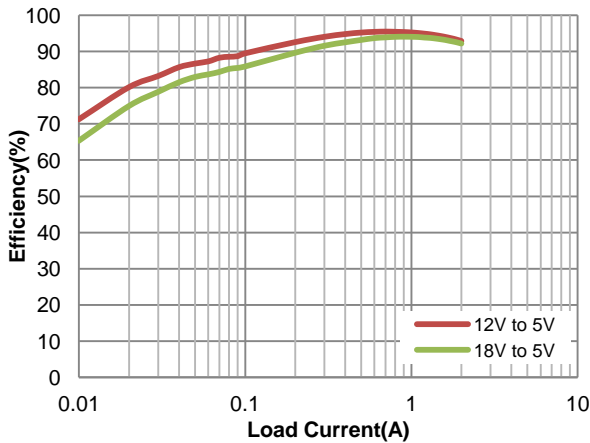


Figure 19. Efficiency vs. Load Current

I_{OUT}=600mA

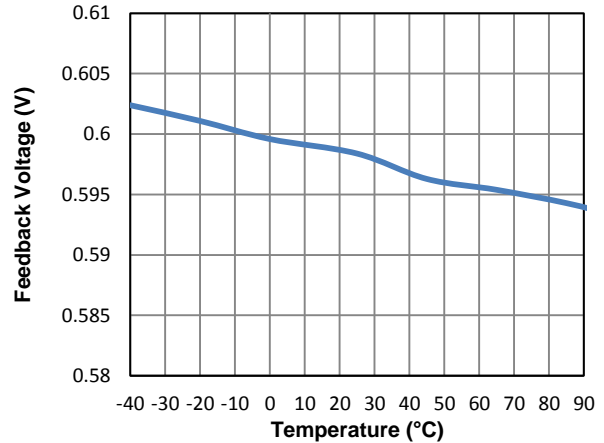


Figure 20. Feedback Voltage vs. Temperature

I_{OUT}=600mA

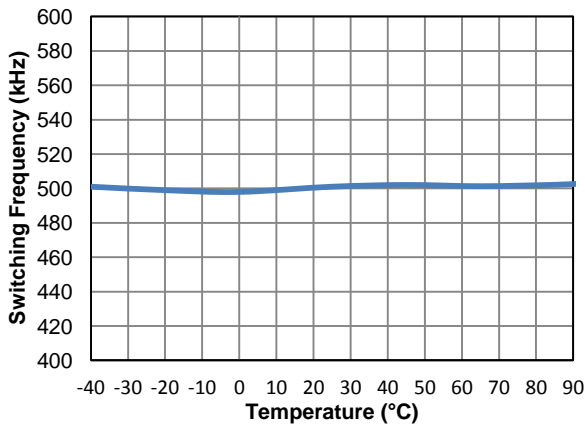


Figure 21. Switching Frequency vs. Temperature

Function Description

The FR9881 is a high efficiency, internal compensation, and constant frequency current mode step-down synchronous DC/DC converter. It has integrated high-side (150mΩ, typ) and low-side (85mΩ, typ) power switches, and provides 2A load current. It regulates input voltage from 4.5V to 18V, and down to an output voltage as low as 0.6V.

Control Loop

Under normal operation, the output voltage is sensed by FB pin through a resistive voltage divider and amplified through the error amplifier. The voltage of error amplifier output is compared to the switch current to control the RS latch. At the beginning of each clock cycle, the high-side NMOS turns on when the oscillator sets the RS latch, and turns off when current comparator resets the RS latch. Then the low-side NMOS turns on until the clock period ends.

Internal Compensation Function

The stability of the feedback circuit is controlled through internal compensation circuits. This internal compensation function is optimized for most applications and this function can reduce external R, C components.

Enable/Soft-Start

EN/SS pin includes enable and soft-start function. Enable function provides digital control to turn on/off the converter. When EN/SS voltage exceeds threshold voltage, soft-start function will start. If EN/SS voltage is below the shutdown threshold voltage, the converter will turn into the shutdown mode. Soft-start function employs external EN/SS resistor to control soft-start period to reduce input inrush current during start up. Please refer to P.10 for soft-start setting.

Input Under Voltage Lockout

When the FR9881 is power on, the internal circuits are held inactive until V_{IN} voltage exceeds the input UVLO threshold voltage. And the regulator will be disabled when V_{IN} is below the input UVLO threshold voltage. The hysteresis of the UVLO comparator is 400mV (typ).

Over Current Protection

The FR9881 over current protection function is implemented using cycle-by-cycle current limit architecture. The inductor current is monitored by measuring the high-side MOSFET series sense resistor voltage. When the load current increases, the inductor current also increases. When the peak inductor current reaches the current limit threshold, the output voltage starts to drop. When the over current condition is removed, the output voltage returns to the regulated value.

Short Circuit Protection

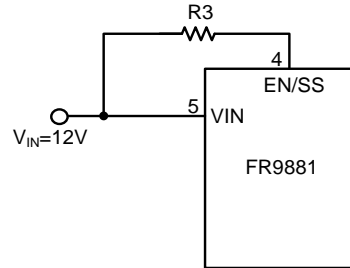
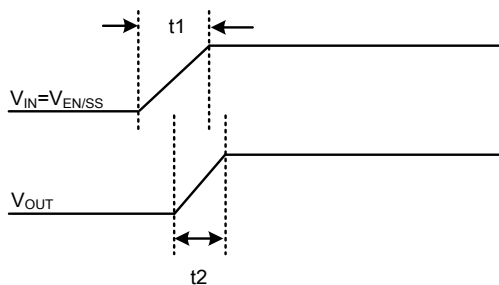
The FR9881 provides short circuit protection function to prevent the device damage from short condition. When the short condition occurs and the feedback voltage drops lower than 0.3V, the oscillator frequency will be reduced to 150kHz and hiccup mode will be triggered to prevent the inductor current increasing beyond the current limit. Once the short condition is removed, the frequency will return to normal.

Over Temperature Protection

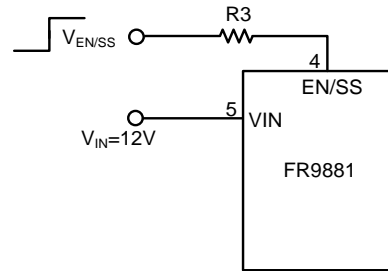
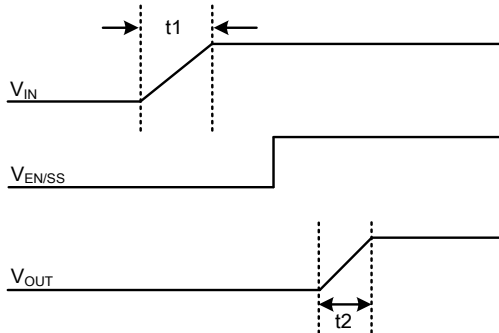
The FR9881 incorporates an over temperature protection circuit to protect itself from overheating. When the junction temperature exceeds the thermal shutdown threshold temperature, the regulator will be shutdown. And the hysteresis of the over temperature protection is 40°C (typ).

Soft-Start Time Setting

Power on(VIN control)



Power on(EN control)



Parameters Description

Parameters	Description	Value
V_{IN}	Input operation voltage	12V
$V_{EN/SS}$	Enable & soft-start operation voltage	5V
t_1	V_{IN} rising time	12ms
t_2	V_{OUT} soft-start time	soft-start period depends on R3 resistor adjustment

Figure 22. Soft-Start Setting Diagram

Soft-start time depends on EN/SS resistor adjustment

R3 (Ω)	VIN control	VEN control
	Soft-Start Time (ms)	
0	0.5	0.5
100k	1	1
500k	5	5

Table 2. Soft-Start Setting

Application Information

Output Voltage Setting

The output voltage V_{OUT} is set using a resistive divider from the output to FB. The FB pin regulated voltage is 0.6V. Thus the output voltage is:

$$V_{OUT} = 0.6V \times \left(1 + \frac{R1}{R2}\right)$$

Table 2 lists recommended values of R1 and R2 for most used output voltage.

Table 2 Recommended Resistance Values

V_{OUT}	R1	R2
5V	30.9k Ω	4.22k Ω
3.3V	30k Ω	6.65k Ω
2.5V	30.9k Ω	9.76k Ω
1.8V	30.9k Ω	15.4k Ω
1.2V	4.99k Ω	4.99k Ω

Place resistors R1 and R2 close to FB pin to prevent stray pickup.

Input Capacitor Selection

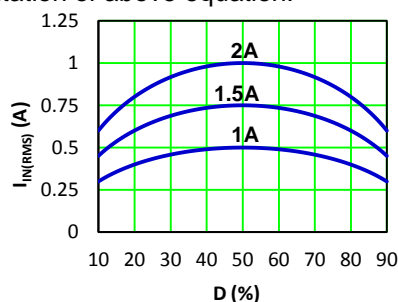
The use of the input capacitor is filtering the input voltage ripple and the MOSFETS switching spike voltage. Because the input current to the step-down converter is discontinuous, the input capacitor is required to supply the current to the converter to keep the DC input voltage. The capacitor voltage rating should be 1.25 to 1.5 times greater than the maximum input voltage. The input capacitor ripple current RMS value is calculated as:

$$I_{IN(RMS)} = I_{OUT} \times \sqrt{D \times (1-D)}$$

$$D = \frac{V_{OUT}}{V_{IN}}$$

Where D is the duty cycle of the power MOSFET.

This function reaches the maximum value at $D=0.5$ and the equivalent RMS current is equal to $I_{OUT}/2$. The following diagram is the graphical representation of above equation.



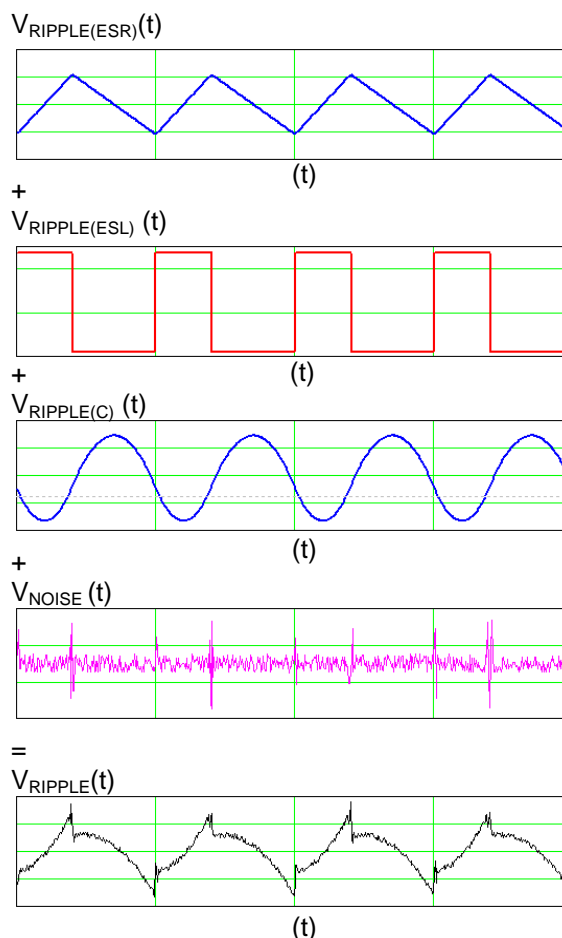
A low ESR capacitor is required to keep the noise minimum. Ceramic capacitors are better, but tantalum or low ESR electrolytic capacitors may also suffice. When using tantalum or electrolytic capacitors, a 0.1 μ F ceramic capacitor should be placed as close to the IC as possible.

Output Capacitor Selection

The output capacitor is used to keep the DC output voltage and supply the load transient current. When operating in constant current mode, the output ripple is determined by four components:

$$V_{RIPPLE}(t) = V_{RIPPLE(C)}(t) + V_{RIPPLE(ESR)}(t) + V_{RIPPLE(ESL)}(t) + V_{NOISE}(t)$$

The following figures show the form of the ripple contributions.



Application Information (Continued)

$$V_{\text{RIPPLE(ESR)}} = \frac{V_{\text{OUT}}}{F_{\text{OSC}} \times L} \times \left(1 - \frac{V_{\text{OUT}}}{V_{\text{IN}}}\right) \times \text{ESR}$$

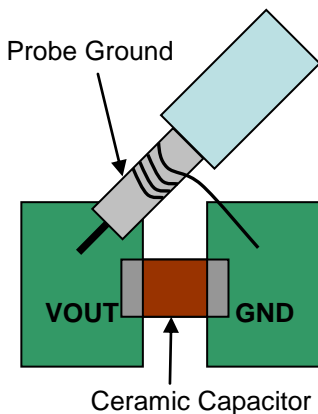
$$V_{\text{RIPPLE(ESL)}} = \frac{\text{ESL}}{L + \text{ESL}} \times V_{\text{IN}}$$

$$V_{\text{RIPPLE(C)}} = \frac{V_{\text{OUT}}}{8 \times F_{\text{OSC}}^2 \times L \times C_{\text{OUT}}} \times \left(1 - \frac{V_{\text{OUT}}}{V_{\text{IN}}}\right)$$

Where F_{OSC} is the switching frequency, L is the inductance value, V_{IN} is the input voltage, ESR is the equivalent series resistance value of the output capacitor, ESL is the equivalent series inductance value of the output capacitor and the C_{OUT} is the output capacitor.

Low ESR capacitors are preferred to use. Ceramic, tantalum or low ESR electrolytic capacitors can be used depending on the output ripple requirement. When using the ceramic capacitors, the ESL component is usually negligible.

It is important to use the proper method to eliminate high frequency noise when measuring the output ripple. The figure shows how to locate the probe across the capacitor when measuring output ripple. Removing the scope probe plastic jacket in order to expose the ground at the tip of the probe. It gives a very short connection from the probe ground to the capacitor and eliminating noise.



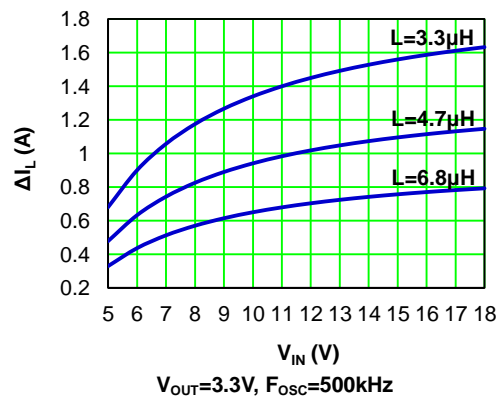
Inductor Selection

The output inductor is used for storing energy and filtering output ripple current. But the trade-off condition often happens between maximum energy storage and the physical size of the inductor. The first consideration for selecting the output inductor is to make sure that the inductance is large enough to keep the converter in the continuous current mode.

That will lower ripple current and result in lower output ripple voltage. The ΔI_L is inductor peak-to-peak ripple current:

$$\Delta I_L = \frac{V_{\text{OUT}}}{F_{\text{OSC}} \times L} \times \left(1 - \frac{V_{\text{OUT}}}{V_{\text{IN}}}\right)$$

The following diagram is an example to graphical represent ΔI_L equation.



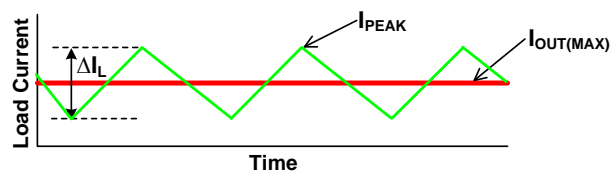
A good compromise value between size and efficiency is to set the peak-to-peak inductor ripple current ΔI_L equal to 30% of the maximum load current. But setting the peak-to-peak inductor ripple current ΔI_L between 20%~50% of the maximum load current is also acceptable. Then the inductance can be calculated with the following equation:

$$\Delta I_L = 0.3 \times I_{\text{OUT(MAX)}}$$

$$L = \frac{(V_{\text{IN}} - V_{\text{OUT}}) \times V_{\text{OUT}}}{V_{\text{IN}} \times F_{\text{OSC}} \times \Delta I_L}$$

To guarantee sufficient output current, peak inductor current must be lower than the FR9881 high-side MOSFET current limit. The peak inductor current is as below:

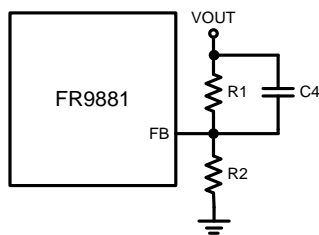
$$I_{\text{PEAK}} = I_{\text{OUT(MAX)}} + \frac{\Delta I_L}{2}$$



Application Information (Continued)

Feedforward Capacitor Selection

Internal compensation function allows users saving time in design and saving cost by reducing the number of external components. The use of a feedforward capacitor C4 in the feedback network is recommended to improve the transient response or higher phase margin.



For optimizing the feedforward capacitor, knowing the cross frequency is the first thing. The cross frequency (or the converter bandwidth) can be determined by using a network analyzer. When getting the cross frequency with no feedforward capacitor identified, the value of feedforward capacitor C4 can be calculated with the following equation:

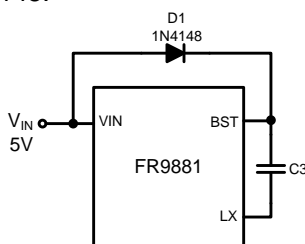
$$C4 = \frac{1}{2\pi \times F_{CROSS}} \times \sqrt{\frac{1}{R1} \times \left(\frac{1}{R1} + \frac{1}{R2}\right)}$$

Where F_{CROSS} is the cross frequency.

To reduce transient ripple, the feedforward capacitor value can be increased to push the cross frequency to higher region. Although this can improve transient response, it also decrease phase margin and cause more ringing. In the other hand, if more phase margin is desired, the feedforward capacitor value can be decreased to push the cross frequency to lower region. In general, the feedforward capacitor range is between 10pF to 10nF.

External Diode Selection

For 5V input applications, it is recommended to add an external boost diode. This helps improving the efficiency. The boost diode can be a low cost one such as 1N4148.



PCB Layout Recommendation

The device's performance and stability are dramatically affected by PCB layout. It is recommended to follow these general guidelines shown as below:

1. Place the input capacitors and output capacitors as close to the device as possible. The traces which connect to these capacitors should be as short and wide as possible to minimize parasitic inductance and resistance.
2. Place feedback resistors close to the FB pin.
3. Keep the sensitive signal (FB) away from the switching signal (LX).
4. Multi-layer PCB design is recommended.

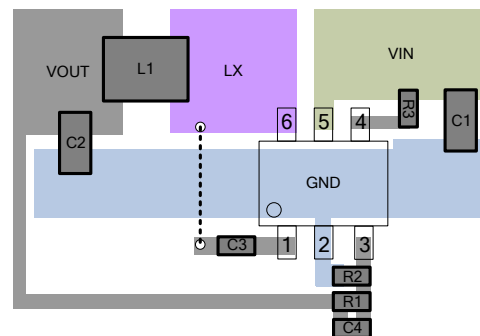
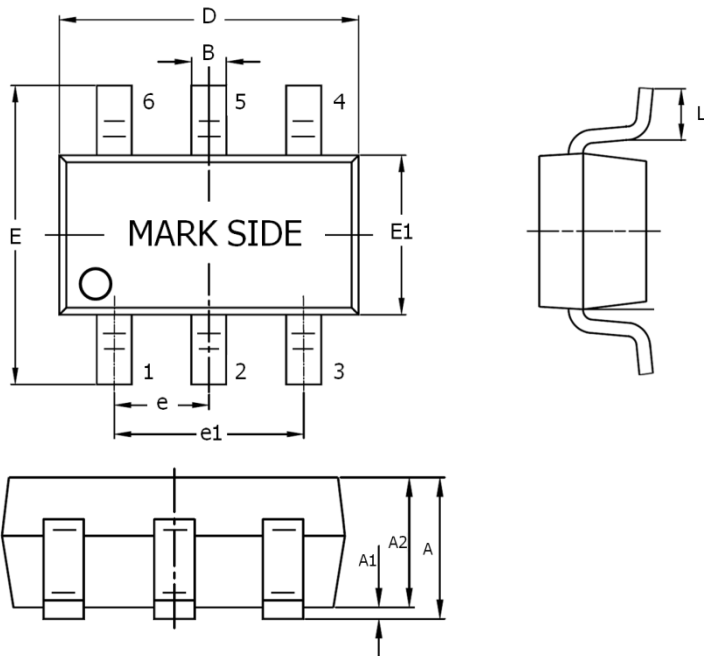


Figure 22. Recommended PCB Layout Diagram

Outline Information

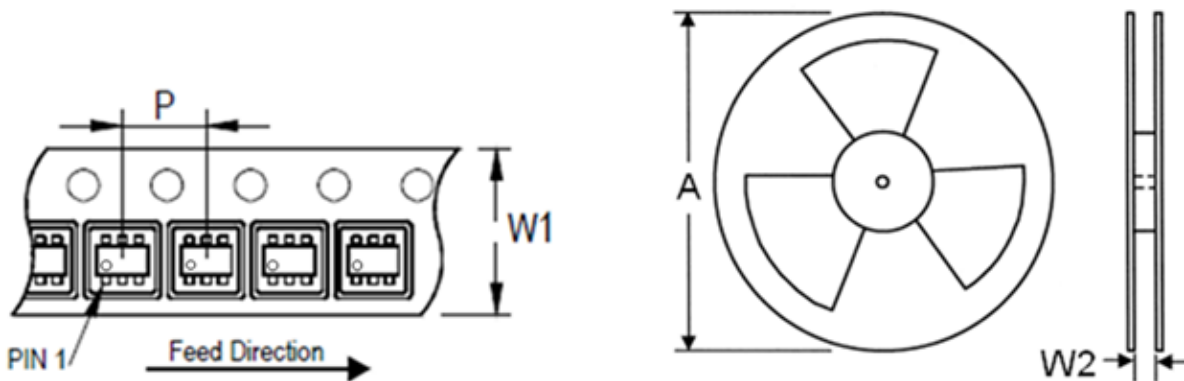
SOT-23-6 Package (Unit: mm)



SYMBOLS UNIT	DIMENSION IN MILLIMETER	
	MIN	MAX
A	0.90	1.45
A1	0.00	0.15
A2	0.90	1.30
B	0.30	0.50
D	2.80	3.00
E	2.60	3.00
E1	1.50	1.70
e	0.90	1.00
e1	1.80	2.00
L	0.30	0.60

Note 1 : Followed From JEDEC MO-178-C.

Carrier dimensions



Tape Size (W1) mm	Pocket Pitch (P) mm	Reel Size (A)		Reel Width (W2) mm	Empty Cavity Length mm	Units per Reel
		in	mm			
8	4	7	180	8.4	300~1000	3,000

Life Support Policy

Fitipower's products are not authorized for use as critical components in life support devices or other medical systems.

X-ON Electronics

Largest Supplier of Electrical and Electronic Components

Click to view similar products for [Isolated DC/DC Converters](#) category:

Click to view products by [Fitipower](#) manufacturer:

Other Similar products are found below :

[ESM6D044440C05AAQ](#) [FMD15.24G](#) [PSL486-7LR](#) [PSR152.5-7IR](#) [Q48T30020-NBB0](#) [AVO240-48S12B-6L](#) [AVO250-48S28B-6L](#) [NAN-0505](#) [HW-L16D](#) [JAHW100Y1](#) [217-1617-001](#) [22827](#) [SPB05C-12](#) [SQ24S15033-PS0S](#) [18952](#) [19-130041](#) [CE-1003](#) [CE-1004](#) [GQ2541-7R](#) [PSE1000DCDC-12V](#) [RDS180245](#) [MAU228](#) [419-2065-201](#) [449-2075-101](#) [J80-0041NL](#) [V300C24C150BG](#) [419-2062-200](#) [419-2063-401](#) [419-2067-101](#) [419-2067-501](#) [419-2068-001](#) [DCG40-5G](#) [DFC15U48D15](#) [449-2067-000](#) [XGS-0512](#) [XGS-1205](#) [XGS-1212](#) [XGS-2412](#) [XGS-2415](#) [XKS-1215](#) [033456](#) [NCT1000N040R050B](#) [SPB05B-15](#) [SPB05C-15](#) [SSQE48T25025-NAA0G](#) [L-DA20](#) [HP3040-9RG](#) [HP1001-9RTG](#) [XKS-2415](#) [XKS-2412](#)