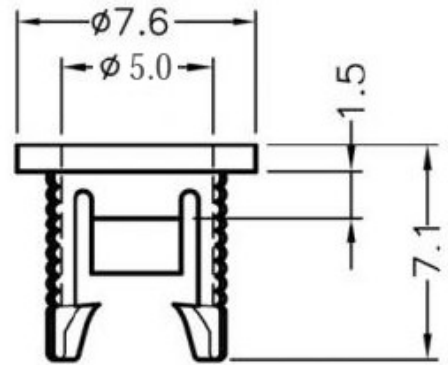


FIX-LED5-1



MATERIAL: NYLON 66(UL)
 FLAME CLASS: 94V-2
 COLOR:BLACK
 UNIT:mm
 RECOMMEND ASSEMBLING LED SIZE: 5
 NUMBER OF ASSEMBLING LED: 1



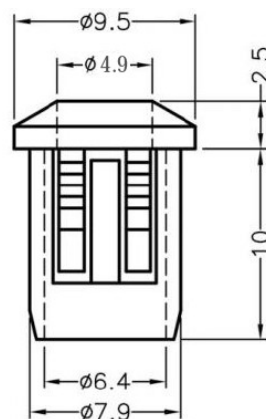
CHASSIS $\phi 6.4$

To mount $\phi 5$ LED on board quickly.

FIX-LED5-3



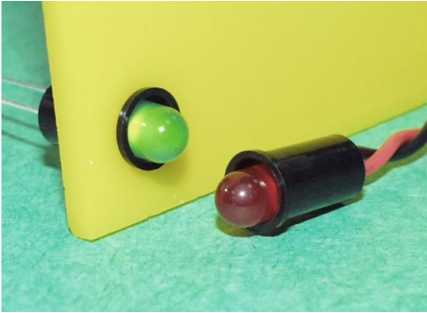
MATERIAL: NYLON 66(UL)
 FLAME CLASS: 94V-2
 COLOR:BLACK
 UNIT:mm
 RECOMMEND ASSEMBLING LED SIZE: 5
 NUMBER OF ASSEMBLING LED: 1



CHASSIS $\phi 8.0$

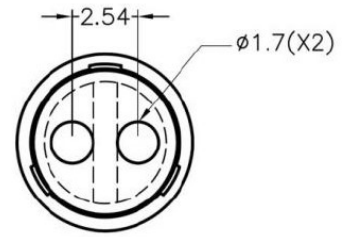
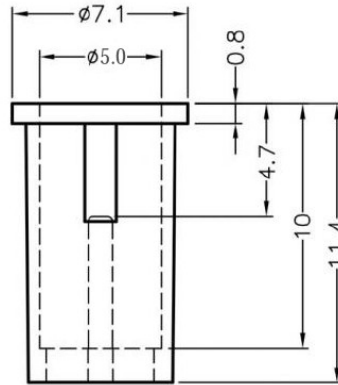
To mount $\phi 5$ LED on board quickly.

FIX-LED5-4



MATERIAL: NYLON 66(UL)
 FLAME CLASS: 94V-2
 COLOR:BLACK
 UNIT:mm
 RECOMMEND ASSEMBLING LED SIZE: 5
 NUMBER OF ASSEMBLING LED: 1

To mount $\phi 5$ LED on board quickly.



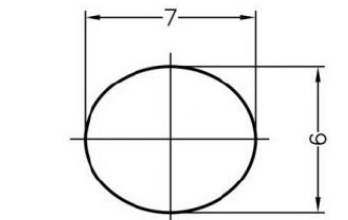
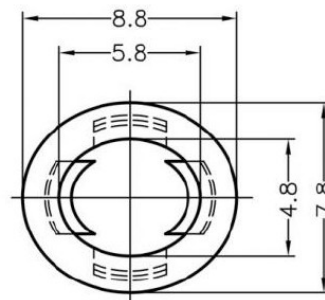
CHASSIS $\phi 6.35$
 THICKNESS 0.8~1.4

FIX-LED5-6

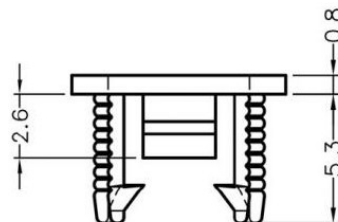


MATERIAL: NYLON 66(UL)
 FLAME CLASS: 94V-2
 COLOR:BLACK
 UNIT:mm
 RECOMMEND ASSEMBLING LED SIZE: 5
 NUMBER OF ASSEMBLING LED: 1

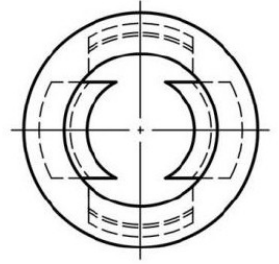
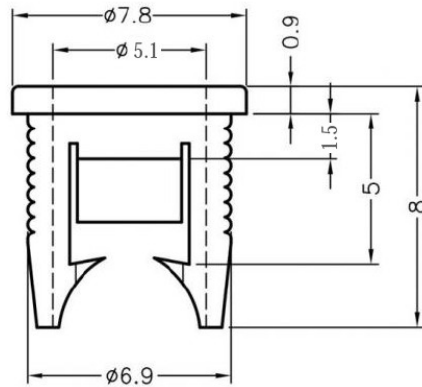
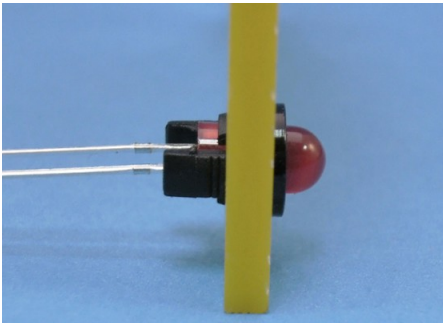
To mount $\phi 5$ LED on board quickly.



MOUNTING HOLE
 HOLE IN THICKNESS 1.0



FIX-LED5-9

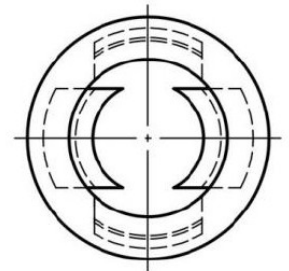
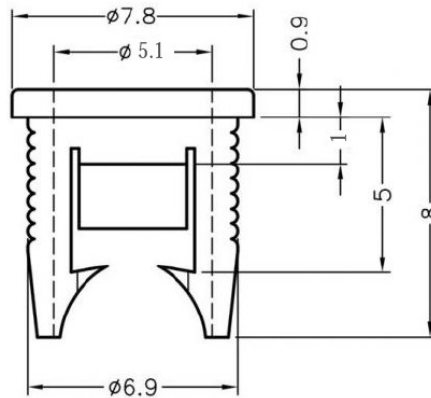
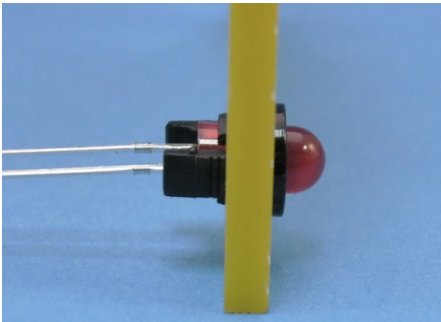


MOUNTING HOLE $\phi 7$
CHASSIS THICKNESS 0.8~1.4

MATERIAL: NYLON 66(UL)
FLAME CLASS: 94V-2
COLOR:BLACK
UNIT:mm
RECOMMEND ASSEMBLING LED SIZE: 5
NUMBER OF ASSEMBLING LED: 1

To mount $\phi 5$ LED on board quickly.

FIX-LED5-9S

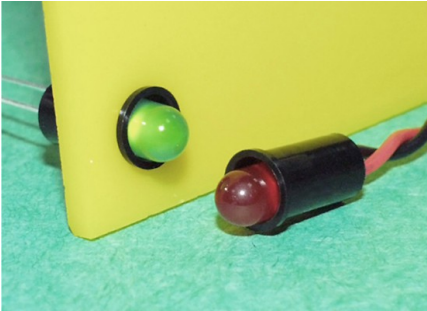


MOUNTING HOLE $\phi 7$
CHASSIS THICKNESS 0.8

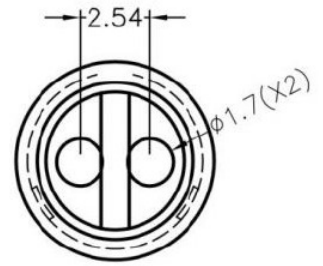
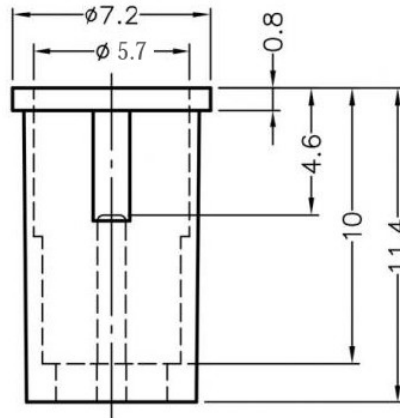
MATERIAL: NYLON 66(UL)
FLAME CLASS: 94V-2
COLOR:BLACK
UNIT:mm
RECOMMEND ASSEMBLING LED SIZE: 5
NUMBER OF ASSEMBLING LED: 1

To mount $\phi 5$ LED on board quickly.

FIX-LED5-10



MATERIAL: NYLON 66(UL)
 FLAME CLASS: 94V-2
 COLOR:BLACK
 UNIT:mm
 RECOMMEND ASSEMBLING LED SIZE: 5
 NUMBER OF ASSEMBLING LED: 1



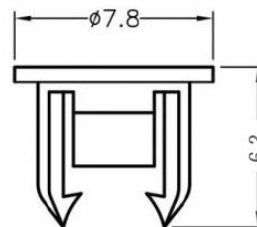
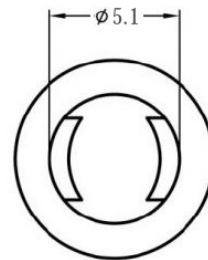
CHASSIS $\phi 6.4$
 THICKNESS:0.8~1.4

To mount $\phi 5$ LED on board quickly.

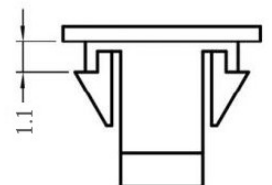
FIX-LED5-11



MATERIAL: NYLON 66(UL)
 FLAME CLASS: 94V-2
 COLOR:BLACK
 UNIT:mm
 RECOMMEND ASSEMBLING LED SIZE: 5
 NUMBER OF ASSEMBLING LED: 1



MOUNTING HOLE : $\phi 6.0$
 CHASSIS THICKNESS : 0.8~1.0



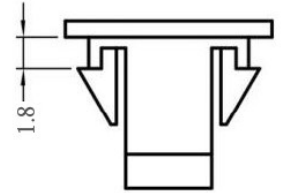
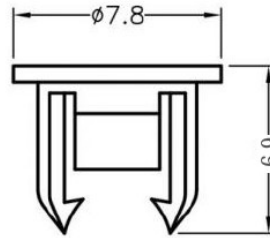
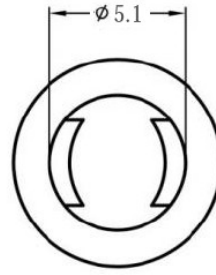
To mount $\phi 5$ LED on board quickly.

FIX-LED5-13



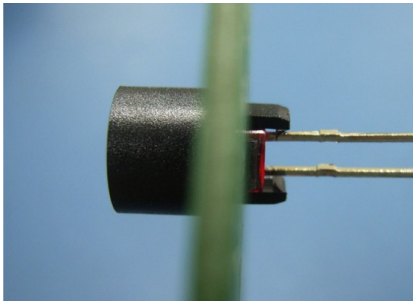
MATERIAL: NYLON 66(UL)
FLAME CLASS: 94V-2
COLOR:BLACK
UNIT:mm
RECOMMEND ASSEMBLING LED SIZE: 5
NUMBER OF ASSEMBLING LED: 1

To mount $\phi 5$ LED on board quickly.



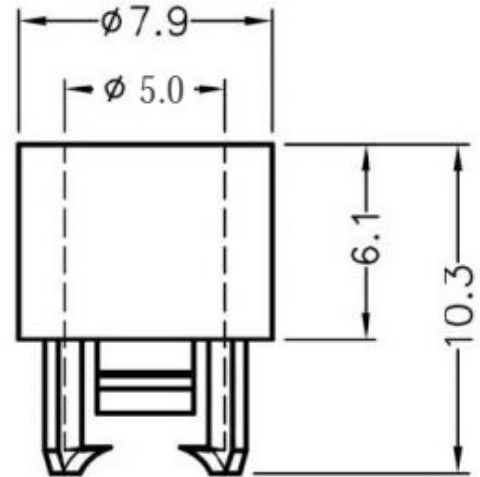
MOUNTING HOLE : $\phi 6.2$
CHASSIS THICKNESS : 1.2~1.6

FIX-LED5-14



MATERIAL: NYLON 66(UL)
FLAME CLASS: 94V-2
COLOR:BLACK
UNIT:mm
RECOMMEND ASSEMBLING LED SIZE: 5
NUMBER OF ASSEMBLING LED: 1

To mount $\phi 5$ LED on board quickly.



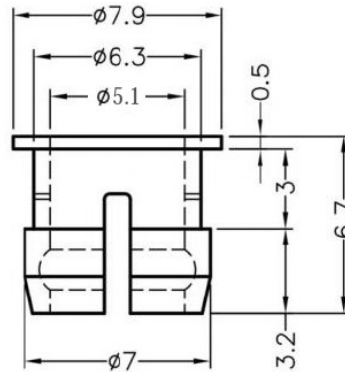
CHASSIS $\phi 6.5$
THICKNESS 0.8~1.0

FIX-LED5-2

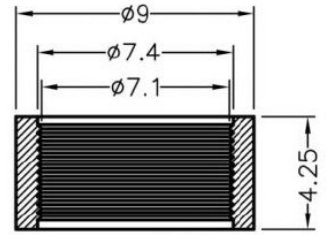


MATERIAL: NYLON 66(UL)
FLAME CLASS: 94V-2
COLOR:BLACK
UNIT:mm
RECOMMEND ASSEMBLING LED SIZE: 5
NUMBER OF ASSEMBLING LED: 1

To mount $\phi 5$ LED on board quickly.



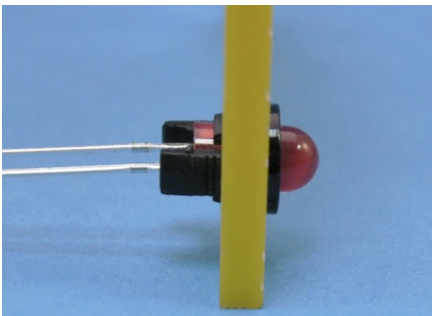
LED5-2A



LED5-2B

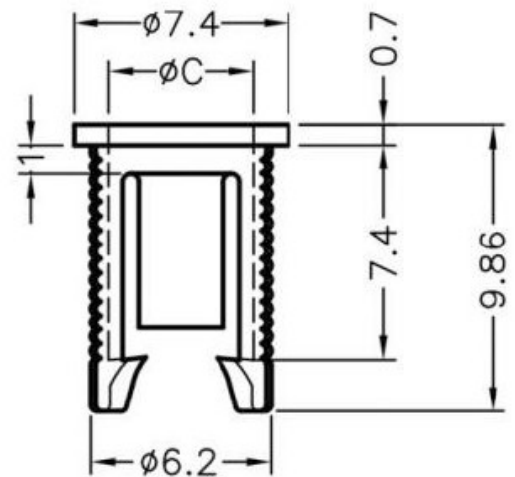
CHASSIS $\phi 6.4$
THICKNESS 3.0

FIX-LED5-8



MATERIAL: NYLON 66(UL)
FLAME CLASS: 94V-2
COLOR:BLACK
UNIT:mm
RECOMMEND ASSEMBLING LED SIZE: 5
NUMBER OF ASSEMBLING LED: 1

To mount $\phi 5$ LED on board quickly.

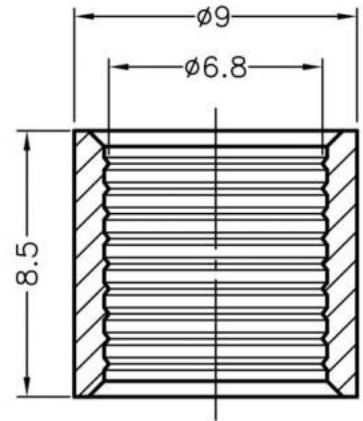


CHASSIS $\phi 6.35$

FIX-LED5-8T



MATERIAL: NYLON 66(UL)
FLAME CLASS: 94V-2
COLOR:BLACK
UNIT:mm

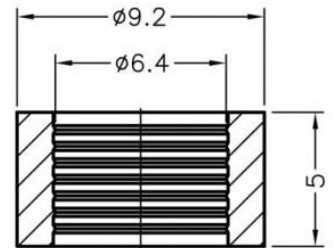
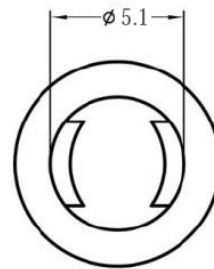


To mount $\phi 5$ LED on board quickly. FIX-LED5-8T can be spacer or enhance and mount with FIX-LED5-8 on board.

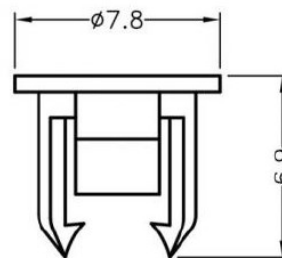
FIX-LED5-5 and FIX-LED5-5T



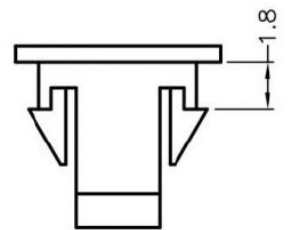
MATERIAL: NYLON 66(UL)
FLAME CLASS: 94V-2
COLOR:BLACK
UNIT:mm
RECOMMEND ASSEMBLING LED SIZE: 5
NUMBER OF ASSEMBLING LED: 1



FIX-LED5-5T



CHASSIS $\phi 6$



FIX-LED5-5

To mount $\phi 5$ LED on board quickly. FIX-LED5-5T can be spacer or enhance and mount with FIX-LED5-5 on board.



X-ON Electronics

Largest Supplier of Electrical and Electronic Components

Click to view similar products for [Lamps category](#):

Click to view products by [Fix & Fasten manufacturer](#):

Other Similar products are found below :

[5911-086-13](#) [5AB](#) [6180](#) [7009](#) [8623](#) [909](#) [912](#) [1224](#) [1230](#) [DE603](#) [BF20100-11B](#) [1892](#) [NL177WL2A](#) [NL276C2A](#) [IFL-LX2162-16T](#) [C2A-T](#)
[C9A](#) [301](#) [303](#) [SM2440L](#) [A1C](#) [A2B](#) [19](#) [268](#) [GT-NE6H1225T](#) [CM1820](#) [CM5004WW](#) [303](#) [32-2211T](#) [36EN-2113](#) [407](#) [4916S1](#) [521-7332](#)
[5314N1](#) [5314N2](#) [311](#) [WWT1-EW10/GRN](#) [4925H1](#) [DW07](#) [MS25231-313](#) [5603437](#) [5603851](#) [CM2](#) [7683EBP](#) [8553](#) [XE135B](#) [WWT2-](#)
[EW34BLA](#) [5705H7](#) [NL2951WL2G](#) [1301910036](#)