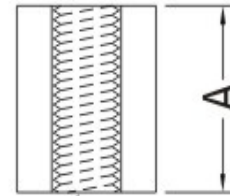


- ◆ MATERIAL: NYLON 66(UL)
- ◆ FLAME CLASS: 94V-2/94V-0
- ◆ COLOR: NATURAL
- ◆ UNIT: mm

**FIX**  
*Fasten*

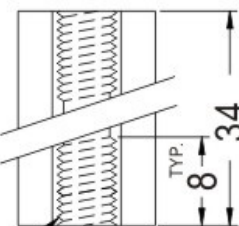
| PART NO | A    | PACKAGE |
|---------|------|---------|
| HP-4    | 4    | 1000    |
| HP-5    | 5    | 1000    |
| HP-6    | 6    | 1000    |
| HP-7    | 7    | 1000    |
| HP-8    | 8    | 1000    |
| HP-9    | 9    | 1000    |
| HP-9.5  | 9.5  | 1000    |
| HP-10   | 10   | 1000    |
| HP-10.5 | 10.5 | 1000    |
| HP-11   | 11   | 1000    |
| HP-12   | 12   | 1000    |



M3X0.5 TAPPED

◆ 單邊攻牙

| PART NO | PACKAGE |
|---------|---------|
| HP-34   | 1000    |

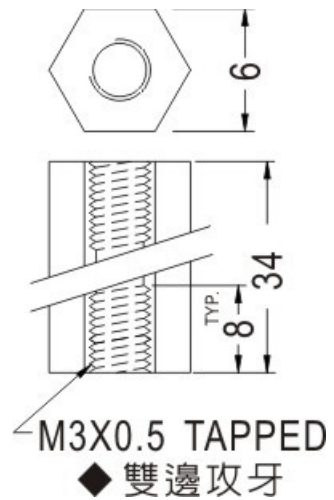


M3X0.5 TAPPED

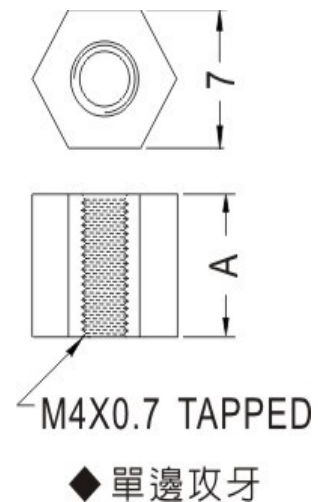
◆ 雙邊攻牙



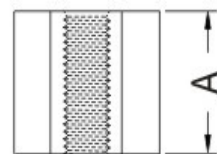
| PART NO | A    | PACKAGE |
|---------|------|---------|
| HP-12   | 12.7 | 1000    |
| HP-13.5 | 13.5 | 1000    |
| HP-14   | 14   | 1000    |
| HP-15   | 15   | 1000    |
| HP-16   | 16   | 1000    |
| HP-16.5 | 16.5 | 1000    |
| HP-17   | 17   | 1000    |
| HP-18   | 18   | 1000    |
| HP-19   | 19   | 1000    |
| HP-20   | 20   | 1000    |
| HP-22   | 22   | 1000    |
| HP-24   | 24   | 1000    |
| HP-25   | 25   | 1000    |
| HP-27   | 27   | 1000    |
| HP-28.6 | 28.6 | 1000    |
| HP-30   | 30   | 1000    |
| HP-32   | 32   | 500     |
| HP-38   | 38   | 500     |
| HP-40   | 40   | 500     |
| HP-42   | 42   | 500     |
| HP-45   | 45   | 500     |
| HP-47   | 47   | 500     |
| HP-49   | 49   | 500     |
| HP-52   | 52   | 500     |
| HP-54   | 54   | 500     |



| PART NO  | A    | PACKAGE |
|----------|------|---------|
| HP4-6    | 6    | 1000    |
| HP4-7    | 7    | 1000    |
| HP4-8    | 8    | 1000    |
| HP4-9    | 9    | 1000    |
| HP4-10   | 10   | 1000    |
| HP4-11   | 11   | 1000    |
| HP4-12   | 12   | 1000    |
| HP4-12.7 | 12.7 | 1000    |



| PART NO | A    | PACKAGE |
|---------|------|---------|
| HP4-14  | 14   | 1000    |
| HP4-16  | 16   | 1000    |
| HP4-20  | 20   | 1000    |
| HP4-25  | 25   | 1000    |
| HP4-26  | 26   | 1000    |
| HP4-30  | 30   | 1000    |
| HP4-35  | 35   | 1000    |
| HP4-40  | 40   | 1000    |
| HP4-45  | 45.5 | 1000    |



M4X0.7 TAPPED

◆ 單邊攻牙

**FIX**  
*Fasten*

## X-ON Electronics

Largest Supplier of Electrical and Electronic Components

*Click to view similar products for [Control Switches](#) category:*

*Click to view products by [Fix & Fasten](#) manufacturer:*

Other Similar products are found below :

[80887-99](#) [80932-99](#) [86855-00](#) [88814-30](#) [1424293-1](#) [HW4S-2TC10](#) [89721-12](#) [89804-08](#) [SSN](#) [RL01801](#) [ASD2L20N-LVO](#) [50051857-17](#)  
[50099156-001-05](#) [51.155R-15200](#) [50058920-26](#) [CP-FA51](#) [CP-FA49](#) [ACCU-SC/L-3000](#) [PP9M](#) [PP87G](#) [PP86GA](#) [PP71G](#) [PP70G](#) [PP6G](#)  
[PP62G](#) [PP58BL](#) [PP56G](#) [PP86GB](#) [PP77GA](#) [PP76G](#) [PP4M](#) [PP47G](#) [PP46G](#) [PP41M](#) [PP40G](#) [PP32G](#) [RD-20](#) [PP23M](#) [PP12G](#) [PORTAPRO](#)  
[POM-2708](#) [PNB-2005](#) [3057.0012](#) [CV-075](#) [CV-140SB](#) [CV-150](#) [CV-150S](#) [214X20XK](#) [CV-180](#) [CV-200MB](#)