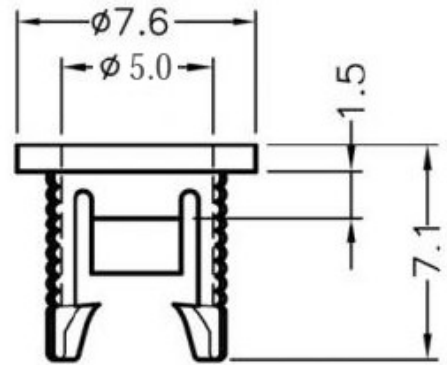


FIX-LED5-1



MATERIAL: NYLON 66(UL)
 FLAME CLASS: 94V-2
 COLOR:BLACK
 UNIT:mm
 RECOMMEND ASSEMBLING LED SIZE: 5
 NUMBER OF ASSEMBLING LED: 1



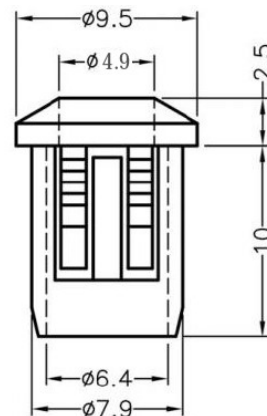
CHASSIS $\phi 6.4$

To mount $\phi 5$ LED on board quickly.

FIX-LED5-3



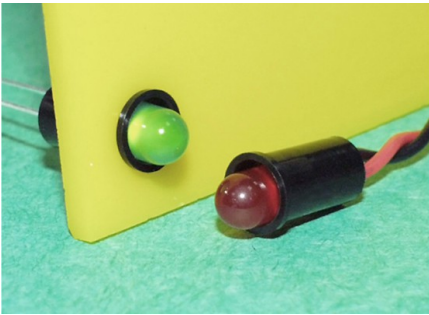
MATERIAL: NYLON 66(UL)
 FLAME CLASS: 94V-2
 COLOR:BLACK
 UNIT:mm
 RECOMMEND ASSEMBLING LED SIZE: 5
 NUMBER OF ASSEMBLING LED: 1



CHASSIS $\phi 8.0$

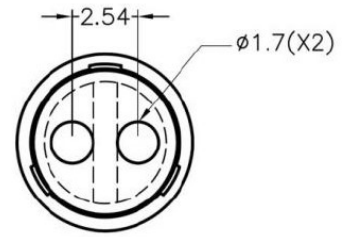
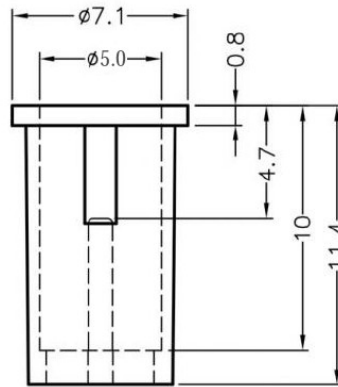
To mount $\phi 5$ LED on board quickly.

FIX-LED5-4



MATERIAL: NYLON 66(UL)
 FLAME CLASS: 94V-2
 COLOR:BLACK
 UNIT:mm
 RECOMMEND ASSEMBLING LED SIZE: 5
 NUMBER OF ASSEMBLING LED: 1

To mount $\phi 5$ LED on board quickly.



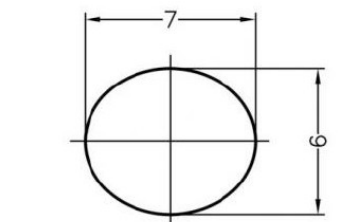
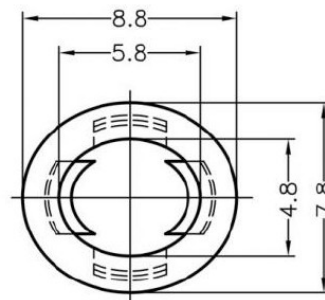
CHASSIS $\phi 6.35$
 THICKNESS 0.8~1.4

FIX-LED5-6

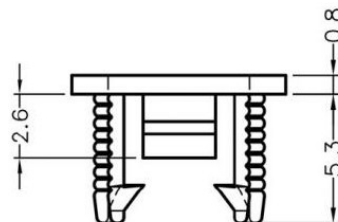


MATERIAL: NYLON 66(UL)
 FLAME CLASS: 94V-2
 COLOR:BLACK
 UNIT:mm
 RECOMMEND ASSEMBLING LED SIZE: 5
 NUMBER OF ASSEMBLING LED: 1

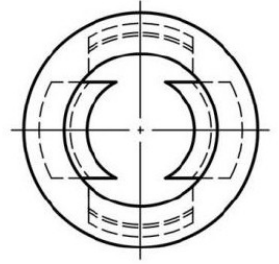
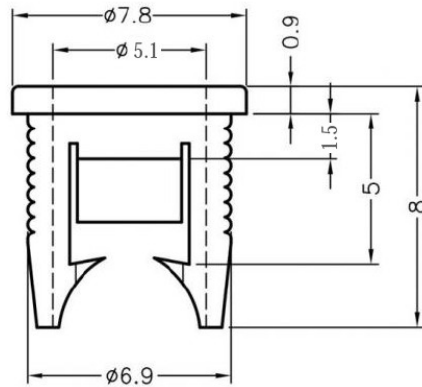
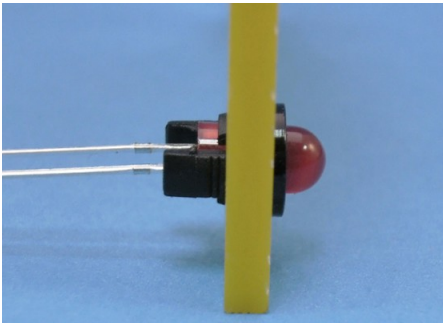
To mount $\phi 5$ LED on board quickly.



MOUNTING HOLE
 HOLE IN THICKNESS 1.0



FIX-LED5-9



MOUNTING HOLE $\phi 7$
CHASSIS THICKNESS 0.8-1.4

MATERIAL: NYLON 66(UL)

FLAME CLASS: 94V-2

COLOR:BLACK

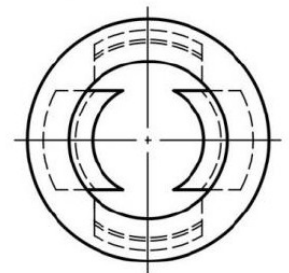
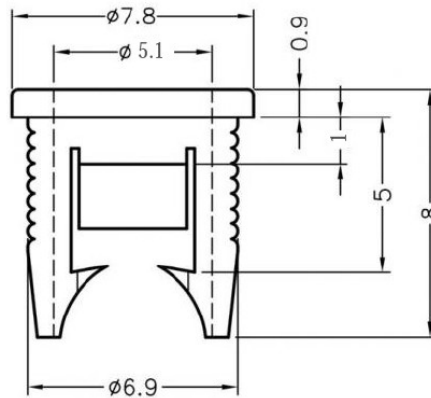
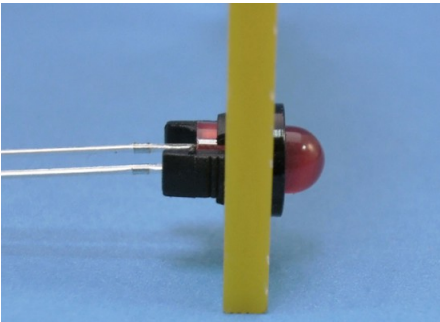
UNIT:mm

RECOMMEND ASSEMBLING LED SIZE: 5

NUMBER OF ASSEMBLING LED: 1

To mount $\phi 5$ LED on board quickly.

FIX-LED5-9S



MOUNTING HOLE $\phi 7$
CHASSIS THICKNESS 0.8

MATERIAL: NYLON 66(UL)

FLAME CLASS: 94V-2

COLOR:BLACK

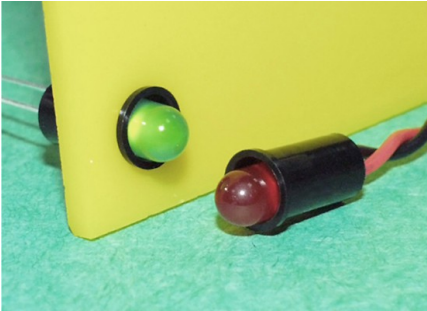
UNIT:mm

RECOMMEND ASSEMBLING LED SIZE: 5

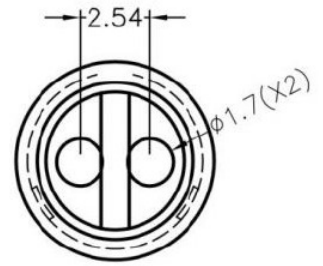
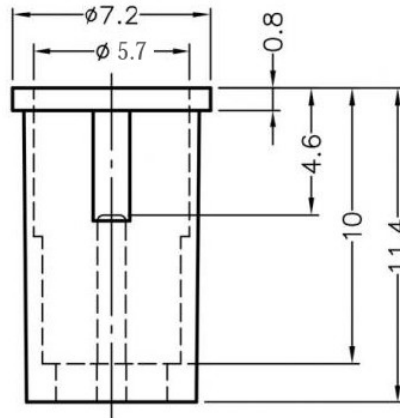
NUMBER OF ASSEMBLING LED: 1

To mount $\phi 5$ LED on board quickly.

FIX-LED5-10



MATERIAL: NYLON 66(UL)
 FLAME CLASS: 94V-2
 COLOR:BLACK
 UNIT:mm
 RECOMMEND ASSEMBLING LED SIZE: 5
 NUMBER OF ASSEMBLING LED: 1



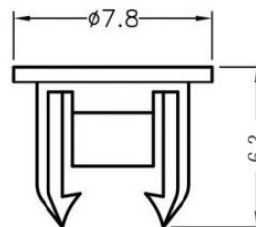
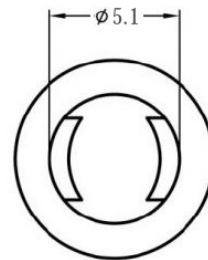
CHASSIS $\phi 6.4$
 THICKNESS:0.8~1.4

To mount $\phi 5$ LED on board quickly.

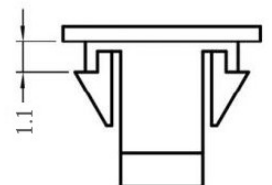
FIX-LED5-11



MATERIAL: NYLON 66(UL)
 FLAME CLASS: 94V-2
 COLOR:BLACK
 UNIT:mm
 RECOMMEND ASSEMBLING LED SIZE: 5
 NUMBER OF ASSEMBLING LED: 1



MOUNTING HOLE : $\phi 6.0$
 CHASSIS THICKNESS : 0.8~1.0



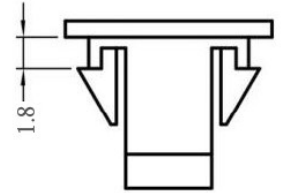
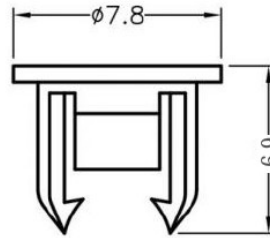
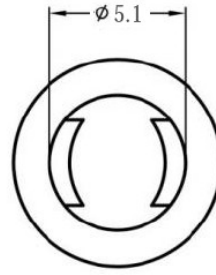
To mount $\phi 5$ LED on board quickly.

FIX-LED5-13



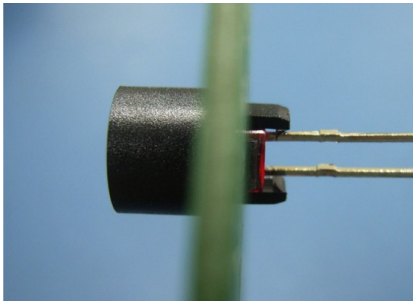
MATERIAL: NYLON 66(UL)
FLAME CLASS: 94V-2
COLOR:BLACK
UNIT:mm
RECOMMEND ASSEMBLING LED SIZE: 5
NUMBER OF ASSEMBLING LED: 1

To mount $\phi 5$ LED on board quickly.



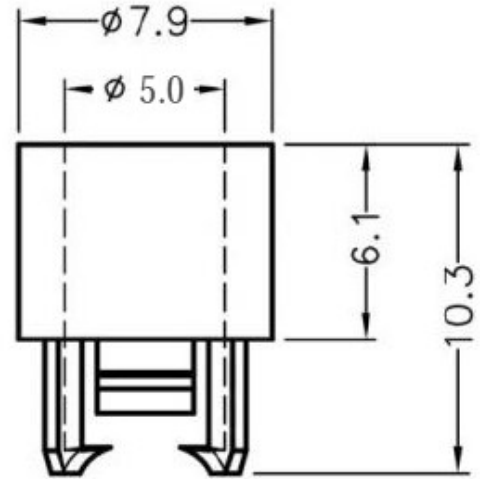
MOUNTING HOLE : $\phi 6.2$
CHASSIS THICKNESS : 1.2~1.6

FIX-LED5-14



MATERIAL: NYLON 66(UL)
FLAME CLASS: 94V-2
COLOR:BLACK
UNIT:mm
RECOMMEND ASSEMBLING LED SIZE: 5
NUMBER OF ASSEMBLING LED: 1

To mount $\phi 5$ LED on board quickly.



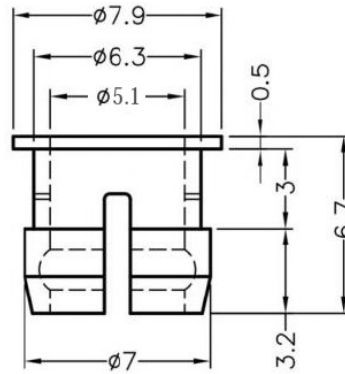
CHASSIS $\phi 6.5$
THICKNESS 0.8~1.0

FIX-LED5-2

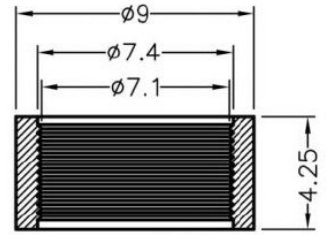


MATERIAL: NYLON 66(UL)
 FLAME CLASS: 94V-2
 COLOR:BLACK
 UNIT:mm
 RECOMMEND ASSEMBLING LED SIZE: 5
 NUMBER OF ASSEMBLING LED: 1

To mount $\phi 5$ LED on board quickly.



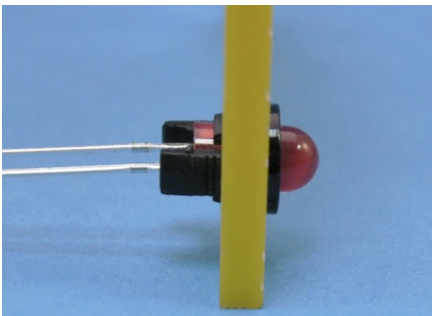
LED5-2A



LED5-2B

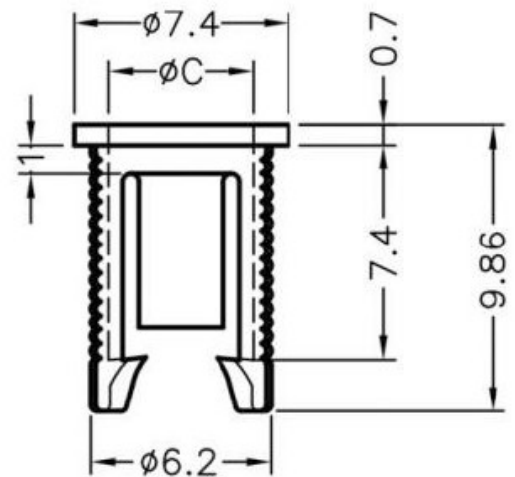
CHASSIS $\phi 6.4$
 THICKNESS 3.0

FIX-LED5-8



MATERIAL: NYLON 66(UL)
 FLAME CLASS: 94V-2
 COLOR:BLACK
 UNIT:mm
 RECOMMEND ASSEMBLING LED SIZE: 5
 NUMBER OF ASSEMBLING LED: 1

To mount $\phi 5$ LED on board quickly.

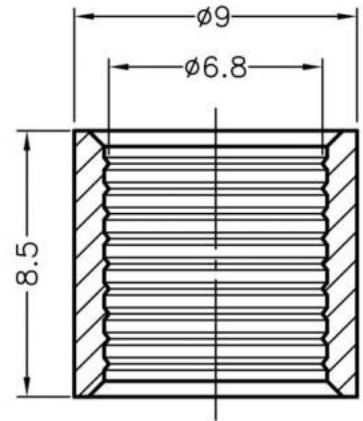


CHASSIS $\phi 6.35$

FIX-LED5-8T



MATERIAL: NYLON 66(UL)
FLAME CLASS: 94V-2
COLOR:BLACK
UNIT:mm

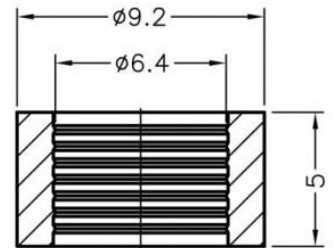
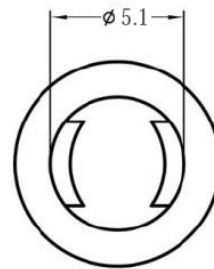


To mount $\phi 5$ LED on board quickly. FIX-LED5-8T can be spacer or enhance and mount with FIX-LED5-8 on board.

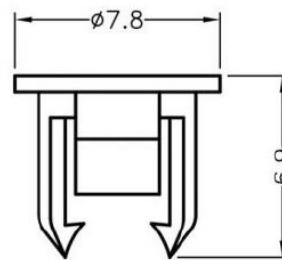
FIX-LED5-5 and FIX-LED5-5T



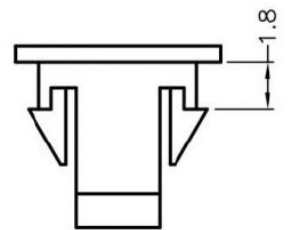
MATERIAL: NYLON 66(UL)
FLAME CLASS: 94V-2
COLOR:BLACK
UNIT:mm
RECOMMEND ASSEMBLING LED SIZE: 5
NUMBER OF ASSEMBLING LED: 1



FIX-LED5-5T



CHASSIS $\phi 6$



FIX-LED5-5

To mount $\phi 5$ LED on board quickly. FIX-LED5-5T can be spacer or enhance and mount with FIX-LED5-5 on board.



X-ON Electronics

Largest Supplier of Electrical and Electronic Components

Click to view similar products for [Fix & Fasten](#) manufacturer:

Other Similar products are found below :

[4-5](#) [4-6](#) [8G820V40895](#) [BCG-250](#) [BUB-72H](#) [CC-1S](#) [CC-2](#) [CC-4](#) [CC-5](#) [CC-6](#) [CC-7S](#) [CGLA-4](#) [CGLA-4S](#) [CGLA-6](#) [CGLA-8](#) [CM-19S](#) [CM-28](#) [CRS-7045-M5-20](#) [F8040](#) [F8040UL](#) [FCA-1](#) [FCA-2](#) [FCA-5](#) [FF-1](#) [FF-11](#) [FF-12](#) [FF-14](#) [FF-2](#) [FF-3](#) [FF-35](#) [FF-6](#) [FF-8](#) [FIX-2-2](#) [FIX-2-3](#) [FIX-2-5](#) [FIX-3.0X23-PRO](#) [FIX-3.0X23-WH](#) [FIX-3-12](#) [FIX-3-14](#) [FIX-3-15](#) [FIX-3-18](#) [FIX-3-2](#) [FIX-3-20](#) [FIX-3-2.5](#) [FIX-3-25](#) [FIX-3-3](#) [FIX-3-30](#) [FIX-3-3.5](#) [FIX-3-4](#) [FIX-3-5](#)