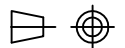
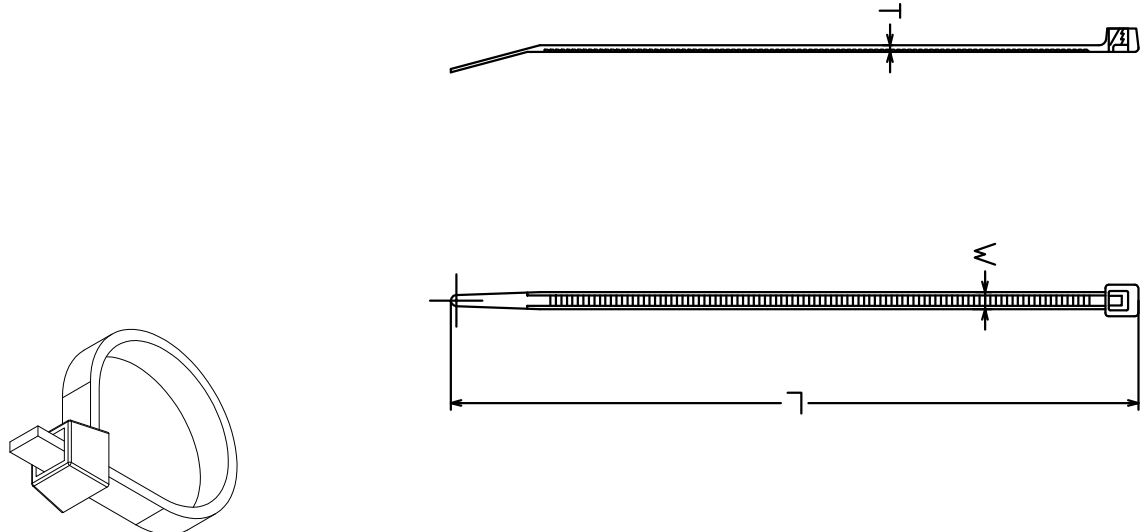
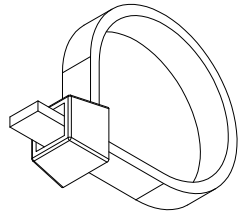
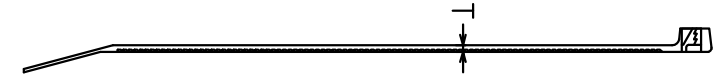
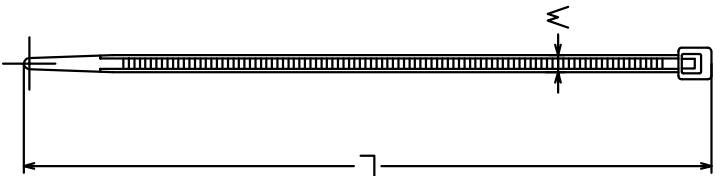
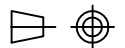
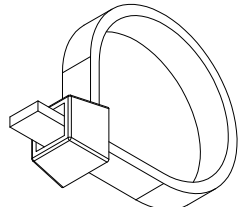
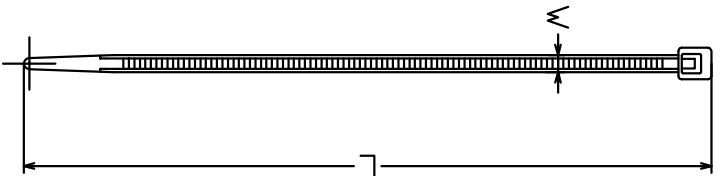
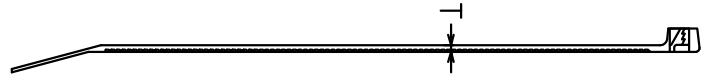
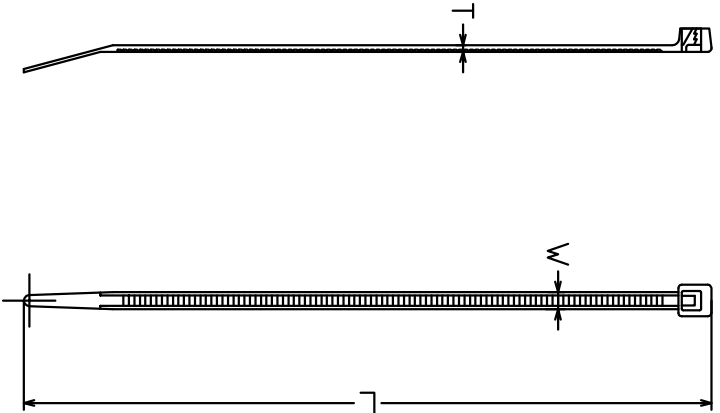
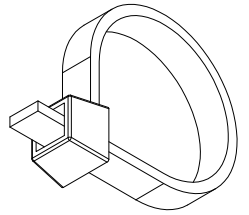



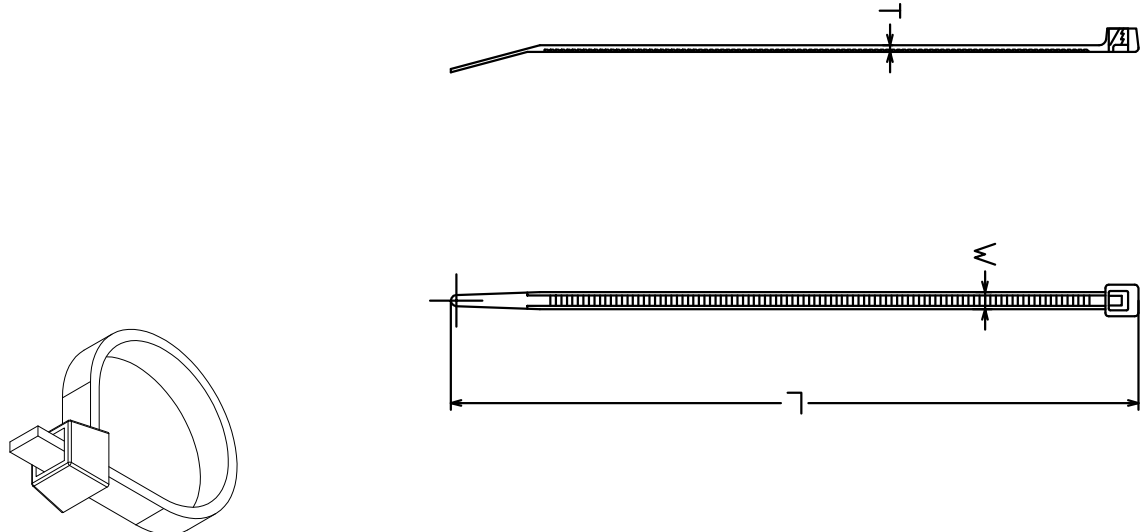
| | | | | | | | |
|---|---|--------------------------------|---|---|---|---|---|
| |  | | C | D | E | F | G |
| 6 | Fix & Fasten | | <p>NOTE:</p> <p>TEMPERATURE RANGE: -40C TO +85C (-40F TO 185F)</p> <p>INCH TOLERANCE UNLESS OTHERWISE SPECIFIED: LOCK ± 0.0078, WIDTH ± 0.0039, THICKNESS ± 0.0019, LENGTH ± 0.039.</p> <p>MILLIMETER TOLERANCE UNLESS OTHERWISE SPECIFIED: LOCK ± 0.2, WIDTH ± 0.1, THICKNESS ± 0.05, LENGTH ± 1.</p> | | | | |
| 5 | MATERIAL: ASCEND PA66 FOR ALL COLOR PRODUCTS | LENGTH: 60MM (2.36 INCH) | | | | | |
| 5 | WIDTH: 2.5MM (0.10 INCH) | THICKNESS: 1.10MM (0.043 INCH) | | | | | |
| 6 | TENSILE STR. 18 LBS (8.1 KGS) | | | | | | |
| 6 | | | | | | | |
| 1 | <p>ITEM: FIX-S-2.5X60</p>  | | | | | | |
| A | | B | C | D | E | F | G |
| 2 | | | | | | | |
| 3 | | | | | | | |
| 4 | | | | | | | |
| 5 | | | | | | | |

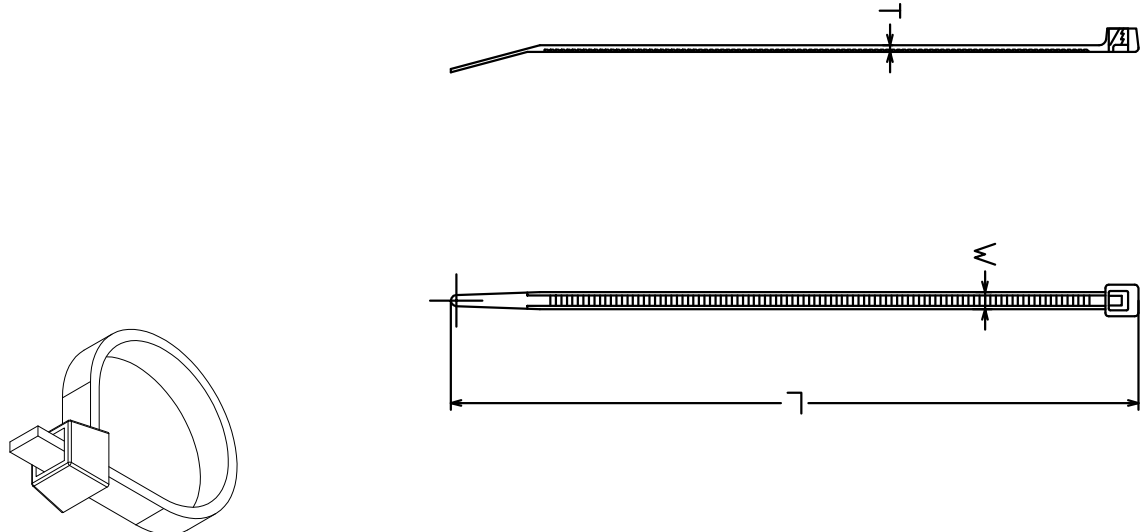
| | | | | | | | | | | | | |
|---|---|------------------------------------|---|---|---|---|---|--|--|--|--|--|
| | ⊕ | | C | D | E | F | G | | | | | |
| 6 | Fix & Fasten | | <p>NOTE: TEMPERATURE RANGE: -40C TO +85C (-40F TO 185F) INCH TOLERANCE UNLESS OTHERWISE SPECIFIED: LOCK ±0.0078, WIDTH ±0.0039, THICKNESS ±0.0019, LENGTH ±0.039. MILLIMETER TOLERANCE UNLESS OTHERWISE SPECIFIED: LOCK ±0.2, WIDTH ±0.1, THICKNESS ±0.05, LENGTH ±1.</p> | | | | | | | | | |
| 5 | MATERIAL: | ASCEND PA66 FOR ALL COLOR PRODUCTS | | | | | | | | | | |
| 5 | LENGTH: | 100MM (3.94 INCH) | | | | | | | | | | |
| 5 | WIDTH: | 2.5MM (0.10 INCH) | | | | | | | | | | |
| 5 | THICKNESS: | 1.10MM (0.043 INCH) | | | | | | | | | | |
| 6 | TENSILE STR. | 18 LBS (8.1 KGS) | | | | | | | | | | |
| 4 |  | |  | | | | | | | | | |
| 3 | | | | | | | |  | | | | |
| 2 | | | | | | | | | | | | |
| 1 | A | B | C | D | E | F | G | | | | | |

| | | | | | | | |
|---|---|---------------------------|--|--|--|-------------------------------|---|
| |  | | C | D | E | F | G |
| 6 | Fix & Fasten | | <p>NOTE: TEMPERATURE RANGE: -40C TO +85C (-40F TO 185F) INCH TOLERANCE UNLESS OTHERWISE SPECIFIED: LOCK ± 0.0078, WIDTH ± 0.0039, THICKNESS ± 0.0019, LENGTH ± 0.039. MILLIMETER TOLERANCE UNLESS OTHERWISE SPECIFIED: LOCK ± 0.2, WIDTH ± 0.1, THICKNESS ± 0.05, LENGTH ± 1.</p> | | | | |
| 5 | MATERIAL: ASCEND PA66 FOR ALL COLOR PRODUCTS | LENGTH: 120MM (4.72 INCH) | | WIDTH: 2.5MM (0.10 INCH) | THICKNESS: 1.10MM (0.043 INCH) | TENSILE STR. 18 LBS (8.1 KGS) | |
| 4 |  | | |  | | | |
| 3 | | | | |  | | |
| 2 | | | | | | | |
| 1 | | | | | | | |
| | | | | | | | |
| | A | B | C | D | E | F | G |

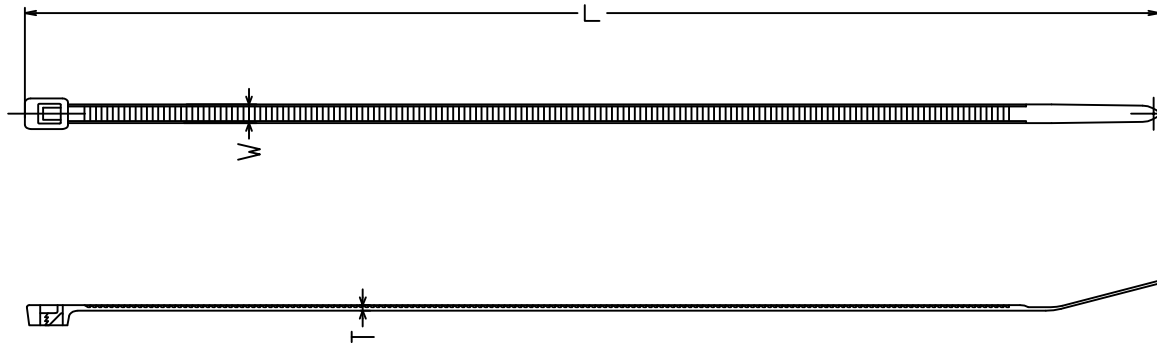
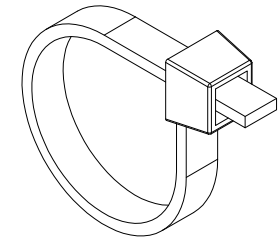
ITEM: FIX-S-2.5X120

| | | | | | | | | | | | | | | | | | | |
|--------------|---|---|---|---|---|---|---|-----------|------------------------------------|---------|-------------------|--------|-------------------|------------|---------------------|--------------|------------------|---|
| | ⊕ | | C | D | E | F | G | | | | | | | | | | | |
| 6 | Fix & Fasten | | | | | | | 6 | | | | | | | | | | |
| 5 | <table border="1" style="width: 100%; border-collapse: collapse;"> <tr> <td style="width: 15%; text-align: center;">MATERIAL:</td> <td>ASCEND PA66 FOR ALL COLOR PRODUCTS</td> </tr> <tr> <td style="text-align: center;">LENGTH:</td> <td>150MM (5.91 INCH)</td> </tr> <tr> <td style="text-align: center;">WIDTH:</td> <td>2.5MM (0.10 INCH)</td> </tr> <tr> <td style="text-align: center;">THICKNESS:</td> <td>1.10MM (0.043 INCH)</td> </tr> <tr> <td style="text-align: center;">TENSILE STR.</td> <td>18 LBS (8.1 KGS)</td> </tr> </table> | | | | | | | MATERIAL: | ASCEND PA66 FOR ALL COLOR PRODUCTS | LENGTH: | 150MM (5.91 INCH) | WIDTH: | 2.5MM (0.10 INCH) | THICKNESS: | 1.10MM (0.043 INCH) | TENSILE STR. | 18 LBS (8.1 KGS) | 5 |
| MATERIAL: | ASCEND PA66 FOR ALL COLOR PRODUCTS | | | | | | | | | | | | | | | | | |
| LENGTH: | 150MM (5.91 INCH) | | | | | | | | | | | | | | | | | |
| WIDTH: | 2.5MM (0.10 INCH) | | | | | | | | | | | | | | | | | |
| THICKNESS: | 1.10MM (0.043 INCH) | | | | | | | | | | | | | | | | | |
| TENSILE STR. | 18 LBS (8.1 KGS) | | | | | | | | | | | | | | | | | |
| 4 | <p style="text-align: center;">NOTE:</p> <p style="text-align: center;">TEMPERATURE RANGE: -40C TO +85C (-40F TO 185F)</p> <p style="text-align: center;">INCH TOLERANCE UNLESS OTHERWISE SPECIFIED: LOCK ± 0.0078, WIDTH ± 0.0039, THICKNESS ± 0.0019, LENGTH ± 0.039.</p> <p style="text-align: center;">MILLIMETER TOLERANCE UNLESS OTHERWISE SPECIFIED: LOCK ± 0.2, WIDTH ± 0.1, THICKNESS ± 0.05, LENGTH ± 1.</p> | | | | | | | 4 | | | | | | | | | | |
| 3 |  | | | | | | | 3 | | | | | | | | | | |
| 2 | <p style="text-align: center;">ITEM: FIX-S-2.5X150</p> | | | | | | | 2 | | | | | | | | | | |
| 1 |  | | | | | | | 1 | | | | | | | | | | |
| A | B | C | D | E | F | G | G | | | | | | | | | | | |

| | | | | | | | |
|---|---|------------------------------------|---|---|---|---|---|
| |  | | C | D | E | F | G |
| 6 | Fix & Fasten | | <p>NOTE: TEMPERATURE RANGE: -40C TO +85C (-40F TO 185F) INCH TOLERANCE UNLESS OTHERWISE SPECIFIED: LOCK ±0.0078, WIDTH ±0.0039, THICKNESS ±0.0019, LENGTH ±0.039. MILLIMETER TOLERANCE UNLESS OTHERWISE SPECIFIED: LOCK ±0.2, WIDTH ±0.1, THICKNESS ±0.05, LENGTH ±1.</p> | | | | |
| 5 | MATERIAL: | ASCEND PA66 FOR ALL COLOR PRODUCTS | | | | | |
| 5 | LENGTH: | 160MM (6.29 INCH) | | | | | |
| 5 | WIDTH: | 2.5MM (0.10 INCH) | | | | | |
| 5 | THICKNESS: | 1.10MM (0.043 INCH) | | | | | |
| 6 | TENSILE STR. | 18 LBS (8.1 KGS) | | | | | |
| 4 |  | | | | | | |
| 3 | | | | | | | |
| 2 | | | | | | | |
| 1 | <p>ITEM: FIX-S-2.5X160</p> | | | | | | |
| | A | B | C | D | E | F | G |

| | | | | | | | |
|---|--|------------------------------------|---|---|---|---|---|
| | ⊕ | | C | D | E | F | G |
| 6 | Fix & Fasten | | <p>NOTE: TEMPERATURE RANGE: -40C TO +85C (-40F TO 185F) INCH TOLERANCE UNLESS OTHERWISE SPECIFIED: LOCK ±0.0078, WIDTH ±0.0039, THICKNESS ±0.0019, LENGTH ±0.039. MILLIMETER TOLERANCE UNLESS OTHERWISE SPECIFIED: LOCK ±0.2, WIDTH ±0.1, THICKNESS ±0.05, LENGTH ±1.</p> | | | | |
| 5 | MATERIAL: | ASCEND PA66 FOR ALL COLOR PRODUCTS | | | | | |
| 5 | LENGTH: | 200MM (7.87 INCH) | | | | | |
| 5 | WIDTH: | 2.5MM (0.10 INCH) | | | | | |
| 5 | THICKNESS: | 1.10MM (0.043 INCH) | | | | | |
| 6 | TENSILE STR. | 18 LBS (8.1 KGS) | | | | | |
| 4 | <p style="text-align: center;">ITEM: FIX-S-2.5X200</p>  | | | | | | |
| 1 | | | | | | | |
| 2 | | | | | | | |
| 3 | | | | | | | |
| 4 | | | | | | | |
| 5 | | | | | | | |
| 6 | | | | | | | |

ITEM: FIX-S-3.6X100



NOTE :

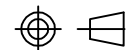
TEMPURATURE RANGE: -40C TO +85C (-40F TO 185F)

INCH TOLERANCE UNLESS OTHERWISE SPECIFIED: LOCK ± 0.0078 , WIDTH ± 0.0039 , THICKNESS ± 0.0019 , LENGTH ± 0.039 .

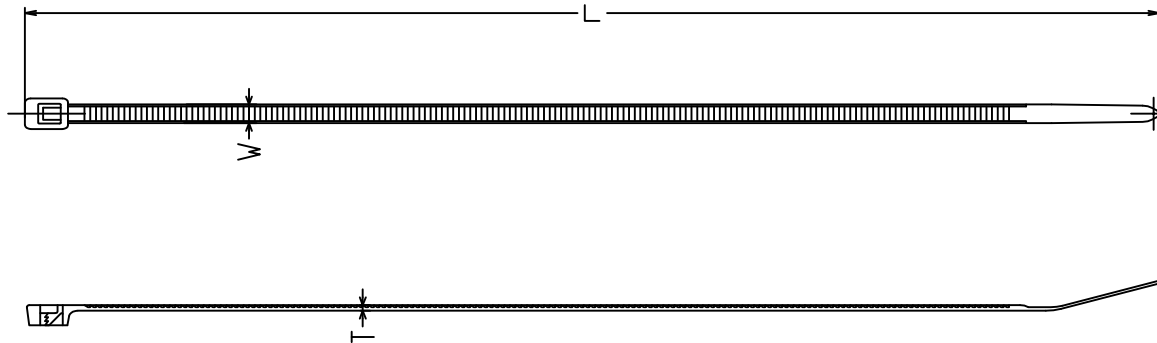
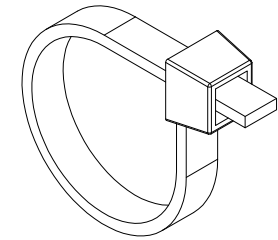
MILLIMETER TOLERANCE UNLESS OTHERWISE SPECIFIED: LOCK ± 0.2 , WIDTH ± 0.1 , THICKNESS ± 0.05 , LENGTH ± 1 .

| | |
|--------------|-----------------------------|
| MATERIAL: | ASCEND PA66 Natural & Black |
| LEMGTH: | 100MM (3.937INCH) |
| WIDTH: | 3.6MM (0.14 INCH) |
| THICKNESS: | 1.2MM (0.047 INCH) |
| TENSILE STR. | 40 LBS (18.2KGS/180N) |

Fix & Fasten



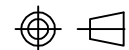
ITEM: FIX-S-3.6X120



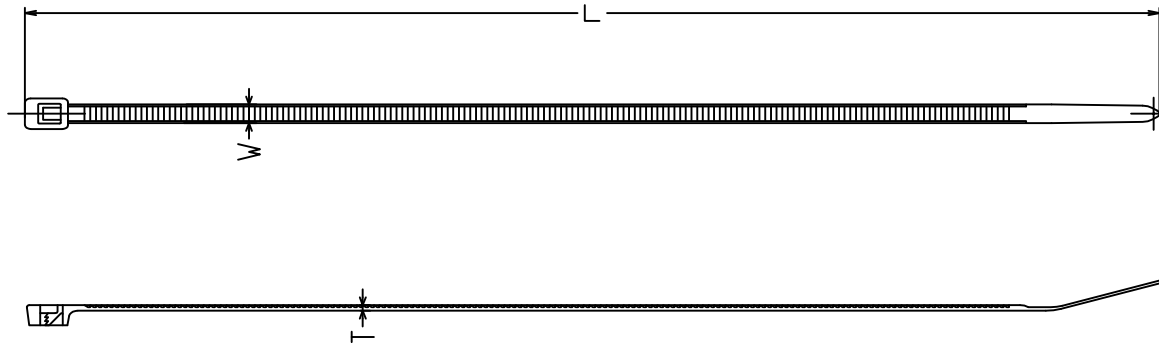
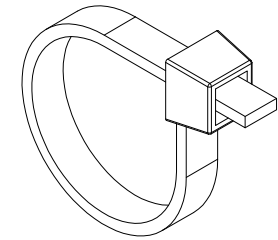
NOTE :

TEMPURATURE RANGE: -40C TO +85C (-40F TO 185F)
 INCH TOLERANCE UNLESS OTHERWISE SPECIFIED: LOCK \pm 0.0078, WIDTH \pm 0.0039, THICKNESS \pm 0.0019, LENGTH \pm 0.039.
 MILLIMETER TOLERANCE UNLESS OTHERWISE SPECIFIED: LOCK \pm 0.2, WIDTH \pm 0.1, THICKNESS \pm 0.05, LENGTH \pm 1.

| | |
|---------------------|-----------------------------|
| MATERIAL: | ASCEND PA66 Natural & Black |
| LEMGTH: | 120MM (4.72INCH) |
| WIDTH: | 3.6MM (0.14 INCH) |
| THICKNESS: | 1.2MM (0.047 INCH) |
| TENSILE STR. | 40 LBS (18.2KGS/180N) |
| Fix & Fasten | |



ITEM: FIX-S-3.6X140



NOTE :

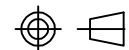
TEMPURATURE RANGE: -40C TO +85C (-40F TO 185F)

INCH TOLERANCE UNLESS OTHERWISE SPECIFIED: LOCK ± 0.0078 , WIDTH ± 0.0039 , THICKNESS ± 0.0019 , LENGTH ± 0.039 .

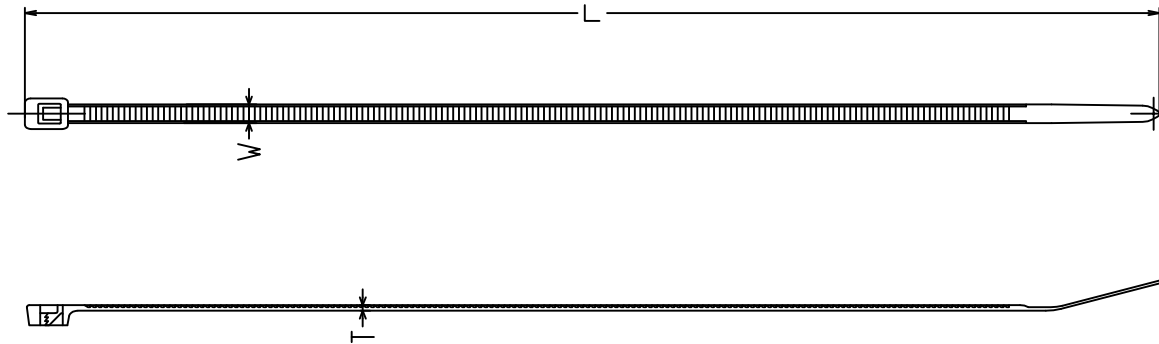
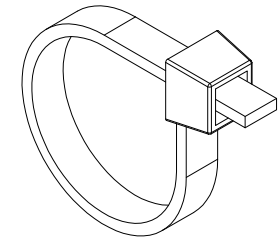
MILLIMETER TOLERANCE UNLESS OTHERWISE SPECIFIED: LOCK ± 0.2 , WIDTH ± 0.1 , THICKNESS ± 0.05 , LENGTH ± 1 .

| | |
|--------------|-----------------------------|
| MATERIAL: | ASCEND PA66 Natural & Black |
| LEMGTH: | 140MM (5.51INCH) |
| WIDTH: | 3.6MM (0.14 INCH) |
| THICKNESS: | 1.2MM (0.047 INCH) |
| TENSILE STR. | 40 LBS (18.2KGS/180N) |

Fix & Fasten



ITEM: FIX-S-3.6X150



NOTE :

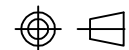
TEMPURATURE RANGE: -40C TO +85C (-40F TO 185F)

INCH TOLERANCE UNLESS OTHERWISE SPECIFIED: LOCK ± 0.0078 , WIDTH ± 0.0039 , THICKNESS ± 0.0019 , LENGTH ± 0.039 .

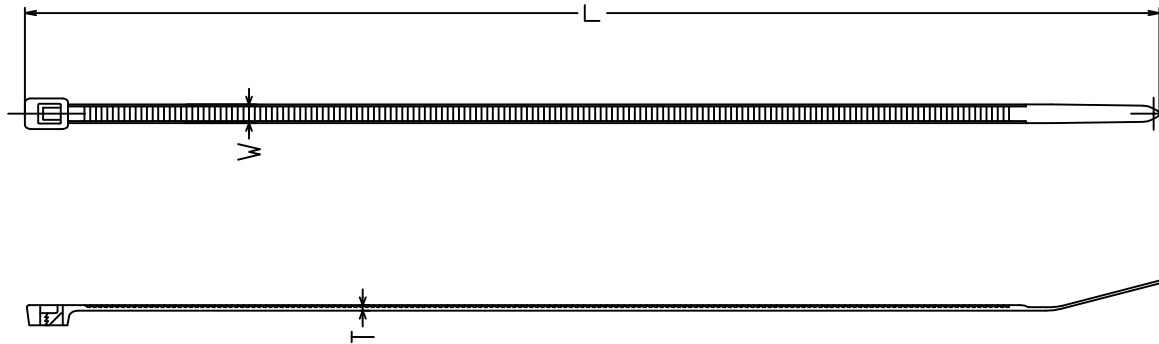
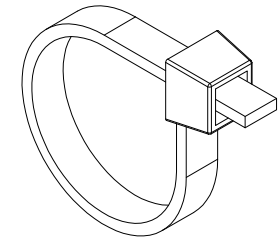
MILLIMETER TOLERANCE UNLESS OTHERWISE SPECIFIED: LOCK ± 0.2 , WIDTH ± 0.1 , THICKNESS ± 0.05 , LENGTH ± 1 .

| | |
|--------------|-----------------------------|
| MATERIAL: | ASCEND PA66 Natural & Black |
| LEMGTH: | 150MM (5.91INCH) |
| WIDTH: | 3.6MM (0.14 INCH) |
| THICKNESS: | 1.2MM (0.047 INCH) |
| TENSILE STR. | 40 LBS (18.2KGS/180N) |

Fix & Fasten



ITEM: FIX-S-3.6X180



NOTE :

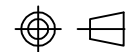
TEMPURATURE RANGE: -40C TO +85C (-40F TO 185F)

INCH TOLERANCE UNLESS OTHERWISE SPECIFIED: LOCK ± 0.0078 , WIDTH ± 0.0039 , THICKNESS ± 0.0019 , LENGTH ± 0.039 .

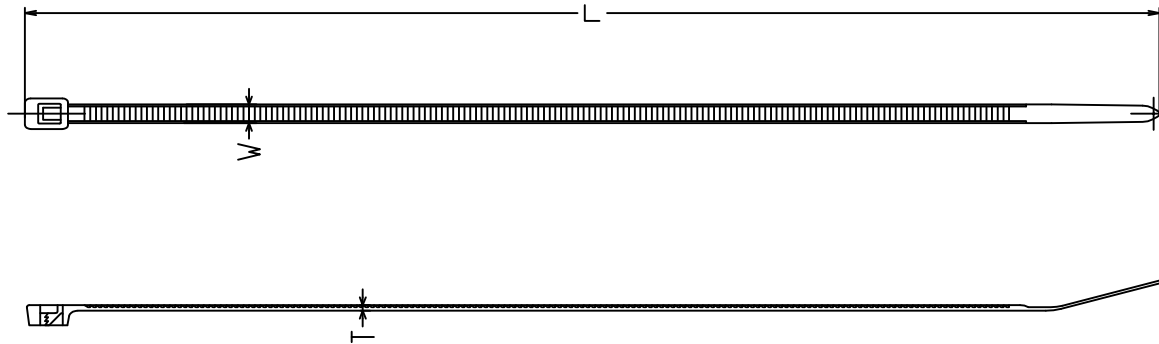
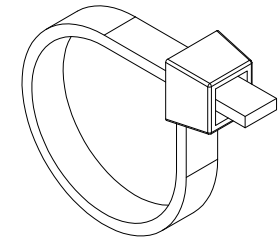
MILLIMETER TOLERANCE UNLESS OTHERWISE SPECIFIED: LOCK ± 0.2 , WIDTH ± 0.1 , THICKNESS ± 0.05 , LENGTH ± 1 .

| | |
|--------------|-----------------------------|
| MATERIAL: | ASCEND PA66 Natural & Black |
| LEMGTH: | 180MM (7.09INCH) |
| WIDTH: | 3.6MM (0.14 INCH) |
| THICKNESS: | 1.2MM (0.047 INCH) |
| TENSILE STR. | 40 LBS (18.2KGS/180N) |

Fix & Fasten



ITEM: FIX-S-3.6X200



NOTE :

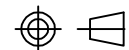
TEMPURATURE RANGE: -40C TO +85C (-40F TO 185F)

INCH TOLERANCE UNLESS OTHERWISE SPECIFIED: LOCK ± 0.0078 , WIDTH ± 0.0039 , THICKNESS ± 0.0019 , LENGTH ± 0.039 .

MILLIMETER TOLERANCE UNLESS OTHERWISE SPECIFIED: LOCK ± 0.2 , WIDTH ± 0.1 , THICKNESS ± 0.05 , LENGTH ± 1 .

| | |
|--------------|-----------------------------|
| MATERIAL: | ASCEND PA66 Natural & Black |
| LEMGTH: | 200MM (7.87INCH) |
| WIDTH: | 3.6MM (0.14 INCH) |
| THICKNESS: | 1.2MM (0.047 INCH) |
| TENSILE STR. | 40 LBS (18.2KGS/180N) |

Fix & Fasten



G

F

E

D

C

B

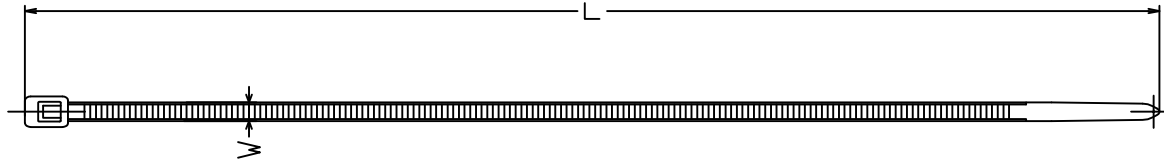
A

1

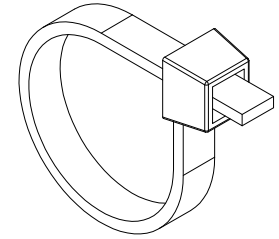
ITEM: FIX-S-3.6X250

1

2



2



3



3

4

4

NOTE :

TEMPURATURE RANGE: -40C TO +85C (-40F TO 185F)

INCH TOLERANCE UNLESS OTHERWISE SPECIFIED: LOCK ± 0.0078 , WIDTH ± 0.0039 , THICKNESS ± 0.0019 , LENGTH ± 0.039 .

MILLIMETER TOLERANCE UNLESS OTHERWISE

SPECIFIED: LOCK ± 0.2 , WIDTH ± 0.1 , THICKNESS ± 0.05 , LENGTH ± 1 .

MATERIAL: ASCEND PA66 NYLON

LEMGTH: 250MM (9.84INCH)

WIDTH: 3.6MM (0.14 INCH)

THICKNESS: 1.2MM (0.047 INCH)

TENSILE STR. 40 LBS (18.2KGS/180N)

Fix & Fasten

5

5

6

6

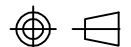
G

F

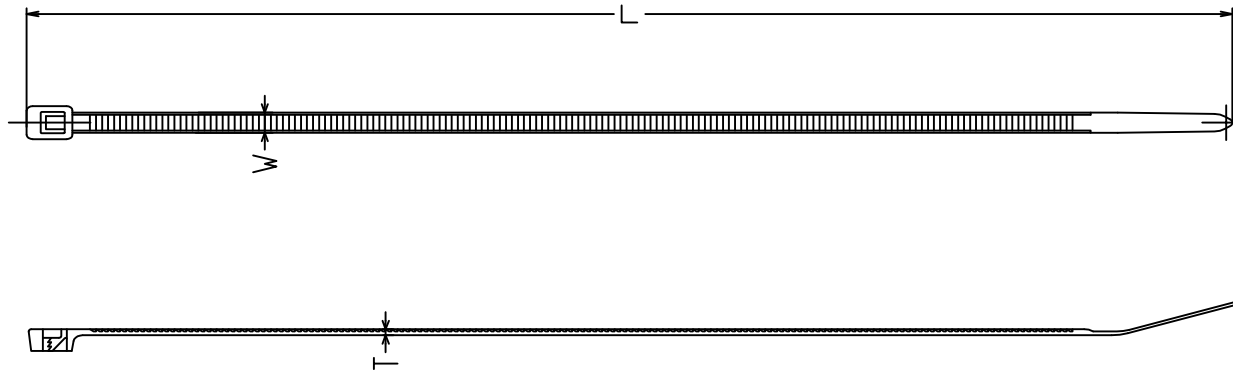
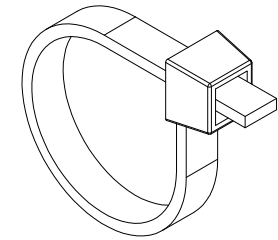
E

D

C



ITEM: FIX-S-3.6X280



NOTE :

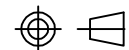
TEMPURATURE RANGE: -40C TO +85C (-40F TO 185F)

INCH TOLERANCE UNLESS OTHERWISE SPECIFIED: LOCK ± 0.0078 , WIDTH ± 0.0039 , THICKNESS ± 0.0019 , LENGTH ± 0.039 .

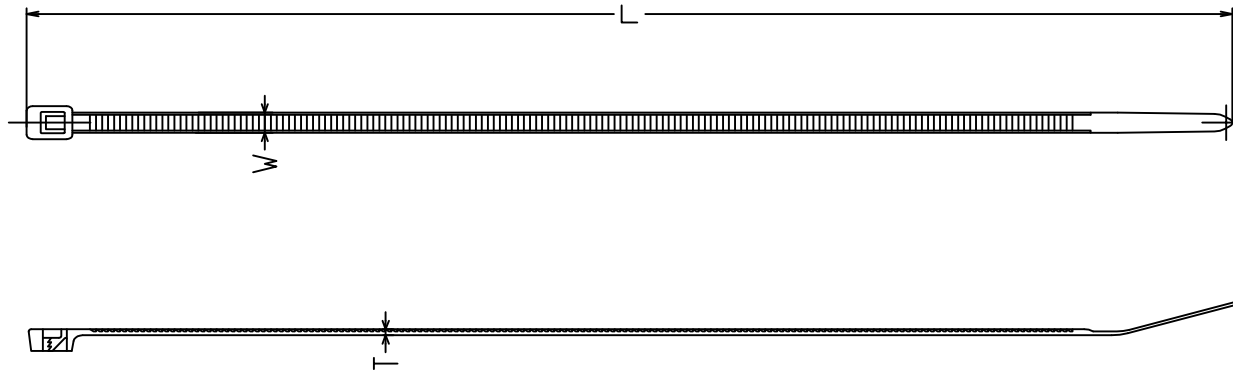
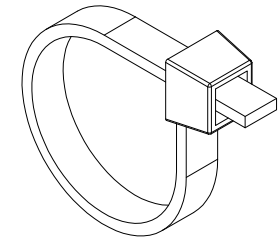
MILLIMETER TOLERANCE UNLESS OTHERWISE SPECIFIED: LOCK ± 0.2 , WIDTH ± 0.1 , THICKNESS ± 0.05 , LENGTH ± 1 .

| | |
|--------------|-----------------------|
| MATERIAL: | ASCEND PA66 NYLON |
| LEMGTH: | 280MM (11.02INCH) |
| WIDTH: | 3.6MM (0.14INCH) |
| THICKNESS: | 1.2MM (0.047 INCH) |
| TENSILE STR. | 40 LBS (18.2KGS/180N) |

Fix & Fasten



ITEM: FIX-S-3.6X300



NOTE :

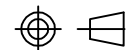
TEMPURATURE RANGE: -40C TO +85C (-40F TO 185F)

INCH TOLERANCE UNLESS OTHERWISE SPECIFIED: LOCK ± 0.0078 , WIDTH ± 0.0039 , THICKNESS ± 0.0019 , LENGTH ± 0.039 .

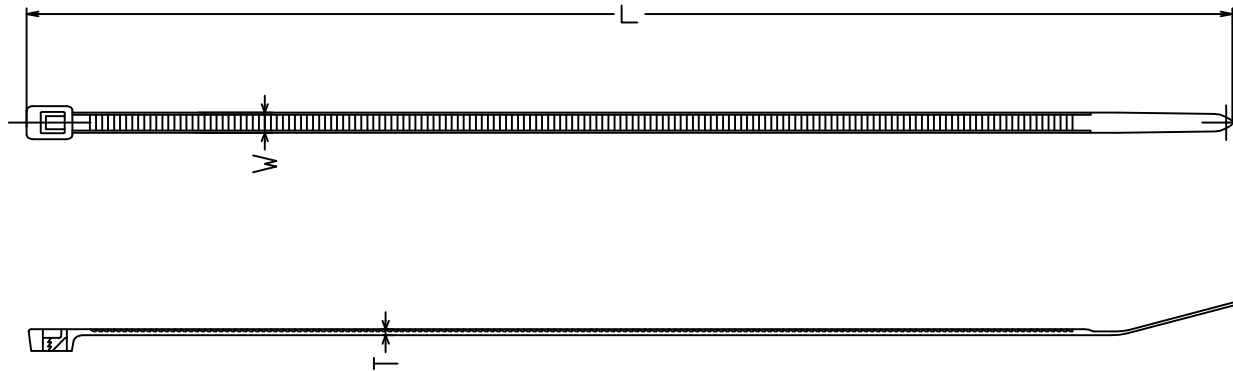
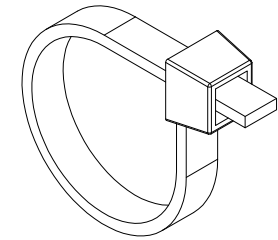
MILLIMETER TOLERANCE UNLESS OTHERWISE SPECIFIED: LOCK ± 0.2 , WIDTH ± 0.1 , THICKNESS ± 0.05 , LENGTH ± 1 .

| | |
|--------------|-----------------------|
| MATERIAL: | ASCEND PA66 NYLON |
| LEMGTH: | 300MM (11.81INCH) |
| WIDTH: | 3.6MM (0.14INCH) |
| THICKNESS: | 1.3MM (0.051 INCH) |
| TENSILE STR. | 40 LBS (18.2KGS/180N) |

Fix & Fasten



ITEM: FIX-S-3.6X370



NOTE :

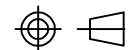
TEMPURATURE RANGE: -40C TO +85C (-40F TO 185F)

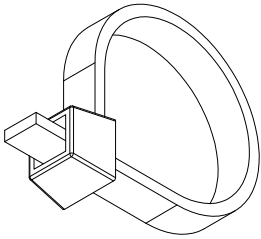
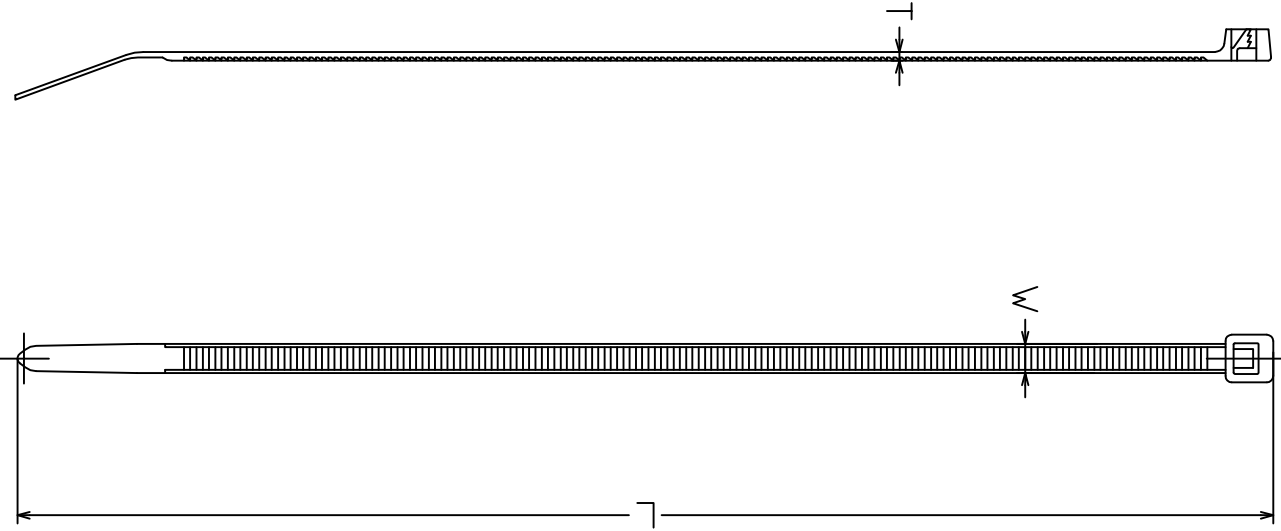

INCH TOLERANCE UNLESS OTHERWISE SPECIFIED: LOCK ± 0.0078 , WIDTH ± 0.0039 , THICKNESS ± 0.0019 , LENGTH ± 0.039 .

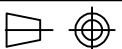
MILLIMETER TOLERANCE UNLESS OTHERWISE SPECIFIED: LOCK ± 0.2 , WIDTH ± 0.1 , THICKNESS ± 0.05 , LENGTH ± 1 .

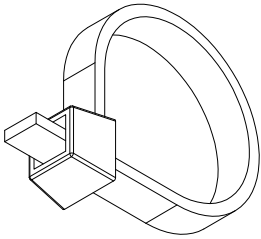
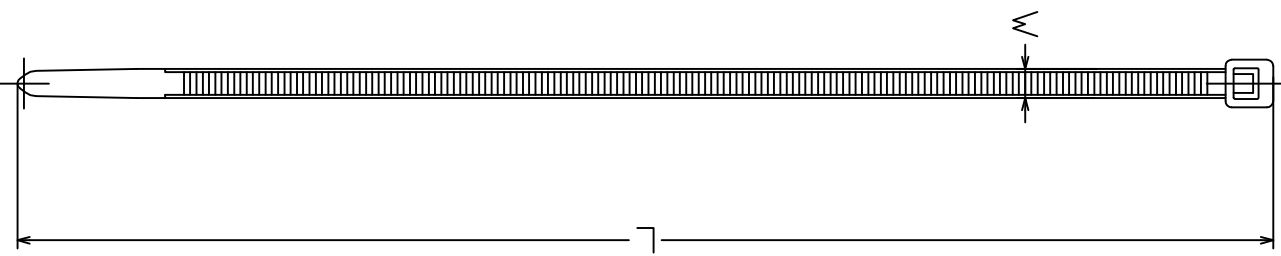
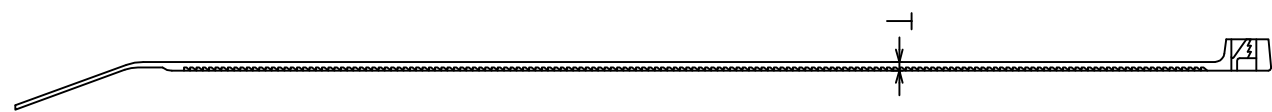
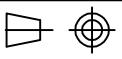
| | |
|--------------|-----------------------|
| MATERIAL: | ASCEND PA66 NYLON |
| LEMGTH: | 370MM (14.57INCH) |
| WIDTH: | 3.6MM (0.14INCH) |
| THICKNESS: | 1.3MM (0.051 INCH) |
| TENSILE STR. | 40 LBS (18.2KGS/180N) |

Fix & Fasten

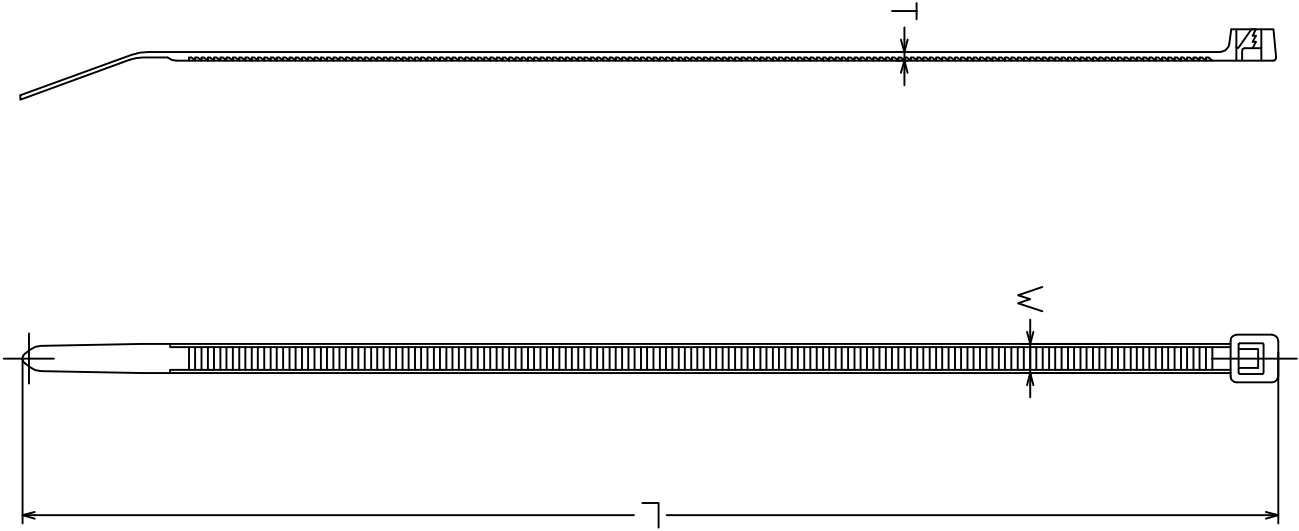
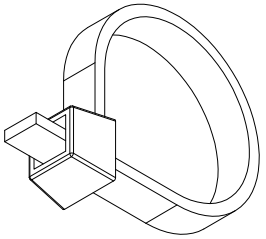


| | | | | | | | | | | | | | | | | | | | | | | | | | | | | | | | | | | | | | | | | | | |
|--------------|---|---|---|---|---|---|-----------|------------------------------------|--|--|--|--|---------|-------------------|--|--|--|--|--------|-------------------|--|--|--|--|------------|--------------------|--|--|--|--|--------------|-----------------------|--|--|--|--|--------------|--|--|--|--|--|
| A | B | C | D | E | F | G | | | | | | | | | | | | | | | | | | | | | | | | | | | | | | | | | | | | |
| 1 | <p>ITEM: FIX-S-4.8X120</p>  | | | | | | | | | | | | | | | | | | | | | | | | | | | | | | | | | | | | | | | | | |
| 2 |  | | | | | | | | | | | | | | | | | | | | | | | | | | | | | | | | | | | | | | | | | |
| 3 | | | | | | | | | | | | | | | | | | | | | | | | | | | | | | | | | | | | | | | | | | |
| 4 |  | | | | | | | | | | | | | | | | | | | | | | | | | | | | | | | | | | | | | | | | | |
| 5 | <table border="1" data-bbox="183 162 1137 571"> <tr> <td data-bbox="183 507 952 571">MATERIAL:</td> <td colspan="5" data-bbox="385 513 1124 555">ASCEND PA66 FOR ALL COLOR PRODUCTS</td> </tr> <tr> <td data-bbox="183 443 952 507">LENGTH:</td> <td colspan="5" data-bbox="676 450 945 491">120MM (4.72 INCH)</td> </tr> <tr> <td data-bbox="183 379 952 443">WIDTH:</td> <td colspan="5" data-bbox="667 386 945 427">4.8MM (0.19 INCH)</td> </tr> <tr> <td data-bbox="183 316 952 379">THICKNESS:</td> <td colspan="5" data-bbox="654 322 945 363">1.2MM (0.047 INCH)</td> </tr> <tr> <td data-bbox="183 252 952 316">TENSILE STR.</td> <td colspan="5" data-bbox="609 258 945 300">50 LBS (22.2KGS/222N)</td> </tr> <tr> <td colspan="6" data-bbox="945 178 1124 220">Fix & Fasten</td> </tr> </table> | | | | | | MATERIAL: | ASCEND PA66 FOR ALL COLOR PRODUCTS | | | | | LENGTH: | 120MM (4.72 INCH) | | | | | WIDTH: | 4.8MM (0.19 INCH) | | | | | THICKNESS: | 1.2MM (0.047 INCH) | | | | | TENSILE STR. | 50 LBS (22.2KGS/222N) | | | | | Fix & Fasten | | | | | |
| MATERIAL: | ASCEND PA66 FOR ALL COLOR PRODUCTS | | | | | | | | | | | | | | | | | | | | | | | | | | | | | | | | | | | | | | | | | |
| LENGTH: | 120MM (4.72 INCH) | | | | | | | | | | | | | | | | | | | | | | | | | | | | | | | | | | | | | | | | | |
| WIDTH: | 4.8MM (0.19 INCH) | | | | | | | | | | | | | | | | | | | | | | | | | | | | | | | | | | | | | | | | | |
| THICKNESS: | 1.2MM (0.047 INCH) | | | | | | | | | | | | | | | | | | | | | | | | | | | | | | | | | | | | | | | | | |
| TENSILE STR. | 50 LBS (22.2KGS/222N) | | | | | | | | | | | | | | | | | | | | | | | | | | | | | | | | | | | | | | | | | |
| Fix & Fasten | | | | | | | | | | | | | | | | | | | | | | | | | | | | | | | | | | | | | | | | | | |
| 6 | <p>NOTE: TEMPERATURE RANGE: -40C TO +85C (-40F TO 185F) INCH TOLERANCE UNLESS OTHERWISE SPECIFIED: LOCK ± 0.0078, WIDTH ± 0.0039, THICKNESS ± 0.0019, LENGTH ± 0.039. MILLIMETER TOLERANCE UNLESS OTHERWISE SPECIFIED: LOCK ± 0.05, LENGTH ± 1.</p> | | | | | | | | | | | | | | | | | | | | | | | | | | | | | | | | | | | | | | | | | |
| | | | | | | | | | | | | | | | | | | | | | | | | | | | | | | | | | | | | | | | | | | |



| | | | | | | | | | | | | | | | | | | | | | | | | | | | | | | | | | | | | | | | | | | |
|--------------|--|---|---|---|---|---|-----------|------------------------------------|--|--|--|--|---------|-------------------|--|--|--|--|--------|-------------------|--|--|--|--|------------|--------------------|--|--|--|--|--------------|-----------------------|--|--|--|--|--------------|--|--|--|--|--|
| A | B | C | D | E | F | G | | | | | | | | | | | | | | | | | | | | | | | | | | | | | | | | | | | | |
| 1 | <p>ITEM: FIX-S-4.8X160</p>  | | | | | | | | | | | | | | | | | | | | | | | | | | | | | | | | | | | | | | | | | |
| 2 |  | | | | | | | | | | | | | | | | | | | | | | | | | | | | | | | | | | | | | | | | | |
| 3 | | | | | | | | | | | | | | | | | | | | | | | | | | | | | | | | | | | | | | | | | | |
| 4 |  | | | | | | | | | | | | | | | | | | | | | | | | | | | | | | | | | | | | | | | | | |
| 5 | <p>NOTE: TEMPERATURE RANGE: -40C TO +85C (-40F TO 185F) INCH TOLERANCE UNLESS OTHERWISE SPECIFIED: LOCK ± 0.0078, WIDTH ± 0.0039, THICKNESS ± 0.0019, LENGTH ± 0.039. MILLIMETER TOLERANCE UNLESS OTHERWISE SPECIFIED: LOCK ± 0.05, LENGTH ± 1.</p> | | | | | | | | | | | | | | | | | | | | | | | | | | | | | | | | | | | | | | | | | |
| 6 | <table border="1"> <tr> <td data-bbox="183 497 952 561">MATERIAL:</td> <td colspan="5" data-bbox="385 497 1137 561">ASCEND PA66 FOR ALL COLOR PRODUCTS</td> </tr> <tr> <td data-bbox="183 434 952 497">LENGTH:</td> <td colspan="5" data-bbox="676 434 952 497">160MM (6.30 INCH)</td> </tr> <tr> <td data-bbox="183 370 952 434">WIDTH:</td> <td colspan="5" data-bbox="654 370 952 434">4.8MM (0.19 INCH)</td> </tr> <tr> <td data-bbox="183 306 952 370">THICKNESS:</td> <td colspan="5" data-bbox="654 306 952 370">1.2MM (0.047 INCH)</td> </tr> <tr> <td data-bbox="183 242 952 306">TENSILE STR.</td> <td colspan="5" data-bbox="586 242 952 306">50 LBS (22.2KGS/222N)</td> </tr> <tr> <td data-bbox="183 162 952 242">Fix & Fasten</td> <td colspan="5" data-bbox="952 162 1137 242"></td> </tr> </table> | | | | | | MATERIAL: | ASCEND PA66 FOR ALL COLOR PRODUCTS | | | | | LENGTH: | 160MM (6.30 INCH) | | | | | WIDTH: | 4.8MM (0.19 INCH) | | | | | THICKNESS: | 1.2MM (0.047 INCH) | | | | | TENSILE STR. | 50 LBS (22.2KGS/222N) | | | | | Fix & Fasten | | | | | |
| MATERIAL: | ASCEND PA66 FOR ALL COLOR PRODUCTS | | | | | | | | | | | | | | | | | | | | | | | | | | | | | | | | | | | | | | | | | |
| LENGTH: | 160MM (6.30 INCH) | | | | | | | | | | | | | | | | | | | | | | | | | | | | | | | | | | | | | | | | | |
| WIDTH: | 4.8MM (0.19 INCH) | | | | | | | | | | | | | | | | | | | | | | | | | | | | | | | | | | | | | | | | | |
| THICKNESS: | 1.2MM (0.047 INCH) | | | | | | | | | | | | | | | | | | | | | | | | | | | | | | | | | | | | | | | | | |
| TENSILE STR. | 50 LBS (22.2KGS/222N) | | | | | | | | | | | | | | | | | | | | | | | | | | | | | | | | | | | | | | | | | |
| Fix & Fasten | | | | | | | | | | | | | | | | | | | | | | | | | | | | | | | | | | | | | | | | | | |
| 6 |  | | | | | | | | | | | | | | | | | | | | | | | | | | | | | | | | | | | | | | | | | |

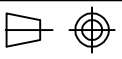
ITEM: FIX-S-4.8X180


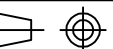


NOTE:

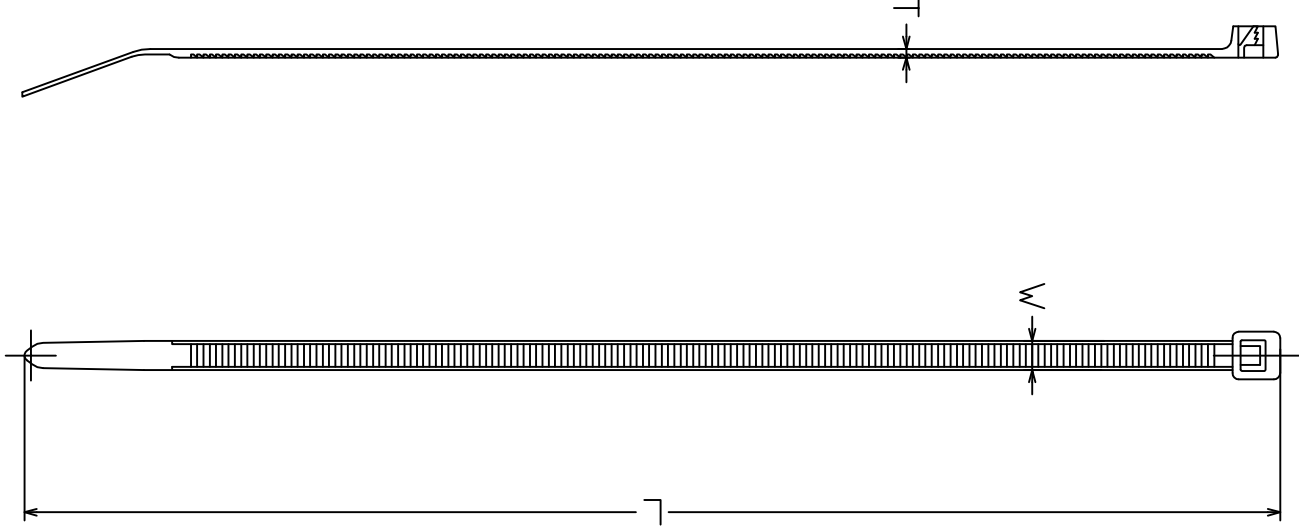
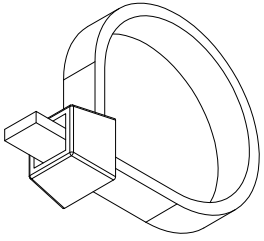
TEMPERATURE RANGE: -40C TO +85C (-40F TO 185F)
 INCH TOLERANCE UNLESS OTHERWISE SPECIFIED: LOCK ± 0.0078, WIDTH ± 0.0039, THICKNESS ± 0.0019, LENGTH ± 0.039.
 MILLIMETER TOLERANCE UNLESS OTHERWISE SPECIFIED: LOCK ± 0.2, WIDTH ± 0.1, THICKNESS ± 0.05, LENGTH ± 1.

| | |
|--|-----------------------|
| MATERIAL: ASCEND PA66 FOR ALL COLOR PRODUCTS | |
| LENGTH: | 180MM (7.09 INCH) |
| WIDTH: | 4.8MM (0.19 INCH) |
| THICKNESS: | 1.2MM (0.047 INCH) |
| TENSILE STR. | 50 LBS (22.2KGS/222N) |
| Fix & Fasten | |



| | | | | | | | | | | | | | | | | | | | | | | | | | | | | | | | | | | | | | | | | | | |
|--------------|--|---|---|---|---|---|-----------|------------------------------------|--|--|--|--|---------|-------------------|--|--|--|--|--------|-------------------|--|--|--|--|------------|--------------------|--|--|--|--|--------------|-----------------------|--|--|--|--|--------------|--|--|--|--|--|
| A | B | C | D | E | F | G | | | | | | | | | | | | | | | | | | | | | | | | | | | | | | | | | | | | |
| 1 | ITEM: FIX-S-4.8X185 | | | | | | | | | | | | | | | | | | | | | | | | | | | | | | | | | | | | | | | | | |
| 2 |  | | | | | | | | | | | | | | | | | | | | | | | | | | | | | | | | | | | | | | | | | |
| 3 | | | | | | | | | | | | | | | | | | | | | | | | | | | | | | | | | | | | | | | | | | |
| 4 | | | | | | | | | | | | | | | | | | | | | | | | | | | | | | | | | | | | | | | | | | |
| 5 | <p>NOTE: TEMPERATURE RANGE: -40C TO +85C (-40F TO 185F) INCH TOLERANCE UNLESS OTHERWISE SPECIFIED: LOCK ± 0.0078, WIDTH ± 0.0039, THICKNESS ± 0.0019, LENGTH ± 0.039. MILLIMETER TOLERANCE UNLESS OTHERWISE SPECIFIED: LOCK ± 0.05, LENGTH ± 1.</p> | | | | | | | | | | | | | | | | | | | | | | | | | | | | | | | | | | | | | | | | | |
| 6 | <table border="1"> <tr> <td data-bbox="183 497 952 561">MATERIAL:</td> <td colspan="5" data-bbox="385 497 1137 561">ASCEND PA66 FOR ALL COLOR PRODUCTS</td> </tr> <tr> <td data-bbox="183 434 952 497">LENGTH:</td> <td colspan="5" data-bbox="676 434 952 497">185MM (7.28 INCH)</td> </tr> <tr> <td data-bbox="183 370 952 434">WIDTH:</td> <td colspan="5" data-bbox="654 370 952 434">4.8MM (0.19 INCH)</td> </tr> <tr> <td data-bbox="183 306 952 370">THICKNESS:</td> <td colspan="5" data-bbox="654 306 952 370">1.2MM (0.047 INCH)</td> </tr> <tr> <td data-bbox="183 242 952 306">TENSILE STR.</td> <td colspan="5" data-bbox="609 242 952 306">50 LBS (22.2KGS/222N)</td> </tr> <tr> <td data-bbox="183 162 952 242">Fix & Fasten</td> <td colspan="5" data-bbox="952 162 1137 242"></td> </tr> </table> | | | | | | MATERIAL: | ASCEND PA66 FOR ALL COLOR PRODUCTS | | | | | LENGTH: | 185MM (7.28 INCH) | | | | | WIDTH: | 4.8MM (0.19 INCH) | | | | | THICKNESS: | 1.2MM (0.047 INCH) | | | | | TENSILE STR. | 50 LBS (22.2KGS/222N) | | | | | Fix & Fasten | | | | | |
| MATERIAL: | ASCEND PA66 FOR ALL COLOR PRODUCTS | | | | | | | | | | | | | | | | | | | | | | | | | | | | | | | | | | | | | | | | | |
| LENGTH: | 185MM (7.28 INCH) | | | | | | | | | | | | | | | | | | | | | | | | | | | | | | | | | | | | | | | | | |
| WIDTH: | 4.8MM (0.19 INCH) | | | | | | | | | | | | | | | | | | | | | | | | | | | | | | | | | | | | | | | | | |
| THICKNESS: | 1.2MM (0.047 INCH) | | | | | | | | | | | | | | | | | | | | | | | | | | | | | | | | | | | | | | | | | |
| TENSILE STR. | 50 LBS (22.2KGS/222N) | | | | | | | | | | | | | | | | | | | | | | | | | | | | | | | | | | | | | | | | | |
| Fix & Fasten | | | | | | | | | | | | | | | | | | | | | | | | | | | | | | | | | | | | | | | | | | |
| 6 |  | | | | | | | | | | | | | | | | | | | | | | | | | | | | | | | | | | | | | | | | | |

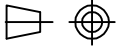
ITEM: FIX-S-4.8X200S

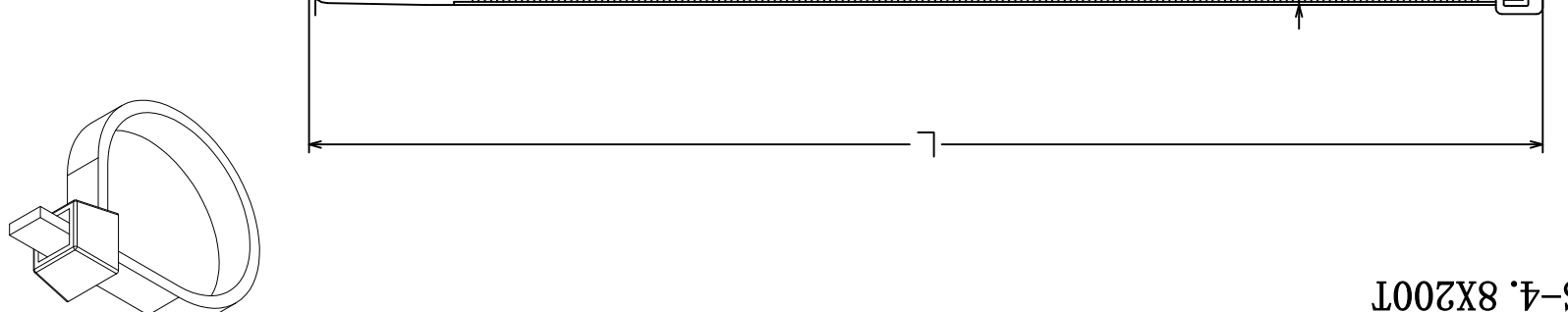
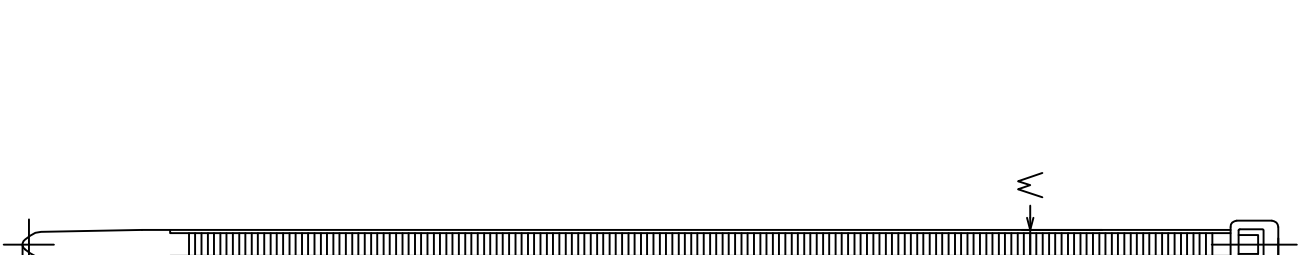
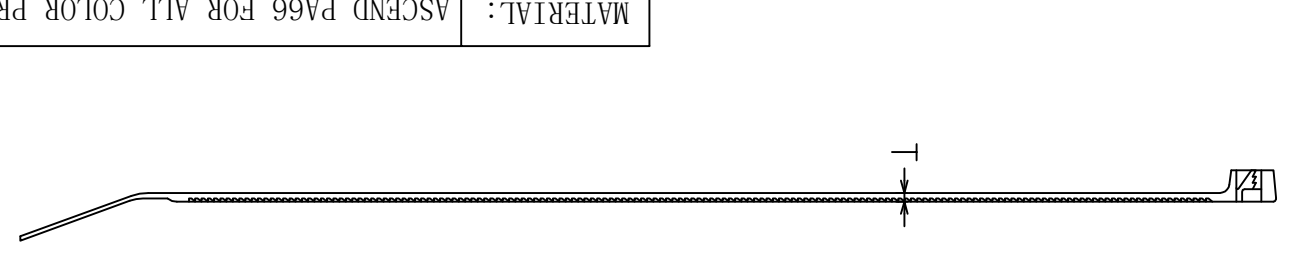


NOTE:

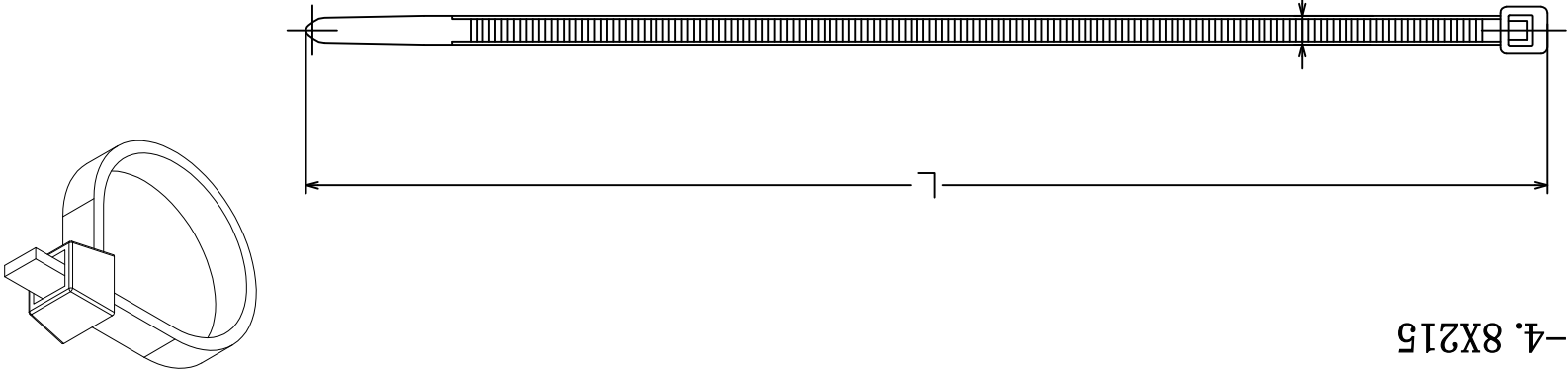

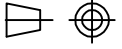
TEMPERATURE RANGE: -40C TO +85C (-40F TO 185F)
 INCH TOLERANCE UNLESS OTHERWISE SPECIFIED: LOCK ± 0.0078, WIDTH ± 0.0039, THICKNESS ± 0.0019, LENGTH ± 0.039.
 MILLIMETER TOLERANCE UNLESS OTHERWISE SPECIFIED: LOCK ± 0.2, WIDTH ± 0.1, THICKNESS ± 0.05, LENGTH ± 1.

| | |
|--|-----------------------|
| MATERIAL: ASCEND PA66 FOR ALL COLOR PRODUCTS | |
| LENGTH: | 200MM (7.87 INCH) |
| WIDTH: | 4.8MM (0.19 INCH) |
| THICKNESS: | 1.2MM (0.047 INCH) |
| TENSILE STR. | 50 LBS (22.2KGS/222N) |
| Fix & Fasten | |

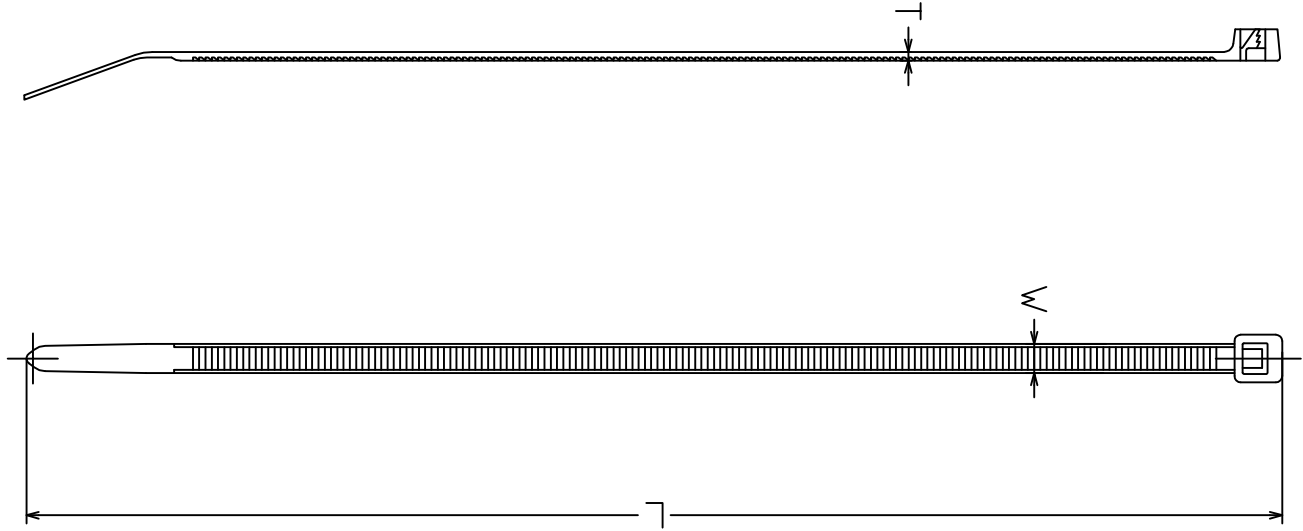
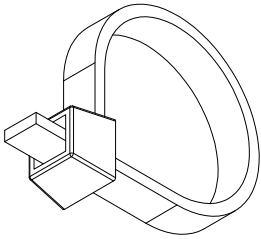


| | | | | | | | | | | | | | | | | | | | | | | | | | | | | | | | | | | | | |
|--------------|--|---|---|---|---|---|--------------|------------------------------------|--|--|--|--|---------|-------------------|--|--|--|--|--------|-------------------|--|--|--|--|------------|--------------------|--|--|--|--|--------------|------------------------|--|--|--|--|
| A | B | C | D | E | F | G | | | | | | | | | | | | | | | | | | | | | | | | | | | | | | |
| 1 | ITEM: FIX-S-4.8X200T | | | | | | | | | | | | | | | | | | | | | | | | | | | | | | | | | | | |
| 2 |  | | | | | | | | | | | | | | | | | | | | | | | | | | | | | | | | | | | |
| 3 |  | | | | | | | | | | | | | | | | | | | | | | | | | | | | | | | | | | | |
| 4 |  | | | | | | | | | | | | | | | | | | | | | | | | | | | | | | | | | | | |
| 5 | <table border="1" data-bbox="179 271 1142 526"> <tr> <td data-bbox="179 494 940 526">MATERIAL:</td> <td colspan="5" data-bbox="940 494 1142 526">ASCEND PA66 FOR ALL COLOR PRODUCTS</td> </tr> <tr> <td data-bbox="179 446 940 494">LENGTH:</td> <td colspan="5" data-bbox="940 446 1142 494">200MM (7.87 INCH)</td> </tr> <tr> <td data-bbox="179 399 940 446">WIDTH:</td> <td colspan="5" data-bbox="940 399 1142 446">4.8MM (0.19 INCH)</td> </tr> <tr> <td data-bbox="179 351 940 399">THICKNESS:</td> <td colspan="5" data-bbox="940 351 1142 399">1.3MM (0.051 INCH)</td> </tr> <tr> <td data-bbox="179 271 940 351">TENSILE STR.</td> <td colspan="5" data-bbox="940 271 1142 351">75 LBS (34.02KGS/333N)</td> </tr> </table> | | | | | | MATERIAL: | ASCEND PA66 FOR ALL COLOR PRODUCTS | | | | | LENGTH: | 200MM (7.87 INCH) | | | | | WIDTH: | 4.8MM (0.19 INCH) | | | | | THICKNESS: | 1.3MM (0.051 INCH) | | | | | TENSILE STR. | 75 LBS (34.02KGS/333N) | | | | |
| MATERIAL: | ASCEND PA66 FOR ALL COLOR PRODUCTS | | | | | | | | | | | | | | | | | | | | | | | | | | | | | | | | | | | |
| LENGTH: | 200MM (7.87 INCH) | | | | | | | | | | | | | | | | | | | | | | | | | | | | | | | | | | | |
| WIDTH: | 4.8MM (0.19 INCH) | | | | | | | | | | | | | | | | | | | | | | | | | | | | | | | | | | | |
| THICKNESS: | 1.3MM (0.051 INCH) | | | | | | | | | | | | | | | | | | | | | | | | | | | | | | | | | | | |
| TENSILE STR. | 75 LBS (34.02KGS/333N) | | | | | | | | | | | | | | | | | | | | | | | | | | | | | | | | | | | |
| 6 | <table border="1" data-bbox="179 95 1142 271"> <tr> <td colspan="6" data-bbox="179 175 1142 223">Fix & Fasten</td> </tr> </table> | | | | | | Fix & Fasten | | | | | | | | | | | | | | | | | | | | | | | | | | | | | |
| Fix & Fasten | | | | | | | | | | | | | | | | | | | | | | | | | | | | | | | | | | | | |
| | | | | | | | | | | | | | | | | | | | | | | | | | | | | | | | | | | | | |

NOTE:
TEMPERATURE RANGE: -40C TO +85C (-40F TO 185F)
INCH TOLERANCE UNLESS OTHERWISE SPECIFIED: LOCK ± 0.0078, WIDTH ± 0.0039, THICKNESS ± 0.0019, LENGTH ± 0.039.
MILLIMETER TOLERANCE UNLESS OTHERWISE SPECIFIED: LOCK ± 0.05, LENGTH ± 1.

| | | | | | | | | | | | | | | | | | | | | | | | | | | | | | | | | | | | | | | | | | | |
|--------------|--|---|---|---|---|---|-----------|------------------------------------|--|--|--|--|---------|-------------------|--|--|--|--|--------|-------------------|--|--|--|--|------------|--------------------|--|--|--|--|--------------|------------------------|--|--|--|--|--------------|--|--|--|--|--|
| A | B | C | D | E | F | G | | | | | | | | | | | | | | | | | | | | | | | | | | | | | | | | | | | | |
| 1 | ITEM: FIX-S-4.8X215 | | | | | | | | | | | | | | | | | | | | | | | | | | | | | | | | | | | | | | | | | |
| 2 |  | | | | | | | | | | | | | | | | | | | | | | | | | | | | | | | | | | | | | | | | | |
| 3 | | | | | | | | | | | | | | | | | | | | | | | | | | | | | | | | | | | | | | | | | | |
| 4 |  | | | | | | | | | | | | | | | | | | | | | | | | | | | | | | | | | | | | | | | | | |
| 5 | <p>NOTE: TEMPERATURE RANGE: -40C TO +85C (-40F TO 185F) INCH TOLERANCE UNLESS OTHERWISE SPECIFIED: LOCK ± 0.0078, WIDTH ± 0.0039, THICKNESS ± 0.0019, LENGTH ± 0.039. MILLIMETER TOLERANCE UNLESS OTHERWISE SPECIFIED: LOCK ± 0.05, LENGTH ± 1.</p> | | | | | | | | | | | | | | | | | | | | | | | | | | | | | | | | | | | | | | | | | |
| 6 | <table border="1" data-bbox="183 162 1137 571"> <tr> <td data-bbox="183 507 952 571">MATERIAL:</td> <td colspan="5" data-bbox="385 518 1137 555">ASCEND PA66 FOR ALL COLOR PRODUCTS</td> </tr> <tr> <td data-bbox="183 443 952 507">LENGTH:</td> <td colspan="5" data-bbox="683 454 952 491">215MM (8.46 INCH)</td> </tr> <tr> <td data-bbox="183 379 952 443">WIDTH:</td> <td colspan="5" data-bbox="660 391 952 427">4.8MM (0.19 INCH)</td> </tr> <tr> <td data-bbox="183 316 952 379">THICKNESS:</td> <td colspan="5" data-bbox="649 327 952 363">1.2MM (0.047 INCH)</td> </tr> <tr> <td data-bbox="183 252 952 316">TENSILE STR.</td> <td colspan="5" data-bbox="600 263 952 300">50 LBS (22.2 KGS/222N)</td> </tr> <tr> <td colspan="6" data-bbox="945 183 1137 220">Fix & Fasten</td> </tr> </table> | | | | | | MATERIAL: | ASCEND PA66 FOR ALL COLOR PRODUCTS | | | | | LENGTH: | 215MM (8.46 INCH) | | | | | WIDTH: | 4.8MM (0.19 INCH) | | | | | THICKNESS: | 1.2MM (0.047 INCH) | | | | | TENSILE STR. | 50 LBS (22.2 KGS/222N) | | | | | Fix & Fasten | | | | | |
| MATERIAL: | ASCEND PA66 FOR ALL COLOR PRODUCTS | | | | | | | | | | | | | | | | | | | | | | | | | | | | | | | | | | | | | | | | | |
| LENGTH: | 215MM (8.46 INCH) | | | | | | | | | | | | | | | | | | | | | | | | | | | | | | | | | | | | | | | | | |
| WIDTH: | 4.8MM (0.19 INCH) | | | | | | | | | | | | | | | | | | | | | | | | | | | | | | | | | | | | | | | | | |
| THICKNESS: | 1.2MM (0.047 INCH) | | | | | | | | | | | | | | | | | | | | | | | | | | | | | | | | | | | | | | | | | |
| TENSILE STR. | 50 LBS (22.2 KGS/222N) | | | | | | | | | | | | | | | | | | | | | | | | | | | | | | | | | | | | | | | | | |
| Fix & Fasten | | | | | | | | | | | | | | | | | | | | | | | | | | | | | | | | | | | | | | | | | | |
| 6 |  | | | | | | | | | | | | | | | | | | | | | | | | | | | | | | | | | | | | | | | | | |

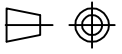
ITEM: FIX-S-4.8X250S

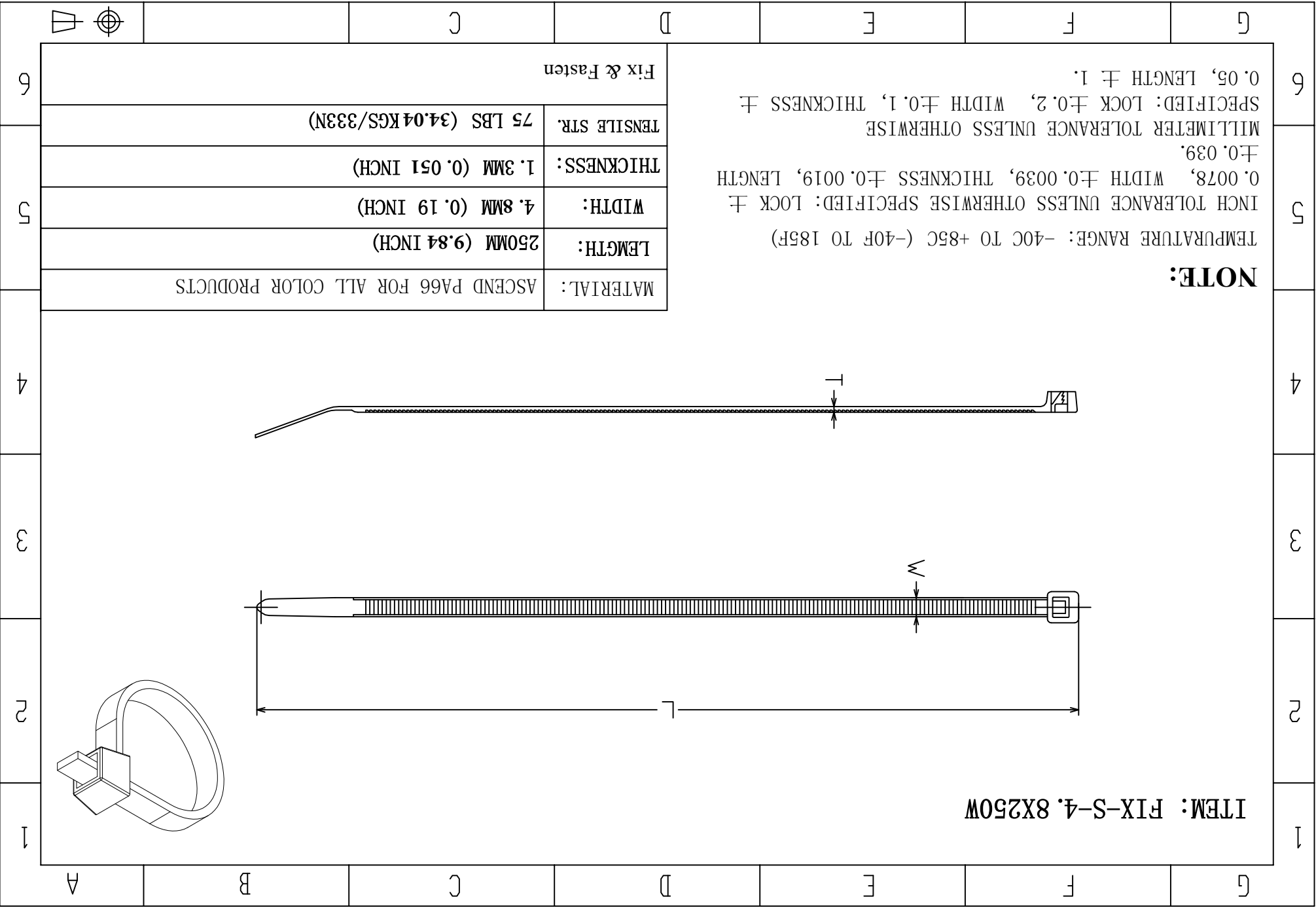


NOTE:

TEMPERATURE RANGE: -40C TO +85C (-40F TO 185F)
 INCH TOLERANCE UNLESS OTHERWISE SPECIFIED: LOCK ± 0.0078, WIDTH ± 0.0039, THICKNESS ± 0.0019, LENGTH ± 0.039.
 MILLIMETER TOLERANCE UNLESS OTHERWISE SPECIFIED: LOCK ± 0.2, WIDTH ± 0.1, THICKNESS ± 0.05, LENGTH ± 1.

| | |
|--|-----------------------|
| MATERIAL: ASCEND PA66 FOR ALL COLOR PRODUCTS | |
| LENGTH: | 250MM (9.84 INCH) |
| WIDTH: | 4.8MM (0.19 INCH) |
| THICKNESS: | 1.2MM (0.047 INCH) |
| TENSILE STR. | 50 LBS (22.2KGS/222N) |
| Fix & Fasten | |

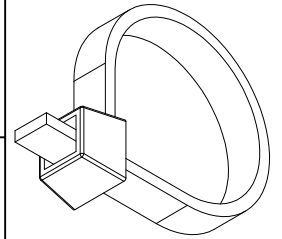






A

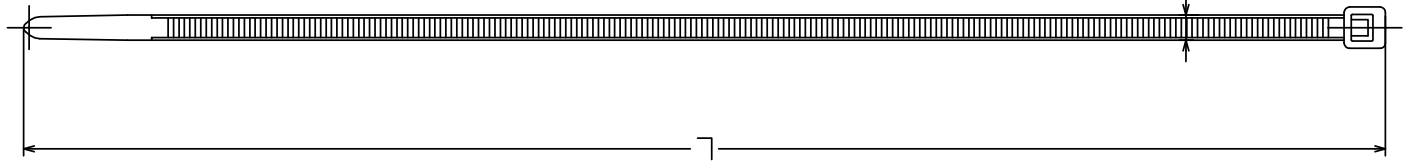
1



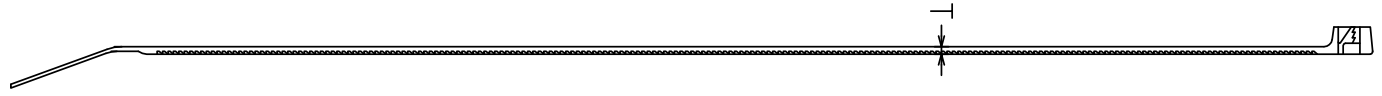
2

B

3



4



5

MATERIAL: ASCEND PA66 FOR ALL COLOR PRODUCTS

LENGTH: 280MM (11.02 INCH)

WIDTH: 4.8MM (0.19 INCH)

THICKNESS: 1.2MM (0.047 INCH)

TENSILE STR. 50 LBS (22.2KGS/222N)

Fix & Fasten

6

ITEM: FIX-S-4.8X280S

G

1

F

2

E

3

D

4

C

G

NOTE:

TEMPERATURE RANGE: -40C TO +85C (-40F TO 185F)
INCH TOLERANCE UNLESS OTHERWISE SPECIFIED: LOCK ± 0.0078, WIDTH ± 0.0039, THICKNESS ± 0.0019, LENGTH ± 0.039.
MILLIMETER TOLERANCE UNLESS OTHERWISE SPECIFIED: LOCK ± 0.2, WIDTH ± 0.1, THICKNESS ± 0.05, LENGTH ± 1.

A

B

C

D

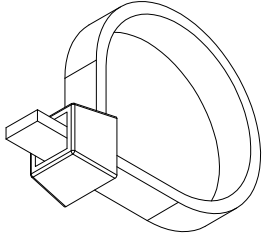
E

F

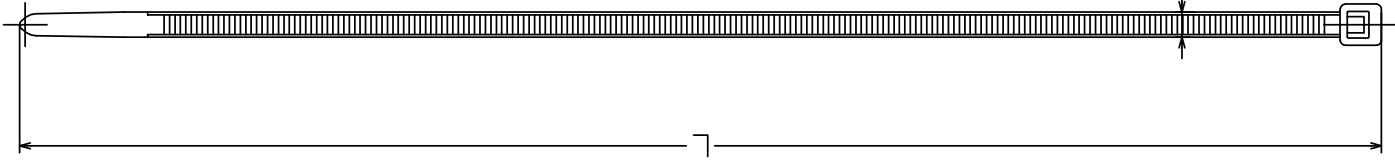
G

1

ITEM : FIX-S-4.8X280T

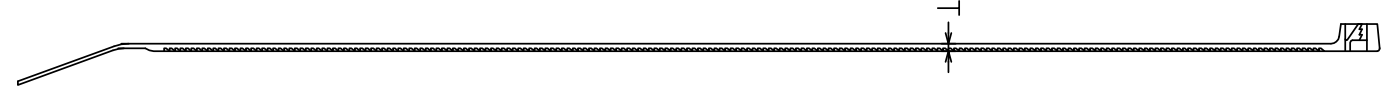


2



3

3



4

4

NOTE:

TEMPERATURE RANGE: -40C TO +85C (-40F TO 185F)
INCH TOLERANCE UNLESS OTHERWISE SPECIFIED: LOCK \pm 0.0078, WIDTH \pm 0.0039, THICKNESS \pm 0.0019, LENGTH \pm 0.039.
MILLIMETER TOLERANCE UNLESS OTHERWISE SPECIFIED: LOCK \pm 0.2, WIDTH \pm 0.1, THICKNESS \pm 0.05, LENGTH \pm 1.

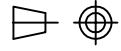
5

5

| | |
|--|--------------|
| MATERIAL: ASCEND PA66 FOR ALL COLOR PRODUCTS | |
| LENGTH: 280MM (11.02 INCH) | |
| WIDTH: 4.8MM (0.19 INCH) | |
| THICKNESS: 1.3MM (0.051 INCH) | |
| TENSILE STR. 75 LBS (34.04KGS/333N) | Fix & Fasten |

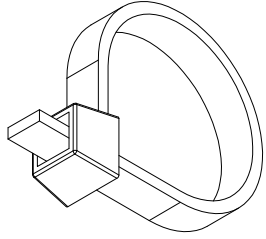
6

6



G F E D C B A

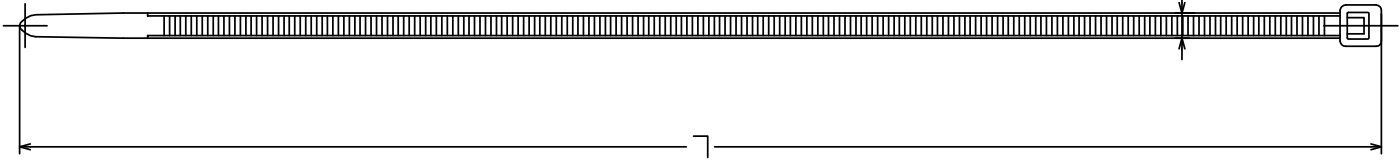
1



ITEM : FIX-S-4.8X300S

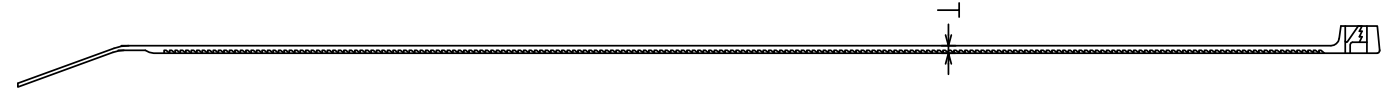
1

2



3

4



5

NOTE:
 TEMPERATURE RANGE: -40C TO +85C (-40F TO 185F)
 INCH TOLERANCE UNLESS OTHERWISE SPECIFIED: LOCK ± 0.0078, WIDTH ± 0.0039, THICKNESS ± 0.0019, LENGTH ± 0.078.
 MILLIMETER TOLERANCE UNLESS OTHERWISE SPECIFIED: LOCK ± 0.2, WIDTH ± 0.1, THICKNESS ± 0.05, LENGTH ± 1.

6

MATERIAL: ASCEND PA66 FOR ALL COLOR PRODUCTS

LENGTH: 300MM (11.81 INCH)

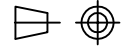
WIDTH: 4.8MM (0.19 INCH)

THICKNESS: 1.2MM (0.047 INCH)

TENSILE STR. 50 LBS (22.2 KGS/222N)

Fix & Fasten

6



A

B

C

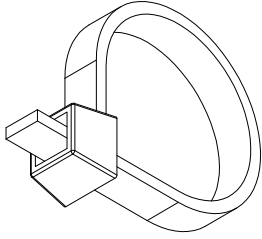
D

E

F

G

1



2

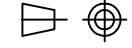
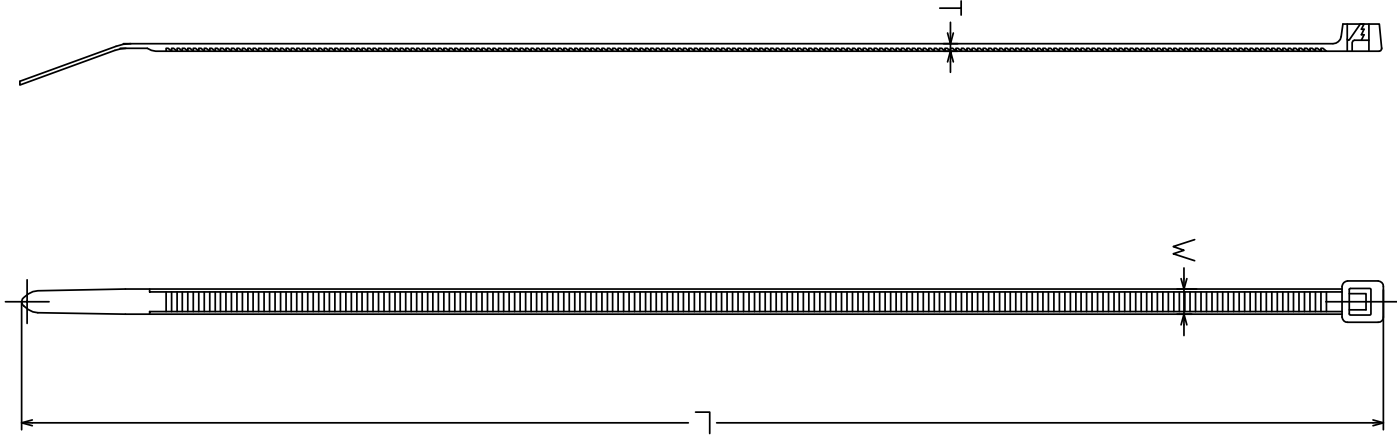
3

4

5

6

ITEM : FIX-S-4.8X300T



MATERIAL: ASCEND PA66 FOR ALL COLOR PRODUCTS

LENGTH: 300MM (11.81 INCH)

WIDTH: 4.8MM (0.19 INCH)

THICKNESS: 1.3MM (0.051 INCH)

TENSILE STR. 75 LBS (34.04KGS/333N)

Fix & Fasten

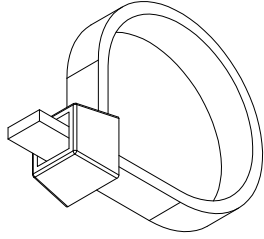
NOTE:

TEMPERATURE RANGE: -40C TO +85C (-40F TO 185F)

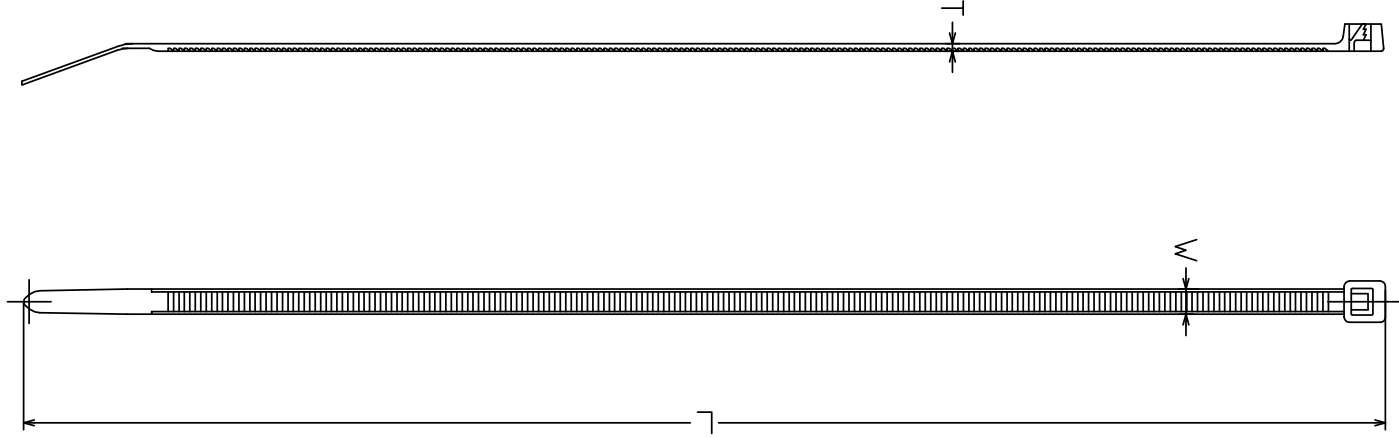
INCH TOLERANCE UNLESS OTHERWISE SPECIFIED: LOCK ± 0.0078, WIDTH ± 0.0039, THICKNESS ± 0.0019, LENGTH ± 0.078.

MILLIMETER TOLERANCE UNLESS OTHERWISE

SPECIFIED: LOCK ± 0.2, WIDTH ± 0.1, THICKNESS ± 0.05, LENGTH ± 1.



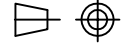
ITEM : FIX-S-4.8X350

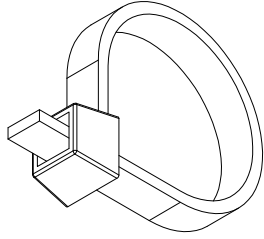


NOTE:

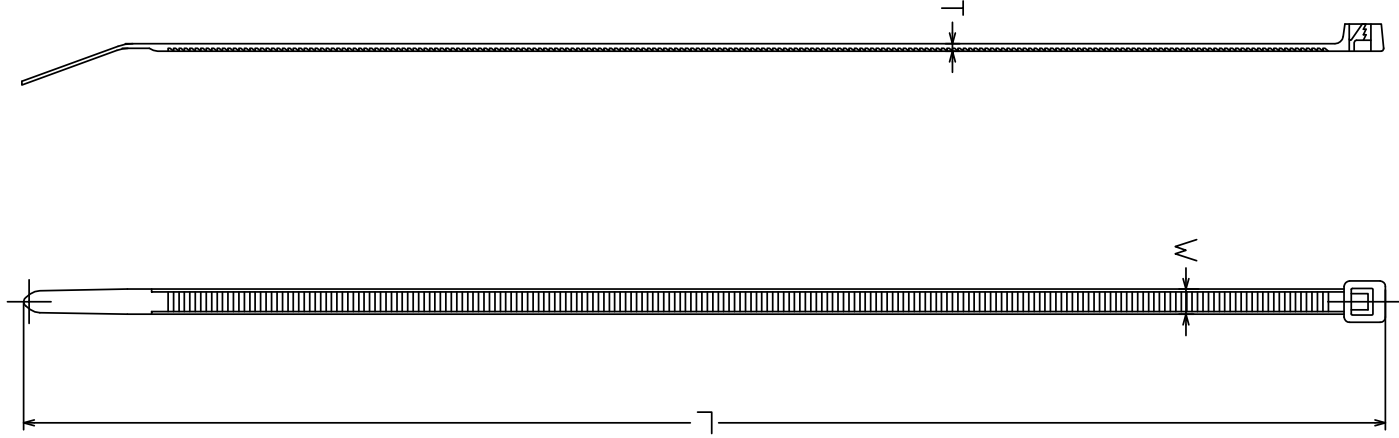
TEMPERATURE RANGE: -40C TO +85C (-40F TO 185F)
 INCH TOLERANCE UNLESS OTHERWISE SPECIFIED: LOCK ± 0.0078, WIDTH ± 0.0039, THICKNESS ± 0.0019, LENGTH ± 0.078.
 MILLIMETER TOLERANCE UNLESS OTHERWISE SPECIFIED: LOCK ± 0.2, WIDTH ± 0.1, THICKNESS ± 0.05, LENGTH ± 1.

| | |
|--|-----------------------|
| MATERIAL: ASCEND PA66 FOR ALL COLOR PRODUCTS | |
| LENGTH: | 350MM (13.78 INCH) |
| WIDTH: | 4.8MM (0.19 INCH) |
| THICKNESS: | 1.2MM (0.047 INCH) |
| TENSILE STR. | 50 LBS (22.2KGS/222N) |
| Fix & Fasten | |





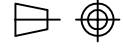
ITEM: FIX-S-4.8X370S

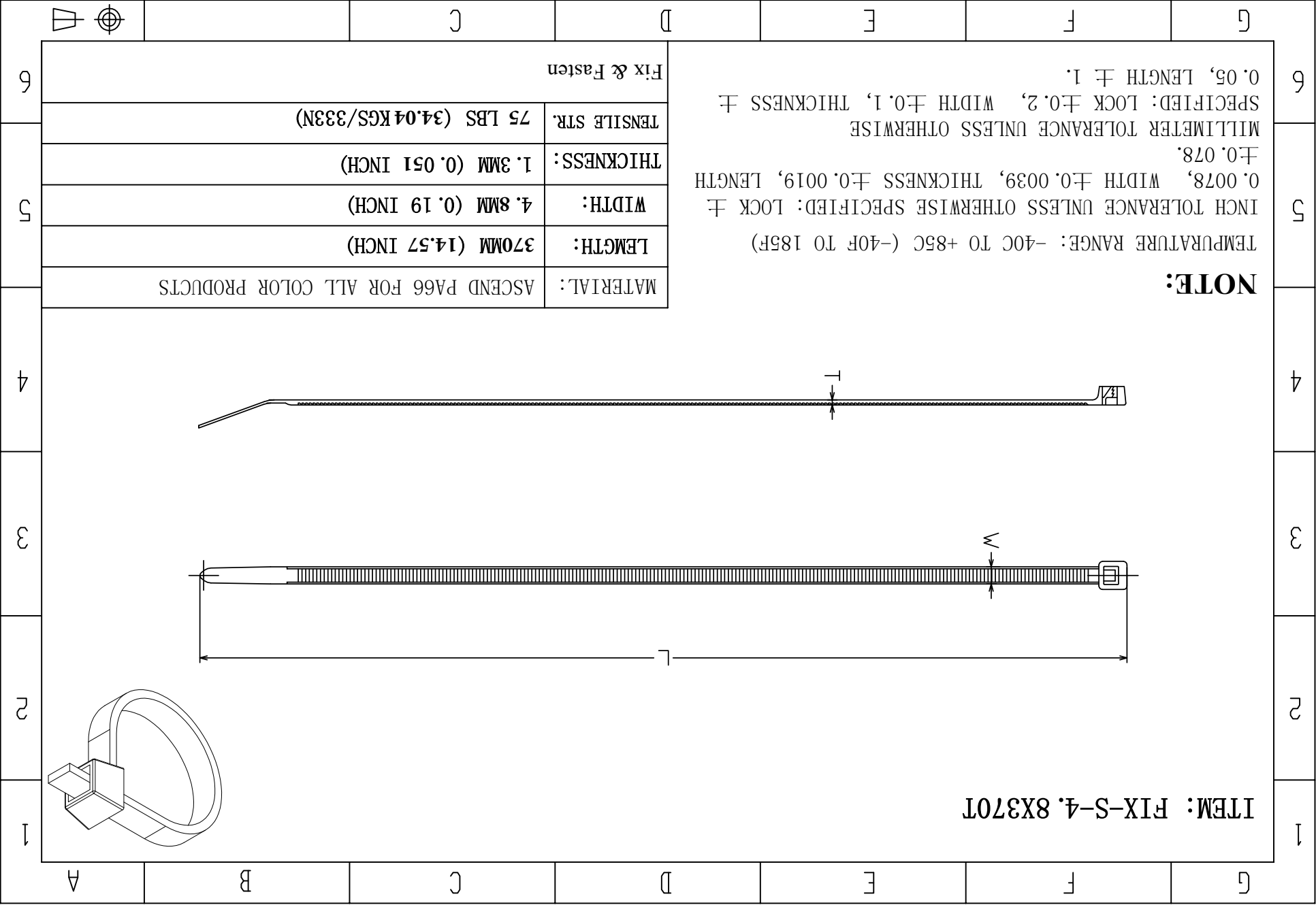


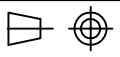
NOTE:

TEMPERATURE RANGE: -40C TO +85C (-40F TO 185F)
 INCH TOLERANCE UNLESS OTHERWISE SPECIFIED: LOCK ± 0.0078, WIDTH ± 0.0039, THICKNESS ± 0.0019, LENGTH ± 0.078.
 MILLIMETER TOLERANCE UNLESS OTHERWISE SPECIFIED: LOCK ± 0.2, WIDTH ± 0.1, THICKNESS ± 0.05, LENGTH ± 1.

| | |
|--|--------------|
| MATERIAL: ASCEND PA66 FOR ALL COLOR PRODUCTS | |
| LENGTH: 370MM (14.57 INCH) | |
| WIDTH: 4.8MM (0.19 INCH) | |
| THICKNESS: 1.2MM (0.047 INCH) | |
| TENSILE STR. 50 LBS (22.2KGS/222N) | Fix & Fasten |



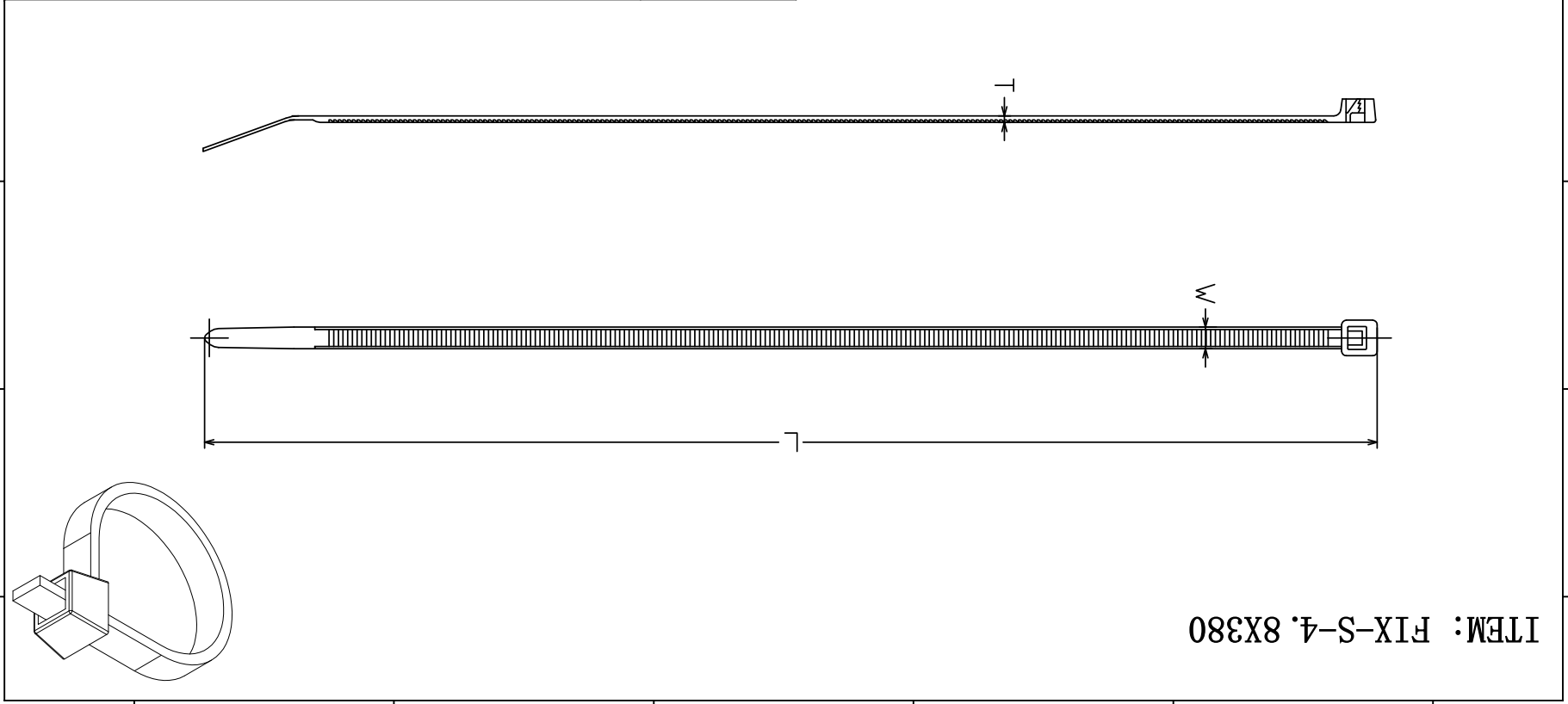




6
5
4
3
2
1

| | |
|--|-----------------------|
| MATERIAL: ASCEND PA66 FOR ALL COLOR PRODUCTS | |
| LENGTH: | 380MM (14.96 INCH) |
| WIDTH: | 4.8MM (0.19 INCH) |
| THICKNESS: | 1.2MM (0.047 INCH) |
| TENSILE STR. | 50 LBS (22.2KGS/222N) |
| Fix & Fasten | |

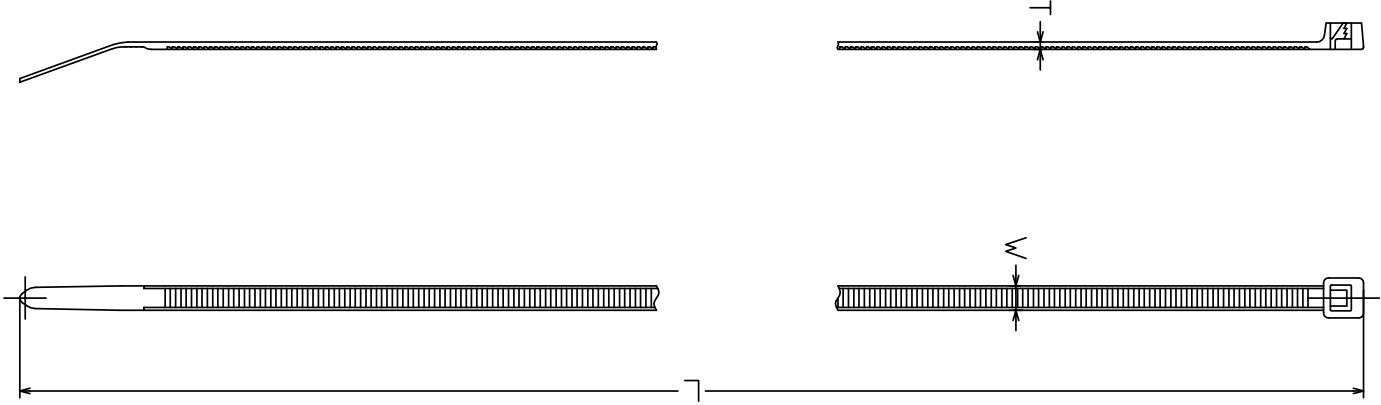
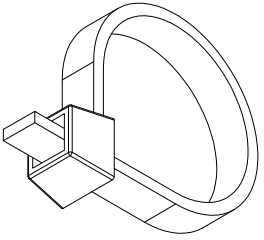
NOTE:
 TEMPERATURE RANGE: -40C TO +85C (-40F TO 185F)
 INCH TOLERANCE UNLESS OTHERWISE SPECIFIED: LOCK ± 0.0078, WIDTH ± 0.0039, THICKNESS ± 0.0019, LENGTH ± 0.078.
 MILLIMETER TOLERANCE UNLESS OTHERWISE SPECIFIED: LOCK ± 0.05, LENGTH ± 1.



ITEM: FIX-S-4.8X380

A B C D E F G

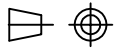
ITEM: FIX-S-4.8X400



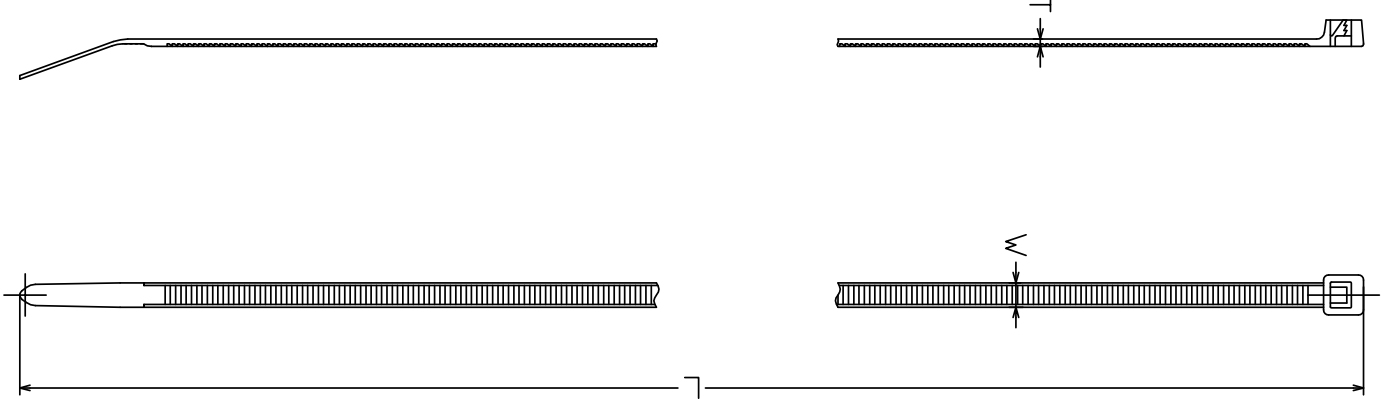
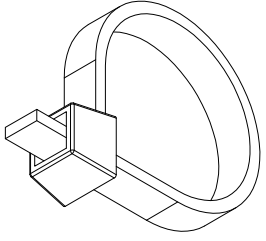
NOTE:

TEMPERATURE RANGE: -40C TO +85C (-40F TO 185F)
 INCH TOLERANCE UNLESS OTHERWISE SPECIFIED: LOCK ±0.0078, WIDTH ±0.0039, THICKNESS ±0.0019, LENGTH ±0.078.
 MILLIMETER TOLERANCE UNLESS OTHERWISE SPECIFIED: LOCK ±0.2, WIDTH ±0.1, THICKNESS ±0.05, LENGTH ±2.

| | |
|--|------------------------|
| MATERIAL: ASCEND PA66 FOR ALL COLOR PRODUCTS | |
| LENGTH: | 400MM (15.75 INCH) |
| WIDTH: | 4.8MM (0.19 INCH) |
| THICKNESS: | 1.2MM (0.047 INCH) |
| TENSILE STR. | 50 LBS (22.2 KGS/222N) |
| Fix & Fasten | |



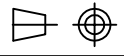
ITEM: FIX-S-4.8X450



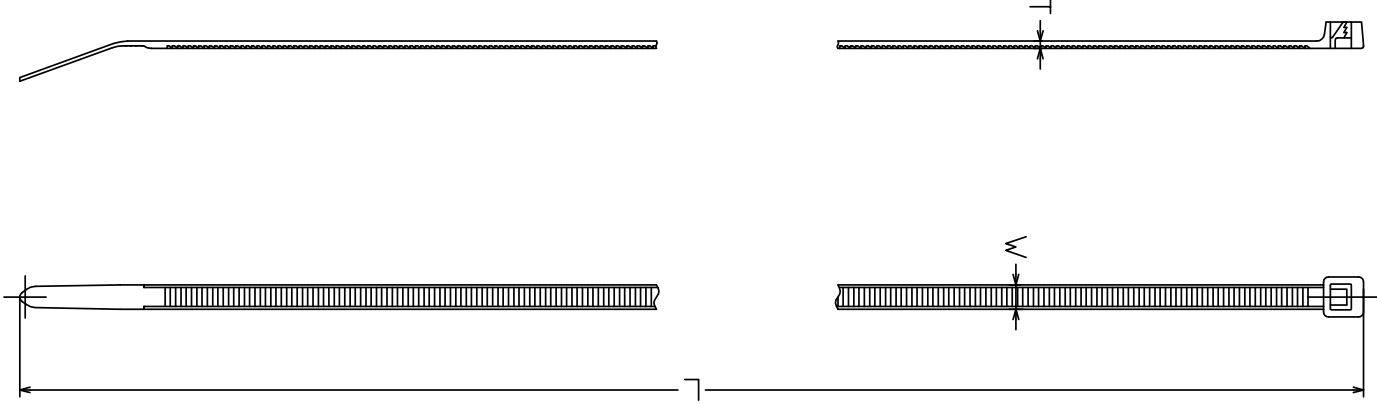
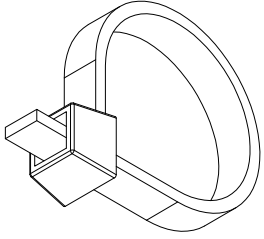
NOTE:

TEMPERATURE RANGE: -40C TO +85C (-40F TO 185F)
 INCH TOLERANCE UNLESS OTHERWISE SPECIFIED: LOCK ±0.0078, WIDTH ±0.0039, THICKNESS ±0.0019, LENGTH ±0.078.
 MILLIMETER TOLERANCE UNLESS OTHERWISE SPECIFIED: LOCK ±0.2, WIDTH ±0.1, THICKNESS ±0.05, LENGTH ±2.

| | |
|--|------------------------|
| MATERIAL: ASCEND PA66 FOR ALL COLOR PRODUCTS | |
| LENGTH: | 450MM (17.72 INCH) |
| WIDTH: | 4.8MM (0.19 INCH) |
| THICKNESS: | 1.2MM (0.047 INCH) |
| TENSILE STR. | 50 LBS (22.2 KGS/222N) |
| Fix & Fasten | |



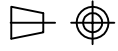
ITEM: FIX-S-4.8X500



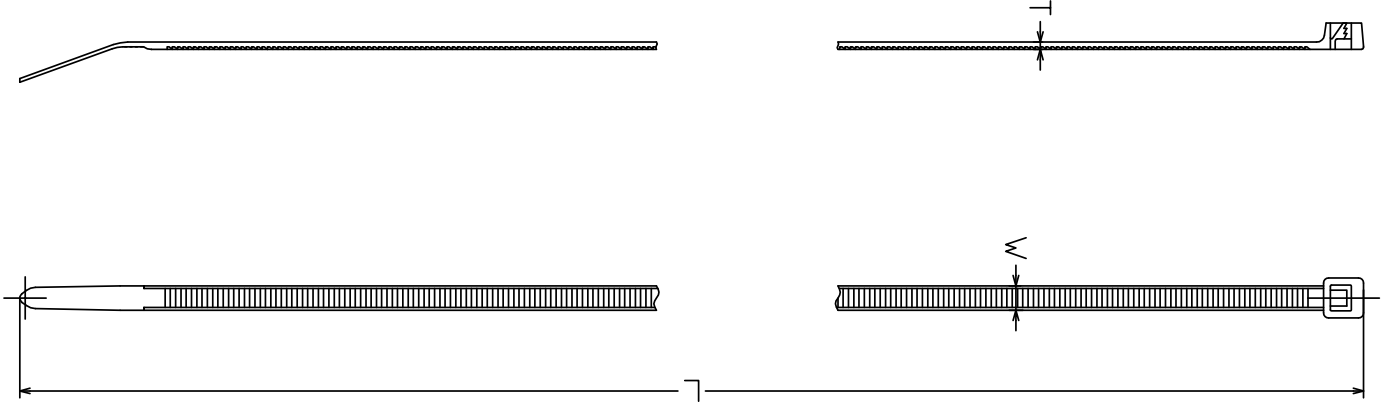
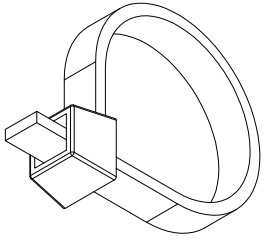
NOTE:

TEMPERATURE RANGE: -40C TO +85C (-40F TO 185F)
 INCH TOLERANCE UNLESS OTHERWISE SPECIFIED: LOCK ± 0.0078, WIDTH ± 0.0039, THICKNESS ± 0.0019, LENGTH ± 0.078.
 MILLIMETER TOLERANCE UNLESS OTHERWISE SPECIFIED: LOCK ± 0.2, WIDTH ± 0.1, THICKNESS ± 0.05, LENGTH ± 2.

| | |
|--|------------------------|
| MATERIAL: ASCEND PA66 FOR ALL COLOR PRODUCTS | |
| LENGTH: | 500MM (19.68 INCH) |
| WIDTH: | 4.8MM (0.19 INCH) |
| THICKNESS: | 1.2MM (0.047 INCH) |
| TENSILE STR. | 50 LBS (22.2 KGS/222N) |
| Fix & Fasten | |



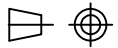
ITEM: FIX-S-4.8X550



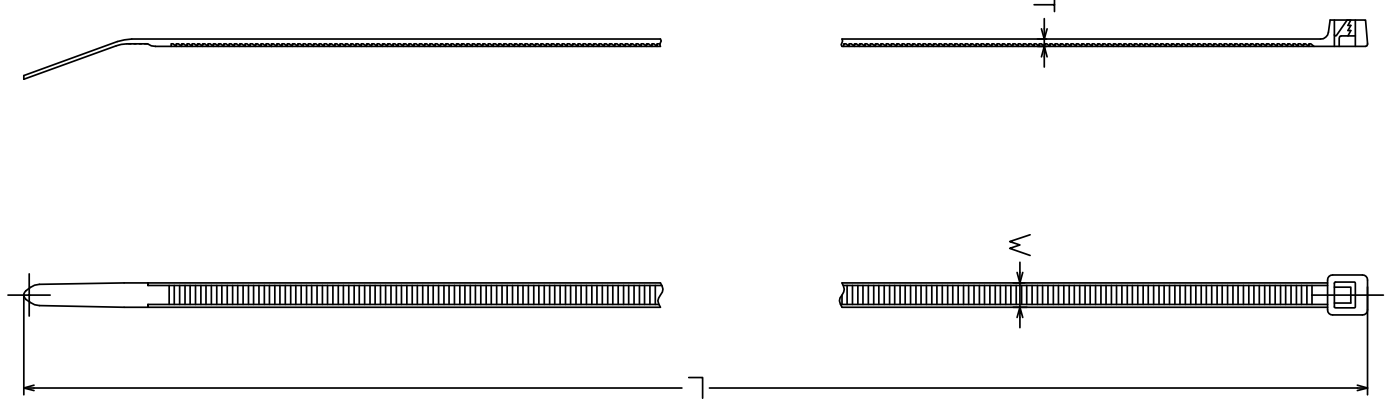
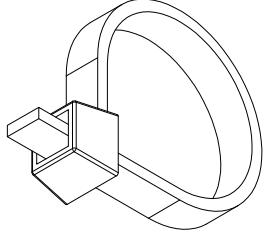
NOTE:

TEMPERATURE RANGE: -40C TO +85C (-40F TO 185F)
 INCH TOLERANCE UNLESS OTHERWISE SPECIFIED: LOCK ±0.0078, WIDTH ±0.0039, THICKNESS ±0.0019, LENGTH ±0.078.
 MILLIMETER TOLERANCE UNLESS OTHERWISE SPECIFIED: LOCK ±0.2, WIDTH ±0.1, THICKNESS ±0.05, LENGTH ±2.

| | |
|--|------------------------|
| MATERIAL: ASCEND PA66 FOR ALL COLOR PRODUCTS | |
| LENGTH: | 550MM (21.65 INCH) |
| WIDTH: | 4.8MM (0.19 INCH) |
| THICKNESS: | 1.2MM (0.047 INCH) |
| TENSILE STR. | 50 LBS (22.2 KGS/222N) |
| Fix & Fasten | |



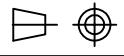
ITEM: FIX-S-4.8X650



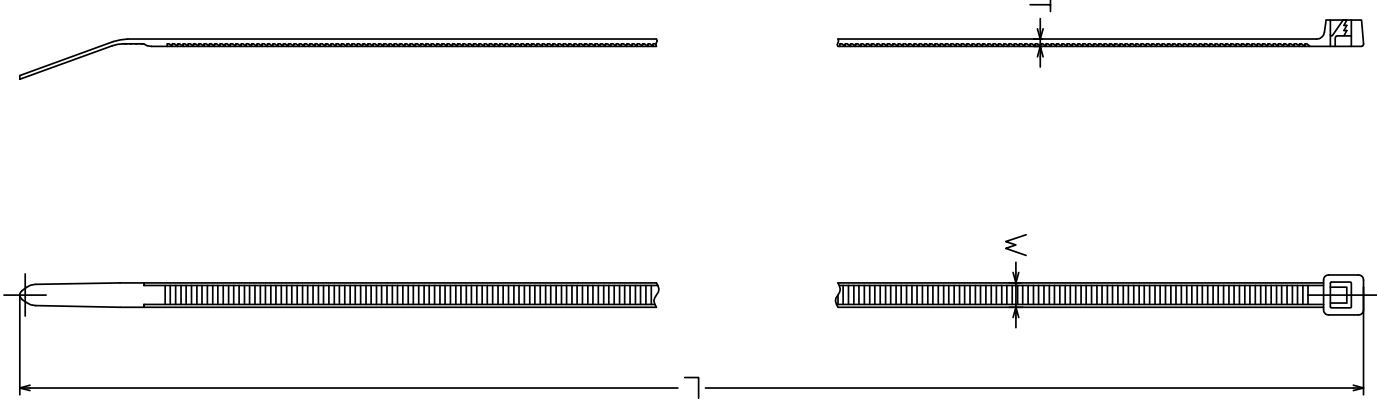
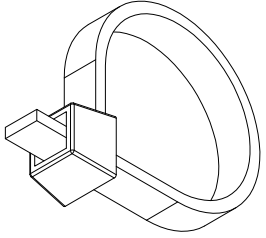
NOTE:

TEMPERATURE RANGE: -40C TO +85C (-40F TO 185F)
 INCH TOLERANCE UNLESS OTHERWISE SPECIFIED: LOCK ± 0.0078, WIDTH ± 0.0039, THICKNESS ± 0.0019, LENGTH ± 0.078.
 MILLIMETER TOLERANCE UNLESS OTHERWISE SPECIFIED: LOCK ± 0.2, WIDTH ± 0.1, THICKNESS ± 0.05, LENGTH ± 2.

| | |
|--|------------------------|
| MATERIAL: ASCEND PA66 FOR ALL COLOR PRODUCTS | |
| LENGTH: | 650MM (25.59 INCH) |
| WIDTH: | 4.8MM (0.19 INCH) |
| THICKNESS: | 1.2MM (0.047 INCH) |
| TENSILE STR. | 50 LBS (22.2 KGS/222N) |
| Fix & Fasten | |



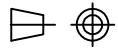
ITEM: FIX-S-4.8X750



NOTE:

TEMPERATURE RANGE: -40C TO +85C (-40F TO 185F)
 INCH TOLERANCE UNLESS OTHERWISE SPECIFIED: LOCK ±0.0078, WIDTH ±0.0039, THICKNESS ±0.0019, LENGTH ±0.078.
 MILLIMETER TOLERANCE UNLESS OTHERWISE SPECIFIED: LOCK ±0.2, WIDTH ±0.1, THICKNESS ±0.05, LENGTH ±2.

| | |
|--|------------------------|
| MATERIAL: ASCEND PA66 FOR ALL COLOR PRODUCTS | |
| LENGTH: | 750MM (29.53 INCH) |
| WIDTH: | 4.8MM (0.19 INCH) |
| THICKNESS: | 1.2MM (0.047 INCH) |
| TENSILE STR. | 50 LBS (22.2 KGS/222N) |
| Fix & Fasten | |



X-ON Electronics

Largest Supplier of Electrical and Electronic Components

Click to view similar products for [Cable Ties](#) category:

Click to view products by [Fix & Fasten](#) manufacturer:

Other Similar products are found below :

[20093-0](#) [SJ-3463](#) [SJ3518FR-1x50](#) [SJ3526N-Beige-2"x50yd](#) [SJ3526N BLACK 58" X 50YD](#) [SJ3571](#) [SJ-3571-1"x50yd-Black](#) [20113-0](#)
[T56137](#) [3-350087-0](#) [CTB75X75BKA-C](#) [3722](#) [561-B110120](#) [561-EZAB580T](#) [561-EZS375B40](#) [561-N3510](#) [561-TA250125](#) [08350-0](#) [08443-0](#)
[08600-0](#) [10035-0](#) [10036-0](#) [10037-0](#) [10325-0](#) [10362-0](#) [10606-0](#) [561-EZ250](#) [561-EZ500](#) [561-EZ625](#) [561-EZ750](#) [561-TA00600](#) [SJ3519FR](#)
[BLACK 1X50](#) [SJ3527N-Beige-2"x50yd](#) [SJ3527N-LOOP-BLACK-1](#) [SJ3572-2"x50yd-Black](#) [157-00039](#) [3719](#) [SJ-3401 BLACK 1"](#) [08445-0](#)
[08582-0](#) [08386-0](#) [10431-0](#) [08359-0](#) [10056-0](#) [10620-0](#) [10345-0](#) [10344-0](#) [08416-0](#) [08384-0](#) [08401-0](#)